

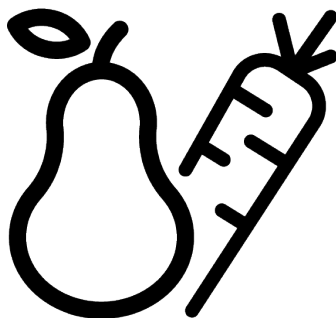
# **Bauknecht**

## **Refrigerator**

User Manual

## **Kühlschrank**

Bedienungsanleitung



DUMMY KSI 9GF2E

11 5943 0116/ EN/ DE/ AA/ 04.10.24 16:39  
7285840015

## Please read this manual first!






### Dear Customer

Thank you for choosing this product. We would like you to achieve the optimal efficiency from this high quality product which has been manufactured with state of the art technology. To do this, carefully read this manual and any other documentation provided before using the product.

Heed all information and warnings in the user manual. This way, you will protect yourself and your product against the dangers that may occur. Keep the user manual. Include this manual with the product if you hand it over to someone else.

If you have any questions or concerns, please call our Customer Service Team or find help and information online at docs.bauknecht.eu

### The following symbols are used in the user manual:

	Hazard that may result in death or injury.
	Important information or useful tips on operation.
NOTICE	A hazard that may cause material damage to the product or its surroundings
 SUPPLIER'S NAME      MODEL IDENTIFIER → (*)  	The model information as stored in the product data base can be reached by entering following website and searching for your model identifier (*) found on energy label. <a href="https://eprel.ec.europa.eu/">https://eprel.ec.europa.eu/</a>

## Table of Contents

<b>1</b>	<b>Safety Instructions</b> .....	<b>4</b>
1.1	Intention of Use .....	4
1.2	Safety of Children, Vulnerable Persons and Pets .....	4
1.3	Electrical Safety.....	5
1.4	Handling Safety .....	6
1.5	Installation Safety.....	6
1.6	Operational Safety.....	9
1.7	Food Storage Safety.....	12
1.8	Maintenance and Cleaning Safety	12
1.9	Lighting .....	13
1.10	Disposal of the Old Product.....	13
<b>2</b>	<b>Environmental Instructions</b> .....	<b>14</b>
2.1	Compliance with the WEEE Dir- ective and Disposing of the Waste Product .....	14
<b>3</b>	<b>Your Refrigerator</b> .....	<b>15</b>
<b>4</b>	<b>Installation</b> .....	<b>15</b>
4.1	Right Place For Installation.....	15
4.2	Electrical Connection .....	16
4.3	Attaching the Plastic Wedges .....	16
4.4	Adjusting the Legs.....	16
4.5	Hot Surface Warning .....	17
<b>5</b>	<b>Changing Door Direction</b> .....	<b>17</b>
<b>6</b>	<b>Preparation</b> .....	<b>17</b>
6.1	What To Do For Energy Saving .....	17
6.2	First Use .....	18
6.3	Climate Class and Definitions .....	18
<b>7</b>	<b>Operating the Product</b> .....	<b>18</b>
<b>8</b>	<b>Use of Your Appliance</b> .....	<b>19</b>
8.1	Setting the Operating Temperat- ure.....	19
8.2	Replacing the Illumination Lamp..	20
<b>9</b>	<b>Maintenance and Cleaning</b> .....	<b>20</b>
<b>10</b>	<b>Troubleshooting</b> .....	<b>21</b>
<b>11</b>	<b>DISCLAIMER / WARNING</b> .....	<b>26</b>

## 1 Safety Instructions

- This section includes the safety instructions necessary to prevent the risk of personal injury or material damage.
- Our company shall not be held responsible for damages that may occur if these instructions are not observed.



Always have installation and repair operations performed by manufacturer, authorized service or a person who will be described by importer company.



Use original spare parts and accessories only.



Do not repair or replace any component of the product unless it is clearly specified in the user manual.



Do not perform any modifications on the product.

### 1.1 Intention of Use

- This product is not suitable for commercial use and should not be used for a purpose other than its intended use.
- This product is intended for operating interiors, such as households or similar.

For example;

In the staff kitchens of the stores, offices and other working environments,

In farm houses,  
In the units of hotels, motels or other resting facilities that are used by the customers,  
In hostels, or similar environments,  
In catering services and similar non-retail applications.

- This product shall not be used in open or enclosed external environments such as vessels, camper vans, balconies or terraces. Exposing the product to rain, snow, sunlight and wind may cause risk of fire.



### 1.2 Safety of Children, Vulnerable Persons and Pets

- This product may be used by children aged 8 years and older and persons with underdeveloped physical, sensory or mental capabilities or lack of experience and knowledge if they are being supervised or have been given instruction concerning use of the appliance in a safe way and the hazards involved.
- Children between 3 and 8 years are allowed to put and take out food into/from the cooler product.

- Children and pets must not play with, climb on, or get inside the product.
- Children and pets must be kept away from the cabin area (compressor) where electrical parts are located.
- Cleaning and user maintenance must not be performed by children unless there is someone overseeing them.
- Keep the packaging materials away from children. Risk of injury and suffocation.
- If there is a lock available on the product's door, keep the key out of children's reach.
- not be bent, crushed, and come into contact with any heat source.
- Use an original cable only. Do not use cut or damaged cables.
- Do not use an extension cord, multi-plug or adaptor to operate your product.
- Portable multi-plugs or portable power supplies may overheat and cause fire. Thus, do not have a multi-plug, portable power sources behind or in the vicinity of the product.
- Before plugging the product into the power source, please remove the power cable from the condenser hook (if available) during the installation.

### 1.3 Electrical Safety

- The product shall not be plugged into the outlet during installation, maintenance, cleaning, repair, and transportation operations.
- If the power cable is damaged, it must be replaced by the person sent by the manufacturer, authorized service provider or the importer to prevent any potential danger.
- Do not tuck the power cable under the product or to the rear of the product. Do not put heavy items on the power cable. The power cable should
- The user should not be able to reach the electrical parts after installation.
- Do not plug the product's power cord in a loose or damaged power outlet. These types of connections may overheat and cause fire.
- The plug shall be easily accessible. If this is not possible, a mechanism that meets the electrical legislation and that disconnects all terminals from the mains (fuse, switch, main switch, etc.) shall be available on the electrical installation.

- The product must not be operated with an external switching device such as a timer, or a remote controlled system.
- Do not use the product when your feet are bare or your body is wet.
- Do not touch the plug with wet hands.
- When unplugging the appliance, don't hold the power cable, but the plug.
- Make sure that the plug is not wet, dirty or dusty.
- Do not ever connect your product to power saving devices. These systems are harmful for the product.

#### 1.4 Handling Safety

- Make sure to unplug the appliance before carrying the product.
- This product is heavy, do not handle it by yourself. Injuries may occur if the product falls on you. Do not bump into places or drop the product while transporting it.
- Always close the doors and do not hold the product by its doors while transporting it.
- Be careful not to damage the cooling system and the pipes while handling the product. Do

not operate the product if the pipes are damaged, and contact an authorized service.

#### 1.5 Installation Safety

- To prepare the product for use, see the information in the user and installation manual and make sure the electric and water utilities are as required. If not, call a qualified electrician and plumber to arrange the utilities as necessary.
- **Failure to do so may result in electric shock, fire, problems with the product, or injury.**
- Before starting the installation, switch off the fuse to de-energise the power line to which the product is connected.
- The product should be installed by two or more people. Use protective gloves while removing the product from the packaging and installation.
- This product is designed for use at a maximum altitude of 2000 metres above sea level.
- Keep children away from installation area.
- Check for any damage on the product before installing it. Do not have the product installed if it is damaged.

- Always use personal protective equipment (gloves, etc.) during product installation, maintenance and repair. Risk of injury.
- Do not install or leave the product in places where it may be exposed to external ambient temperatures.
- Place the product on a clean, level and hard surface and balance it with the adjustable legs (by rotating the front feet to the right or left). Otherwise, the refrigerator may tip over and cause injuries.
- Proceed with care to prevent causing any damage to the floors (tiling etc.) while moving the product. Install the product on a floor, or provide sufficient support depending on the size, weight and the use-case of the product. Ensure that the product is not near a heat source, and all four feet are stable and leaning against the floor. Install the product as necessary, and ensure that it is horizontal, using a bubble level. To ensure the complete efficiency of the refrigerant circuit, wait for at least two hours before operating the product.
- The product shall be installed in a dry and ventilated environment. Do not keep carpets, rugs or similar covers under the product. This may cause risk of fire as a result of inadequate ventilation!
- Do not block or cover ventilation holes. Otherwise, power consumption increases and your product may be damaged.
- Leave sufficient space by the sides and above to ensure adequate ventilation. The gap between the back panel and the wall behind the product must be a minimum of 50mm in order to prevent hot surfaces. Reducing this distance may increase the energy consumption of product.
- When placing the product, make sure that the supply cable is not damaged or pinched.
- The product must not be connected to supply systems and power sources which may cause sudden voltage changes (i.e. a portable solar-energy power source). Otherwise, damage to your product may occur as a result of the abrupt voltage fluctuations!
- The more refrigerant a refrigerator contains, the bigger its installation room shall be. In very small rooms, a flammable gas-air mixture may occur in case of a gas leak in the cooling system. At least 1 m<sup>3</sup> of

volume is required for each 8 grams of refrigerant. The amount of the refrigerant available in your product is specified in the Type Label.

- The product must never be placed in such a way that power cables, the metal hose of the gas stove, metal gas or water pipes come into contact with the product's rear wall (or the condenser).
- The installation place of the product must not be exposed to direct sunlight and it shall not be in the vicinity of a heat source such as stoves, radiators, etc. If you cannot prevent installation of the product in the vicinity of a heat source, use a suitable insulation plate and make sure the minimum distance to the heat source is as specified below:
  - At least 30 cm away from heat sources such as stoves, ovens, heating units and heaters, etc.,
  - And at least 5 cm away from electrical ovens.
- Your product has the protection class of I.
- Plug the product in a grounded socket that conforms with the Voltage, Current and Frequency values specified in the type label. The socket must have a 10A – 16A fuse. Our firm will not assume responsibility for any damages due to usage without earthing and without power connection in compliance with local and national regulations.
- The product's power cable must be unplugged during installation. Otherwise, risk of electric shock and injury may occur!
- Do not plug the product to loose, broken, dirty, greasy sockets or sockets that have come out of their seats or sockets with a risk of water contact. These types of connections may overheat and cause fire..
- Place the power cable and hoses (if any) of the product so that they shall not cause a risk of tripping over.
- Penetration of humidity and liquid to live parts or to the power cord may cause short circuit. Thus, do not use the product in humid environments or in areas where water may splash (e.g. garage, laundry room, etc.) If the refrigerator is wet by water, unplug it and contact an authorized service.



- Do not ever connect your refrigerator to power saving devices. These systems are harmful for the product.
- There is a risk of contact with electrical parts when removing the electronic board cover and the compressor rear cover (if fitted). Do not remove the electronic board cover and the compressor rear cover (if fitted). There is a risk of electrocution!

## 1.6 Operational Safety

- Do not ever use chemical solvents on the product. These materials contain an explosion risk.
  - In case of a failure of the product, unplug it (or de-energise the fuse to which it is connected), and do not operate until it is repaired by the authorized service. There is a risk of electric shock!
  - Do not place flames (lighted candle, cigarette, etc.) or heat sources (iron, hob, oven, etc.) on or near the product. Do not place flammable/explosive materials near the product...
  - Do not get on the product. Risk of falling and injury!
  - Do not cause damage to the pipes of the cooling system using sharp and piercing tools.
- The refrigerant that sprays out in case of puncturing the gas pipes, pipe extensions or upper surface coatings may cause irritation of skin and injury to the eyes.
- Do not intervene in or damage the coolant circuit Risk of explosion.
  - Do not place and operate electrical appliances inside the refrigerator/freezer unless it is advised by the manufacturer.
  - Do not use any procedures other than those recommended by the manufacturer to speed up defrosting.
  - Take due care not to jam any parts of your hands or your body to the moving parts inside the product. Be careful to prevent jamming of your fingers between the refrigerator and its door. Be careful while opening or closing the door if there are children around.
  - Do not put ice cream, ice cubes or frozen food to your mouth as soon as you take them out of the freezer. Risk of frostbite!
  - Do not touch the inner walls, metal parts of the freezer or food kept inside the freezer with wet hands. Risk of frostbite!

- Do not place soda cans or cans and bottles that contain fluids that may be frozen to the freezer compartment. Cans or bottles may explode. Risk of injury and material damage!
- Do not use or place materials sensitive against temperature such as flammable sprays, flammable objects, dry ice or other chemical agents in the vicinity of the refrigerator. Risk of fire and explosion!
- Do not store explosive materials such as aerosol cans with flammable materials inside the product.
- Do not place cans containing fluids over the product an open state. Splashing of water on an electrical part may cause an electric shock or a fire.
- Due to risk of breaking, do not store glass containers with liquid inside in the freezer compartment.
- This product is not intended for storage and cooling of medicines, blood plasma, laboratory preparations or similar materials and products that are subject to the Medical Products Directive.
- If the product is used against its intended purpose, it may cause damage to or deterioration of the products stored inside.
- If your refrigerator is equipped with blue light, do not look at this light with optical devices. Do not stare directly at UV LED light for a long time. Ultraviolet rays may cause eye strain.
- Do not fill the product with more contents than its capacity. Do not use any procedures other than those recommended by the manufacturer to speed up defrosting. Injuries or damages may occur if the contents of the refrigerator fall when the door is opened. Similar problems may also occur when an object is placed over the product.
- Ensure that you have removed any ice or water that may have fallen to the floor to prevent injuries.
- Change the locations of the racks/bottle racks on the door of your refrigerator only when the racks are empty. Danger of injury!
- Do not place objects that may fall/tip over on the product. These objects may fall while

opening or closing the door and cause injuries and/or material damages.

- Do not hit or exert excessive pressure on glass surfaces. Broken glass may cause injuries and/or material damages.
- For products designed to use an air filter inside an accessible fan cover, the filter must always be in position when the refrigerator is in function.
- Do not block out the fan (if available) with food.
- Damaged gaskets should be replaced as soon as possible.
- Your product may have special compartments (Fresh Food Compartment, Zero Degrees Compartment etc.) Unless otherwise stated in the relevant manual of the product, these compartments can be removed, and the product can be used with the same performance.
- The cooling system in your product contains R600a refrigerant. The refrigerant type used in the product is specified in the type label. This gas is flammable. Therefore, be careful not to damage the cooling system and the pipes while operating the product. In case of damage to the pipes;
  1. Do not touch the product or the power cable.
  2. Keep the product away from potential sources of fire that may cause the product to catch fire.
  3. Ventilate the area where the product is placed. Do not use a fan.
  4. Contact Authorized Service.Before disposing of old products that shall not be used any more:
  1. Unplug the power cord from the mains socket.
  2. Cut the power cable and remove it from the appliance together with the plug.
  3. Do not remove the racks and drawers from the product to prevent children from getting inside the appliance.
  4. Remove the doors.
  5. Store the product so that it shall not be tipped over.
  6. Do not allow children to play with the scrapped product.
  7. If the product is damaged and you observe gas leak, please stay away from the gas. Gas may cause frostbite if it contacts your skin.
- Do not dispose of the product by throwing it into fire. Risk of explosion.
- If there is a lock available on the product's door, keep the key out of children's reach.

## 1.7 Food Storage Safety

Please pay attention to the following warnings to avoid food spoilage:

- Leaving the doors open for a long time may cause the temperature inside the product to rise.
- Regularly clean the accessible drainage systems in contact with food.
- Clean the water tanks that have not been used for 48 hours and mains-fed water systems that have not been used for more than 5 days.
- Store raw meat and fish products in appropriate compartments within the product. Thus, it does not drip on or come into contact with other foods.
- Two-star freezer compartments are used for storing pre-filled foods, making and storing ice and ice cream.
- One, two and three-star compartments are not appropriate for freezing fresh food.
- If the cooling product has been left empty for a long time, turn off the product, defrost, clean, and dry the product in order to protect the housing of the product.

- After the foods are placed, check if the compartment hatches, and especially the freezer door, are properly closed.
- Use the refrigerator compartment for storing fresh foods, and the freezer compartment for storing frozen goods, freezing fresh foods and preparing ice cubes.
- Do not store foods without properly sealing them in the refrigerator and the freezer compartments, to prevent direct contact with the inner surfaces.

## 1.8 Maintenance and Cleaning Safety

- Unplug the refrigerator or de-energise the fuse before cleaning it or starting to perform maintenance.
- Do not pull by the door or door handle if you are going to move the product for cleaning purposes. The door may cause injuries if the handle is pulled too hard.
- Do not place hands, feet or metal objects under or behind your product. Jamming may occur or any sharp edge may cause personal injuries.

- Do not wash the inside or outside of the product with a pressure washer, steam, spray water or pouring water. Risk of electric shock and fire.
- When cleaning the product, do not use sharp and abrasive tools or household cleaning agents, detergent, gas, gasoline, thinner, alcohol, varnish, and similar substances. Use only cleaning and maintenance agents that are not harmful for food inside the product.
- Do not use paper towels, kitchen sponges or other hard cleaning materials.
- Do not ever use steam or steamed cleaning materials for cleaning the product and thawing the ice inside it. Steam contacts the live areas in your refrigerator and causes short circuit or electric shock.
- Do not use any mechanical tools or any other tools than the recommendations of the manufacturer to speed up the thawing operation.
- Take care to keep water away from the ventilation holes, electronic circuits or lighting of the product. Otherwise, risk of fire or electric shock may occur.
- Use a clean, dry cloth to wipe the dust or foreign material on the tips of the plugs. Do not use a wet or damp piece of cloth to clean the plug. Otherwise, risk of fire or electric shock may occur.

### **1.9 Lighting**

Contact an authorized service when you shall replace the LED / bulb using for lighting.

### **1.10 Disposal of the Old Product**

When disposing of your old product follow the instructions below:

- To prevent children from accidentally locking themselves into the product, if there is door lock, disable it.
- Splash of coolant is harmful to the eyes. Do not damage any part of the cooling system while disposing of the product.
- It may be fatal if the compressor oil is swallowed or if it penetrates the respiratory tract.
- Cooling system of your product includes R600a gas as specified in the type label. This gas is flammable. Do not dispose of the product by throwing it into fire. Risk of explosion!

- C -Pentane is used as a blowing agent in insulation foam and it is a flammable substance. Do not dispose of the product by throwing it into fire.

## 2 Environmental Instructions

### 2.1 Compliance with the WEEE Directive and Disposing of the Waste Product



This product complies with EU WEEE Directive (2012/19/EU). This product bears a classification symbol for waste electrical and electronic equipment (WEEE).

This symbol indicates that this product shall not be disposed with other household wastes at the end of its service life. Used device must be returned to official collection point for recycling of electrical and electronic devices. To find these collection systems please contact to your local authorities or retailer where the product was purchased. Each household performs important role in recovering and recycling of old appliance. Appropriate disposal of used appliance helps prevent potential negative consequences for the environment and human health.

### Compliance with RoHS Directive

The product you have purchased complies with EU RoHS Directive (2011/65/EU). It does not contain harmful and prohibited materials specified in the Directive.



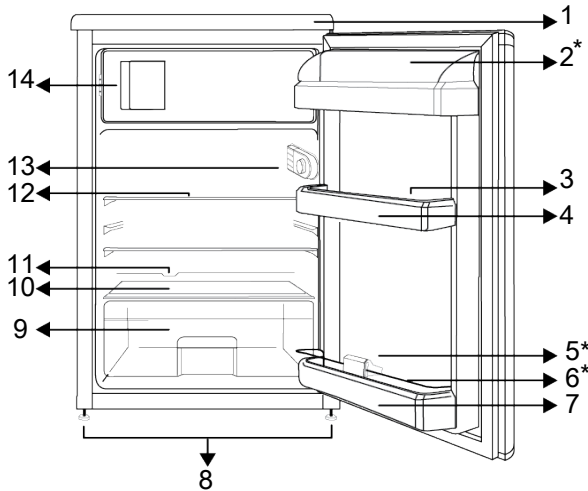
#### Package information

Packaging materials of the product are manufactured from recyclable materials in accordance with our National Environment Regulations. Do not dispose of the packaging materials together with the domestic or other wastes. Take them to the packaging material collection points designated by the local authorities.



#### Conformity with standards and test information / Declaration of EC conformity

Development, manufacture and sales stages of this product conform to the safety rules in all relevant guidelines of the European Community. 2014/35/EU, 2014/30/EU, 93/68/EC, IEC 60436/DIN 44990, EN 50242



- |  |                                  |
|--|----------------------------------|
| 1 Fixed Upper Tray                           | 2 *Butter and Cheese Compartment |
| 3 Egg holder                                 | 4 Door Shelf                     |
| 5 *Bottle Holder                             | 6 *Safety Visor                  |
| 7 Bottle Shelf                               | 8 Adjustable Legs                |
| 9 Crisper                                    | 10 Crisper Cover Glass           |
| 11 Defrost Water Collection Channel-Drainage | 12 Glass Rack                    |
| 13 Thermostat Knob                           | 14 Freezer Compartment           |

**\*Optional:** Figures in this user manual are schematic and may not exactly match your product. If your product does not comprise the relevant parts, the information pertains

to other models. Please inquire with the seller whether this is applicable to your model.

### 4 Installation



Read the "Safety Instructions" section first!

#### 4.1 Right Place For Installation

Contact the Authorized Service for the product's installation. To prepare the product for installation, see the information in the user manual and make sure the electric and water utilities are as required. If not, call an electrician and plumber to arrange the utilities as necessary.



**WARNING:**

The manufacturer assumes no responsibility for any damages caused by the work carried out by unauthorized persons.



**WARNING:**

The product's power cable must be unplugged during installation. Failure to do so may result in death or serious injuries!

**WARNING:**

If the door span is too narrow for the product to pass, remove the door and turn the product side-ways; if this does not work, contact the authorized service.

- Place the product on a flat surface to avoid vibration.
- Place the product at least 30 cm away from the heater, stove and similar sources of heat and at least 5 cm away from electric ovens.
- Do not expose the product to direct sunlight or keep it in damp environments.
- Do not install the product in environments with temperatures below -5 °C.
- Your product requires adequate air circulation to function efficiently. If the product will be placed in an alcove, remember to leave at least 5 cm clearance between the product and the ceiling, rear wall and the side walls.
- Check if the rear wall clearance protection component is present at its location (if provided with the product).
- If the component is not available, or if it is lost or fallen, position the product so that at least 5 cm clearance shall be left between the rear surface of the product and the wall of the room. The clearance at the rear is important for efficient operation of the product.

## 4.2 Electrical Connection



Do not use extension cables or multi sockets in power connection.



Damaged power cable must be replaced by Authorized Service.



When placing two coolers in adjacent position, leave at least 4 cm distance between the two units.



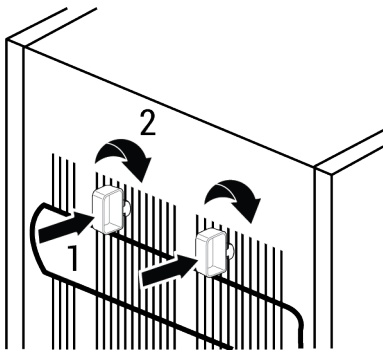
Before transport or use, never open the control board cover on the product. Risk of electric shock and fire!

- Our firm will not assume responsibility for any damages due to usage without earthing and without power connection in compliance with national regulations.
- The power cable plug must be easily accessible after installation.
- Do not use multi-group plug with or without extension cable between the wall socket and the refrigerator.

## 4.3 Attaching the Plastic Wedges

Use the plastic wedges provided with the product to maintain sufficient space for air circulation between the product and the wall. Mount 2 pieces of plastic wedges as shown in the following figure.

(The indicated picture is drawn representatively, it is not completely same as your product.)



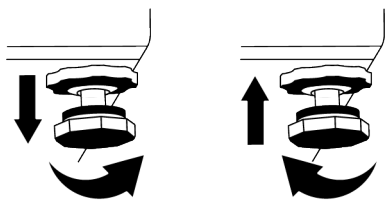
## 4.4 Adjusting the Legs

If the product is not in balanced position, adjust the front adjustable legs by rotating them to right or left.



When doing so, pay attention not to jam your hand between the product and the ground or between the product and the adjusted leg. Danger of injury!

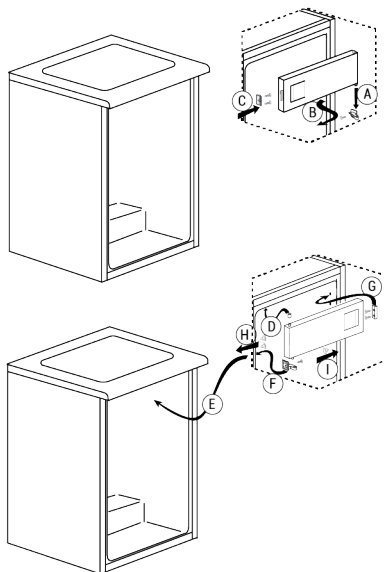
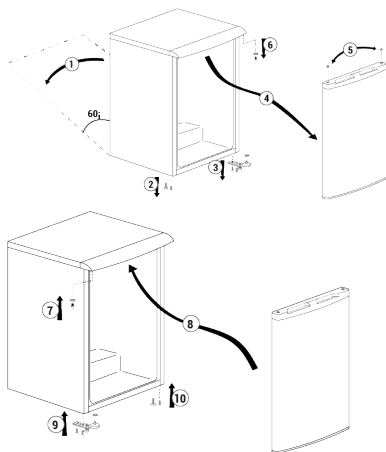




## 4.5 Hot Surface Warning

The side walls of your product are equipped with cooler pipes to enhance the cooling system. High pressure fluid may flow through these surfaces, and cause hot surfaces on the side walls. This is normal and it does not require servicing. Be careful when you contact these areas.

## 5 Changing Door Direction



## 6 Preparation



Read the "Safety Instructions" section first!

### 6.1 What To Do For Energy Saving



Connecting the product to electronic energy-saving systems is harmful, as it may damage the product.

- This refrigerating appliance is not intended to be used as a built in appliance.
- Do not keep the refrigerator doors open for long periods.
- Do not place hot food or beverages into the refrigerator.

- Do not overfill the refrigerator; blocking the internal air flow will reduce cooling capacity.
- Since hot and humid air will not directly penetrate into your product when the doors are not opened, your product will optimize itself in conditions sufficient to protect your food. Under these circumstances, functions and components such as compressor, fan, heater, defrost, lighting, display and so on will operate according to the needs by consuming minimum energy.

- In case that multiple options are present, glass shelves must be placed so that the air outlets at the rear wall are not blocked and preferably, in a way that air outlets remain below the glass shelf. This combination may help improving air distribution and energy efficiency.
- Food shall be stored using the drawers in the cooler compartment in order to ensure energy saving and protect food in better conditions.



It is normal for the front edges of the refrigerator to be warm. These areas are designed to warm up in order to prevent condensation.



For some models, indicator panel turns off automatically 1 minute after the door closes. It will be re-activated when the door is opened or any button is pressed.

## 6.2 First Use

Before using your refrigerator, make sure the necessary preparations are made in line with the instructions in "Safety and Environmental Instructions" and "Installation" sections.

- Wait for at least 2 hours before operating the product, to ensure the complete efficiency of refrigeration.
- Keep the product running without placing any food inside for 6 hours and do not open the door, unless absolutely necessary.
- The temperature change caused by opening and closing of the door while using the product may normally lead to condensation on door/body shelves and glassware placed in the product.



A sound will be heard when the compressor is engaged. It is normal for the product to make noise even if the compressor is not running, as fluid and gas may be compressed in the cooling system.

## 7 Operating the Product



Read the "Safety Instructions" section first!

- Do not use any mechanical tools or any other tools than the recommendations of the manufacturer to speed up the defrost operation.

## 6.3 Climate Class and Definitions

Please refer to the Climate Class on the rating plate of your device. One of the following information is applicable to your device according to the Climate Class.

- **SN:** Long Term Temperate Climate: This cooling device is designed for use at ambient temperatures between 10 °C and 32 °C.
- **N:** Temperate Climate: This cooling device is designed for use at ambient temperatures between 16°C and 32 °C.
- **ST:** Subtropical Climate: This cooling device is designed for use at ambient temperatures between 16°C and 38°C.
- **T:** Tropical Climate: This cooling device is designed for use at ambient temperatures between 16°C and 43°C.

- Turn off the water valve if you will be away from home (e.g. at vacation) and you will not be using the Icematic or the water dispenser for a long period of time. Otherwise, water leaks may occur.

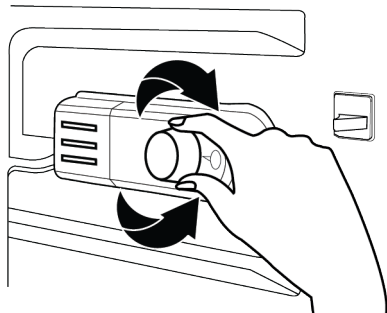
## Unplugging the Product

- If you are not going to use the product for a long time, unplug the product from the socket.
- Remove the food to prevent odours,
- Wait for the ice to melt, clean the interior and let it dry, leave the doors open to avoid damaging the inner body plastics.

## 8 Use of Your Appliance

### 8.1 Setting the Operating Temperature

The operating temperature is set by the temperature control.



Warm ← ● 1 ● 2 ● 3 ● 4 ● 5 → Cold  
(Or) Min. Max.

**1=Lowest cooling setting (Warmest setting)**

**5=Highest cooling setting (Coldest setting)**

or

**Min. = Lowest cooling setting**  
(Warmest setting)

**Max. = Highest cooling setting**  
(Coldest setting)

The average temperature inside the cooler compartment should be around +5°C.

Please select a setting based on the desired temperature.

Please note that there will be different temperatures in the cooling area.

The coldest zone is just above the crisper.

The internal temperature also depends on the ambient temperature, the frequency with which the door is opened and the amount of food stored inside.

Frequent opening of the door causes the internal temperature to rise.

It is therefore recommended to close the door as soon as possible after use.

### Use of interior compartments

**Movable shelves:** The distance between the shelves can be adjusted as required.

**Vegetable drawer:** In this compartment, vegetables and fruit can be stored for a long time without spoiling.

**Bottle shelf:** Bottles, jars and cans can be placed on these shelves.

### Food storage

The refrigerator compartment is intended for short-term storage of fresh food and drinks.

Store dairy products in the designated compartment of the refrigerator.

Bottles can be stored in the bottle holder or on the bottle shelf in the door.

Raw meat is best stored in a polyethylene bag in the lowest compartment of the refrigerator.

Allow hot food and drinks to cool to room temperature before placing them in the refrigerator.

### • Caution:

Store concentrated alcohol only upright and tightly closed.

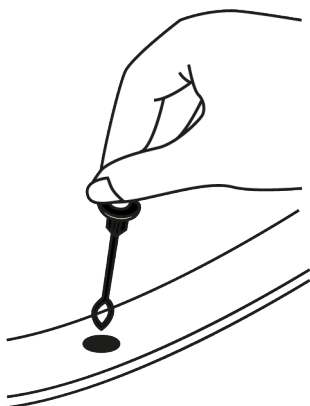
• **Caution:**

Do not store explosive substances or containers with flammable propellants (cans, spray cans, etc.) in the unit. Risk of explosion.

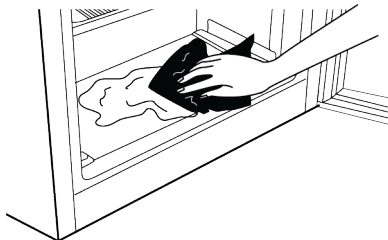
**Defrosting**

Defrosting of the refrigerator compartment is done automatically. The defrosted water flows through the drain channel into a collection container at the back of the appliance.

During defrosting, water drops form at the back of the refrigerator due to the evaporator.



If the drops do not all flow downwards, they may freeze again after defrosting. Clean them with a cloth soaked in warm water, but never with a hard or sharp object.



**8.2 Replacing the Illumination Lamp**

Call the Authorized Service when the Bulb/LED used for lighting in your refrigerator will be replaced.

Lamp(s) used in this appliance cannot be used for house lighting. Intended use of this lamp is to help the user place food into the refrigerator / freezer safely and comfortably.

**9 Maintenance and Cleaning**



**WARNING:**

Read the "Safety Instructions" section first.



**WARNING:**

Before cleaning your refrigerator, unplug it or de-energize the fuse to which it is connected.



Do not place your hands, feet or metal objects under the refrigerator or between the refrigerator and the floor for whatsoever reason. Jamming may occur or any sharp edge may cause personal injuries.

- Do not use sharp or abrasive tools to clean the product. Do not use materials such as household cleaning agents, soap, detergents, gas, gasoline, thinner, alcohol, wax, etc.
- The dust shall be removed from the ventilation grill on the rear of the product at least once a year (without opening the cover). Clean the product with a dry cloth.
- Take care to keep water away from the lamp's cover and other electrical parts.
- Clean the door with a damp cloth. Remove all contents to remove the door and body racks. Remove the door racks by lifting them upwards. Clean and dry the shelves, then attach back in place by sliding from above.

- Do not use chlorinated water or cleaning products on the exterior surface and chrome coated parts of the product. Chlorine will cause rust on such metallic surfaces.
- Do not use sharp and abrasive tools, soap, house cleaning materials, detergents, gas, gasoline, varnish and similar substances to prevent deformation of and removal of prints on the plastic part. Use warm water and a soft cloth for cleaning, and then dry it.
- On the products without a No-Frost feature, water droplets and icing up to a thickness of a finger may occur on the rear wall of the cooler compartment. Do not clean, and never apply oils or similar materials.
- Use only a mildly dampened micro-fibre cloth to clean the external surface of the product. Sponges and other types of cleaning clothes may cause scratches.
- To clean all removable components during the cleaning of the interior surface of the product, wash these components with a mild solution consisting of soap, water and carbonate. Wash and dry thoroughly. Prevent contact of water with illumination components and the control panel.

**ATTENTION:**

Do not use vinegar, rubbing alcohol or other alcohol based cleaning agents on any interior surface.

**Stainless Steel External Surfaces**

Use a non-abrasive stainless steel cleaning agent and apply it with a soft lint-free cloth. To polish, gently wipe the surface with a micro-fibre cloth dampened with water and use dry polishing chamois. Always follow the veins of the stainless steel.

**Preventing Odours**

The product is manufactured free of any odorous materials. However, inappropriately storing food and improper cleaning of internal surfaces may lead to odours.

- To avoid this, clean the inside with carbonated water every 15 days.
- Keep the foods in sealed holders, as micro-organisms arising from foods kept in unsealed containers will cause bad odour.
- Do not keep expired and spoilt foods in the refrigerator.

**Protecting Plastic Surfaces**

Oil spilled on plastic surfaces may damage the surface and must be cleaned immediately with warm water.

## 10 Troubleshooting



Read the "Safety Instructions" section first!

Check this list before contacting the service. Doing so will save you time and money. This list includes frequent complaints that are not related to faulty workmanship or materials. Certain features mentioned herein may not apply to your product.

**ATTENTION:** If the problem persists after following the instructions in this section, contact your vendor or an Authorized Service. Do not try to repair the product.

**The refrigerator is not working.**

- The power plug is not fully settled. >>> Plug it in to settle completely into the socket.
- The fuse connected to the socket powering the product or the main fuse is blown. >>> Check the fuse.

**Condensation on the side wall of the cooler compartment (MULTI ZONE, COOL CONTROL and FLEXI ZONE).**

- The door is opened too frequently. >>> Take care not to open the product's door too frequently.
- The environment is too humid. >>> Do not install the product in humid environments.

- Foods containing liquids are kept in unsealed holders. >>> Keep the foods containing liquids in sealed holders.
- The product's door is left open. >>> Do not keep the product's door open for long periods.
- The thermostat is set to a very cool temperature. >>> Set the thermostat to an appropriate temperature.

#### **Compressor is not working.**

- In case of sudden power failure or pulling the power plug off and putting back on, the gas pressure in the product's cooling system is not balanced, which triggers the compressor thermic safeguard. The product will restart after approximately 6 minutes. If the product does not restart after this period, contact the service.
- Defrosting is active. >>> This is normal for a fully-automatic defrosting product. The defrosting is carried out periodically.
- The product is not plugged in. >>> Make sure the power cord is plugged in.
- The temperature setting is incorrect. >>> Select the appropriate temperature setting.
- The power is out. >>> The product will continue to operate normally once the power is restored.

#### **The refrigerator's operating noise is increasing while in use.**

- The product's operating performance may vary depending on the ambient temperature variations. This is normal and not a malfunction.

#### **The refrigerator runs too often or for too long.**

- The new product may be larger than the previous one. Larger products will run for longer periods.
- The room temperature may be high. >>> The product will normally run for long periods in higher room temperature.
- The product may have been recently plugged in or a new food item is placed inside. >>> The product will take longer to

reach the set temperature when recently plugged in or a new food item is placed inside. This is normal.

- Large quantities of hot food may have been recently placed into the product. >>> Do not place hot food into the product.
- The doors were opened frequently or kept open for long periods. >>> The warm air moving inside will cause the product to run longer. Do not open the doors too frequently.
- The freezer or cooler door may be ajar. >>> Check that the doors are fully closed.
- The product may be set to a temperature that is too low. >>> Set the temperature to a higher degree and wait for the product to reach the adjusted temperature.
- The cooler or freezer door washer may be dirty, worn out, broken or not properly settled. >>> Clean or replace the gasket. Damaged / torn door washer will cause the product to run for longer periods to preserve the current temperature.

#### **The freezer temperature is very low, but the cooler temperature is adequate.**

- The freezer compartment temperature is set to a very low degree. >>> Set the freezer compartment temperature to a higher degree and check again.

#### **The cooler temperature is very low, but the freezer temperature is adequate.**

- The cooler compartment temperature is set to a very low degree. >>> Set the cooler compartment temperature to a higher degree and check again.

#### **The food items kept in cooler compartment drawers are frozen.**

- The cooler compartment temperature is set to a very low degree. >>> Set the cooler compartment temperature to a higher degree and check again.

#### **The temperature in the cooler or the freezer is too high.**

- The cooler compartment temperature is set to a very high degree. >>> Temperature setting of the cooler compartment

has an effect on the temperature in the freezer compartment. Wait until the temperature of relevant parts reach the sufficient level by changing the temperature of cooler or freezer compartments.

- The doors were opened frequently or kept open for long periods. >>> Do not open the doors too frequently.
- The door may be ajar. >>> Fully close the door.
- The product may have been recently plugged in or a new food item is placed inside. >>> This is normal. The product will take longer to reach the set temperature when recently plugged in or a new food item is placed inside.
- Large quantities of hot food may have been recently placed into the product. >>> Do not place hot food into the product.

#### **Shaking or noise.**

- The surface is not flat or durable >>> If the product is shaking when moved slowly, adjust the stands to balance the product. Also make sure the ground is sufficiently durable to bear the product.
- Any items placed on the product may cause noise. >>> Remove any items placed on the product.
- The product is making noise of liquid flowing, spraying etc.
- The product's operating principles involve liquid and gas flows. >>> This is normal and not a malfunction.

#### **There is sound of wind blowing coming from the product.**

- The product uses a fan for the cooling process. This is normal and not a malfunction.

#### **There is condensation on the product's internal walls.**

- Hot or humid weather will increase icing and condensation. This is normal and not a malfunction.
- The doors were opened frequently or kept open for long periods. >>> Do not open the doors too frequently; if open, close the door.

- The door may be ajar. >>> Fully close the door.

#### **There is condensation on the product's exterior or between the doors.**

- The ambient weather may be humid, this is quite normal in humid weather. >>> The condensation will dissipate when the humidity is reduced.

#### **The interior smells bad.**

- The product is not cleaned regularly. >>> Clean the interior regularly using sponge, warm water and carbonated water.
- Certain holders and packaging materials may cause odour. >>> Use holders and packaging materials without free of odour.
- The foods were placed in unsealed holders. >>> Keep the foods in sealed holders. Micro-organisms may spread out of unsealed food items and cause bad odour.
- Remove any expired or spoiled foods from the product.

#### **The door is not closing.**

- Food packages may be blocking the door. >>> Relocate any items blocking the doors.
- The product is not standing in full upright position on the ground. >>> Adjust the stands to balance the product.
- The surface is not flat or durable >>> Make sure the surface is flat and sufficiently durable to bear the product.

#### **The crisper is jammed.**

- The food items may be in contact with the upper section of the drawer. >>> Reorganize the food items in the drawer.

#### **Temperature on the product surface.**

- High temperature may be observed between two doors, on the side panels and on the rear grill area while your product is operated. This is normal and it does not require servicing.

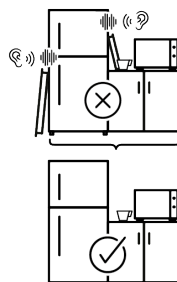
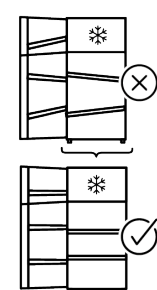
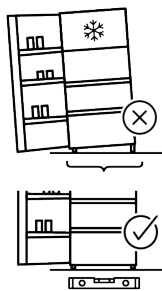
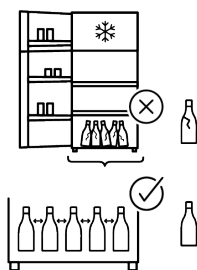
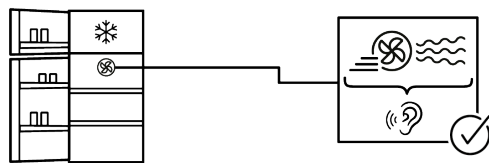
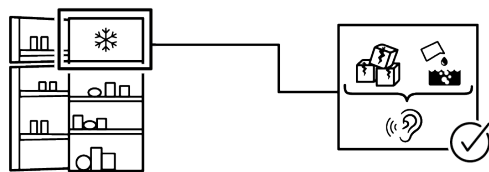
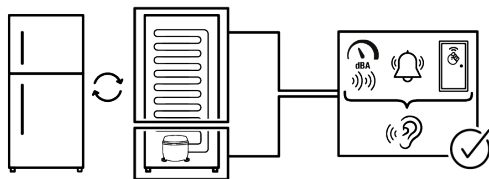
#### **Fan continues to operate when the door is opened.**

- Fan may continue to operate when the freezer door is open.



**WARNING:** If the problem persists after following the instructions in this section, contact your vendor or an Authorized Service. Do not try to repair the product. This is normal.





## 11 DISCLAIMER / WARNING

Some (simple) failures can be adequately handled by the end-user without any safety issue or unsafe use arising, provided that they are carried out within the limits and in accordance with the following instructions (see the "Self-Repair" section).

Therefore, unless otherwise authorized in the "Self-Repair" section below, repairs shall be addressed to registered professional repairers in order to avoid safety issues. A registered Professional repairer is a professional repairer that has been granted access to the instructions and spare parts list of this product by the manufacturer according to the methods described in legislative acts pursuant to Directive 2009/125/EC.

**However, only the service agent (i.e. authorized professional repairers) that you can reach through the phone number given in the user manual/warranty card or through your authorized dealer may provide service under the guarantee terms. Therefore, please be advised that repairs by professional repairers (who are not authorized by) Bauknecht shall void the guarantee.**

### Self-Repair

Self-repair can be done by the end-user with regard to the following spare parts: door handles, door hinges, trays, baskets and door gaskets (an updated list is also available parts-selfservice.europeanappliances.com as of 1st March 2021).

Moreover, to ensure product safety and to prevent risk of serious injury, the mentioned self-repair shall be done following the instructions in the user manual for self-repair or which are available in parts-selfservice.europeanappliances.com. For your safety, unplug the product before attempting any self-repair.

Repair and repair attempts by end-users for parts not included in such list and/or not following the instructions in the user manuals for self-repair or which are available in

parts-selfservice.europeanappliances.com, might give rise to safety issues not attributable to Bauknecht, and will void the warranty of the product.

Therefore, it is highly recommended that end-users refrain from the attempt to carry out repairs falling outside the mentioned list of spare parts, contacting in such cases authorized professional repairers or registered professional repairers. On the contrary, such attempts by end-users may cause safety issues and damage the product and subsequently cause fire, flood, electrocution and serious personal injury to occur.

By way of example, but not limited to, the following repairs must be addressed to authorized professional repairers or registered professional repairers: compressor, cooling circuit, main board, inverter board, display board, etc.

The manufacturer/seller cannot be held liable in any case where end-users do not comply with the above.

The spare part availability of the refrigerator that you purchased is 10 years. During this period, original spare parts will be available to operate the refrigerator properly. The minimum duration of guarantee of the refrigerator that you purchased is 24 months.

This product is equipped with a lighting source of the "G" energy class.

The lighting source in this product shall only be replaced by Professional repairer.

See also

- 2 DISCLAIMER / WARNING [} 26]








# Bitte lesen Sie zunächst dieses Handbuch

## Lieber Kunde,

Vielen Dank, dass Sie sich für dieses Produkt entschieden haben. Wir möchten, dass Sie mit diesem hochwertigen Produkt, das mit modernster Technologie hergestellt wurde, die optimale Effizienz erzielen. Lesen Sie daher vor der Verwendung des Produkts diese Bedienungsanleitung und alle anderen mitgelieferten Unterlagen sorgfältig durch.

Beachten Sie alle Informationen und Warnungen im Bedienungsanleitung. Auf diese Weise schützen Sie sich und Ihr Produkt vor den Gefahren, die auftreten können. Bewahren Sie das Bedienungsanleitung auf. Fügen Sie diese Anleitung dem Produkt bei, wenn Sie sie an eine andere Person übergeben.

## In dieser Bedienungsanleitung werden folgende Symbole verwendet:

	Gefahr, die zum Tod oder zu Verletzungen führen kann.
	Wichtige Informationen oder nützliche Tipps zur Bedienung.
HINWEIS	Gefahr, die zu Materialschäden am Produkt oder seiner Umgebung führen kann
 SUPPLIER'S NAME      MODEL IDENTIFIER → (*)	Die in der Produktdatenbank gespeicherten Modellinformationen können über die folgende Website und die Suche nach Ihrer Modellkennung (*) auf dem Energieetikett abgerufen werden. <a href="https://eprel.ec.europa.eu/">https://eprel.ec.europa.eu/</a>
	

# Inhaltsverzeichnis

<b>1</b>	<b>Sicherheitshinweise</b> .....	<b>30</b>
1.1	Verwendungszweck .....	30
1.2	Sicherheit von Kindern, gefährdeten Personen und Haustieren .....	30
1.3	Elektrische Sicherheit .....	31
1.4	Handhabungssicherheit .....	32
1.5	Montagesicherheit .....	33
1.6	Betriebssicherheit .....	36
1.7	Sicherheit bei der Lagerung von Lebensmitteln .....	39
1.8	Wartungs- und Reinigungssicherheit .....	40
1.9	Beleuchtung .....	41
1.10	Entsorgung des alten Produkts ....	41
<b>2</b>	<b>Umwelthinweise</b> .....	<b>42</b>
2.1	Informationen zur Entsorgung:.....	42
<b>3</b>	<b>Ihr Kühlschrank</b> .....	<b>44</b>
<b>4</b>	<b>Aufstellung</b> .....	<b>44</b>
4.1	Richtiger Ort für die Installation....	44
4.2	Elektrischer Anschluss .....	45
4.3	Anbringen der Kunststoffkeile .....	45
4.4	Einstellen der Füße .....	46
4.5	Warnung vor heißer Oberfläche!...	46
<b>5</b>	<b>Ändern der Türrichtung</b> .....	<b>46</b>
<b>6</b>	<b>Vorbereitung</b> .....	<b>47</b>
6.1	Was man zum Energiesparen tun kann .....	47
6.2	Erste Verwendung .....	47
6.3	Klimaklasse und Definitionen .....	47
<b>7</b>	<b>Produktbedienung</b> .....	<b>48</b>
<b>8</b>	<b>Verwendung des Geräts</b> .....	<b>48</b>
8.1	Einstellung der Betriebstemperatur .....	48
8.2	Auswechseln der Beleuchtungslampe .....	49
<b>9</b>	<b>Wartung und Reinigung</b> .....	<b>50</b>
<b>10</b>	<b>Fehlerbehebung</b> .....	<b>51</b>
<b>11</b>	<b>HAFTUNGSAUSSCHLUSS / WARNUNG</b> .....	<b>56</b>

## 1 Sicherheitshinweise

- Dieser Abschnitt enthält die notwendigen Sicherheitshinweise, um die Gefahr von Personen- und Sachschäden zu vermeiden.
- Unser Unternehmen haftet nicht für Schäden, die bei Nichtbeachtung dieser Anweisungen entstehen können.



Lassen Sie Montage- und Reparaturarbeiten immer vom Hersteller, einem autorisierten Kundendienst oder einer Person, die von der einführenden Firma beschrieben wird, durchführen.



Verwenden Sie nur Originalersatzteile und Zubehör.



Reparieren oder ersetzen Sie keine Komponenten des Produkts, wenn dies nicht eindeutig in der Bedienungsanleitung angegeben ist.



Nehmen Sie keine Änderungen am Produkt vor.

### 1.1 Verwendungszweck

- Dieses Produkt ist nicht für den kommerziellen Gebrauch geeignet und sollte nicht für einen anderen als den vorgesehenen Zweck verwendet werden.

- Dieses Produkt ist für den Betrieb in Innenräumen, wie z.B. in Haushalten oder ähnlichem, vorgesehen.

Zum Beispiel;

In den Personalküchen von Geschäften, Büros und anderen Arbeitsumgebungen,

In Bauernhöfen,

In den Räumen von Hotels, Motels oder anderen Erholungseinrichtungen, die von Kunden genutzt werden,

In Herbergen oder ähnlichen Umgebungen,

In Catering-Diensten und ähnlichen Anwendungen außerhalb des Einzelhandels.

- Dieses Produkt darf nicht in offenen oder geschlossenen Außenbereichen wie Schiffen, Wohnmobile, Balkonen oder Terrassen verwendet werden. Wenn das Produkt Regen, Schnee, Sonnenlicht und Wind ausgesetzt wird, besteht Brandgefahr.

### 1.2 Sicherheit von Kindern, gefährdeten Personen und Haustieren

- Dieses Produkt kann von Kindern ab 8 Jahren und Personen mit unterentwickelten kör-

perlichen, sensorischen oder geistigen Fähigkeiten oder mangelnder Erfahrung und Kenntnis verwendet werden, wenn sie beaufsichtigt werden oder eine Einweisung in den sicheren Gebrauch des Geräts und die damit verbundenen Gefahren erhalten haben.

- Kinder zwischen 3 und 8 Jahren dürfen Lebensmittel in das Kühlerprodukt einlegen und aus ihr entnehmen.
- Kinder und Haustiere dürfen nicht mit dem Produkt spielen, darauf herumklettern oder in das Innere des Produkts gelangen.
- Kinder und Haustiere müssen vom Kabinenbereich (Kompressor), in dem sich elektrische Teile befinden, ferngehalten werden.
- Reinigung und Benutzerwartung darf nicht von Kindern durchgeführt werden, es sei denn, sie werden von jemandem beaufsichtigt.
- Halten Sie Verpackungsmaterialien von Kindern fern! Es besteht Verletzungs- und Erstickengefahr.
- Wenn ein Schloss an der Tür des Geräts vorhanden ist, bewahren Sie den Schlüssel außerhalb der Reichweite von Kindern auf.



### 1.3 Elektrische Sicherheit

- Das Gerät darf während der Installation, Wartung, Reinigung, Reparatur und des Transports nicht an die Steckdose angeschlossen werden.
- Wenn das Netzkabel beschädigt ist, muss es von der vom Hersteller, einem autorisierten Dienstleister oder dem Importeur beauftragten Person ausgetauscht werden, um eine mögliche Gefahr zu vermeiden.
- Verlegen Sie das Netzkabel nicht unter dem Gerät oder an der Rückseite des Geräts. Stellen Sie keine schweren Gegenstände auf das Netzkabel. Das Netzkabel darf nicht geknickt oder gequetscht werden und nicht mit einer Wärmequelle in Berührung kommen.
- Verwenden Sie nur ein Originalkabel. Verwenden Sie keine abgeschnittenen oder beschädigten Kabel.
- Verwenden Sie keine Verlängerungskabel, Mehrfachsteckdosen oder Adapter, um Ihr Gerät zu betreiben.
- Tragbare Mehrfachsteckdosen oder tragbare Netzteile können sich überhitzen und einen Brand verursachen. Stellen Sie daher keine tragbaren Strom-

quellen mit Mehrfachsteckdosen hinter oder in der Nähe des Geräts auf.

- Bevor Sie das Gerät an das Stromnetz anschließen, nehmen Sie bitte während der Installation das Netzkabel aus der Kondensatorhalterung (sofern vorhanden) heraus.
- Der Benutzer sollte nicht in der Lage sein, nach erfolgter Installation die Elektroteile zu erreichen.
- Schließen Sie das Netzkabel des Geräts nicht an eine lose oder beschädigte Steckdose an. Derartige Verbindungen können überhitzen und einen Brand verursachen.
- Der Stecker muss leicht zugänglich sein. Wenn dies nicht möglich ist, muss die Elektroinstallation über einen Mechanismus verfügen, der den gesetzlichen Vorschriften entspricht und alle Anschlüsse vom Netz trennt (Sicherung, Schalter, Hauptschalter usw.).
- Das Produkt darf nicht mit einem externen Schaltgerät wie z. B. einer Zeitschaltuhr oder einem ferngesteuerten System betrieben werden.
- Benutzen Sie das Produkt nicht, wenn Sie nackte Füße haben oder Ihr Körper nass ist.

- Berühren Sie den Stecker nicht mit nassen Händen!
- Fassen Sie beim Ausstecken des Geräts nicht das Netzkabel, sondern den Stecker an.
- Achten Sie darauf, dass der Stecker nicht nass, schmutzig oder staubig ist.
- Schließen Sie Ihr Gerät niemals an stromsparende Geräte an. Solche Systeme sind schädlich für das Gerät.



#### **1.4 Handhabungssicherheit**

- Ziehen Sie unbedingt den Netzstecker, bevor Sie das Gerät tragen.
- Dieses Produkt ist schwer, handhaben Sie es nicht selbst. Wenn das Gerät auf Sie fällt, können Sie sich verletzen. Stoßen Sie beim Transport nicht an und lassen Sie das Gerät nicht fallen.
- Schließen Sie immer die Türen und halten Sie das Gerät nicht an den Türen fest, wenn Sie es transportieren.
- Achten Sie beim Umgang mit dem Gerät darauf, dass das Kühlsystem und die Leitungen nicht beschädigt werden. Nehmen Sie das Gerät nicht in Betrieb, wenn die Leitungen be-



schädigt sind, und wenden Sie sich an einen autorisierten Kundendienst.

## 1.5 Montagesicherheit

- Um das Produkt für den Gebrauch vorzubereiten, lesen Sie bitte die Informationen im Benutzer- und Installationshandbuch und vergewissern Sie sich, dass die Strom- und Wasseranschlüsse wie gewünscht sind. Wenn dies nicht der Fall ist, wenden Sie sich an einen qualifizierten Elektriker und einen Monteur, um die Versorgungsleitungen entsprechend zu installieren.
- **Andernfalls kann es zu einem elektrischen Schlag, Brand, Problemen mit dem Gerät oder Verletzungen kommen.**
- Bevor Sie mit der Installation beginnen, schalten Sie die Sicherung aus, um die Stromleitung, an die das Produkt angeschlossen ist, stromlos zu machen.
- Die Installation des Geräts sollte von zwei Personen durchgeführt werden. Bitte tragen Sie Schutzhandschutz, wenn Sie das Gerät entpacken und installieren.
- Dieses Produkt ist für die Verwendung in einer maximalen Höhe von 2000 Metern über dem Meeresspiegel ausgelegt.
- Halten Sie Kinder vom Installationsbereich fern.
- Überprüfen Sie das Gerät vor der Installation auf eventuelle Schäden. Lassen Sie das Gerät nicht installieren, wenn es beschädigt ist.
- Verwenden Sie bei der Installation, Wartung und Reparatur des Produkts stets persönliche Schutzausrüstung (Handschuhe usw.). Es besteht Verletzungsgefahr.
- Installieren Sie das Produkt nicht an Orten, an denen es externen Umgebungstemperaturen ausgesetzt sein könnte, und lassen Sie es nicht dort stehen.
- Stellen Sie das Gerät auf eine saubere, ebene und stabile Fläche und balancieren Sie es mit den verstellbaren Füßen aus (durch Drehen der vorderen Füße nach rechts oder links). Andernfalls kann der Kühlschrank umkippen und Verletzungen verursachen.
- Gehen Sie mit Vorsicht vor, um Schäden an den Fußböden (Fliesen usw.) zu vermeiden, wenn Sie Gerät bewegen. Installieren Sie das Gerät unbe-

dingt auf einem Untergrund, der stabil genug für dessen Größe, Gewicht sowie seine Nutzung ist. Achten Sie darauf, dass das Gerät nicht nahe von Wärmequellen aufgestellt wird und ein stabiler Stand gegeben ist und alle vier Gerätefüße festen Kontakt mit dem Boden haben. Installieren Sie das Gerät vorschriftsgemäß und kontrollieren Sie dessen waagerechten Stand mit einer Wasserwaage. Für das einwandfreie Funktionieren des Kühlmittelkreislaufs warten Sie bitte mindestens zwei Stunden, bevor Sie das Gerät in Betrieb nehmen.

- Das Gerät muss in einer trockenen und belüfteten Umgebung aufgestellt werden. Legen Sie keine Teppiche, Vorleger oder ähnliche Beläge unter das Gerät. Dies kann zu Brandgefahr durch unzureichende Belüftung führen!
- Die Lüftungsöffnungen dürfen nicht blockiert oder abgedeckt werden. Andernfalls erhöht sich der Stromverbrauch und Ihr Produkt kann beschädigt werden.
- Achten Sie auf ausreichenden Abstand auf beiden Seiten und zur Raumdecke für eine angemessene Belüftung. Der Ab-

stand zwischen der Geräterückwand und der Wand hinter dem Gerät muss mindestens 50 mm betragen, um eine Überhitzung der Oberflächen zu verhindern. Eine Verkleinerung dieses Abstands kann zu einem erhöhten Energieverbrauch des Geräts führen.

- Achten Sie beim Platzieren des Produkts darauf, dass das Netzkabel nicht beschädigt oder eingeklemmt wird.
- Das Produkt darf nicht an Versorgungssysteme und Stromquellen angeschlossen werden, die plötzliche Spannungsschwankungen verursachen können (z. B. eine tragbare Solarstromquelle). Andernfalls kann es durch die abrupten Spannungsschwankungen zu Schäden an Ihrem Produkt kommen!
- Je mehr Kältemittel ein Kühlschranks enthält, desto größer sollte sein Aufstellraum sein. In sehr kleinen Räumen kann bei einem Gasaustritt im Kühlsystem ein brennbares Gas-Luft-Gemisch entstehen. Pro 8 Gramm Kältemittel wird mindestens 1 m<sup>3</sup> Rauminhalt benötigt. Die Menge des in Ihrem Produkt verfügbaren Kältemittels ist auf dem Typenschild angegeben.

- Das Gerät darf nicht so aufgestellt werden, dass Stromkabel, der Metallschlauch des Gasherds, Gas- oder Wasserleitungen aus Metall mit der Rückwand des Geräts (oder dem Verflüssiger) in Berührung kommen.
- Der Aufstellungsort des Produkts darf nicht der direkten Sonneneinstrahlung ausgesetzt sein und sich nicht in der Nähe von Wärmequellen wie Öfen, Heizkörpern usw. befinden. Wenn Sie die Aufstellung des Produkts in der Nähe einer Wärmequelle nicht vermeiden können, verwenden Sie eine geeignete Isolierplatte und stellen Sie sicher, dass der Mindestabstand zur Wärmequelle wie unten angegeben ist:
  - Mindestens 30 cm Abstand zu Wärmequellen wie Herden, Öfen, Heizgeräten und Heizkörpern usw.,
  - Und mindestens 5 cm Abstand zu Elektroöfen.
- Ihr Produkt hat die Schutzklasse I.
- Schließen Sie das Gerät an eine geerdete Steckdose an, die mit den auf dem Typenschild angegebenen Werten für Spannung, Stromstärke und Frequenz übereinstimmt. Die Steckdose muss mit einer 10A - 16A Sicherung ausgestattet sein. Unser Unternehmen übernimmt keine Haftung für alle Schäden aufgrund einer Nutzung ohne Erdung oder ohne eines Stromanschlusses, der nicht den örtlichen und nationalen Vorschriften genügt.
- Während der Aufstellung muss der Gerätenetzstecker gezogen sein. Andernfalls besteht die Gefahr eines Stromschlags und von Verletzungen!
- Schließen Sie das Gerät nicht an lockere, beschädigte, schmutzige, fettige oder aus der Verankerung geratene Steckdosen oder an Steckdosen an, die mit Wasser in Berührung kommen können. Derartige Verbindungen können überhitzen und einen Brand verursachen.
- Verlegen Sie das Netzkabel und die Schläuche (falls vorhanden) des Geräts so, dass sie keine Stolpergefahr darstellen.
- Das Eindringen von Feuchtigkeit und Flüssigkeit in stromführende Teile oder in das Netzkabel kann einen Kurzschluss verursachen. Verwenden Sie das Gerät daher nicht in feuchten Umgebungen oder in Bereichen, in denen Wasser

spritzen kann (z.B. Garage, Waschküche usw.). Wenn der Kühlschrank nass geworden ist, ziehen Sie den Stecker und wenden Sie sich an einen autorisierten Kundendienst.

- Schließen Sie Ihren Kühlschrank niemals an Energiespargeräte an. Solche Systeme sind schädlich für das Gerät.
- Beim Entfernen der Abdeckung der Elektronikplatine und der hinteren Abdeckung des Kompressors (falls vorhanden) besteht die Gefahr des Kontakts mit elektrischen Teilen. Entfernen Sie nicht die Abdeckung der Elektronikplatine und die hintere Abdeckung des Kompressors (falls vorhanden). Es besteht die Gefahr eines Stromschlags!

## 1.6 Betriebssicherheit

- Verwenden Sie niemals chemische Lösungsmittel für das Gerät. Diese Stoffe bergen ein Explosionsrisiko.
- Im Falle einer Störung des Geräts ziehen Sie den Stecker aus der Steckdose (oder schalten Sie die Sicherung aus, an die es angeschlossen ist) und nehmen Sie es nicht in Betrieb, bis es vom autorisierten Kundendienst repariert wurde. Es besteht die Gefahr eines Stromschlags.
- Stellen Sie keine Flammen (brennende Kerze, Zigarette usw.) oder Wärmequellen (Bügeleisen, Herd, Ofen usw.) auf oder in die Nähe des Geräts. Stellen Sie keine brennbaren/explosiven Materialien in der Nähe des Geräts ab...
- Steigen Sie nicht auf das Gerät. Sturz- und Verletzungsgefahr!
- Beschädigen Sie die Leitungen des Kühlsystems nicht mit scharfen und stechenden Werkzeugen. Das Kältemittel, das beim Durchstechen der Gasrohre, der Rohrverlängerungen oder der oberen Oberflächenbeschichtungen austritt, kann zu Hautreizungen und Verletzungen der Augen führen.
- Nicht in den Kühlmittelkreislauf eingreifen oder diesen beschädigen Explosionsgefahr.
- Stellen Sie keine elektrischen Geräte im Inneren des Kühl-/Gefrierschranks auf und betreiben Sie sie nicht, es sei denn, dies wird vom Hersteller empfohlen.

- Wenden Sie keine anderen als die vom Hersteller empfohlenen Verfahren an, um das Abtauen zu beschleunigen.
- Achten Sie darauf, dass Sie Ihre Hände oder Ihren Körper nicht mit den beweglichen Teilen im Inneren des Geräts in Berührung bringen. Achten Sie darauf, dass Ihre Finger nicht zwischen Kühlschrank und Tür eingeklemmt werden. Seien Sie vorsichtig beim Öffnen und Schließen der Tür, wenn Kinder in der Nähe sind.
- Nehmen Sie Eis, Eiswürfel oder gefrorene Lebensmittel nicht sofort in den Mund, wenn Sie sie aus dem Gefrierschrank nehmen. Frostbeulenrisiko!
- Berühren Sie die Innenwände, die Metallteile des Gefrierschranks oder die im Gefrierschrank aufbewahrten Lebensmittel nicht mit nassen Händen. Frostbeulenrisiko!
- Stellen Sie keine Getränkedosen oder Dosen und Flaschen, die Flüssigkeiten enthalten, die gefrieren können, in das Gefrierfach. Dosen oder Flaschen können explodieren. Verletzungsgefahr und Gefahr von Sachschäden!
- Verwenden oder lagern Sie keine temperaturempfindlichen Materialien wie brennbare Sprays, brennbare Gegenstände, Trockeneis oder andere chemische Stoffe in der Nähe des Kühlschranks. Brand- und Explosionsgefahr!
- Bewahren Sie keine explosiven Materialien wie Spraydosen mit brennbaren Stoffen im Inneren des Geräts auf.
- Stellen Sie Dosen, die Flüssigkeiten enthalten, nicht im offenen Zustand auf das Produkt. Wenn Wasser auf ein elektrisches Teil spritzt, besteht die Gefahr eines elektrischen Schlags oder eines Brands.
- Bewahren Sie keine Glasbehälter mit Flüssigkeit im Gefrierfach auf, da sie zerbrechen können.
- Dieses Produkt ist nicht für die Lagerung und Kühlung von Arzneimitteln, Blutplasma, Laborpräparaten oder ähnlichen Materialien und Produkten vorgesehen, die unter die Medizinprodukte-Richtlinie fallen.
- Wenn das Produkt nicht bestimmungsgemäß verwendet wird, kann es zu einer Beschädigung oder Beeinträchtigung der darin gelagerten Produkte kommen.
- Wenn Ihr Kühlschrank mit blauem Licht ausgestattet ist, dürfen Sie nicht mit optischen Geräten in dieses Licht blicken.

Schauen Sie nicht über einen längeren Zeitraum direkt in das UV-LED-Licht. Ultraviolette Strahlen können die Augen überanstrengen.

- Befüllen Sie das Produkt nicht mit mehr Inhalt als es aufnehmen kann. Wenden Sie keine anderen als die vom Hersteller empfohlenen Verfahren an, um das Abtauen zu beschleunigen. Es kann zu Verletzungen oder Schäden kommen, wenn der Inhalt des Kühlschranks beim Öffnen der Tür herunterfällt. Ähnliche Probleme können auch auftreten, wenn ein Gegenstand auf das Gerät gestellt wird.
- Vergewissern Sie sich, dass Sie jegliches Eis oder Wasser, das auf den Boden gefallen sein könnte, entfernt haben, um Verletzungen zu vermeiden.
- Ändern Sie die Position der Ablagen/Flaschenablagen an der Tür Ihres Kühlschranks nur, wenn die Ablagen leer sind. Es besteht Verletzungsgefahr!
- Stellen Sie keine Gegenstände auf das Produkt, die herunterfallen/umkippen können. Diese Gegenstände können beim Öffnen oder Schließen der Tür herunterfallen und Verletzungen und/oder Sachschäden verursachen.
- Schlagen Sie nicht auf Glasflächen und üben Sie keinen übermäßigen Druck darauf aus. Zerbrochenes Glas kann zu Verletzungen und/oder Sachschäden führen.
- Bei Geräten, deren Design den Einsatz eines Luftfilters vorsieht, der sich innerhalb einer zugänglichen Gebläseabdeckung befindet, muss stets ein Filter eingesetzt sein, wenn das Gerät in Betrieb ist.
- Das Gebläse (soweit zutreffend) darf nicht mit Kühlgut verstellt werden.
- Beschädigte Dichtungsringe müssen so schnell wie möglich ausgetauscht werden.
- Ihr Gerät verfügt gegebenenfalls für Spezialfächer (Fach für frische Lebensmittel, Null-Grad-Fach usw.). Sofern in der betreffenden Bedienungsanleitung für das Gerät nicht anders angegeben können diese Fächer entfernt werden, ohne dass dies die allgemeine Funktion des Geräts beeinträchtigt.
- Das Kühlsystem in Ihrem Produkt enthält das Kältemittel R600a. Der im Produkt verwendete Kältemitteltyp ist auf dem

Typenschild angegeben. Das Gas ist entflammbar. Achten Sie deshalb beim Betrieb des Produkts darauf, dass das Kühlsystem und die Leitungen nicht beschädigt werden. Im Falle einer Beschädigung der Rohre;

1. Berühren Sie nicht das Produkt oder das Netzkabel.
2. Halten Sie das Gerät von potenziellen Feuerquellen fern, die das Gerät in Brand setzen könnten.
3. Belüften Sie den Bereich, in dem das Gerät aufgestellt ist. Verwenden Sie keinen Ventilator.
4. Wenden Sie sich an den autorisierten Kundendienst.

Bevor Sie alte Produkte entsorgen, die nicht mehr verwendet werden sollen:

1. Ziehen Sie den Stecker des Netzkabels aus der Steckdose.
2. Schneiden Sie das Netzkabel ab und ziehen Sie es zusammen mit dem Stecker aus dem Gerät.
3. Nehmen Sie die Ablagen und Schubladen nicht aus dem Gerät, um zu verhindern, dass Kinder in das Innere des Geräts gelangen können.
4. Entfernen Sie die Türen.

5. Bewahren Sie das Gerät so auf, dass es nicht umgestoßen werden kann.
6. Erlauben Sie Kindern nicht, mit dem ausrangierten Produkt zu spielen.
7. Wenn das Gerät beschädigt ist und Sie ein Gasleck feststellen, halten Sie sich bitte vom Gas fern. Gas kann Erfrigerungen verursachen, wenn es mit Ihrer Haut in Kontakt kommt.
  - Entsorgen Sie das Gerät nicht, indem Sie es ins Feuer werfen. Es besteht Explosionsgefahr.
  - Wenn ein Schloss an der Tür des Geräts vorhanden ist, bewahren Sie den Schlüssel außerhalb der Reichweite von Kindern auf.



### 1.7 Sicherheit bei der Lagerung von Lebensmitteln

Bitte beachten Sie die folgenden Warnhinweise, um den Verderb von Lebensmitteln zu vermeiden:

- Wenn Sie die Türen längere Zeit offen stehen lassen, kann die Temperatur im Inneren des Geräts ansteigen.
- Reinigen Sie regelmäßig die zugänglichen Abflusssysteme, die mit den Lebensmitteln in Berührung kommen.

- Reinigen Sie Wassertanks, die 48 Stunden lang nicht benutzt wurden, und Wasserversorgungssysteme, die mehr als 5 Tage lang nicht benutzt wurden.
- Lagern Sie rohe Fleisch- und Fischprodukte in geeigneten Fächern innerhalb des Produkts. So tropft es nicht auf andere Lebensmittel und kommt nicht mit ihnen in Berührung.
- Zwei-Sterne-Gefrierfächer werden für die Lagerung von vorgefüllten Lebensmitteln, die Herstellung und Lagerung von Eis und Speiseeis verwendet.
- Ein-, Zwei- und Drei-Sterne-Fächer sind nicht zum Einfrieren frischer Lebensmittel geeignet.
- Wenn das Gefrierschrank längere Zeit nicht benutzt wurde, schalten Sie es aus, tauen Sie es ab, reinigen und trocknen Sie es, um das Gehäuse des Geräts zu schützen.
- Kontrollieren Sie, nachdem die Lebensmittel eingeräumt worden sind, ob alle Fächerklappen und insbesondere die Gefrierfachtür ordnungsgemäß geschlossen worden sind.
- Nutzen Sie das Kühlschranksfach für die Lagerung von frischen Lebensmitteln und das Gefrierfach für die Lagerung von Gefriergut, zum Einfrieren von Lebensmitteln sowie für die Herstellung von Eiswürfeln.
- Lebensmittel sollten stets in geschlossenen Verpackungen oder Gefäßen im Kühlschrank bzw. in den Gefrierfächern aufbewahrt werden, um jeden direkten Kontakt mit den Oberflächen im Geräteinnern zu verhindern.



### **1.8 Wartungs- und Reinigungssicherheit**

- Ziehen Sie den Netzstecker oder schalten Sie die Sicherung aus, bevor Sie das Gerät reinigen oder Wartungsarbeiten durchführen.
- Ziehen Sie nicht an der Tür oder am Türgriff, wenn Sie das Gerät zu Reinigungszwecken bewegen wollen. Die Tür kann Verletzungen verursachen, wenn Sie zu fest am Griff ziehen.
- Stellen Sie keine Hände, Füße oder Metallgegenstände unter oder hinter Ihr Gerät. Es kann zu einem Einklemmen kommen oder scharfe Kanten können Verletzungen verursachen.
- Waschen Sie das Produkt weder innen noch außen mit einem Hochdruckreiniger,



Dampf, Spritzwasser oder Gießwasser. Es besteht Stromschlag- und Brandgefahr.

- Verwenden Sie zum Reinigen des Produkts keine scharfen und scheuernden Werkzeuge oder Haushaltsreiniger, Waschmittel, Gas, Benzin, Verdüner, Alkohol, Lacke und ähnliche Substanzen. Verwenden Sie nur Reinigungs- und Pflegemittel, die für die Lebensmittel im Inneren des Geräts unschädlich sind.
- Verwenden Sie kein Küchenpapier, keine Reinigungsschwämme oder sonstige harte Reinigungsmaterialien.
- Verwenden Sie zur Reinigung des Geräts und zum Auftauen des Eises im Inneren niemals Dampf oder dampfhaltige Reinigungsmittel. Dampf kommt mit den stromführenden Teilen Ihres Kühlschranks in Berührung und kann einen Kurzschluss oder Stromschlag verursachen.
- Verwenden Sie keine mechanischen Werkzeuge oder andere Werkzeuge als die Empfehlungen des Herstellers, um den Auftauvorgang zu beschleunigen.
- Achten Sie darauf, dass Wasser nicht in die Nähe der Lüftungsöffnungen, der elektroni-

schen Schaltkreise oder der Beleuchtung des Geräts gelangt. Andernfalls besteht die Gefahr eines Brands oder Stromschlags.

- Verwenden Sie ein sauberes, trockenes Tuch, um Staub oder Fremdkörper an den Stecker- spitzen abzuwischen. Verwenden Sie kein nasses oder feuchtes Tuch, um den Stecker zu reinigen. Andernfalls besteht die Gefahr eines Brands oder Stromschlags.



### 1.9 Beleuchtung

Wenden Sie sich an einen autorisierten Kundendienst, wenn Sie die LED / Glühbirne für die Beleuchtung ersetzen müssen.



### 1.10 Entsorgung des alten Produkts

Befolgen Sie bei der Entsorgung Ihres alten Produkts die nachstehenden Anweisungen:

- Um zu verhindern, dass sich Kinder versehentlich im Gerät einschließen, deaktivieren Sie die Türverriegelung, falls sie vorhanden ist.
- Spritzer von Kühlmittel sind schädlich für die Augen. Beschädigen Sie beim Entsorgen des Geräts keine Teile des Kühlsystems.

- Es kann tödlich sein, wenn das Kompressoröl verschluckt wird oder in die Atemwege eindringt.
- Das Kühlsystem Ihres Produkts enthält R600a-Gas, wie auf dem Typenschild angegeben. Das Gas ist entflammbar.

- Entsorgen Sie das Gerät nicht, indem Sie es ins Feuer werfen. Es besteht Explosionsgefahr!
- C-Pentan wird als Treibmittel in Isolierschaum verwendet und ist ein brennbarer Stoff. Entsorgen Sie das Gerät nicht, indem Sie es ins Feuer werfen.

## 2 Umwelthinweise

### 2.1 Informationen zur Entsorgung:



#### Ihre Pflichten als Endnutzer

Dieses Elektro- bzw. Elektronikgerät ist mit einer durchgestrichenen Abfalltonne auf Rädern gekennzeichnet. Das Gerät darf deshalb nur getrennt vom un-

sortierten Siedlungsabfall gesammelt und zurückgenommen werden. Es darf somit nicht in den Hausmüll gegeben werden. Das Gerät kann z.B. bei einer kommunalen Sammelstelle oder ggf. bei einem Vertreiber (siehe unten zu deren Rücknahmepflichten in Deutschland) abgegeben werden.

Das gilt auch für alle Bauteile, Unterbaugruppen und Verbrauchsmaterialien des zu entsorgenden Altgeräts.

Bevor das Altgerät entsorgt werden darf, müssen alle Altbatterien und Akkumulatoren vom Altgerät getrennt werden, die nicht vom Altgerät umschlossen sind. Das gleiche gilt für Lampen, die zerstörungsfrei aus dem Altgerät entnommen werden können. Der Endnutzer ist zudem selbst dafür verantwortlich, personenbezogene Daten auf dem Altgerät zu löschen.



#### Hinweise zum Recycling

Helfen Sie mit, alle Materialien zu recyceln, die mit diesem Symbol gekennzeichnet sind. Entsorgen Sie solche Materialien, insbesondere Verpackungen, nicht im Hausmüll, sondern über die bereitgestellten Recyclingbehälter oder die entsprechenden örtlichen Sammelsysteme. Recyceln Sie zum Umwelt- und Gesundheitsschutz elektrische und elektronische Geräte.

#### Rücknahmepflichten der Vertreiber

Wer auf mindestens 400 m<sup>2</sup> Verkaufsfläche Elektro- und Elektronikgeräte vertreibt oder diese gewerblich an Endnutzer abgibt, ist verpflichtet, bei Abgabe eines neuen Gerätes, ein Altgerät des Endnutzers der gleichen Geräteart, das im Wesentlichen die gleichen Funktionen wie das neue Gerät erfüllt, am Ort der Abgabe oder in unmittelbarer Nähe, unentgeltlich zurückzunehmen. Das gilt auch für Vertreiber von Lebensmitteln mit einer Gesamtverkaufsfläche von mindestens 800 m<sup>2</sup>, die mehrmals im Kalenderjahr oder dauerhaft Elektro- und Elektronikgeräte anbieten und auf dem Markt bereitstellen. Solche Vertreiber müssen zudem auf Verlangen des Endnutzers Altgeräte, die in keiner äußeren Abmessung größer als 25 cm sind, (kleine Elektrogeräte) im Einzelhandelsgeschäft oder in unmittelbarer Nähe hierzu unentgeltlich zurückzunehmen; die Rücknahme darf in diesem Fall

nicht an den Kauf eines Elektro- oder Elektronikgerätes verknüpft, kann aber auf drei Altgeräte pro Geräteart beschränkt werden. Ort der Abgabe ist auch der private Haushalt, wenn das neue Elektro- oder Elektronikgerät dorthin geliefert wird; in diesem Fall ist die Abholung des Altgerätes für den Endnutzer kostenlos.

Die vorstehenden Pflichten gelten auch für den Vertrieb unter Verwendung von Fernkommunikationsmitteln, wenn die Vertreiber Lager- und Versandflächen für Elektro- und Elektronikgeräte bzw. Gesamtlager und Versandflächen für Lebensmittel beinhalten, die den oben genannten Verkaufsflächen entsprechen. Die unentgeltliche Abholung von Elektro- und Elektronikgeräten ist dann aber auf Wärmeüberträger (z.B. Kühlschrank), Bildschirme, Monitore und Geräte, die Bildschirme mit einer Oberfläche von mehr als 100 cm<sup>2</sup> enthalten und Geräte beschränkt, bei denen mindestens eine der äußeren Abmessungen mehr als 50 cm beträgt. Für alle übrigen Elektro- und Elektro-

nikgeräte muss der Vertreiber geeignete Rückgabemöglichkeiten in zumutbarer Entfernung zum jeweiligen Endnutzer gewährleisten; das gilt auch für kleine Elektrogeräte (s.o.), die der Endnutzer zurückgeben möchte, ohne ein neues Gerät zu erwerben.

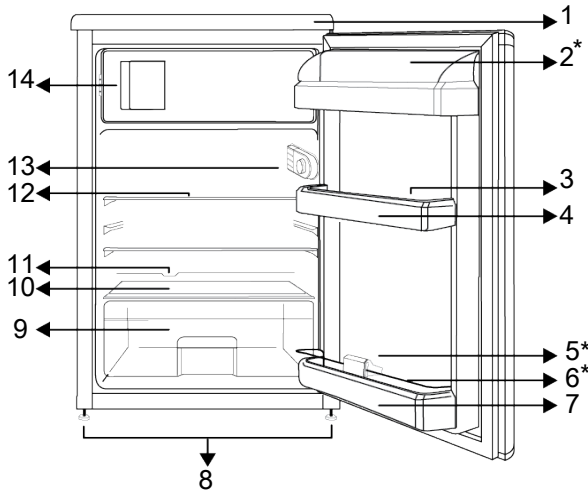
#### **Einhaltung der RoHS-Richtlinie:**

Das von Ihnen gekaufte Gerät entspricht der RoHS-Richtlinie der EU (2011/65/EU). Es enthält keinerlei Materialien, die gemäß der Richtlinie als schädlich oder verboten gelten.

 <b>Konformität mit Normen und Prüfgrundlagen / EG-Konformitätserklärung</b> Entwicklung, Herstellung und Vertrieb dieses Produkts entsprechen den Sicherheitsvorschriften aller einschlägigen Richtlinien der Europäischen Gemeinschaft. 2014/35/EU, 2014/30/EU, 93/68/EG, IEC 60436/DIN 44990, EN 50242
---

### 3 Ihr Kühlschrank

DE



- |                                     |                             |
|-------------------------------------|-----------------------------|
| 1 Festes oberes Fach                | 2 *Fach für Butter und Käse |
| 3 Eierhalter                        | 4 Türregal                  |
| 5 *Flaschenhalter                   | 6 *Sicherheitsvisier        |
| 7 Flaschenablage                    | 8 Verstellbare Füße         |
| 9 Gemüsefach                        | 10 Gemüsefachabdeckung Glas |
| 11 Auftauwasserauffangkanal -Ablauf | 12 Glasplatte               |
| 13 Thermostatschalter               | 14 Gefrierfach              |

**\*Optional:** Die Abbildungen in dieser Bedienungsanleitung sind schematisch und stimmen möglicherweise nicht genau mit Ihrem

Produkt überein. Wenn Ihr Produkt nicht die relevanten Teile enthält, beziehen sich die Informationen auf andere Modelle.

### 4 Aufstellung



Lesen Sie zuerst den Abschnitt „Sicherheitshinweise“!

#### 4.1 Richtiger Ort für die Installation

Wenden Sie sich für die Montage des Geräts an den autorisierten Kundendienst. Um das Gerät für die Installation vorzubereiten, lesen Sie die Informationen in der Bedienungsanleitung und stellen Sie sicher, dass die Strom- und Wasserleitungen den Anforderungen entsprechen. Wenn dies nicht der

Fall ist, wenden Sie sich an einen Elektriker und einen Monteur, um die Versorgungsleitungen entsprechend zu installieren.



#### **WARNUNG:**

Der Hersteller haftet nicht für alle Schäden, die entstehen, wenn diese Arbeiten von nicht dazu befugten Personen aufgeführt werden.

**WARNUNG:**

Während der Aufstellung muss der Gerätenetzstecker gezogen sein. Bei Nichtbeachtung können Tod oder schwere Verletzungen die Folge sein!

**WARNUNG:**

Sollte die Eingangsöffnung am Aufstellungsort zu schmal für das Gerät sein, bauen Sie die Gerätetür ab und drehen Sie das Gerät auf die Seite. Wenden Sie sich an den zuständigen Kundendienst, wenn sich das Problem so nicht lösen lässt.

- Stellen Sie das Gerät auf eine ebene Fläche, um Vibrationen zu vermeiden.
- Stellen Sie das Produkt mindestens 30 cm von Heizung, Herd und ähnlichen Wärmequellen und mindestens 5 cm von Elektroöfen entfernt auf.
- Setzen Sie das Produkt keinem direkten Sonnenlicht aus und bewahren Sie es nicht in feuchten Umgebungen auf.
- Stellen Sie den Kühlschrank nicht an Orten auf, an denen die Temperaturen unter den Wert von  $-5\text{ }^{\circ}\text{C}$  sinken können.
- Ihr Produkt benötigt eine ausreichende Luftzirkulation, um effizient zu funktionieren. Wenn das Produkt in eine Nische gestellt wird, denken Sie daran, mindestens 5 cm Abstand zwischen dem Produkt und der Decke, der Rückwand und den Seitenwänden zu lassen.
- Prüfen Sie, ob die Rückwand-Abstands-schutzkomponente an ihrem Standort vorhanden ist (falls mit dem Produkt geliefert).
- Wenn die Komponente nicht verfügbar ist oder verloren geht oder heruntergefallen ist, positionieren Sie das Produkt so, dass zwischen der Rückseite des Produkts und der Wand des Raums mindestens 5 cm Abstand verbleiben. Der Freiraum an der Rückseite ist wichtig für den effizienten Betrieb des Produkts.

## 4.2 Elektrischer Anschluss



Verwenden Sie für den Anschluss an des Stromnetz keine Verlängerungskabel oder Mehrfachsteckdosen.



Ein beschädigtes Kabel darf nur vom autorisierten Kundendienst ausgetauscht werden.



Wenn Sie zwei Kühlschränke nebeneinander aufstellen, müssen Sie einen Mindestabstand von wenigstens 4 cm zwischen beiden Geräten einhalten.

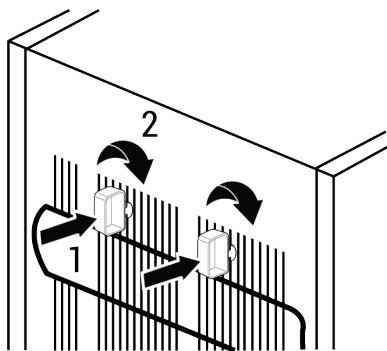


Öffnen Sie vor dem Transport oder der Verwendung niemals die Abdeckung der Steuerplatine des Geräts.  
Risk of electric shock and fire!

- Unser Unternehmen übernimmt keine Haftung für alle Schäden aufgrund einer Nutzung ohne Erdung oder eines Stromanschlusses, der nicht den örtlichen Vorschriften genügt.
- Das Netzkabel muss nach der Aufstellung gut zugänglich sein.
- Verwenden Sie keinen Mehrfachstecker mit oder ohne Verlängerungskabel zwischen der Steckdose und dem Kühlschrank.

## 4.3 Anbringen der Kunststoffkeile

Verwenden Sie die mit dem Gerät gelieferten Kunststoffkeile, um ausreichend Platz für die Luftzirkulation zwischen dem Gerät und der Wand zu schaffen. Montieren Sie 2 Kunststoffkeile wie in der folgenden Abbildung gezeigt.  
(Das angegebene Bild ist repräsentativ gezeichnet, es entspricht nicht vollständig Ihrem Produkt.)

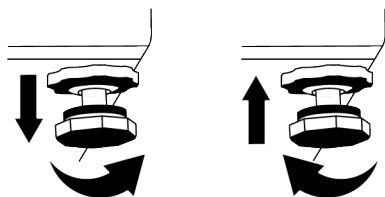


#### 4.4 Einstellen der FüÙe

Wenn sich das Gerat nicht im Gleichgewicht befindet, stellen Sie die vorderen verstellbaren FuÙe ein, indem Sie sie nach rechts oder links drehen.



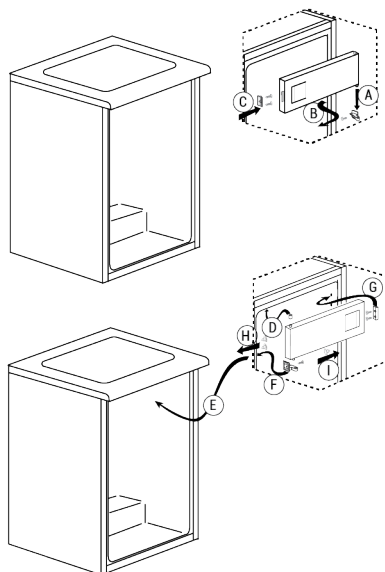
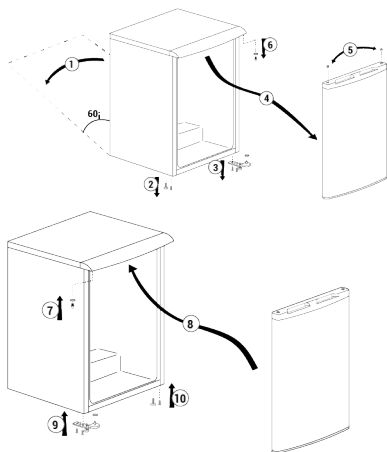
Achten Sie dabei darauf, dass Sie Ihre Hand nicht zwischen dem Produkt und dem Boden oder zwischen dem Produkt und dem eingestellten Bein einklemmen. Es besteht Verletzungsgefahr!



#### 4.5 Warnung vor heißer Oberflache!

Die Seitenwande Ihres Produkts sind mit Kuhlerrohren ausgestattet, um das Kuhlsystem zu verbessern. Hochdruckflussigkeit kann durch diese Oberflachen flieÙen und heiÙe Oberflachen an den Seitenwanden verursachen. Dies ist normal und erfordert keine Wartung. Seien Sie vorsichtig, wenn Sie diese Bereiche kontaktieren.

## 5 andern der Turrichtung



## 6 Vorbereitung



Lesen Sie zuerst den Abschnitt „Sicherheitshinweise“!

### 6.1 Was man zum Energiesparen tun kann



Der Anschluss des Produkts an elektronische Energiesparsysteme ist schädlich, da er das Produkt beschädigen kann.

- Dieses Kühlgerät ist nicht für die Verwendung als Einbaugerät vorgesehen
- Lassen Sie die Kühlschranktür nicht über längere Zeit hinweg offen.
- Stellen Sie keine heißen Speisen oder Getränke in den Kühlschrank.
- Überfüllen Sie den Kühlschrank nicht. Ein Blockieren der inneren Luftzirkulation verringert die Kühlleistung.
- Da heiße und feuchte Luft nicht direkt in Ihr Produkt eindringt, wenn die Türen nicht geöffnet werden, optimiert sich Ihr Produkt unter Bedingungen, die zum Schutz Ihrer Lebensmittel ausreichen. Unter diesen Umständen arbeiten Funktionen und Komponenten wie Kompressor, Lüfter, Heizung, Abtaugung, Beleuchtung, Display usw. bedarfsgerecht und mit minimalem Energieverbrauch.
- Falls mehrere Optionen vorhanden sind, müssen Glasböden so platziert werden, dass die Luftauslässe an der Rückwand nicht blockiert werden und vorzugsweise so, dass die Luftauslässe unterhalb des Glasbodens bleiben. Diese Kombination kann dazu beitragen, die Luftverteilung und die Energieeffizienz zu verbessern.
- Lebensmittel sind in den Schubladen im Kühlfach aufzubewahren, um Energie zu sparen und Lebensmittel unter besseren Bedingungen zu schützen.

### 6.2 Erste Verwendung

Bevor Sie den Kühlschrank das erste Mal verwenden, achten Sie darauf, alle Vorbereitungen gemäß dieser Bedienungsanleitung, insbesondere wie in den Abschnitten „Wich-

tige Hinweise zur Sicherheit und zum Umweltschutz“ und „Aufstellung“ beschrieben, durchzuführen.

- Für eine einwandfreie Funktion des Kühlmittelkreislaufs warten Sie bitte mindestens zwei Stunden, bevor Sie das Gerät in Betrieb nehmen.
- Lassen Sie das leere Gerät mindesten 6 lang laufen und öffnen Sie dabei nicht Tür, sofern es nicht absolut notwendig sein sollte.
- Die Temperaturänderung, die durch das Öffnen und Schließen der Tür während der Verwendung des Produkts verursacht wird, kann normalerweise zu Kondenswasserbildung führen, die auf Tür-/Korpusregalen und Glaswaren in das Produkt gestellt werden.



Wenn der Kompressor sich einschaltet, ist ein Geräusch zu hören. Es ist normal, dass das Produkt Geräusche macht, auch wenn der Kompressor nicht läuft, da im Kühlsystem Flüssigkeit und Gas komprimiert werden können.



Es ist normal, dass die vorderen Ränder des Kühlschranks warm sind. Diese sind so gestaltet, dass sie erwärmen, um Kondensation zu vermeiden.



Bei einigen Modellen schaltet sich die Anzeigetafel 1 Minuten nach dem Schließen der Tür automatisch aus. Sie wird wieder aktiviert, wenn die Tür offen ist oder eine beliebige Taste gedrückt wird.

### 6.3 Klimaklasse und Definitionen

Bitte beachten Sie die Klimaklasse auf dem Typenschild Ihres Geräts. Je nach Klimaklasse ist eine der folgenden Informationen auf Ihr Gerät anwendbar.

- **SN** Langfristig gemäßigtes Klima: Dieses Kühlgerät ist für den Einsatz bei Umgebungstemperaturen zwischen 10 °C und 32 °C ausgelegt.
- **N:** Gemäßigtes Klima: Dieses Kühlgerät ist für den Einsatz bei Umgebungstemperaturen zwischen 16°C und 32 °C ausgelegt.
- **ST:** Subtropisches Klima: Dieses Kühlgerät ist für den Einsatz bei Umgebungstemperaturen zwischen 16°C und 38°C ausgelegt.
- **T:** Tropisches Klima: Dieses Kühlgerät ist für den Einsatz bei Umgebungstemperaturen zwischen 16°C und 43°C ausgelegt.

## 7 Produktbedienung



Lesen Sie zuerst den Abschnitt „Sicherheitshinweise“!

- Verwenden Sie keine mechanischen Werkzeuge oder andere Werkzeuge als die Empfehlungen des Herstellers, um den Auftauvorgang zu beschleunigen.
- Nutzen Sie Teile des Kühlschranks, wie z.B. die Tür oder die Schubladen nicht als Unterstützung oder als Trittbrett. Dies kann dazu führen, dass das Produkt umkippt oder seine Komponenten beschädigt werden.
- Das Gerät darf nur zur Aufbewahrung von Lebensmitteln verwendet werden.

- Schalten Sie das Wasserventil aus, wenn Sie nicht zu Hause sind (z.B. im Urlaub) und die Eismaschine oder den Wasserspender längere Zeit nicht benutzen. Andernfalls können Wasserlecks auftreten.

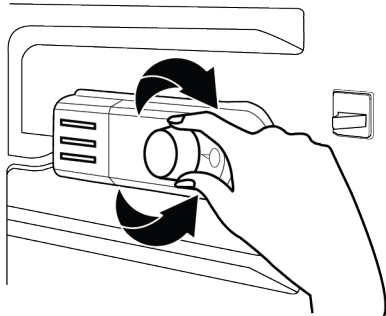
### Pausieren des Programms

- Wenn Sie das Gerät für längere Zeit nicht benutzen, ziehen Sie den Stecker aus der Steckdose.
- Entfernen Sie die Lebensmittel, um Gerüche zu vermeiden.
- Warten Sie, bis das Eis geschmolzen ist, reinigen Sie den Innenraum und lassen Sie ihn trocknen; lassen Sie die Türen offen, um eine Beschädigung der inneren Kunststoffteile zu vermeiden.

## 8 Verwendung des Geräts

### 8.1 Einstellung der Betriebstemperatur

Die Betriebstemperatur wird über den Temperaturregler eingestellt.



Warm ← ● 1 ● 2 ● 3 ● 4 ● 5 ● Cold  
(Or) Min. Max.

**1=Niedrigste Kühleinstellung (wärmste Einstellung)**

**5=Höchste Kühleinstellung (kälteste Einstellung)**

oder

**Min. = Niedrigste Kühleinstellung**  
(wärmste Einstellung)

**Max. = Höchste Kühleinstellung**  
(kälteste Einstellung)

Die durchschnittliche Temperatur im Inneren des Kühlfachs sollte etwa +5°C betragen.

Bitte wählen Sie eine Einstellung, die der gewünschten Temperatur entspricht.

Bitte beachten Sie, dass im Kühlbereich unterschiedliche Temperaturen herrschen werden.

Die kälteste Zone befindet sich direkt über dem Kühlfach.



Die Innentemperatur hängt auch von der Umgebungstemperatur, der Häufigkeit, mit der die Tür geöffnet wird, und der Menge der darin gelagerten Lebensmittel ab.

Häufiges Öffnen der Tür lässt die Innentemperatur ansteigen.

Es wird daher empfohlen, die Tür nach der Benutzung so schnell wie möglich zu schließen.

### Verwendung der Innenfächer

**Bewegliche Regale:** Der Abstand zwischen den Einlegeböden kann nach Bedarf eingestellt werden.

**Gemüseschublade:** In diesem Fach können Gemüse und Obst lange gelagert werden, ohne zu verderben.

**Flaschenablage:** Flaschen, Gläser und Dosen können auf diese Fächer gestellt werden.

### Lebensmittellagerung

Das Kühlfach ist für die kurzfristige Aufbewahrung von frischen Lebensmitteln und Getränken vorgesehen.

Lagern Sie Milchprodukte in dem dafür vorgesehenen Fach des Kühlschranks.

Flaschen können im Flaschenhalter oder auf der Flaschenablage in der Tür gelagert werden.

Rohes Fleisch bewahren Sie am besten in einem Polyethylenbeutel im untersten Fach des Kühlschranks auf.

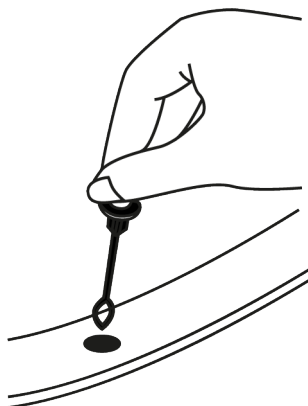
Lassen Sie heiße Speisen und Getränke auf Raumtemperatur abkühlen, bevor Sie sie in den Kühlschrank stellen.

#### • **Achtung:**

Bewahren Sie konzentrierten Alkohol nur aufrecht und fest verschlossen auf.

#### • **Achtung:**

Bewahren Sie keine explosiven Stoffe oder Behälter mit brennbaren Treibgasen (Dosen, Spraydosen usw.) im Gerät auf. Es besteht Explosionsgefahr.



### Abtauen

Die Abtauung des Kühlfachs erfolgt automatisch. Das abgetaute Wasser fließt durch die Ablaufrinne in einen Auffangbehälter an der Rückseite des Geräts.

Während des Abtauens bilden sich durch den Verdampfer Wassertropfen an der Rückseite des Kühlschranks.

Wenn die Tropfen nicht alle nach unten abfließen, können sie nach dem Abtauen wieder gefrieren. Reinigen Sie sie mit einem in warmem Wasser getränkten Tuch, aber niemals mit einem harten oder scharfen Gegenstand.



### 8.2 Auswechseln der Beleuchtungslampe

Rufen Sie den autorisierten Kundendienst an, wenn die Glühbirne/LED für die Beleuchtung Ihres Kühlschranks ausgetauscht werden soll.

Die in diesem Gerät verwendeten Lampen können nicht für die Hausbeleuchtung verwendet werden. Die beabsichtigte Verwen-

dung dieser Lampe soll dem Benutzer helfen, Lebensmittel sicher und bequem in den Kühl- / Gefrierschrank zu stellen.

## 9 Wartung und Reinigung



### WARNUNG:

Lesen Sie zuerst den Abschnitt „Sicherheitshinweise“.



### WARNUNG:

Ziehen Sie vor der Reinigung Ihres Kühlschranks den Netzstecker oder schalten Sie die Sicherung aus, an die er angeschlossen ist.



Stellen Sie Ihre Hände, Füße oder Metallgegenstände nicht unter den Kühlschrank oder zwischen den Kühlschrank und den Boden, aus welchem Grund auch immer. Es kann zu einem Einklemmen kommen oder scharfe Kanten können Verletzungen verursachen.

- Verwenden Sie zum Reinigen des Produkts keine scharfen oder scheuernden Werkzeuge. Verwenden Sie keine Materialien wie Haushaltsreiniger, Seifen, Reinigungsmittel, Gas, Benzin, Verdünner, Alkohol, Wachs usw.
- Der Staub muss mindestens einmal im Jahr vom Lüftungsgitter auf der Rückseite des Produkts entfernt werden (ohne die Abdeckung zu öffnen). Reinigen Sie das Produkt nur mit einem trockenen Tuch.
- Achten Sie darauf, dass die Abdeckung der Lampen und sonstige Elektroteile nicht mit Wasser in Kontakt kommen.
- Reinigen Sie die Tür nur mit einem feuchten Tuch. Entfernen Sie den gesamten Inhalt, um die Tür- und Gehäuseregale zu entfernen. Entfernen Sie die Türregale, indem Sie sie nach oben heben. Reinigen Sie die Türeinsätze gründlich und setzen Sie sie sodann wieder ein, indem Sie diese nach unten gleiten lassen.

- Verwenden Sie kein chlorhaltiges Wasser bzw. chlorhaltige Reinigungsmittel zur Reinigung der Außenflächen und chrombeschichteten Teile des Geräts. Chlor lässt metallische Oberflächen rosten.
- Verwenden Sie keine scharfen und scheuernden Werkzeuge, Seife, Haushaltsreiniger, Reinigungsmittel, Gas, Benzin, Lacke und ähnliche Substanzen, um eine Verformung und Entfernung der Drucke auf dem Kunststoffteil zu vermeiden. Verwenden Sie zum Reinigen warmes Wasser und ein weiches Tuch und trocknen Sie es anschließend ab.
- Bei Produkten ohne Frostschutzfunktion können Wassertropfen und Eisbildung bis zu einer Fingerdicke an der Rückwand des Kühlfachs auftreten. Nicht reinigen und niemals Öle oder ähnliche Materialien auftragen.
- Verwenden Sie nur ein leicht angefeuchtetes Mikrofasertuch, um die Außenfläche des Produkts zu reinigen. Schwämme und andere Arten von Reinigungskleidung können Kratzer verursachen.
- Um alle entfernbareren Komponenten während der Reinigung der Innenfläche des Produkts zu reinigen, waschen Sie diese Komponenten mit einer milden Lösung aus Seife, Wasser und Karbonat. Gründlich waschen und trocknen. Kontakt von Wasser mit Beleuchtungskomponenten und dem Bedienfeld verhindern.



### ACHTUNG:

Verwenden Sie auf keiner Innenfläche Essig, Reinigungsalkohol oder andere Reinigungsmittel auf Alkoholbasis.

### Außenflächen aus Edelstahl

Verwenden Sie ein nicht scheuerndes Reinigungsmittel aus rostfreiem Stahl und tragen Sie es mit einem weichen, fusselfreien

Tuch auf. Wischen Sie zum Polieren die Oberfläche vorsichtig mit einem mit Wasser angefeuchteten Mikrofasertuch ab und verwenden Sie eine trockene Poliergämbse. Folgen Sie immer den Adern des Edelstahl.

### Gerüche verhindern

Das Gerät wurde ohne die Verwendung von Geruch erzeugenden Materialien hergestellt. Die unsachgemäße Lagerung von Lebensmitteln und die unsachgemäße Reinigung der Innenflächen können jedoch zu Geruchsbildung führen.

- Um dies zu vermeiden, sollten Sie den Innenraum mit kohlenensäurehaltigem Wasser alle fünfzehn Tage reinigen.

## 10 Fehlerbehebung



Lesen Sie zuerst den Abschnitt „Sicherheitshinweise“!

Prüfen Sie diese Liste, bevor Sie sich an den Kundendienst wenden. So sparen Sie Zeit und Geld. Diese Liste enthält häufige Beanstandungen, die nicht auf Verarbeitungs- oder Materialfehler zurückzuführen sind. Bestimmte hier aufgeführte Merkmale treffen möglicherweise nicht auf Ihr Produkt zu.

**ACHTUNG:** Wenn das Problem nach Befolgen der Anweisungen in diesem Abschnitt weiterhin besteht, wenden Sie sich an Ihren Händler oder einen autorisierten Kundendienst. Versuchen Sie nicht, das Gerät zu reparieren.

### Der Kühlschrank funktioniert nicht.

- Der Netzstecker ist nicht vollständig eingesteckt. >>> Stecken Sie den Stecker vollständig in die Steckdose.
- Die Sicherung in der Steckdose, die das Produkt mit Strom versorgt, oder die Hauptsicherung ist durchgebrannt. >>> Prüfen Sie die Sicherung.

- Bewahren Sie die Lebensmittel in versiegelten Behältern auf, da Mikroorganismen, die von Lebensmitteln in nicht versiegelten Behältern stammen, einen schlechten Geruch verursachen.
- Bewahren Sie keine verdorbenen Lebensmittel bzw. solche mit abgelaufenem Haltbarkeitsdatum im Kühlschrank auf.

### Schutz der Kunststoffoberflächen

Auf Kunststoffoberflächen ausgelaufenes Öl kann diese beschädigen. Reinigen Sie daher solche Verschmutzungen unverzüglich.

### Kondenswasser an der Seitenwand des Kühlfachs (MULTI ZONE, COOL CONTROL und FLEXI ZONE).

- Die Tür wird zu häufig geöffnet. >>> Achten Sie darauf, die Tür des Geräts nicht zu häufig zu öffnen.
- Die Umgebung ist zu feucht. >>> Stellen Sie das Gerät nicht in feuchten Umgebungen auf.
- Flüssigkeitshaltige Lebensmittel werden in unverschlossenen Behältern aufbewahrt. >>> Bewahren Sie die Lebensmittel, die Flüssigkeiten enthalten, in versiegelten Behältern auf.
- Die Tür des Geräts steht offen. >>> Lassen Sie die Tür des Geräts nicht für längere Zeit offen.
- Der Thermostat ist auf eine sehr kühle Temperatur eingestellt. >>> Stellen Sie den Thermostat auf eine angemessene Temperatur ein.

### Der Kompressor funktioniert nicht.

- Bei einem plötzlichen Stromausfall oder wenn der Netzstecker gezogen und wieder eingesteckt wird, ist der Gasdruck im Kühlsystem des Geräts nicht ausgeglichen, wodurch die thermische Sicherung des Kompressors ausgelöst wird. Das Gerät schaltet sich nach etwa 6 Minuten

wieder ein. Wenn das Gerät nach diesem Zeitraum nicht wieder anläuft, wenden Sie sich an den Kundendienst.

- Die Abtauerung ist aktiv. >>> Dies ist normal für ein vollautomatisches Abtauerungsprodukt. Die Abtauerung wird regelmäßig durchgeführt.
- Das Gerät ist nicht eingesteckt. >>> Vergewissern Sie sich, dass das Netzkabel eingesteckt ist.
- Die Temperatur ist falsch eingestellt. >>> Wählen Sie die richtige Temperatureinstellung.
- Der Strom ist ausgefallen. >>> Das Gerät arbeitet normal weiter, sobald die Stromversorgung wiederhergestellt ist.

#### **Das Betriebsgeräusch des Kühlschranks nimmt während des Betriebs zu.**

- Die Betriebsleistung des Geräts kann je nach den Schwankungen der Umgebungstemperatur variieren. Dies ist normal und stellt keine Fehlfunktion dar.

#### **Der Kühlschrank läuft zu oft oder zu lange.**

- Das neue Gerät ist möglicherweise größer als das vorherige. Größere Produkte sind länger in Betrieb.
- Die Raumtemperatur ist möglicherweise zu hoch. >>> Das Gerät läuft normalerweise über längere Zeit bei höherer Raumtemperatur.
- Das Gerät wurde möglicherweise vor kurzem eingesteckt oder es wurde ein neues Lebensmittel hineingelegt. >>> Das Gerät braucht länger, um die eingestellte Temperatur zu erreichen, wenn es kürzlich eingesteckt wurde oder ein neues Lebensmittel hineingelegt wurde. Das ist normal.
- Möglicherweise wurden kürzlich große Mengen heißer Lebensmittel in das Gerät gelegt. >>> Legen Sie keine heißen Lebensmittel in das Gerät.
- Die Türen wurden häufig geöffnet oder für längere Zeit offen gehalten. >>> Die warme Luft, die sich im Inneren bewegt, lässt das Gerät länger laufen. Öffnen Sie die Türen nicht zu häufig.

- Die Tür des Gefrier- oder Kühlgeräts ist möglicherweise angelehnt. >>> Vergewissern Sie sich, dass die Türen vollständig geschlossen sind.
- Das Gerät ist möglicherweise auf eine zu niedrige Temperatur eingestellt. >>> Stellen Sie die Temperatur auf eine höhere Stufe und warten Sie, bis das Produkt die eingestellte Temperatur erreicht hat.
- Die Türdichtung des Kühl- oder Gefrierschranks ist möglicherweise verschmutzt, abgenutzt, kaputt oder nicht richtig eingesetzt. >>> Reinigen oder ersetzen Sie die Dichtung. Eine beschädigte/gerissene Türdichtung führt dazu, dass das Gerät länger laufen muss, um die aktuelle Temperatur zu halten.

#### **Die Temperatur des Gefrierfachs ist sehr niedrig, aber die Temperatur des Kühlfachs ist ausreichend.**

- Die Temperatur des Gefrierfachs ist auf eine sehr niedrige Temperatur eingestellt. >>> Stellen Sie die Temperatur des Gefrierfachs auf eine höhere Stufe und prüfen Sie erneut.

#### **Die Temperatur im Kühlfach ist sehr niedrig, aber die Temperatur im Gefrierfach ist ausreichend.**

- Die Temperatur des Kühlfachs ist sehr niedrig eingestellt. >>> Stellen Sie die Temperatur des Kühlfachs auf eine höhere Temperatur ein und überprüfen Sie sie erneut.

#### **Die Lebensmittel in den Schubladen des Kühlfachs sind gefroren.**

- Die Temperatur des Kühlfachs ist sehr niedrig eingestellt. >>> Stellen Sie die Temperatur des Kühlfachs auf eine höhere Temperatur ein und überprüfen Sie sie erneut.

#### **Die Temperatur im Kühl- oder Gefrierfach ist zu hoch.**

- Die Kühlfachtemperatur ist sehr hoch eingestellt. >>> Die Temperatureinstellung des Kühlfachs wirkt sich auf die Temperatur im Gefrierfach aus. Warten Sie, bis die Temperatur der betreffenden Teile ein

ausreichendes Niveau erreicht hat, indem Sie die Temperatur der Kühl- oder Gefrierfächer ändern.

- Die Türen wurden häufig geöffnet oder für längere Zeit offen gehalten. >>> Öffnen Sie die Türen nicht zu häufig.
- Die Tür kann angelehnt sein. >>> Schließen Sie die Tür vollständig.
- Das Gerät wurde möglicherweise vor kurzem eingesteckt oder es wurde ein neues Lebensmittel hineingelegt. >>> Das ist normal. Das Gerät braucht länger, um die eingestellte Temperatur zu erreichen, wenn es kürzlich eingesteckt wurde oder ein neues Lebensmittel hineingelegt wurde.
- Möglicherweise wurden kürzlich große Mengen heißer Lebensmittel in das Gerät gelegt. >>> Legen Sie keine heißen Lebensmittel in das Gerät.

#### **Schütteln oder Geräusche.**

- Der Untergrund ist nicht eben oder nicht stabil >>> Wenn das Produkt bei langsamer Bewegung wackelt, stellen Sie die Ständer ein, um das Produkt auszubalancieren. Vergewissern Sie sich auch, dass der Boden ausreichend stabil ist, um das Gerät zu tragen.
- Auf dem Gerät abgestellte Gegenstände können Geräusche verursachen. >>> Entfernen Sie alle auf dem Gerät abgestellten Gegenstände.
- Das Gerät macht Geräusche von fließenden, spritzenden Flüssigkeiten usw.
- Die Funktionsweise des Produkts beinhaltet Flüssigkeits- und Gasströme. >>> Dies ist normal und stellt keine Fehlfunktion dar.

#### **Aus dem Gerät kommt ein Windgeräusch.**

- Das Produkt verwendet einen Ventilator für den Kühlprozess. Dies ist normal und stellt keine Fehlfunktion dar.

#### **An den Innenwänden des Produkts bildet sich Kondenswasser.**

- Heißes oder feuchtes Wetter führt zu verstärkter Vereisung und Kondensation. Dies ist normal und stellt keine Fehlfunktion dar.
- Die Türen wurden häufig geöffnet oder für längere Zeit offen gehalten. >>> Öffnen Sie die Türen nicht zu häufig; wenn sie offen sind, schließen Sie die Tür.
- Die Tür kann angelehnt sein. >>> Schließen Sie die Tür vollständig.

#### **An der Außenseite des Geräts oder zwischen den Türen bildet sich Kondenswasser.**

- Die Umgebungsluft kann feucht sein, dies ist bei feuchtem Wetter ganz normal. >>> Das Kondenswasser wird sich auflösen, wenn die Luftfeuchtigkeit reduziert wird.

#### **Der Innenraum riecht schlecht.**

- Das Produkt wird nicht regelmäßig gereinigt. >>> Reinigen Sie den Innenraum regelmäßig mit einem Schwamm, warmem Wasser und kohlenstoffhaltigem Wasser.
- Bestimmte Halterungen und Verpackungsmaterialien können Geruch verursachen. >>> Verwenden Sie geruchsneutrale Halterungen und Verpackungsmaterialien.
- Die Lebensmittel wurden in nicht verschlossenen Behältern gelagert. >>> Lagern Sie die Lebensmittel in geschlossenen Behältern. Mikroorganismen können auf unverschlossene Lebensmittel überspringen und unangenehme Gerüche verursachen.
- Entfernen Sie alle abgelaufenen oder verdorbenen Lebensmittel aus dem Gerät.

#### **Die Tür schließt nicht.**

- Lebensmittelverpackungen können die Tür blockieren. >>> Entfernen Sie alle Gegenstände, die die Türen blockieren.
- Das Gerät steht nicht ganz aufrecht auf dem Boden. >>> Stellen Sie die Ständer so ein, dass das Gerät im Gleichgewicht ist.

- Die Oberfläche ist nicht eben oder nicht stabil >>> Vergewissern Sie sich, dass die Oberfläche eben und ausreichend stabil ist, um das Produkt zu tragen.

**Das Gemüsefach ist eingeklemmt.**

- Die Lebensmittel können mit dem oberen Teil der Schublade in Kontakt sein. >>> Ordnen Sie die Lebensmittel in der Schublade neu an.

**Temperatur auf der Oberfläche des Produkts.**

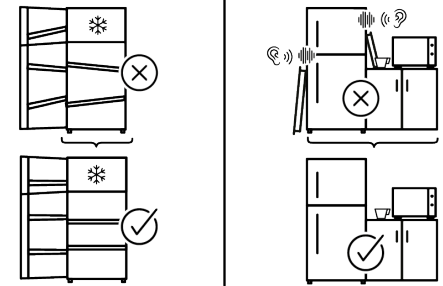
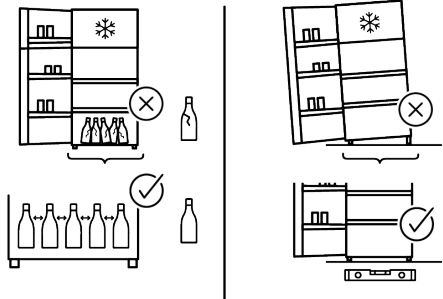
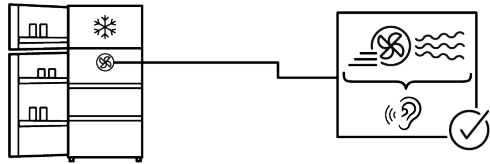
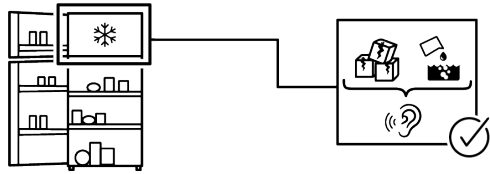
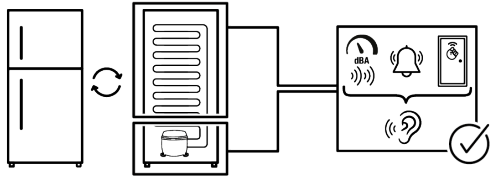
- Während des Betriebs Ihres Geräts kann zwischen zwei Türen, an den Seitenwänden und im hinteren Grillbereich eine hohe Temperatur festgestellt werden. Dies ist normal und erfordert keine Wartung.

**Das Gebläse läuft weiter, wenn die Tür geöffnet wird.**

- Das Gebläse kann weiterlaufen, wenn die Gefrierschranktür geöffnet ist.



**WARNHINWEIS:** Wenn das Problem nach Befolgen der Anweisungen in diesem Abschnitt weiterhin besteht, wenden Sie sich an Ihren Händler oder einen autorisierten Kundendienst. Versuchen Sie nicht, das Gerät zu reparieren. Das ist normal.



## 11 HAFTUNGSAUSSCHLUSS / WARNUNG

Einige (einfache) Störungen können vom Endbenutzer in angemessener Weise behoben werden, ohne dass ein Sicherheitsproblem oder eine unsichere Verwendung entsteht, vorausgesetzt, sie werden innerhalb der Grenzen und in Übereinstimmung mit den folgenden Anweisungen durchgeführt (siehe Abschnitt „Selbstreparatur“).

Sofern im Abschnitt „Selbstreparatur“ nicht anders angegeben, müssen Reparaturen von registrierten Fachwerkstätten durchgeführt werden, um Sicherheitsprobleme zu vermeiden. Eine registrierte Fachwerkstatt ist eine Fachwerkstatt, die vom Hersteller gemäß den in den Rechtsakten gemäß der Richtlinie 2009/125/EG beschriebenen Methoden Zugang zu den Anweisungen und der Ersatzteilliste dieses Produkts erhalten hat.

**Allerdings kann nur der Kundendienst (d.h. autorisierte Fachwerkstätten), den Sie über die in der Bedienungsanleitung/Garantiekarte angegebene Telefonnummer oder über Ihren Vertragshändler erreichen können, Leistungen im Rahmen der Garantiebedingungen erbringen. Bitte beachten Sie daher, dass bei Reparaturen durch (die nicht autorisiert sind durch) Bauknecht Fachwerkstätten die Garantie erlischt.**

### **Selbstreparatur**

Folgende Ersatzteile können vom Endverbraucher selbst repariert werden: Türgriffe, Türscharniere, Ablagen, Körbe und Türdichtungen (eine aktualisierte Liste ist ab dem 1. März 2021 auch unter [parts-selfservice.europeanappliances.com](http://parts-selfservice.europeanappliances.com) verfügbar). Um die Produktsicherheit zu gewährleisten und die Gefahr von schweren Verletzungen zu vermeiden, müssen die genannten Selbstreparaturen gemäß den Anweisungen in der Bedienungsanleitung für Selbstreparaturen oder auf [parts-selfservice.europeanappliances.com](http://parts-selfservice.europeanappliances.com) durchgeführt werden. Ziehen Sie zu Ihrer Sicherheit den Netzstecker des Produkts, bevor Sie eine Selbstreparatur durchführen.

Reparatur- und Instandsetzungsversuche durch Endverbraucher für Teile, die nicht in dieser Liste enthalten sind, und/oder die nicht gemäß den Anweisungen in den Benutzerhandbüchern für die Selbstreparatur oder unter [parts-selfservice.europeanappliances.com](http://parts-selfservice.europeanappliances.com) durchgeführt werden, können zu Sicherheitsproblemen führen, die nicht von Bauknecht zu verantworten sind, und führen zum Erlöschen der Garantie für das Produkt.

Daher wird den Endnutzern dringend empfohlen, von Reparaturversuchen abzusehen, die nicht in der genannten Ersatzteilliste aufgeführt sind, und sich in solchen Fällen an autorisierte Fachwerkstätten oder registrierte Fachwerkstätten zu wenden. Im Gegenteil, solche Versuche können Sicherheitsprobleme verursachen und das Produkt beschädigen und in der Folge Feuer, Überschwemmungen, Stromschläge und schwere Personenschäden hervorrufen.

Zum Beispiel, aber nicht ausschließlich, müssen die folgenden Reparaturen an autorisierte Fachwerkstätten oder registrierte Fachwerkstätten gerichtet werden: Kompressor, Kühlkreislauf, Hauptplatine, Inverterplatine, Displayplatine, usw.

Der Hersteller/Verkäufer kann in keinem Fall haftbar gemacht werden, wenn der Endverbraucher die oben genannten Bestimmungen nicht einhält.

Die Ersatzteilverfügbarkeit des von Ihnen gekauften Kühlschranks beträgt 10 Jahre, während dieser Zeit sind Original-Ersatzteile für den ordnungsgemäßen Betrieb des Kühlschranks verfügbar.

Die Mindestgarantiedauer für den von Ihnen gekauften Kühlschrank beträgt 24 Monate.

Dieses Produkt ist mit einer Lichtquelle der Energieklasse „G“ ausgestattet.

Die Lichtquelle in diesem Produkt darf nur von autorisierte Fachwerkstätten ausgetauscht werden.

Siehe auch









