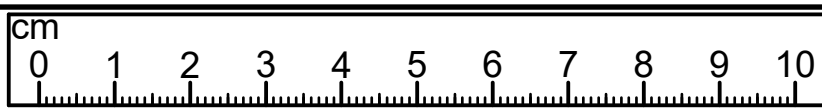
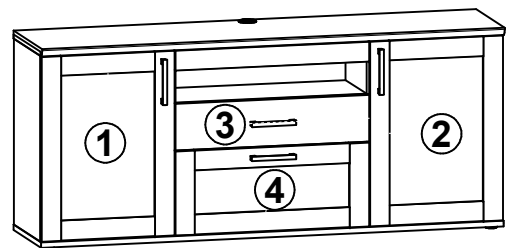
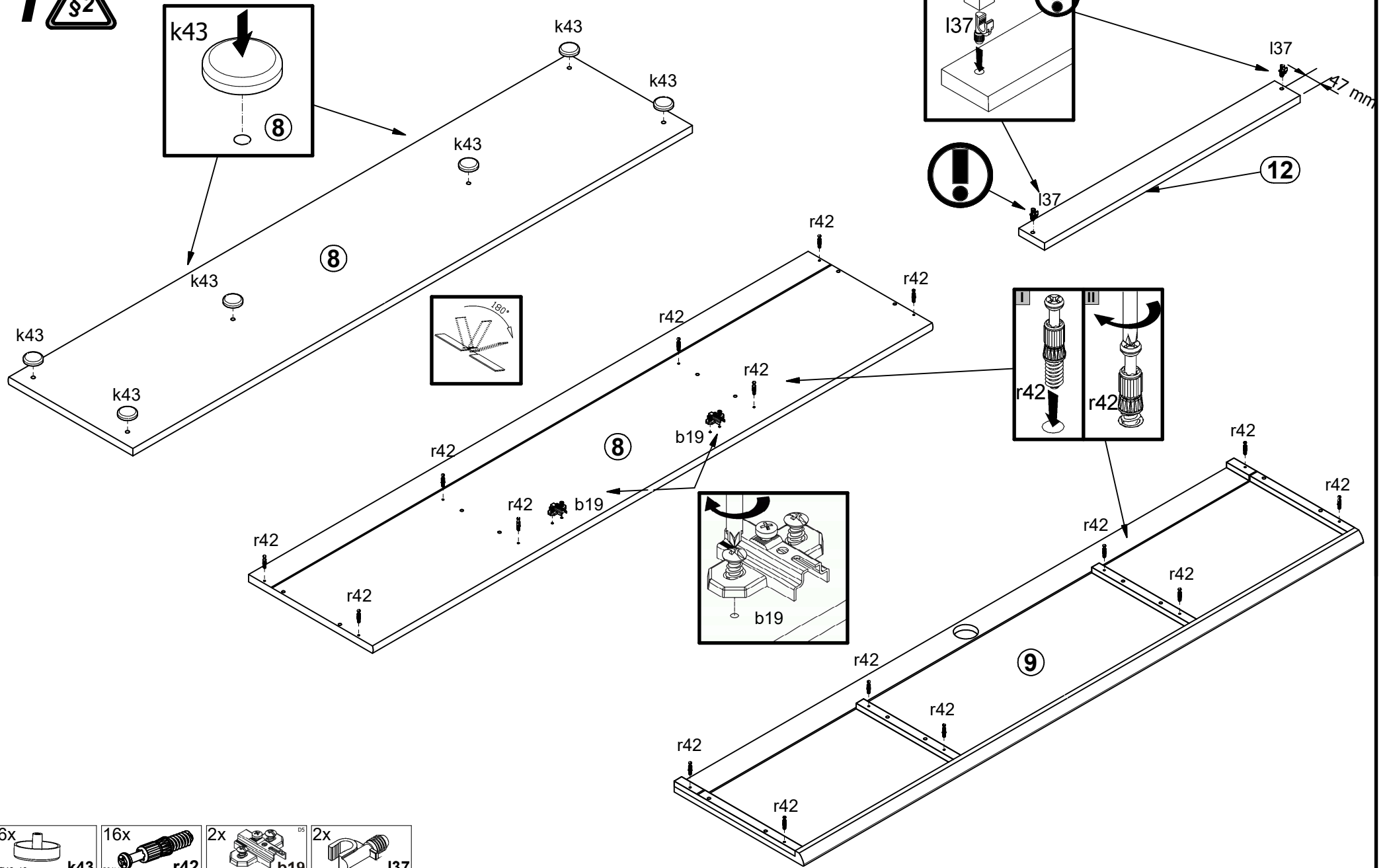


A	B	C (mm)			D
1	S331-0034	744	545	19	2/2
2	S331-0035	744	545	19	2/2
3	S331-0036	796	188	18	2/2
4	S331-0037	796	338	19	2/2
5	S331-1034	750	402	15	2/2
6	S331-1035	750	322	15	1/2
7	S331-1036	750	322	15	1/2
8	S331-2023	1900	423	22	1/2
9	S331-2024	1900	440	32	1/2
10	S331-3019	785	322	15	2/2
11	S331-3020	526	321	15	1/2
12	S331-5011	796	80	19	2/2
13	S331-9035	776	539	2,5	2/2
14	S331-9037	758	305	2,5	2/2
15	S331-9302	775	801	2,5	2/2
16	ZS7-5002	736	110	15	2/2
17	ZS7-523	300	110	12	1/2
18	ZS7-524	300	110	12	1/2



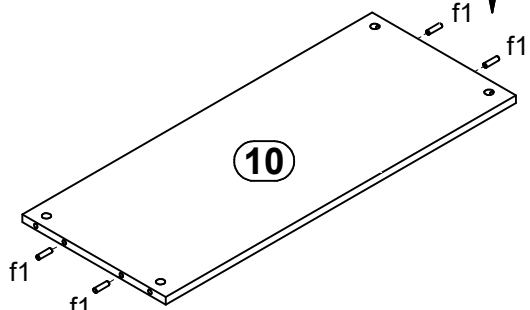
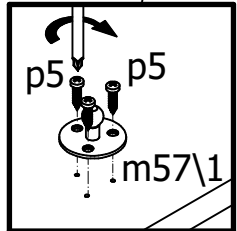
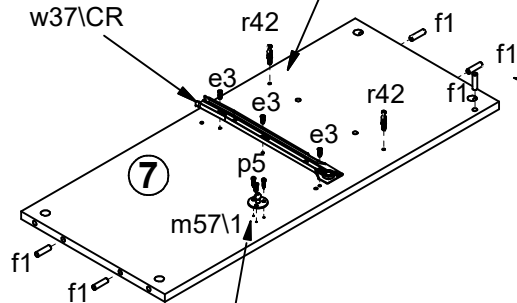
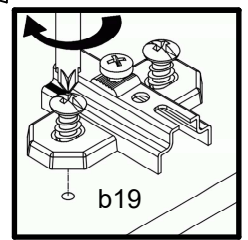
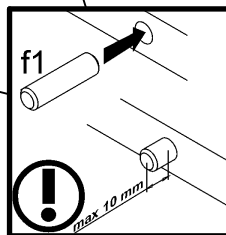
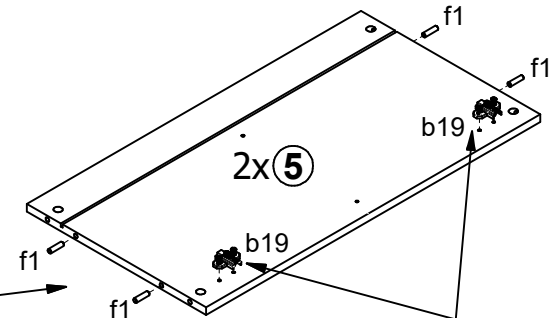
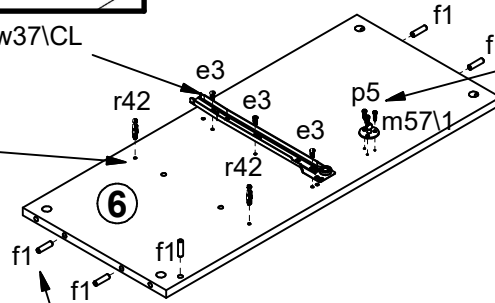
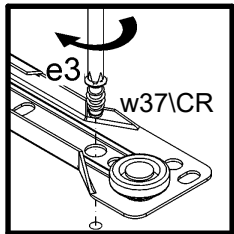
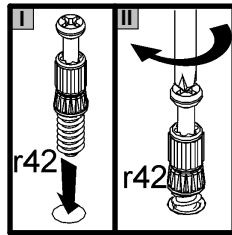
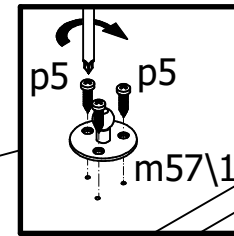
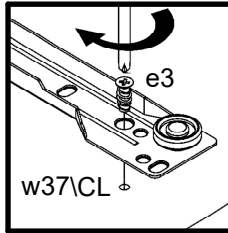
2x K16 a43	4x K0 a44	6x D5 b19	4x c193 160 mm	8x d1 Ø5x17 mm	4x e19 Ø5x9 mm	6x e3 Ø6x13 mm	22x f1 Ø8x30 mm	4x f25 Ø6,5x40 mm	2x f9 Ø6x30 mm	6x k43 Ø48x10 mm	10x I1 1,4x20 mm	12x I2
2x I37	2x 60N m56/5	2x m57/1	2x m57/3	8x n108 22x9,5x20,7 mm	8x o21 silikon	10x p5 Ø3,5x13 mm	8x p9 Ø4x30 mm	1x p25 Ø3,5x16 mm	1x p35 Ø3,5x10 mm	6x p38 Ø3,5x16 mm	12x p51 Ø3,5x15 mm	8x p55 Ø2,9x16 mm
20x Ø15x12 mm #16 r1	4x Ø12x10,5 mm #12 r15	24x 20/11 r42	1x t25 300 mm	1x w37/CL 300 mm	1x w37/CR 300 mm	1x w37/DL 300 mm	1x w37/DR 300 mm	8x s2 Ø16	1x s3 Ø60	2x 30x15x16/2 n211	2x Ø5x60 mm p17	2x Ø10x50 mm f35

1 



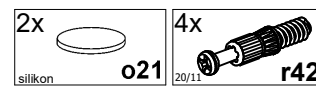
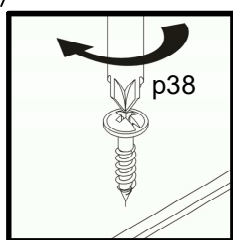
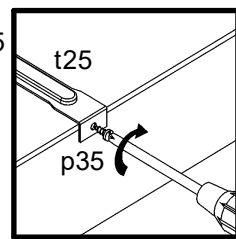
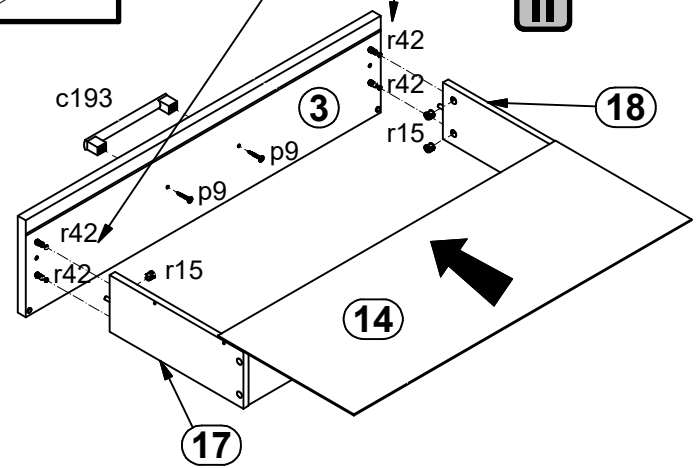
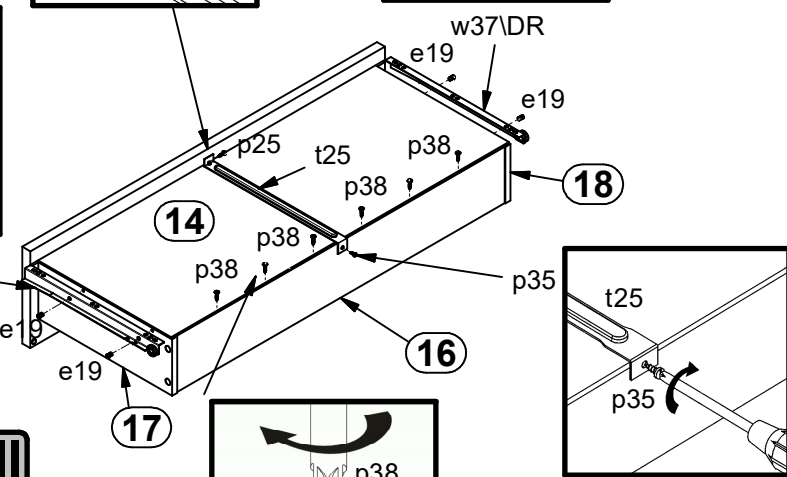
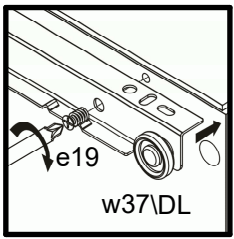
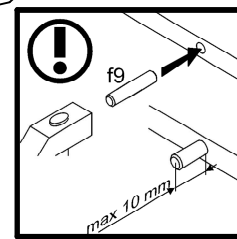
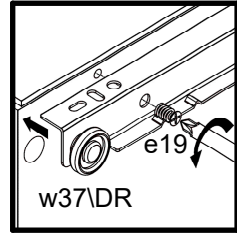
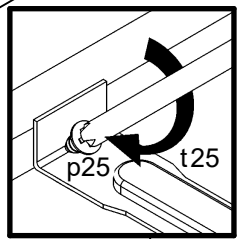
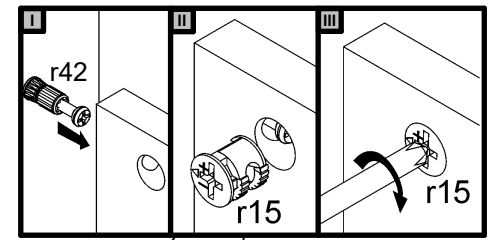
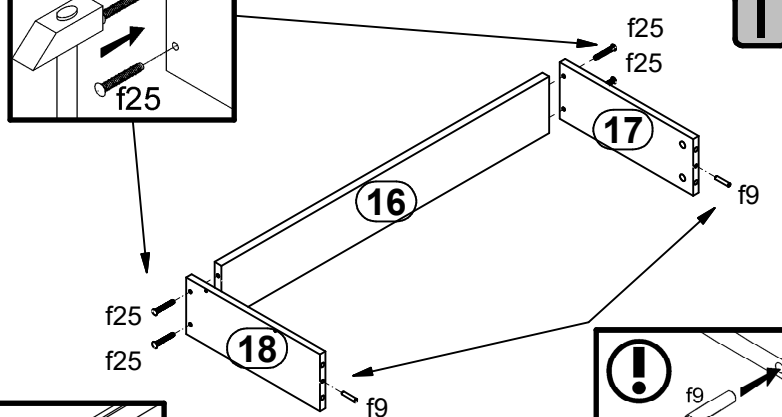
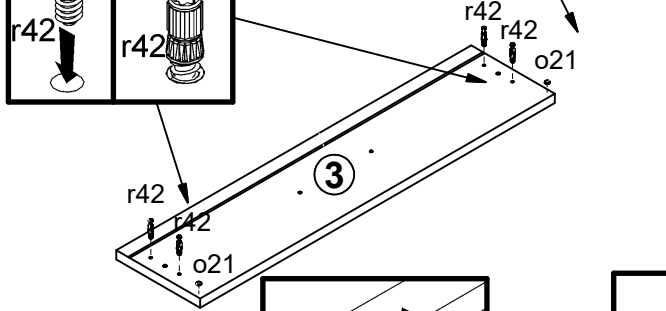
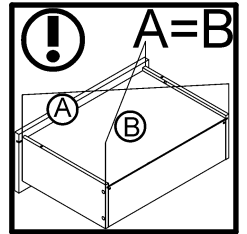
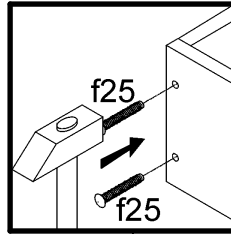
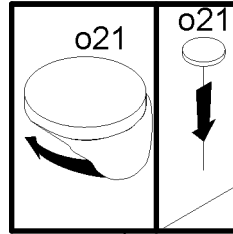
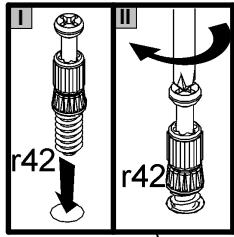
- 6x  k43 Ø48x10 mm
- 16x  r42 20/11
- 2x  b19 05
- 2x  l37

2 §2



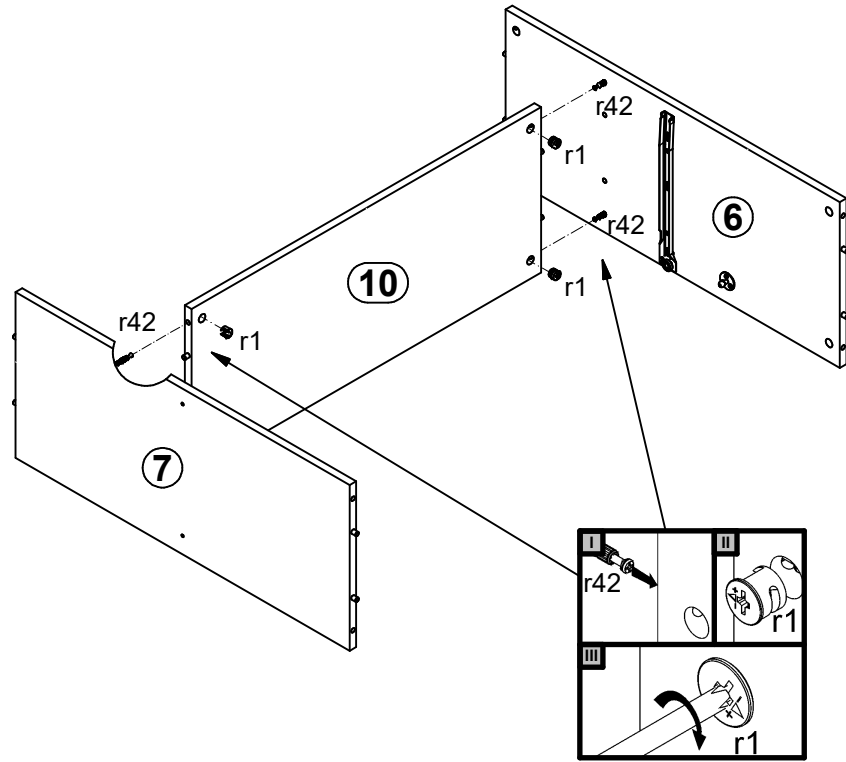
- 1x w37\CL 300 mm
- 1x w37\CR 300 mm
- 6x e3 Ø6x13 mm
- 6x p5 Ø3.5x13 mm
- 2x m57\1
- 4x b19
- 4x r42 20/11
- 22x f1 Ø8x30 mm


3 §2



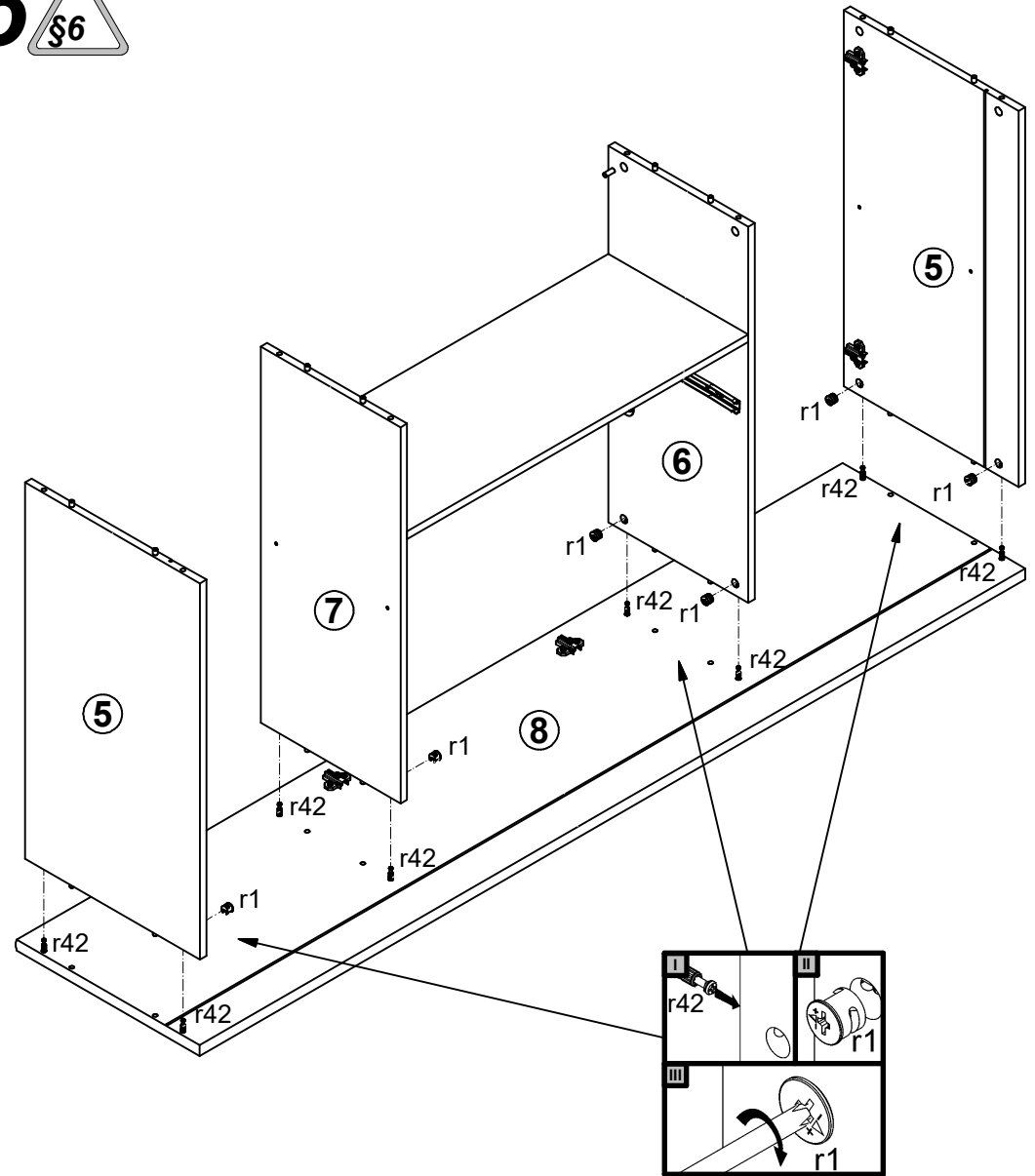
1x 300 mm w37\DL	1x 300 mm w37\DR	4x Ø5x9 mm e19	1x 300 mm t25	1x Ø3,5x16 mm p25	1x Ø3,5x10 mm p35
2x silikon o21	4x 20/11 r42	4x Ø6,5x40 mm f25	2x Ø6x30 mm f9	4x Ø12x10,5 mm #12 r15	1x 160 mm c193
				1x Ø4x30 mm p9	6x Ø3,5x16 mm p38


4 §6



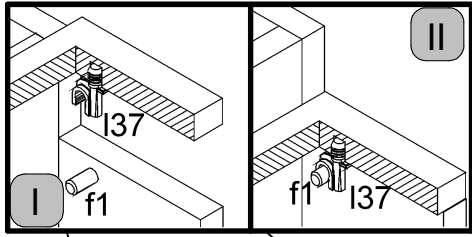
4x  r1
Ø15x12 mm #16

5 §6

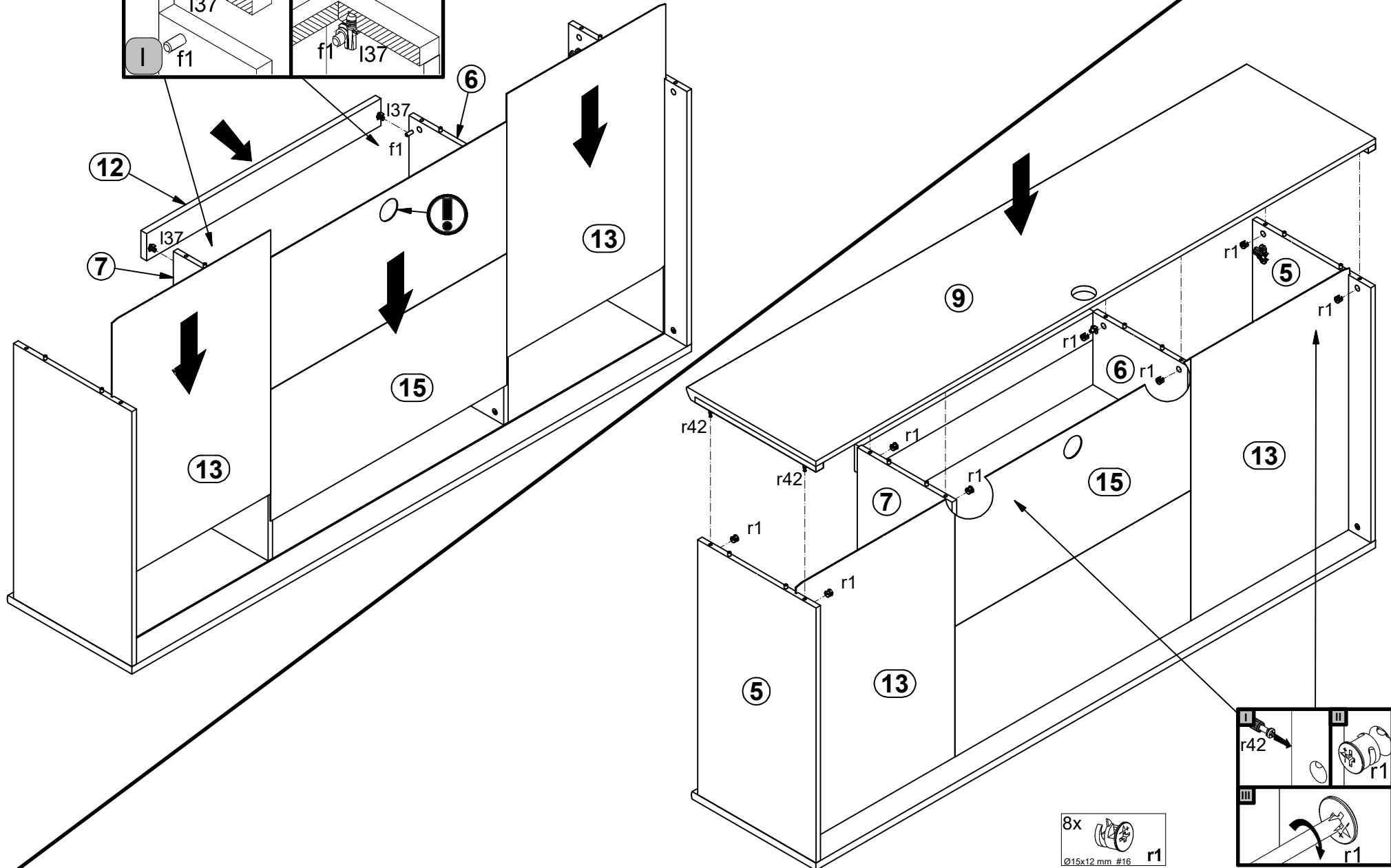


8x  r1
Ø15x12 mm #16

6 §6

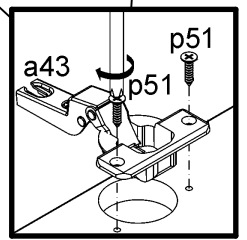
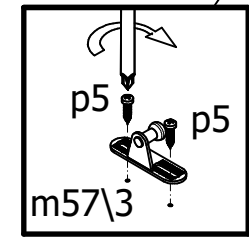
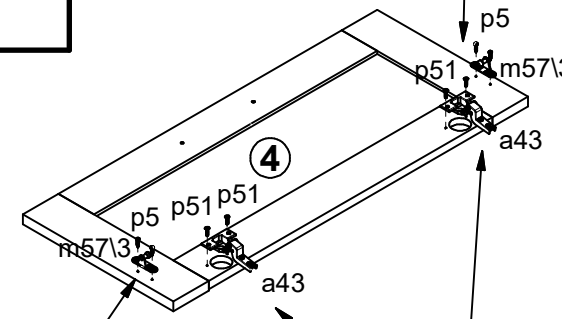
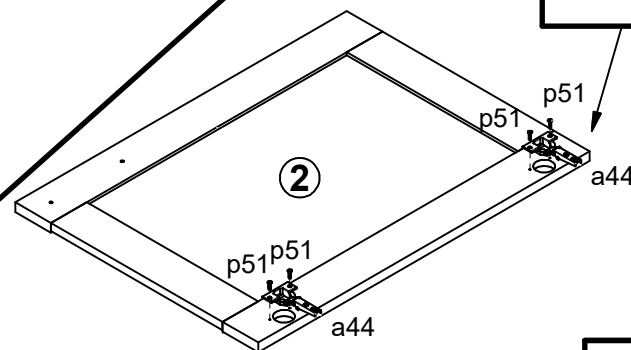
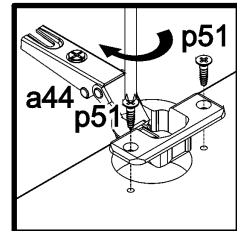
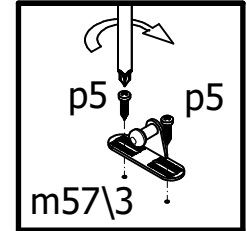
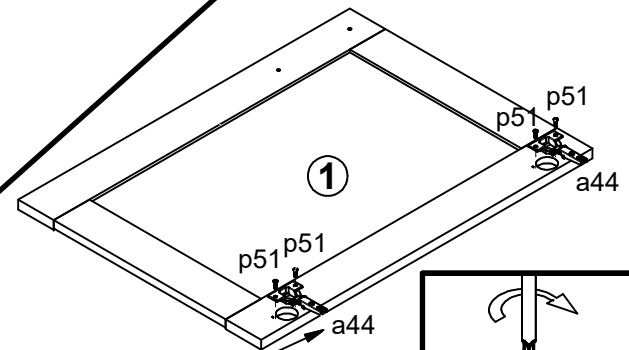
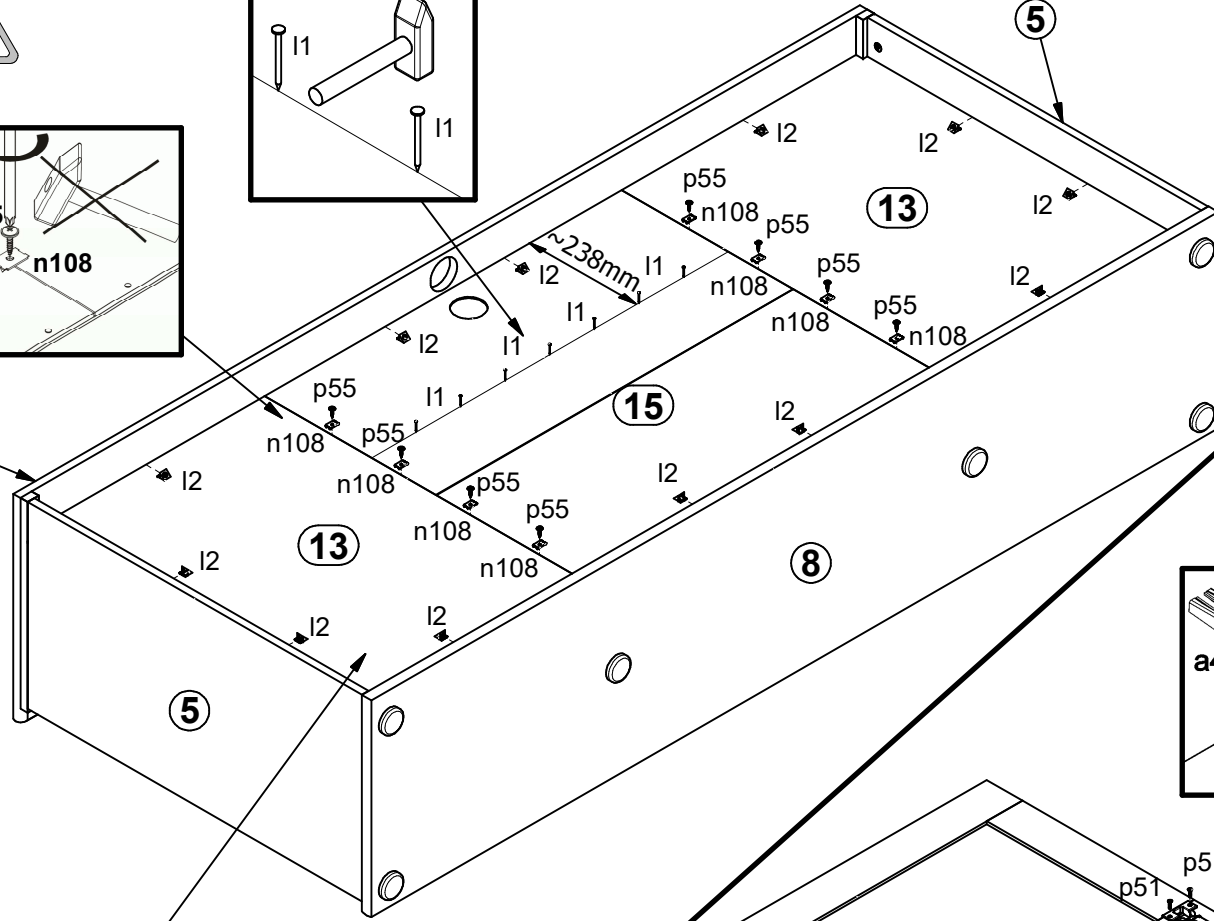
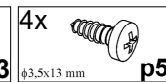
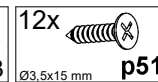
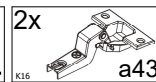
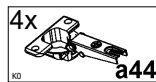
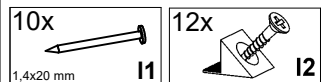
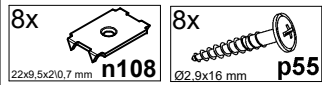
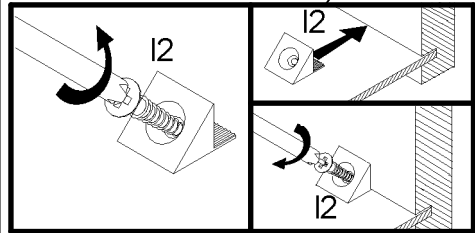
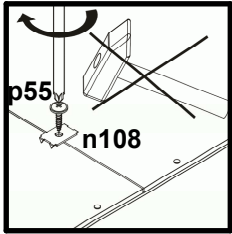
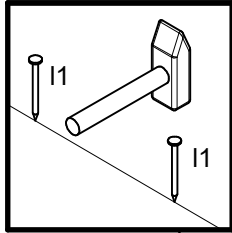
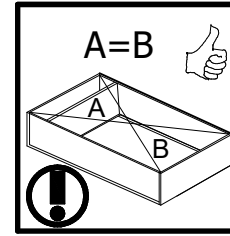


7 §6

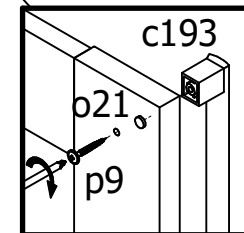
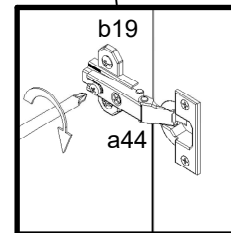
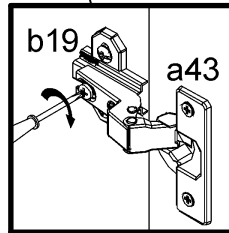
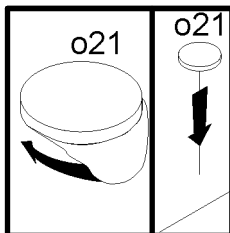
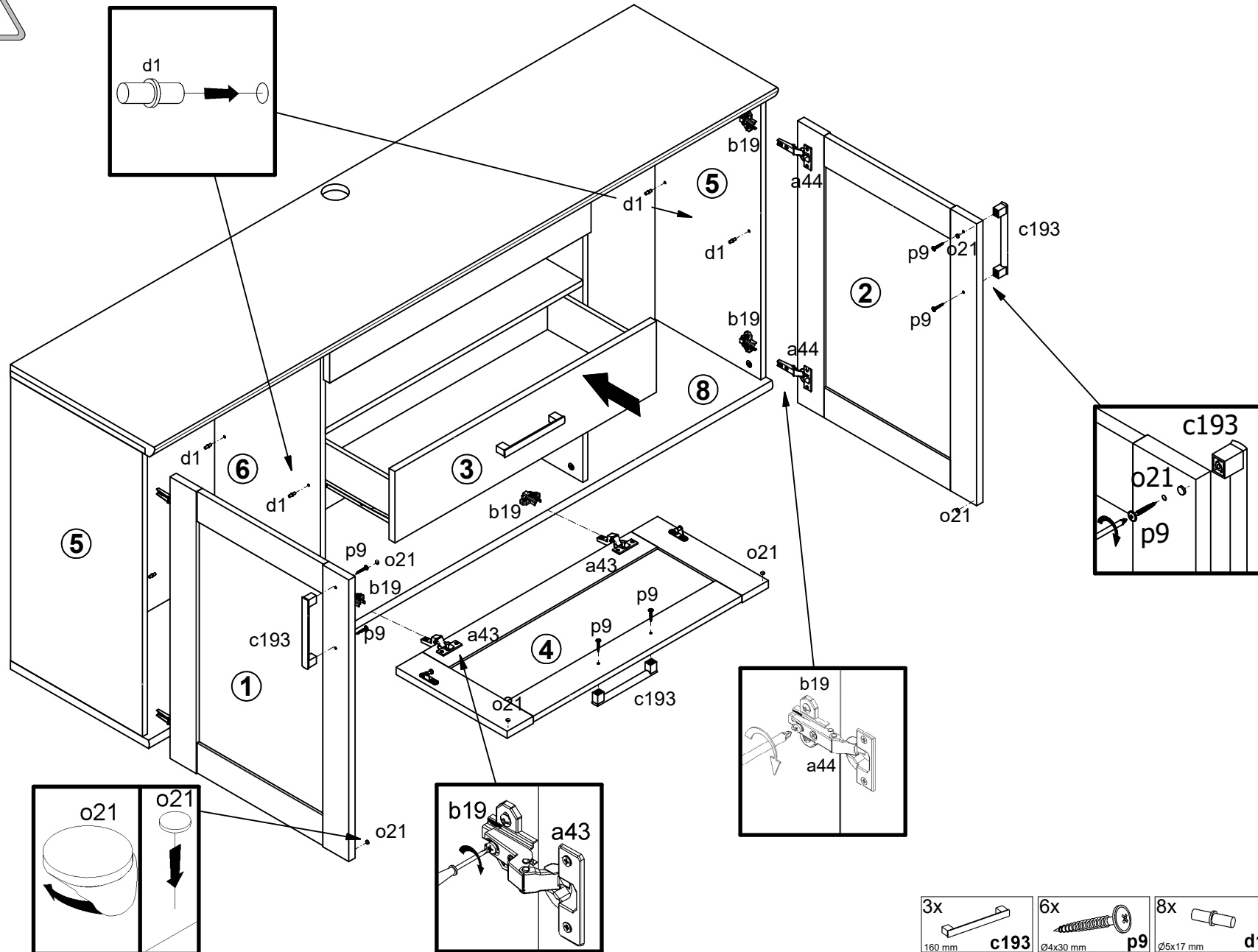


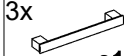

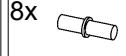

8 §6

9 §2

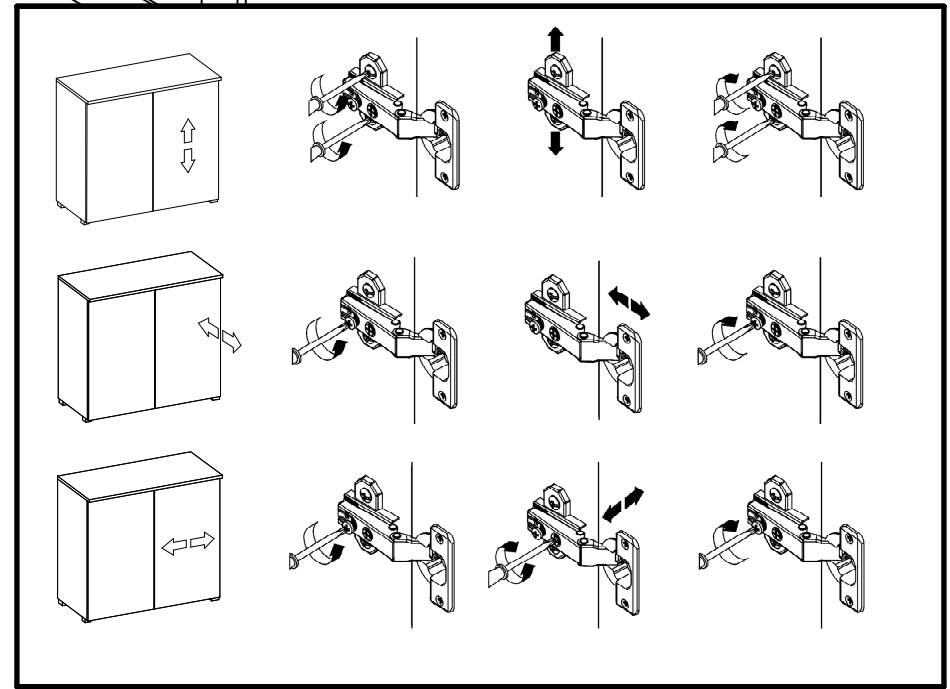
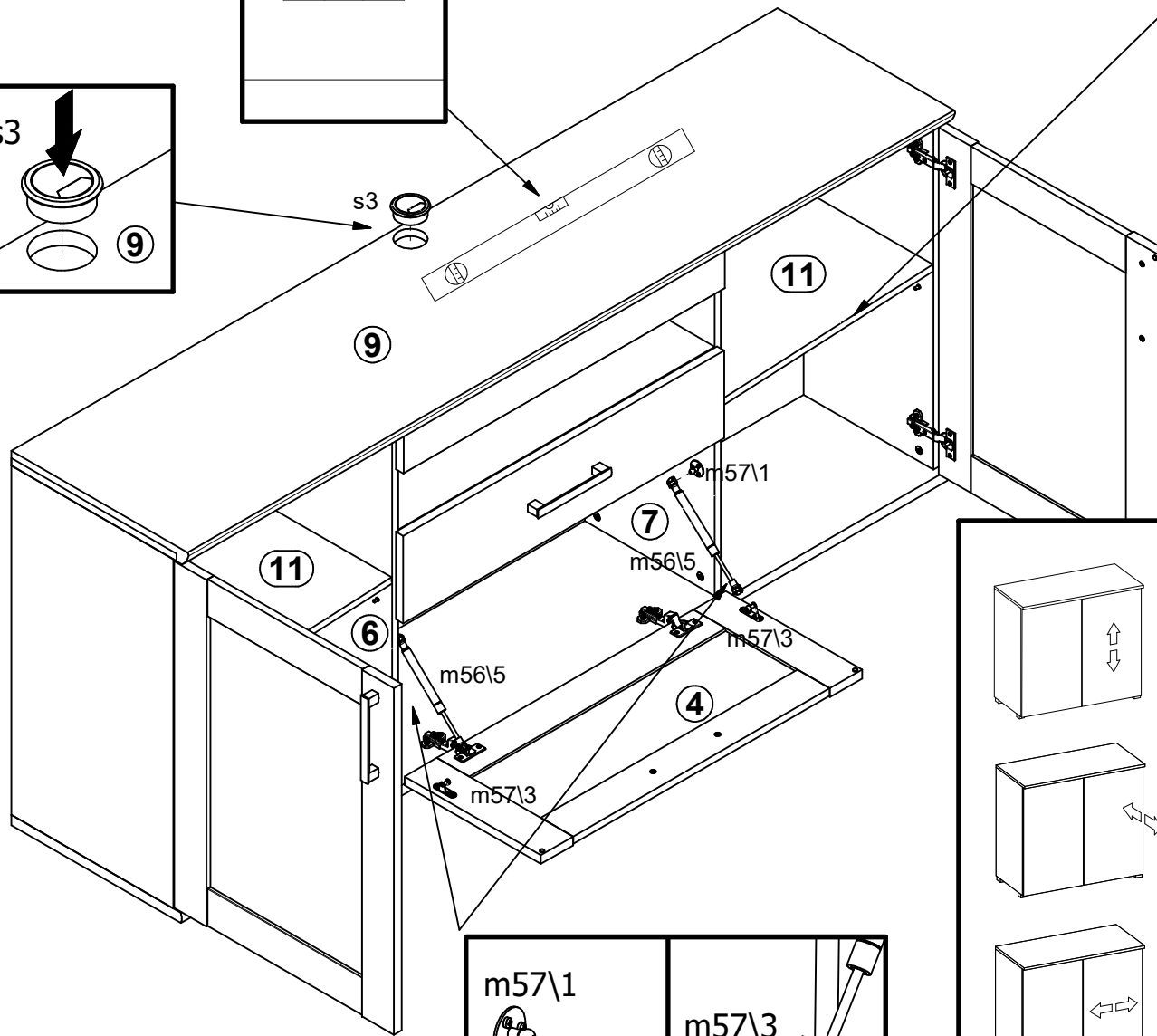
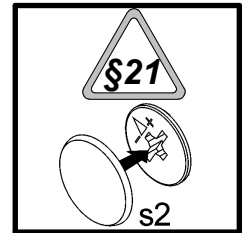
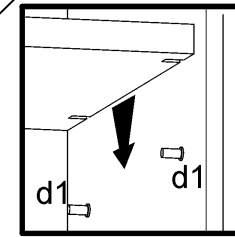
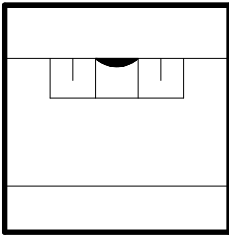
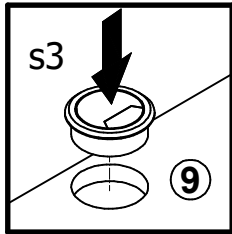


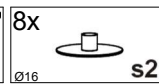
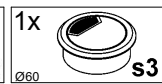
10 

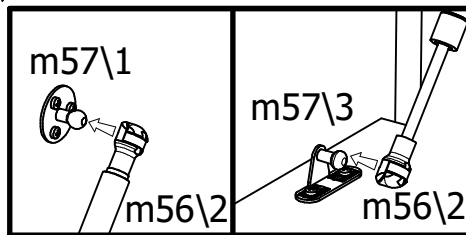


- 3x  160 mm **c193**
- 6x  Ø4x30 mm **p9**
- 8x  Ø5x17 mm **d1**
- 6x  silikon **o21**

11 



- 2x  m56\5
- 8x  s2
- 1x  s3



12 §6

