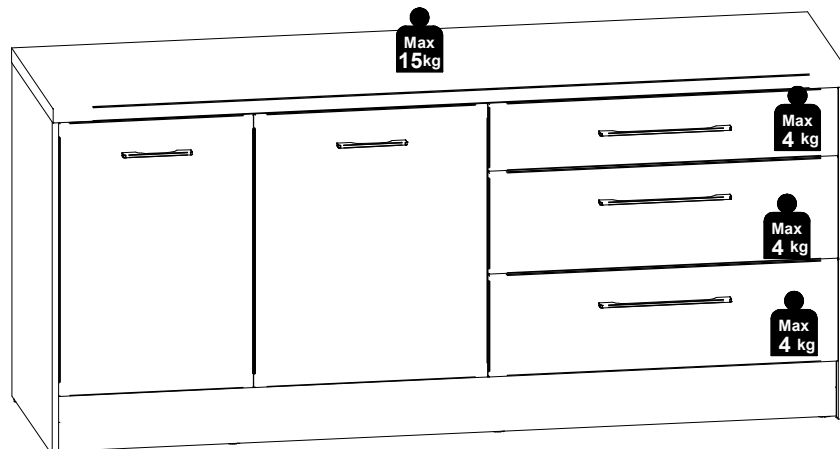
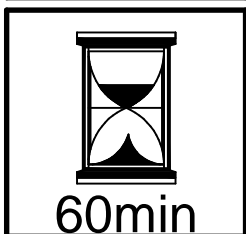


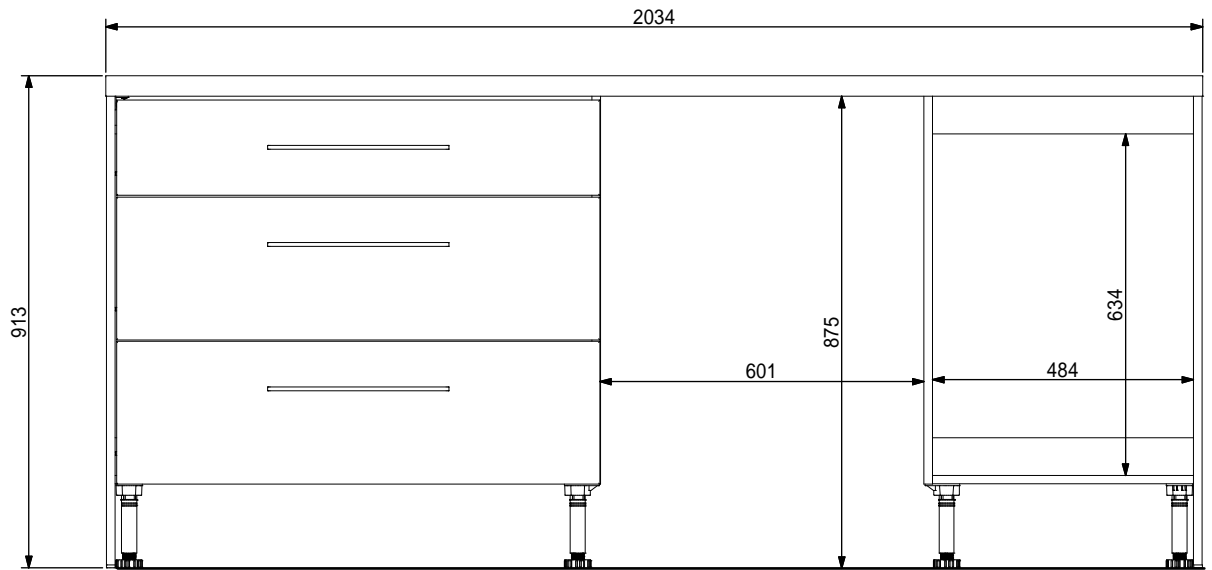
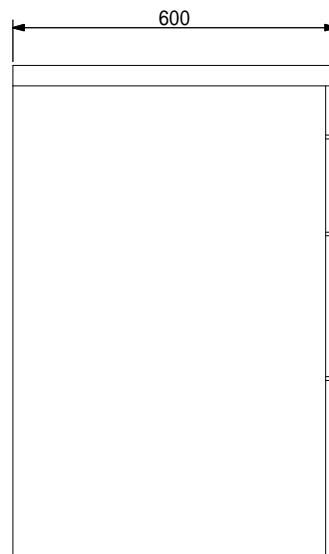
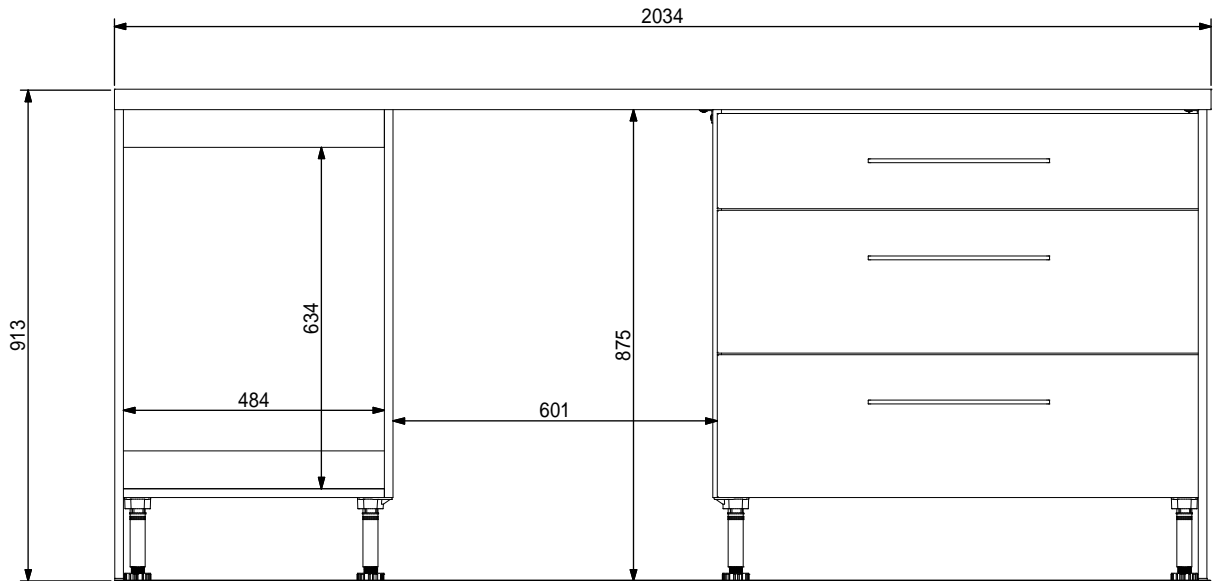
**A**

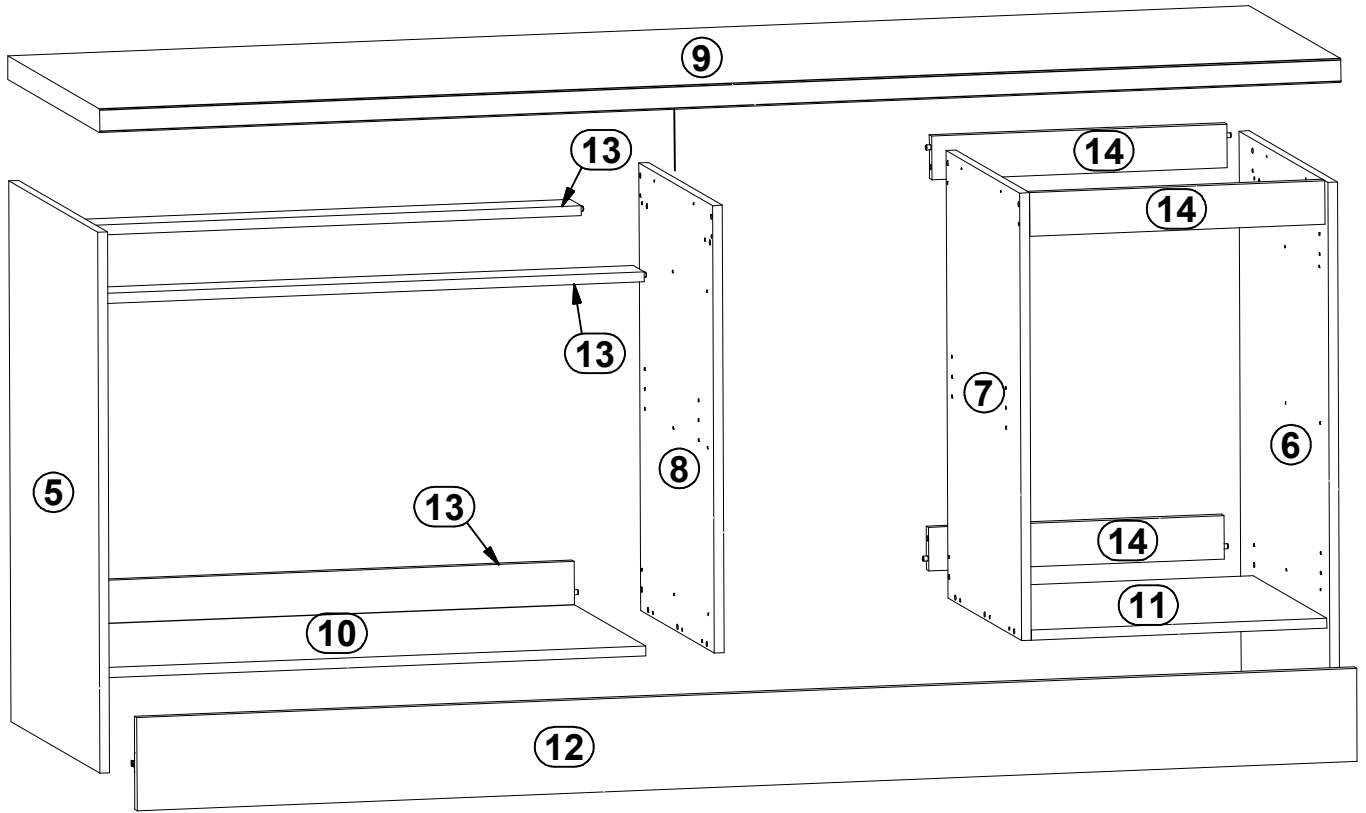


**B**

**A****S540-SFK2D3S****84-412**

2 / 20

**B**

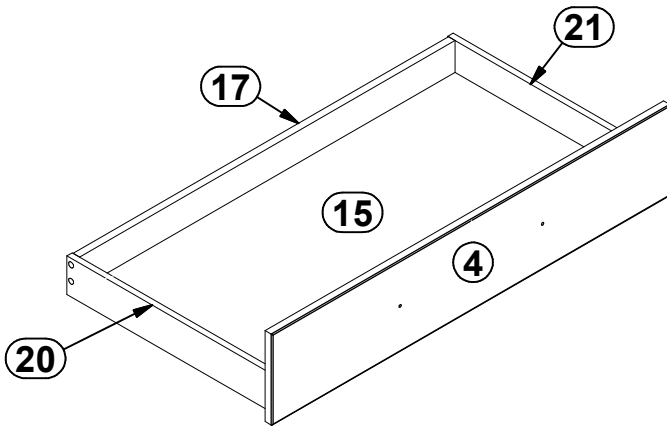


36x  20x11 r42	24x  Ø15x12 mm #16 r1	12x  Ø12x10,5 mm #12 r15
8x  Ø4x13 mm p28	4x  Ø3,5x15 mm p51	27x  Ø2,9x16 mm p55
32x  Ø4x16 mm p69	6x  Ø3,5x16 mm p25	6x  Ø3,5x10 mm p35
12x  Ø6,5x40 mm f25	10x  M4x25 mm j8	4x  k1
3x  Ø20 mm c539	12x  Ø6x13 mm e3	24x  Ø8x30 mm f1
2x  k18 Ø35 a172	2x  Ø5 b42	2x  Ø176 mm c539/2

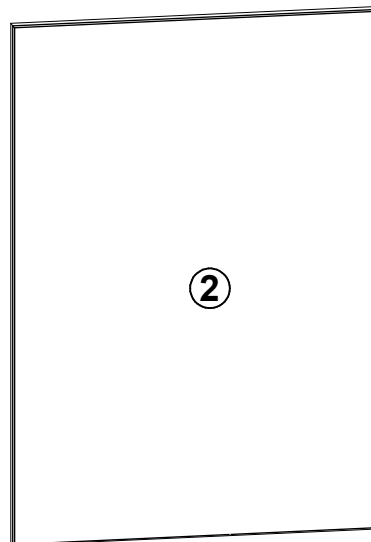
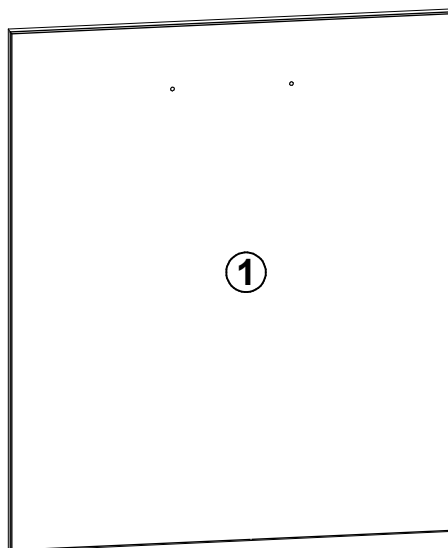
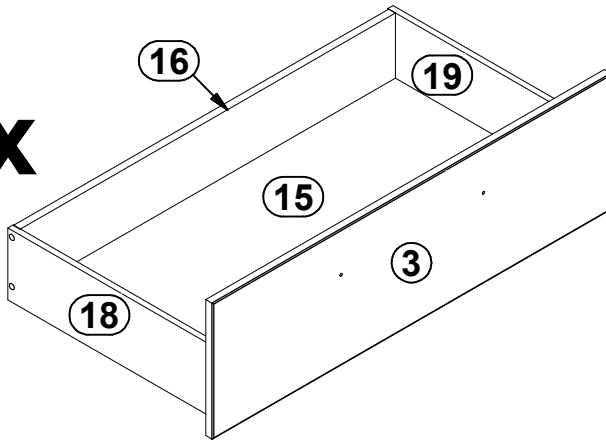
3x  L=450 mm w196/L	3x  L=450 mm w196/P	6x  450 mm t38
8x  25x25x16/2 n110	16x  Ø4x16 mm p131	2x  Ø35x62x40x10 s71
8x  k66/1	4x  k66/4	8x  k66/5
		8x  k66/6



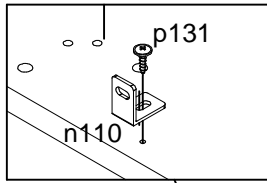
A	B	C1	C2	C3	D
1	S540-0001	713	596	16	3/4
2	S540-0002	713	496	16	3/4
3	S540-0003	896	265	16	3/4
4	S540-0004	896	177	16	3/4
5	S540-1001	870	580	16	1/4
6	S540-1002	870	580	16	1/4
7	S540-1003	720	481	16	1/4
8	S540-1004	720	481	16	1/4
9	S540-2001	2034	600	38	2/4
10	S540-3001	884	481	16	4/4
11	S540-3002	484	481	16	1/4
12	S540-4001	1999	150	16	2/4
13	S540-4002	884	70	16	3/4
14	S540-4004	484	70	16	3/4
15	WSP-9412	854	458	2.5	4/4
16	ZQ6-5248	844	127	15	4/4
17	ZQ6-5250	844	62	15	4/4
18	ZQ6-535	450	140	12	4/4
19	ZQ6-536	450	140	12	4/4
20	ZQ6-539	450	75	12	4/4
21	ZQ6-540	450	75	12	4/4



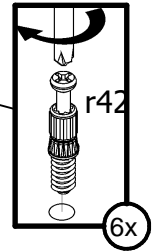
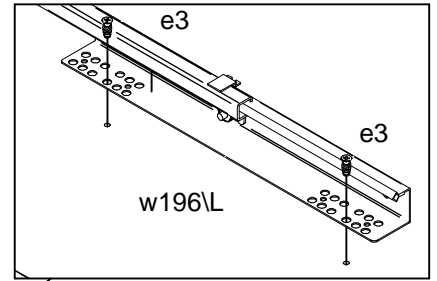
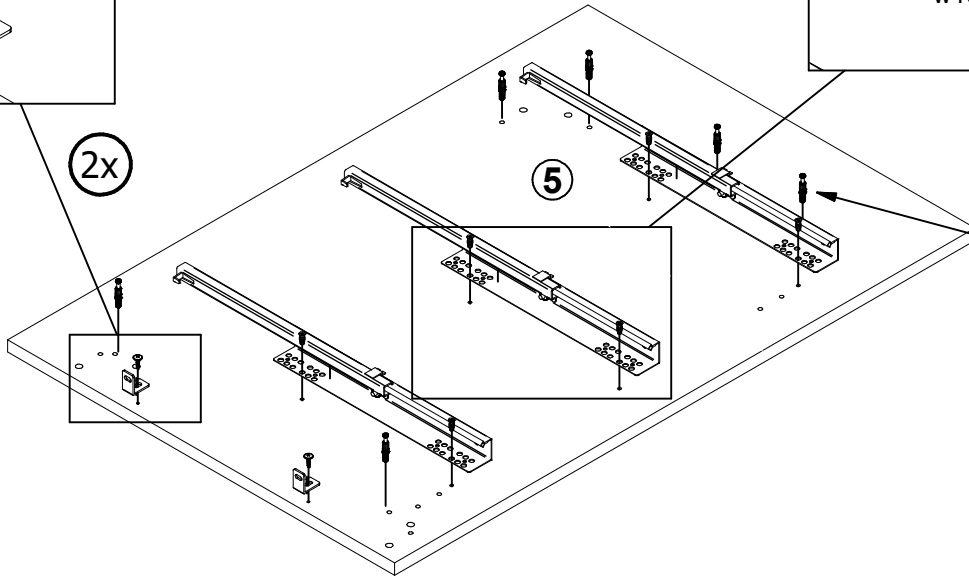
2x



# 1A

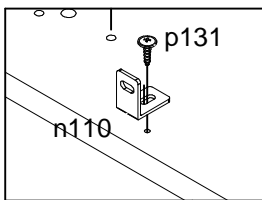


2x

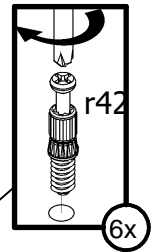
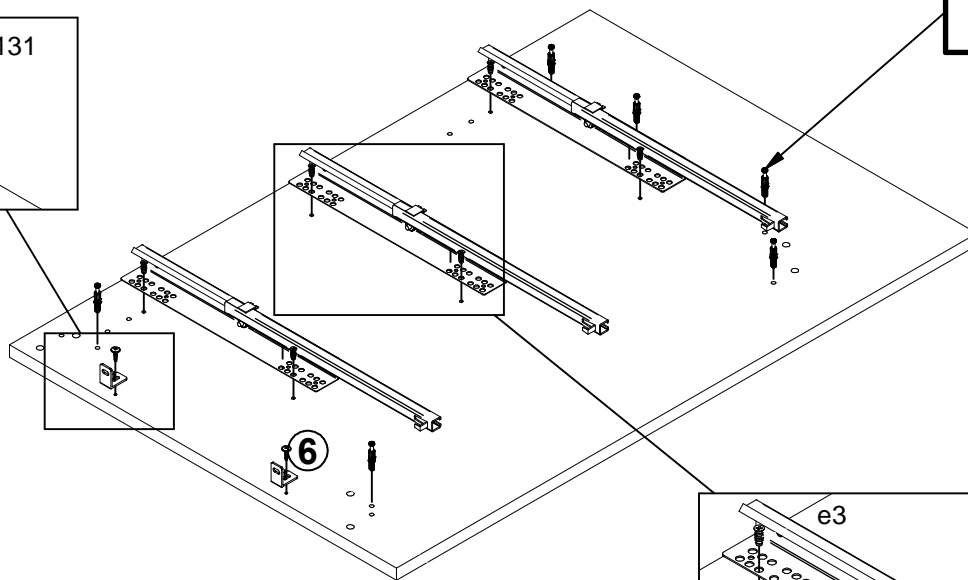


6x

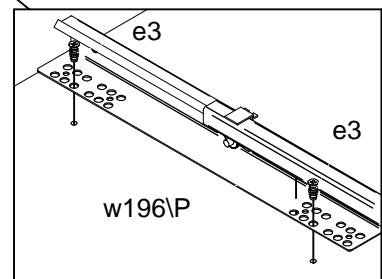
# 1B



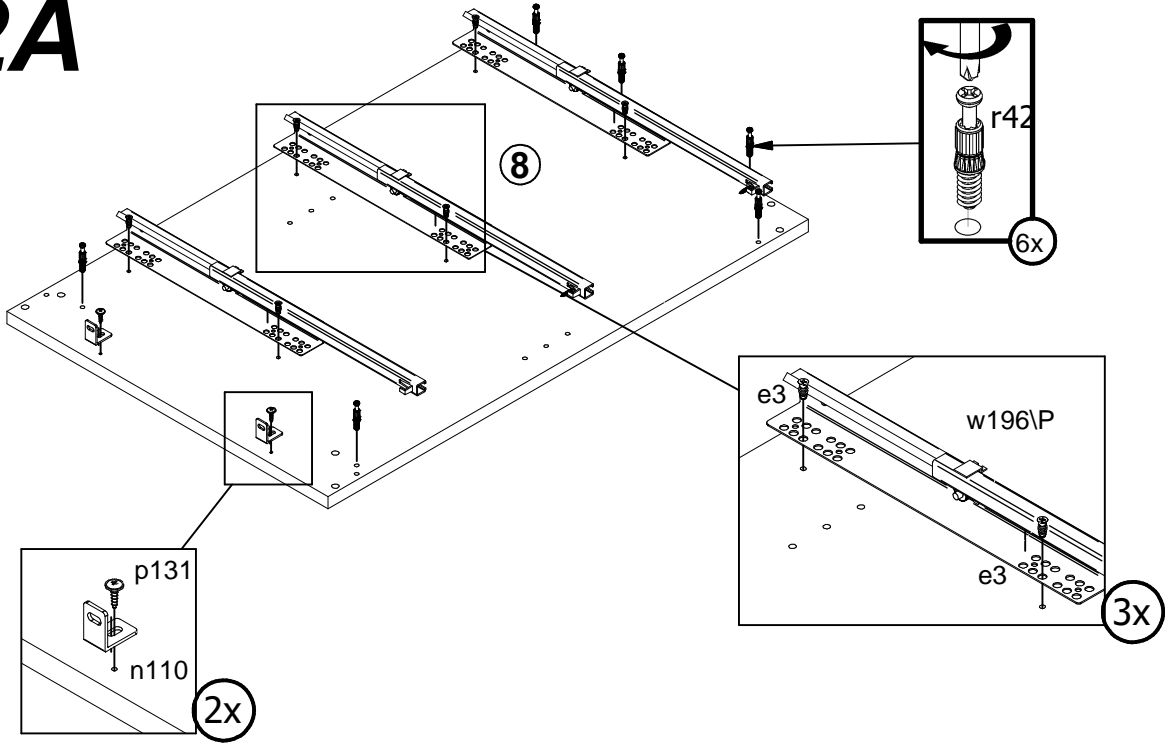
6



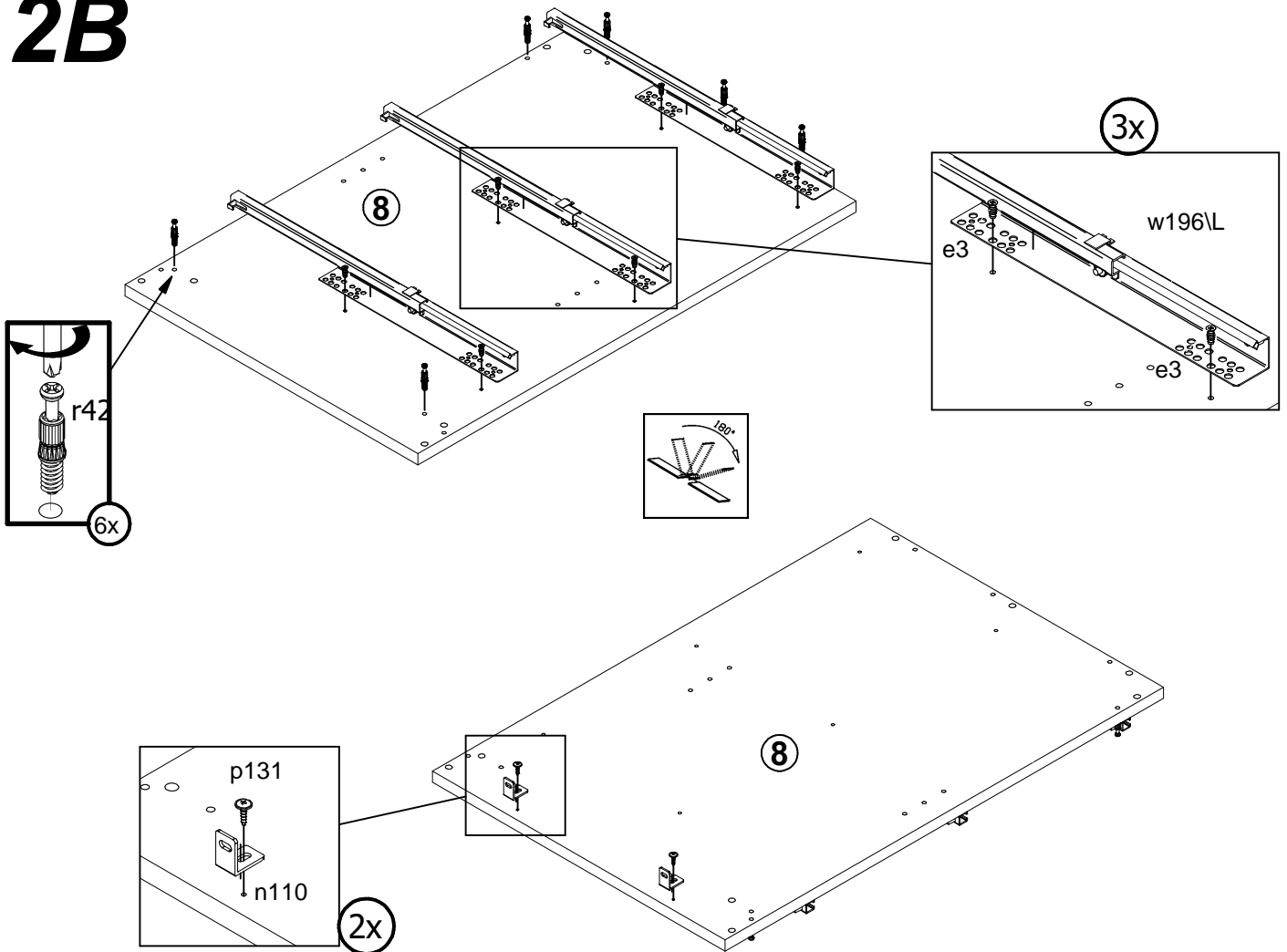
6x



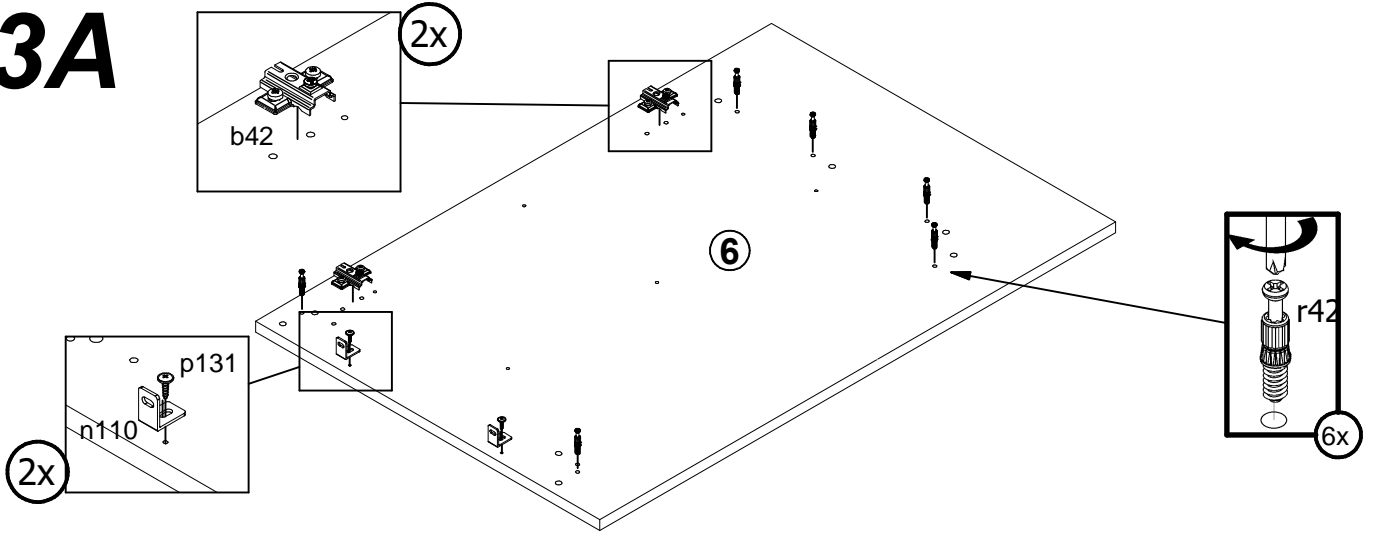
# 2A



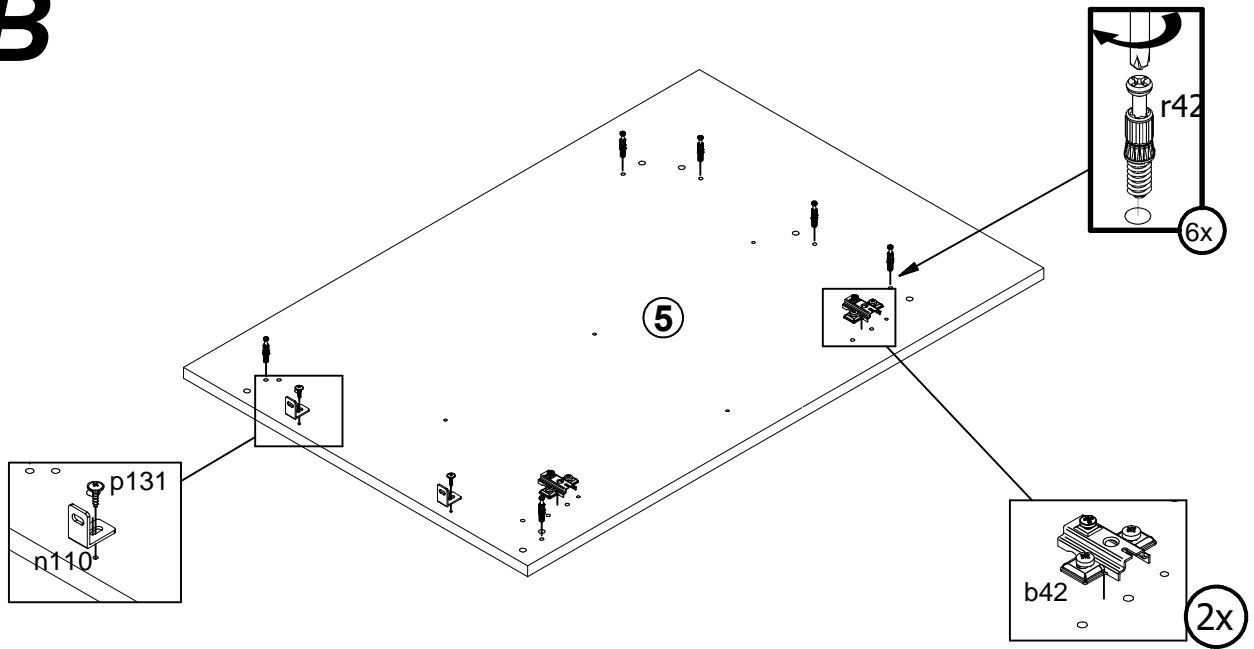
# 2B



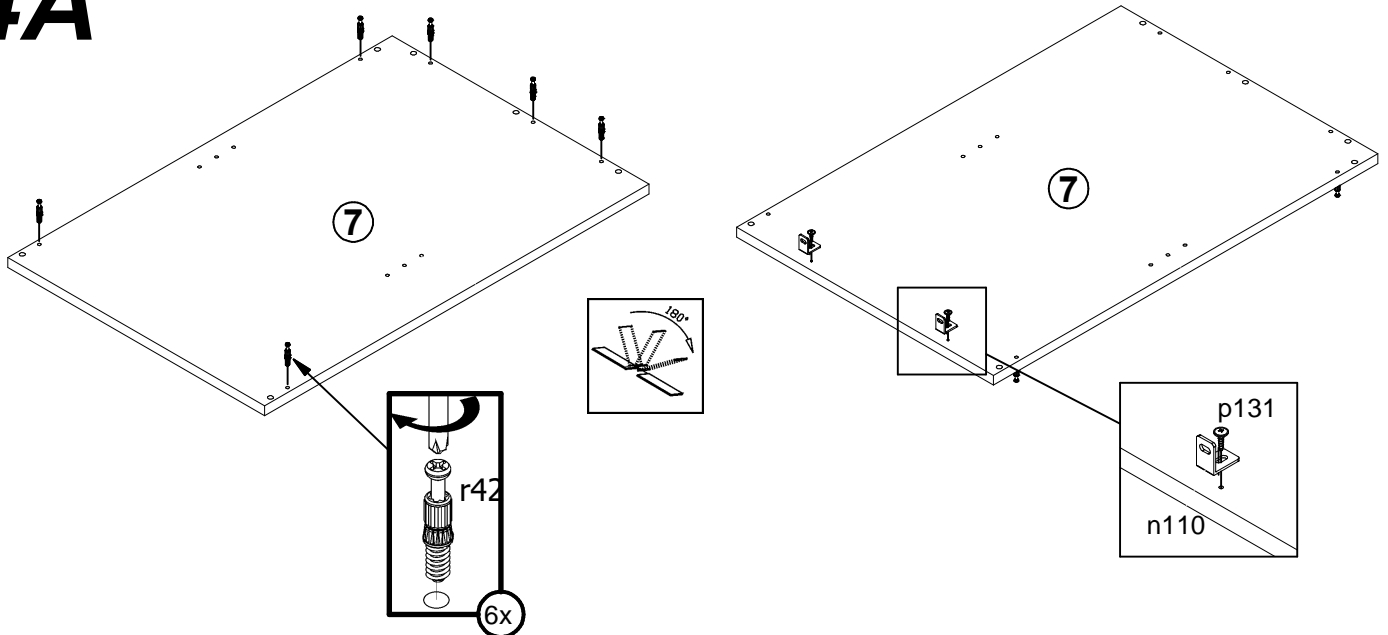
# 3A



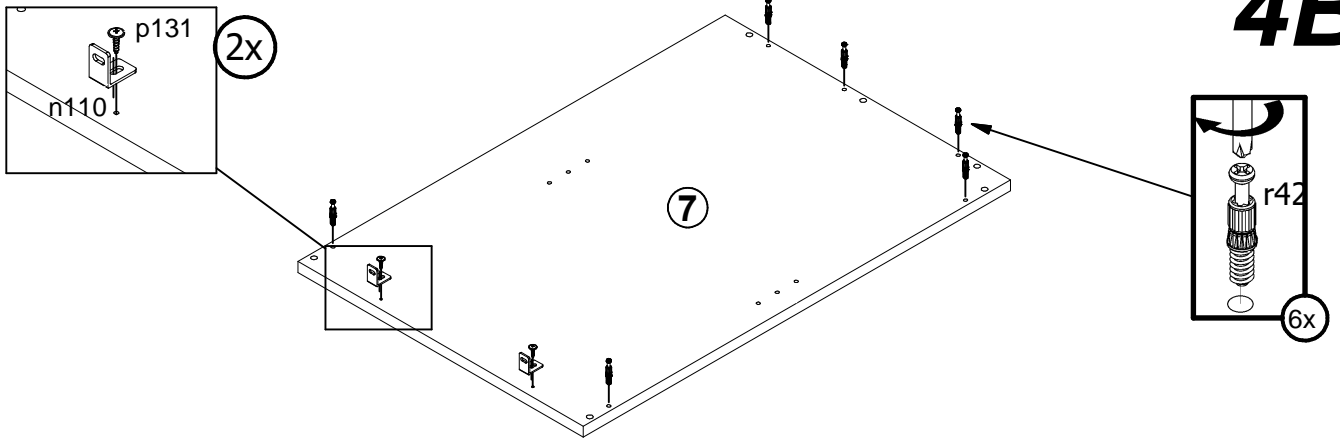
# 3B



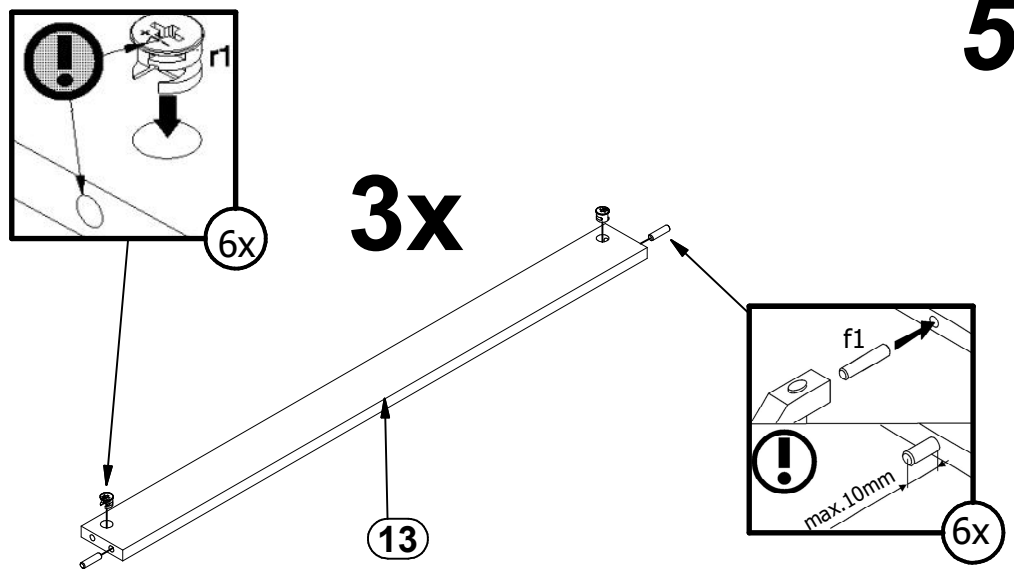
# 4A



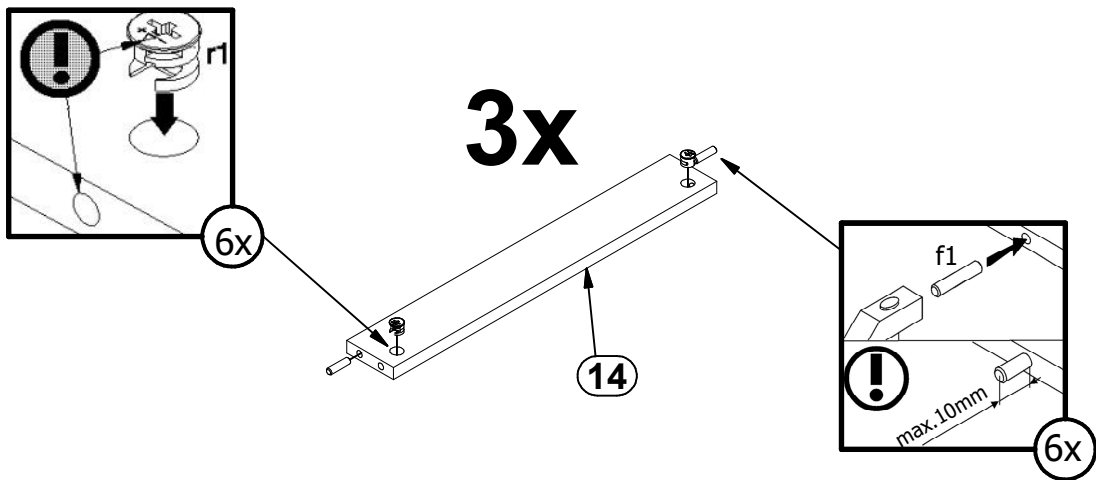
4B



5

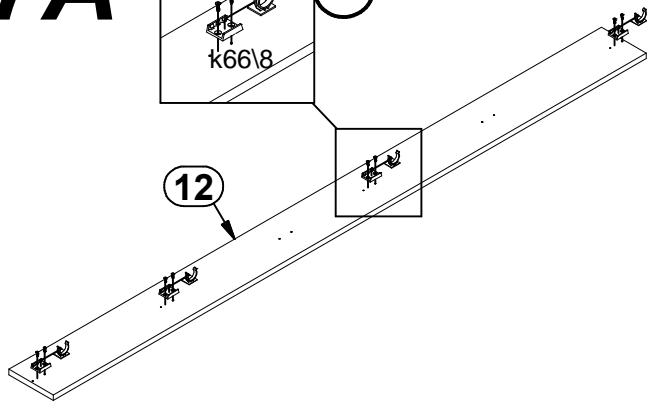
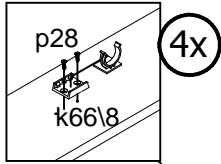


6

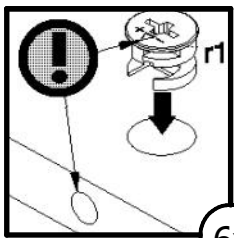
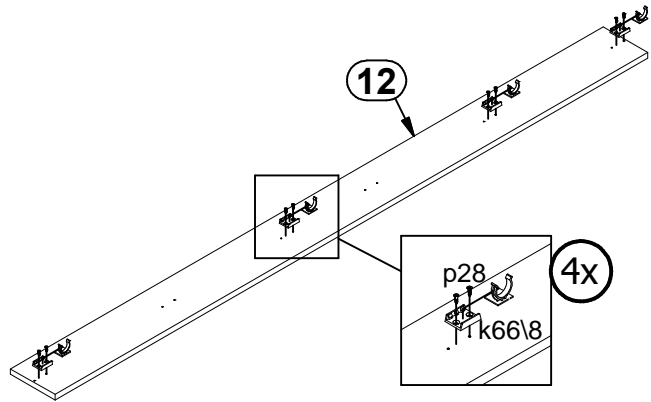
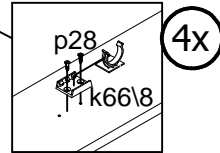




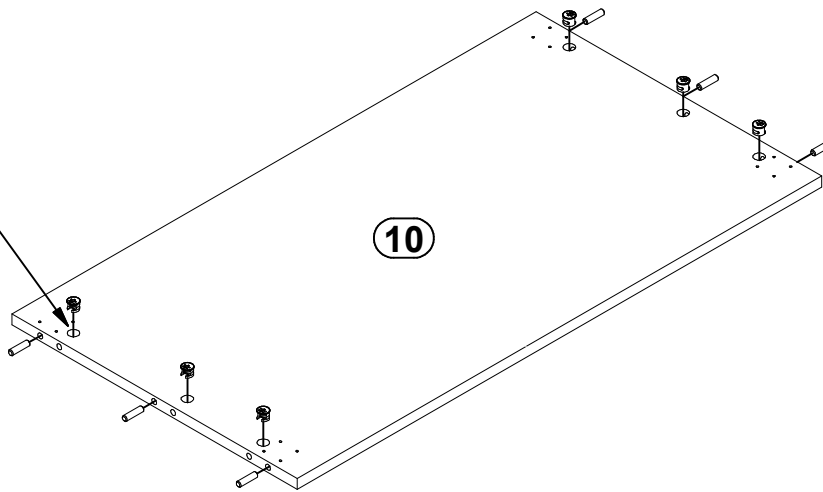
# 7A



# 7B

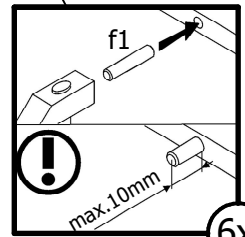


6x

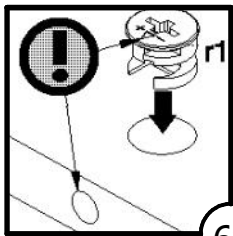


10

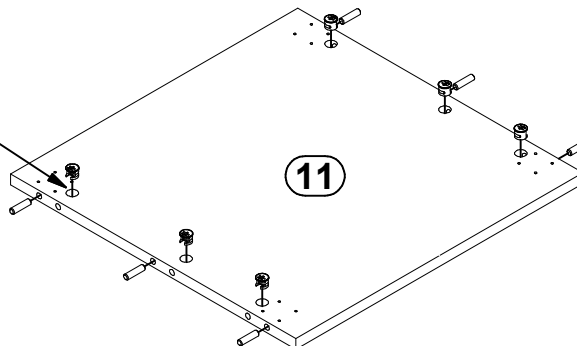
# 8



6x

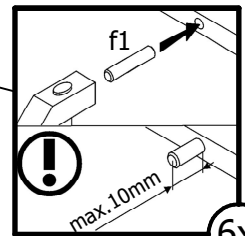


6x

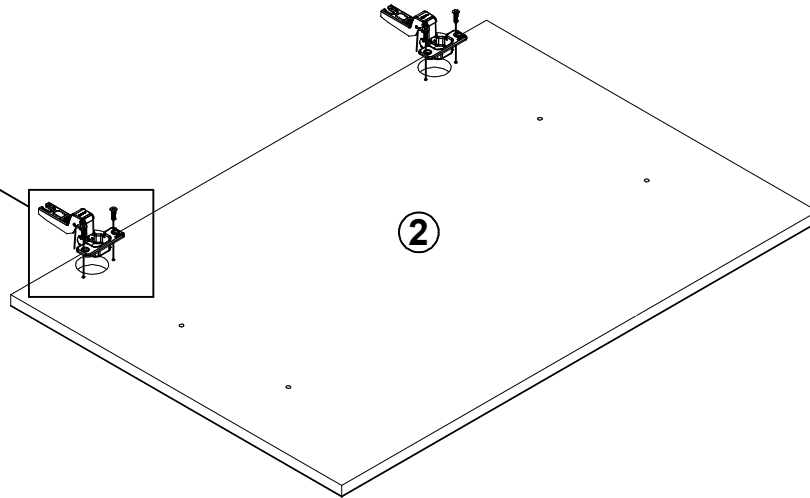
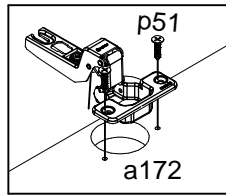


11

# 9

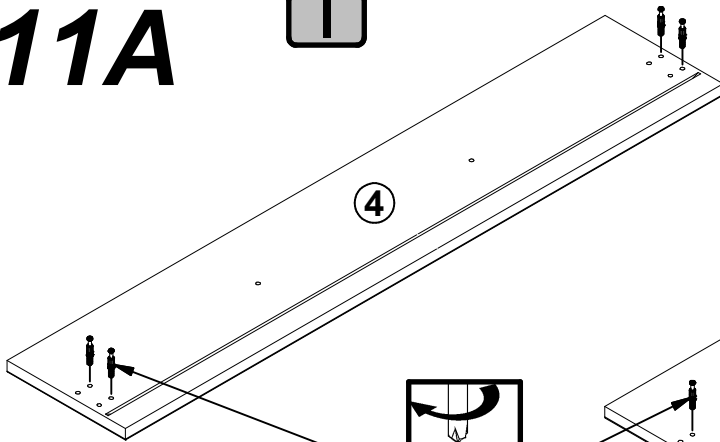


6x

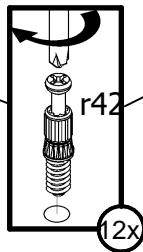
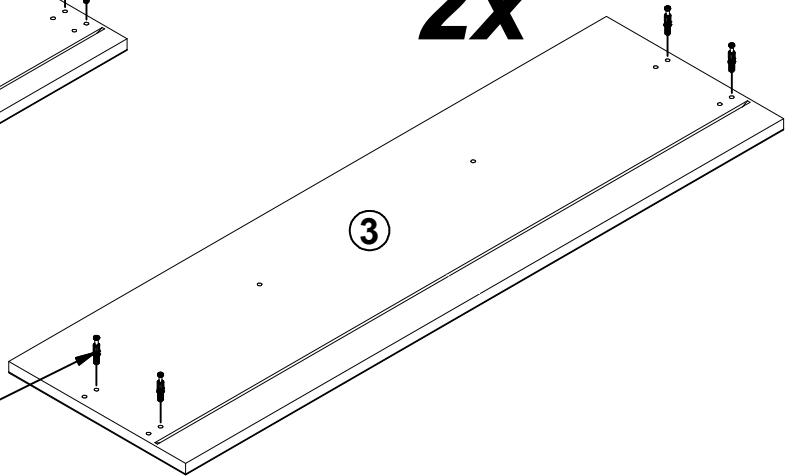


10

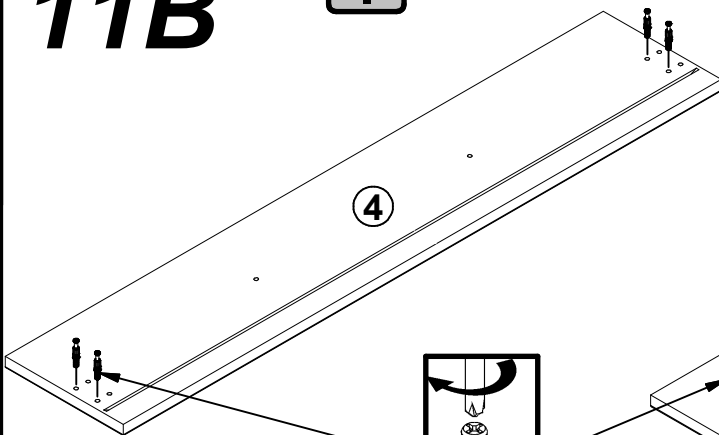
11A



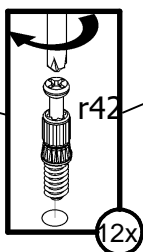
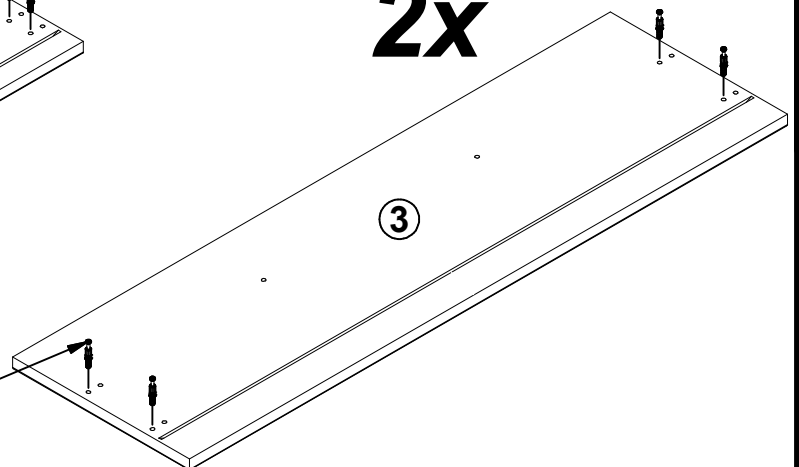
2x



11B

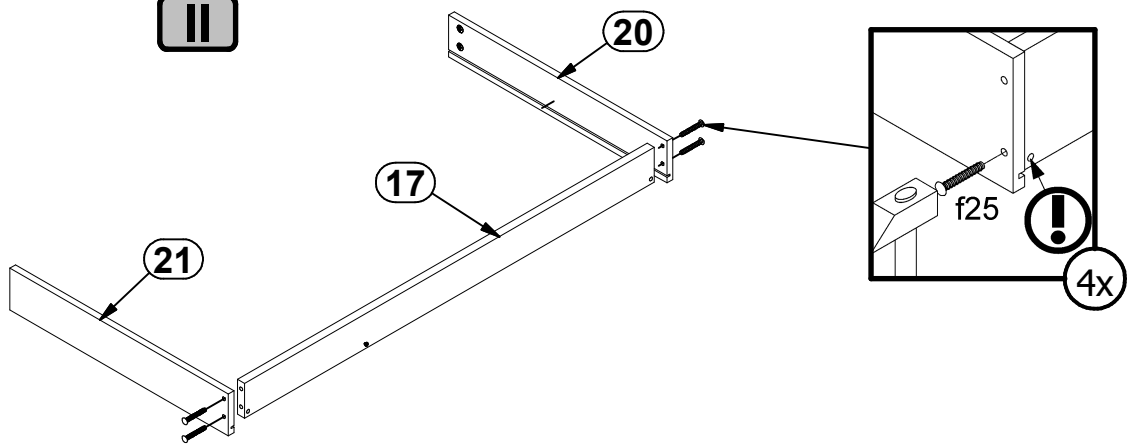


2x

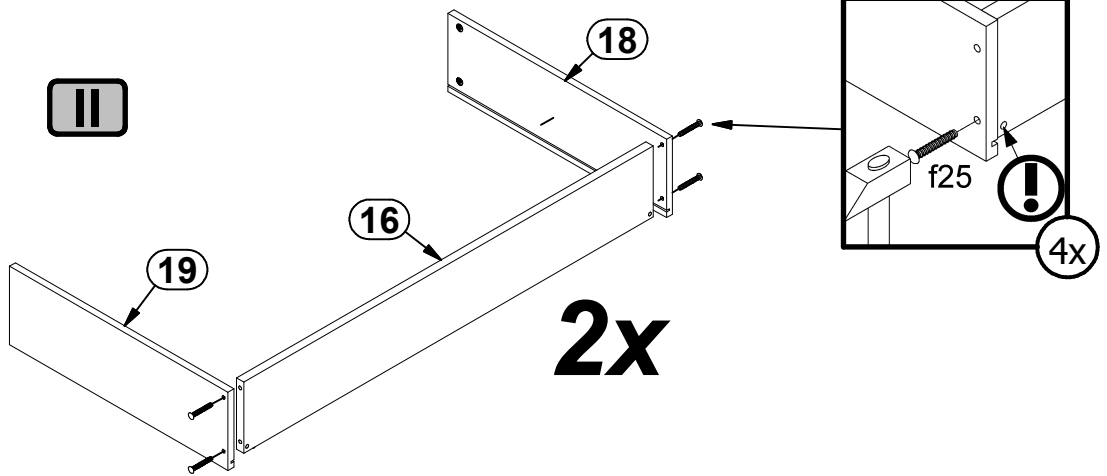


12

II

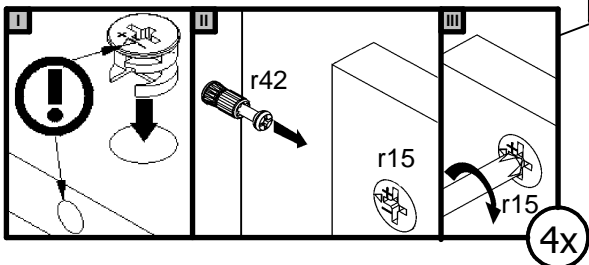
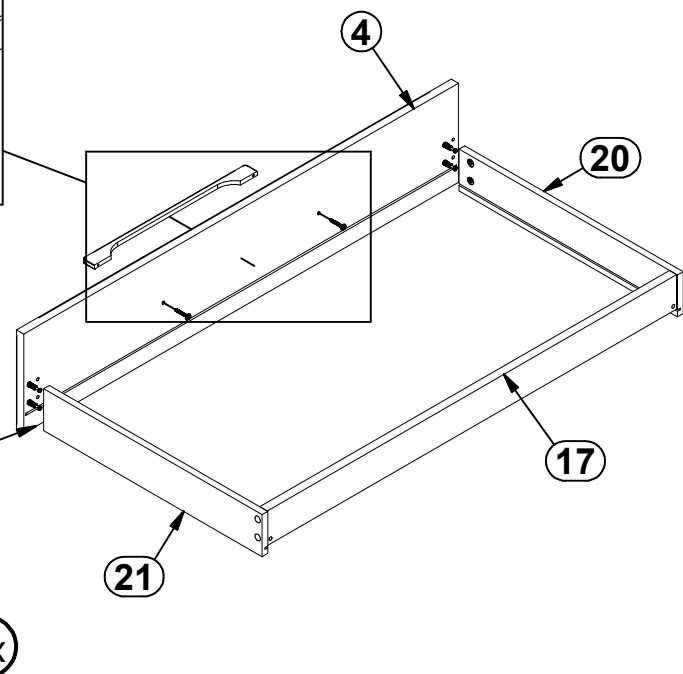
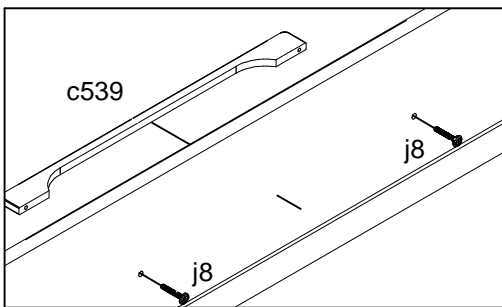


II



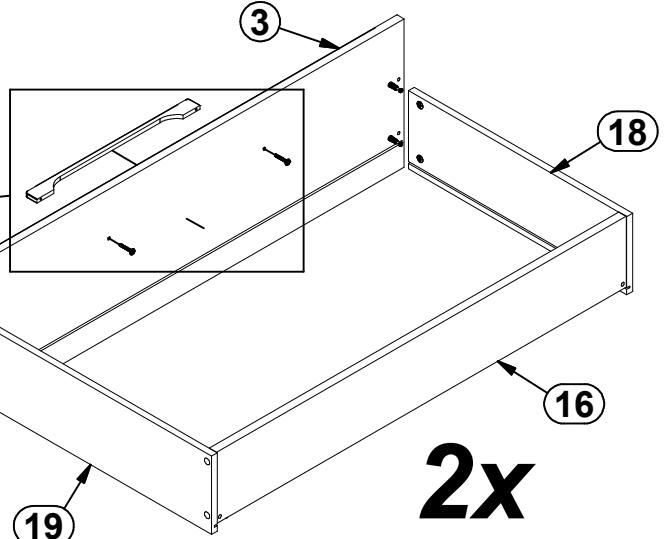
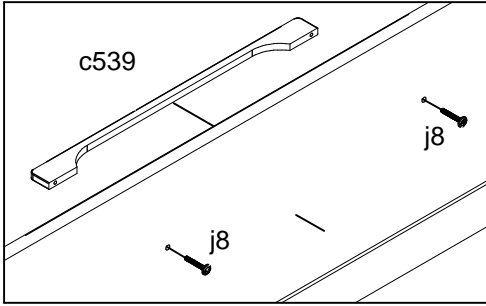
2x

III

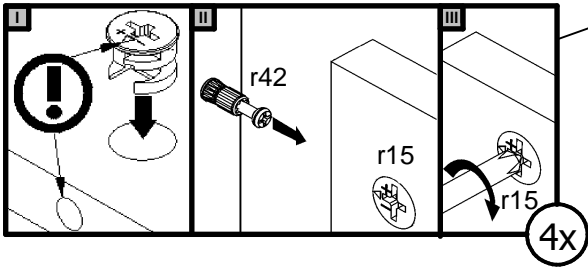


12

III

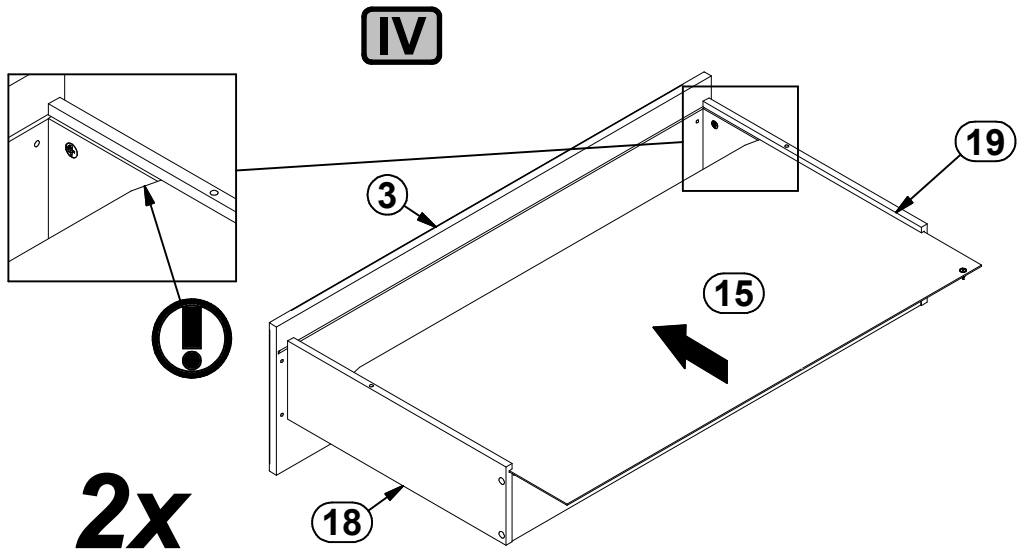
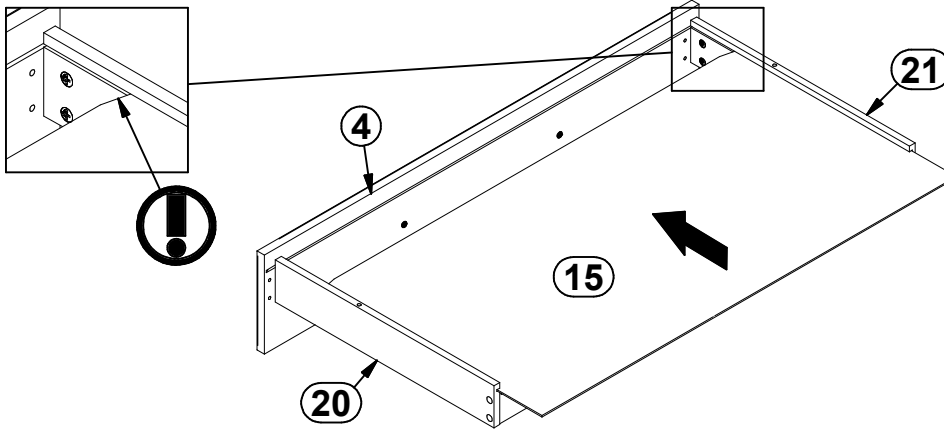


2x

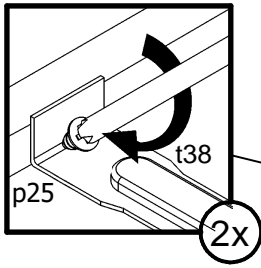


12

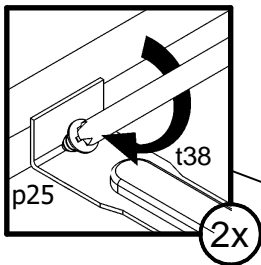
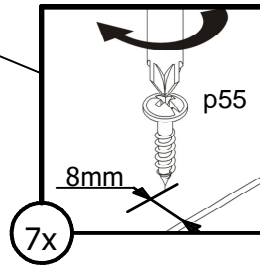
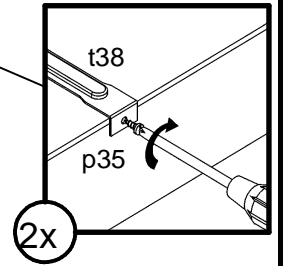
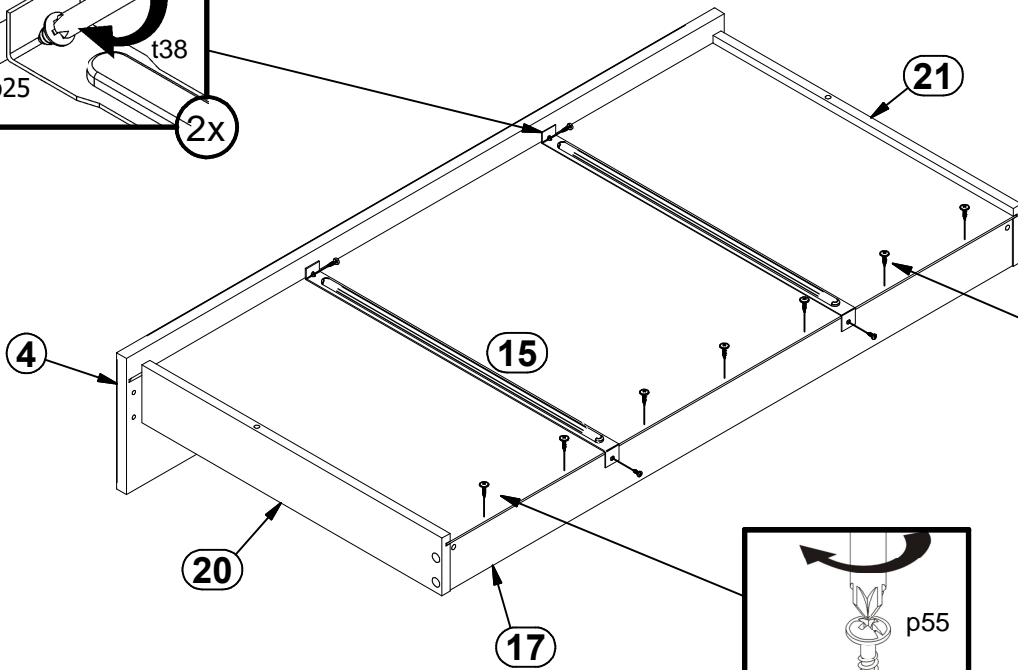
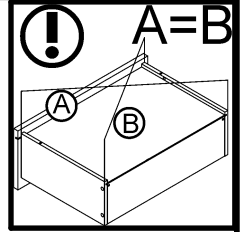
IV



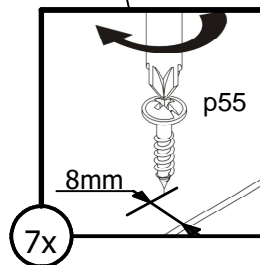
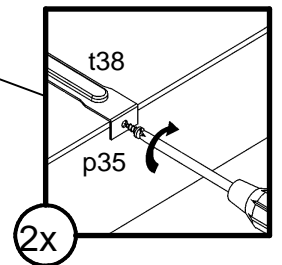
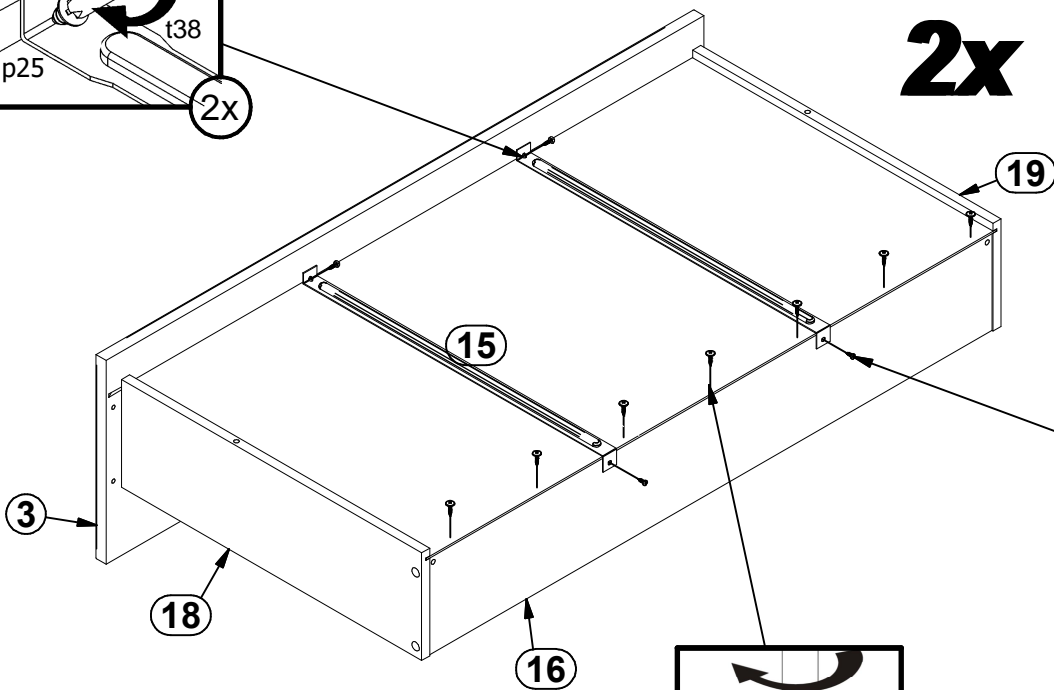
2x

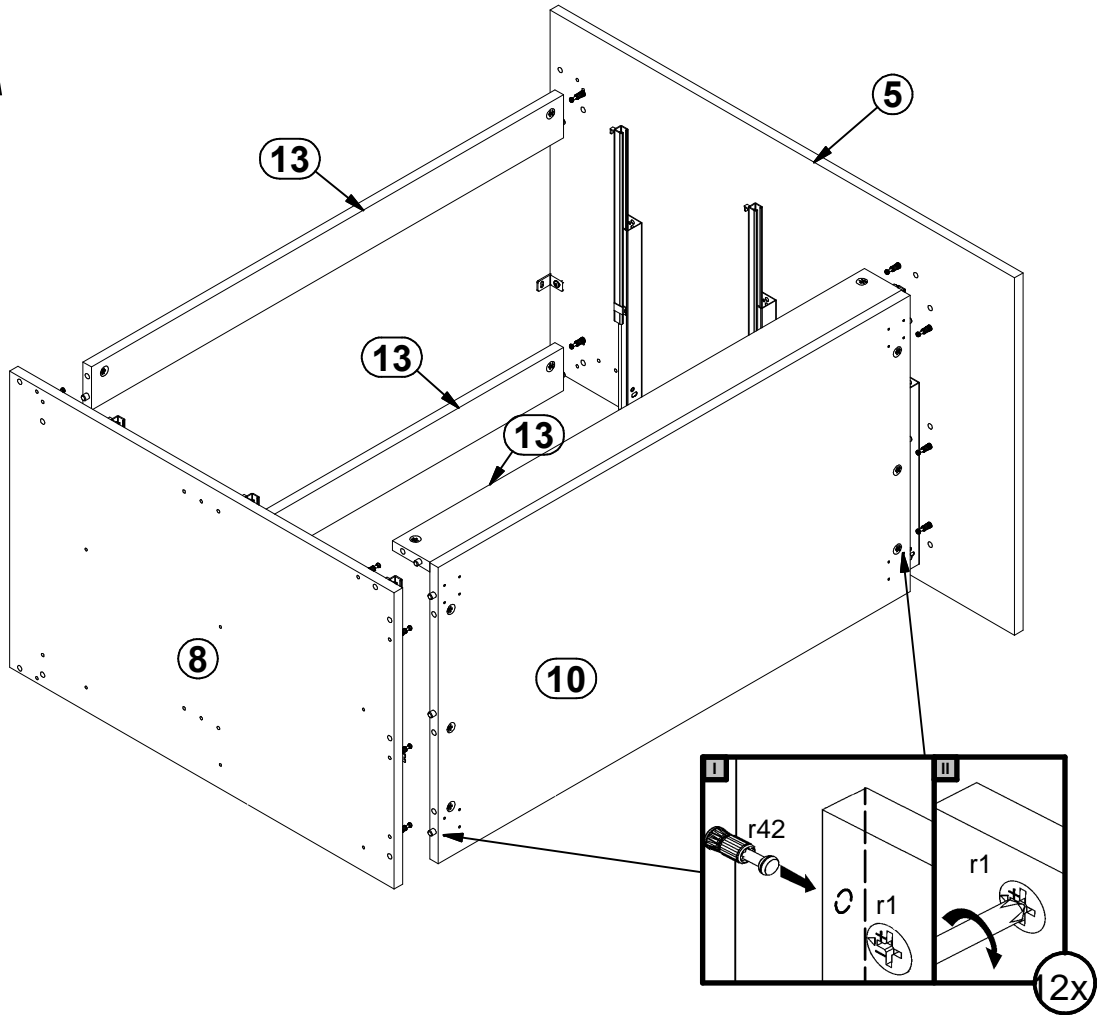
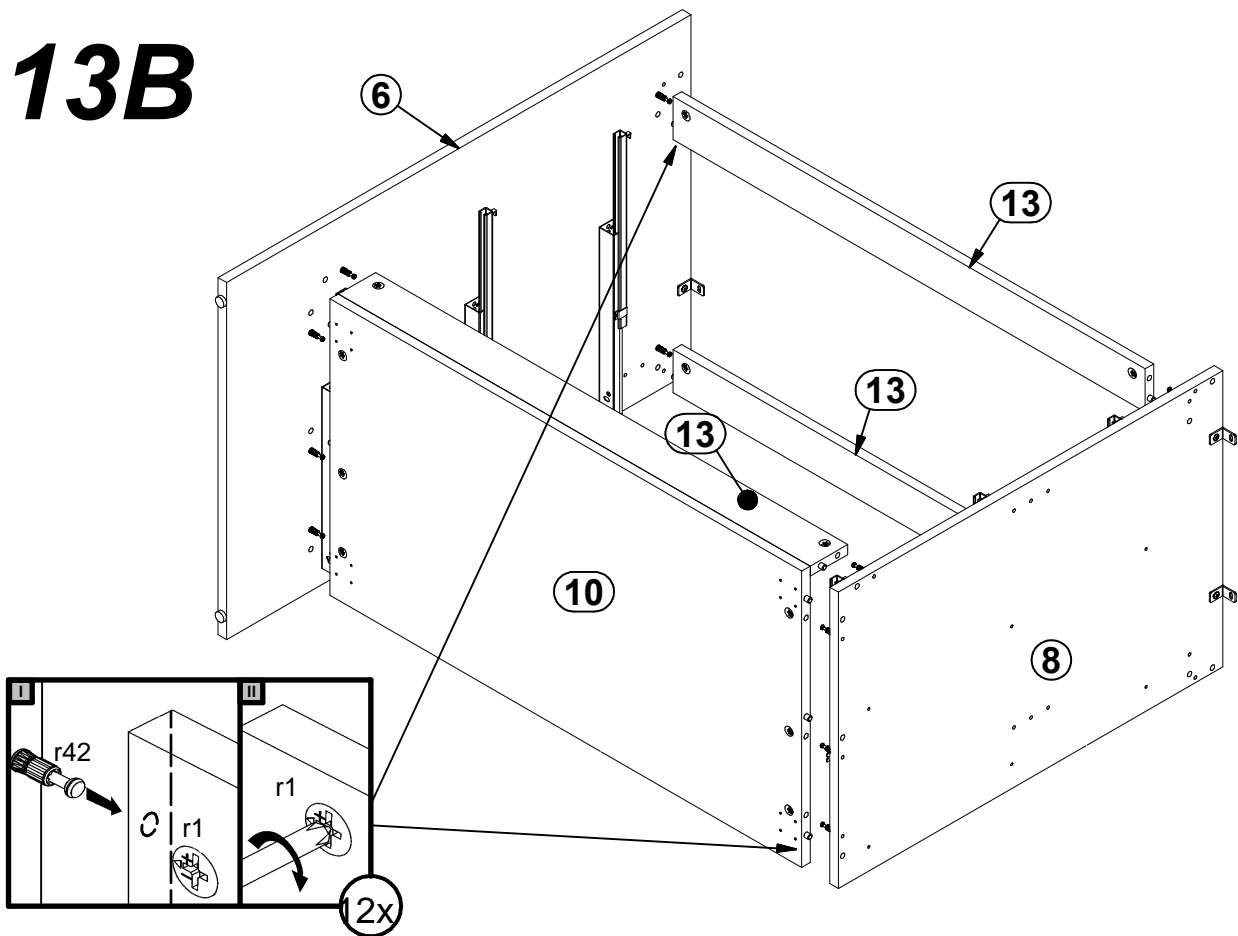


12

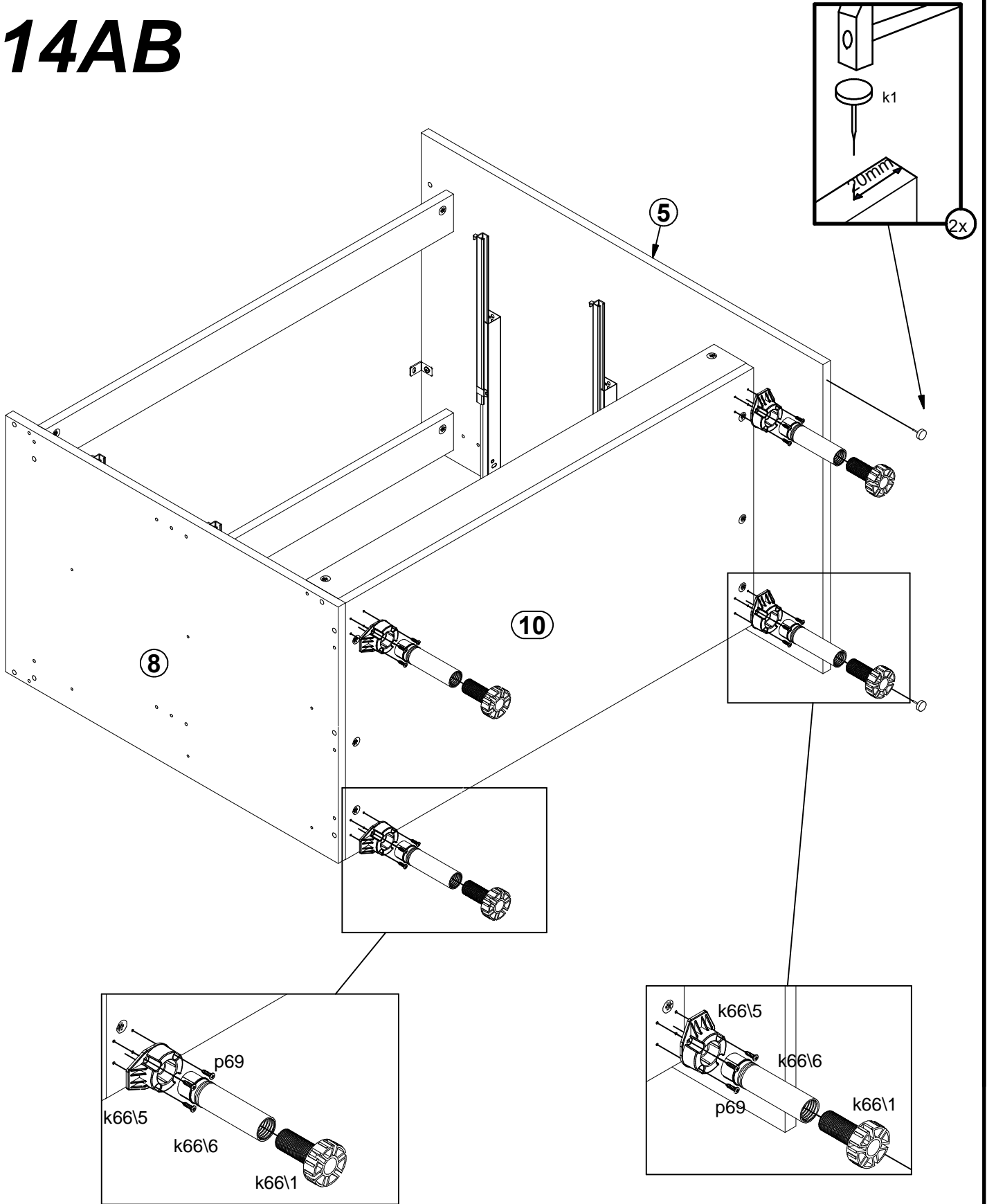


2x

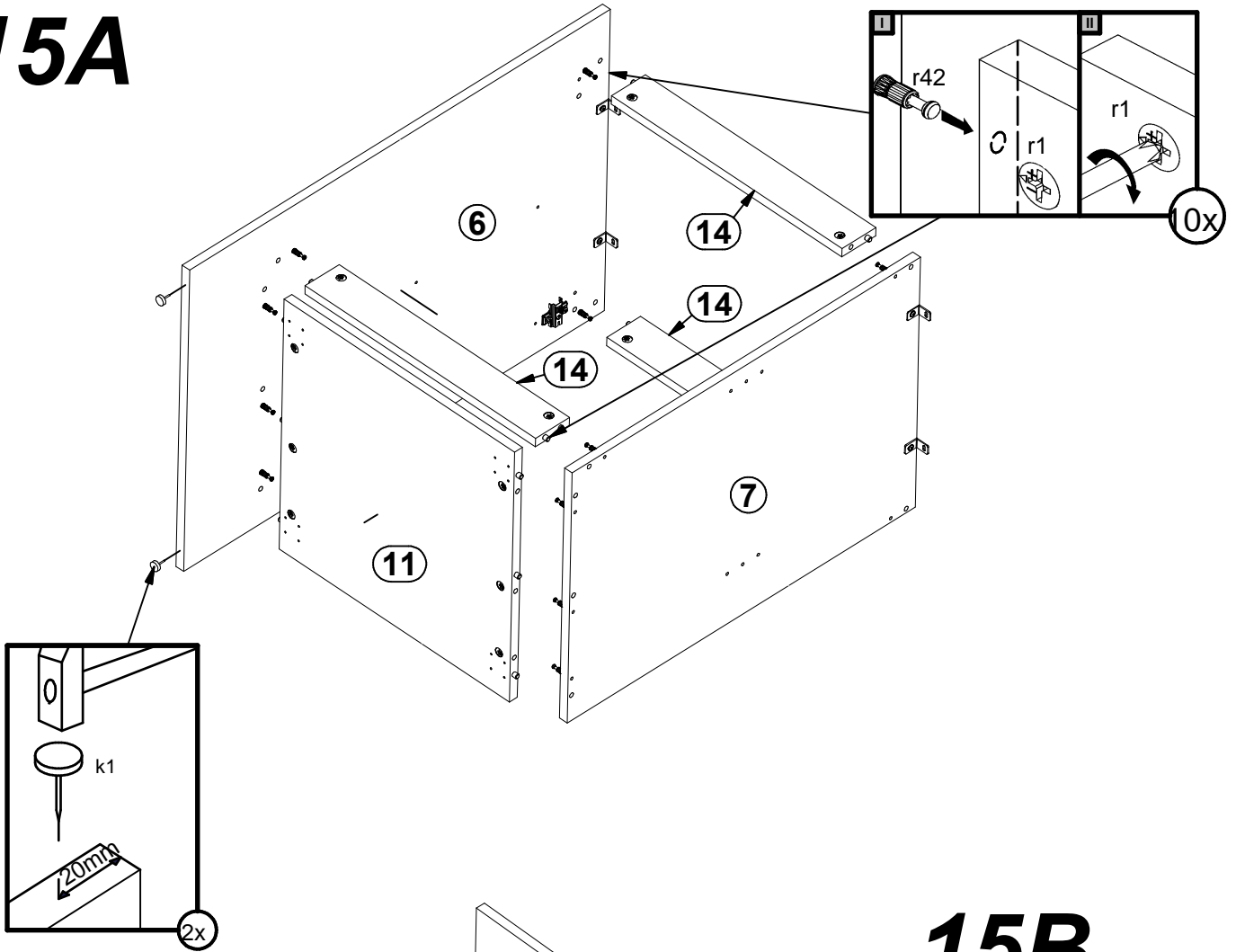


**13A****13B**

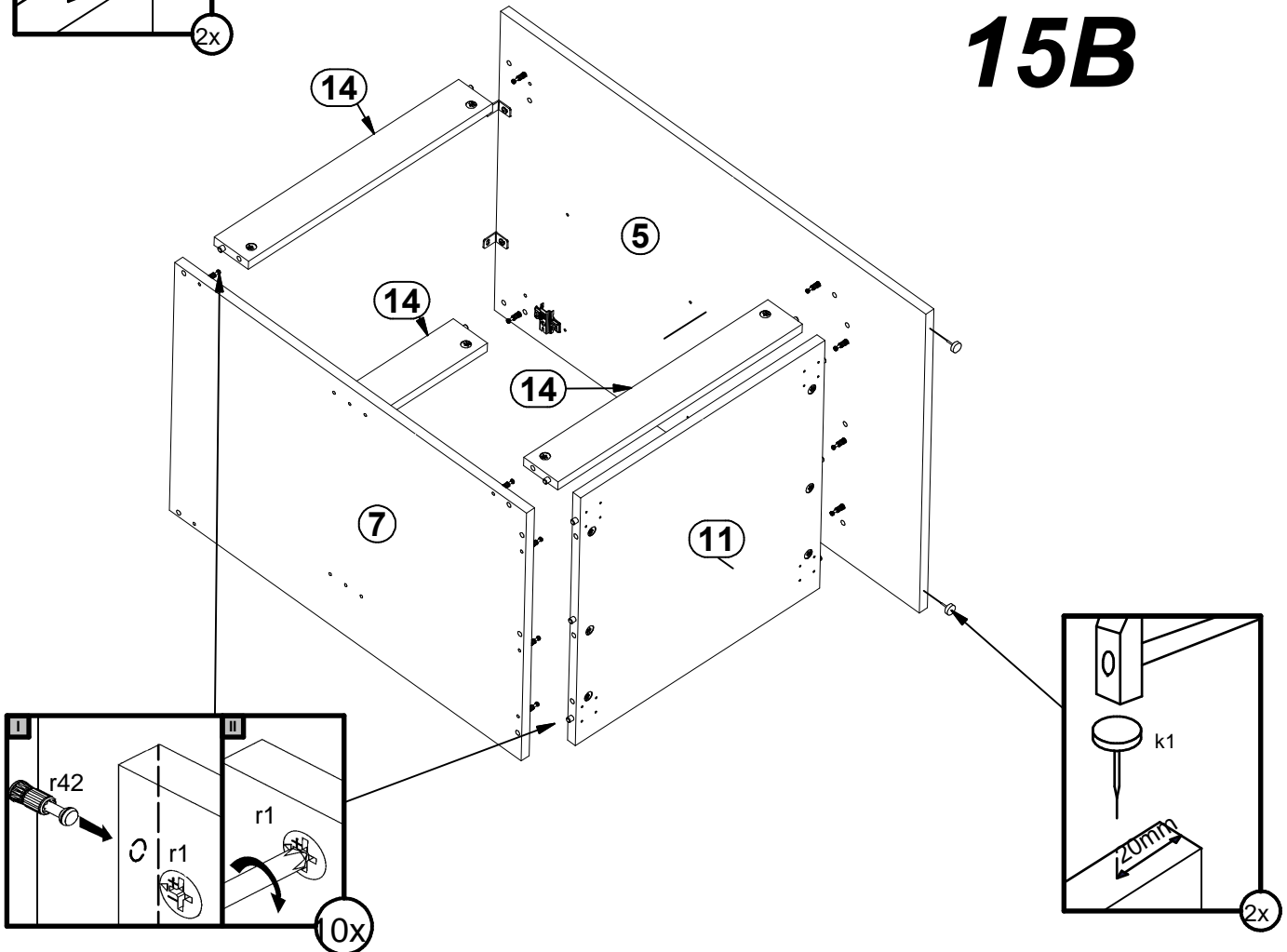
# 14AB



# 15A

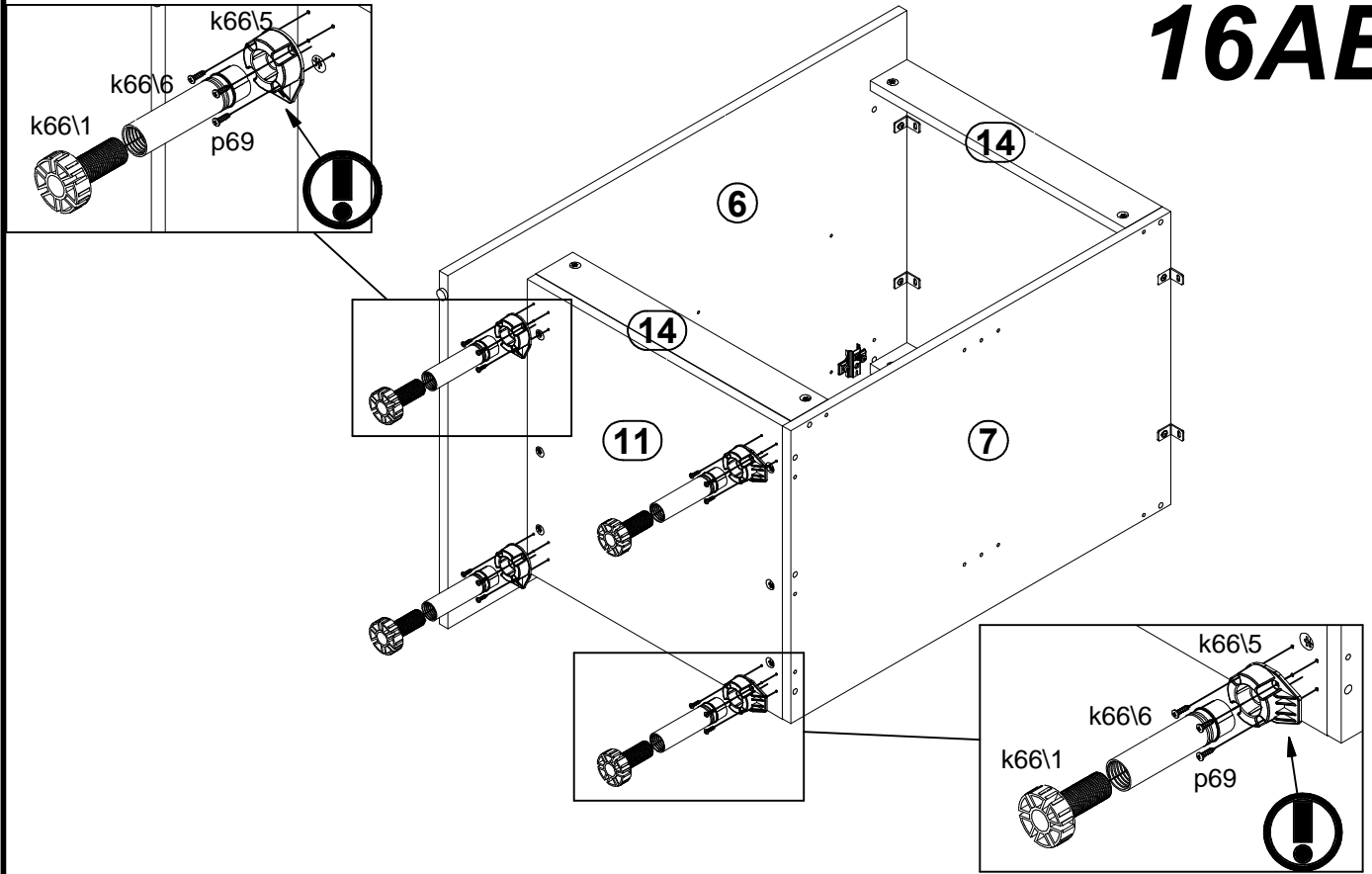


# 15B

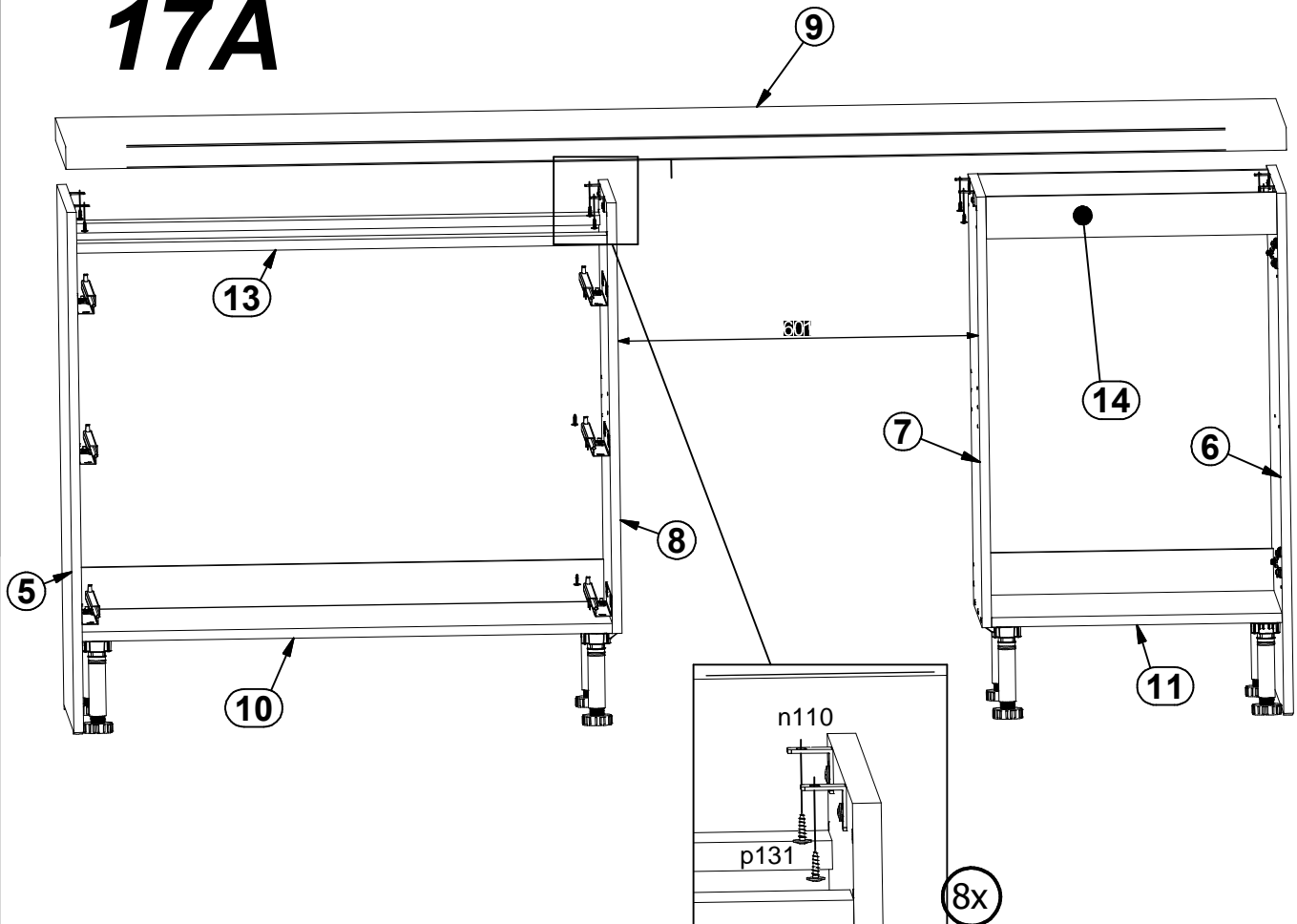




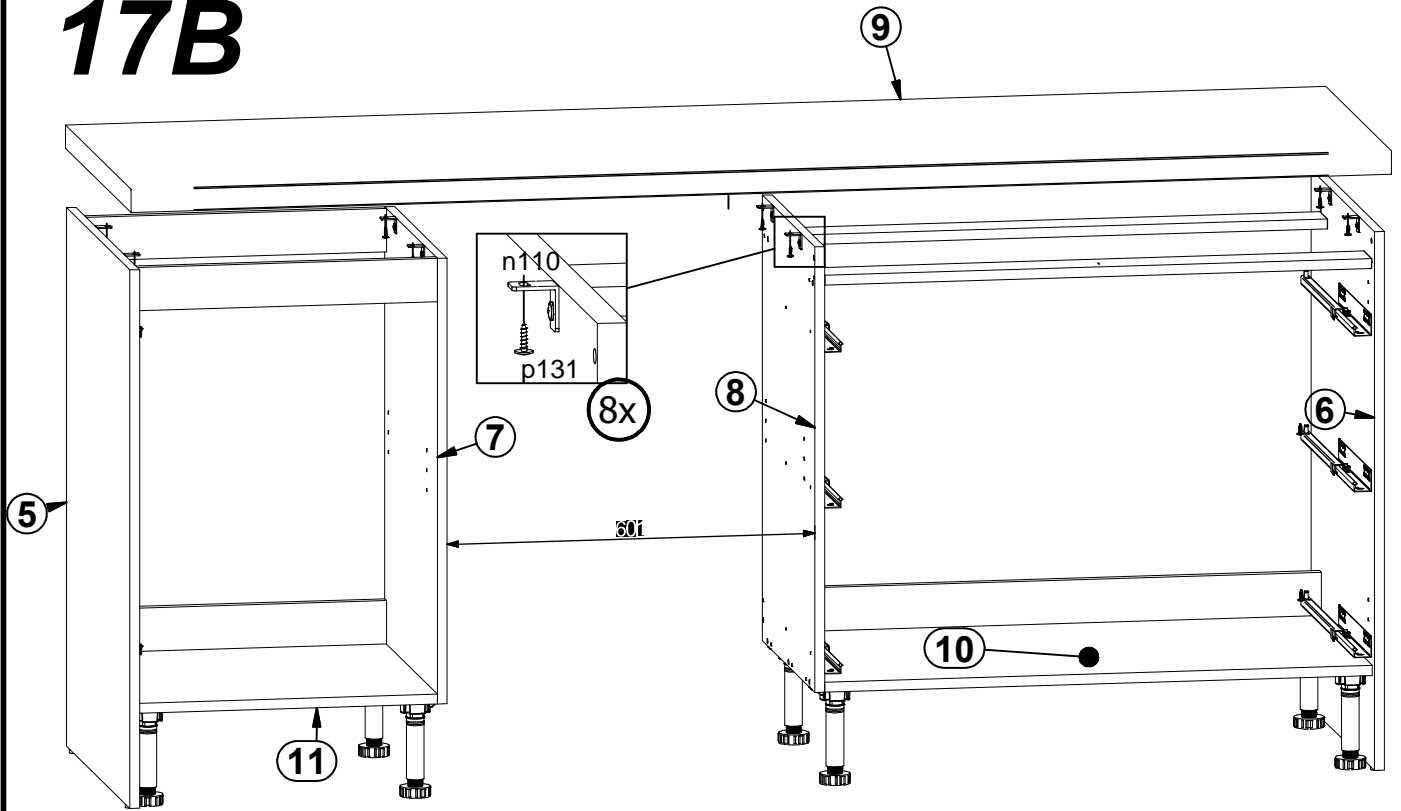
# 16AB



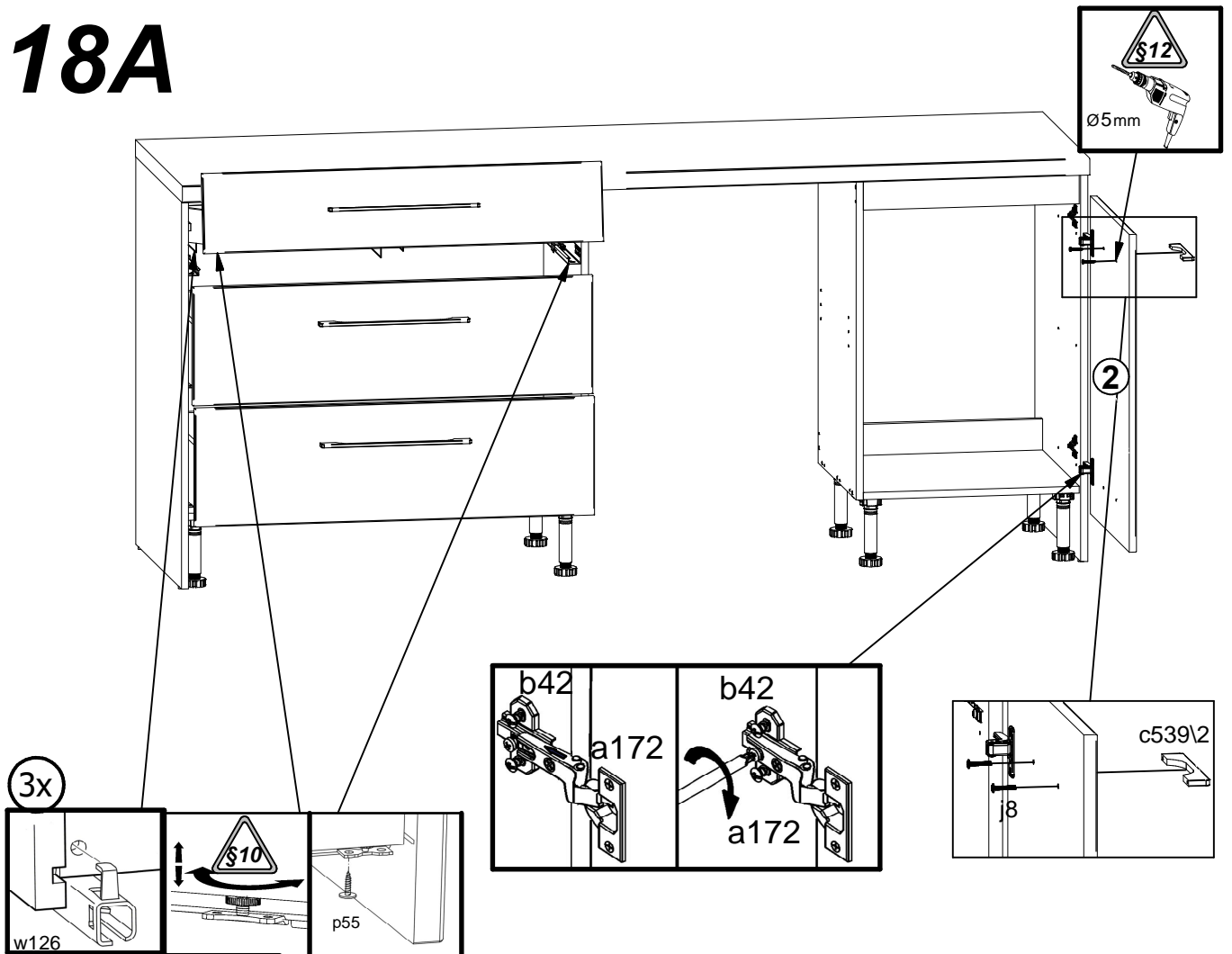
# 17A



# 17B

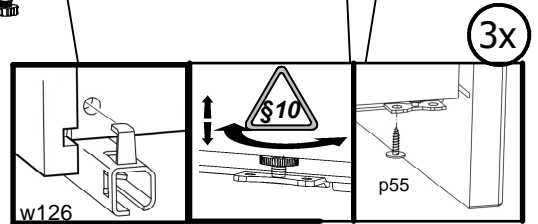
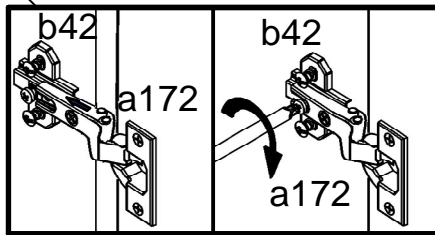
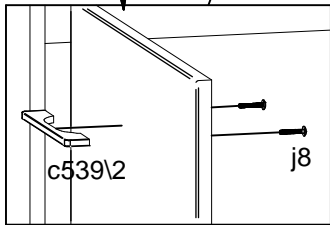
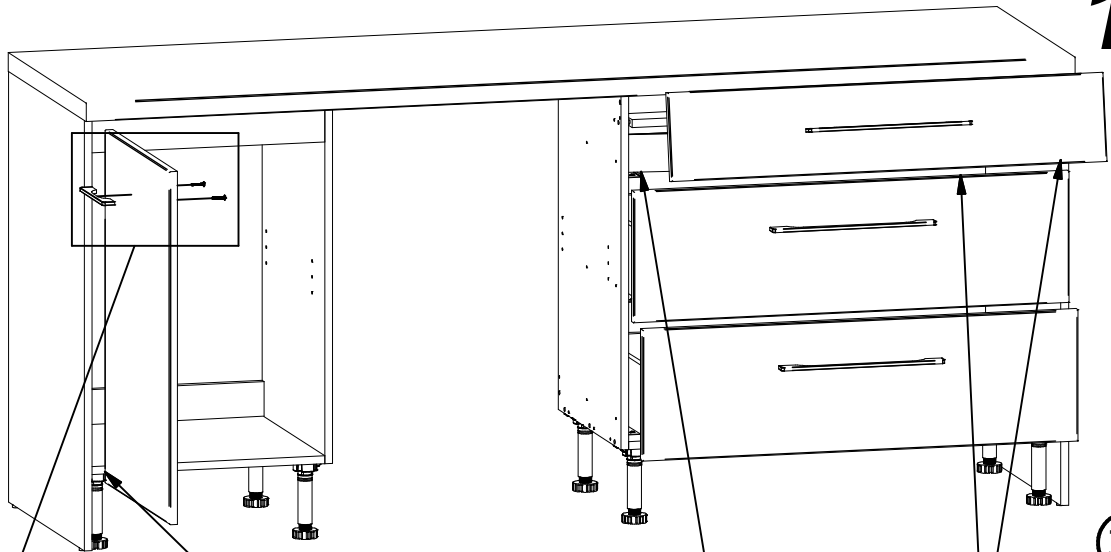


# 18A

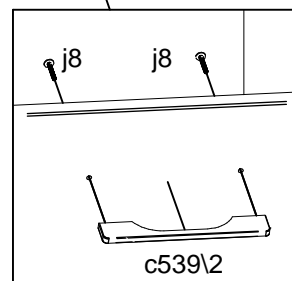
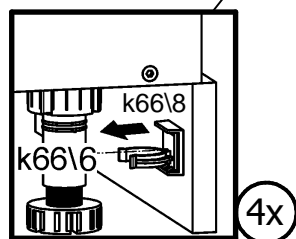
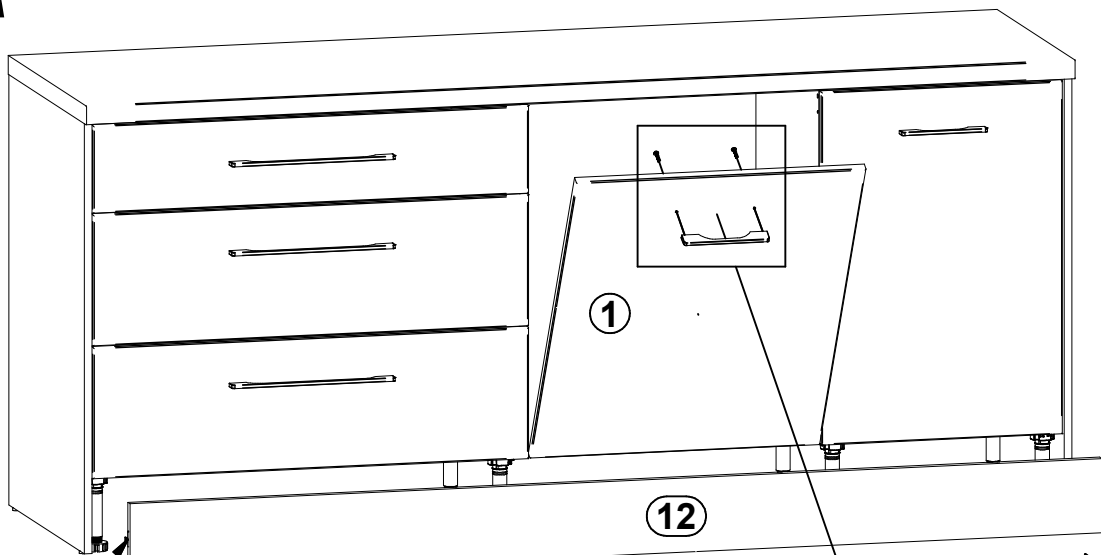


# 18B

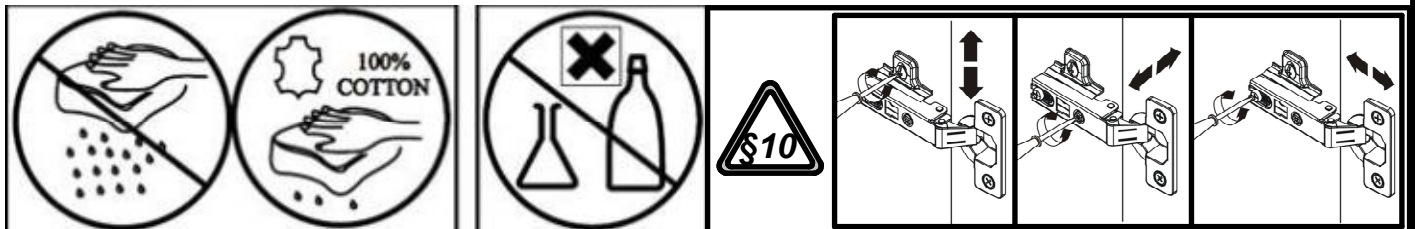
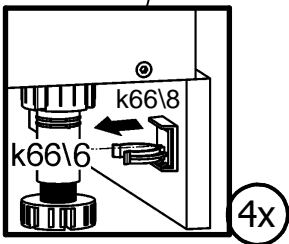
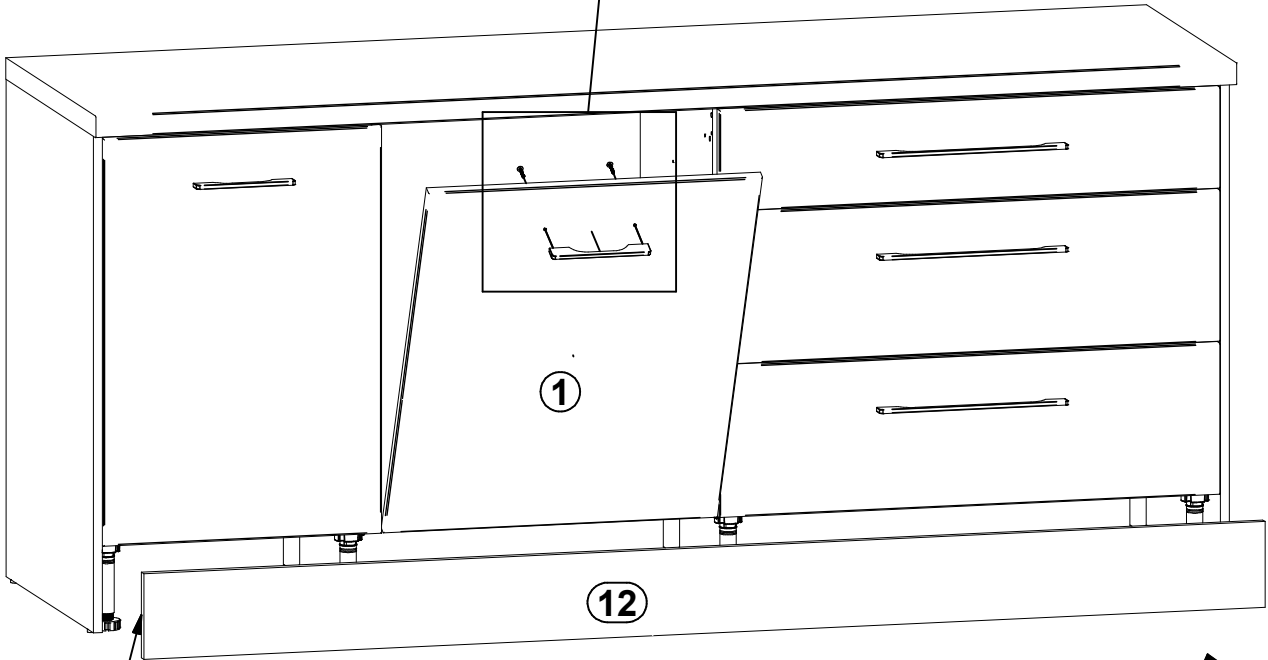
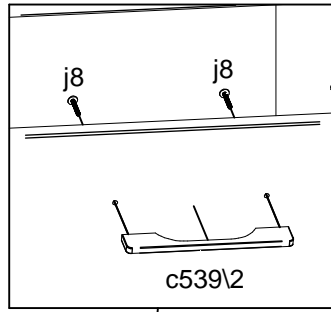
# 14

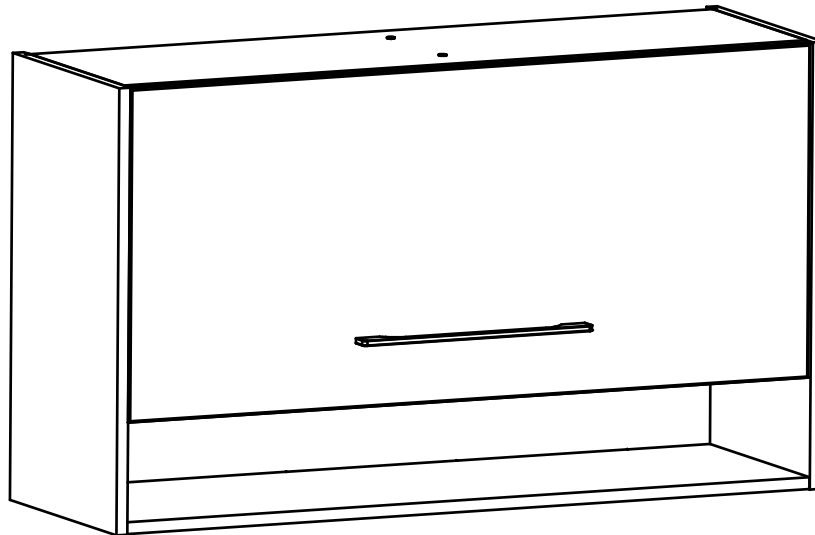
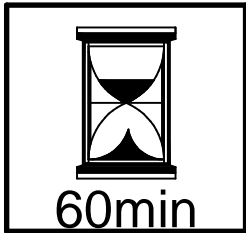
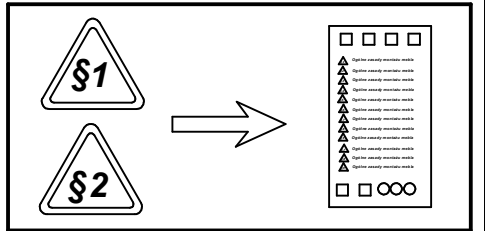
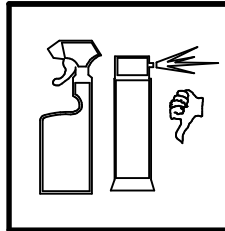
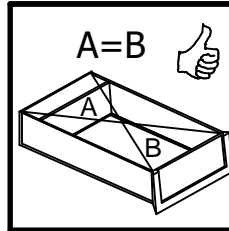
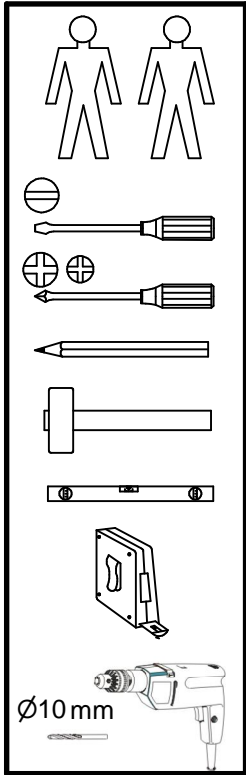
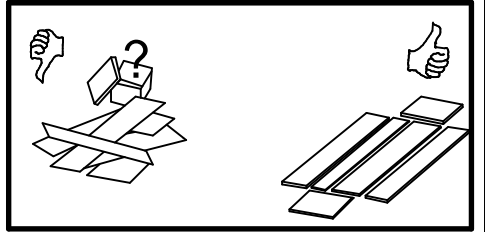
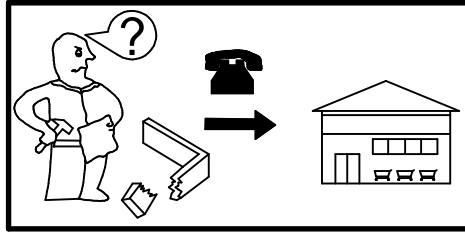
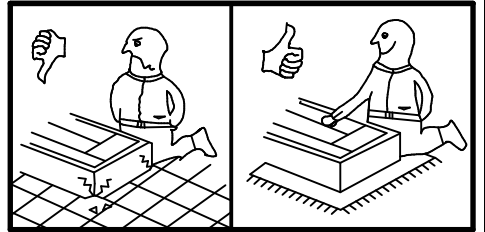
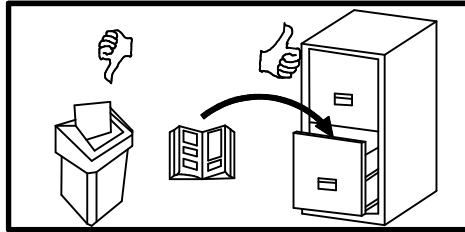


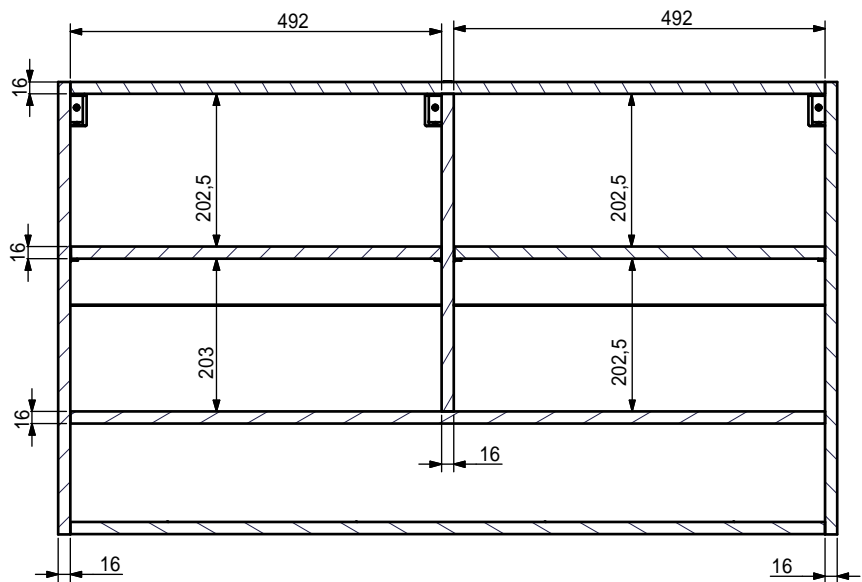
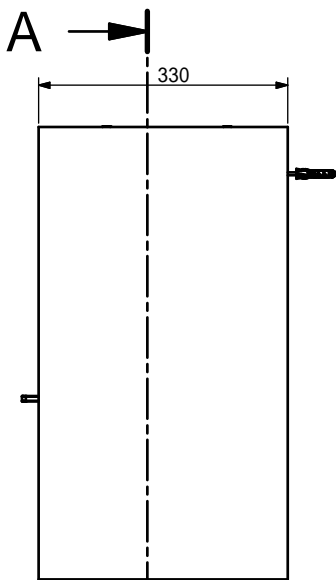
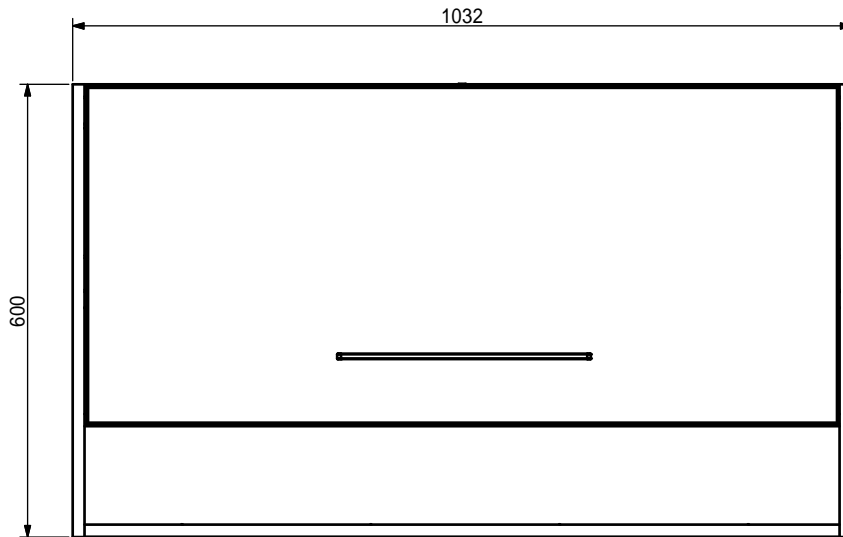
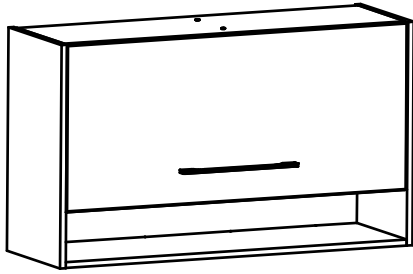
# 19A



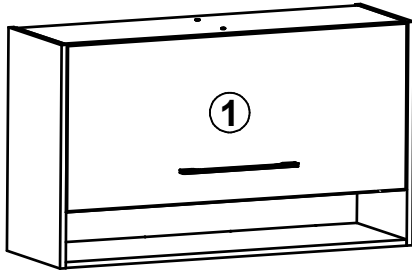
# 19B



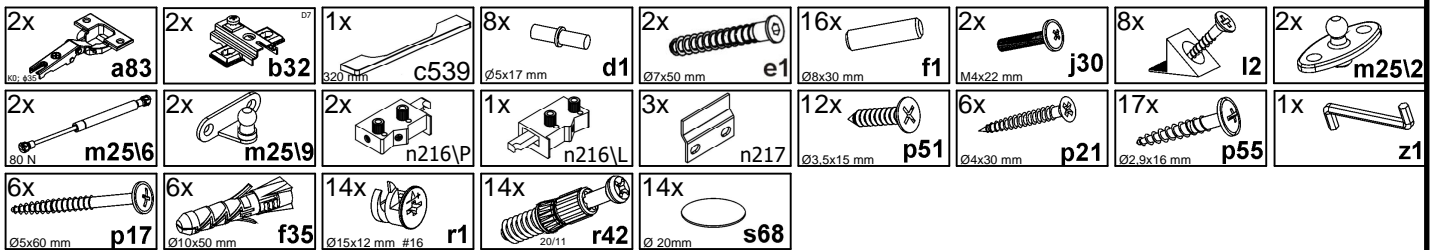
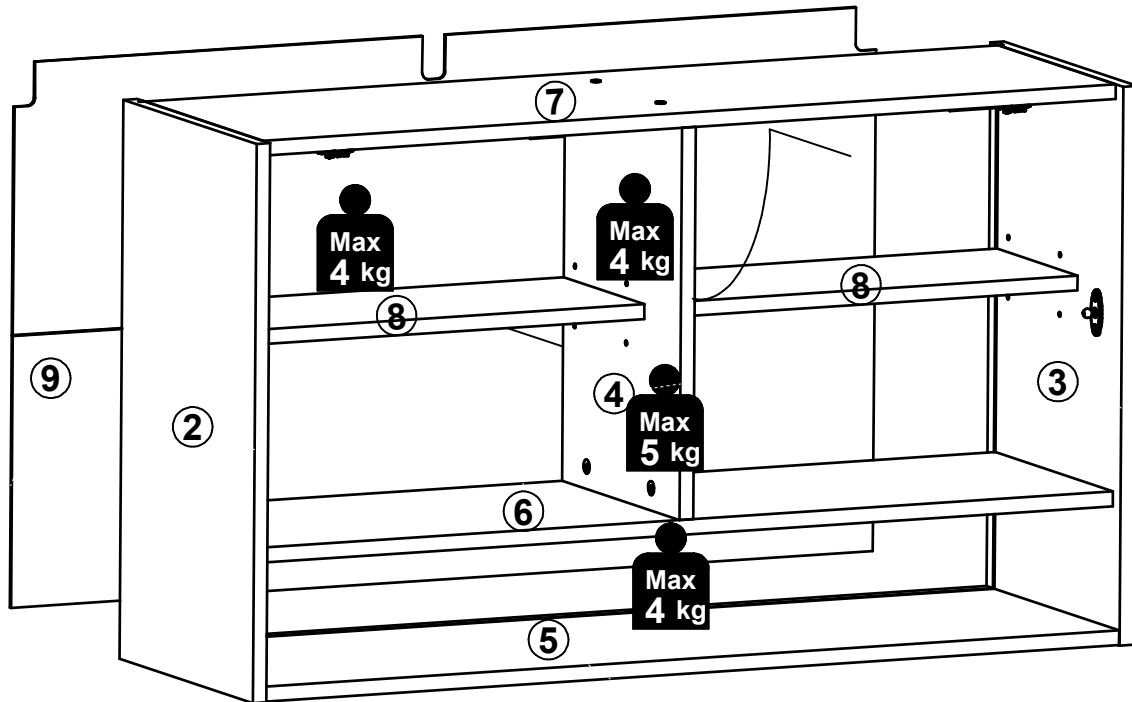




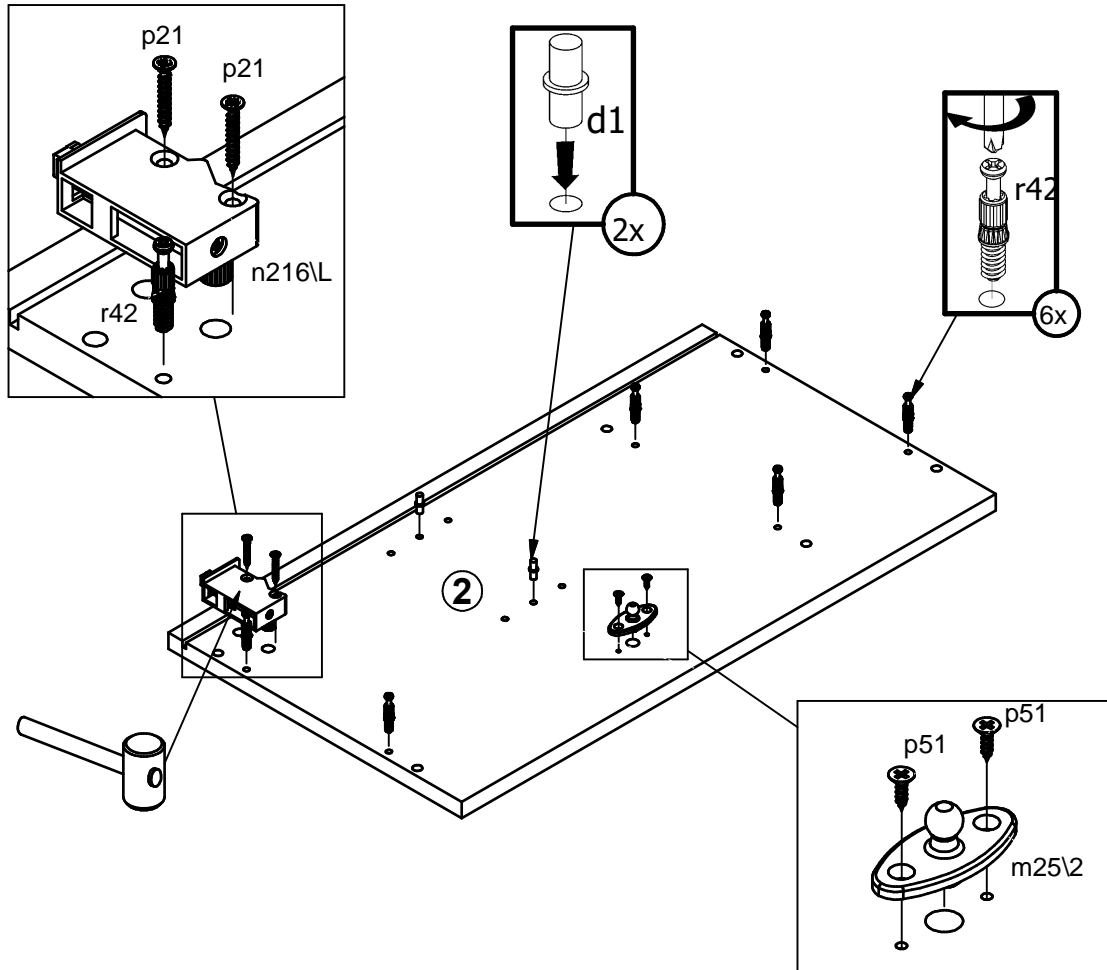
A



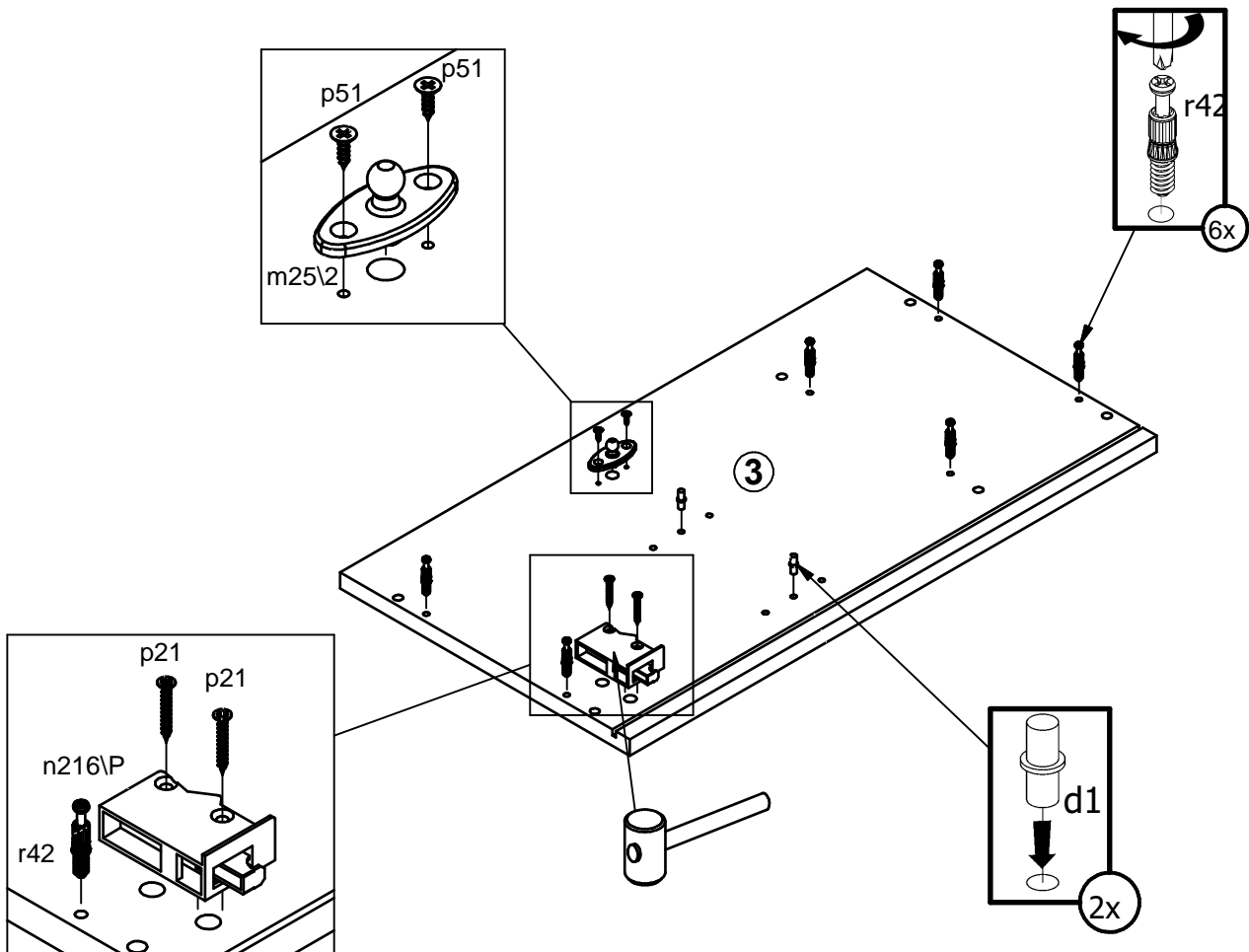
A	B	C1	C2	C3	D
1	S540-0006	996	448	16	1/2
2	S540-1008	600	330	16	2/2
3	S540-1009	600	330	16	1/2
4	S540-1019	421	291	16	2/2
5	S540-3006	1000	329	16	1/2
6	S540-3007	1000	291	16	1/2
7	S540-3015	1000	291	16	1/2
8	S540-3020	491	200	16	2/2
9	S540-9301	1010	585	2.5	1/2



1

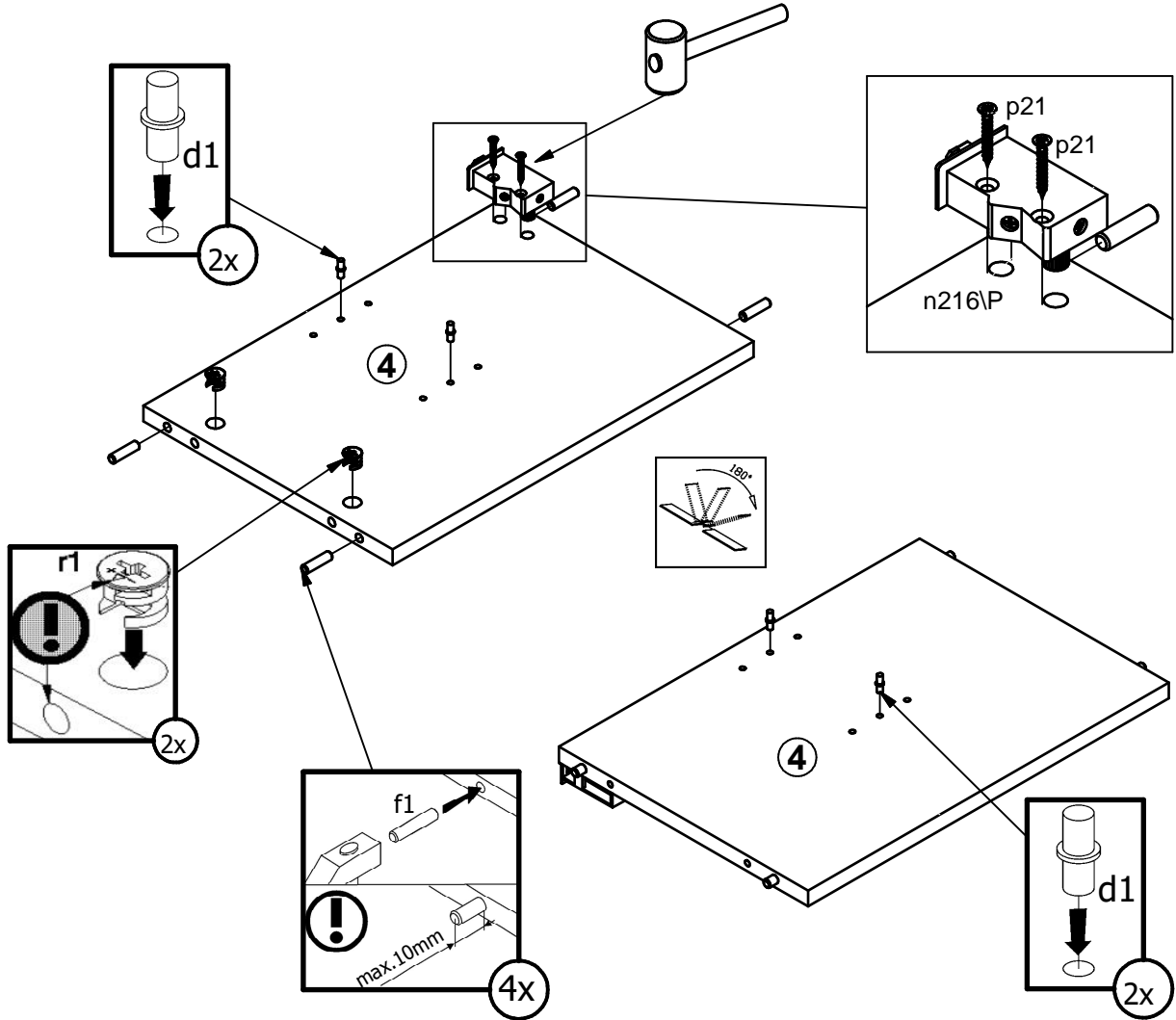


2

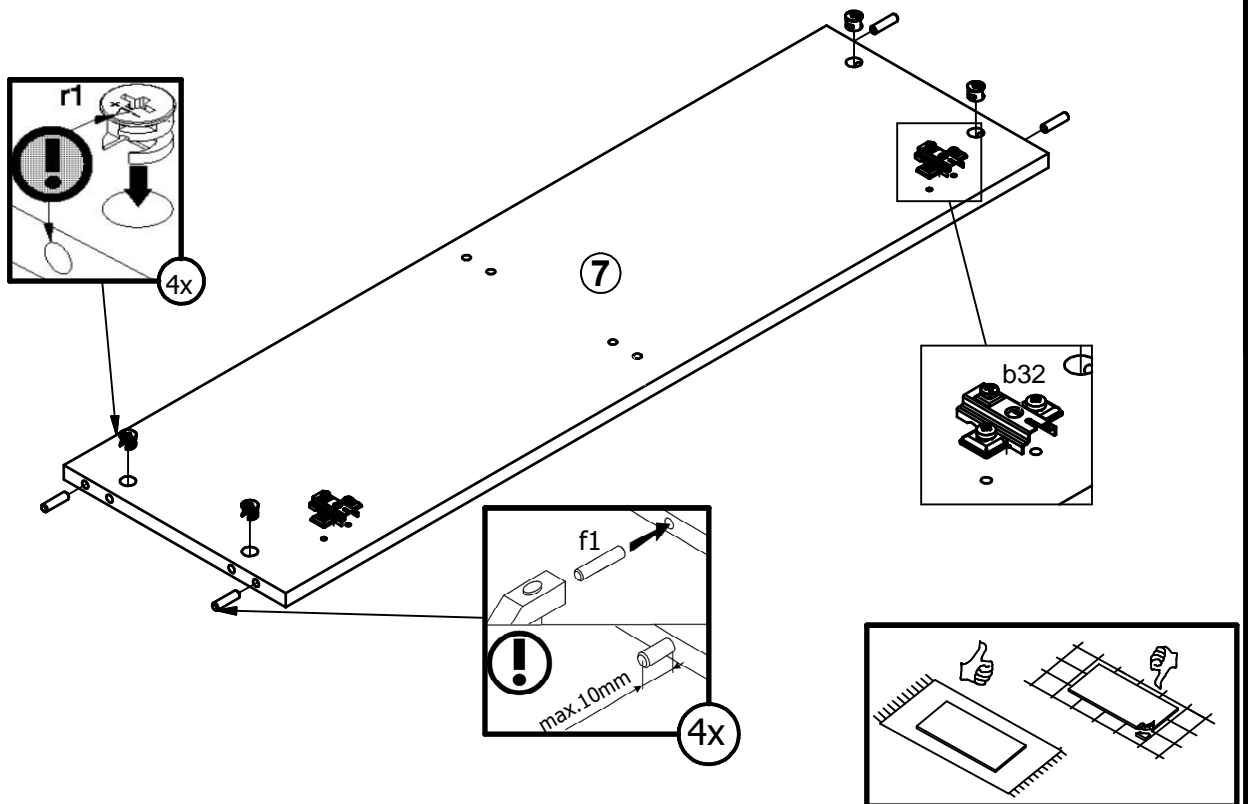




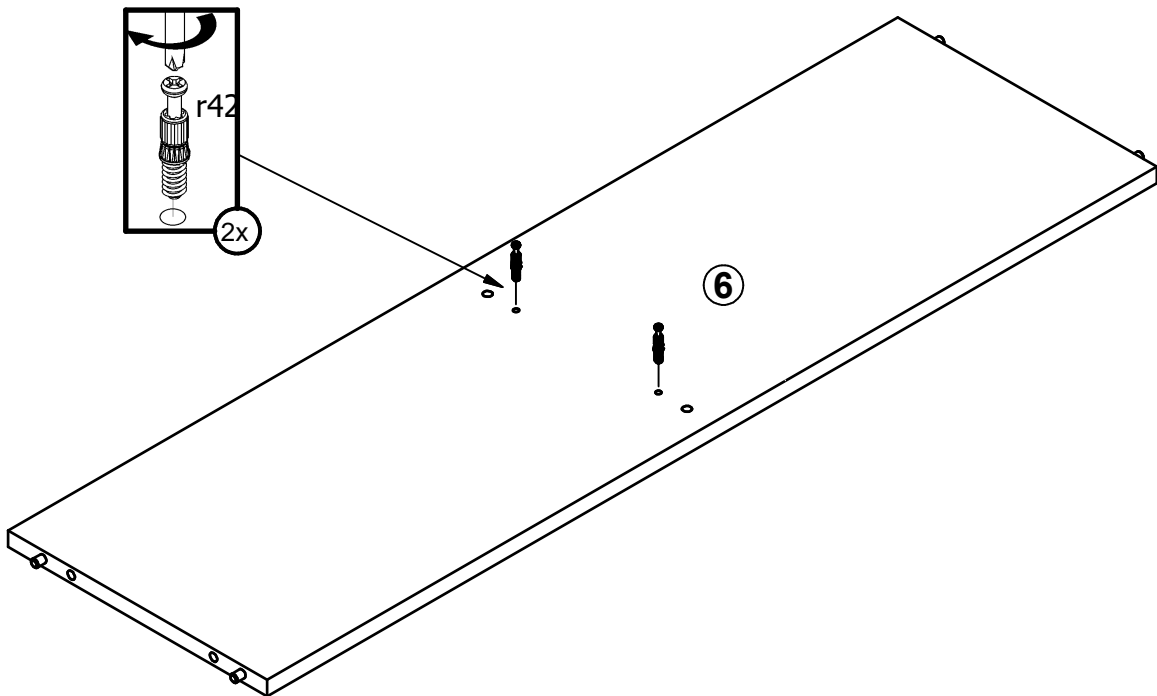
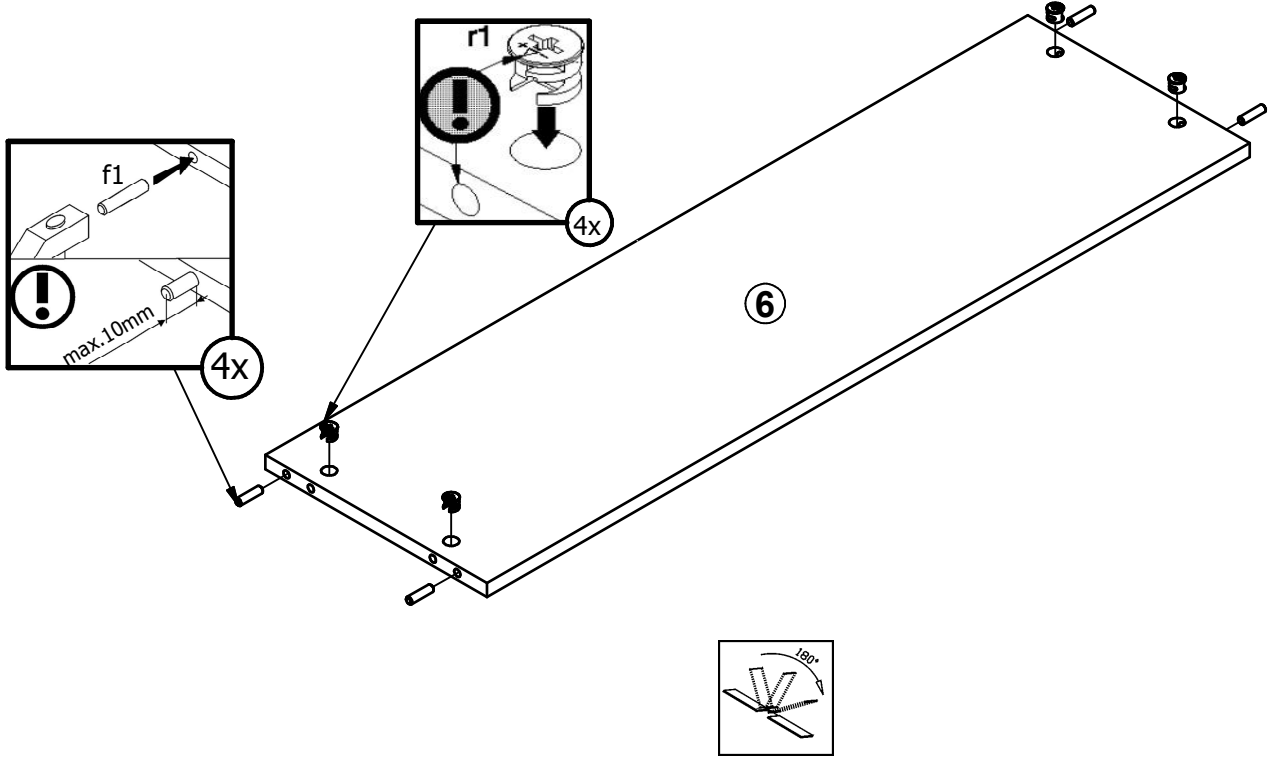
3



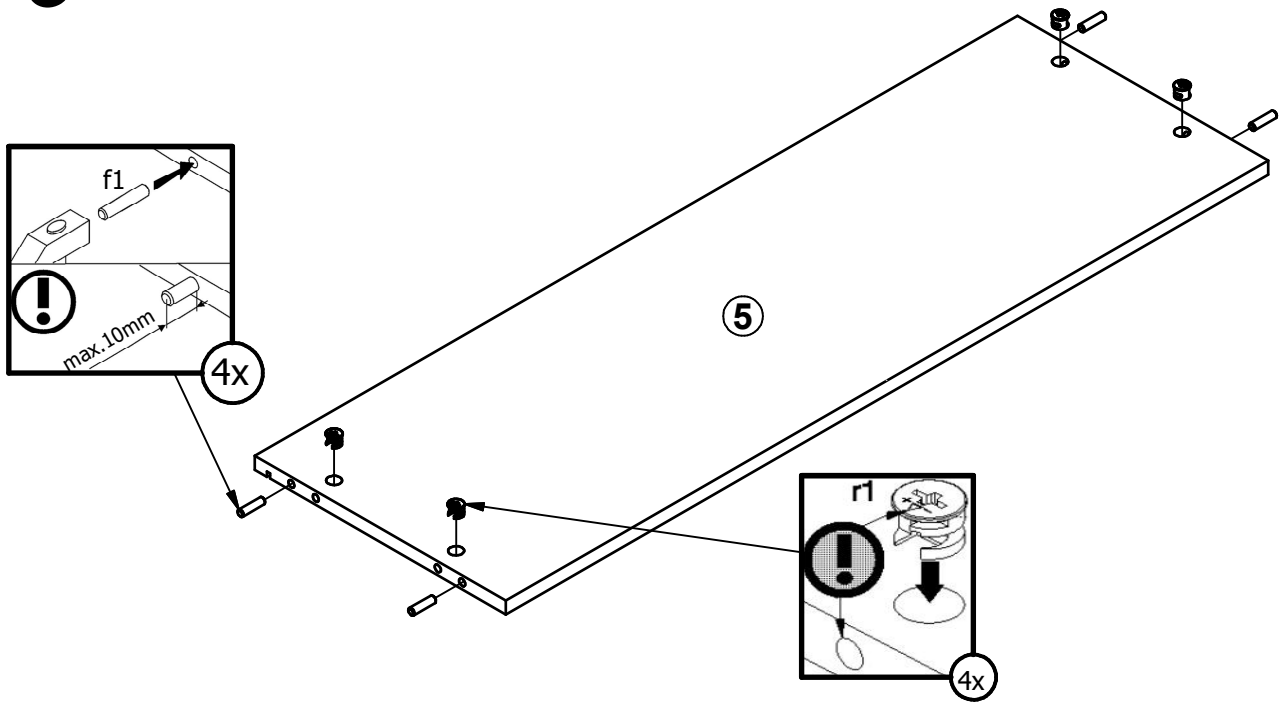
4



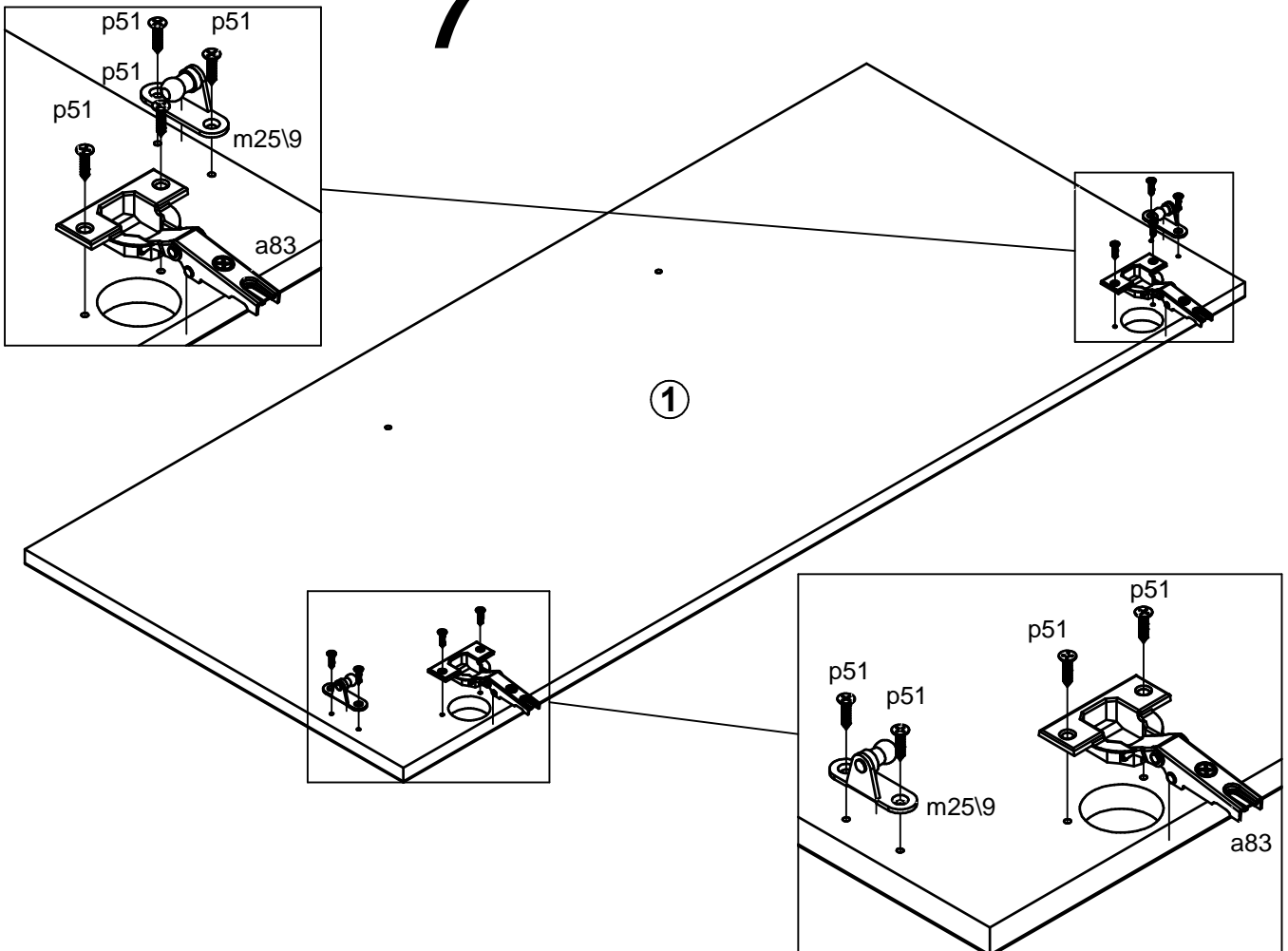
# 5



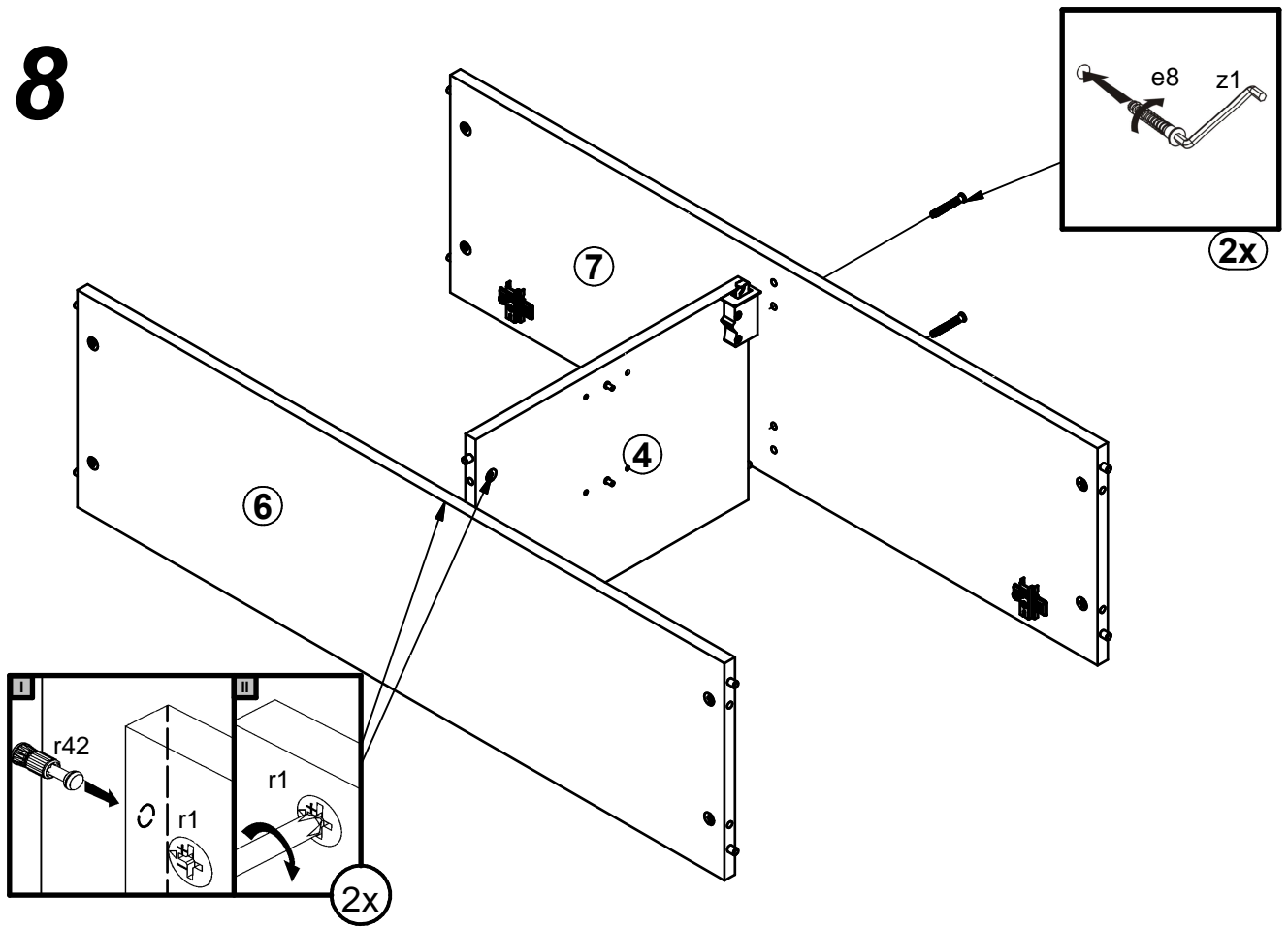
# 6



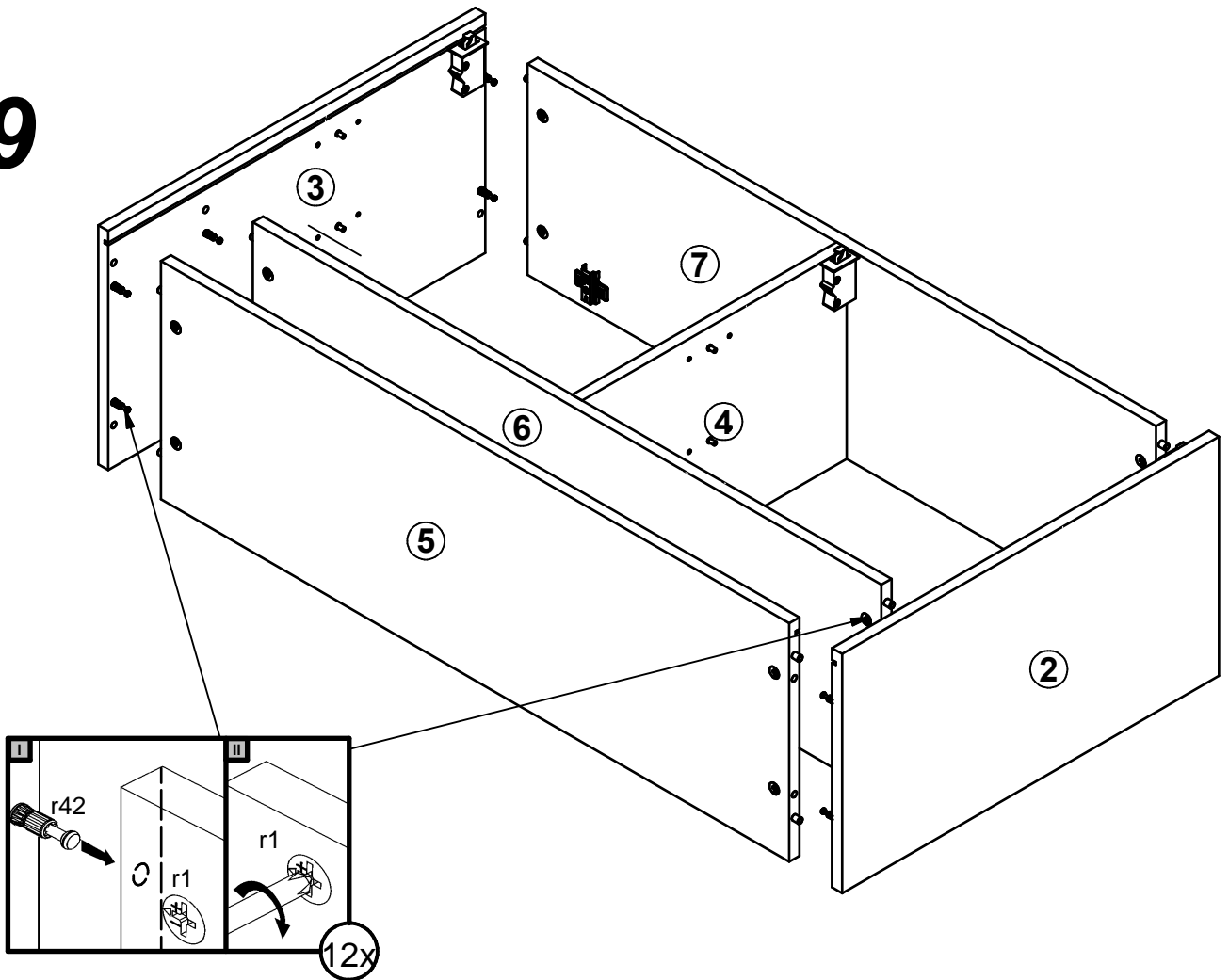
# 7



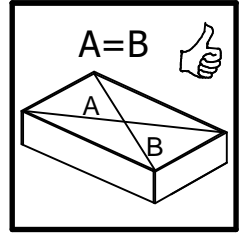
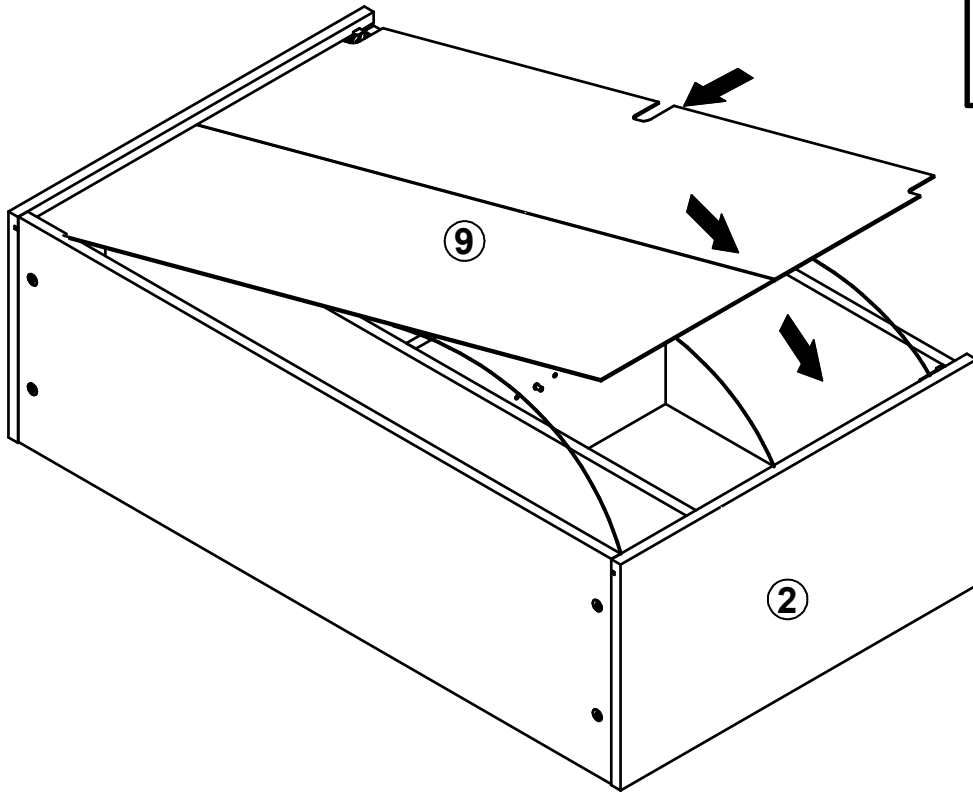
8



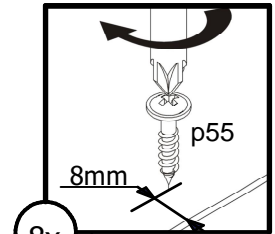
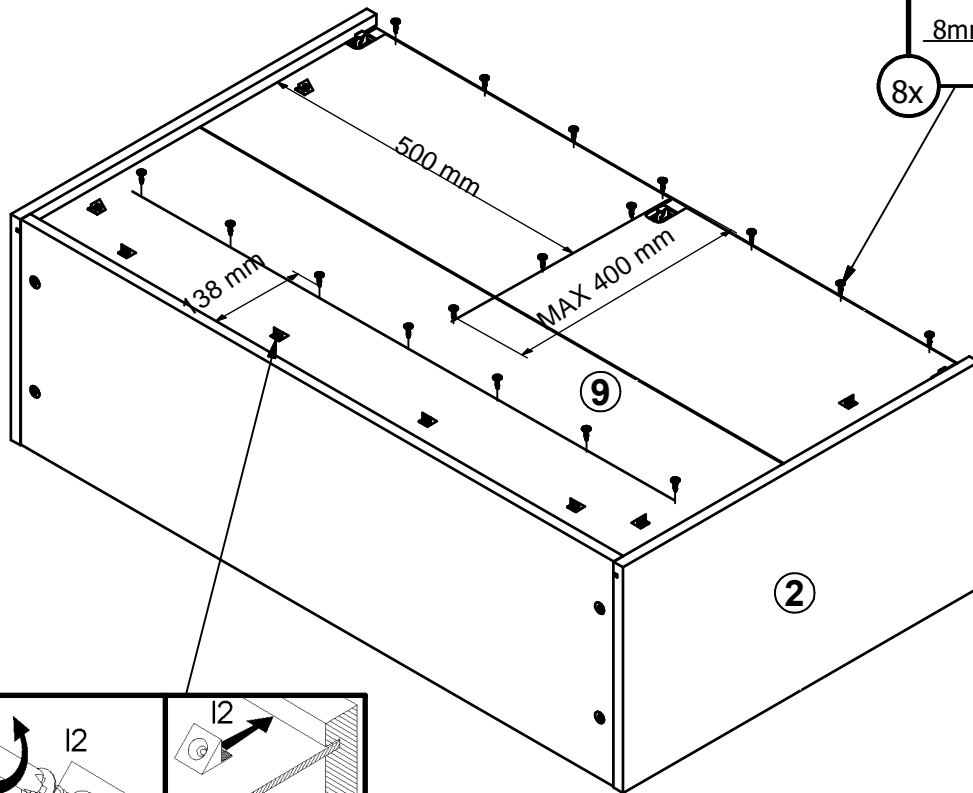
9



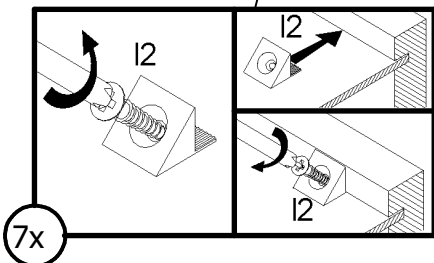
10

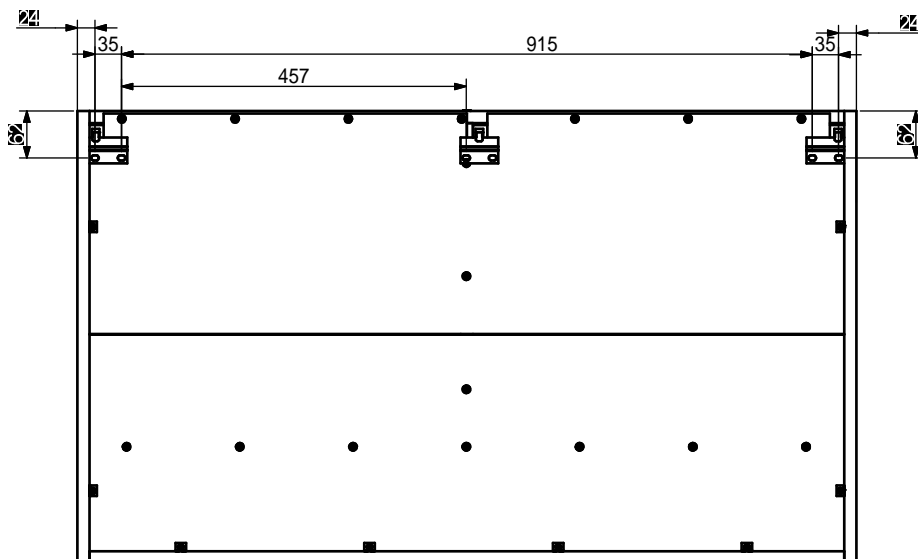
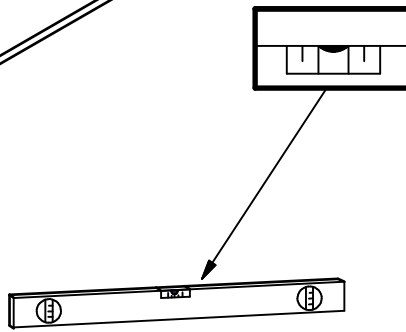
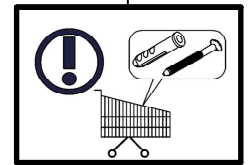
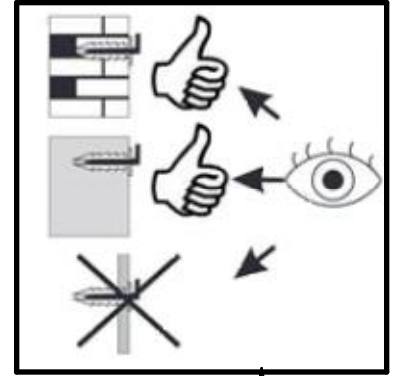
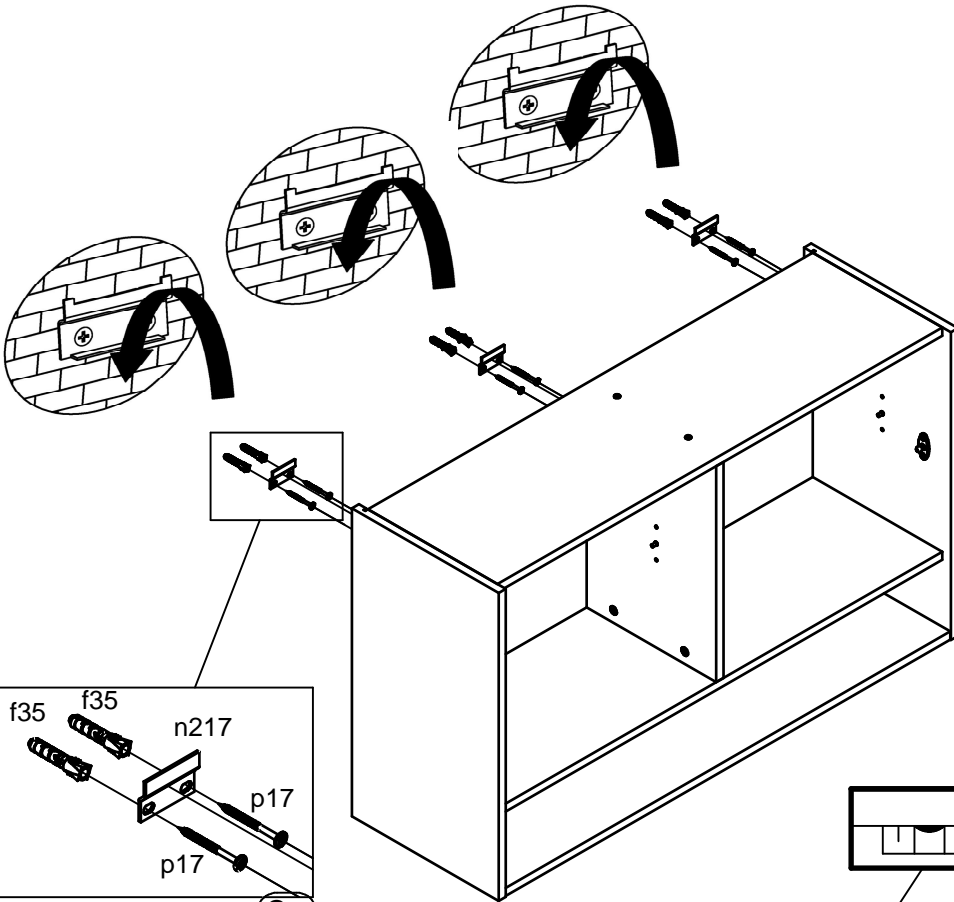
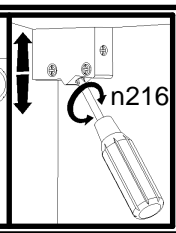
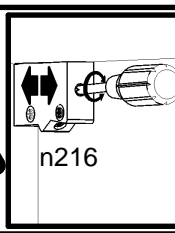
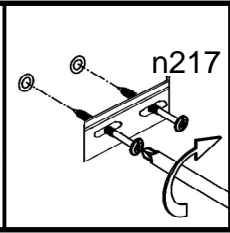
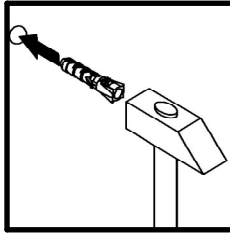
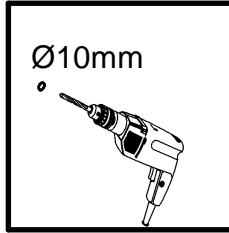


11

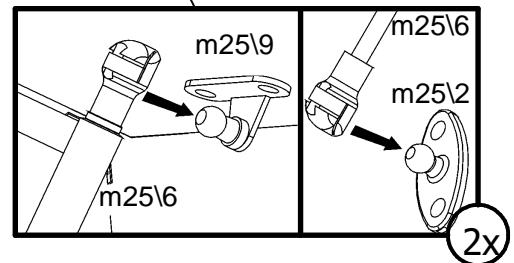
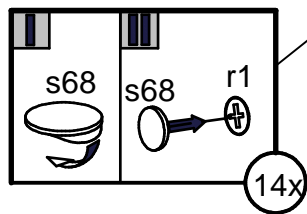
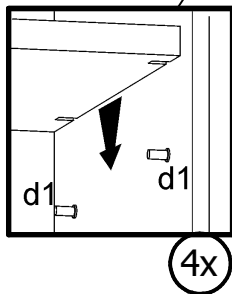
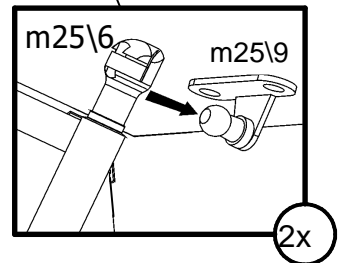
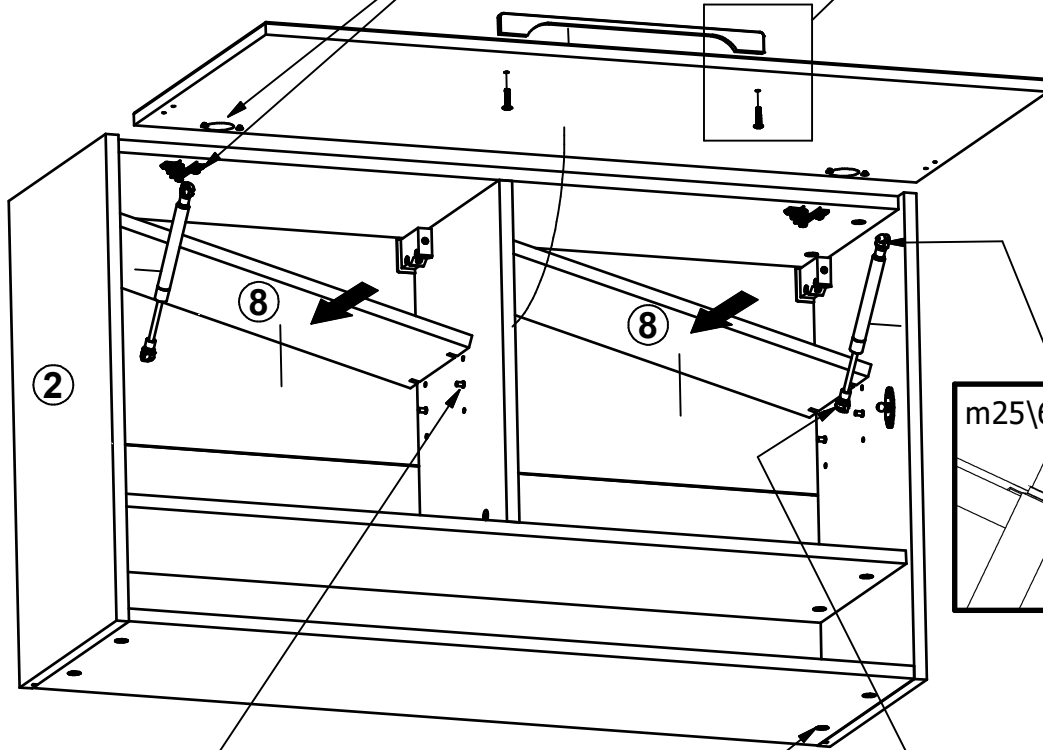
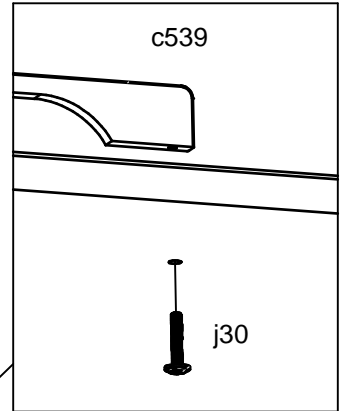
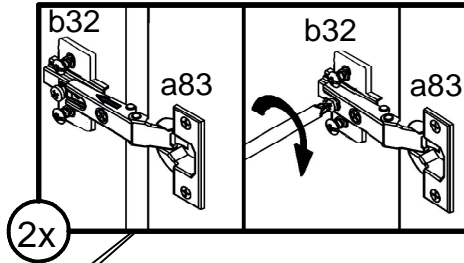
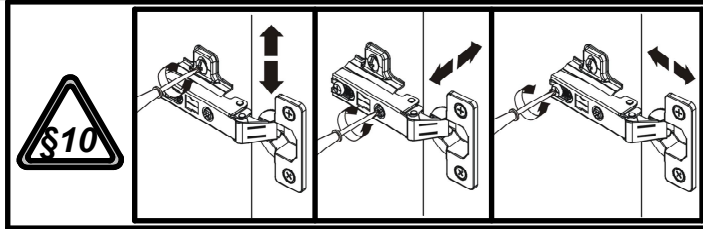


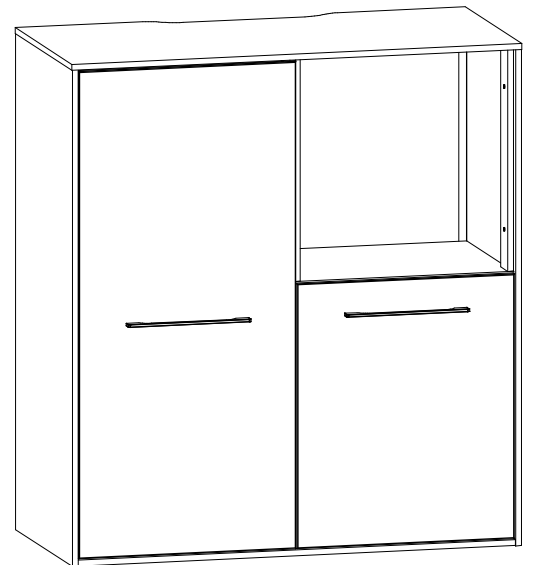
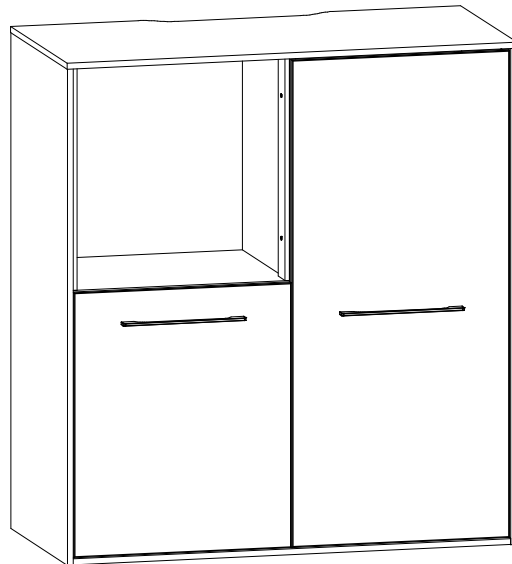
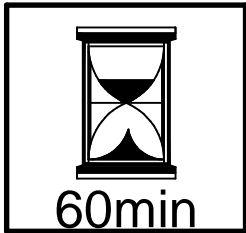
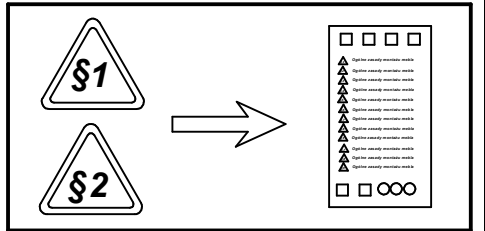
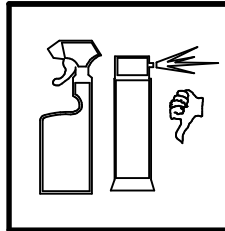
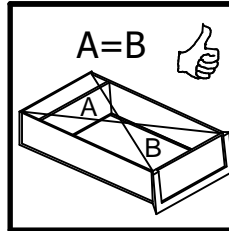
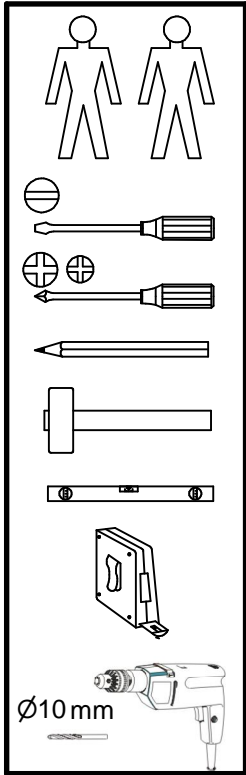
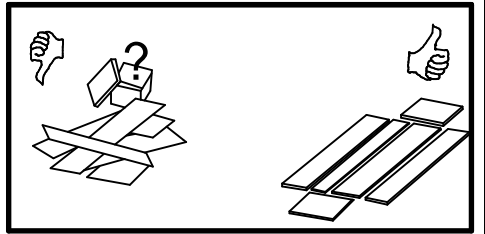
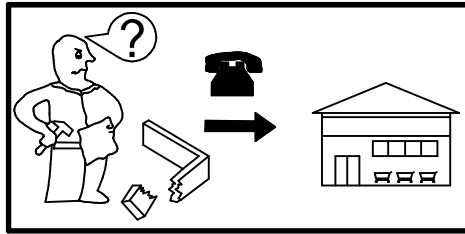
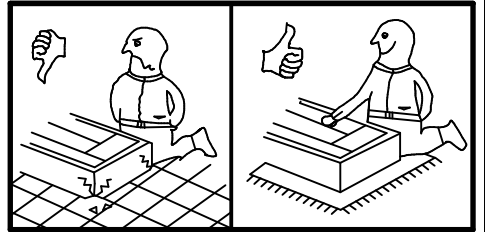
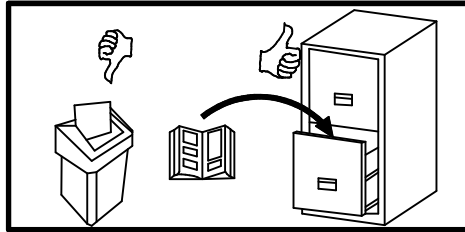
8x





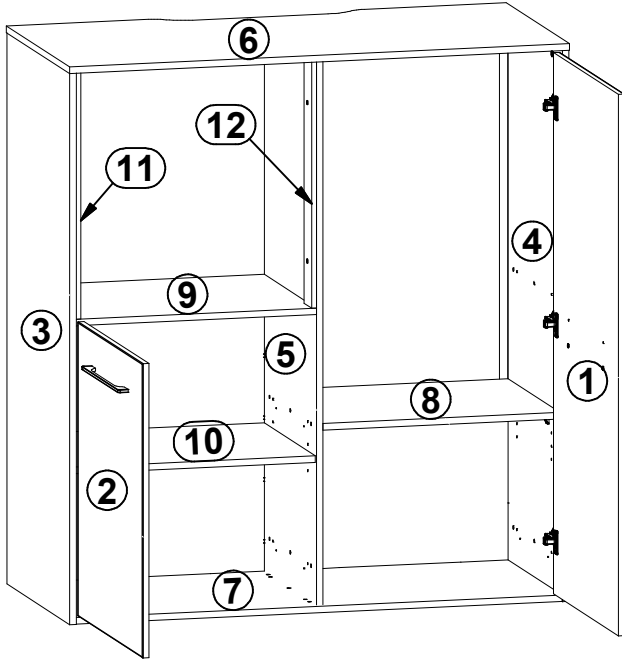
# 13



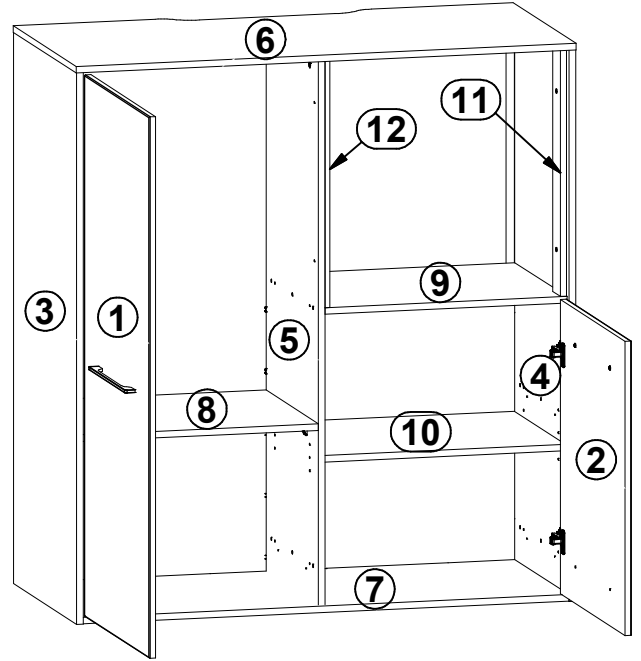




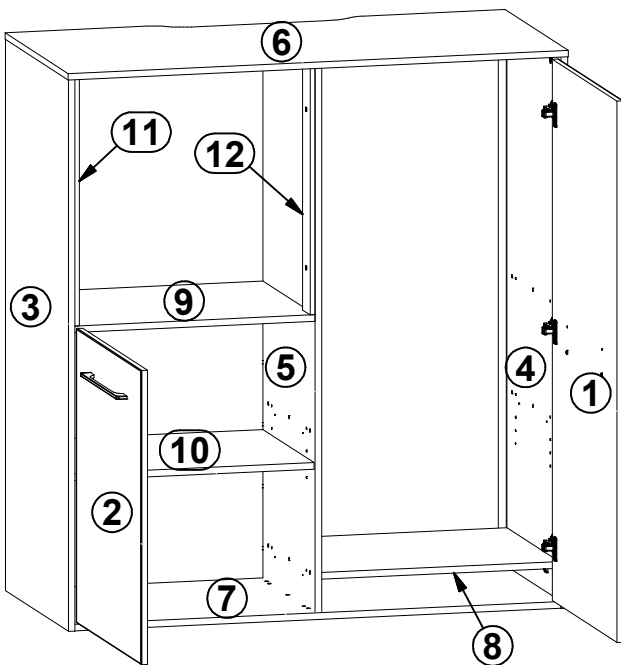
# A



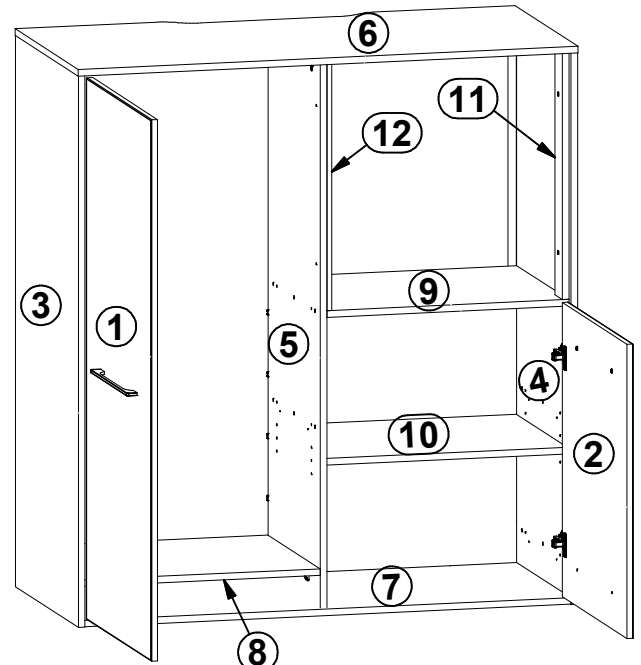
# B

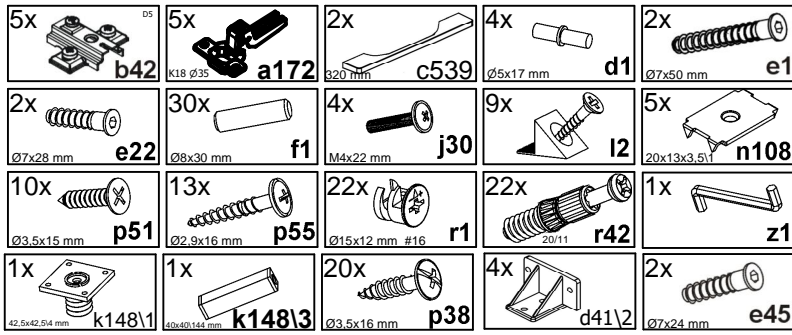


# C

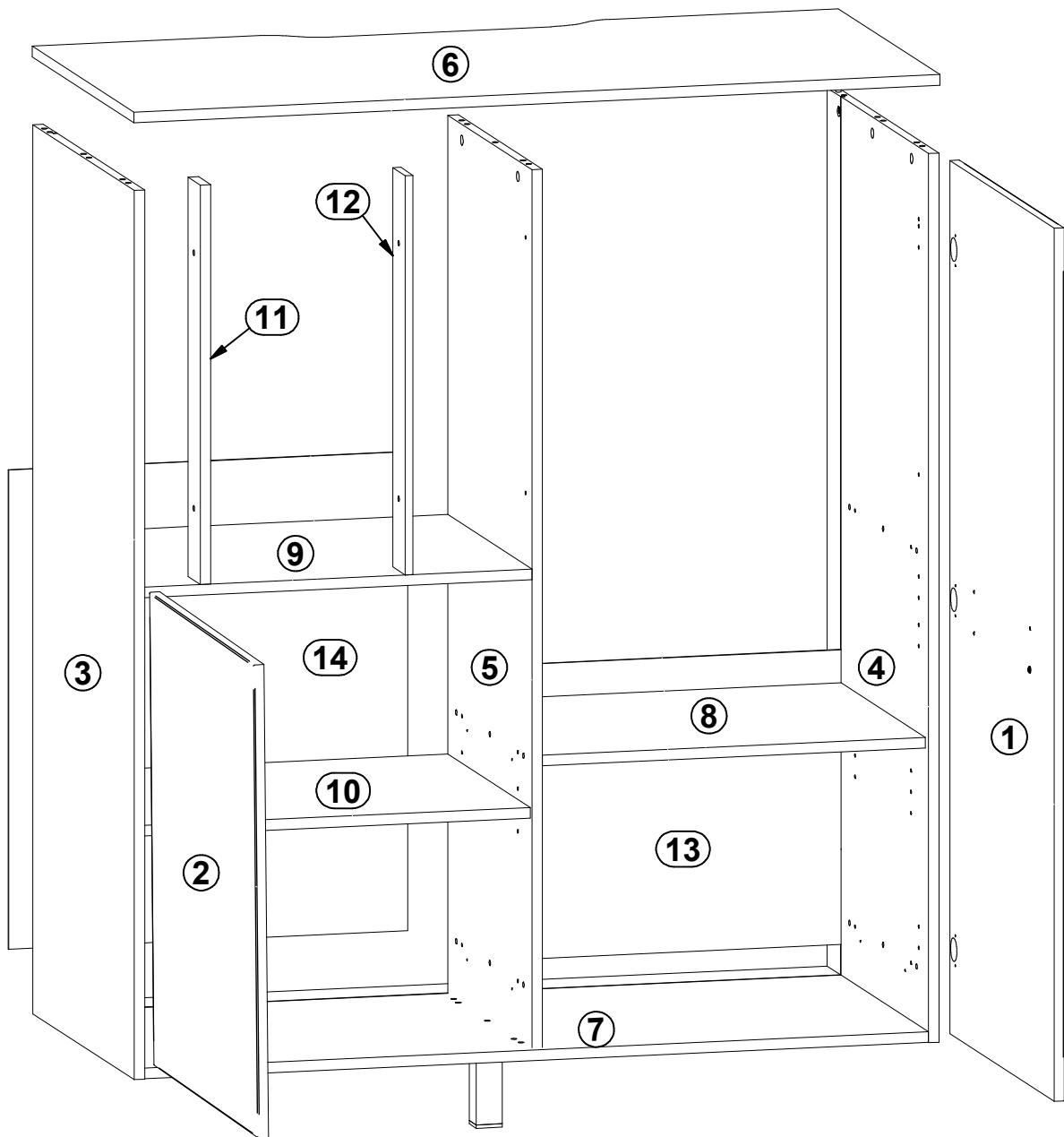


# D

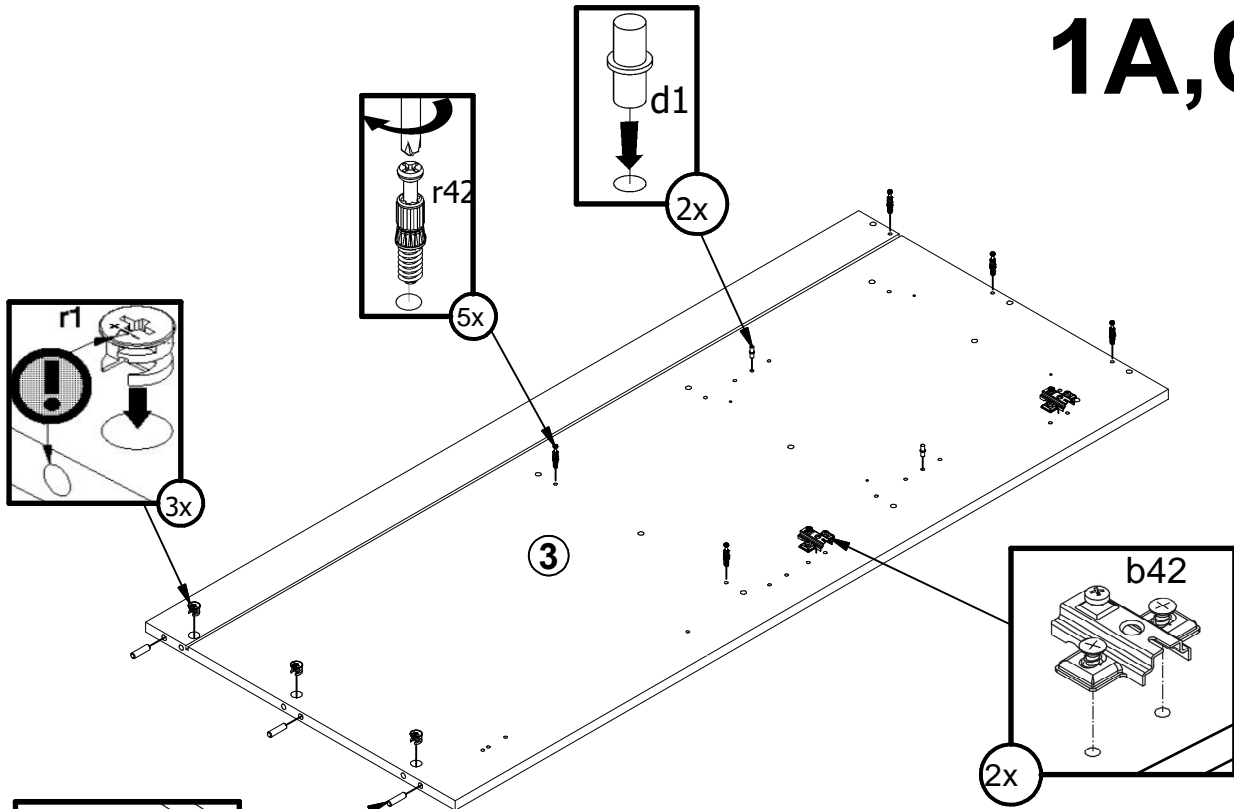




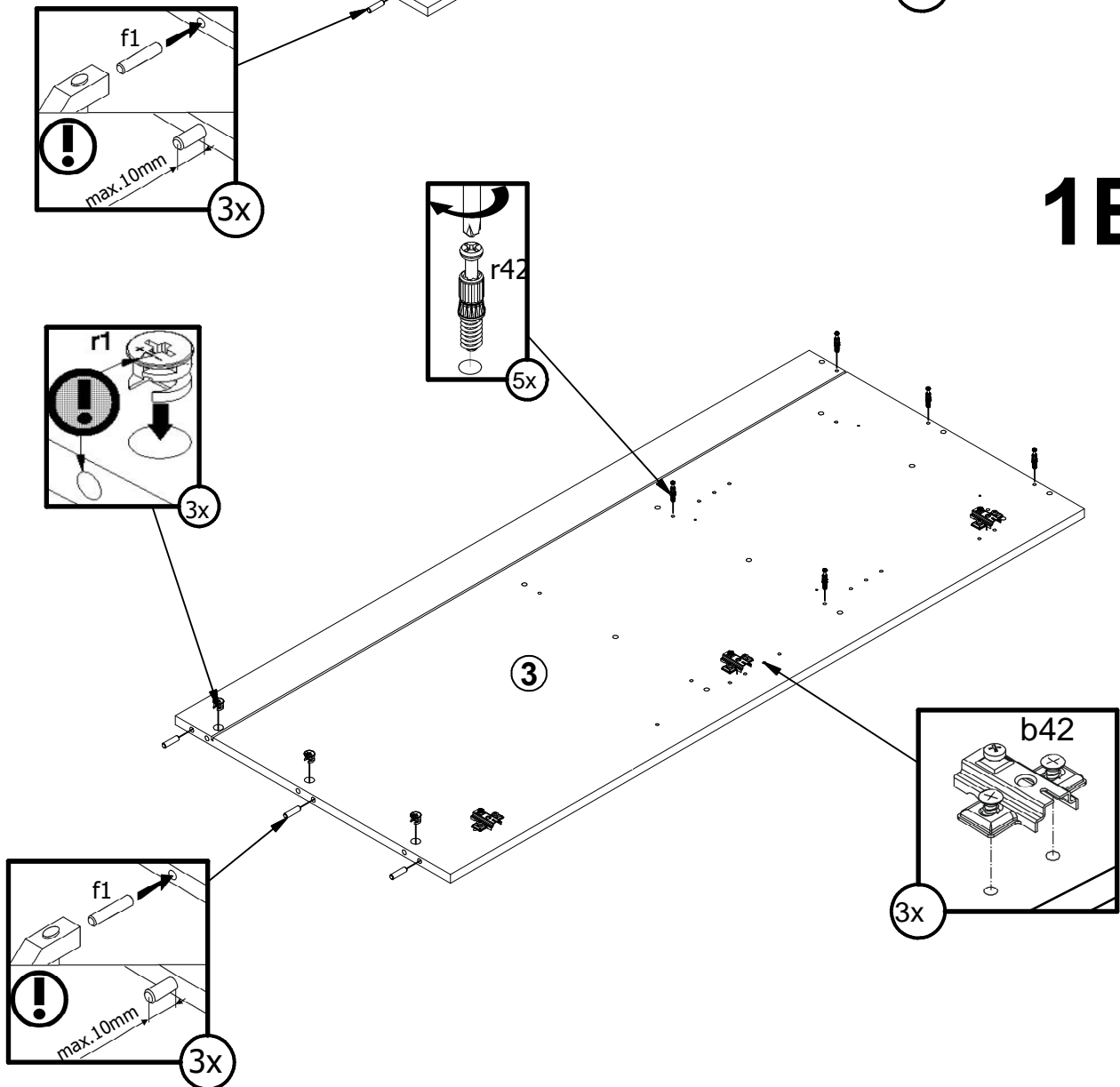
A	B	C1	C2	C3	D
1	S540-0010	1312	596	16	3/4
2	S540-0011	713	596	16	3/4
3	S540-1013	1336	580	16	2/4
4	S540-1014	1336	580	16	2/4
5	S540-1015	1320	481	16	1/4
6	S540-2003	1234	581	16	3/4
7	S540-3011	1200	579	16	2/4
8	S540-3012	586	481	16	1/4
9	S540-3013	598	481	16	1/4
10	S540-3014	597	471	16	1/4
11	S540-4005	600	70	16	1/4
12	S540-4007	600	70	12	1/4
13	S540-9003	598	443	2,5	3/4
14	S540-9006	720	611	2,5	3/4



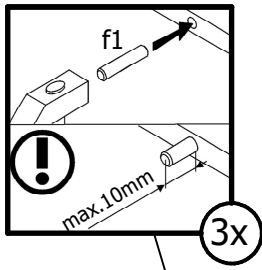
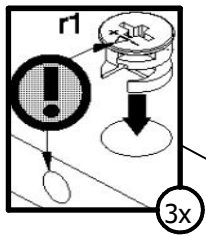
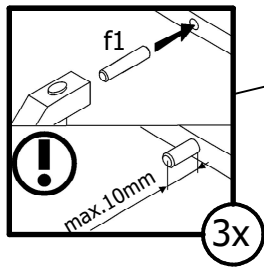
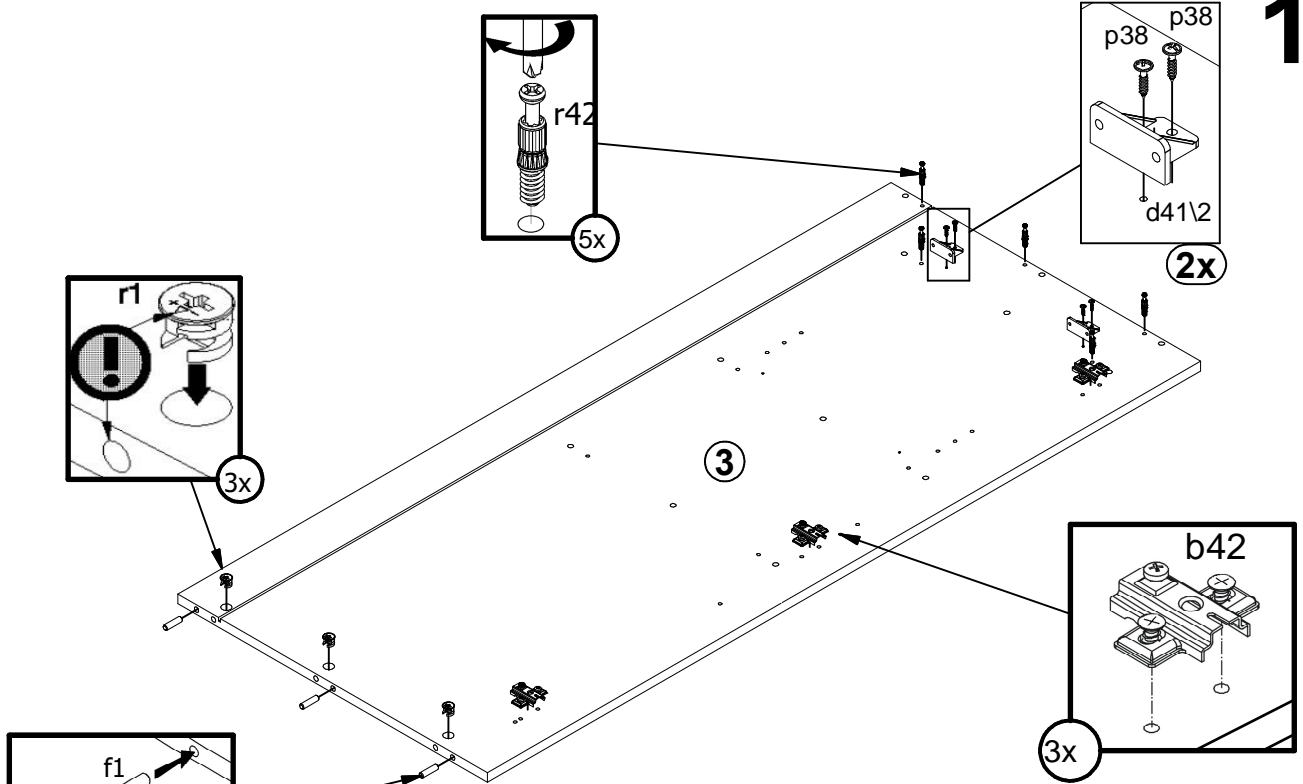
# 1A,C



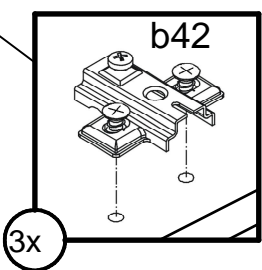
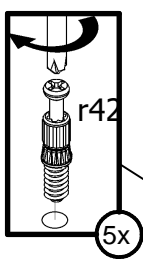
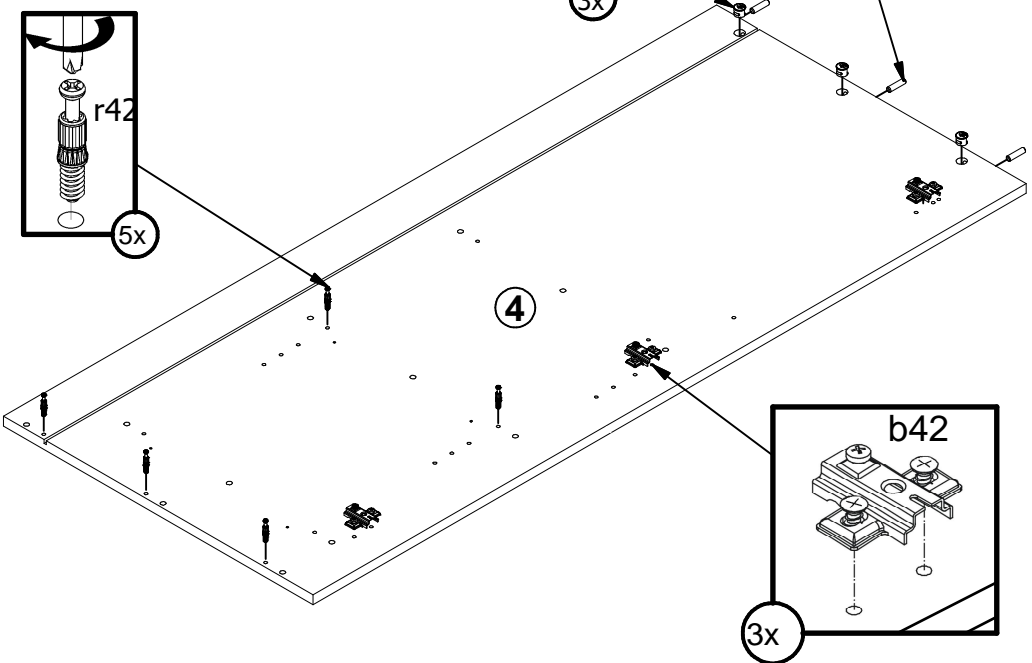
# 1B



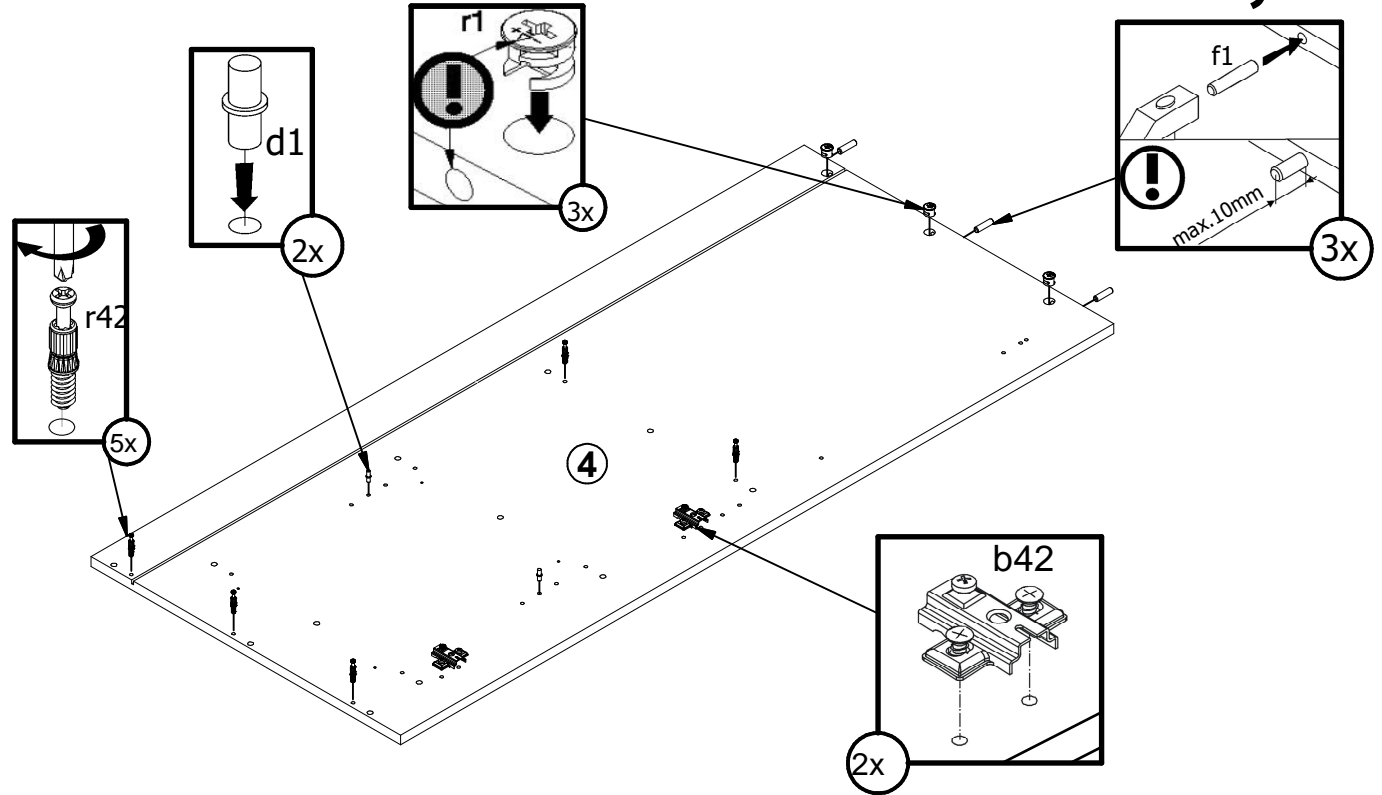
1D



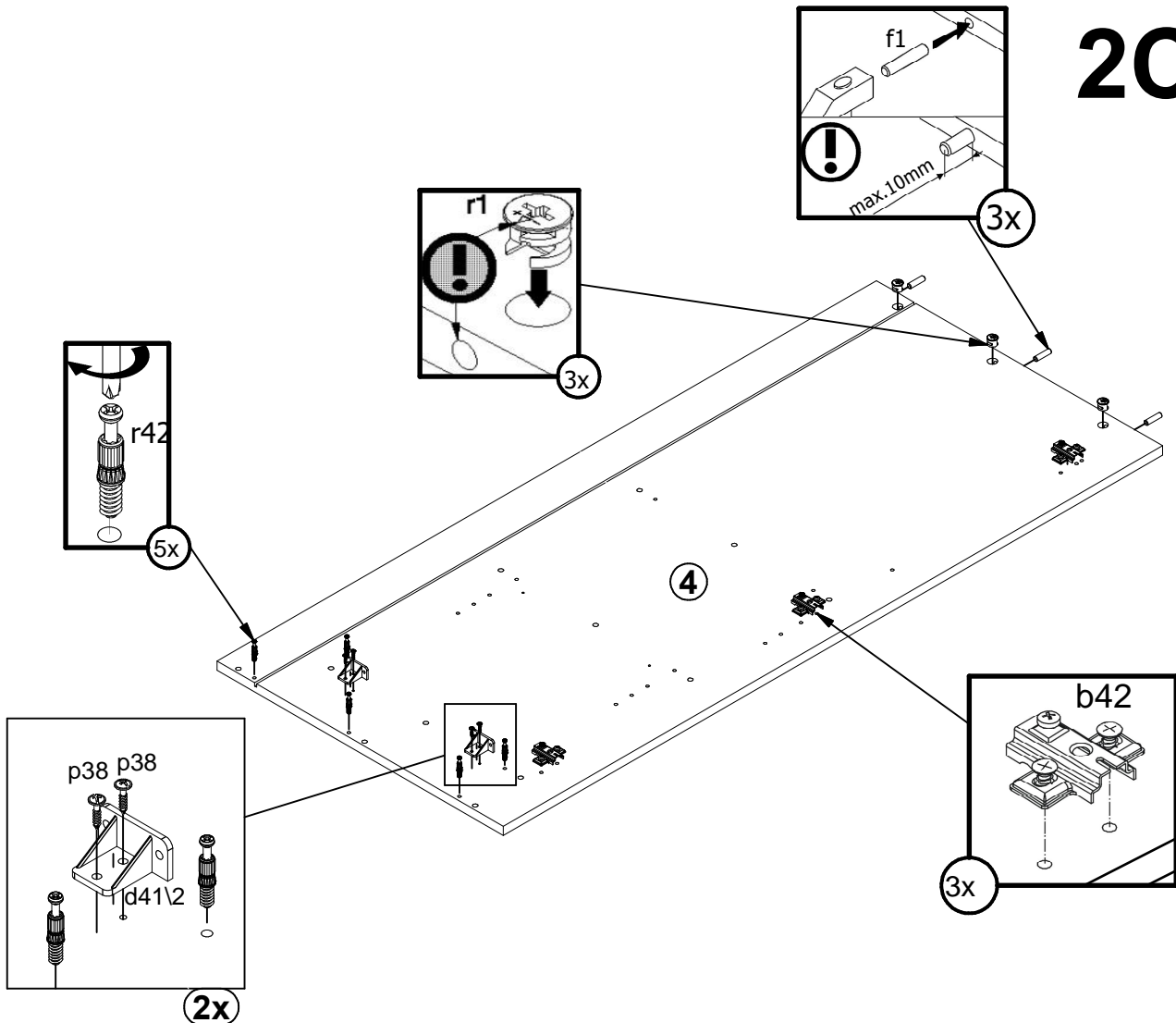
2A



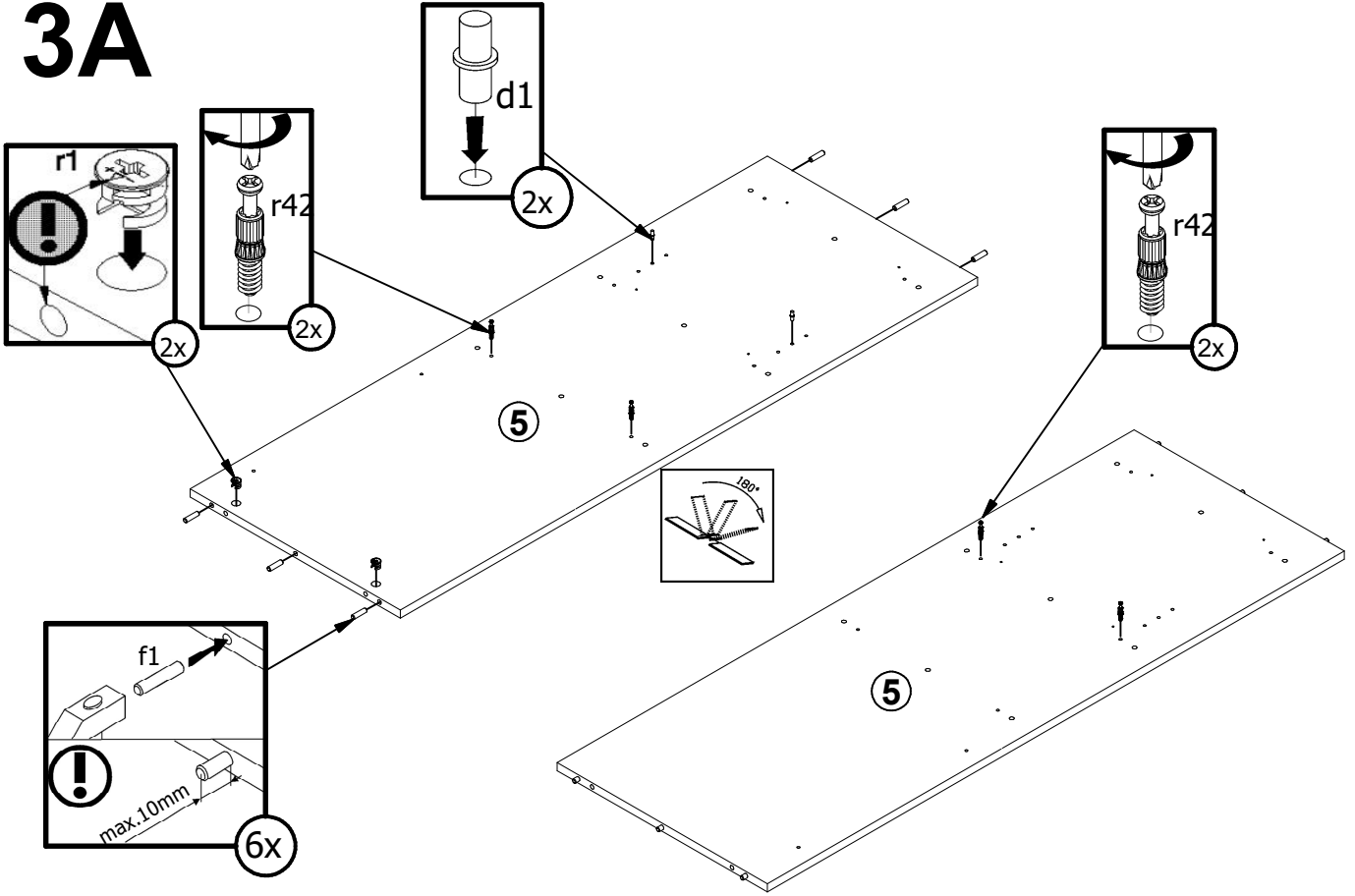
# 2B,D



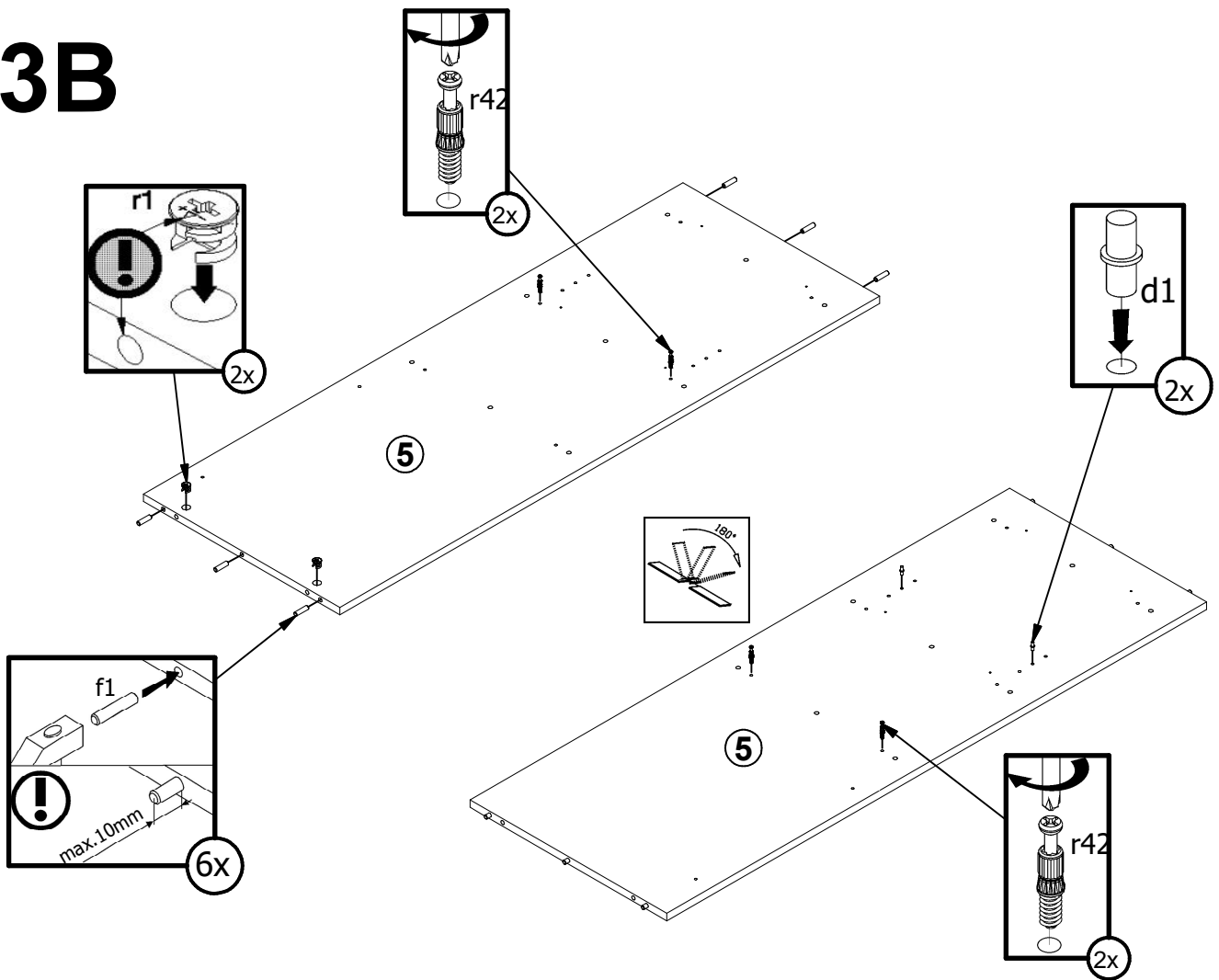
# 2C



# 3A

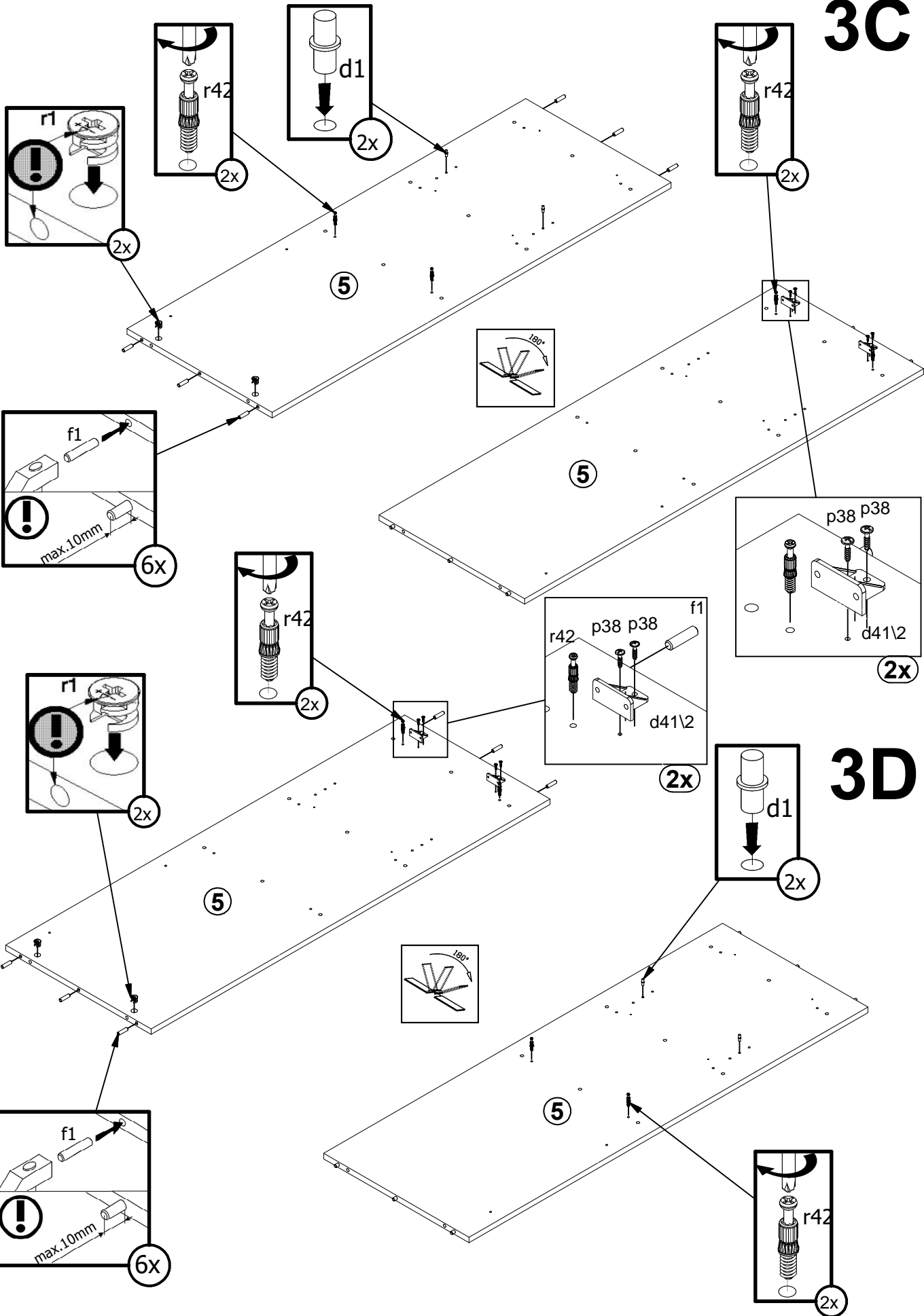


# 3B

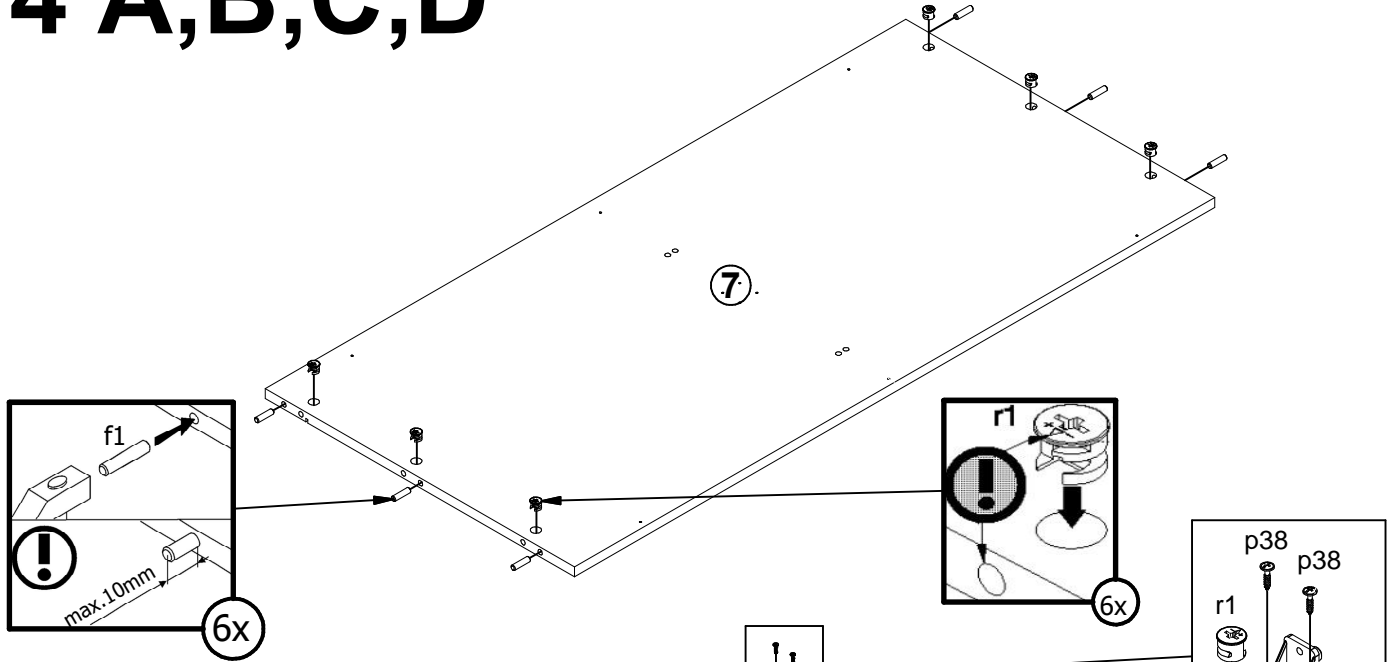


3C

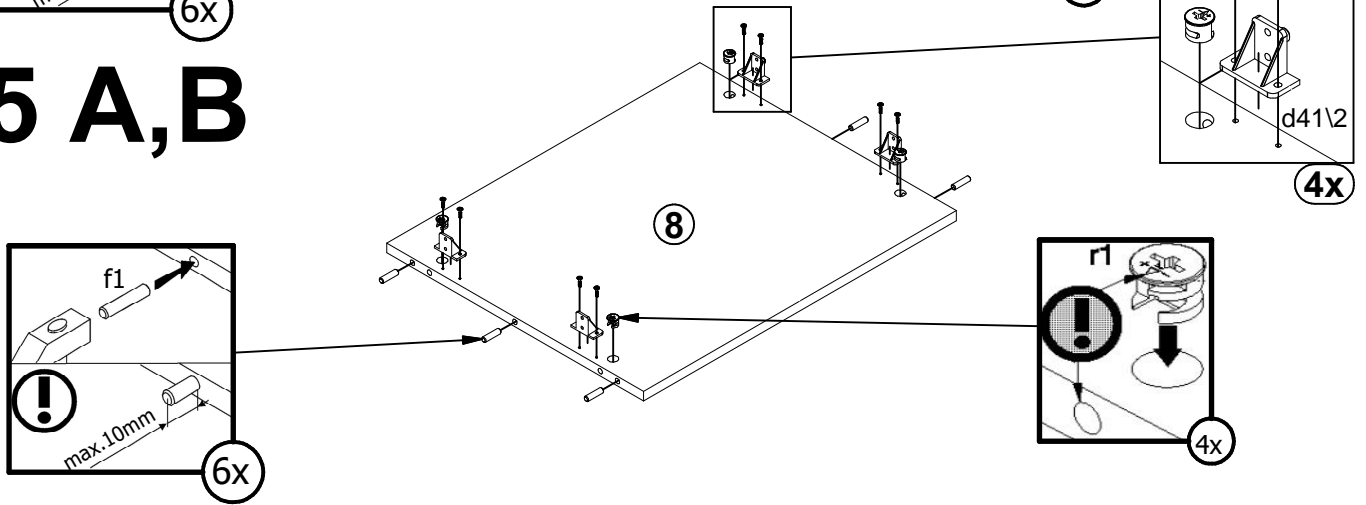
3D



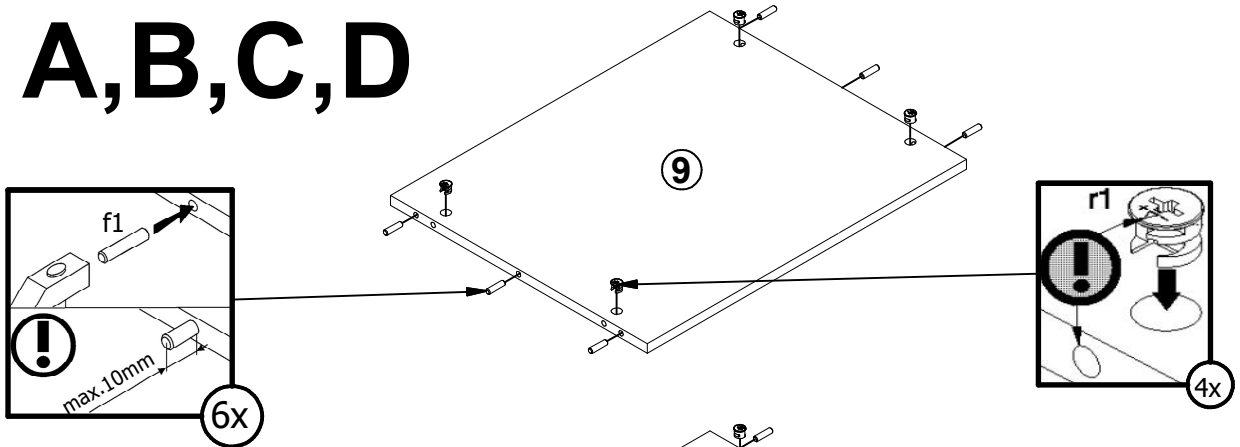
# 4 A,B,C,D



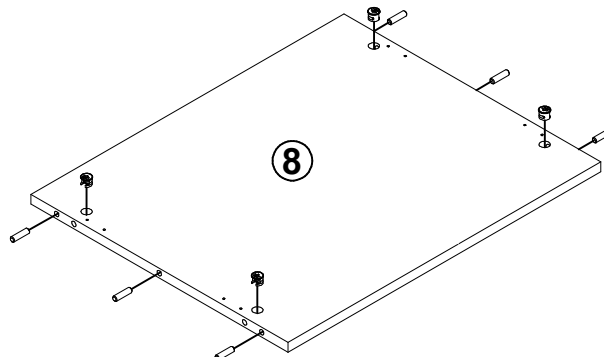
# 5 A,B



# 6 A,B,C,D

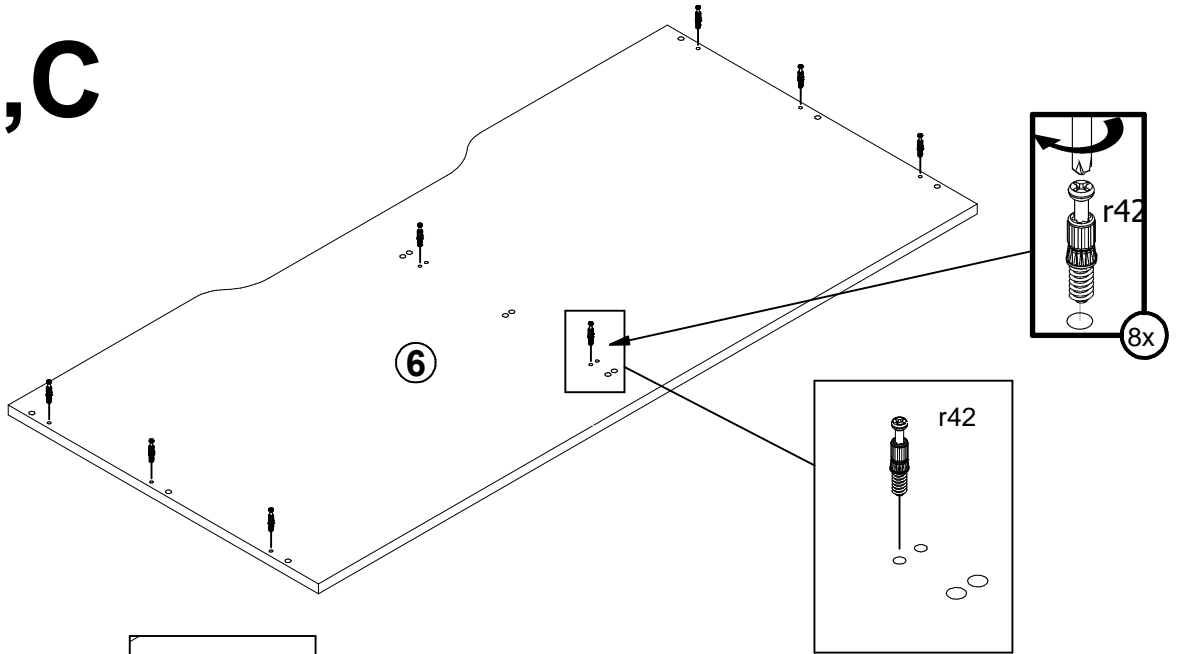


# 7 C,D

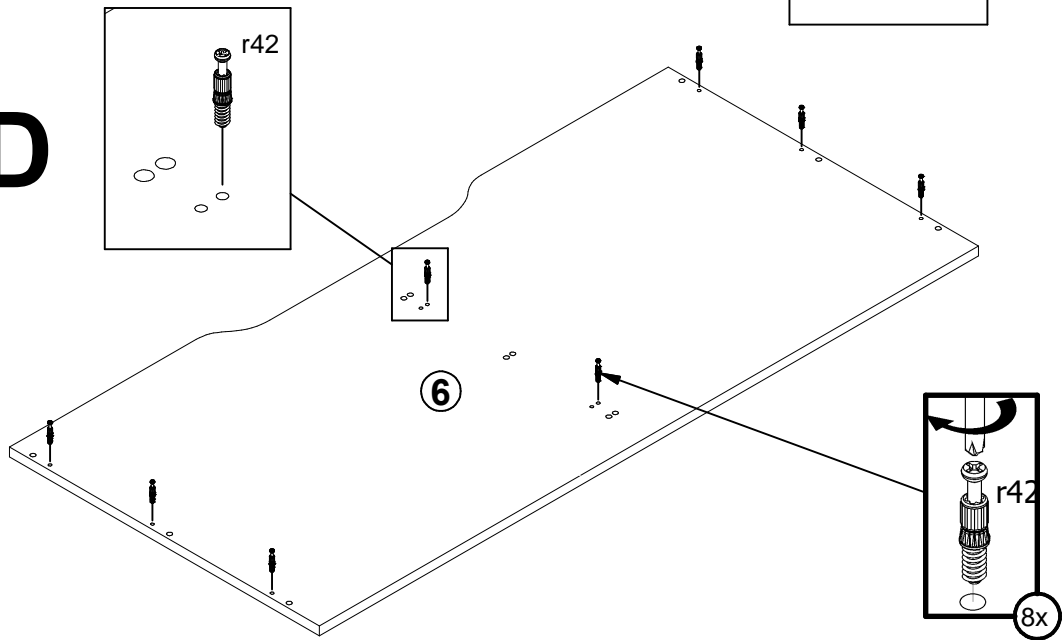




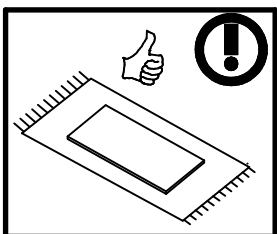
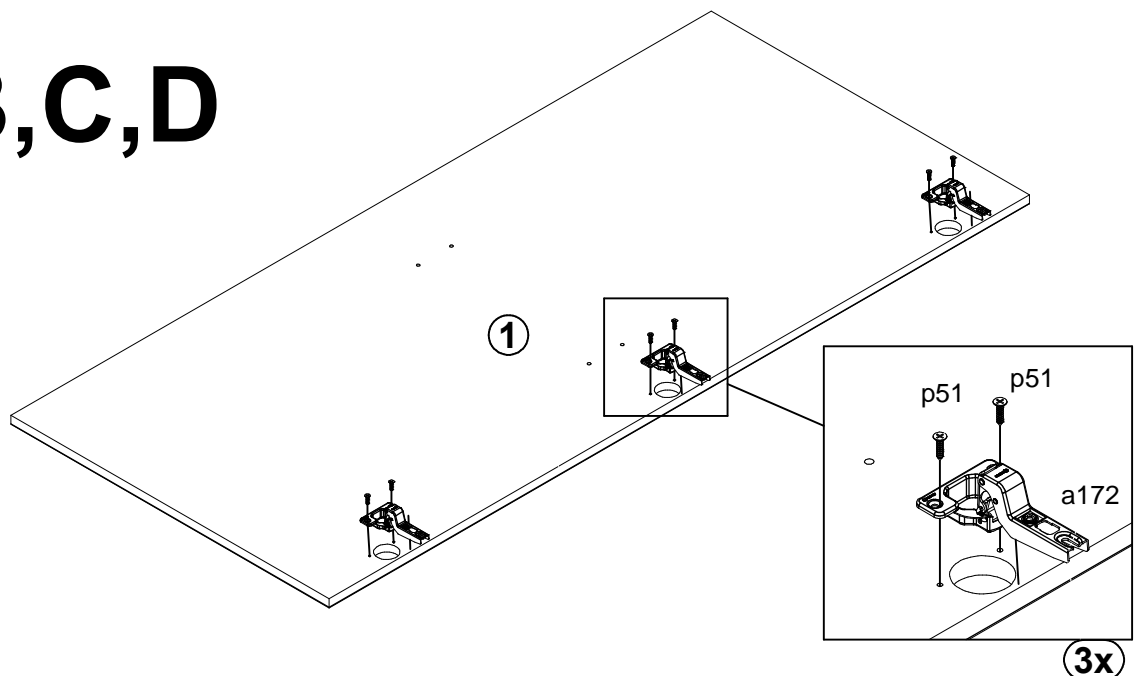
# 7 A,C



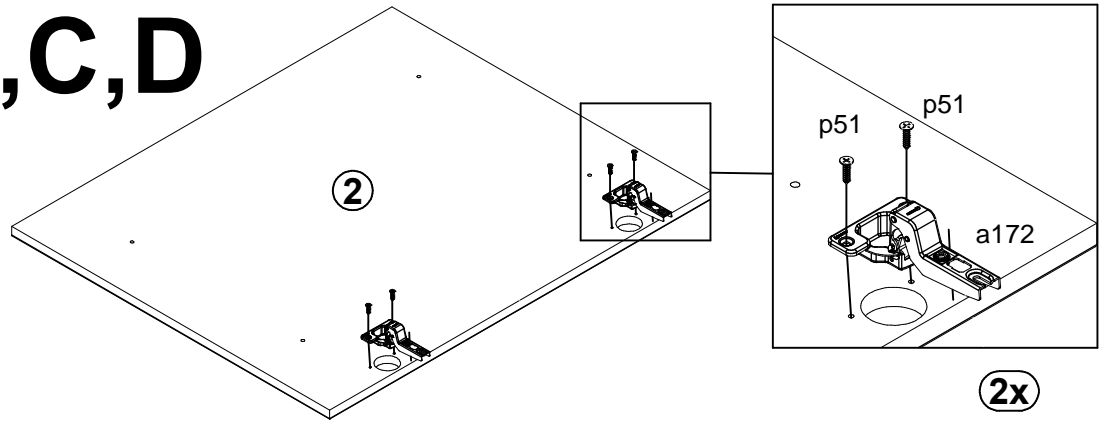
# 7 B,D



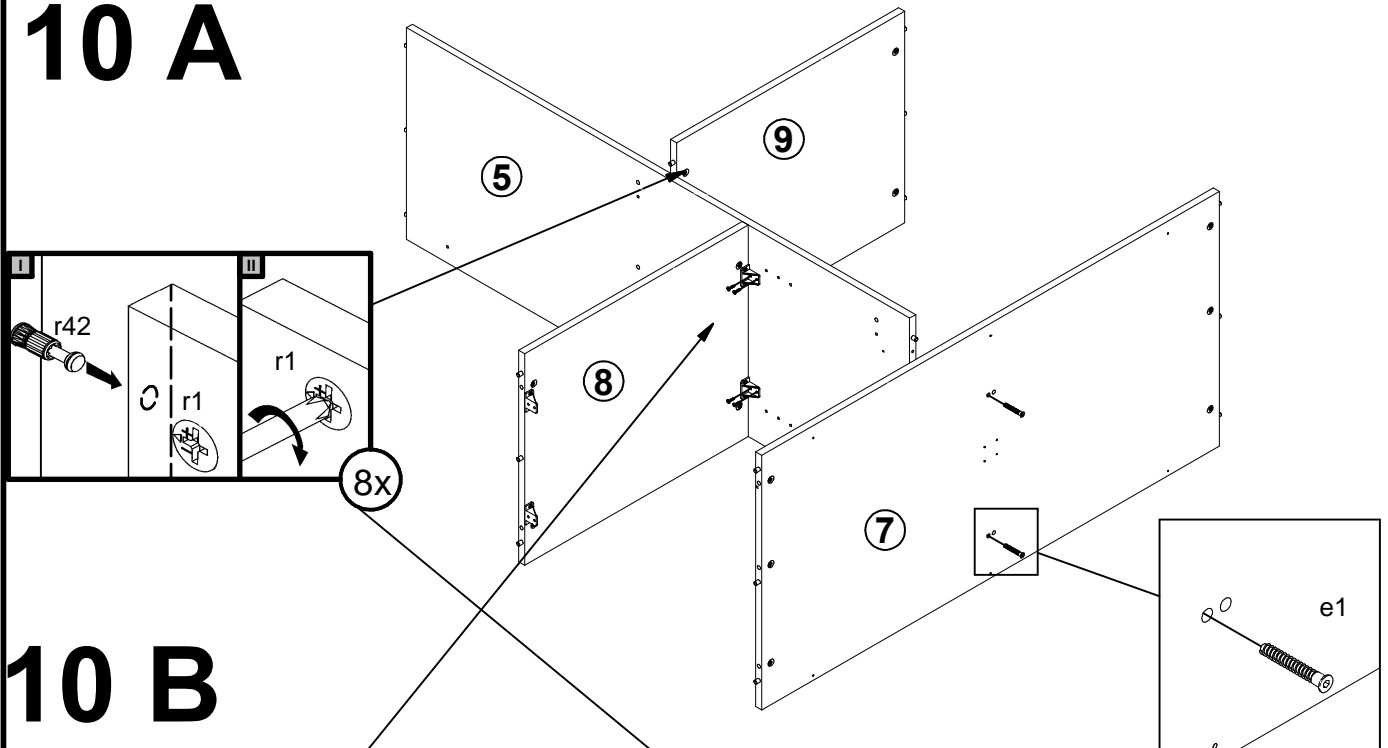
# 8 A,B,C,D



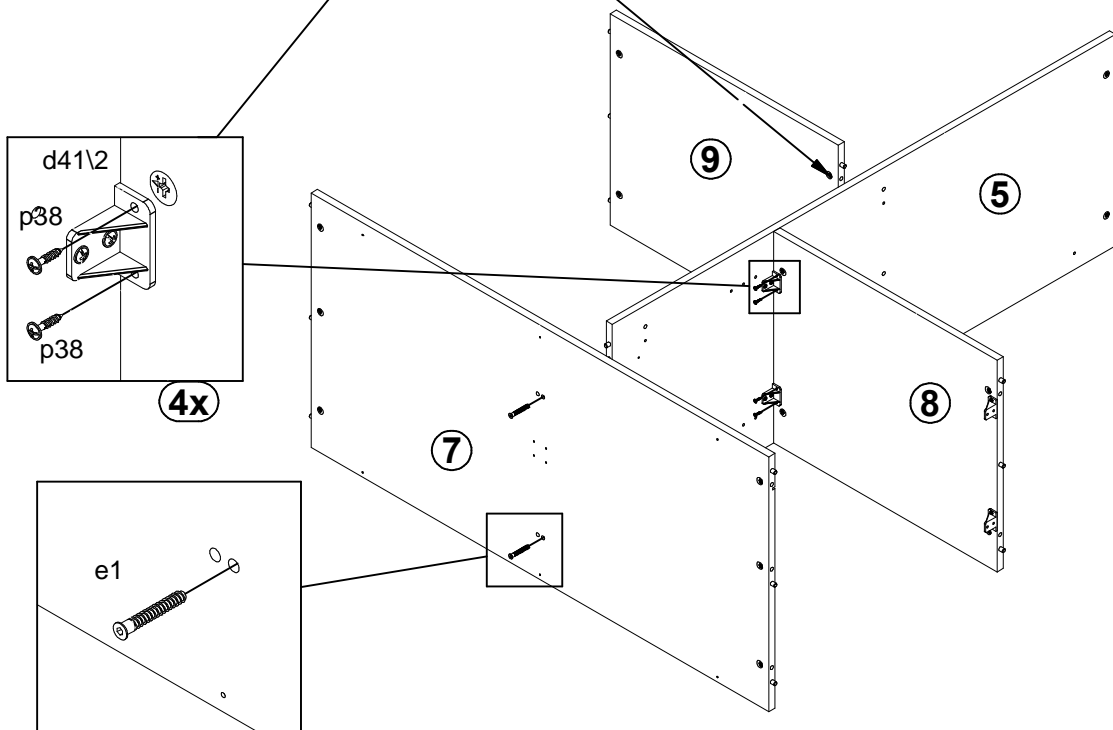
# 9 A,B,C,D



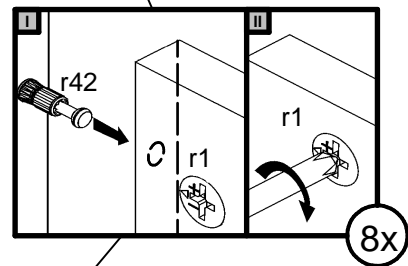
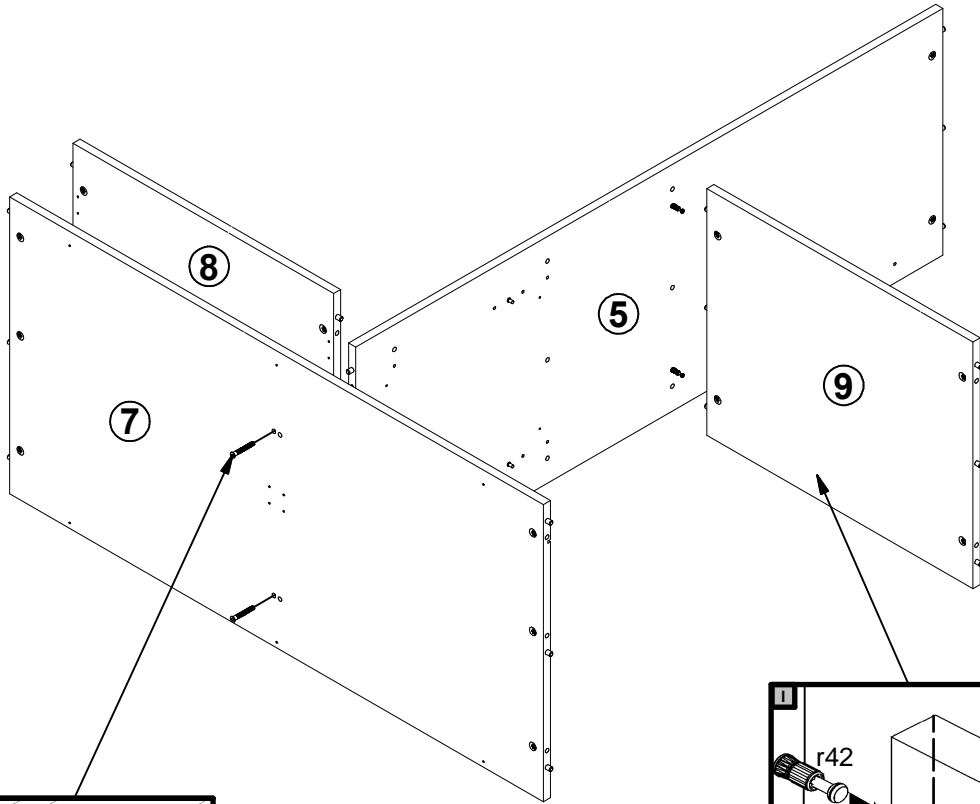
# 10 A



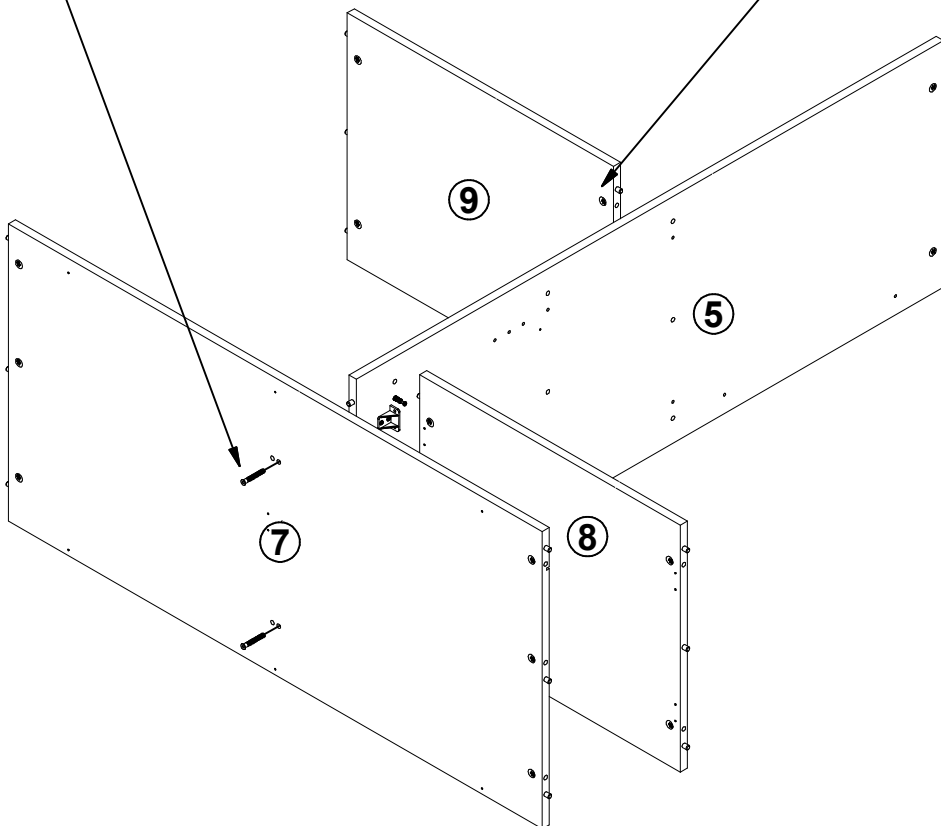
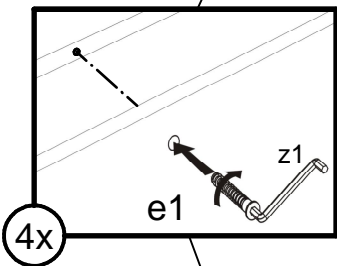
# 10 B



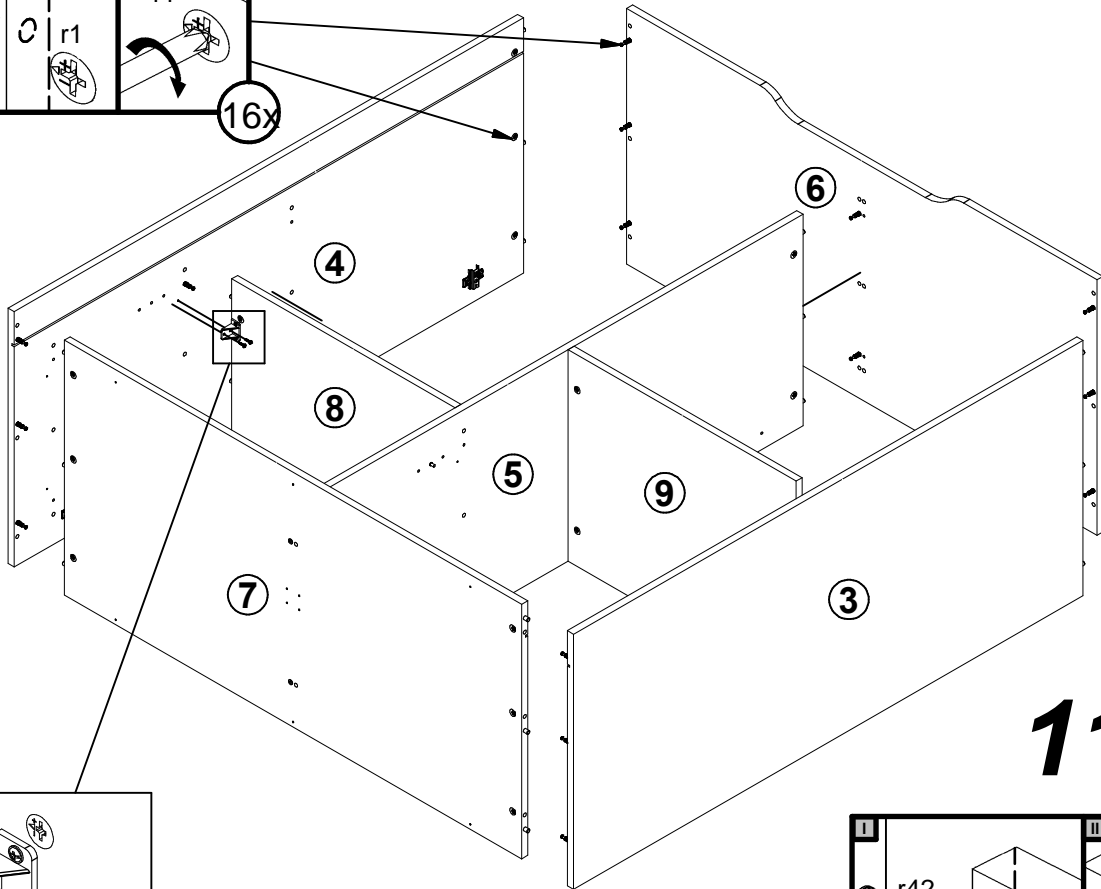
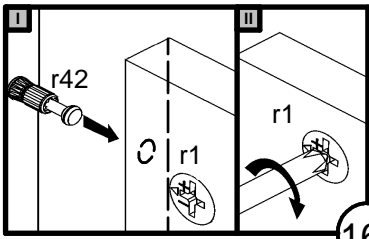
# 10 C



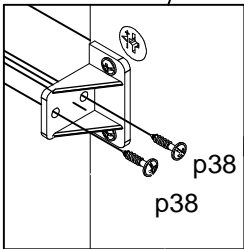
# 10 D



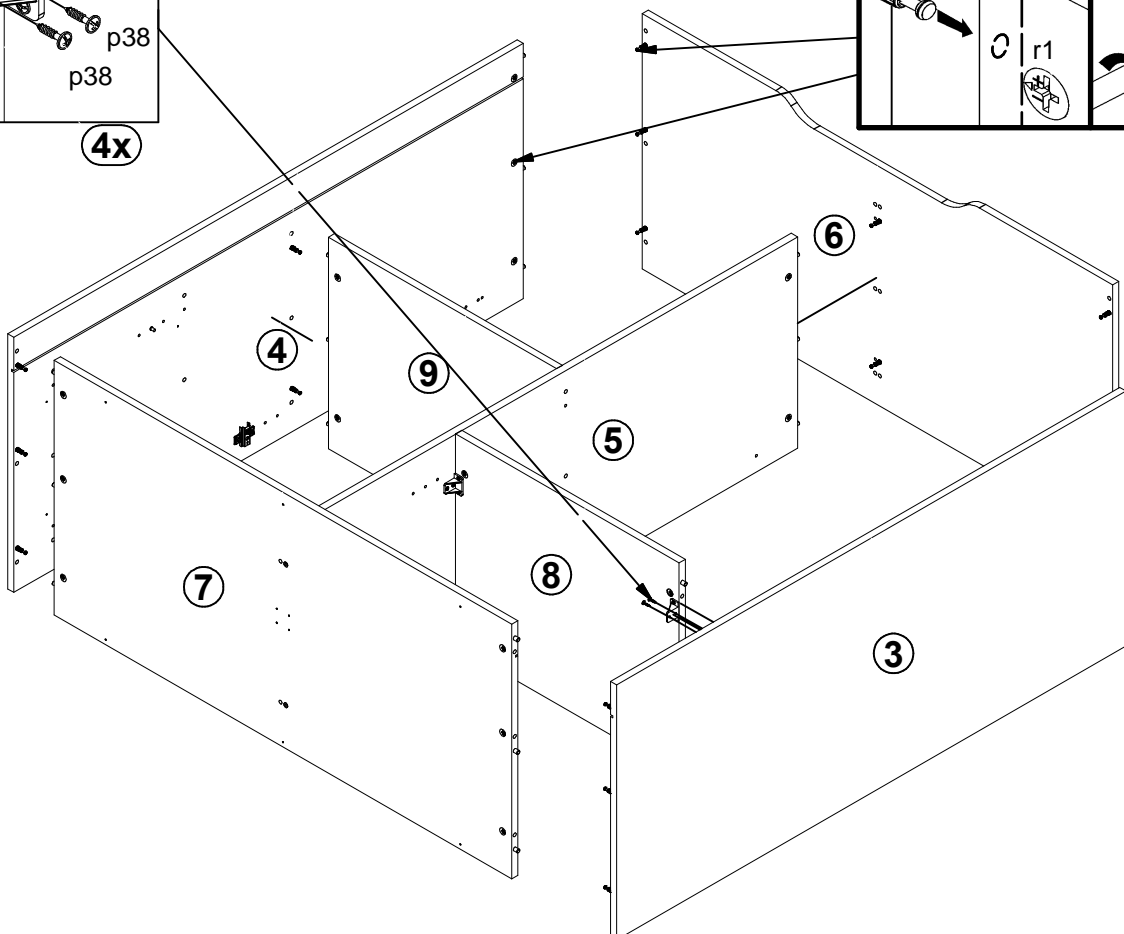
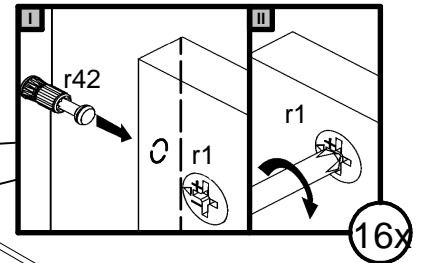
# 11 A



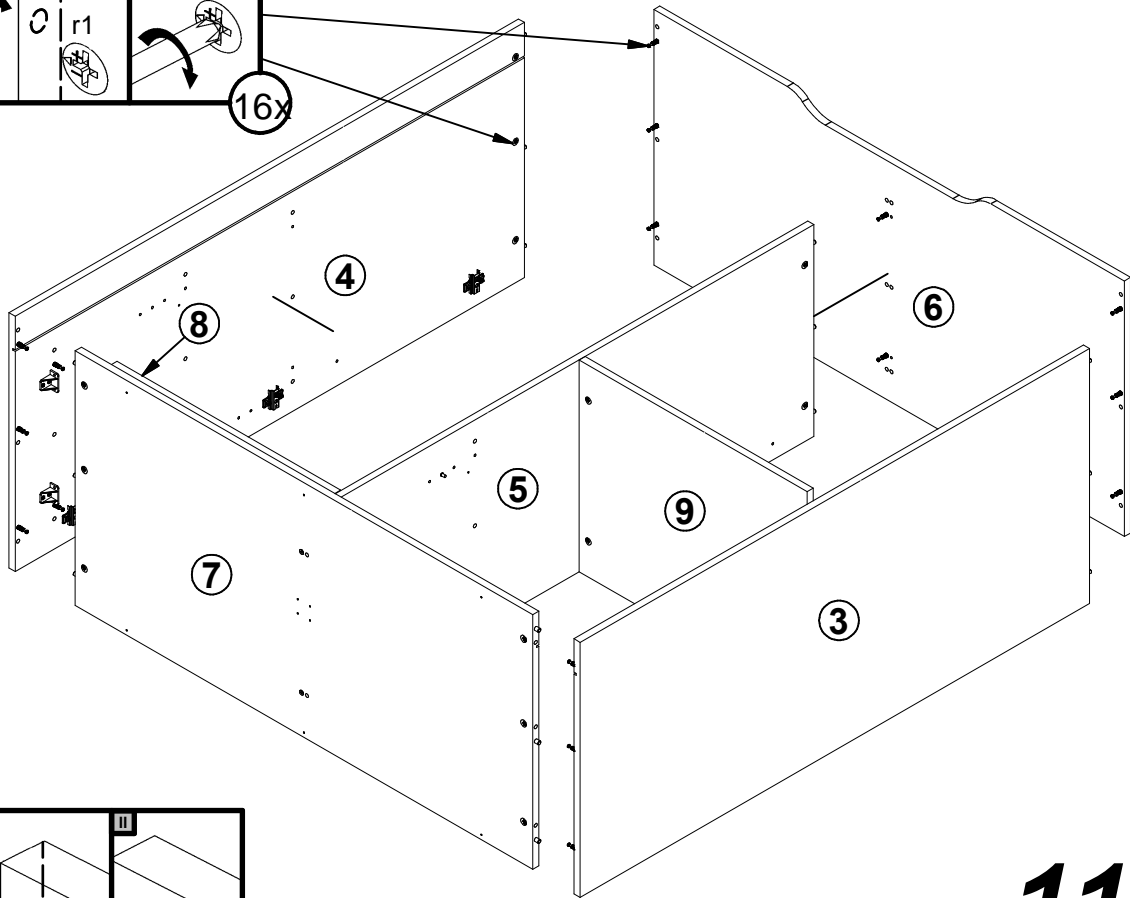
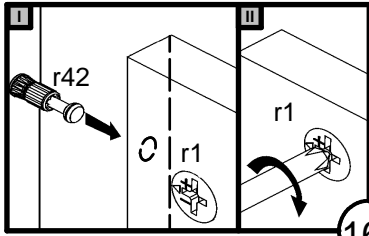
# 11 B



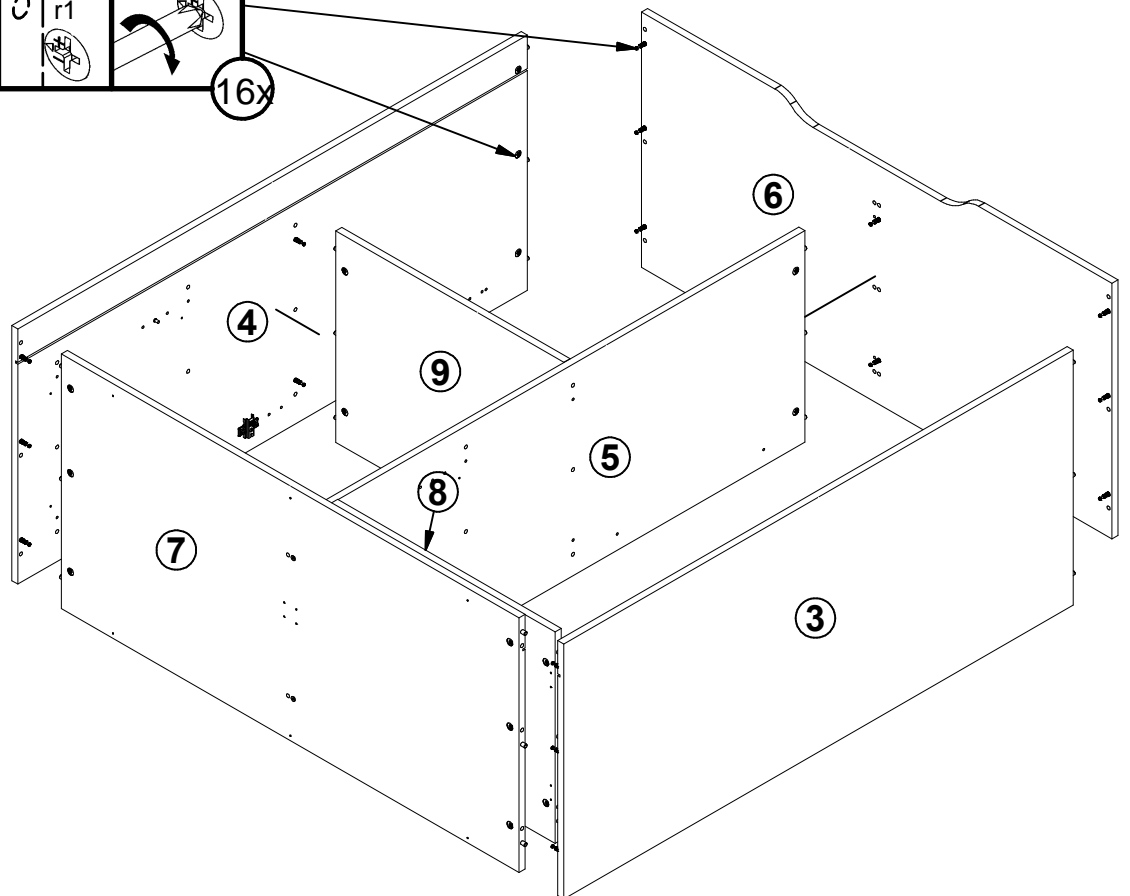
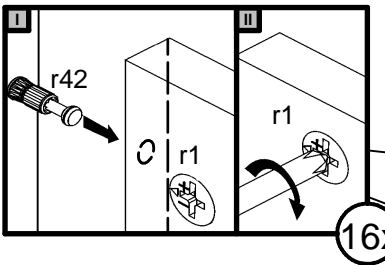
4x



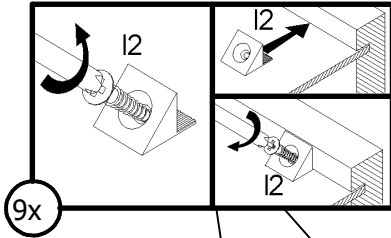
11 C



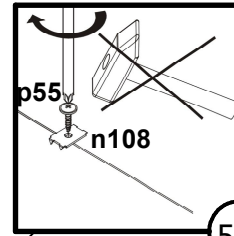
11 D



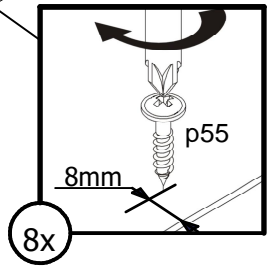
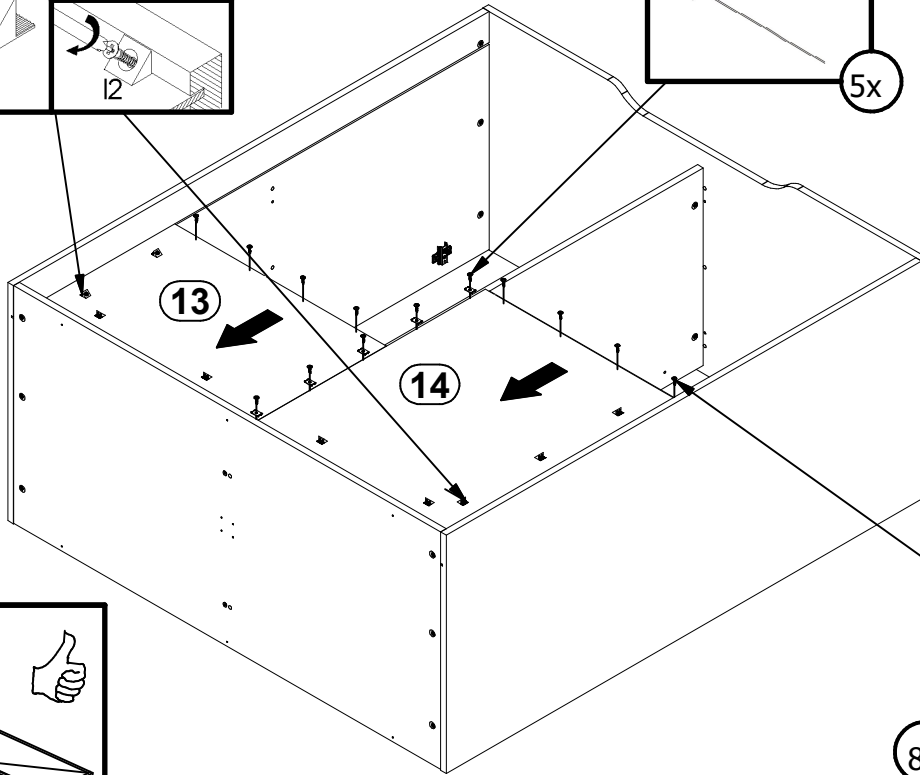
# 12 A



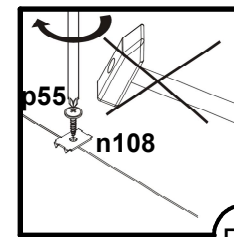
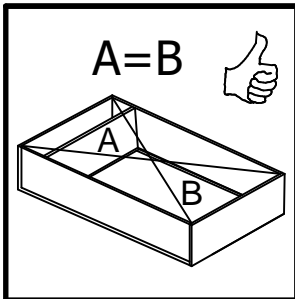
9x



5x

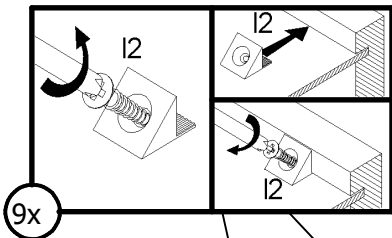


8x

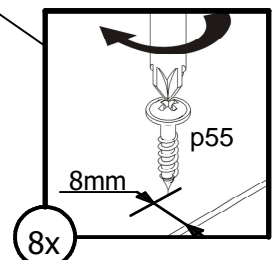
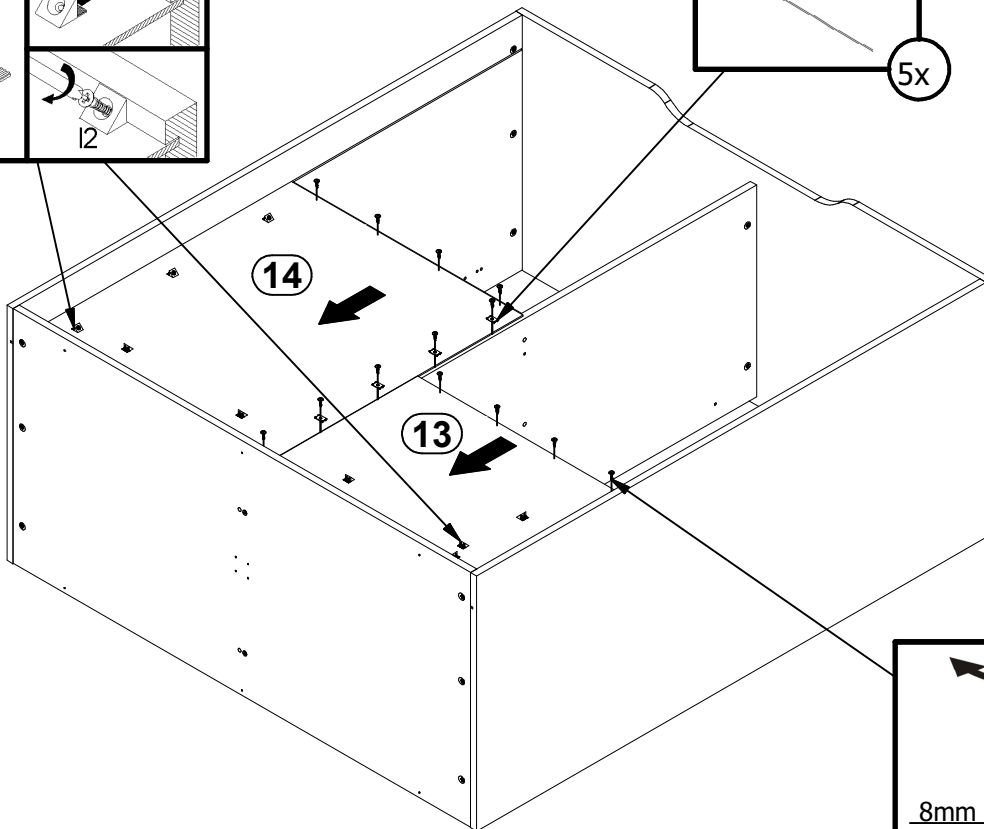


5x

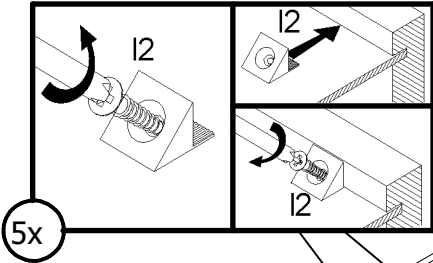
# 12 B



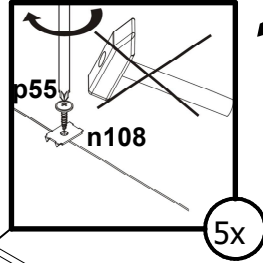
9x



8x

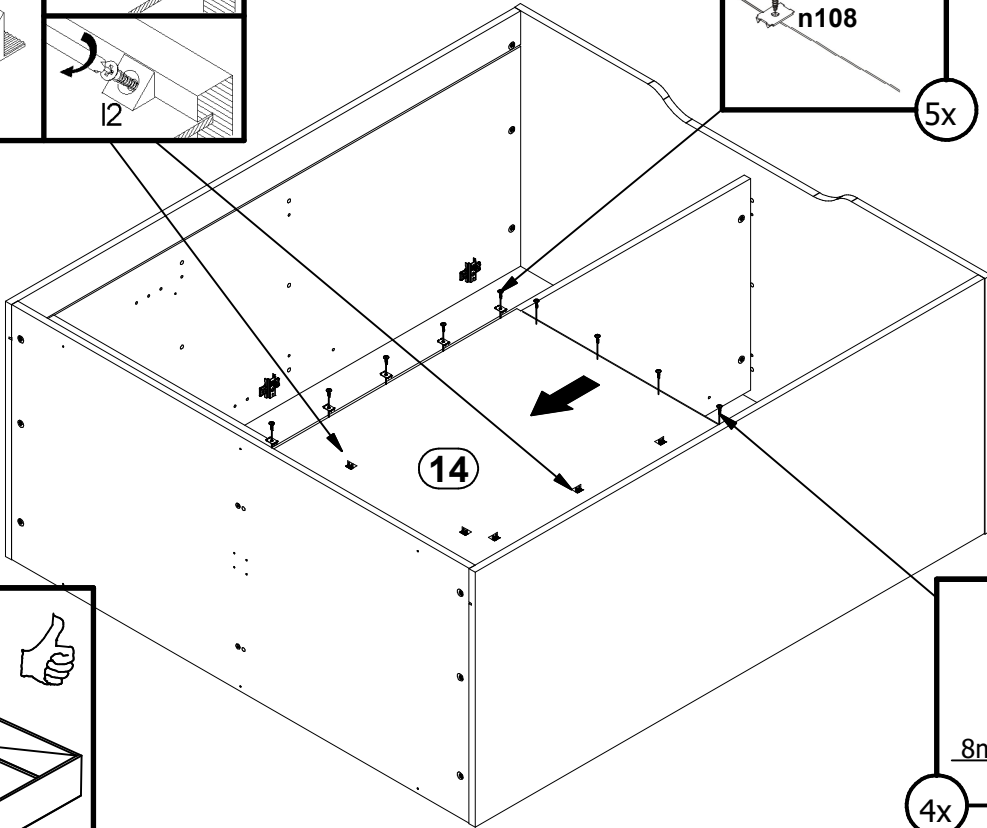


5x

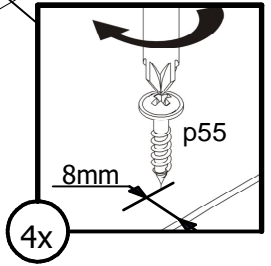
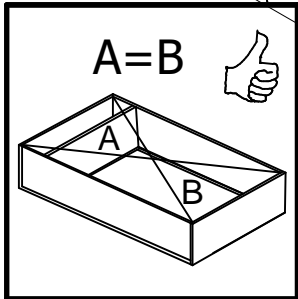


5x

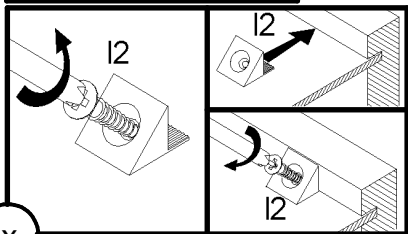
12 C



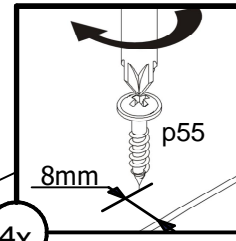
14



4x

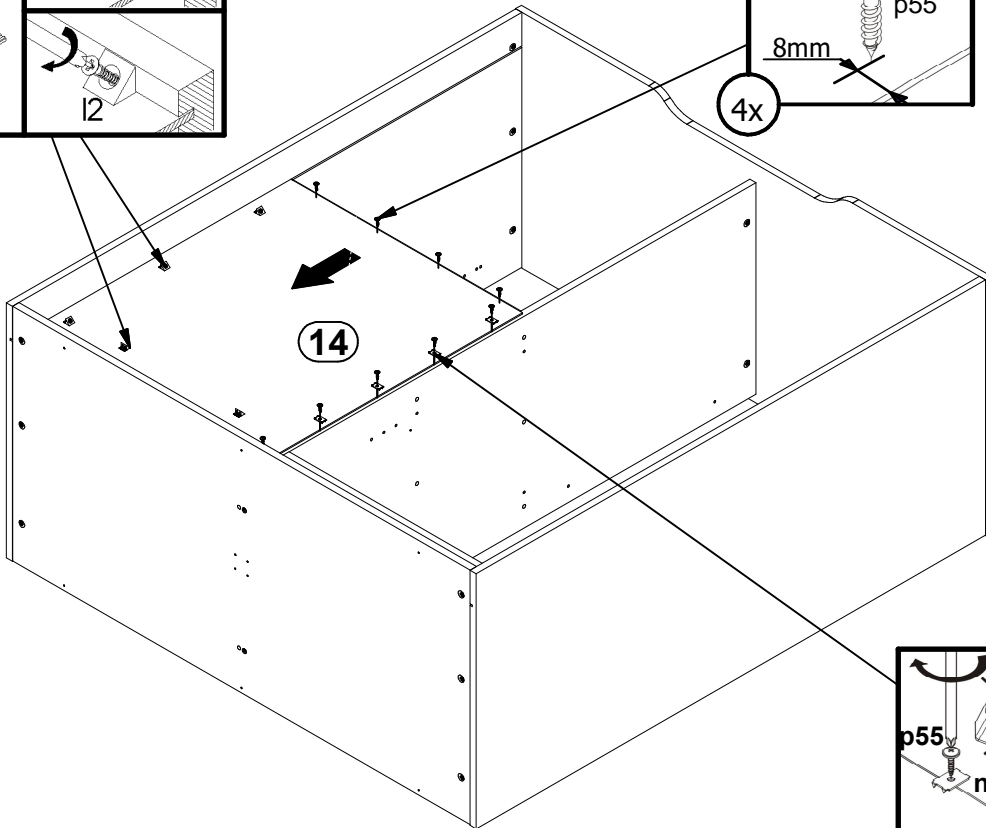


5x

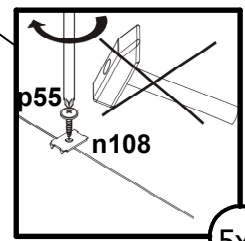


4x

12 D

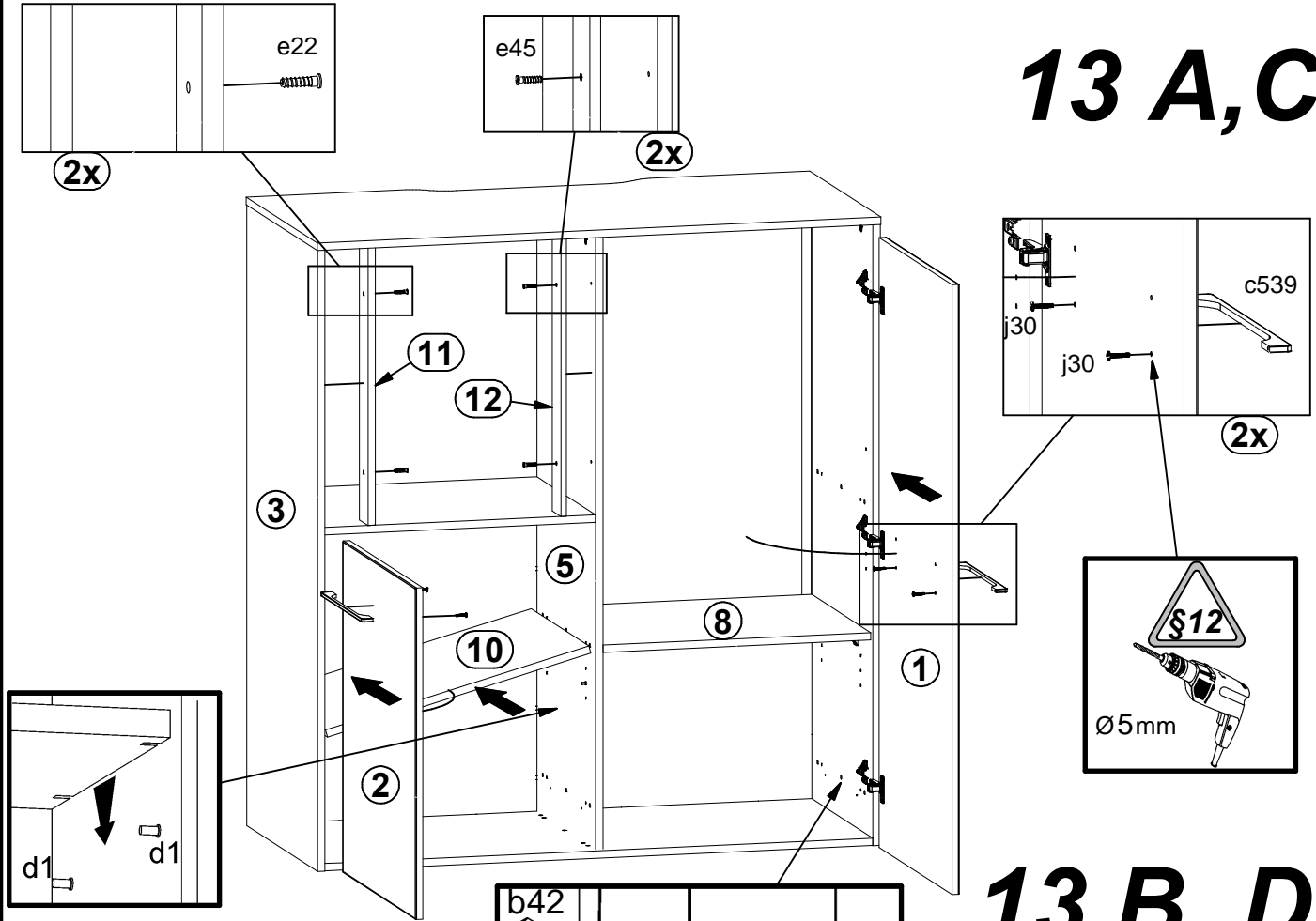


14

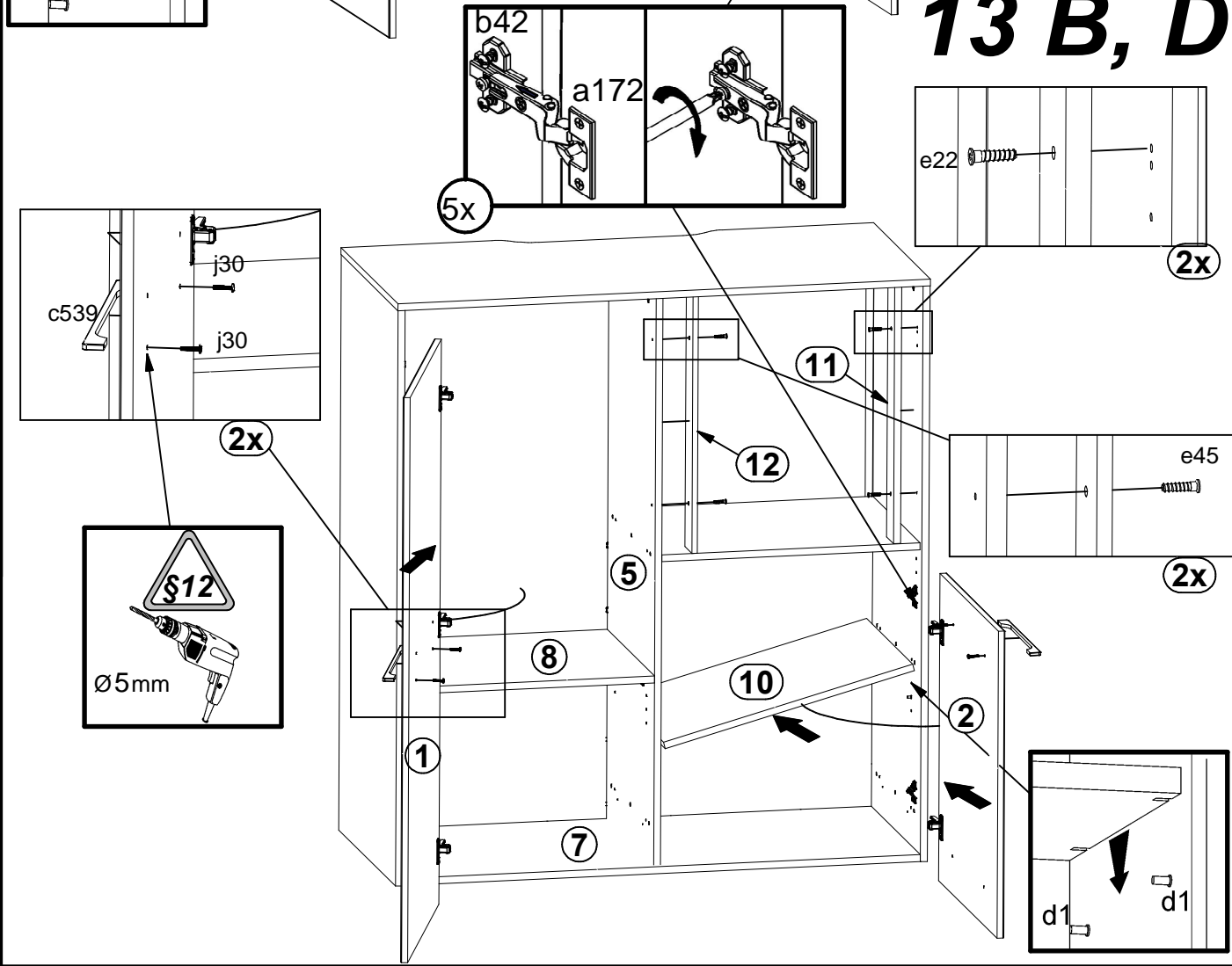


5x

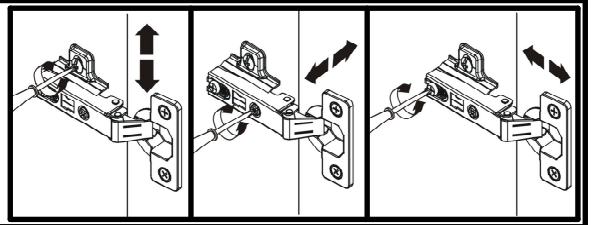
# 13 A, C



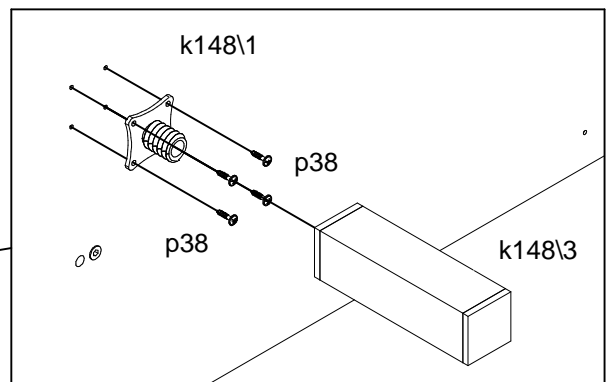
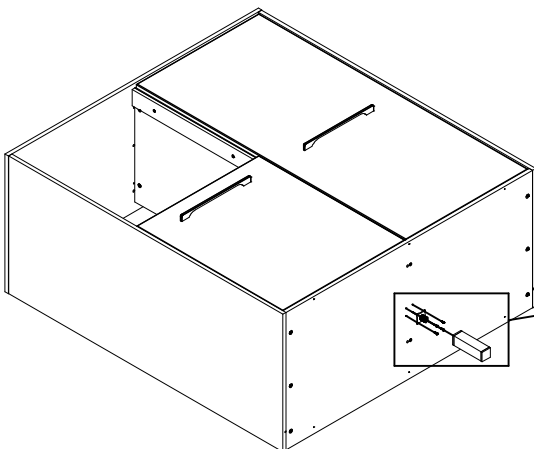
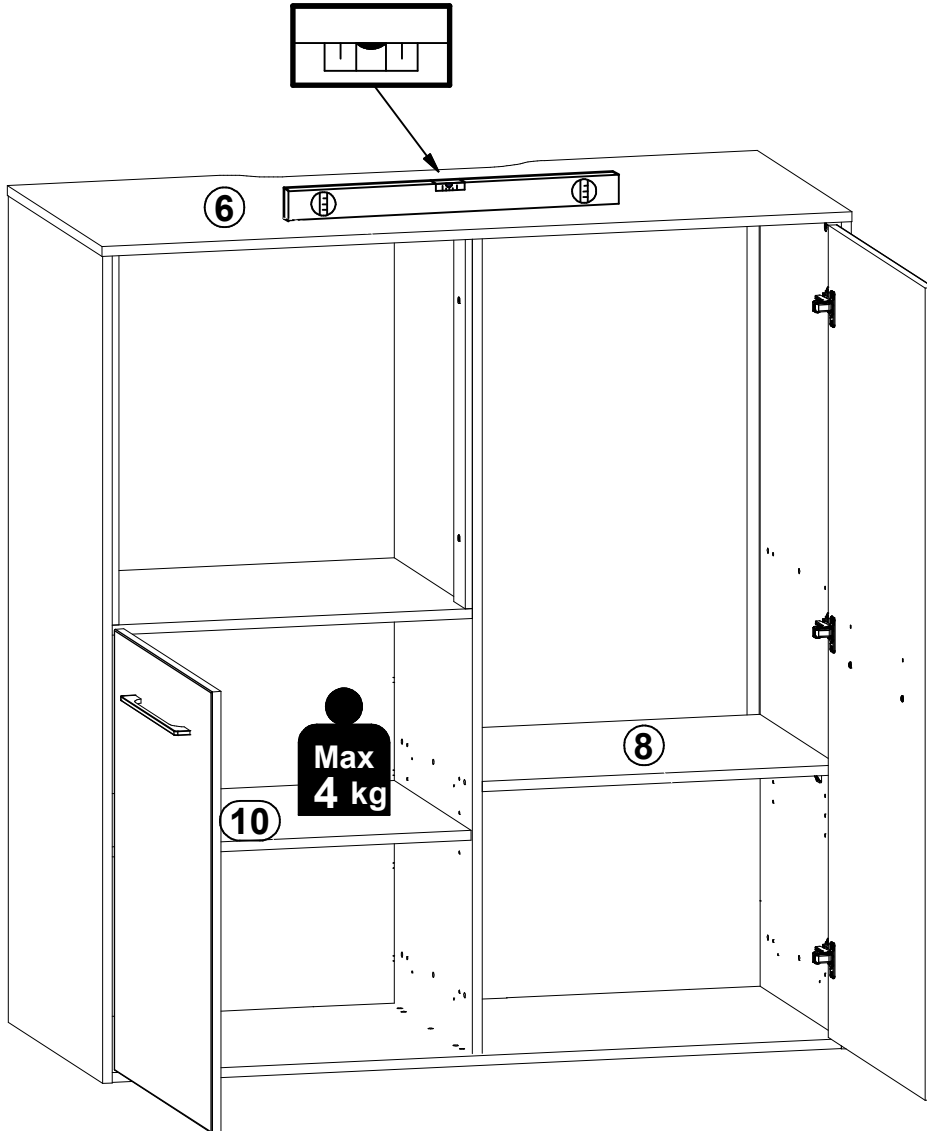
# 13 B, D

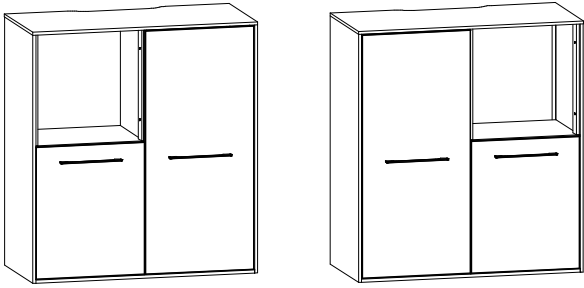




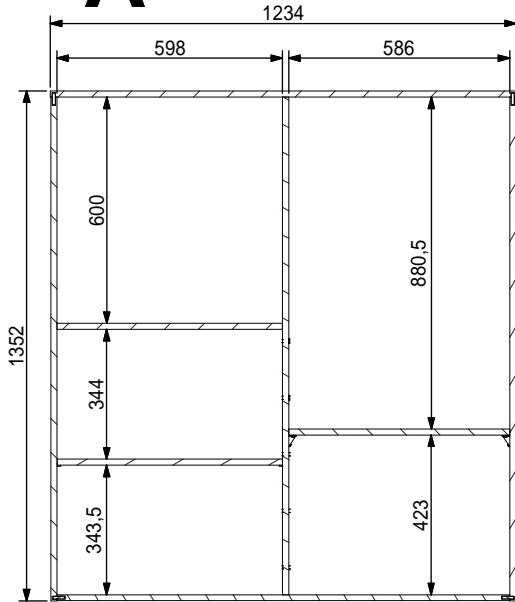


14

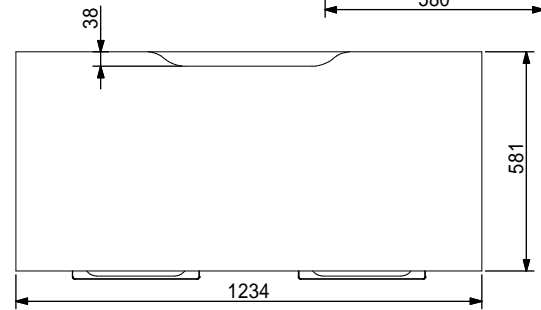
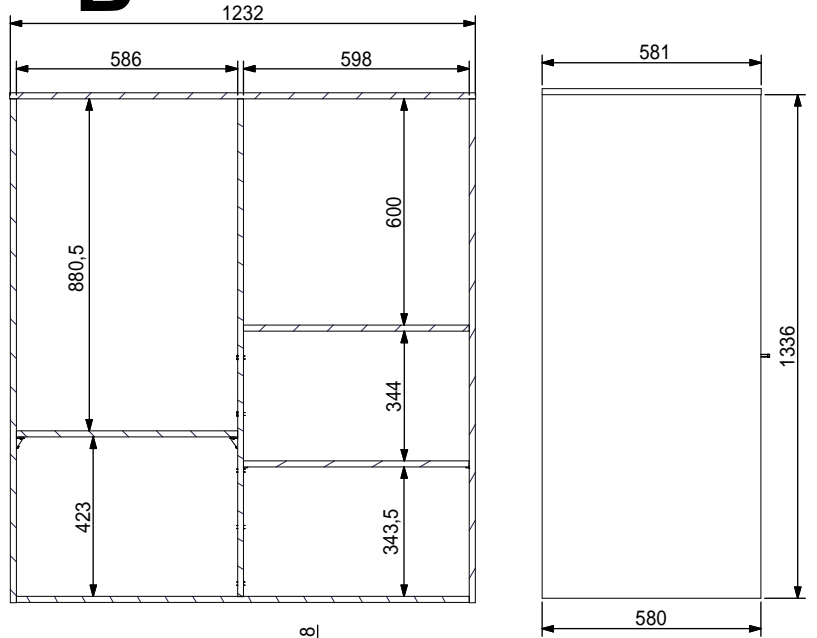




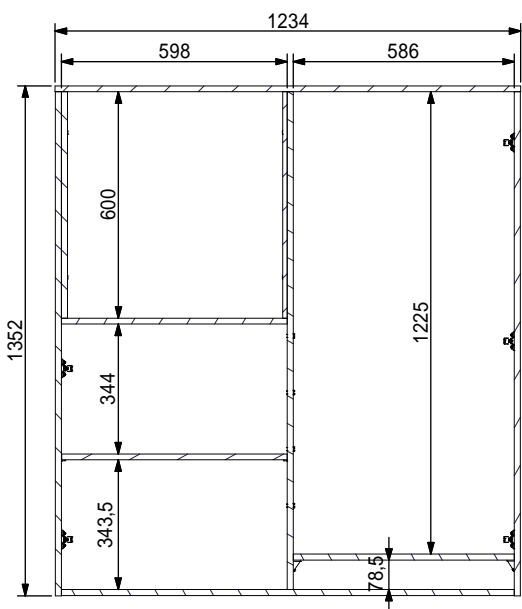
**A**



**B**



**C**



**D**

