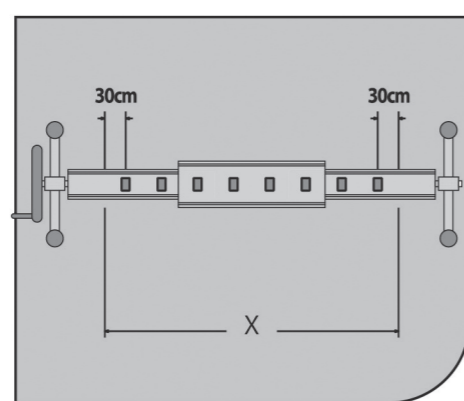
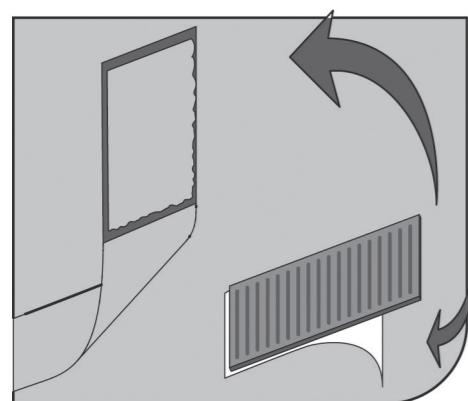
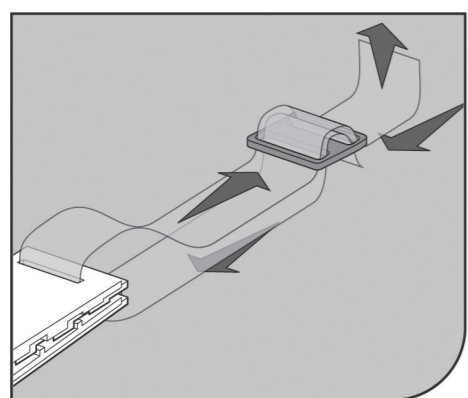




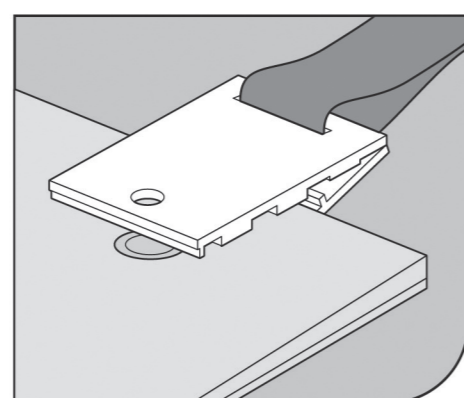
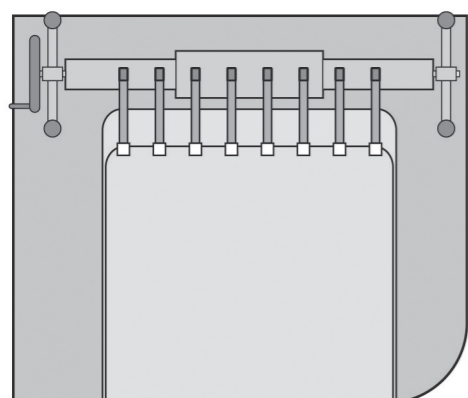
**COVER ROLLER FOR INGROUND POOLS**  
**ENROLLADOR DE CUBIERTAS PARA PISCINAS ENTERRADAS**  
**ENROULEUR POUR PISCINES ENTERRÉES**  
**ROLLABDECKPLANE FÜR IM BODEN EINGELASSENE SCHWIMMBÄDER**  
**AVVOLGITORE PER PISCINE INTERRATE**  
**AFGEDEKTE OPROLLER VOOR INGEGRAVEN ZWEMBADEN**  
**ENROLADOR DE COBERTURAS PARA PISCINAS ENTERRADAS**



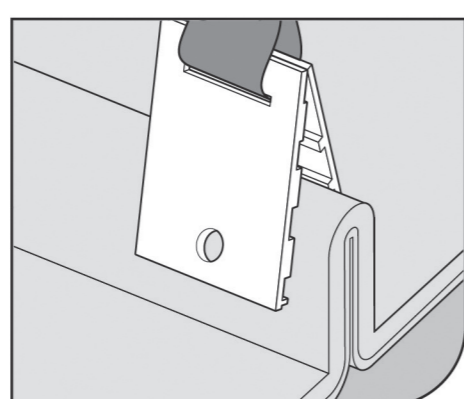
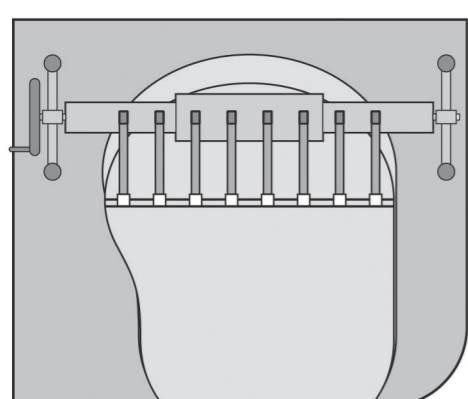
9



10

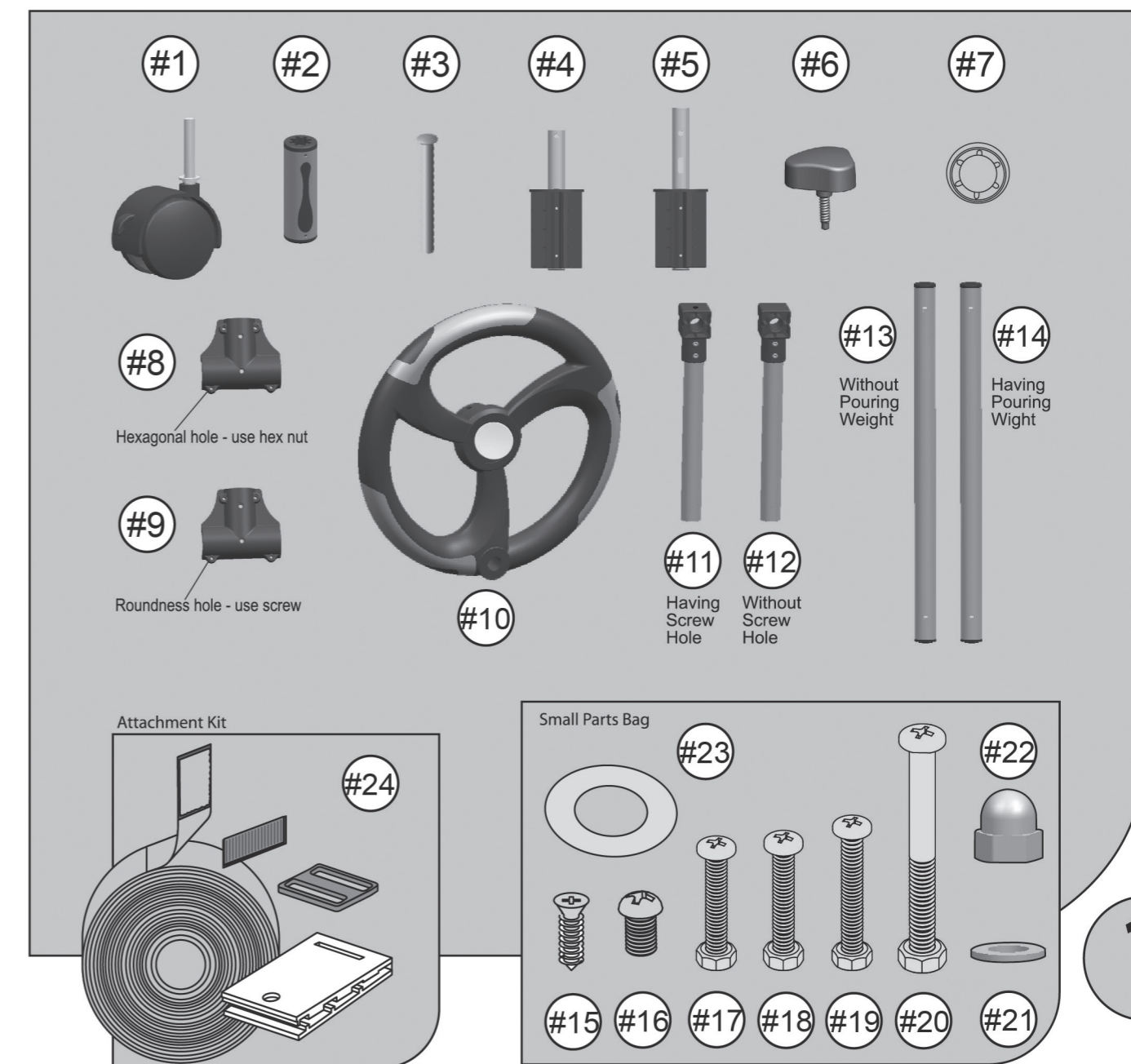


11a

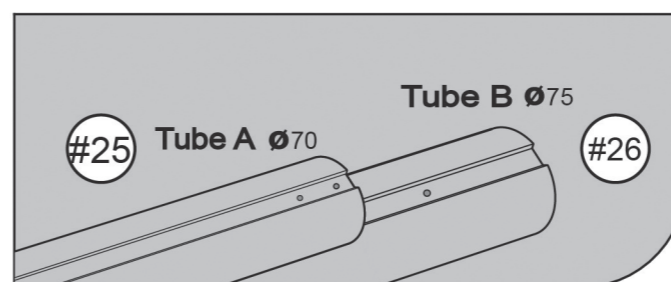


11b

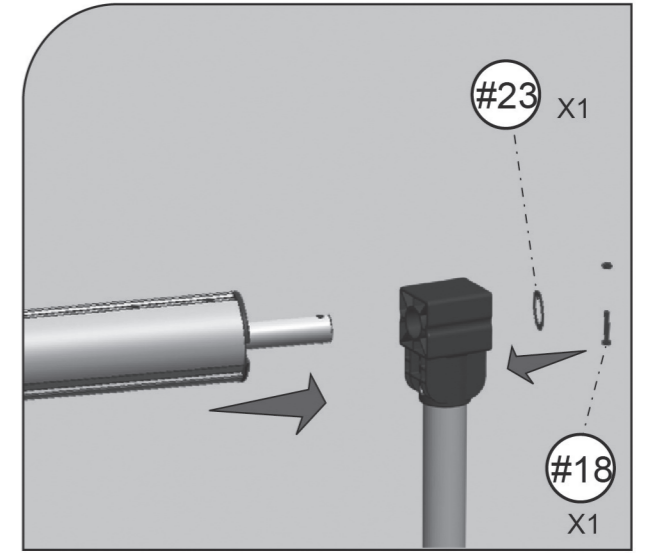
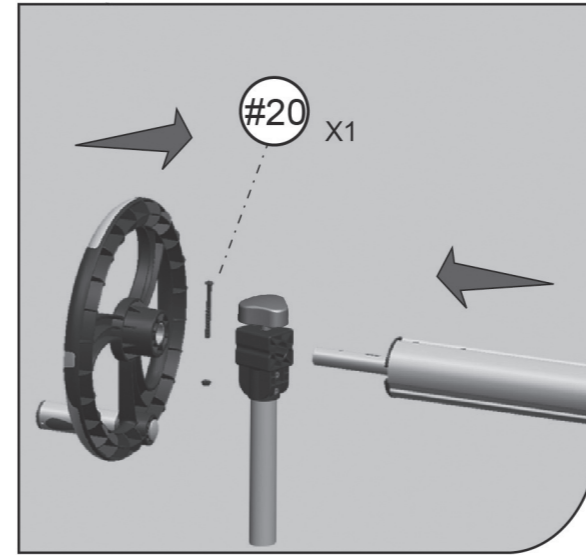
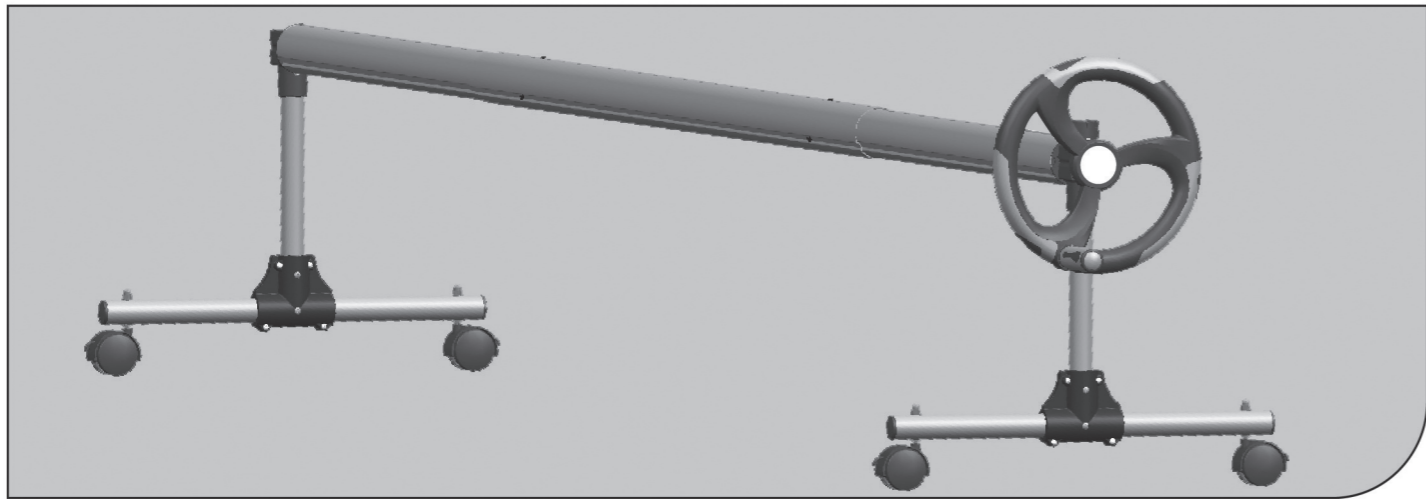
Made in CHINA



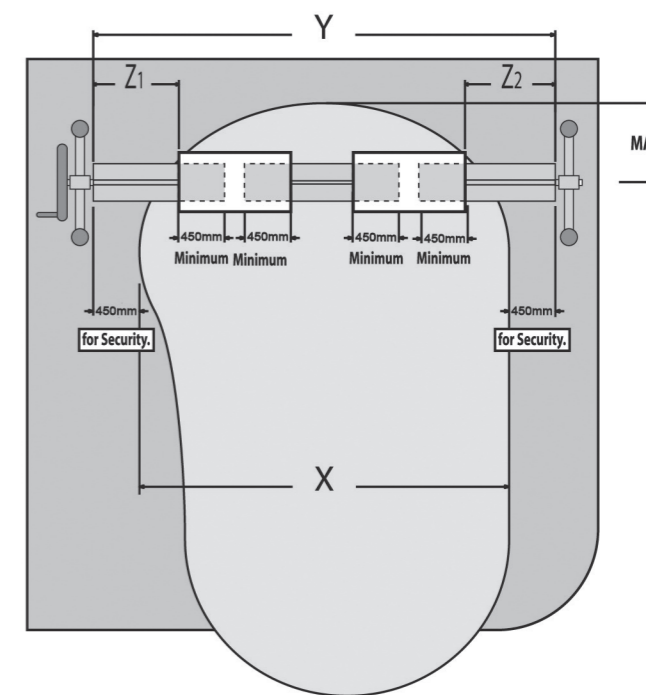
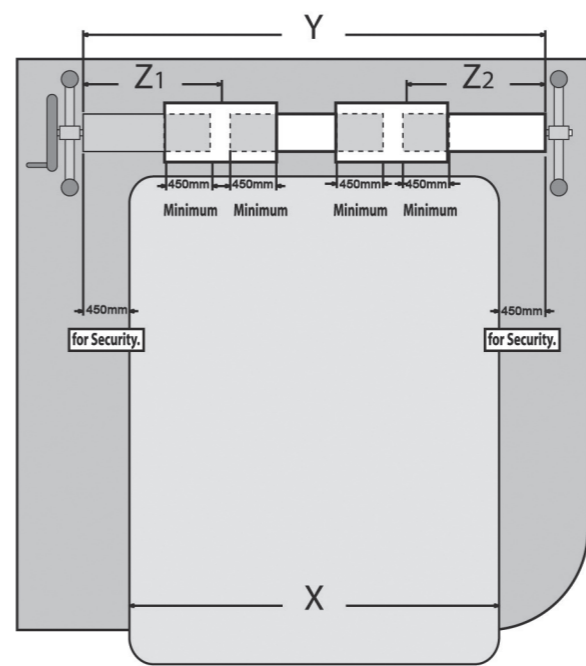
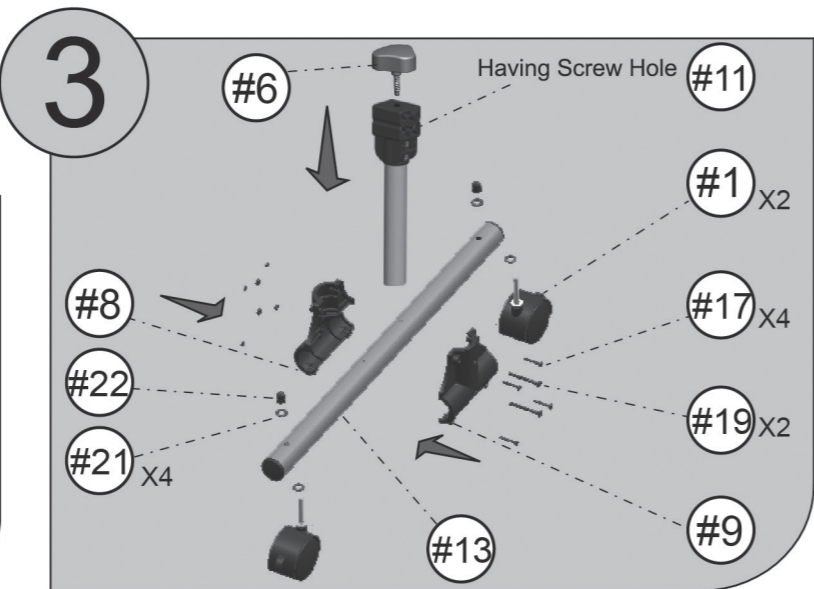
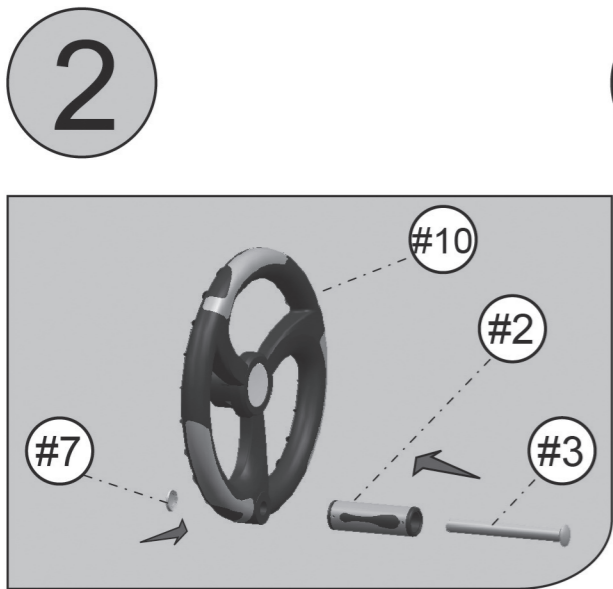
1



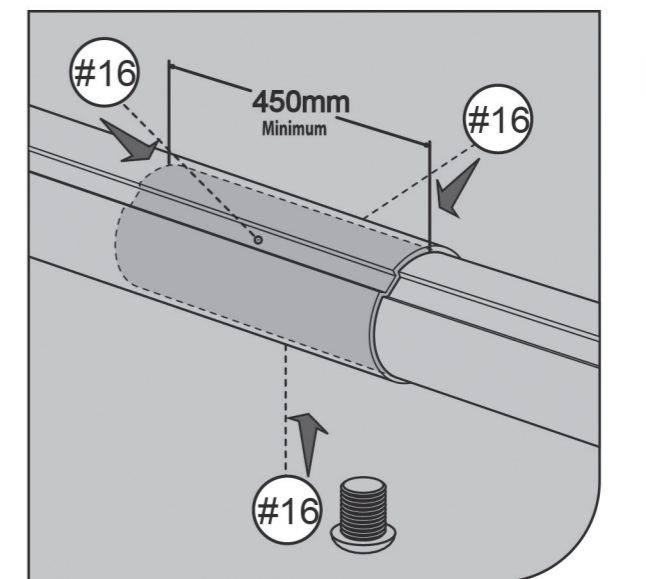
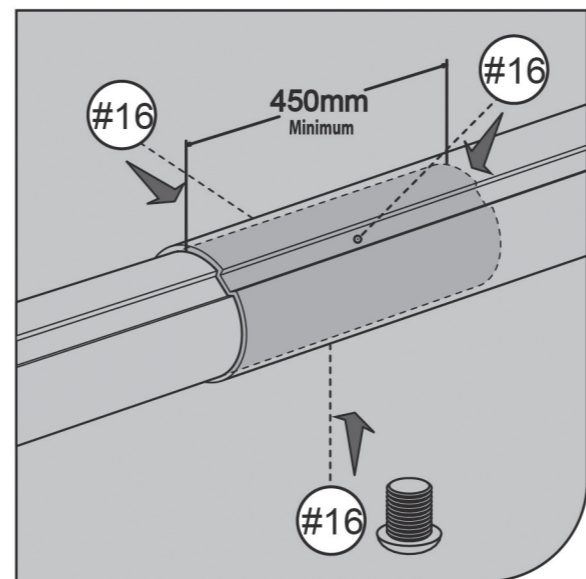
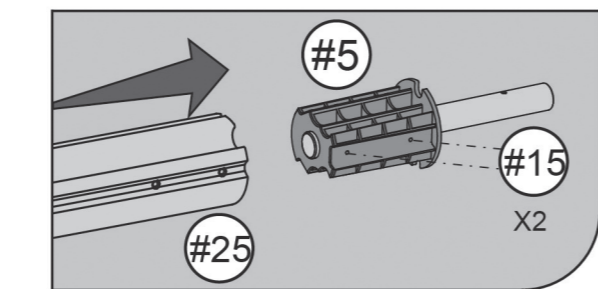
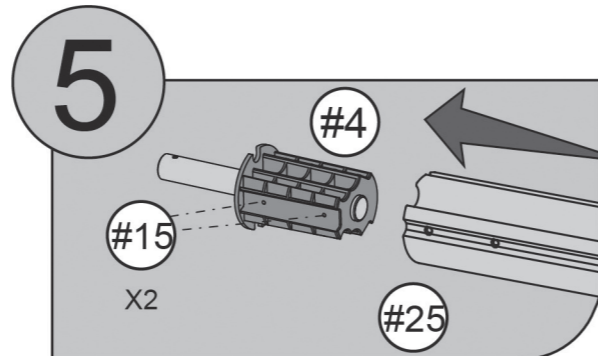
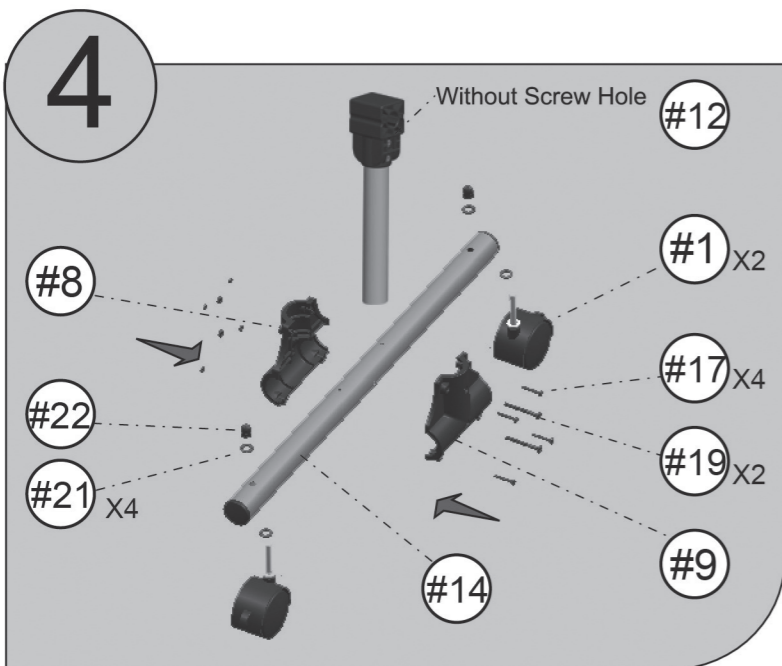
Ref	Name	Qty	Ref	Name	Qty
#1	Universal wheel	4	#14	Near hand wheel holder horizontal pipe	1
#2	Handle	1	#15	GB/T846 ST3.9*9.5	4
#3	Handle spindle	1	#16	GB/T818 M6*6	12
#4	Fixing piece farther hand wheel	1	#17	GB/T818 M4*25	8
#5	Fixing piece near hand wheel	1	#18	GB/T818 M4*28	1
#6	Break knob	1	#19	GB/T818 M5*45	4
#7	Handle cap	1	#20	GB/T818 M6*65	1
#8	Plastic holder A	2	#21	Small washer	8
#9	Plastic holder B	2	#22	Cover nut	4
#10	Hand wheel	1	#23	Big washer	1
#11	Farther hand wheel holder standpipe	1	#24	Elastic strap	8
#12	Near hand wheel holder standpipe	1	#25	Inner alu. Pole	3
#13	Farther hand wheel holder	1	#26	Outer alu. Pole	2



6



7



8