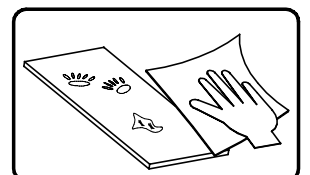
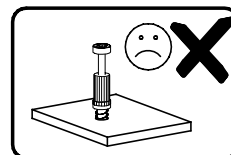
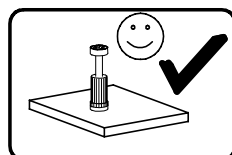
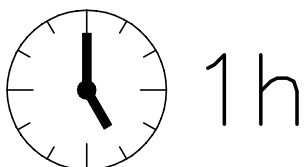
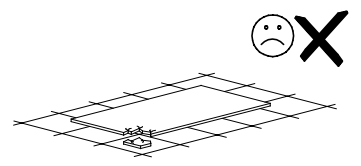
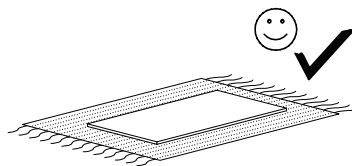
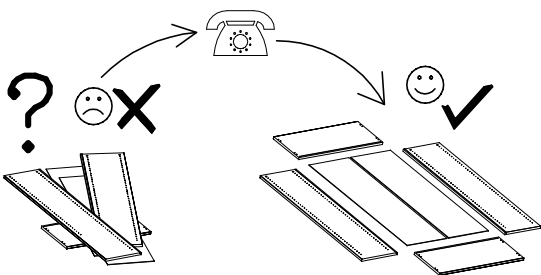
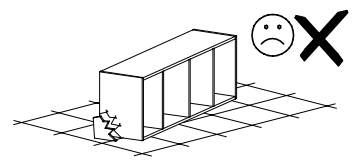
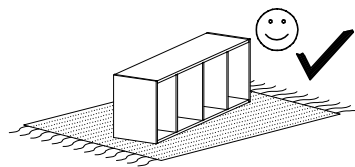
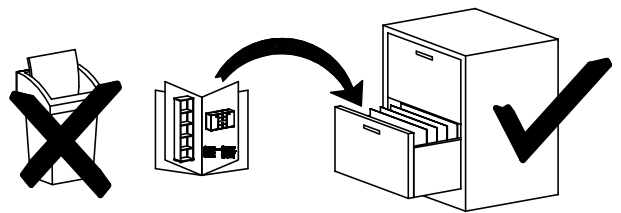
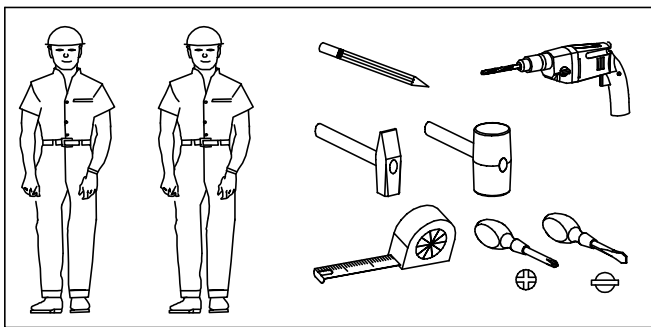
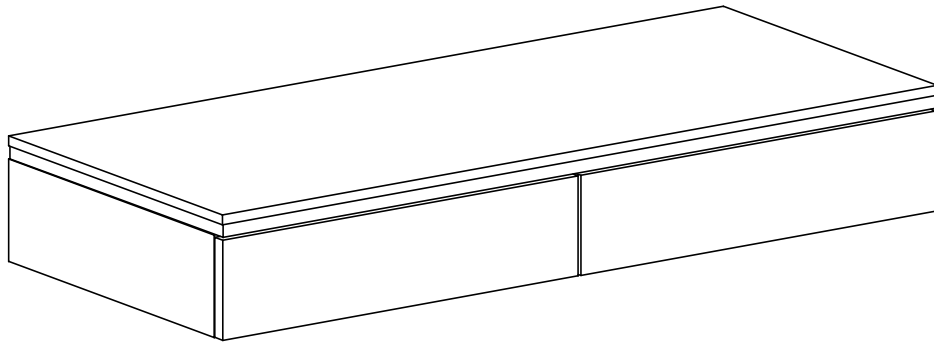
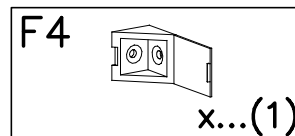
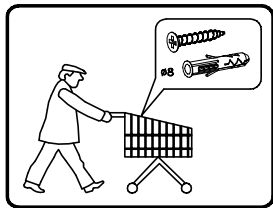
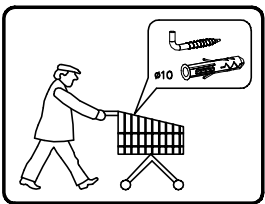
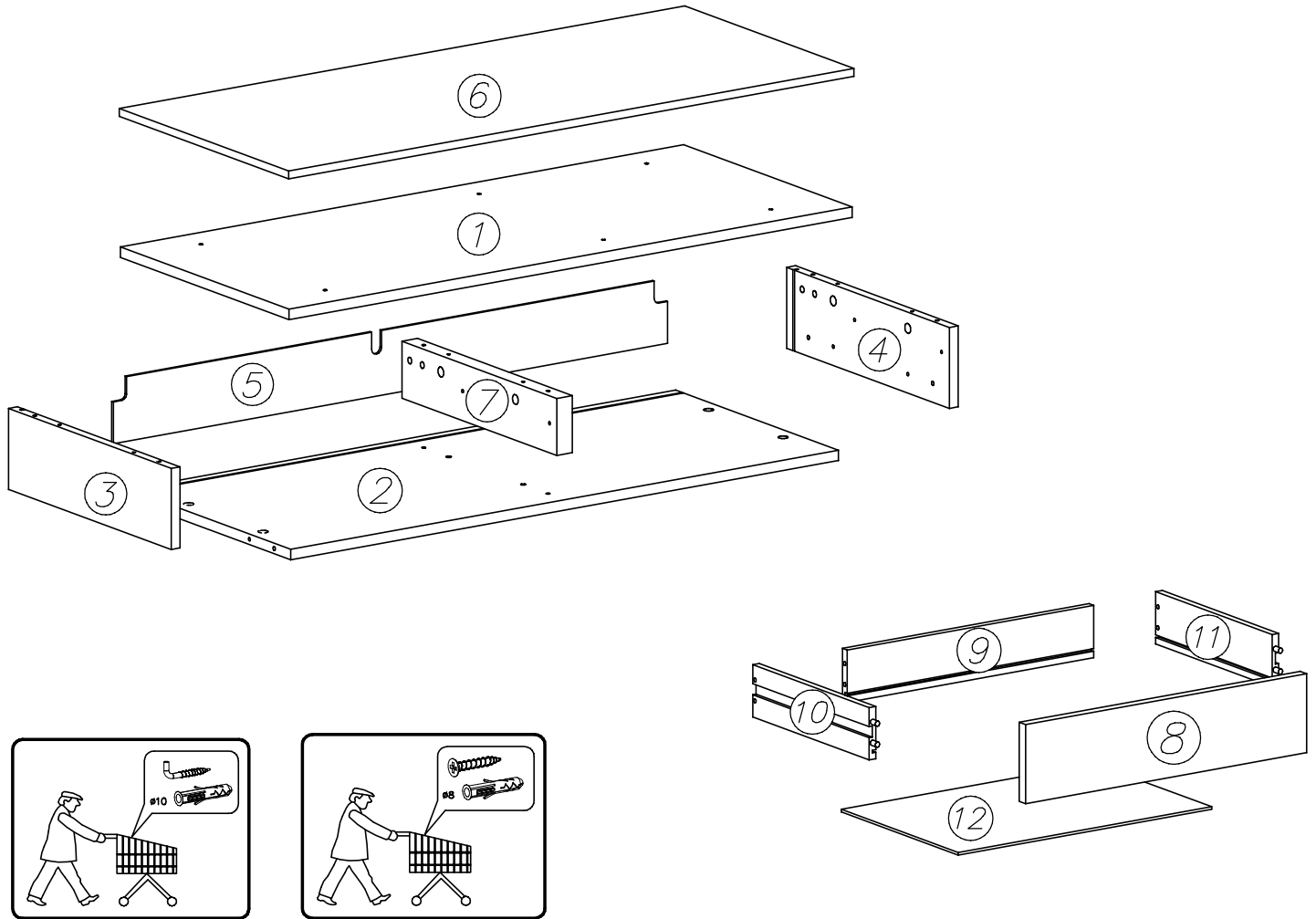
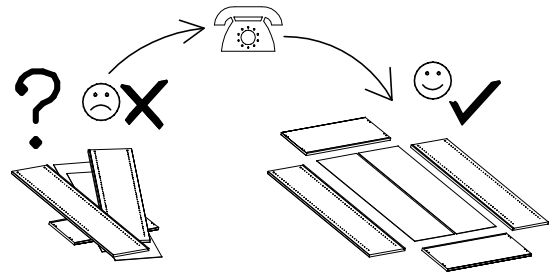
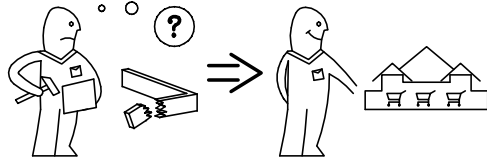
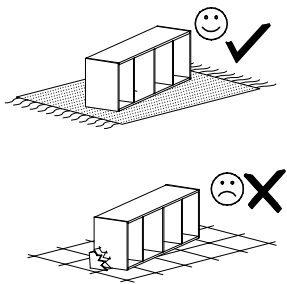


AURORA toaletka



AURORA toaletka



G34
3,5x16 x...(1)

A1
Ø7x50 x...(2)

U9L
x...(1)

U9R
x...(2)

H3
280mm x...(4)

K14
Ø15x19 x...(2)

K1
Ø15x12 x...(8)

G55
6x22 x...(6)

N1
M4x9 x...(4)

I1
x...(4)

W1
GLUE, LEIM, LEPIDLO, LIM x...(1)

K10
x...(10)

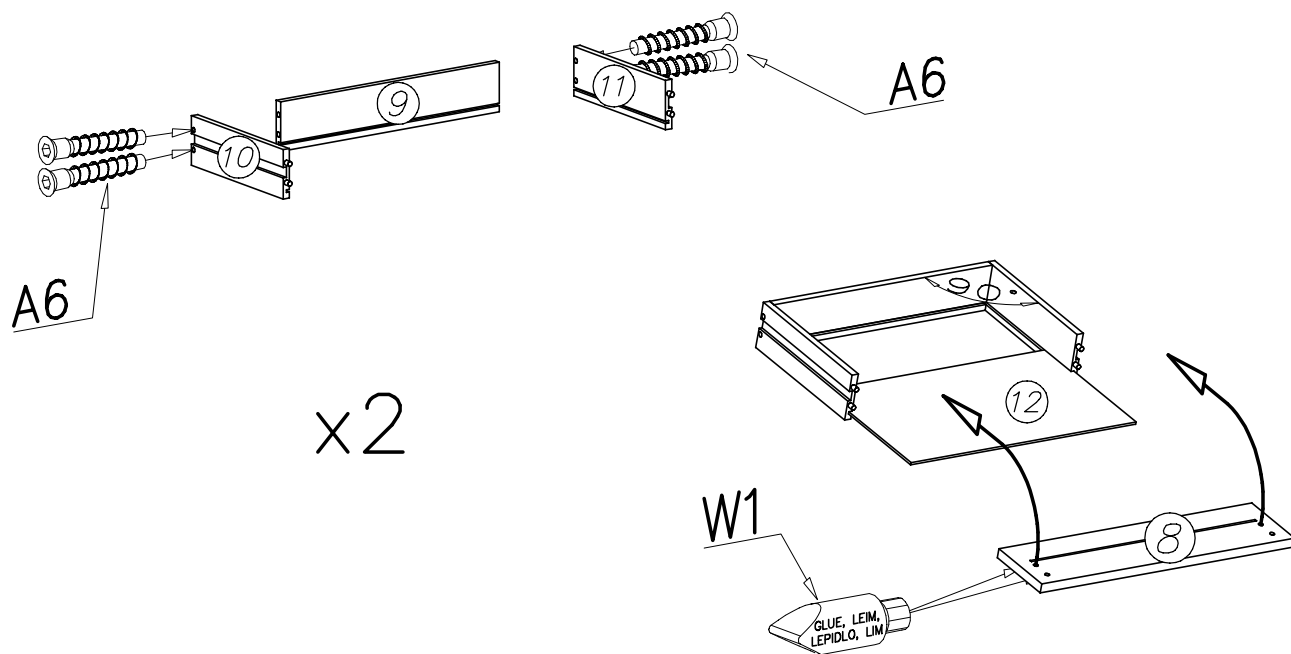
G50
6x13 x...(8)

W2
x...(1)

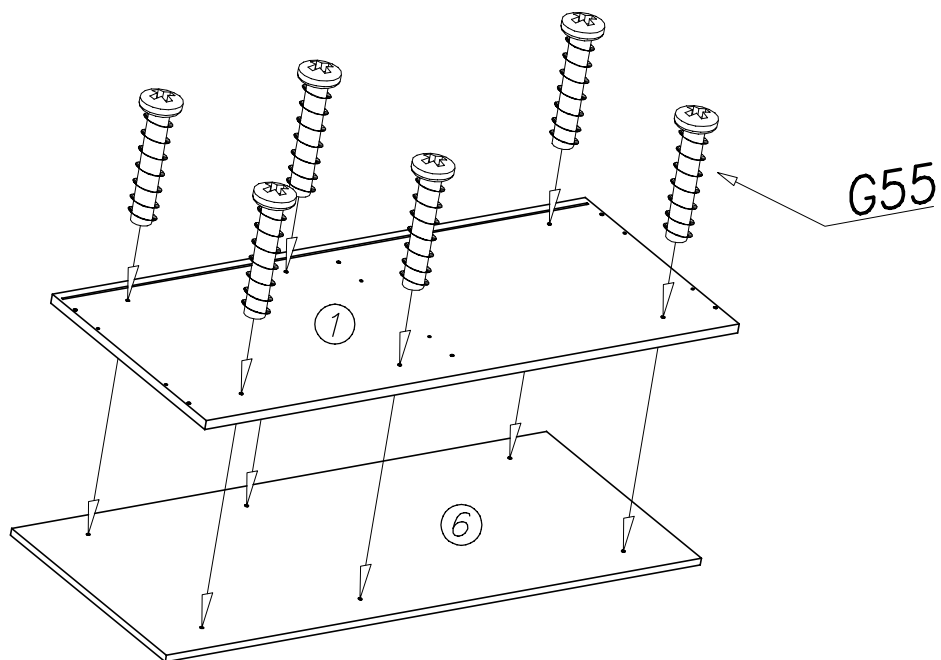
A6
Ø7x40 x...(8)

B2
Ø6x35 x...(12)

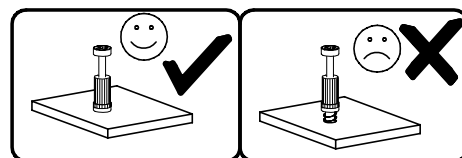
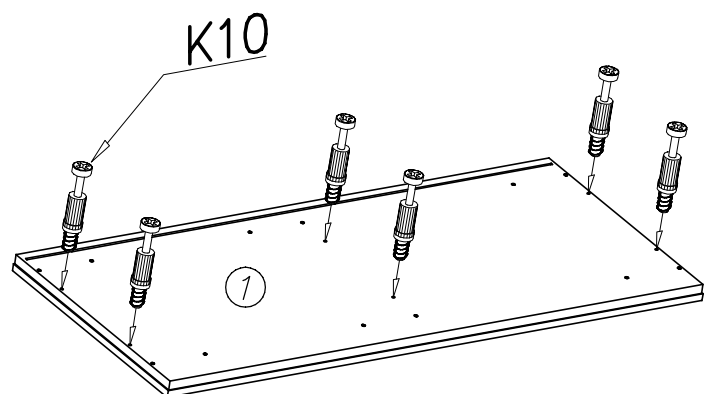
I



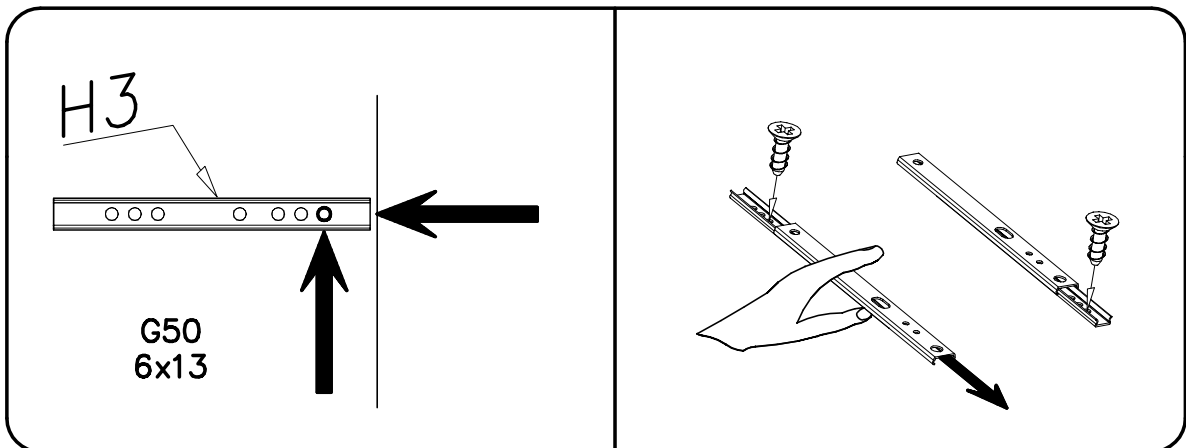
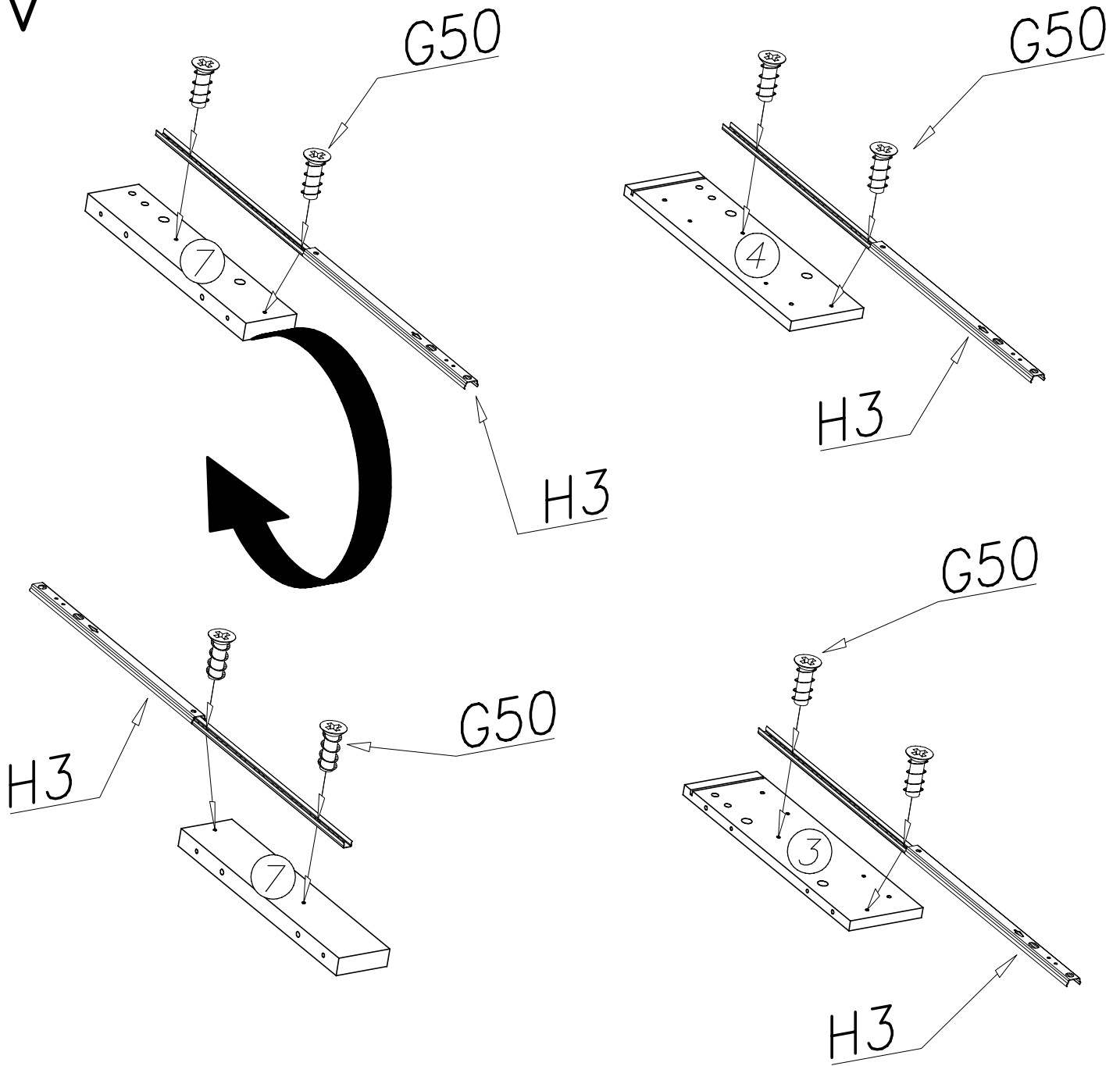
II



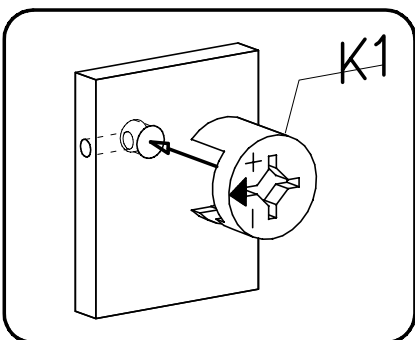
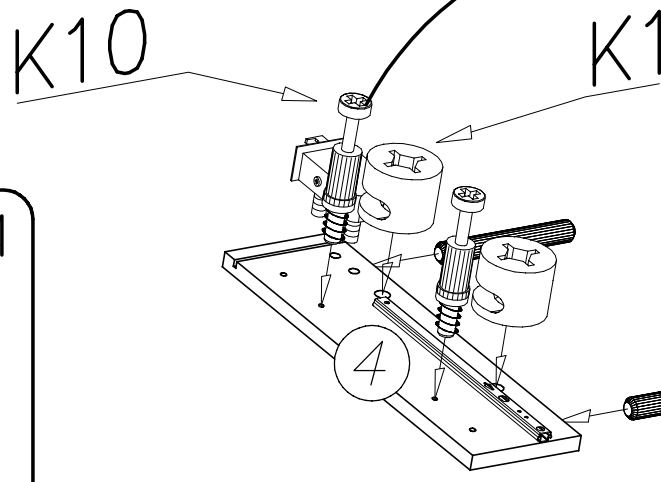
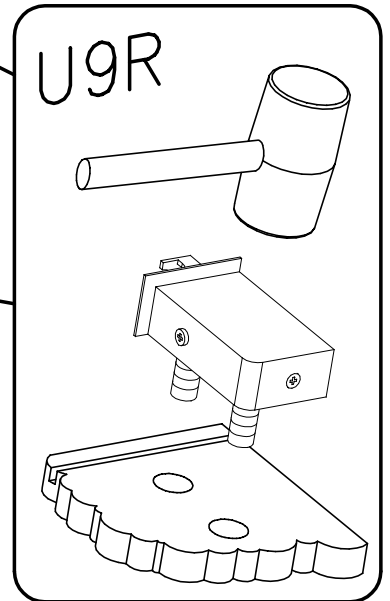
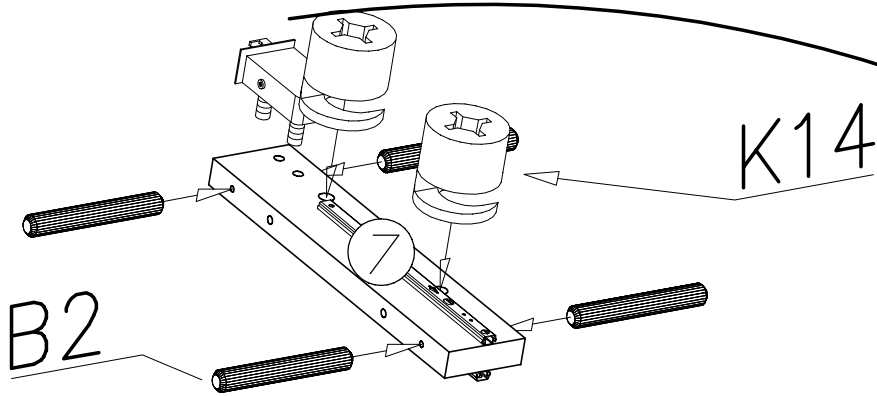
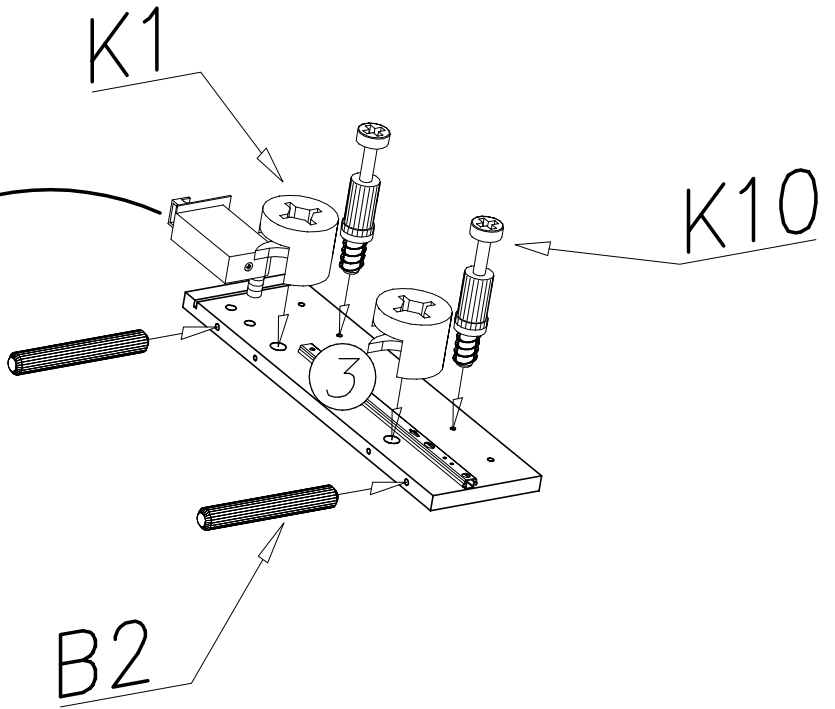
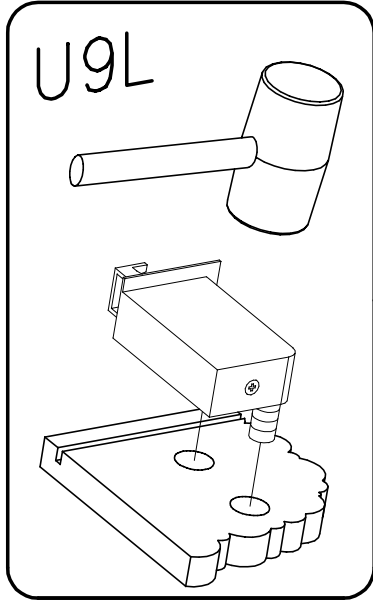
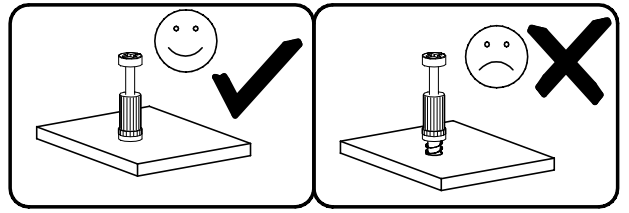
III



IV

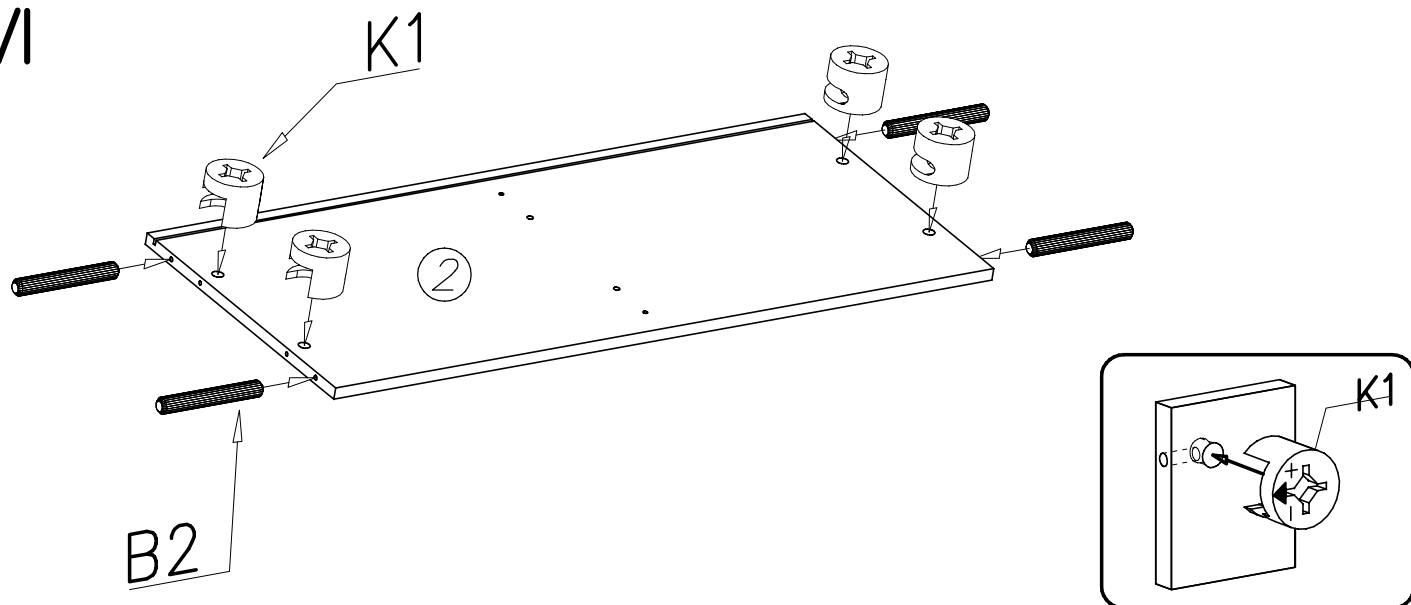


V

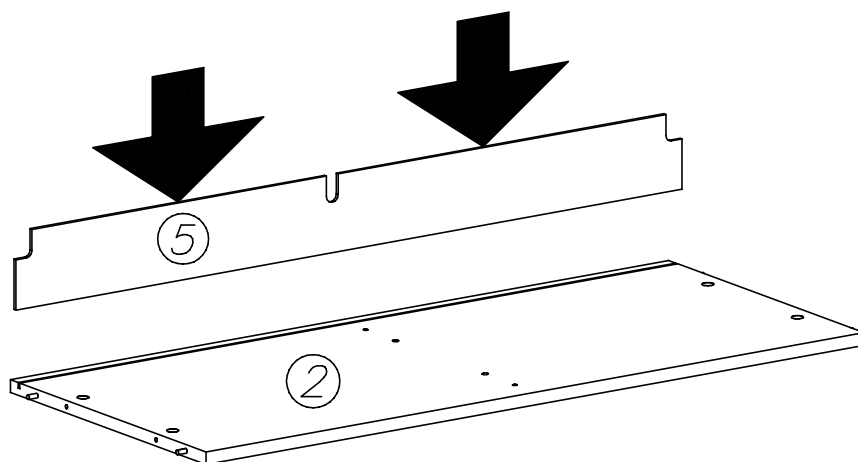


B2

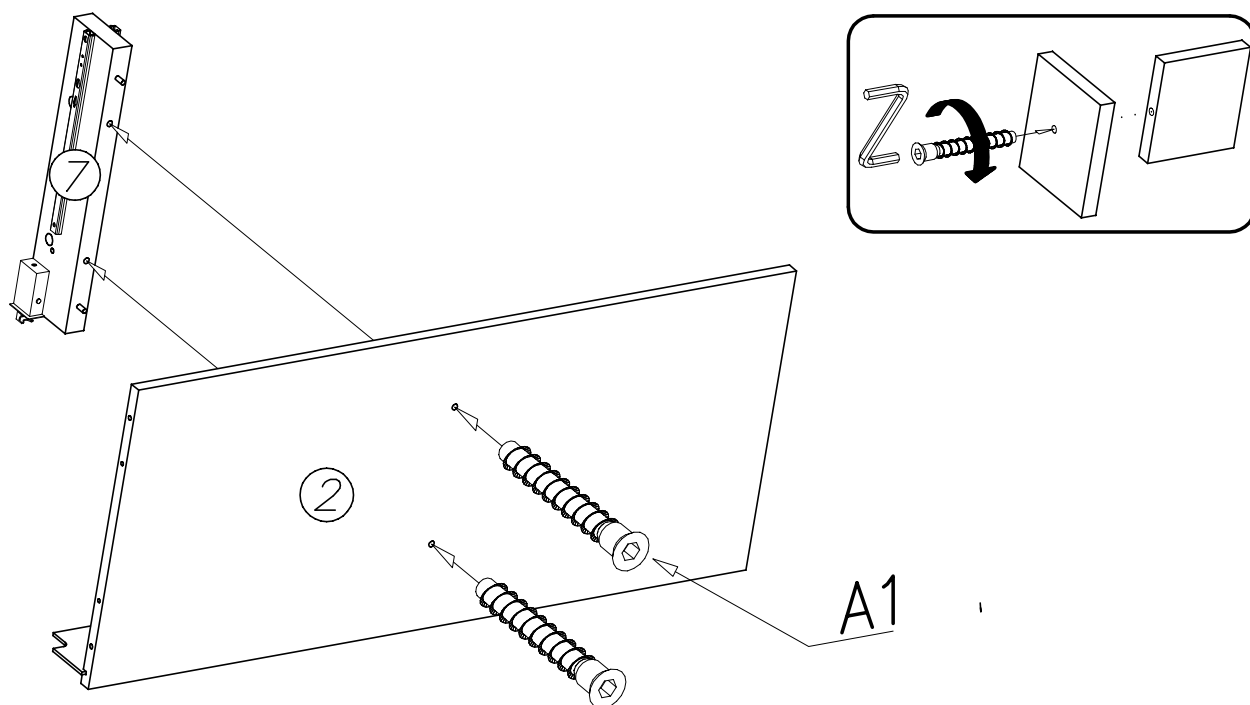
VI



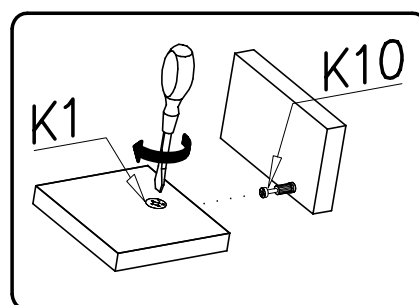
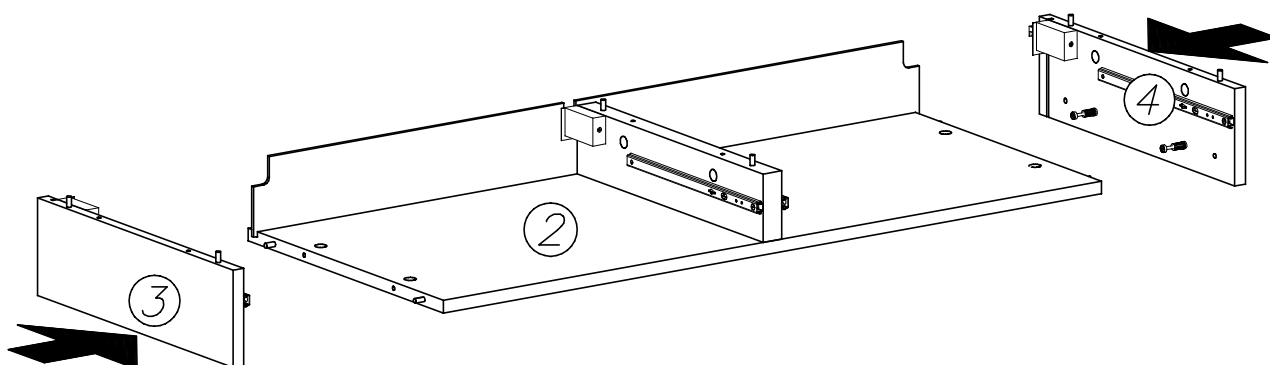
VII



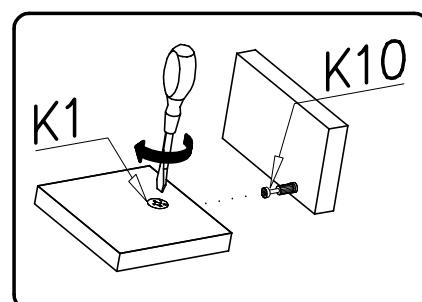
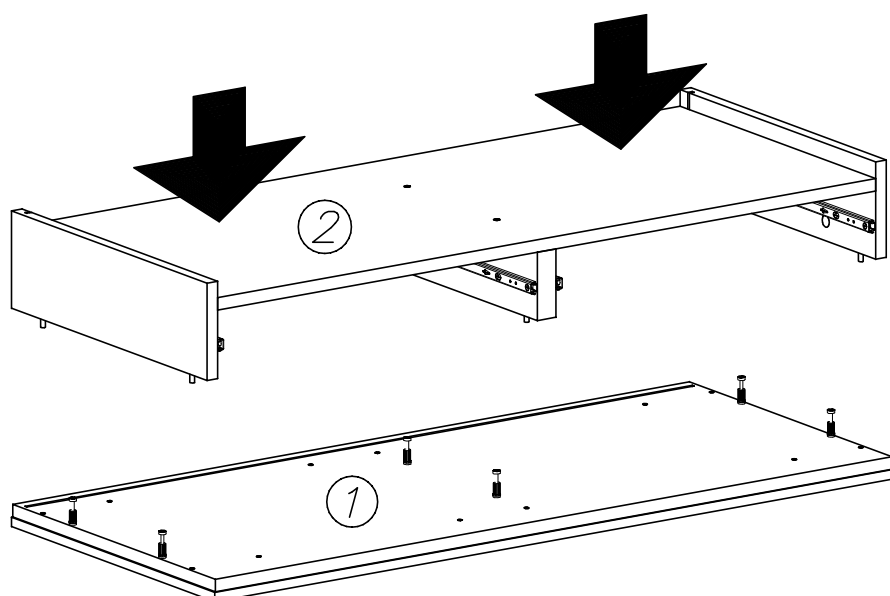
VIII



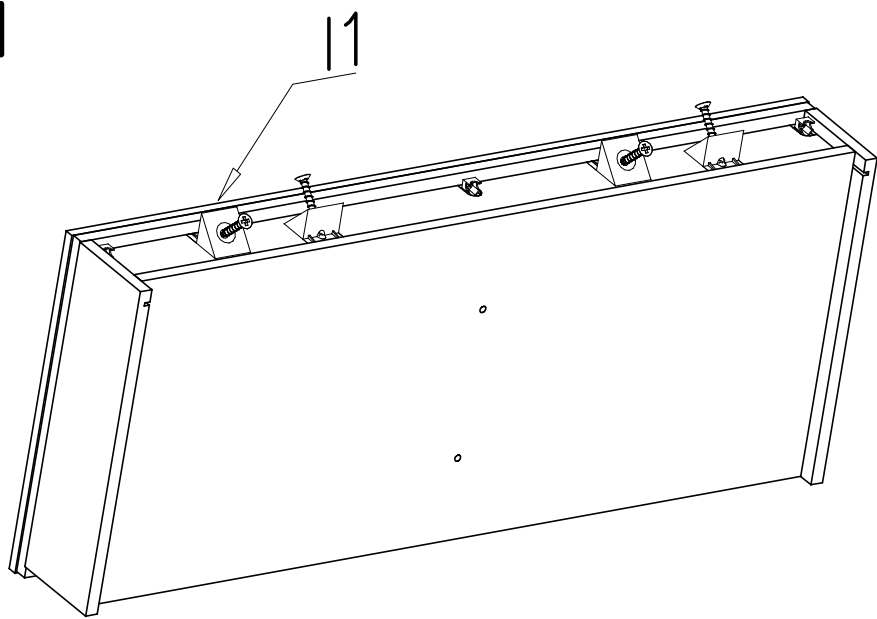
IX



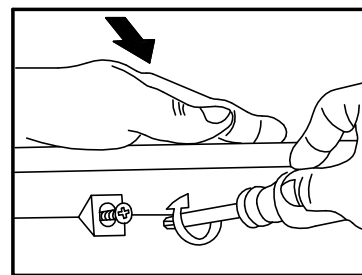
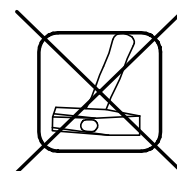
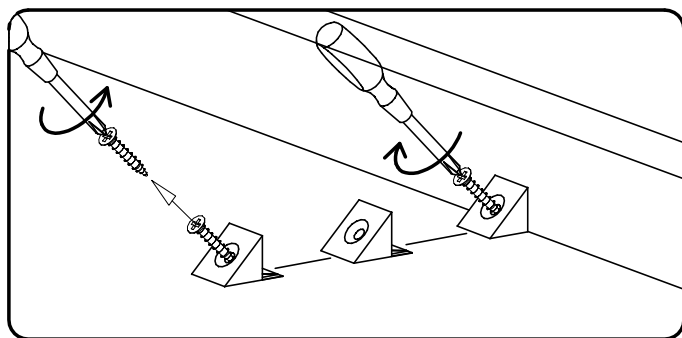
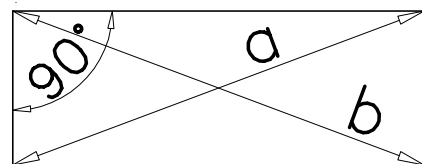
X



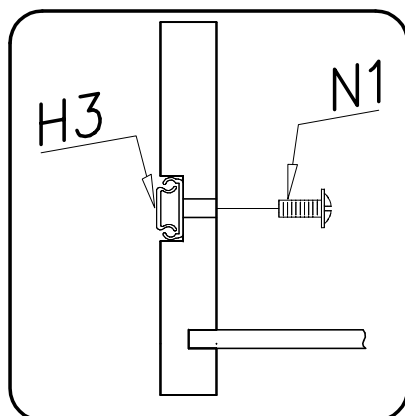
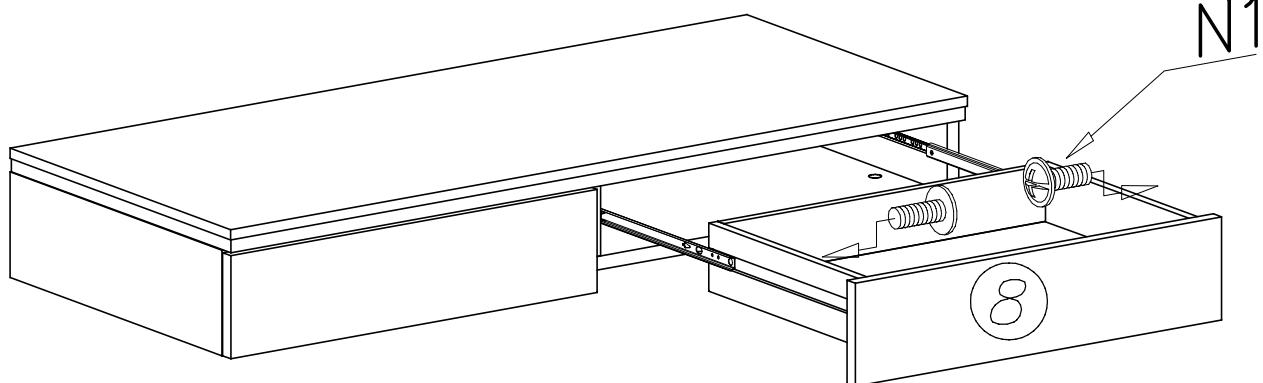
XI



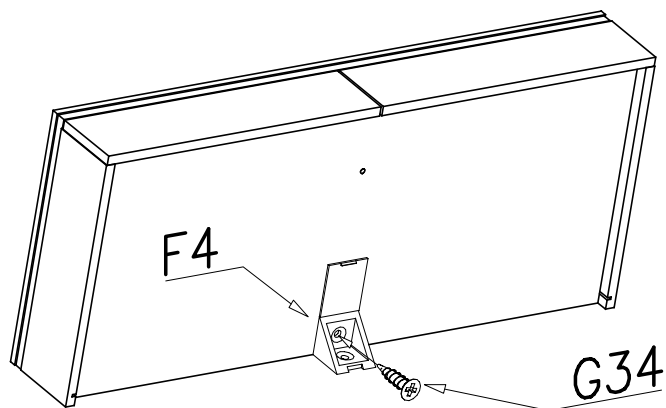
$a=b$



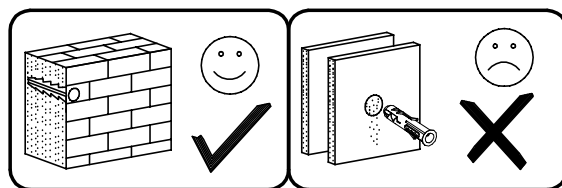
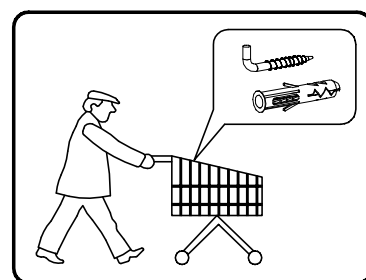
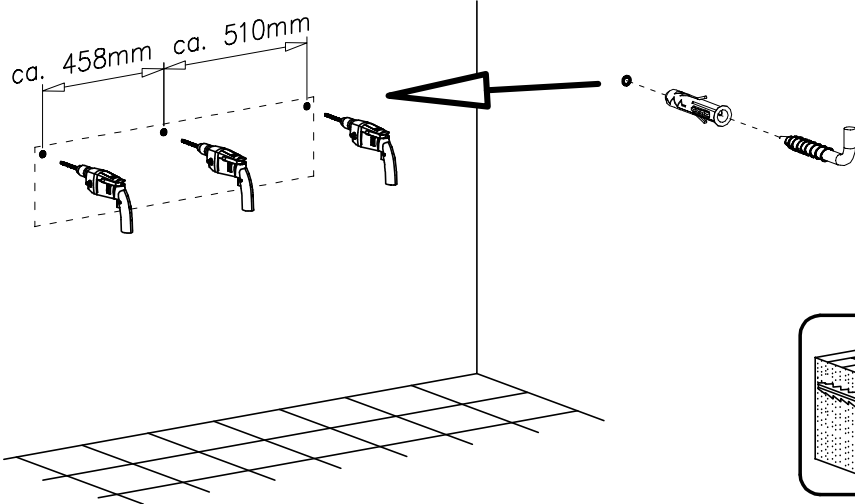
XII



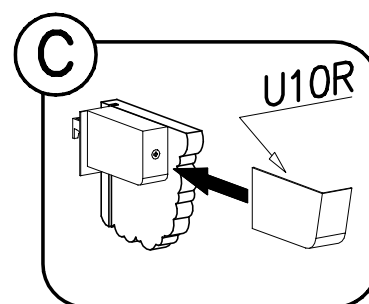
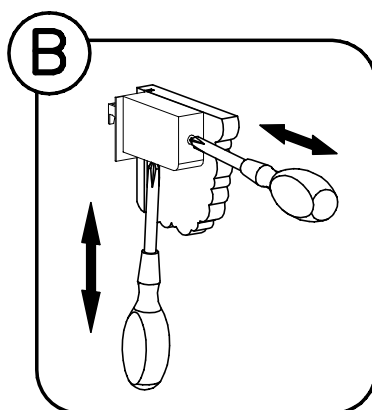
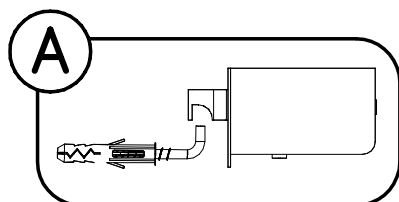
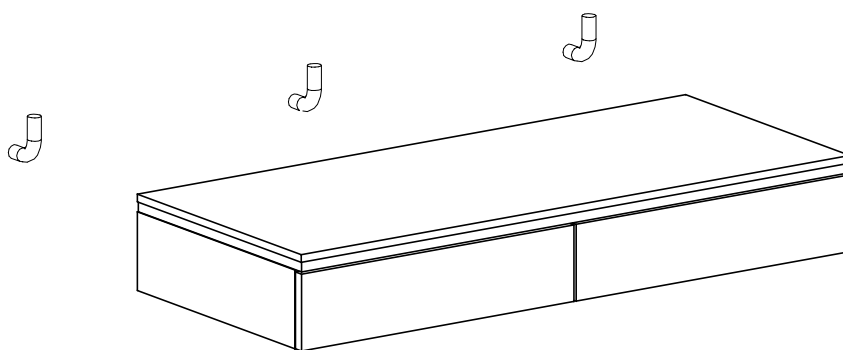
XIII



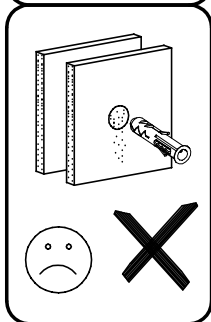
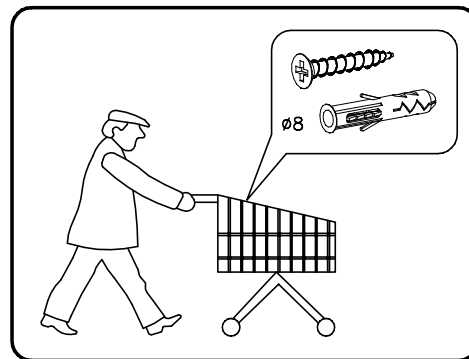
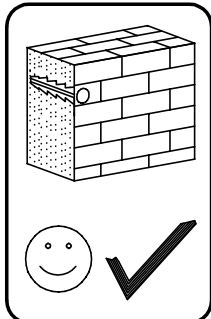
XIV



XV

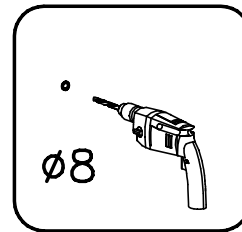
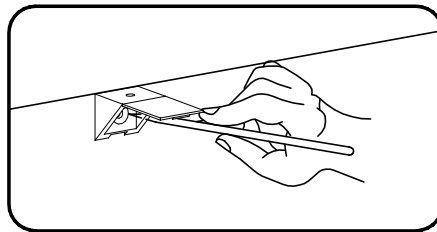


XVI



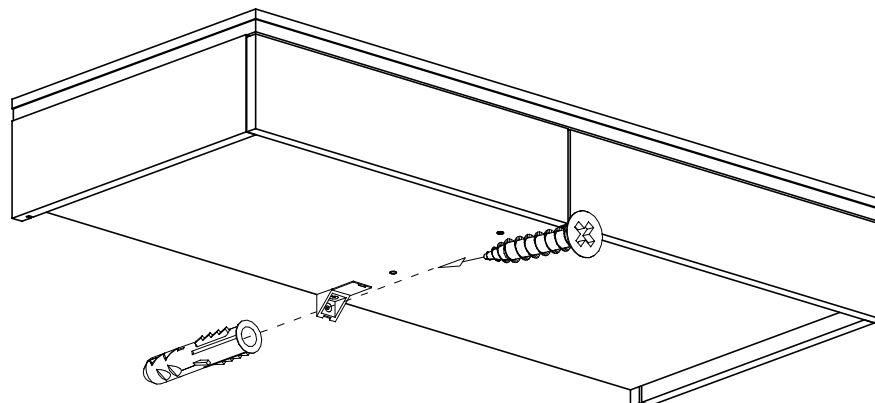
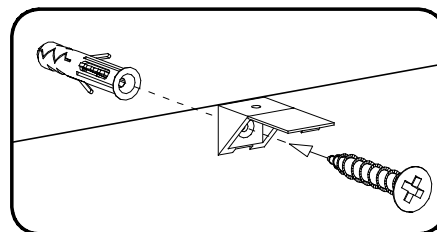
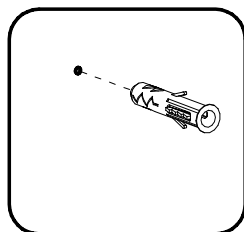
1

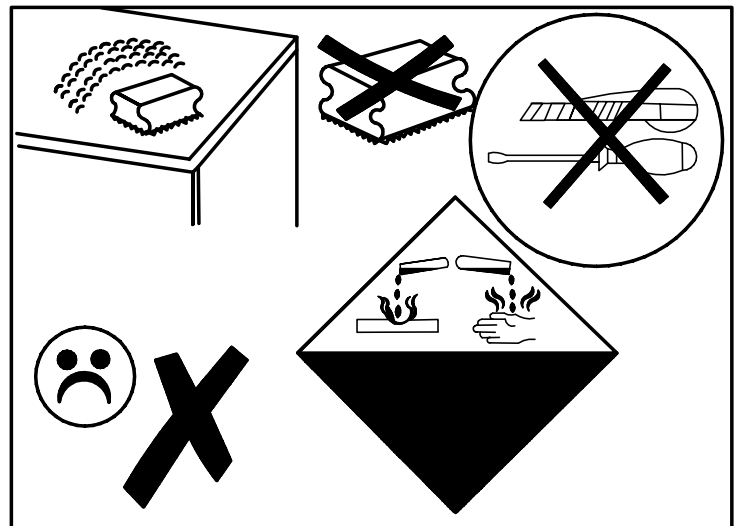
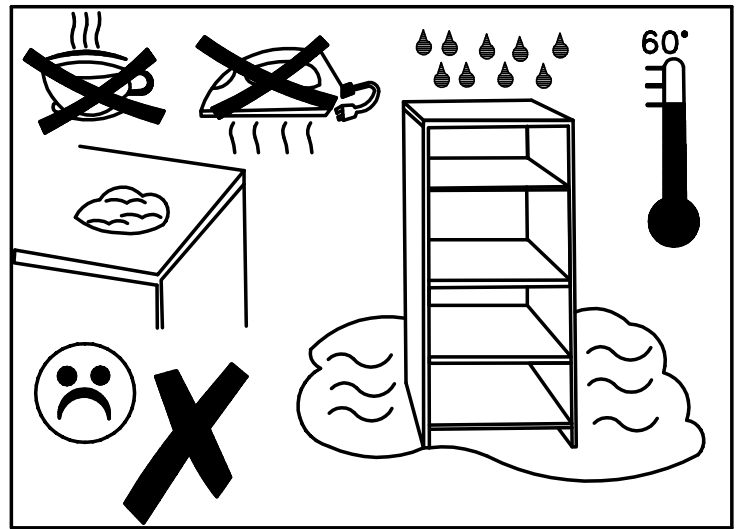
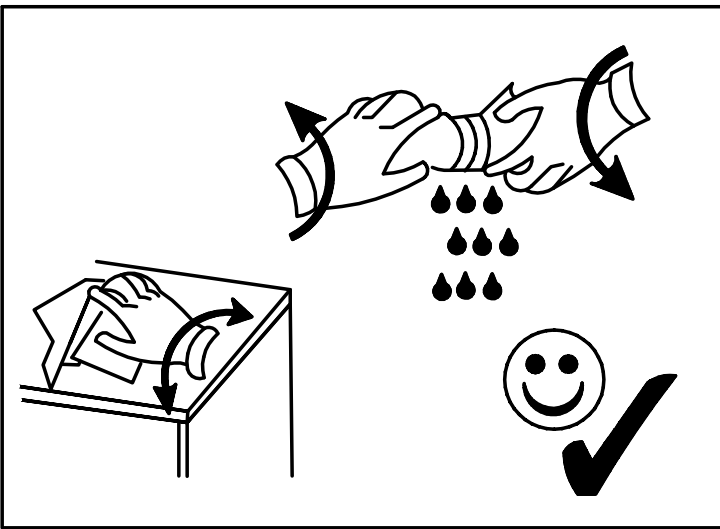
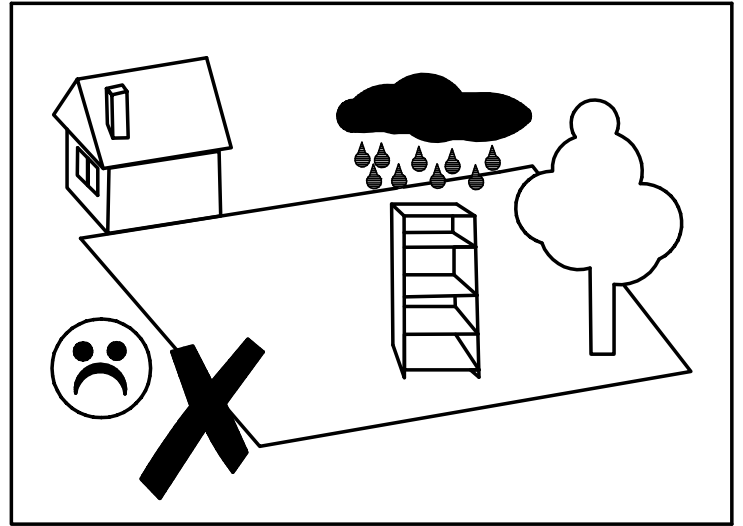
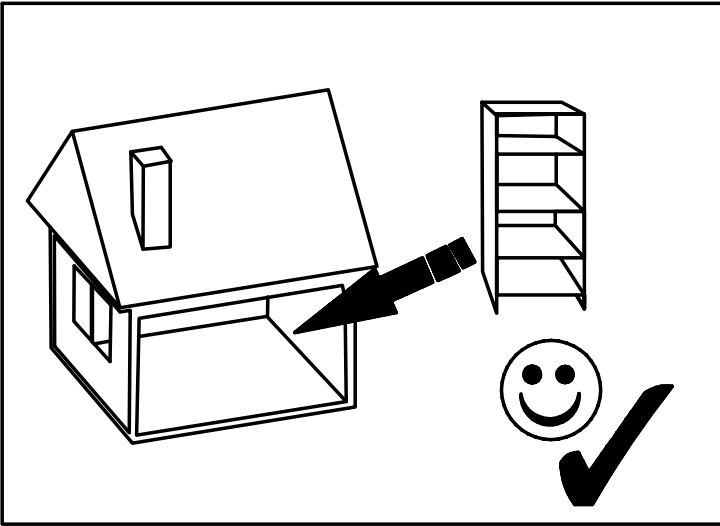
2



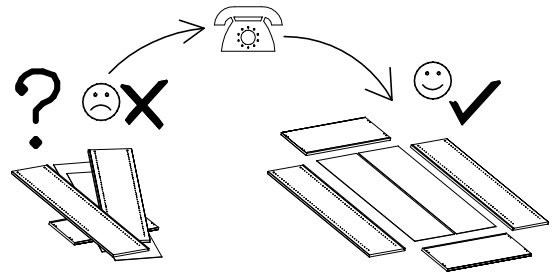
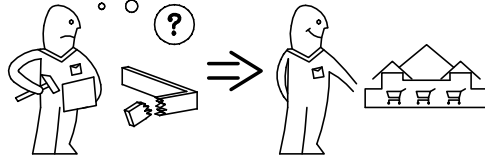
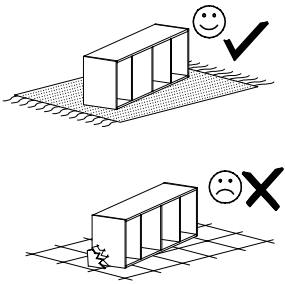
3

4

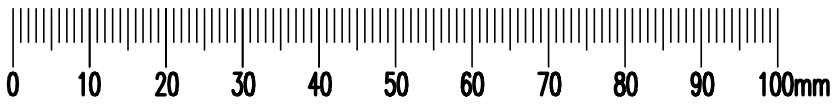
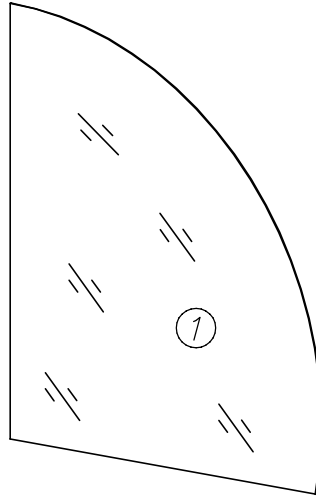


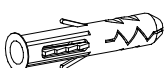



QUINNIE P

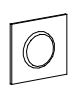



nr	L[mm]	B[mm]	T[mm]	Menge	Colli
1	920	770	19	1	1/2

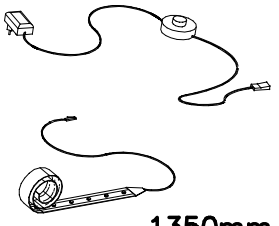


U8 
 ø10x60 x...(2)

U7S 
 x...(2)

W4 
 x...(2)

G46 
 6x8 x...(4)

W10 
 1350mm
 x...(1)



I

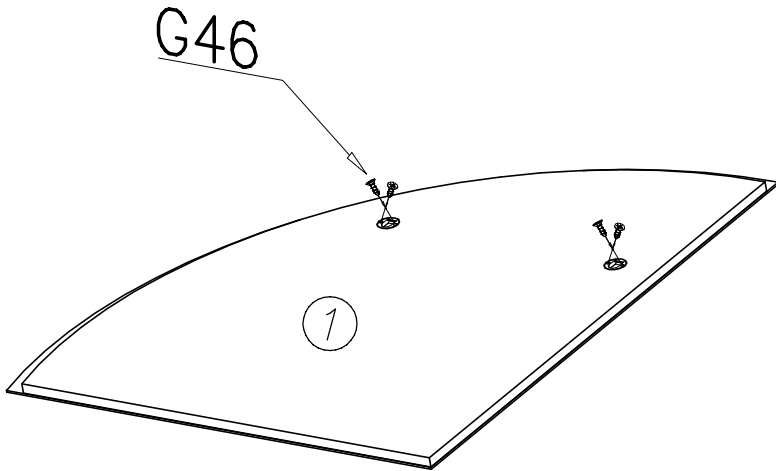
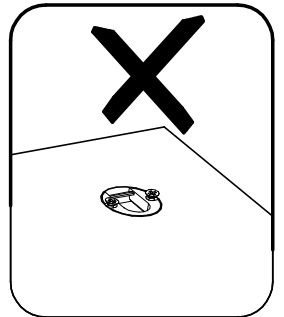
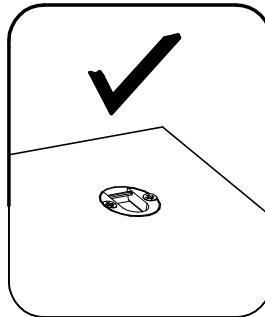
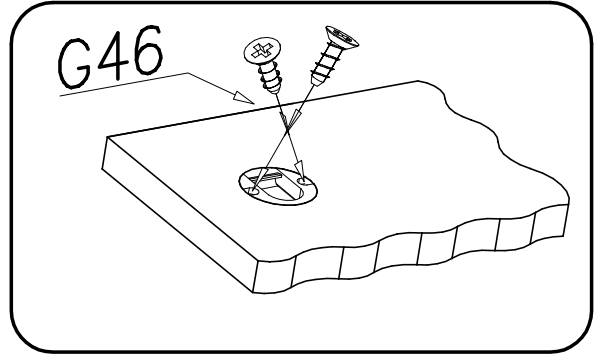


G46



6x8

x...(4)

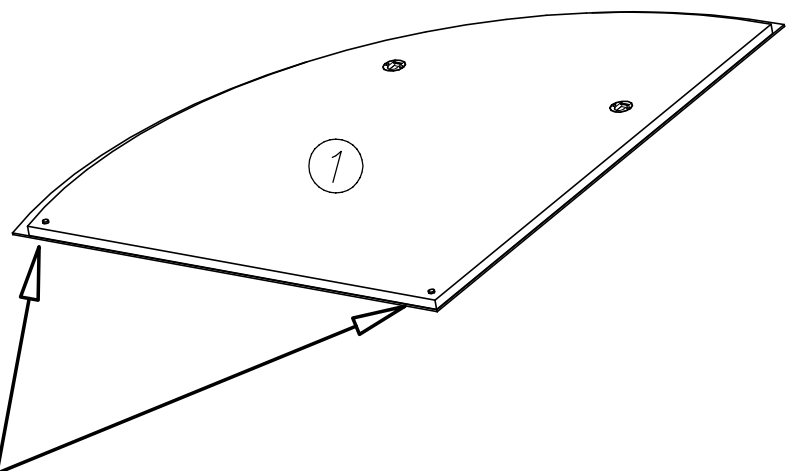
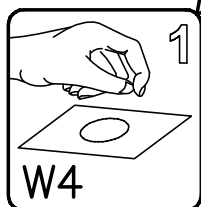
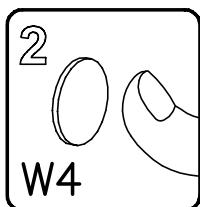


II

W4

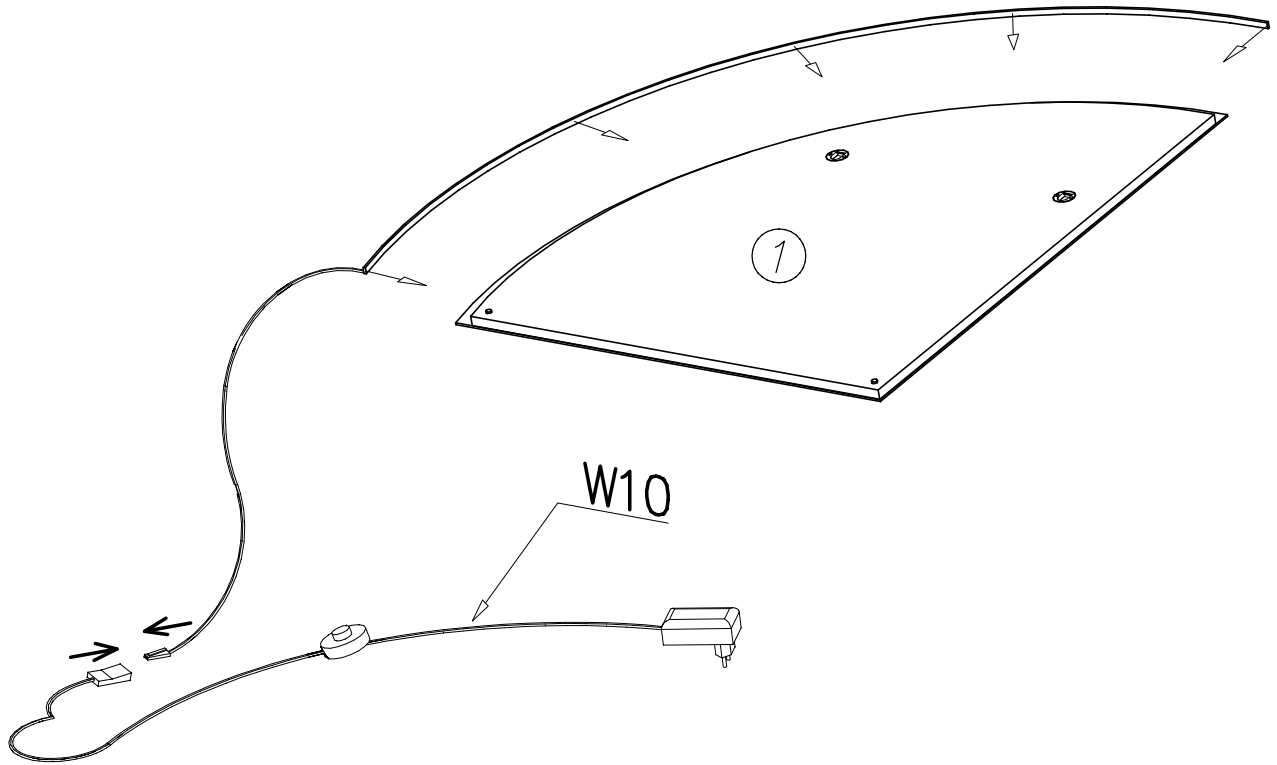
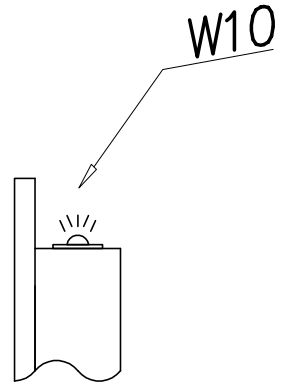
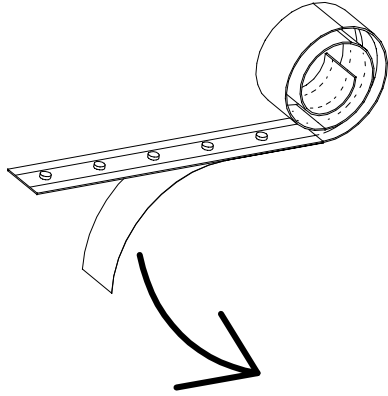


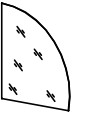
2x



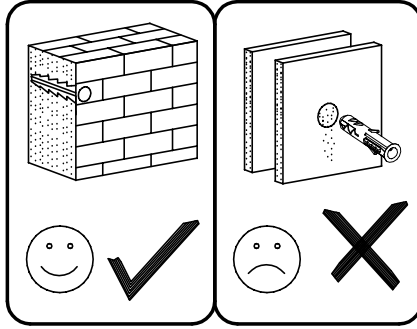


III

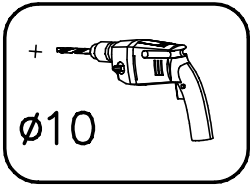




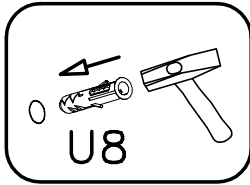
IV



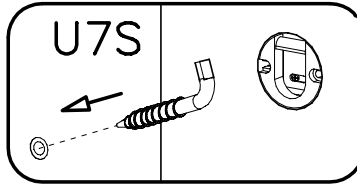
1



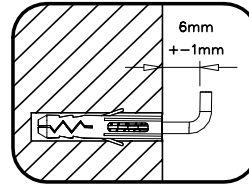
2



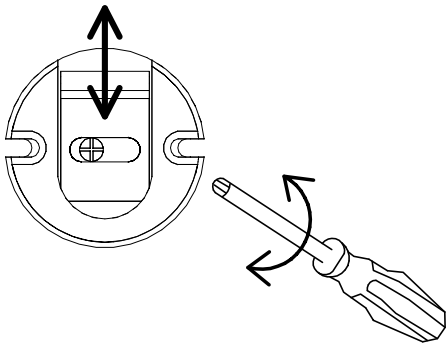
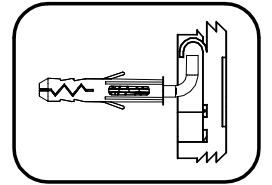
3



4



5



A = A

