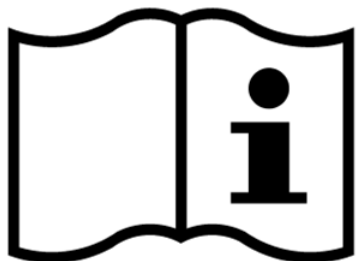
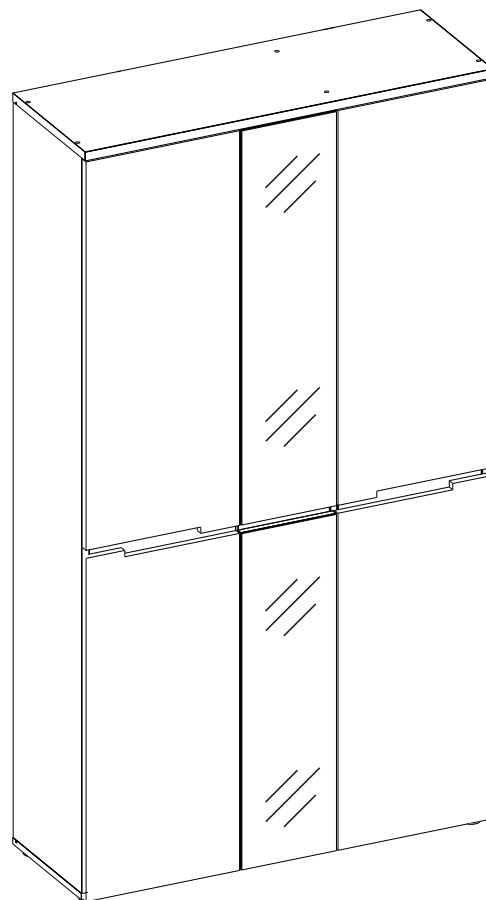
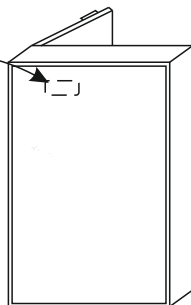
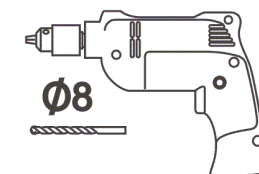
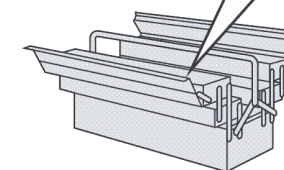
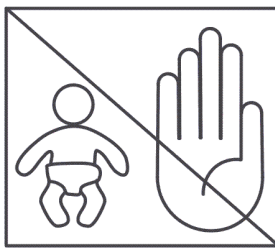
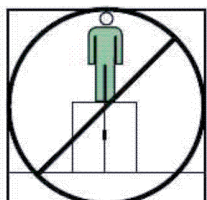
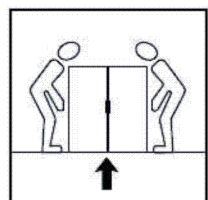
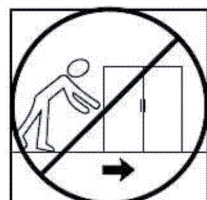
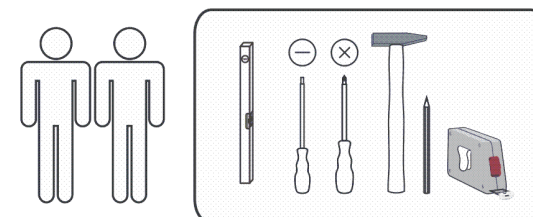
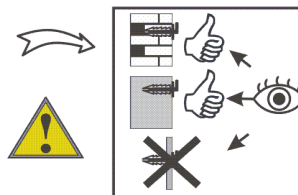
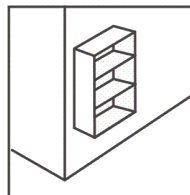
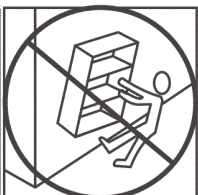
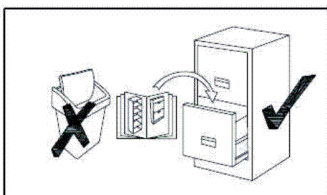
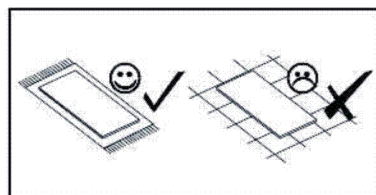
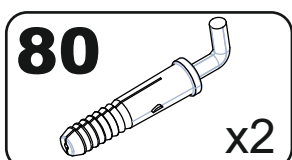
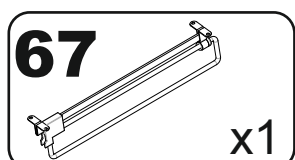
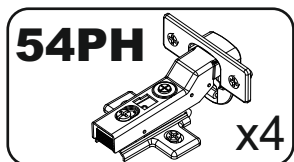
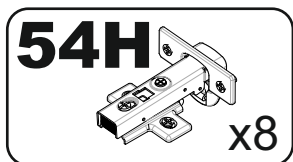
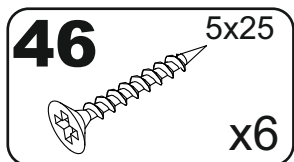
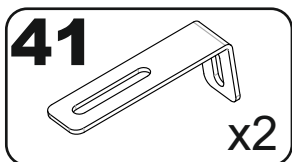
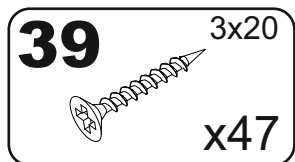
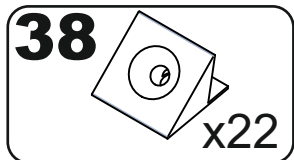
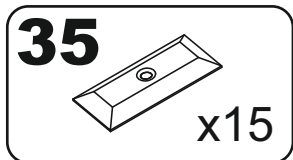
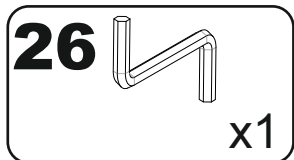
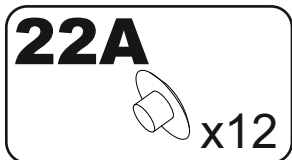
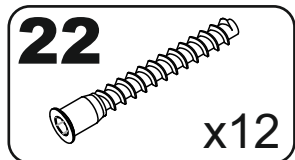
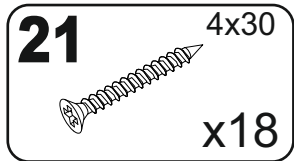
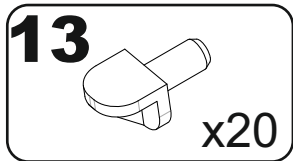
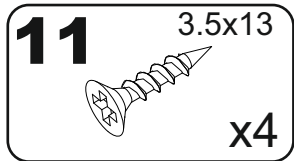
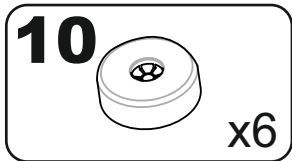
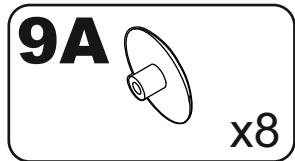
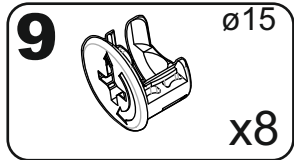
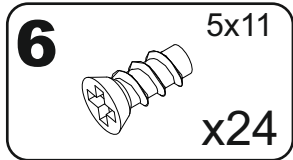
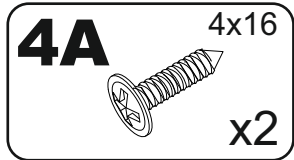
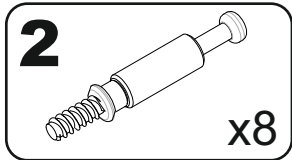
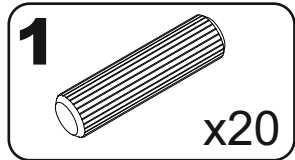
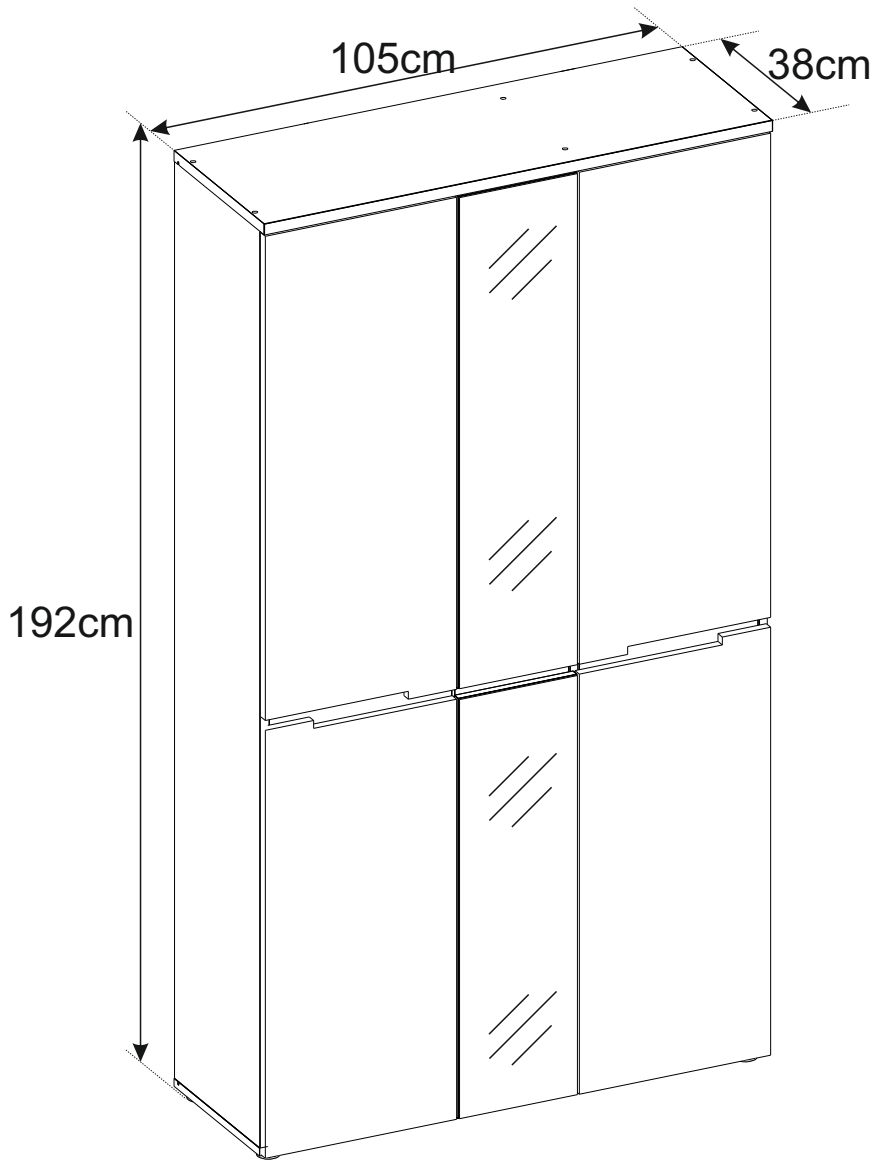
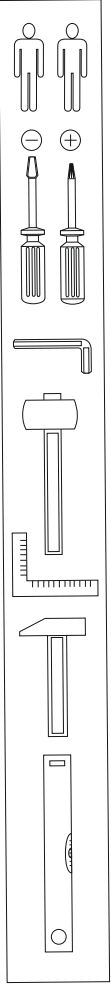


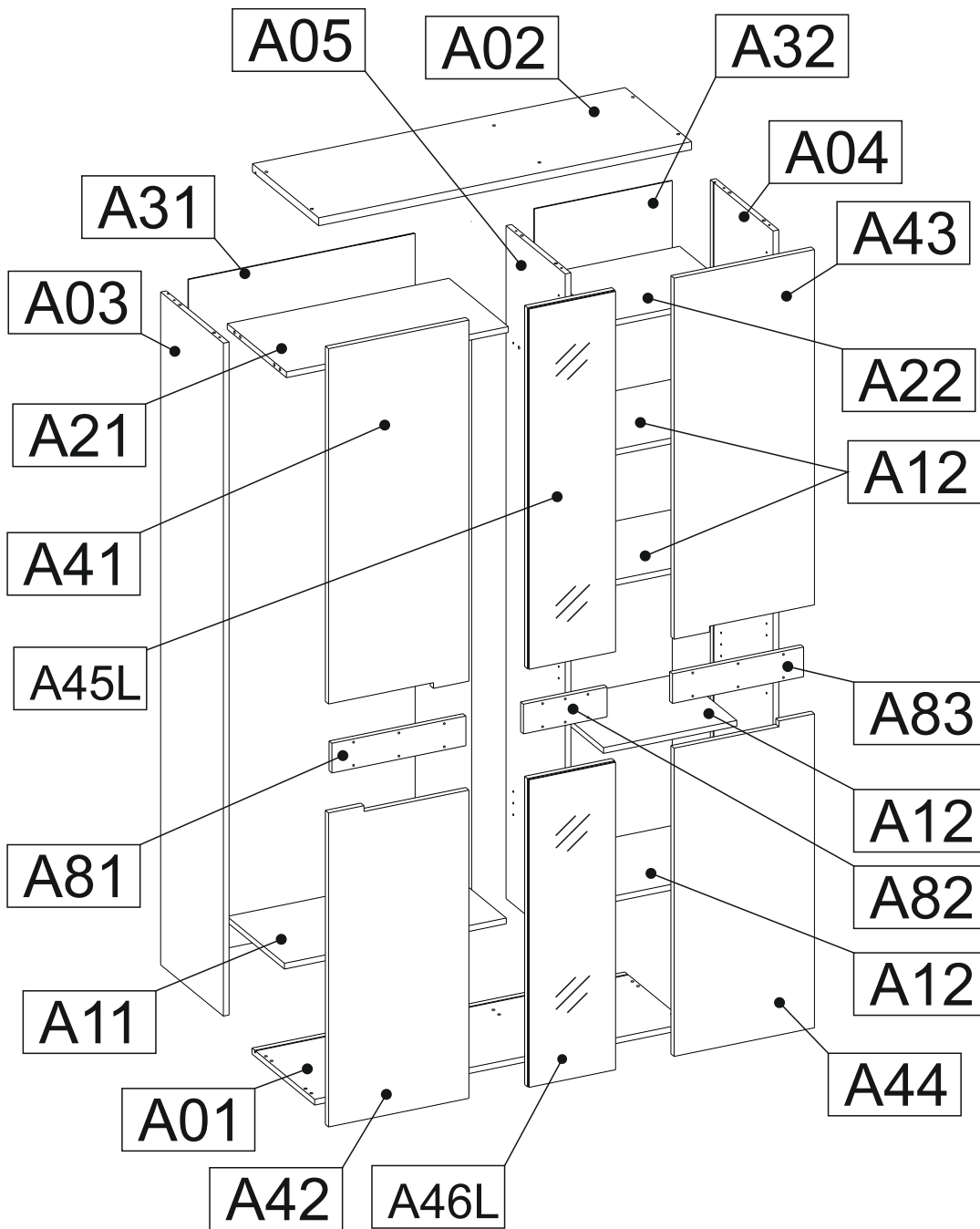
XXXXXXXXXX
..... serie: xxx
.....
Hergestellt für:
.....
.....



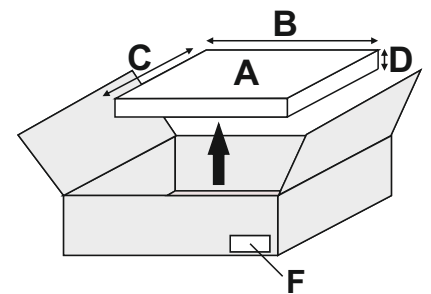
180 min



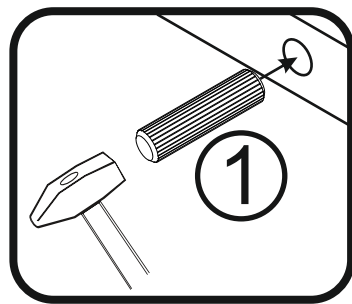
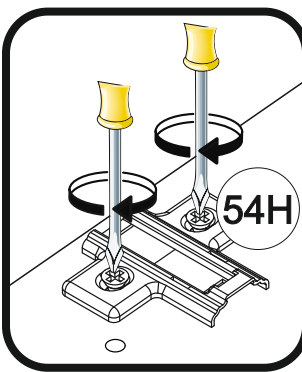
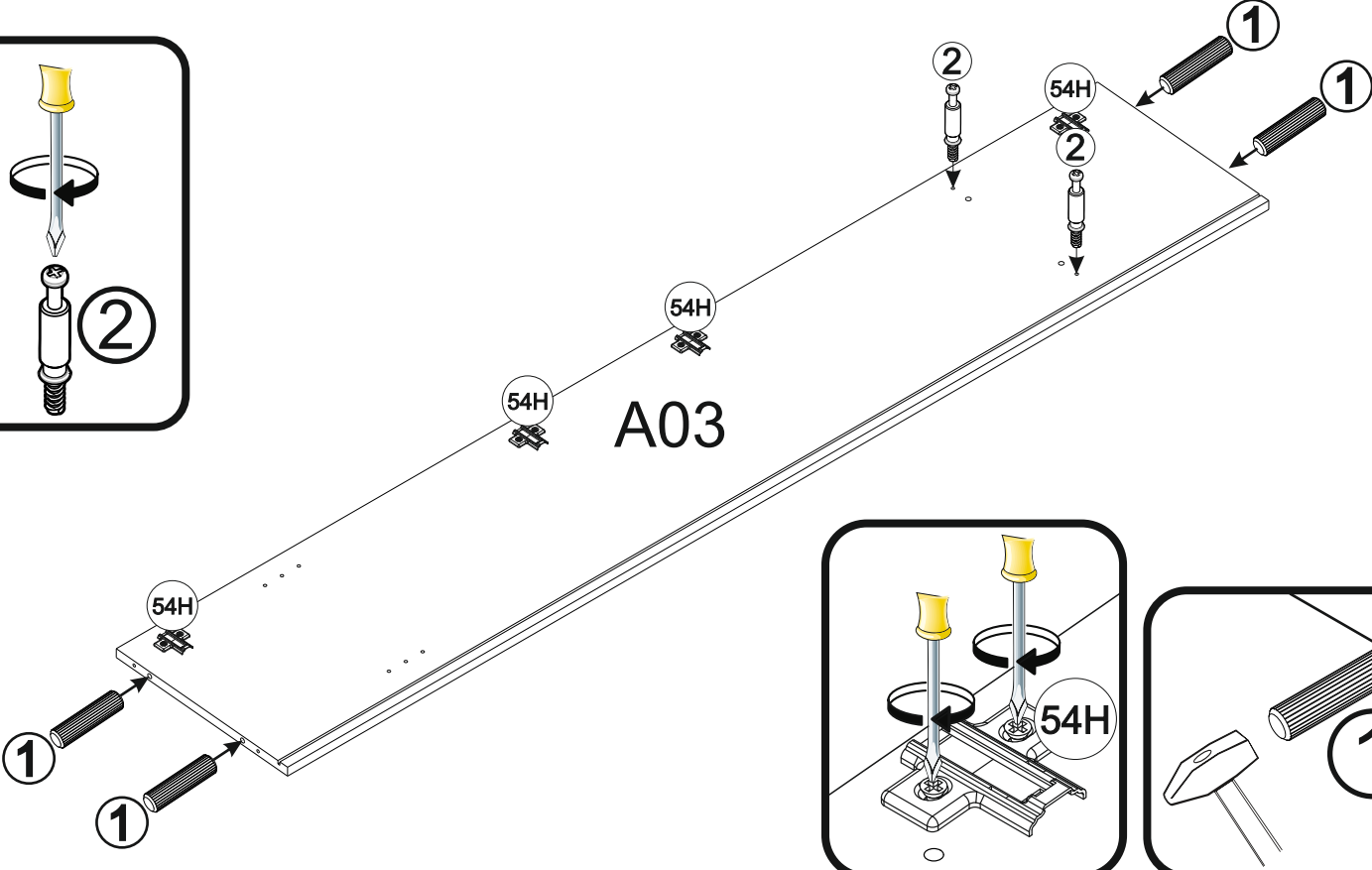
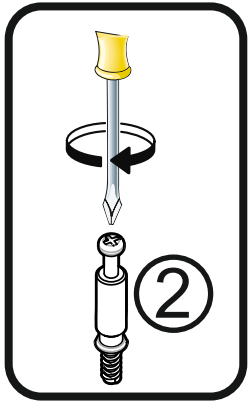
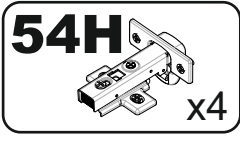
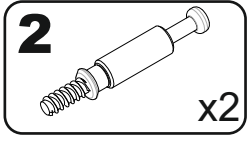
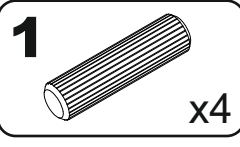
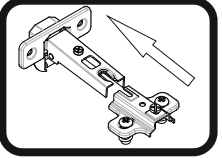
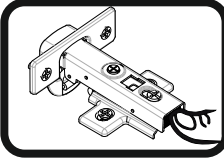




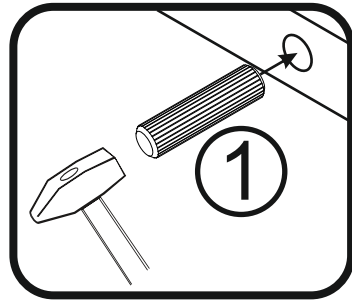
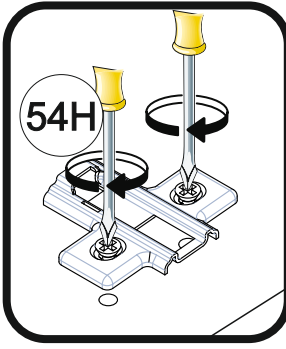
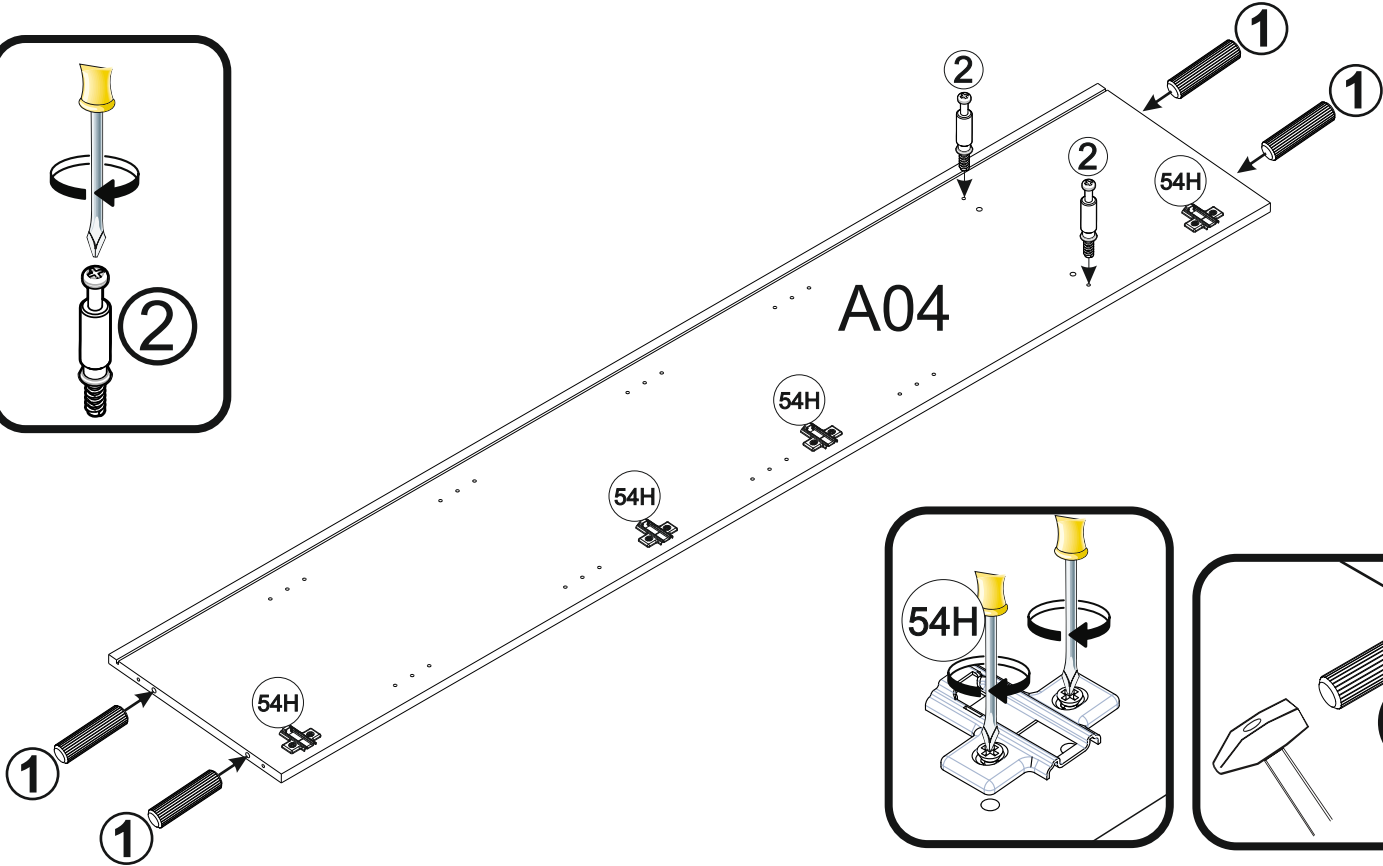
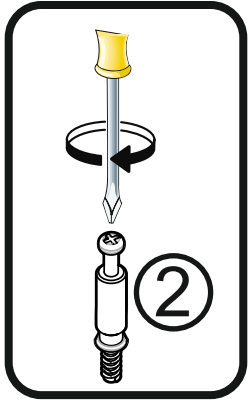
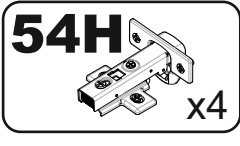
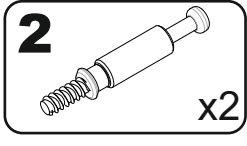
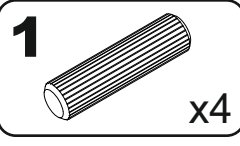
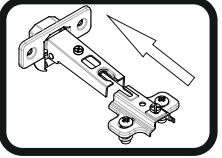
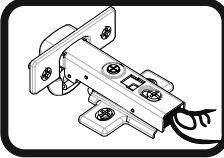
| A | B (mm) | C (mm) | D (mm) | E | F |
|------|--------|--------|--------|---|-----|
| A01 | 1052 | 358 | 16 | 1 | 1/3 |
| A02 | 1052 | 380 | 22 | 1 | 1/3 |
| A03 | 1860 | 358 | 16 | 1 | 2/3 |
| A04 | 1860 | 358 | 16 | 1 | 2/3 |
| A05 | 1860 | 338 | 16 | 1 | 2/3 |
| A11 | 626 | 328 | 16 | 1 | 1/3 |
| A12 | 376 | 328 | 16 | 4 | 1/3 |
| A21 | 626 | 338 | 16 | 1 | 1/3 |
| A22 | 376 | 338 | 16 | 1 | 1/3 |
| A31 | 1870 | 639 | 3 | 1 | 2/3 |
| A32 | 1870 | 389 | 3 | 1 | 2/3 |
| A41 | 396 | 998 | 18 | 1 | 3/3 |
| A42 | 396 | 868 | 18 | 1 | 3/3 |
| A43 | 396 | 998 | 18 | 1 | 3/3 |
| A44 | 396 | 868 | 18 | 1 | 3/3 |
| A45L | 998 | 246 | 16 | 1 | 3/3 |
| | 996 | 244 | 4 | 1 | 3/3 |
| A46L | 852 | 246 | 16 | 1 | 3/3 |
| | 850 | 244 | 4 | 1 | 3/3 |
| A81 | 378 | 82 | 16 | 1 | 3/3 |
| A82 | 236 | 82 | 16 | 1 | 3/3 |
| A83 | 370 | 82 | 16 | 1 | 3/3 |



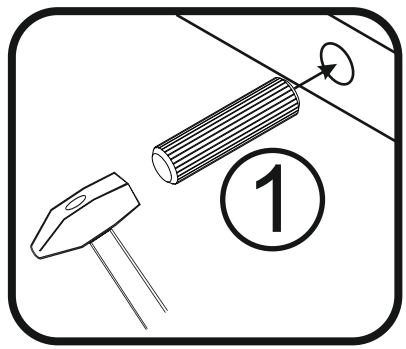
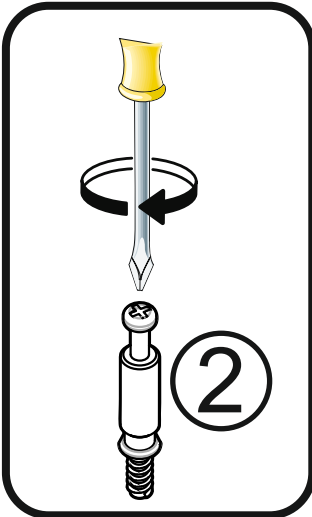
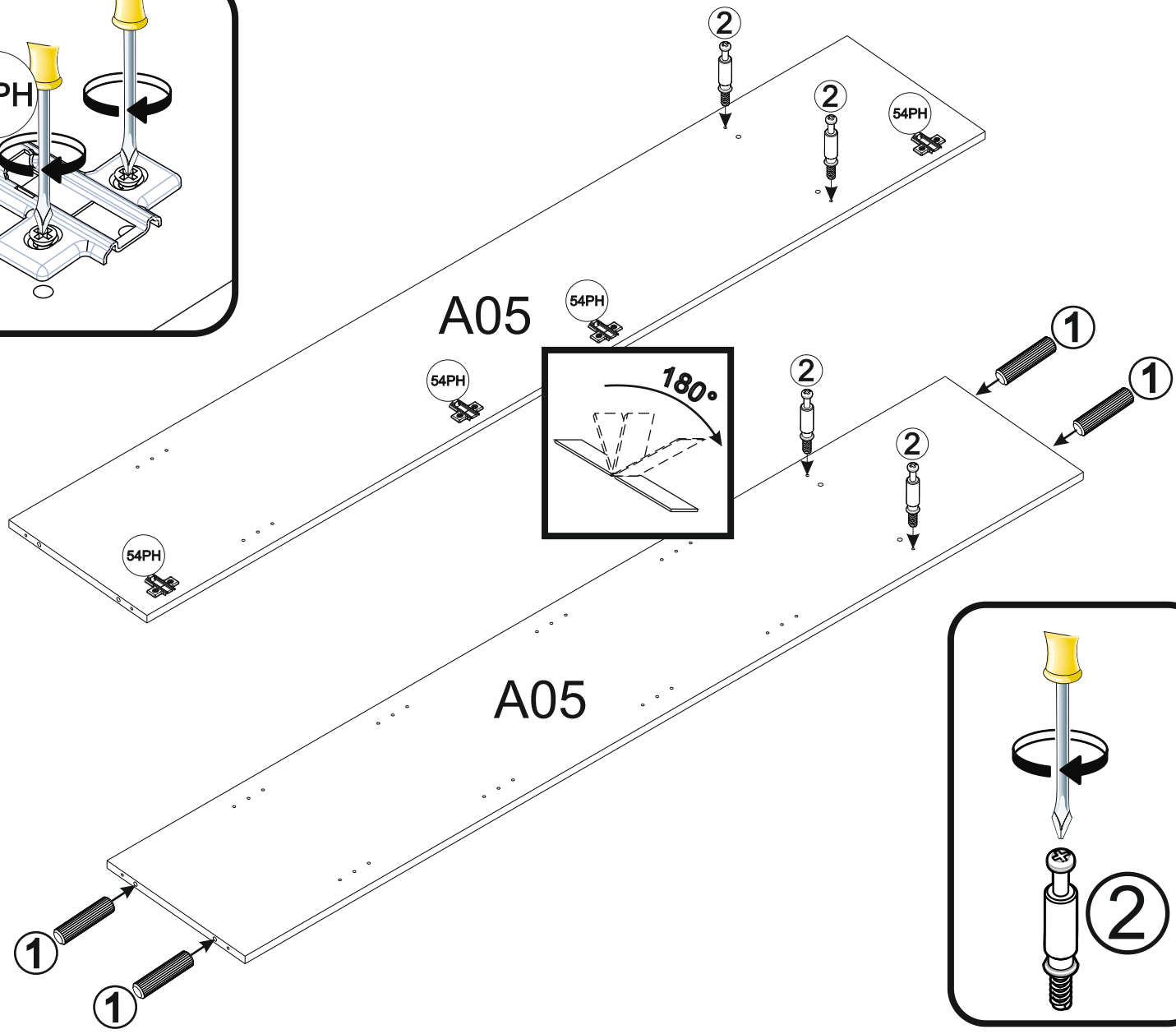
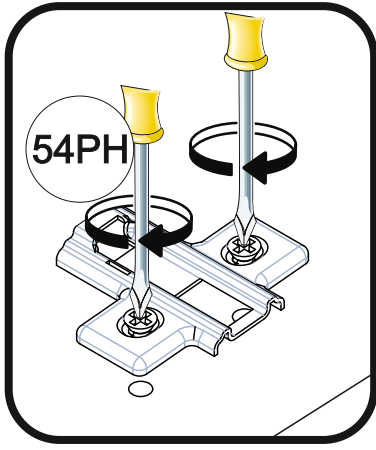
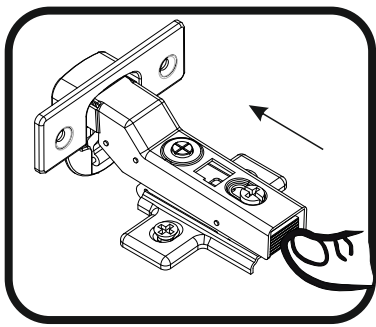
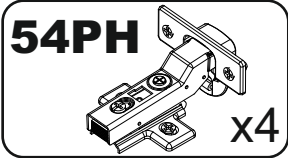
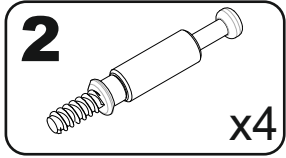
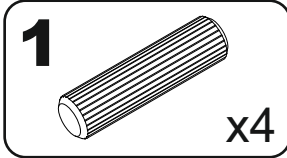
1



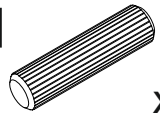

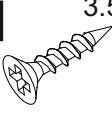
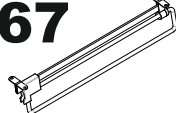
2

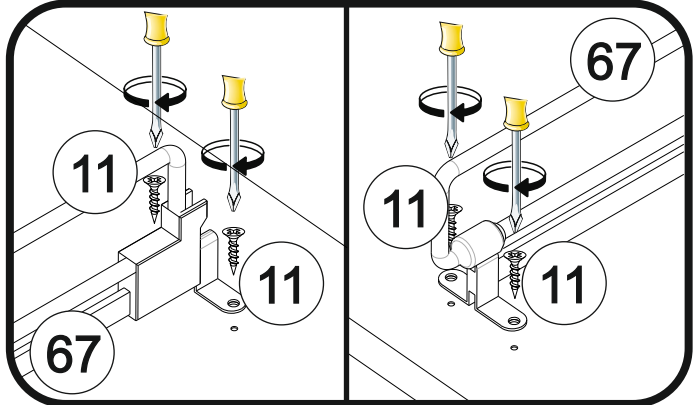
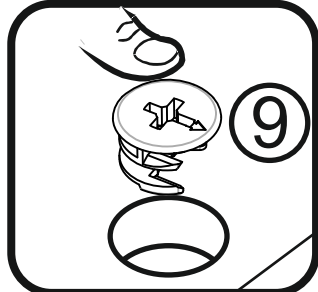
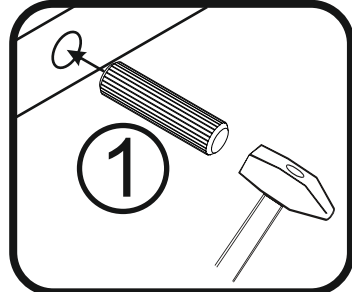
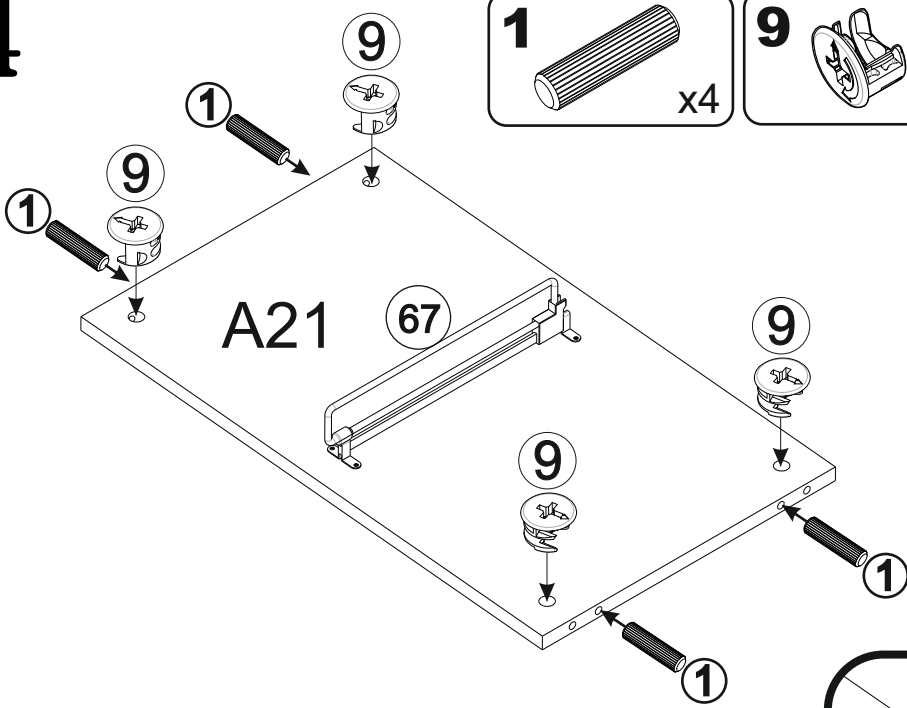


3



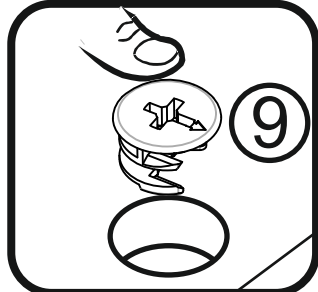
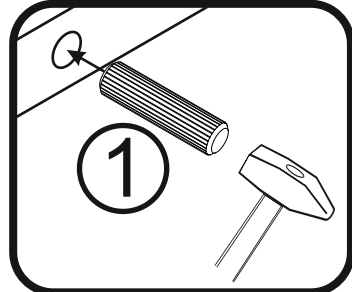
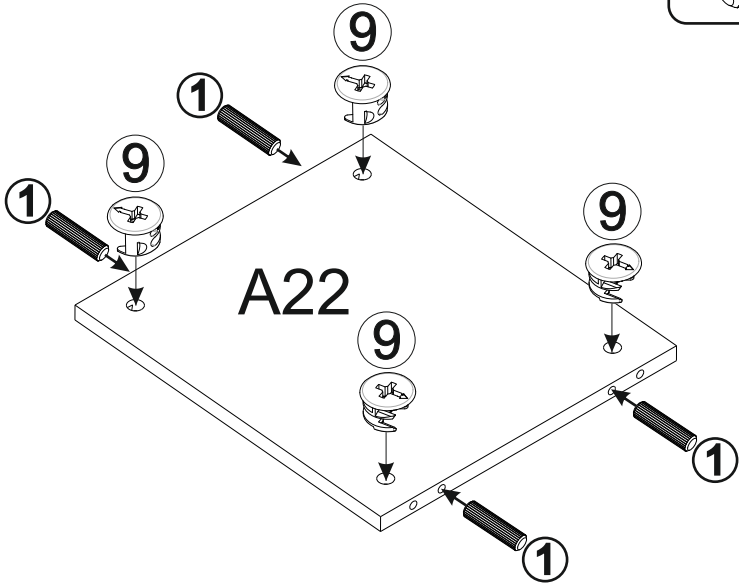
4

- 1**  x4
- 9**  ø15 x4
- 11**  3.5x13 x4
- 67**  x1

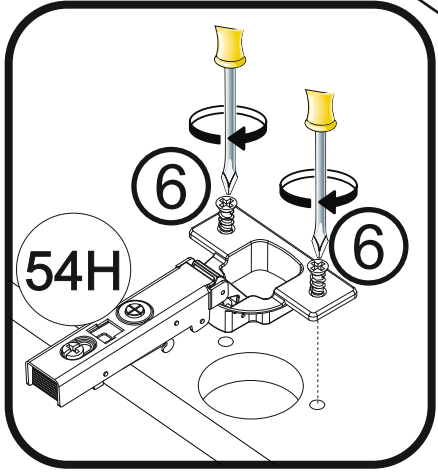
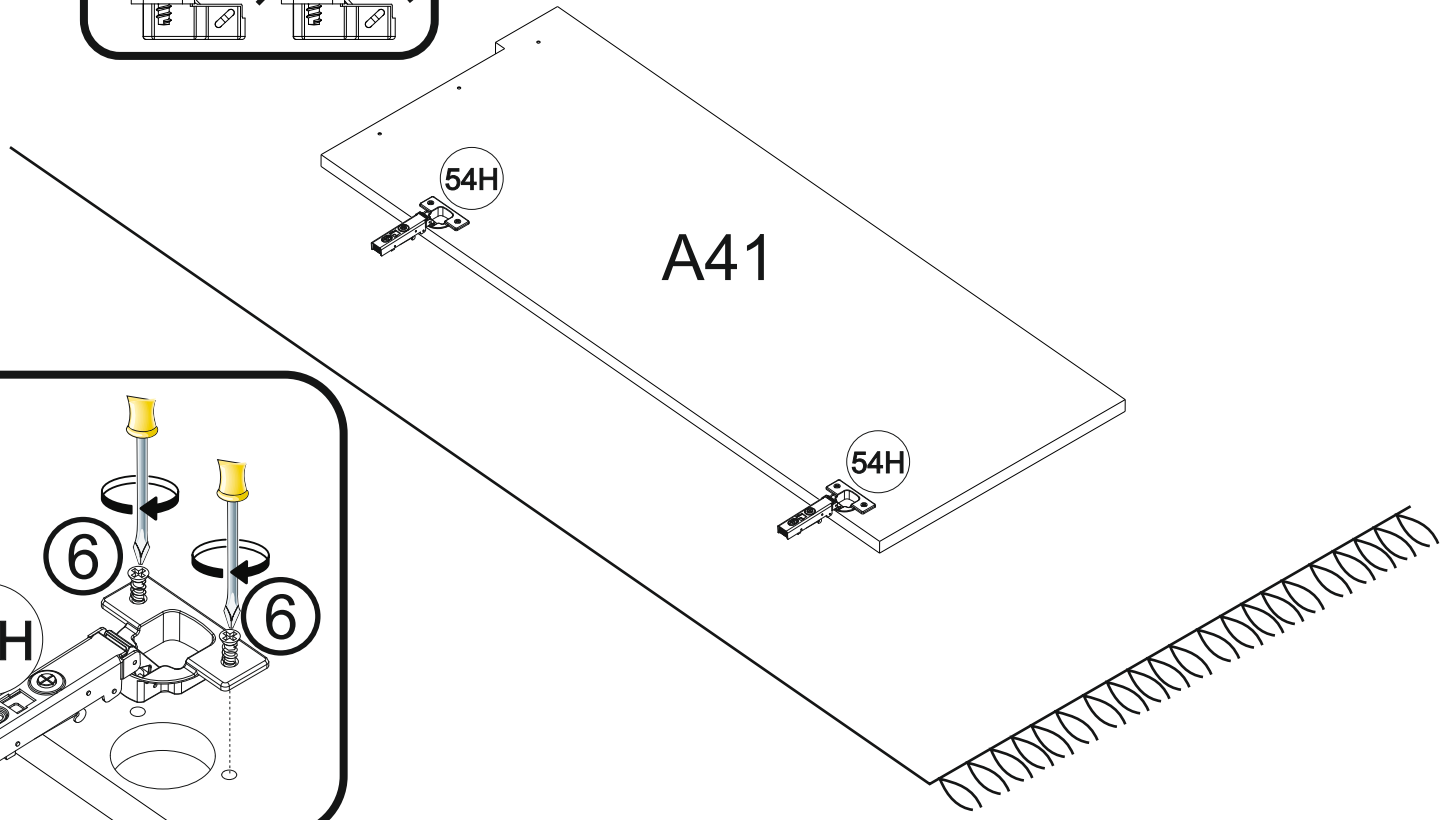
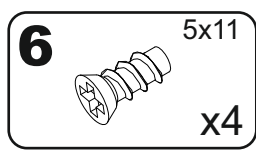
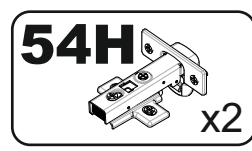
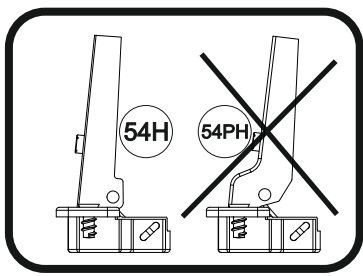


5

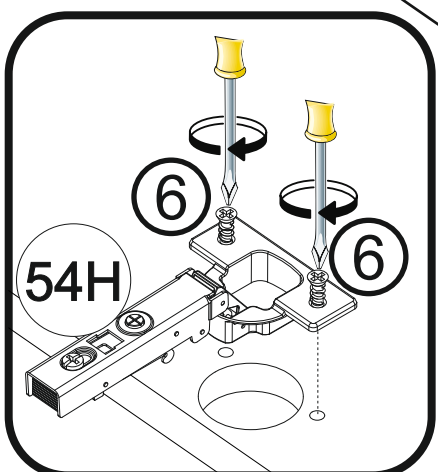
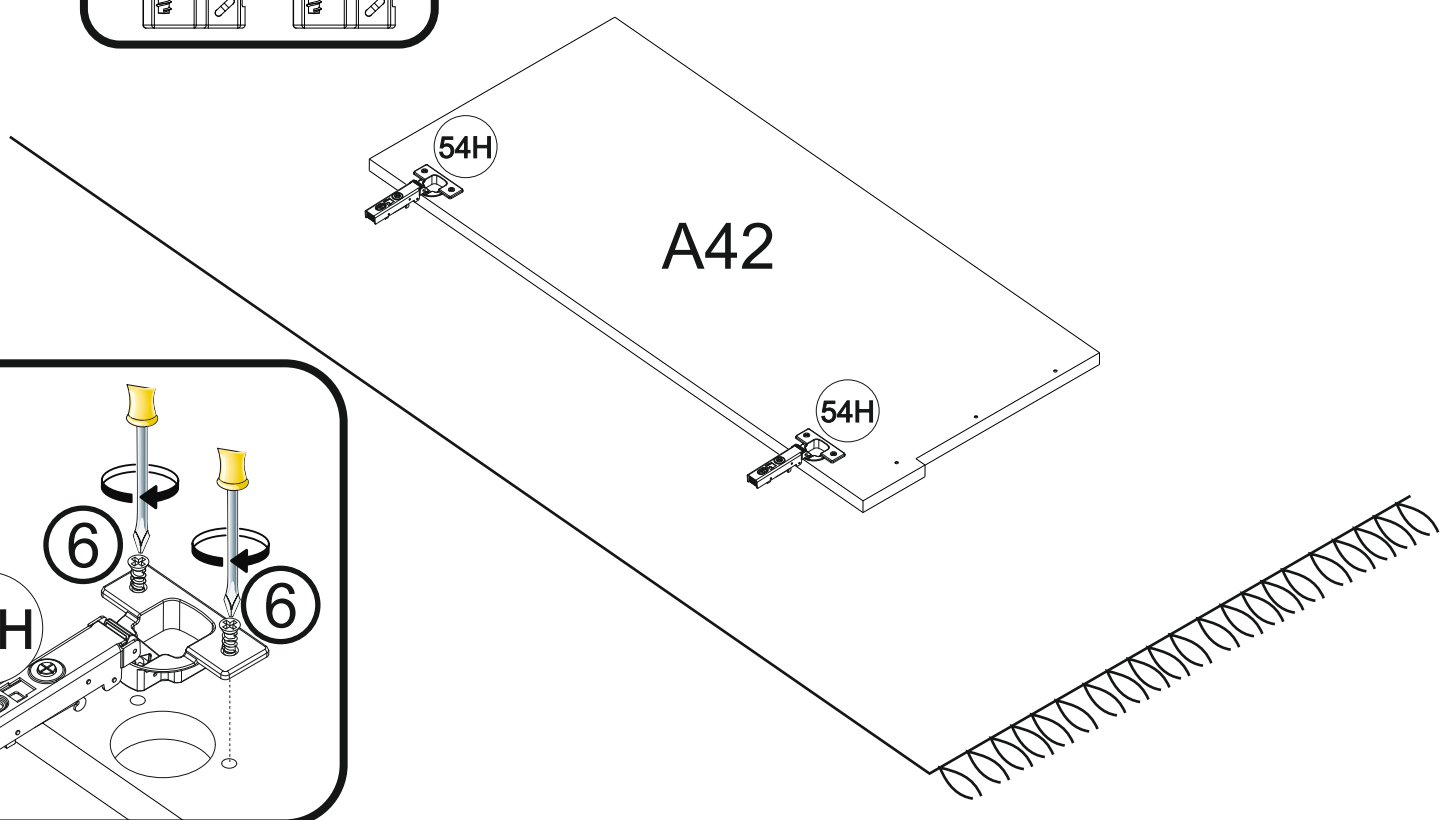
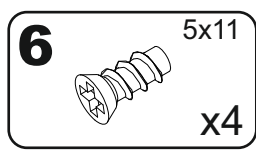
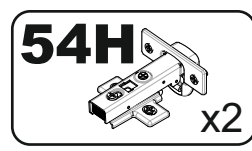
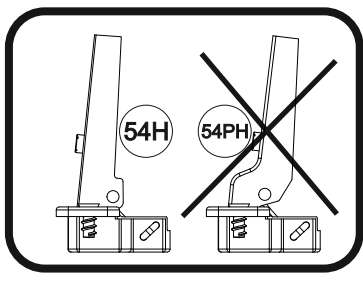
- 1**  x4
- 9**  ø15 x4



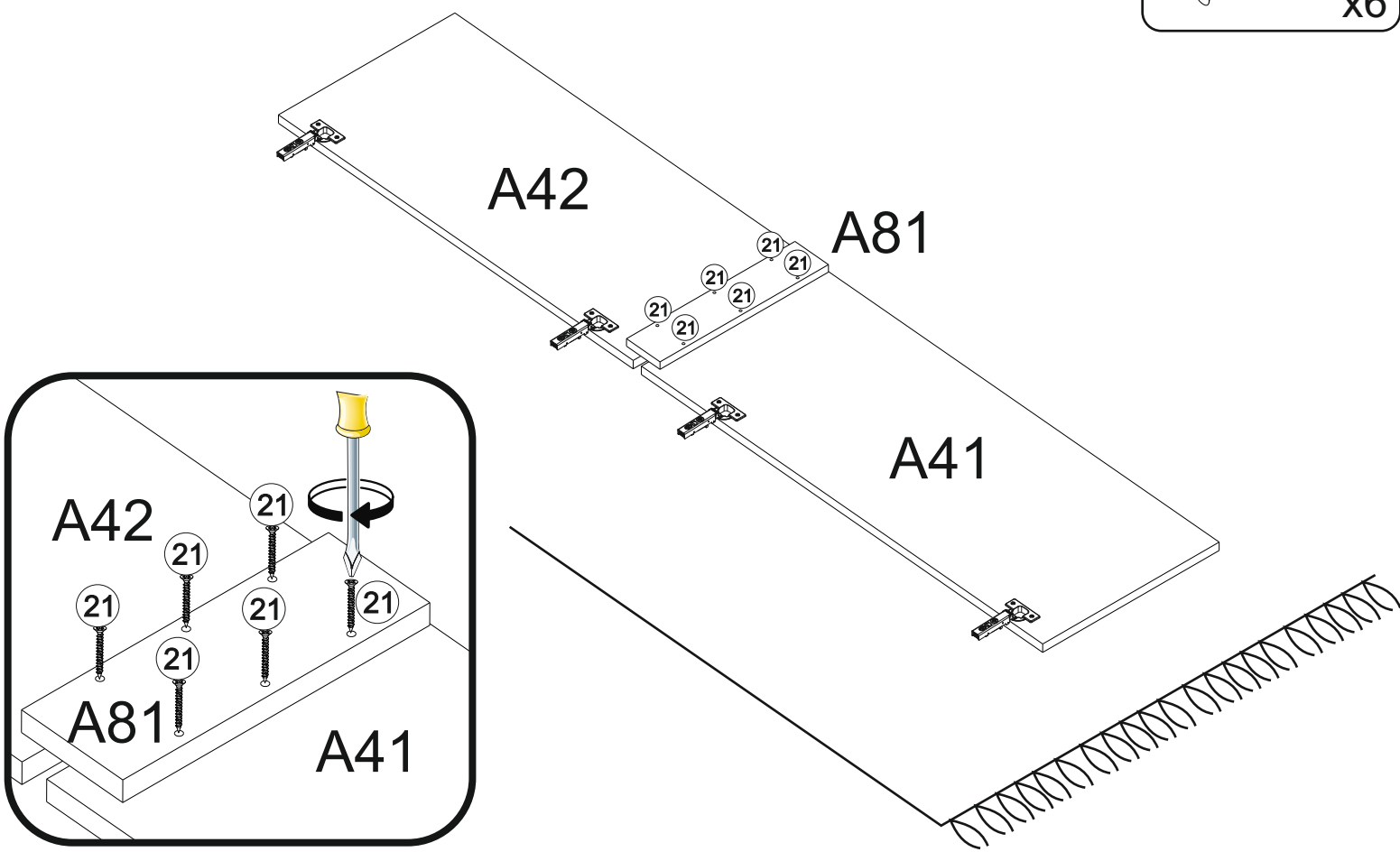
6



7



21 4x30
x6



A42

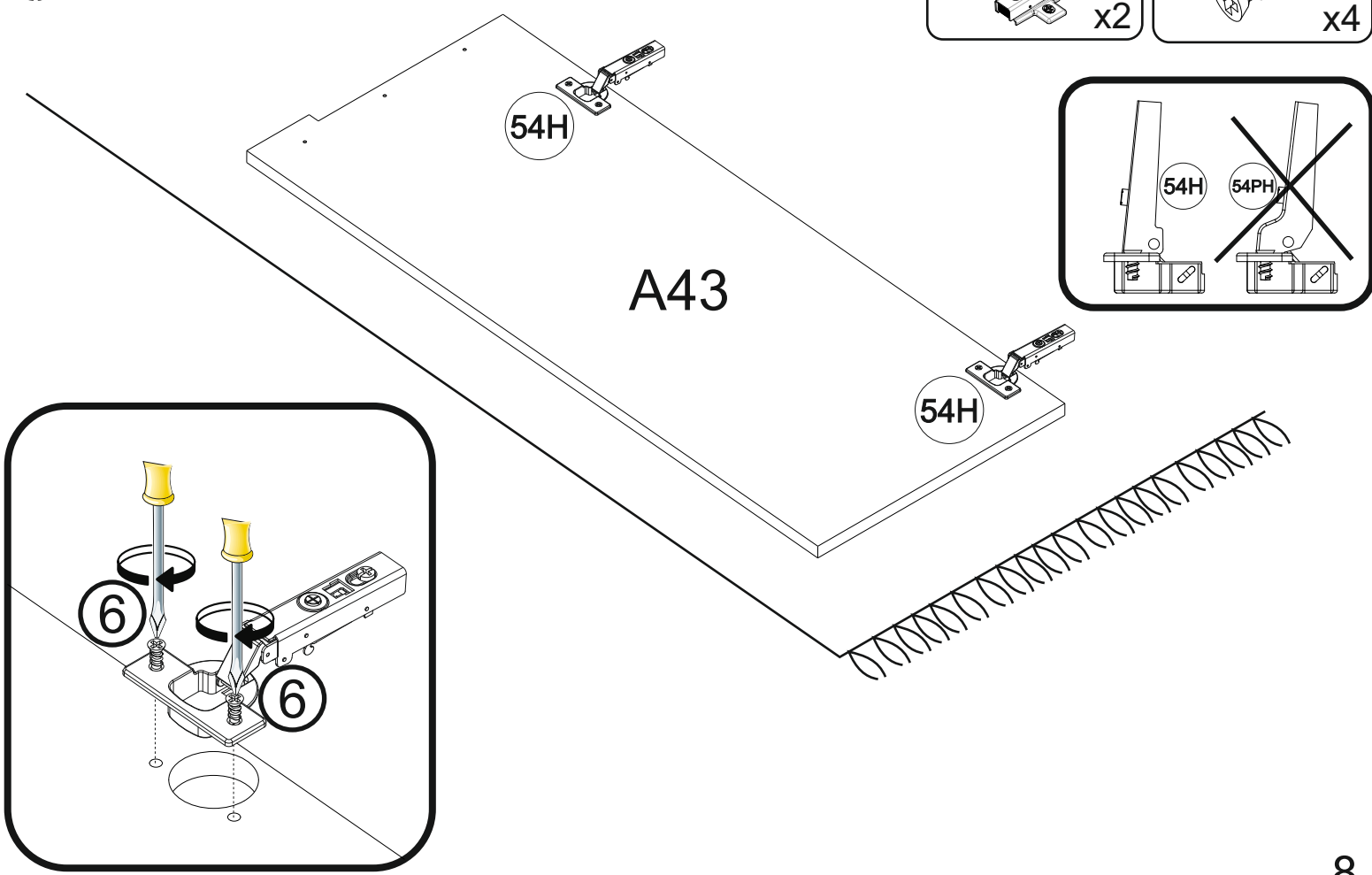
A81

A41

21

54H x2

6 5x11
x4



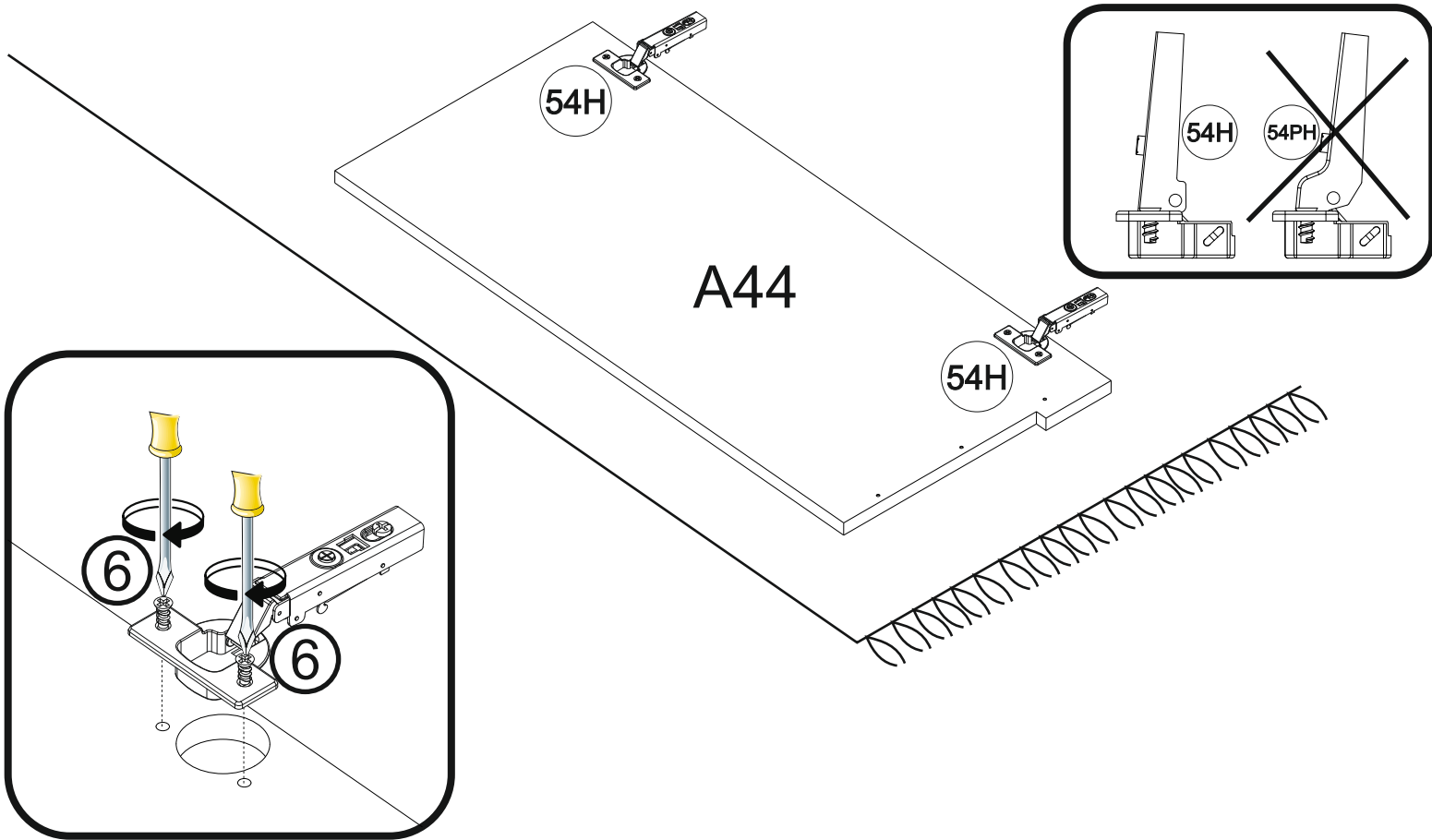
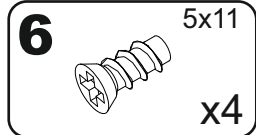
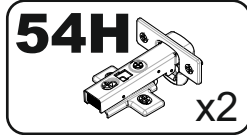
54H

54PH

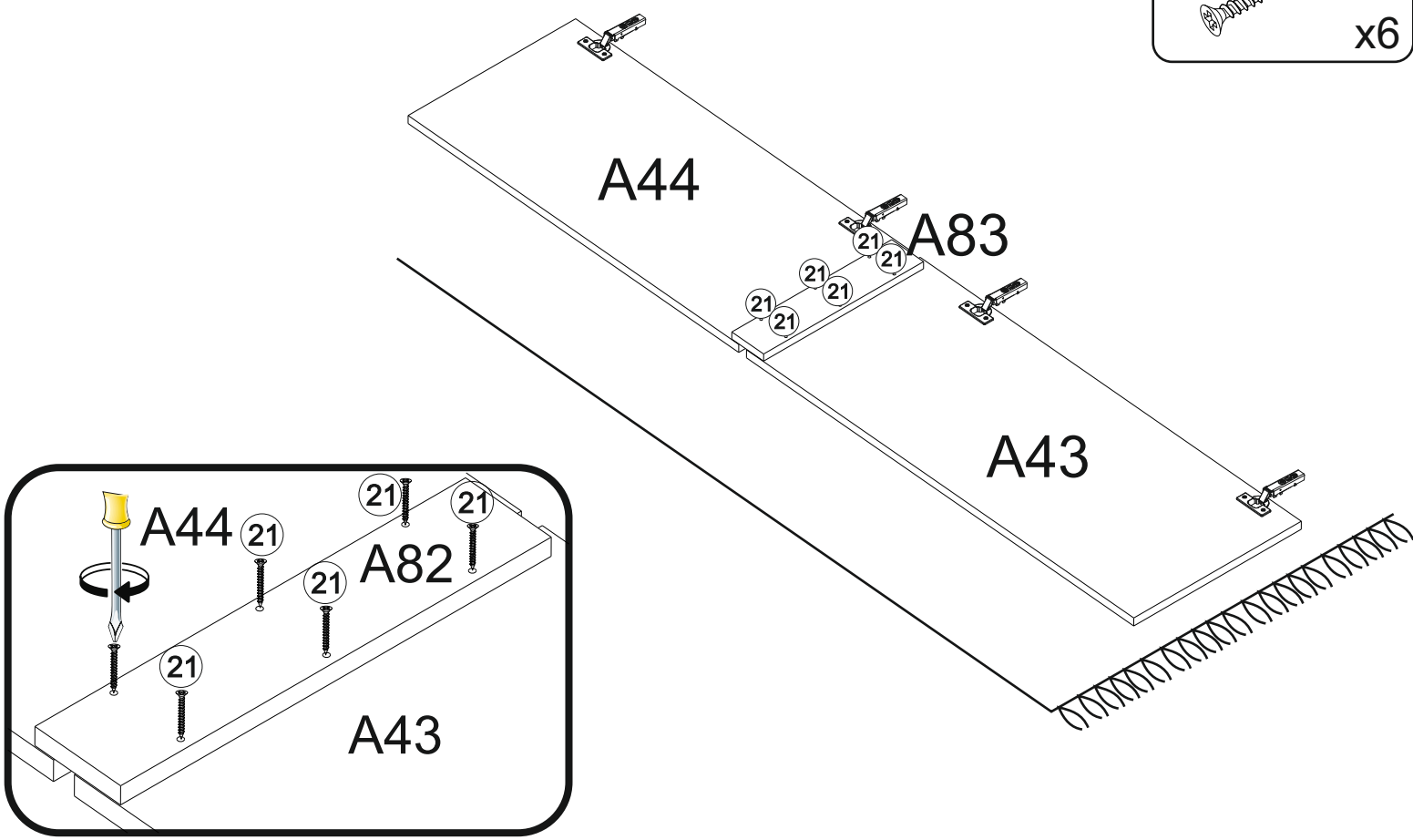
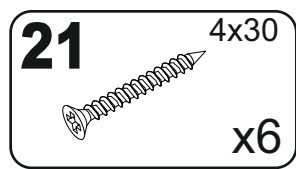
6

6

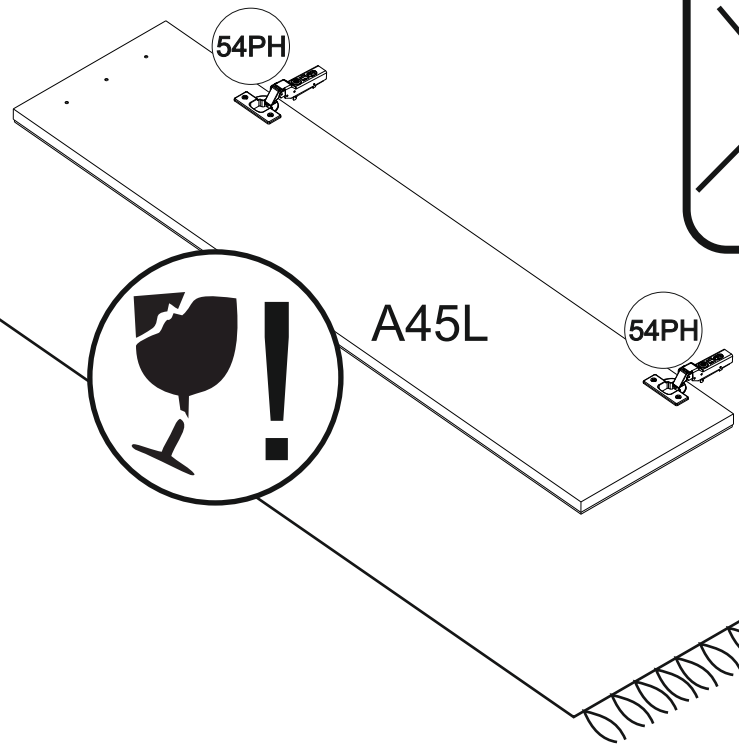
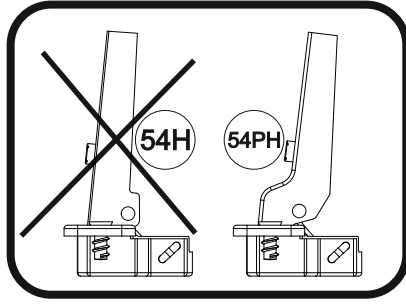
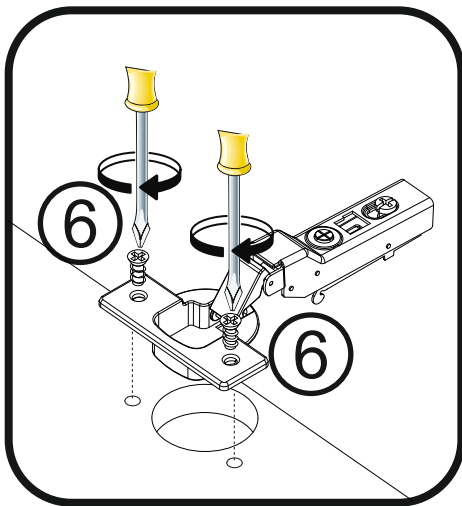
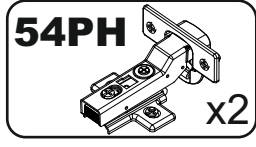
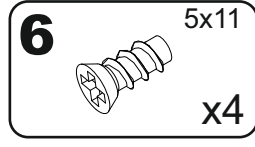
10



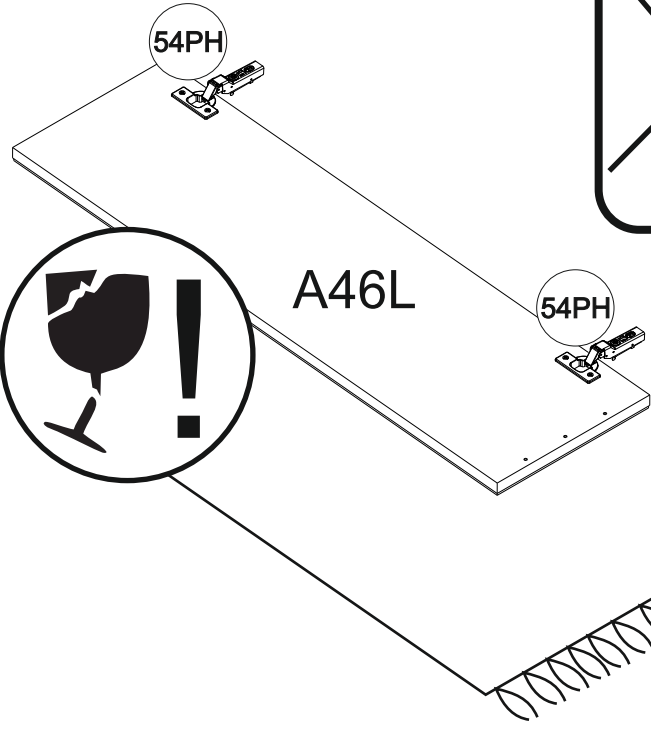
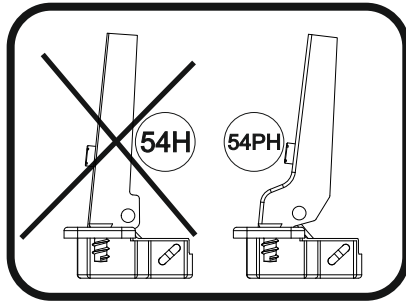
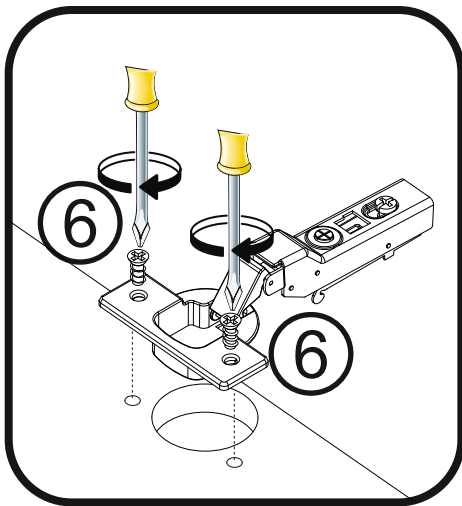
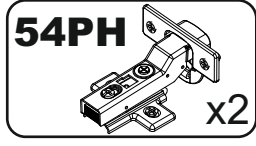
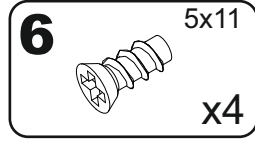
11



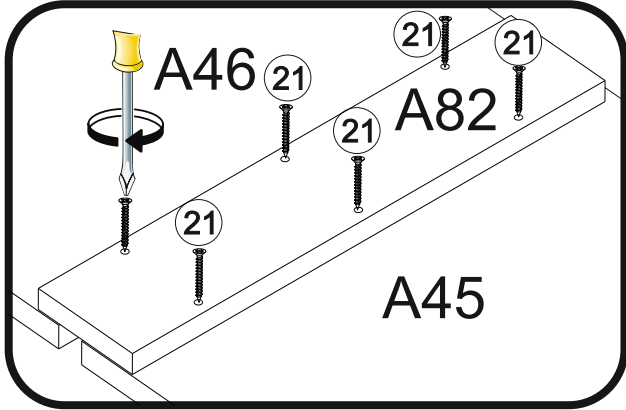
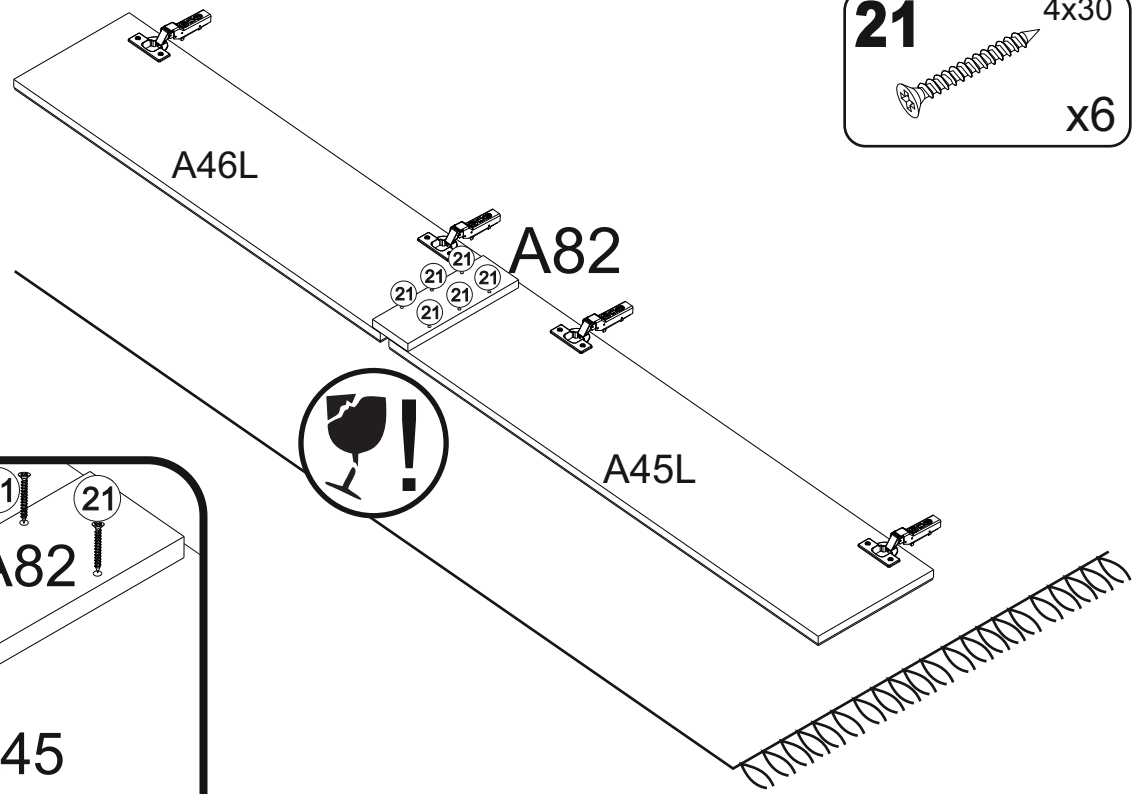
12



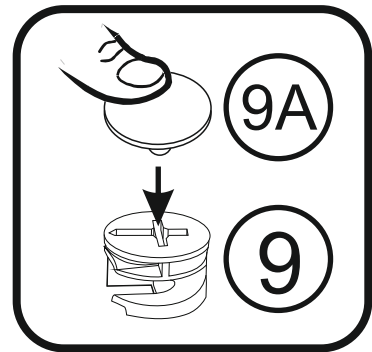
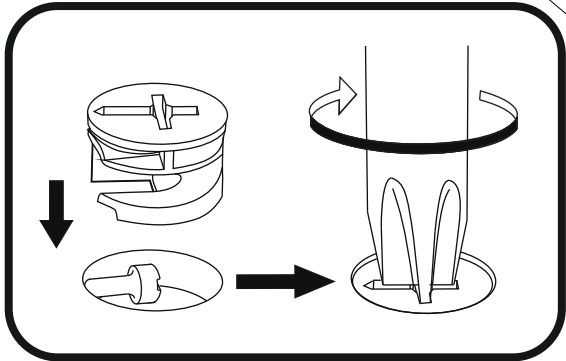
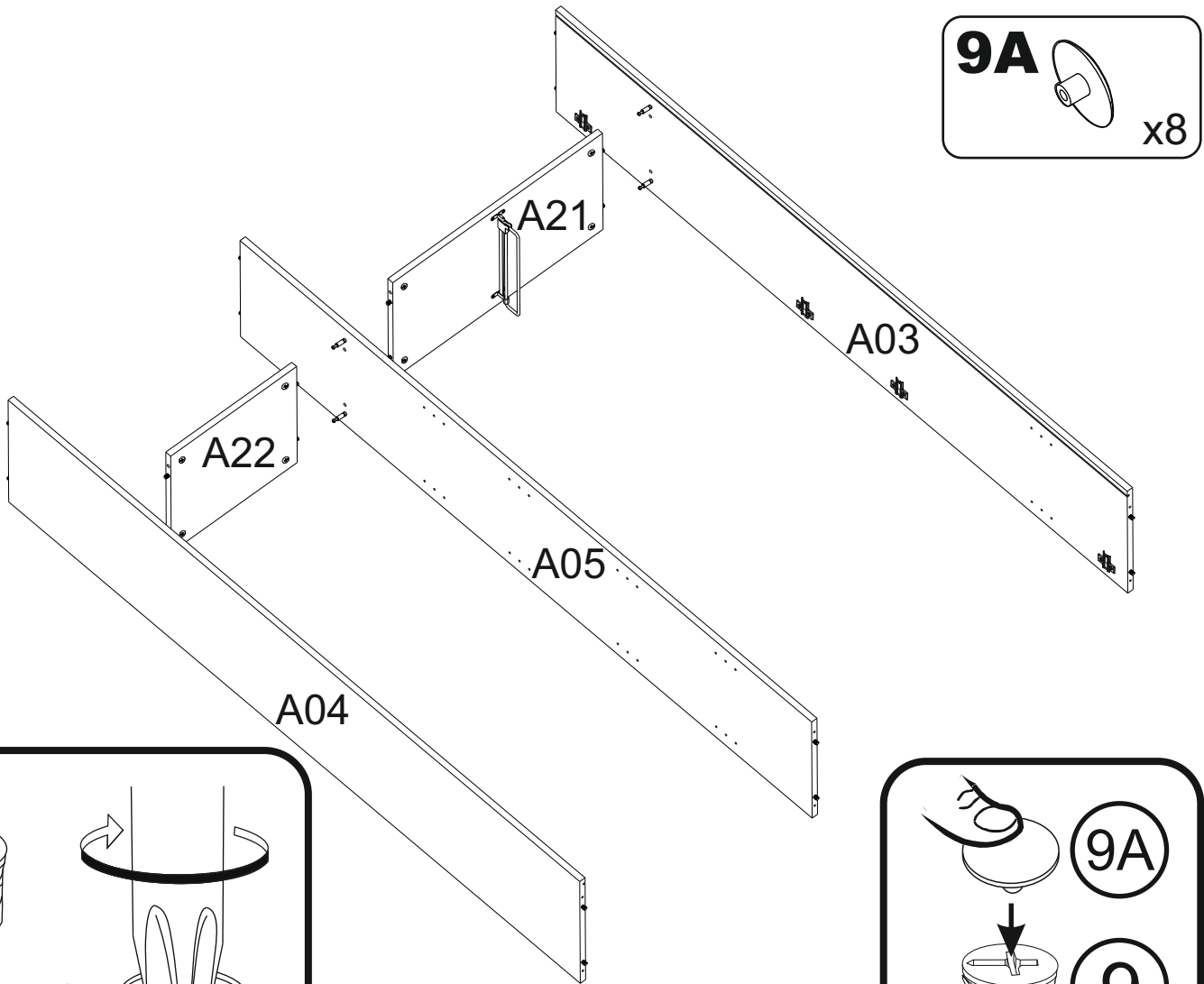
13



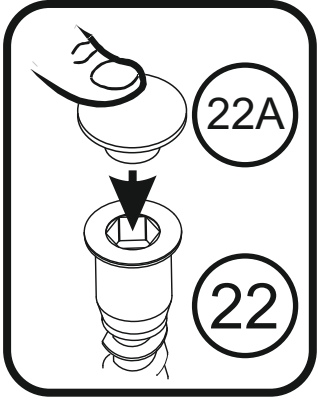
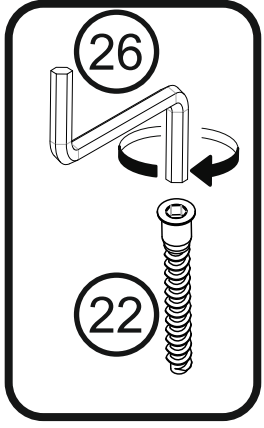
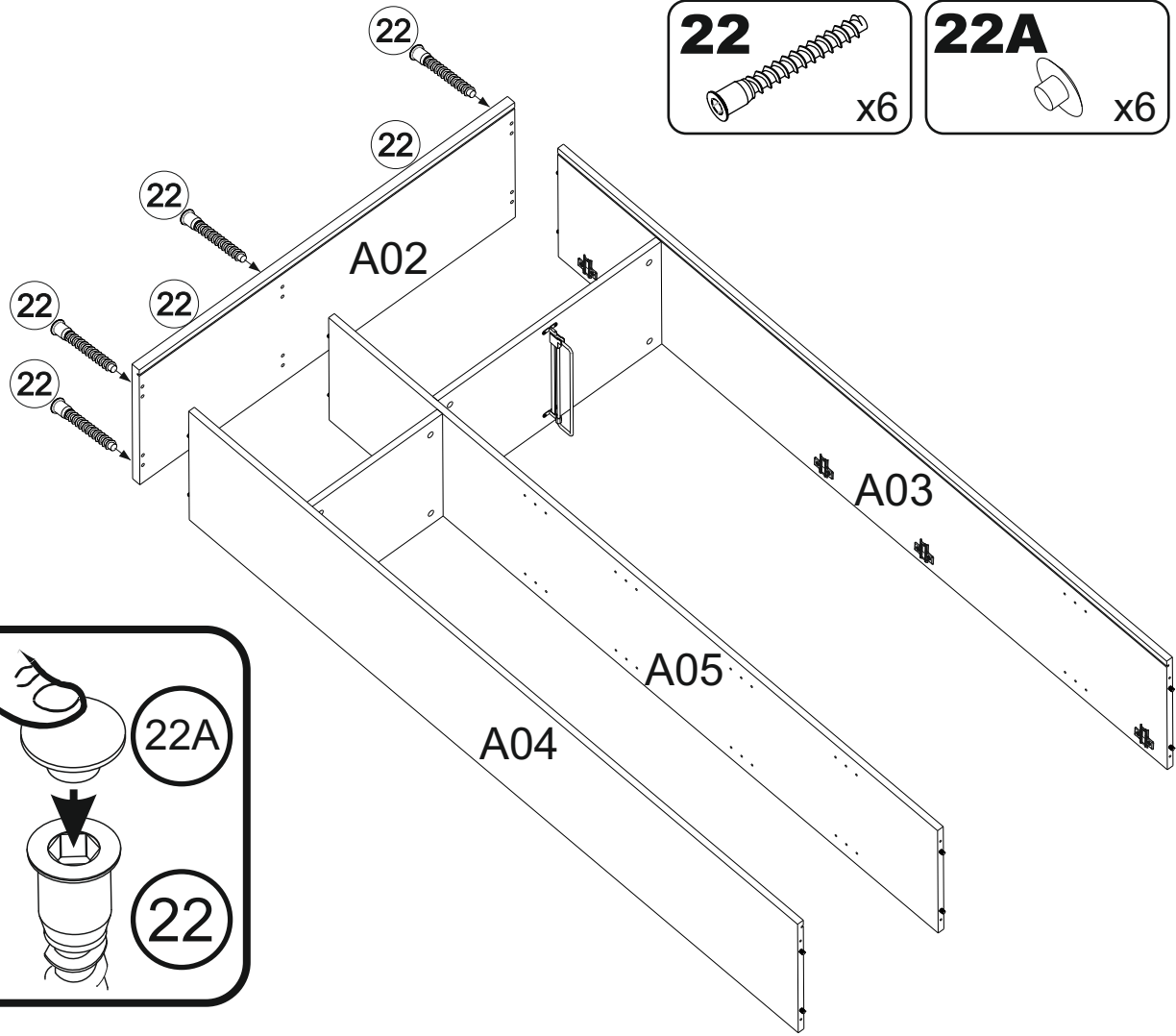
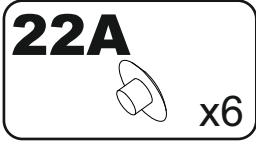
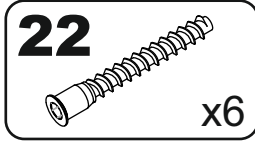
14



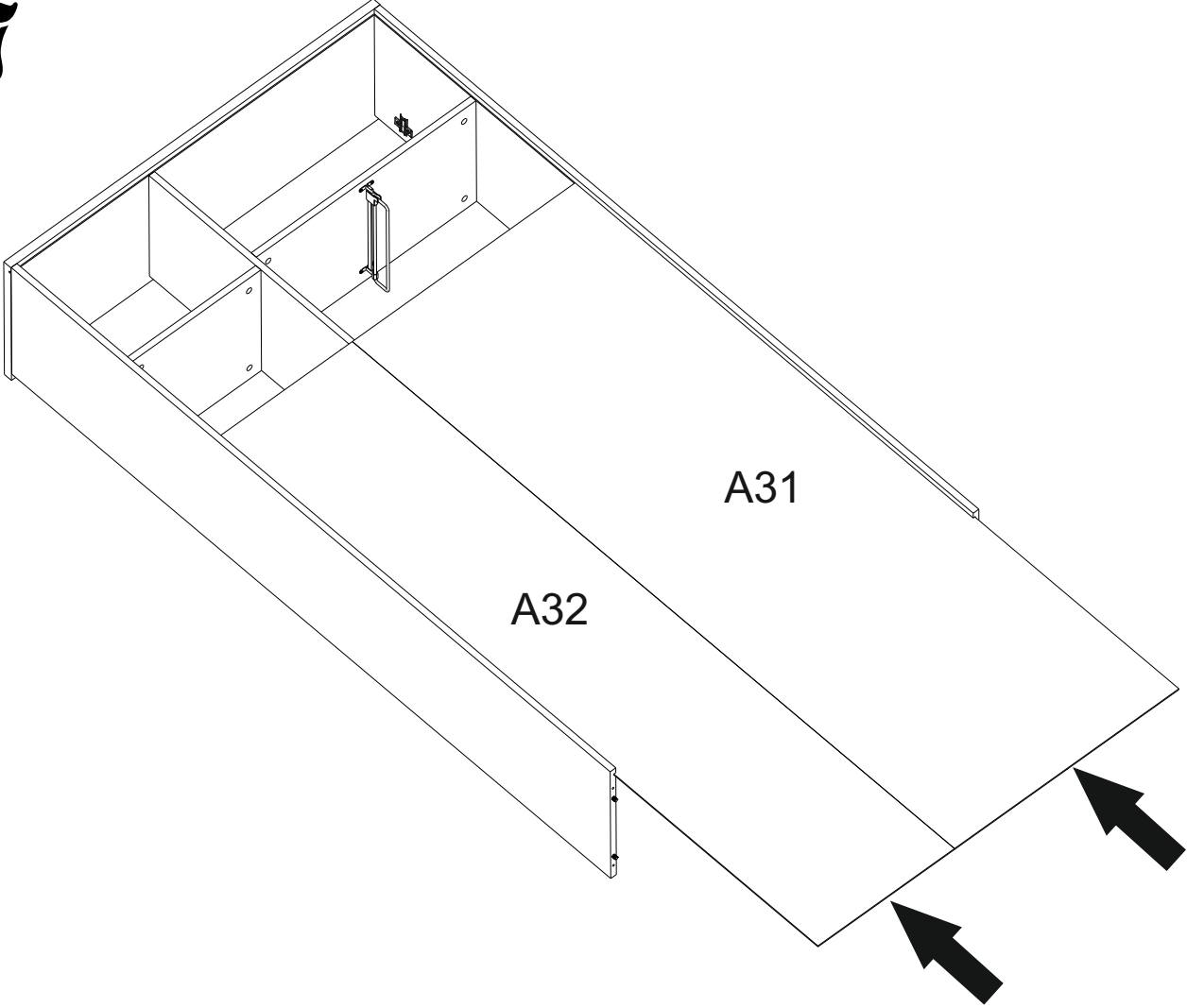
15



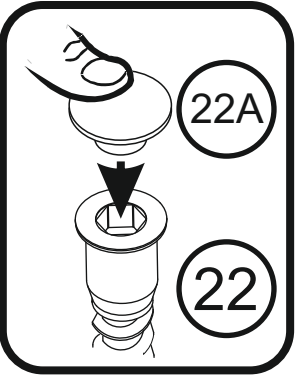
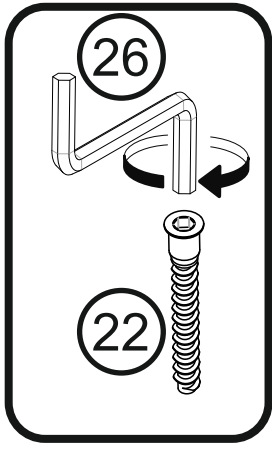
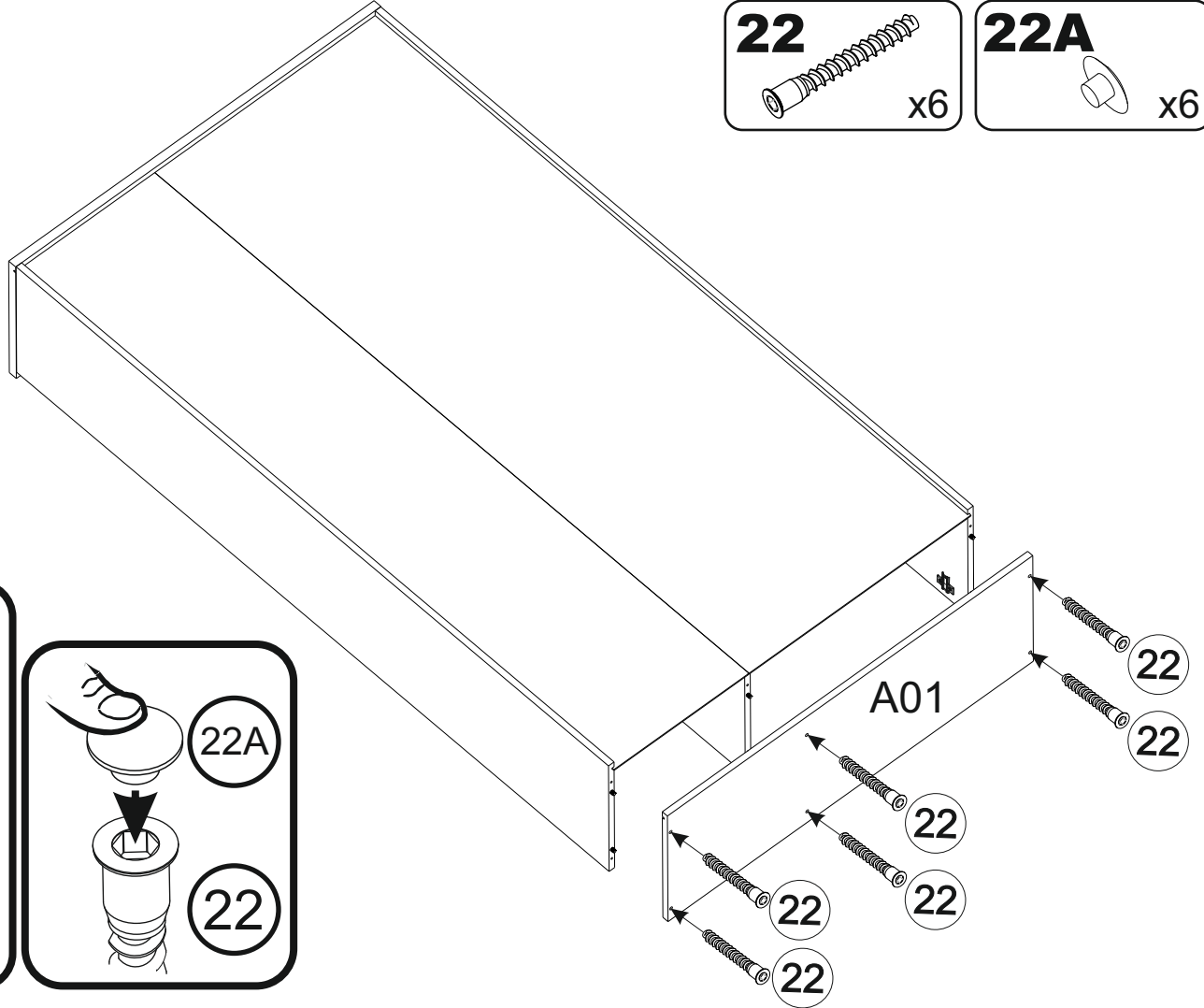
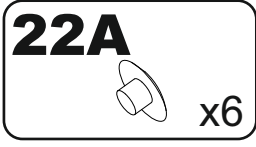
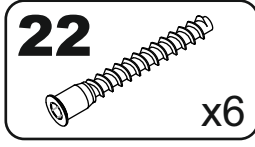
16



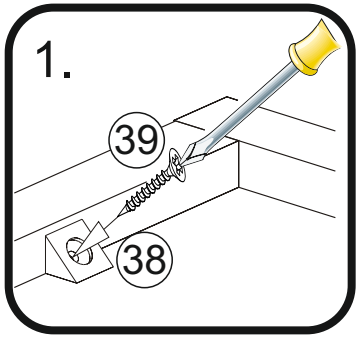
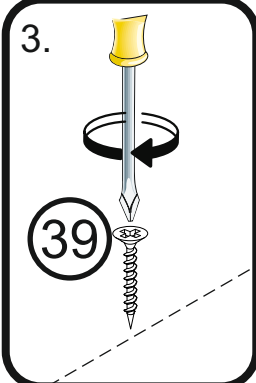
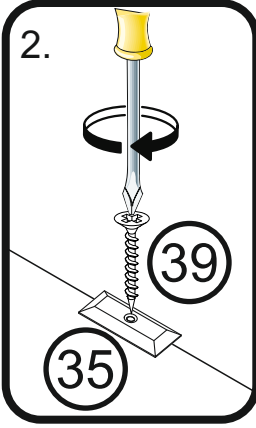
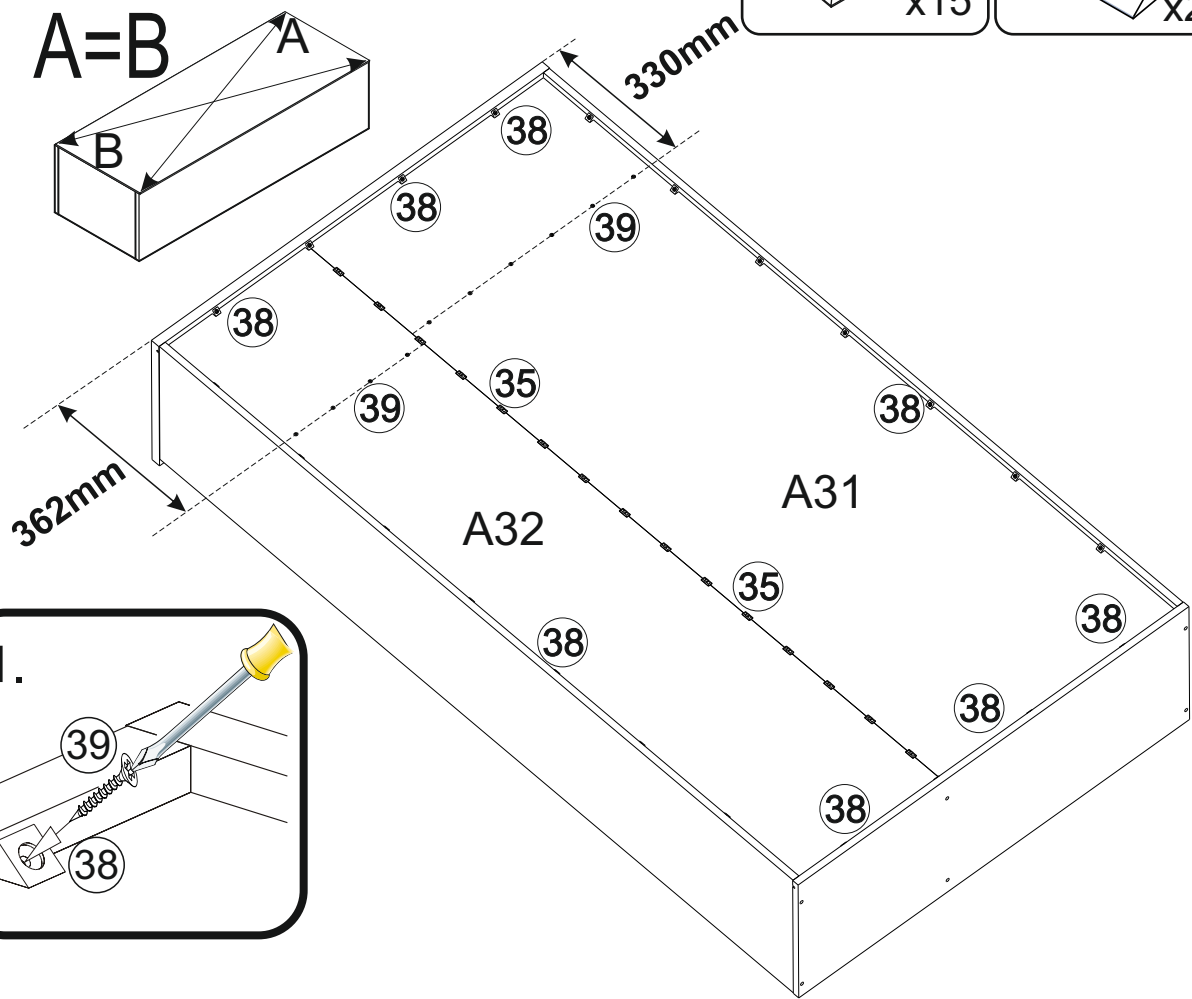
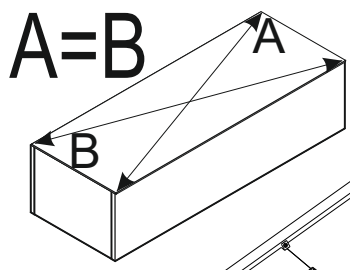
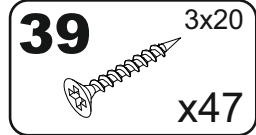
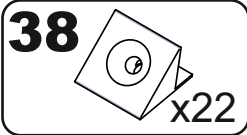
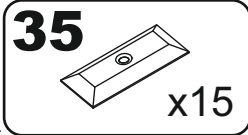
17



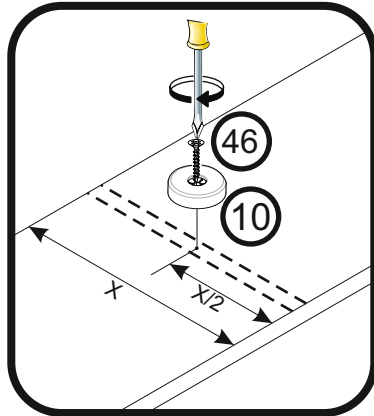
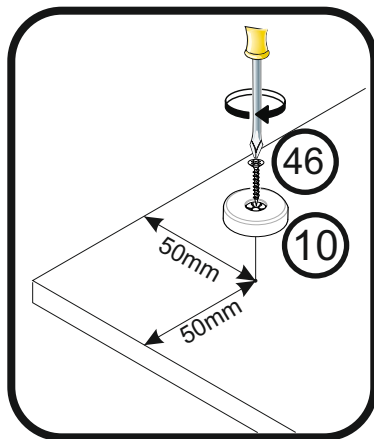
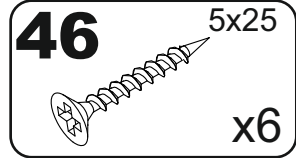
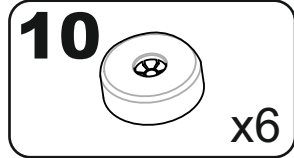
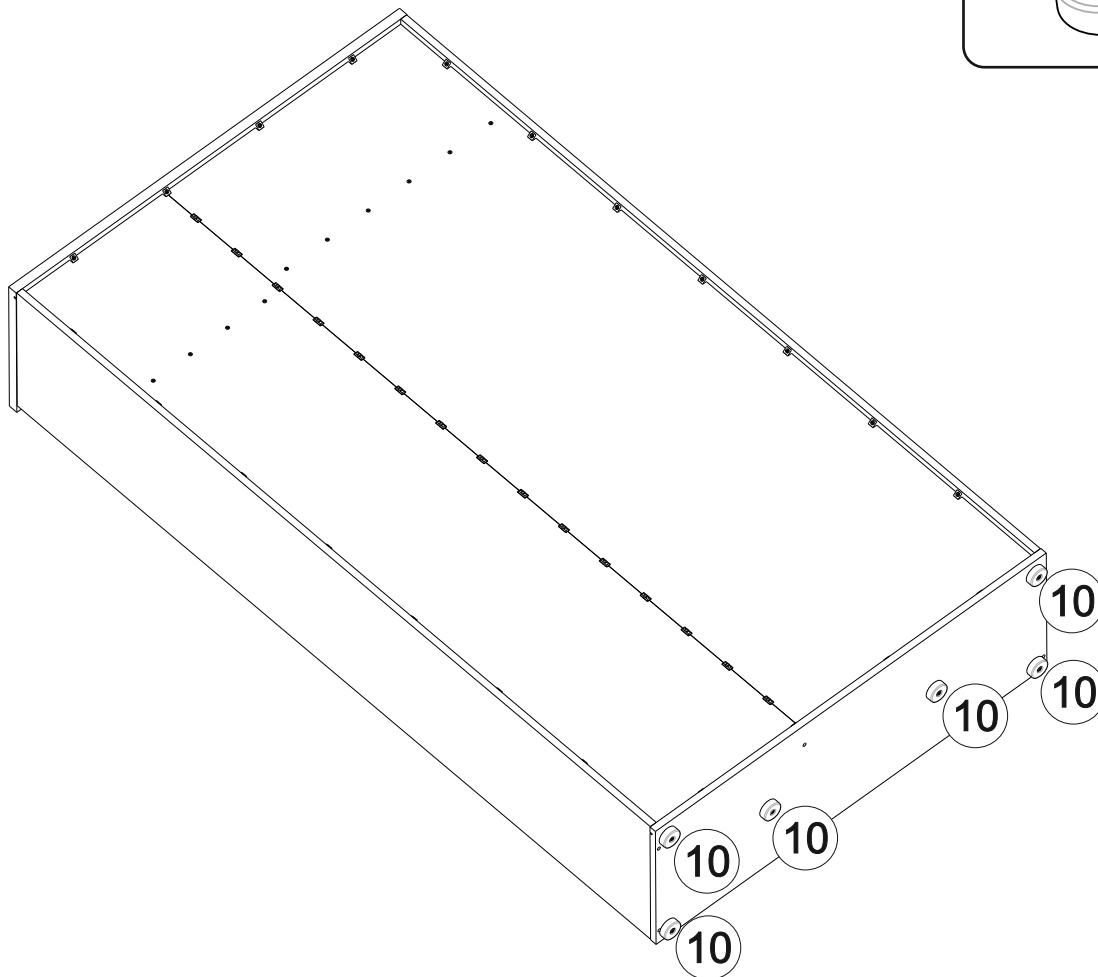
18



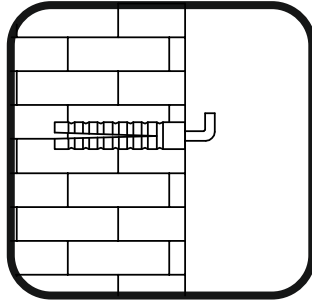
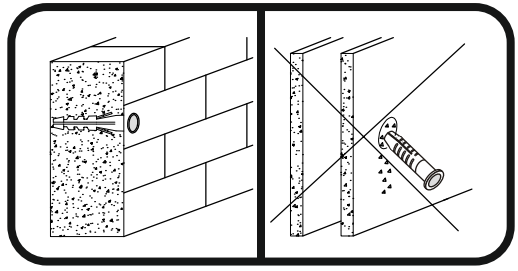
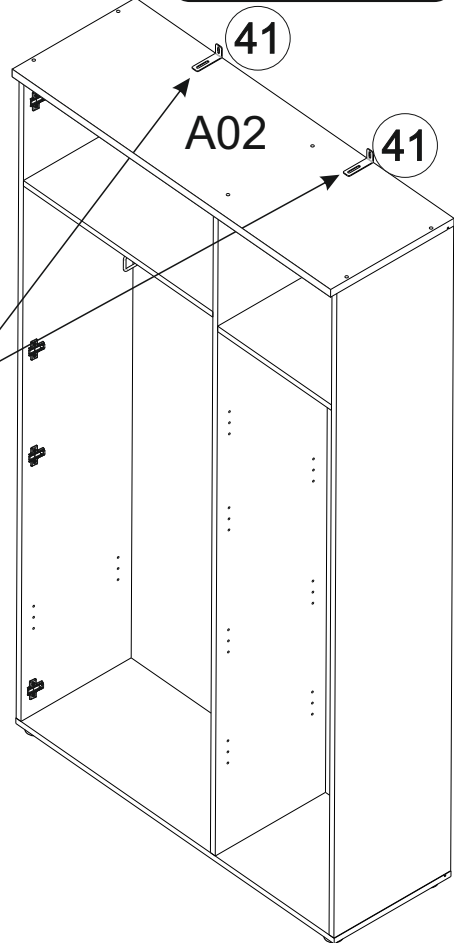
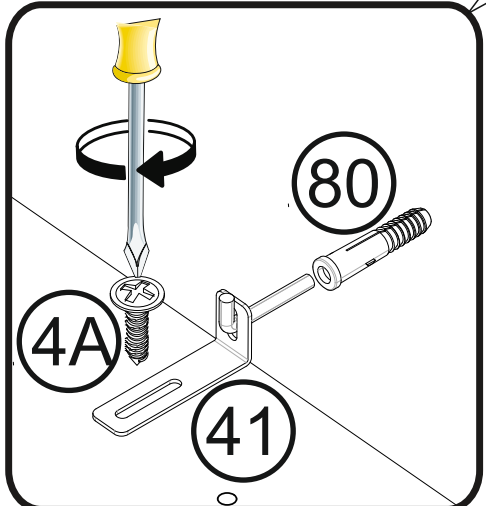
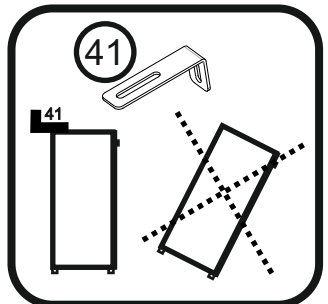
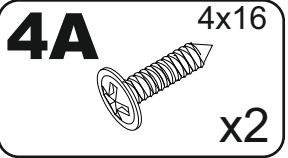
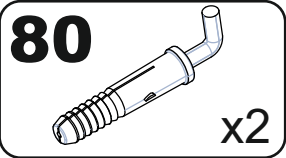
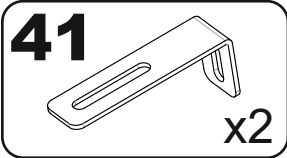
19



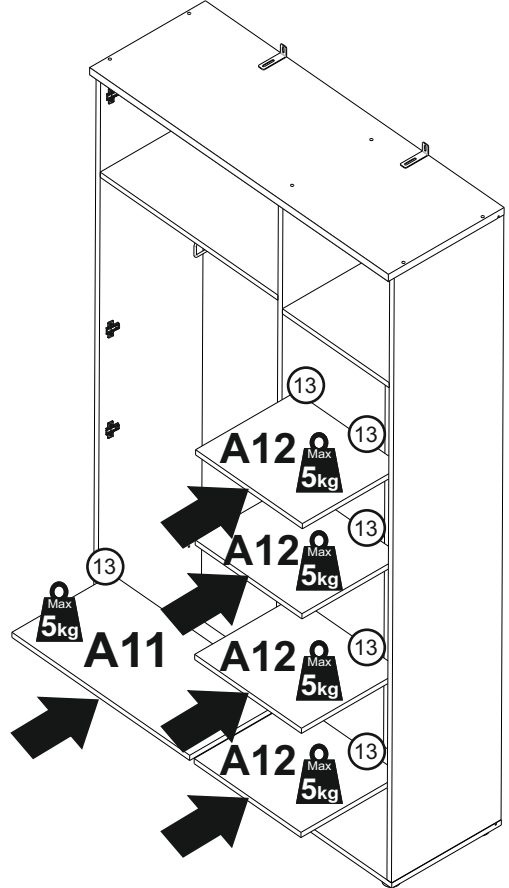
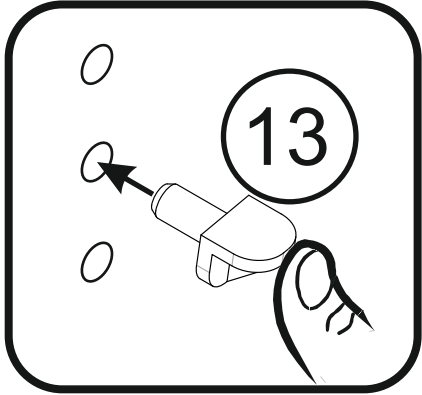
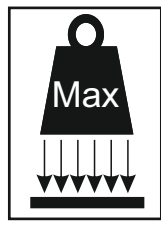
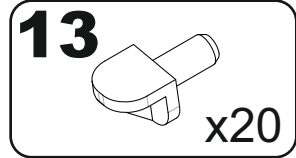
20



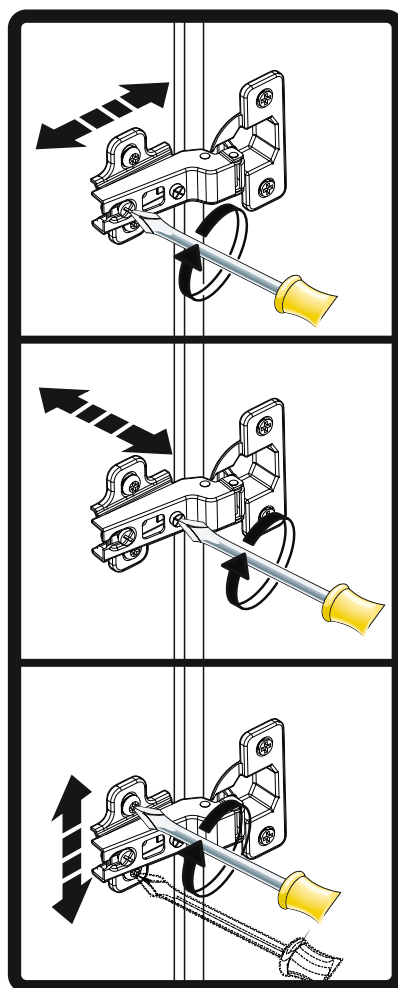
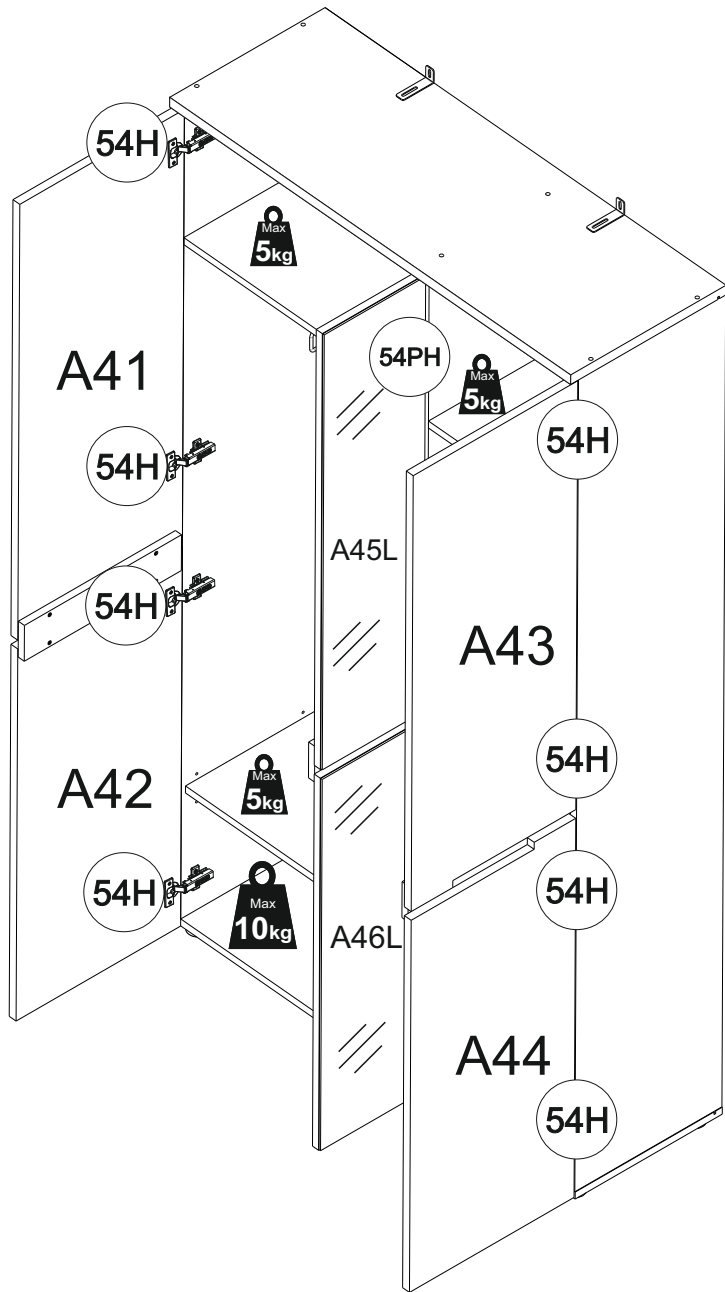
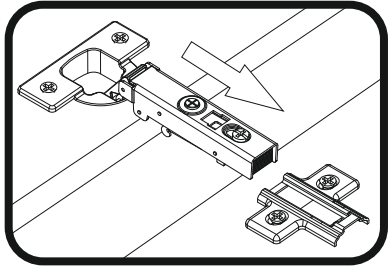
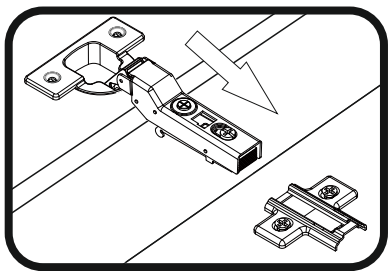
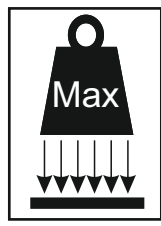
21

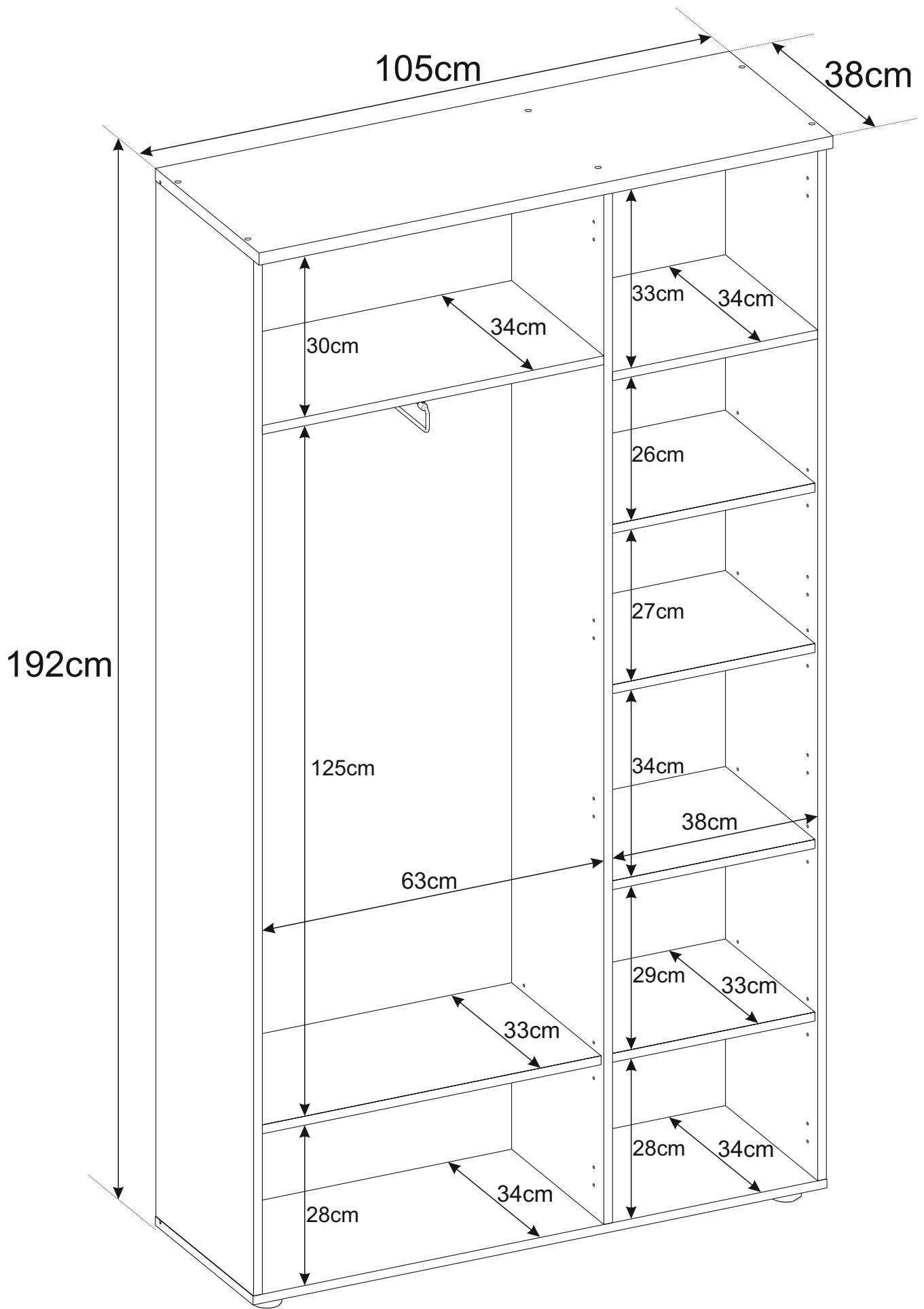


22

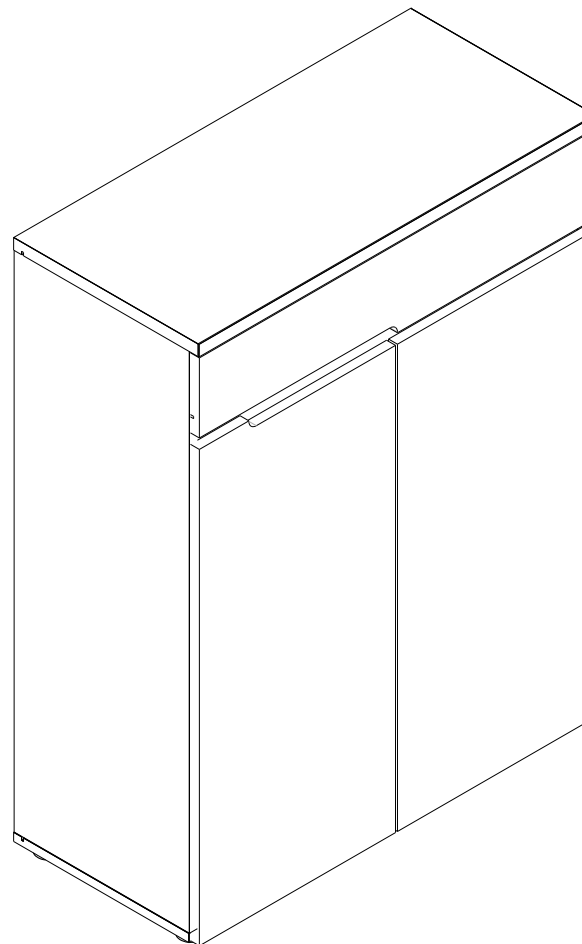
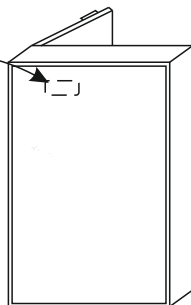


23

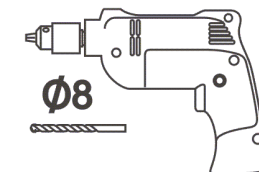
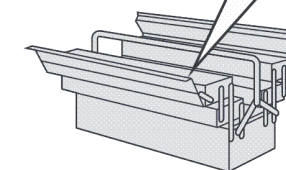
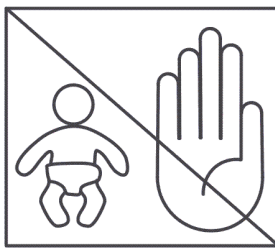
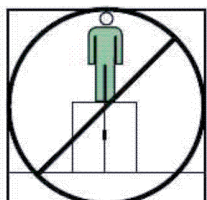
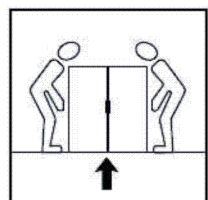
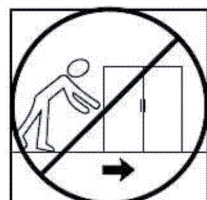
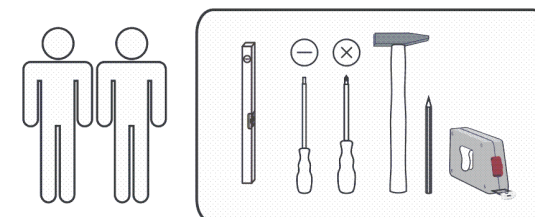
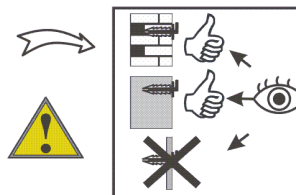
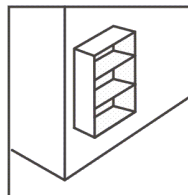
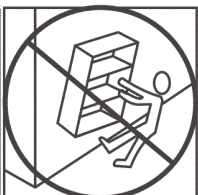
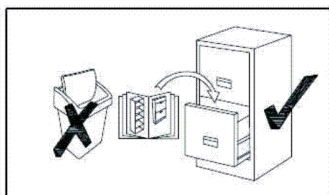
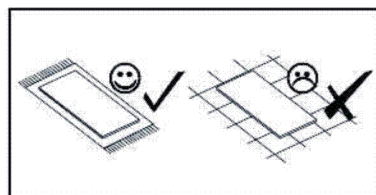


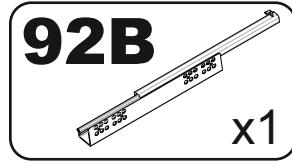
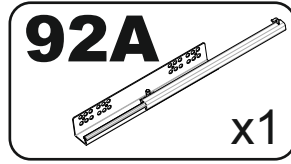
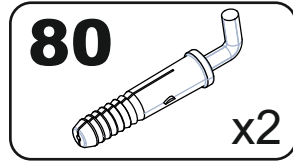
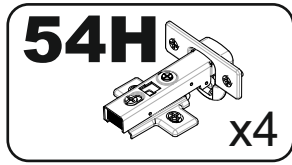
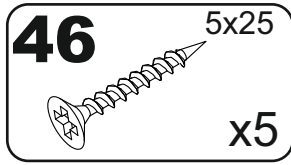
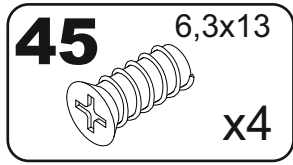
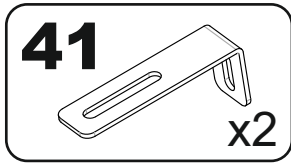
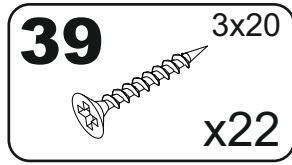
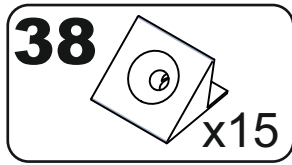
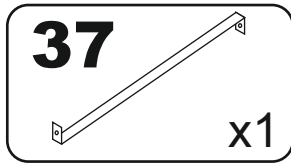
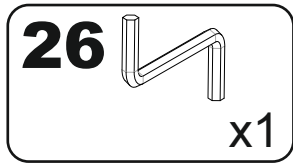
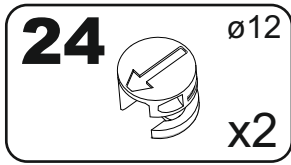
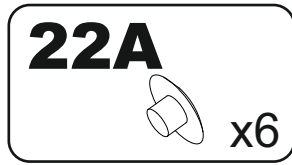
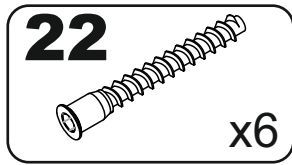
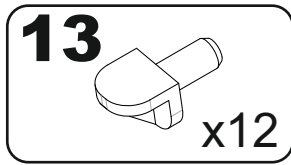
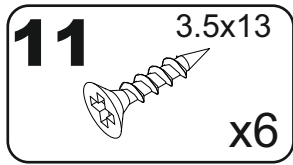
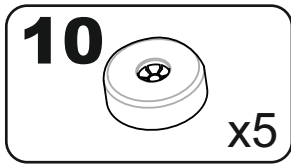
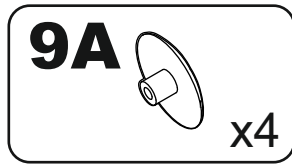
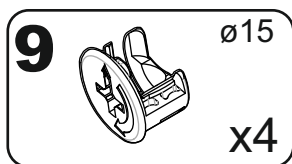
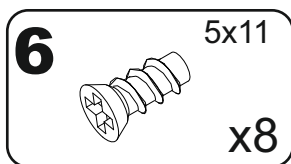
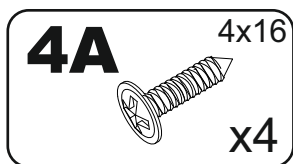
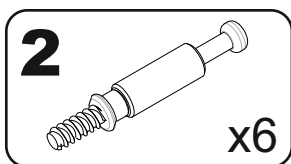
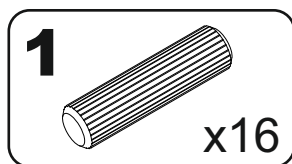
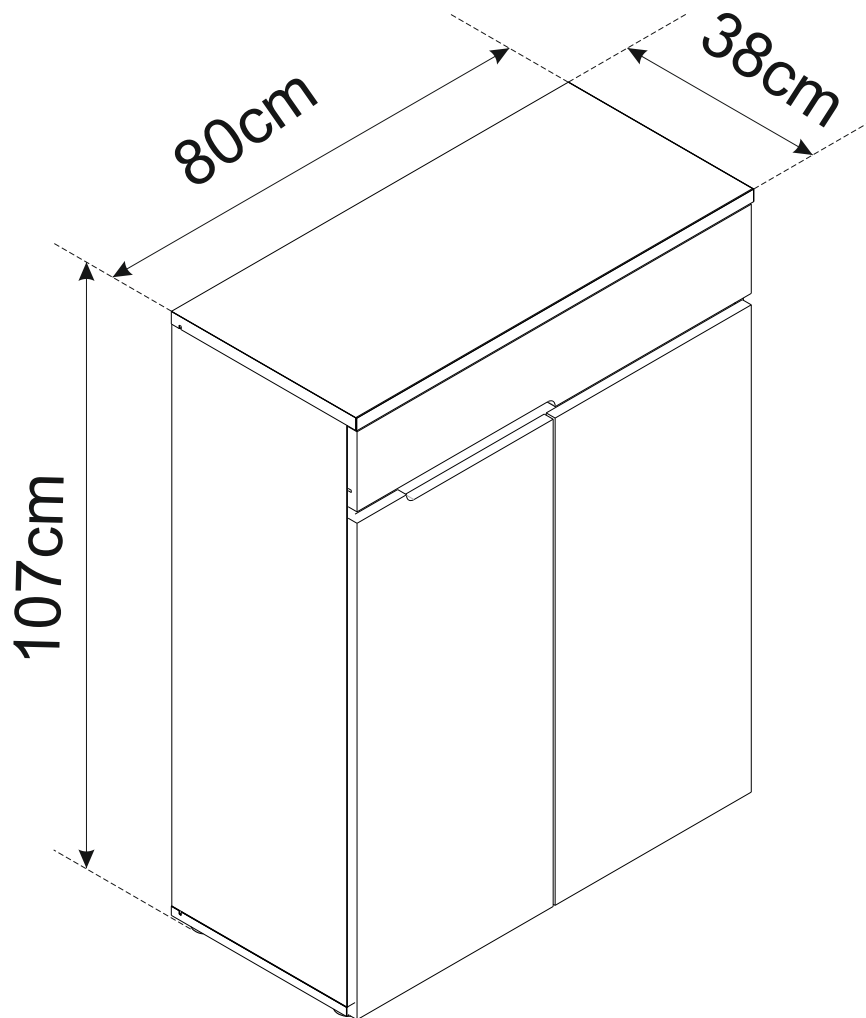
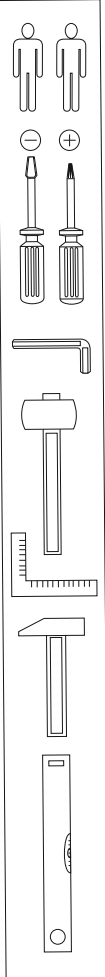


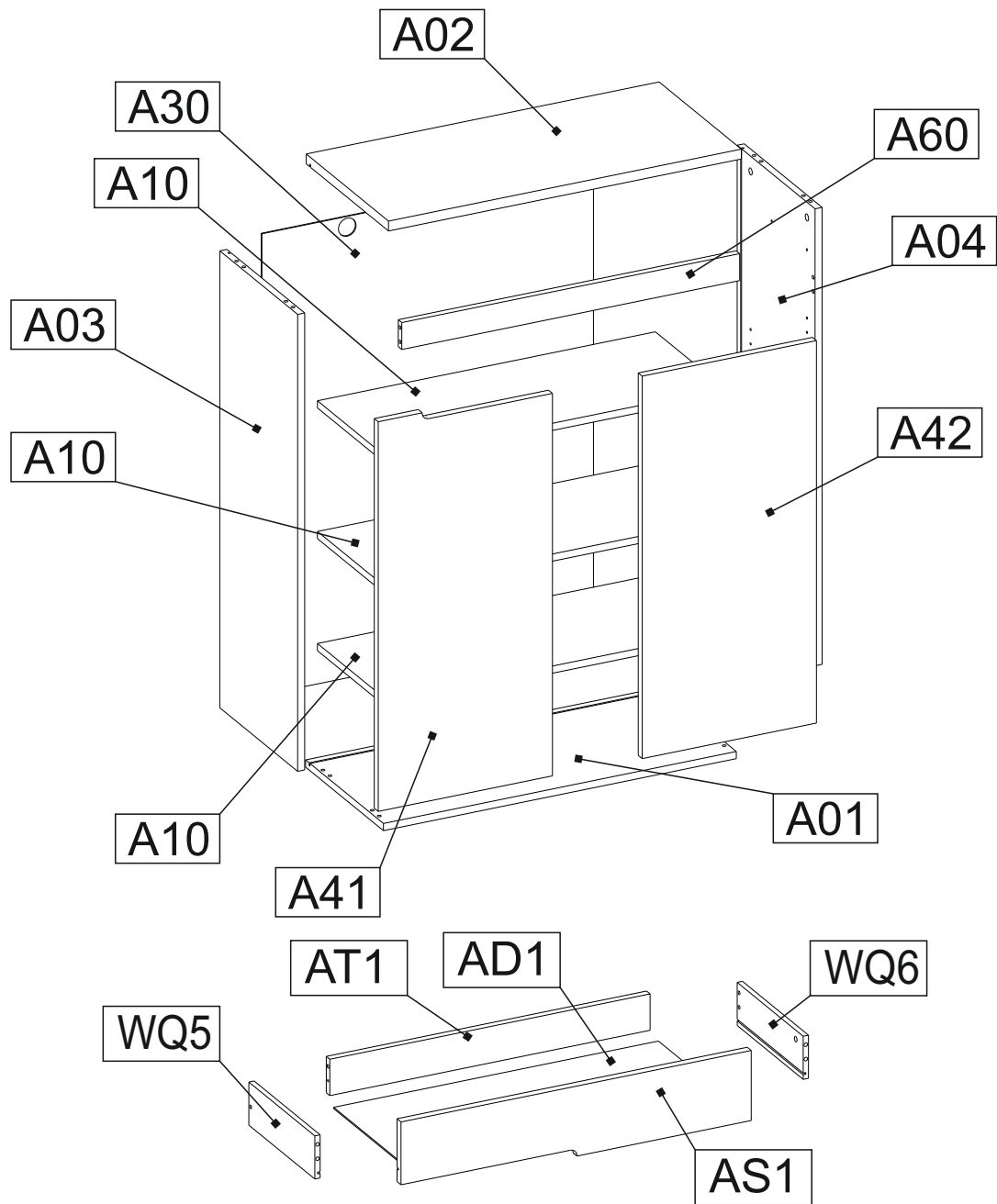
XXXXXXXXXX
..... serie: xxx
.....
Hergestellt für:
.....
.....



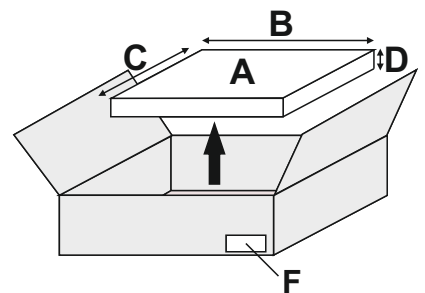
150 min



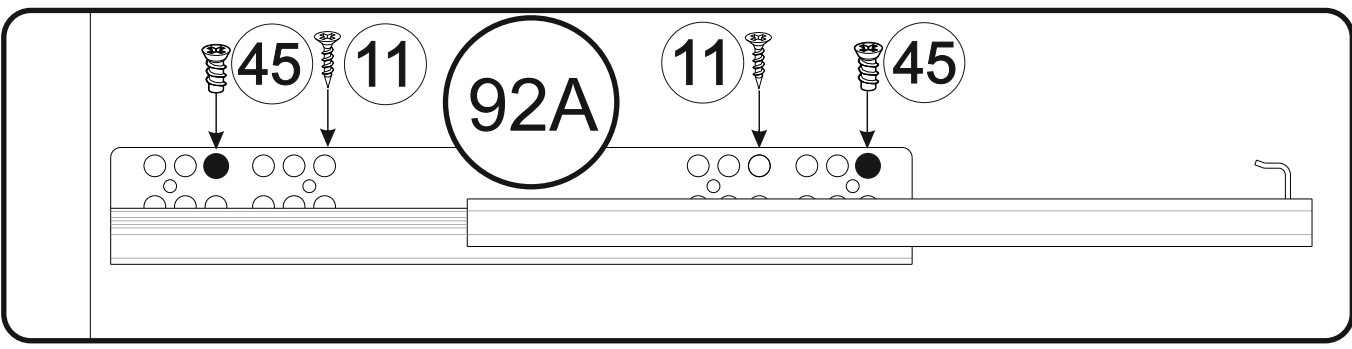
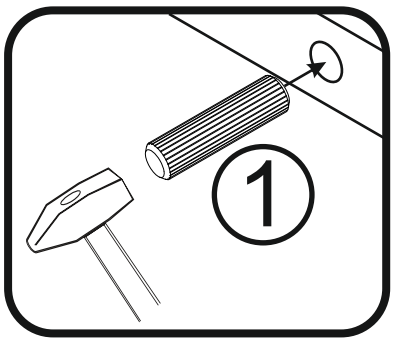
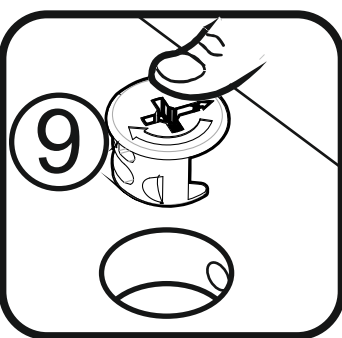
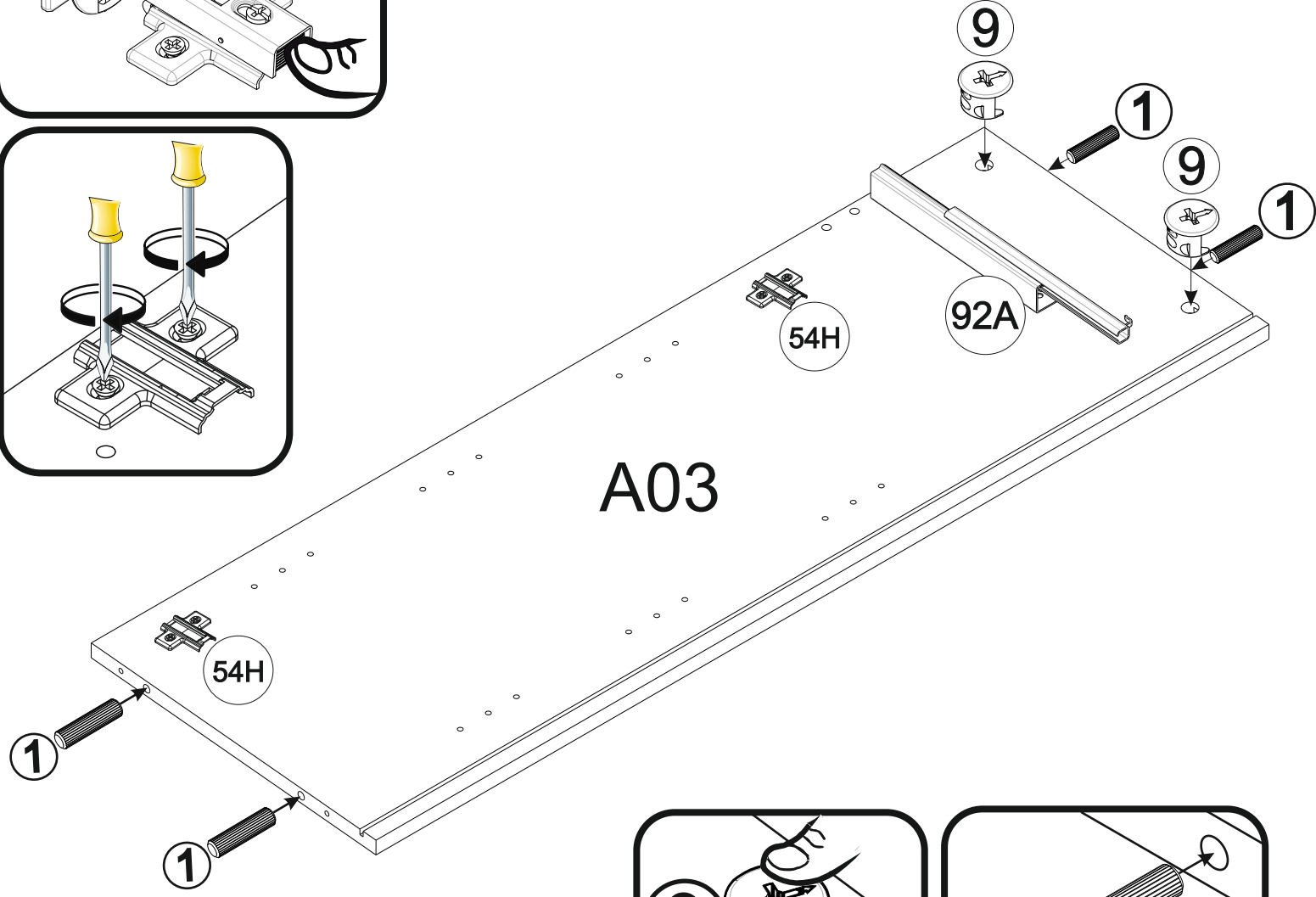
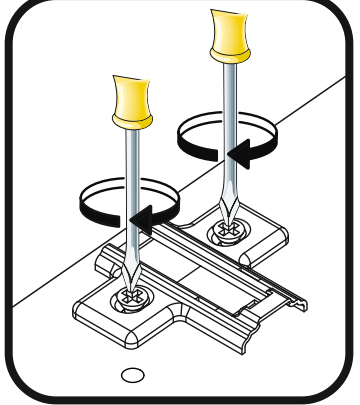
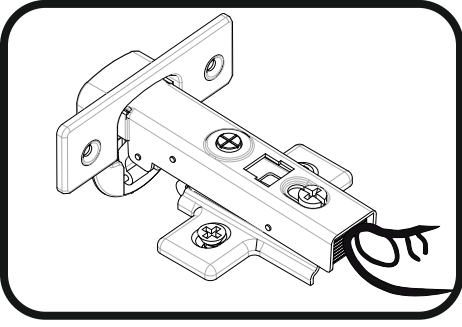
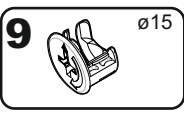
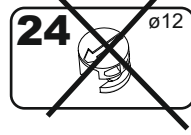
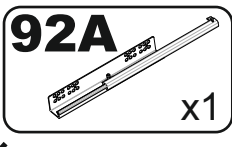
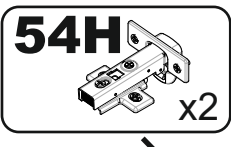
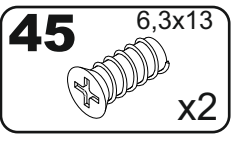
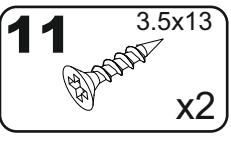
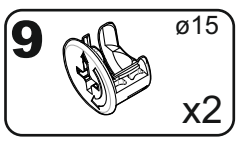
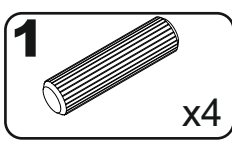




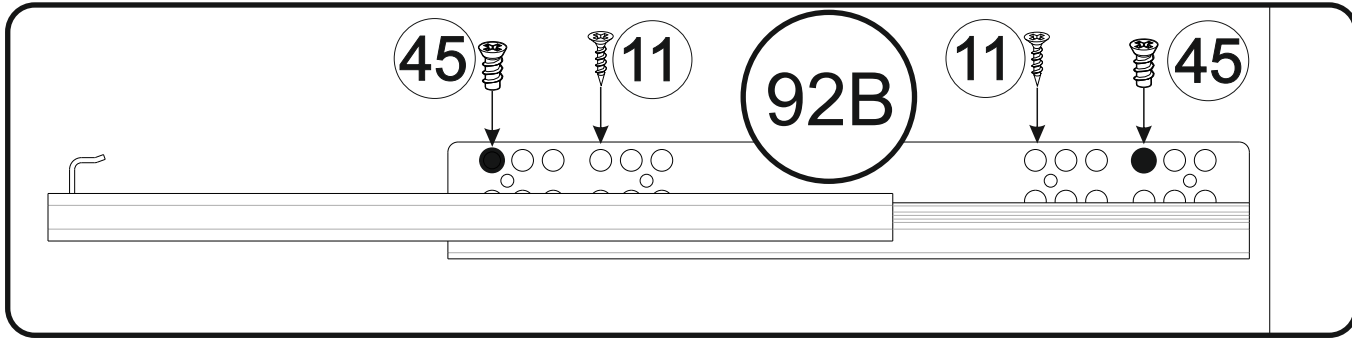
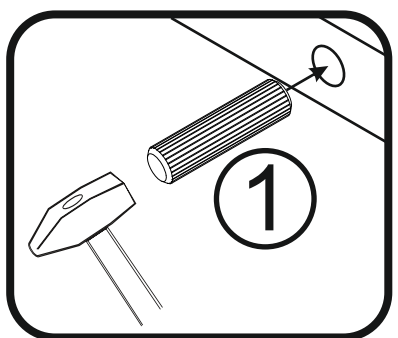
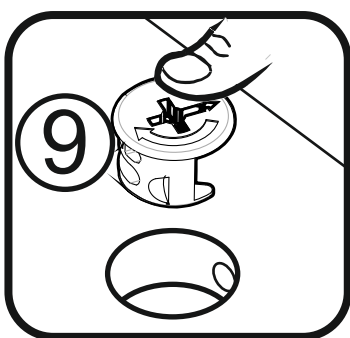
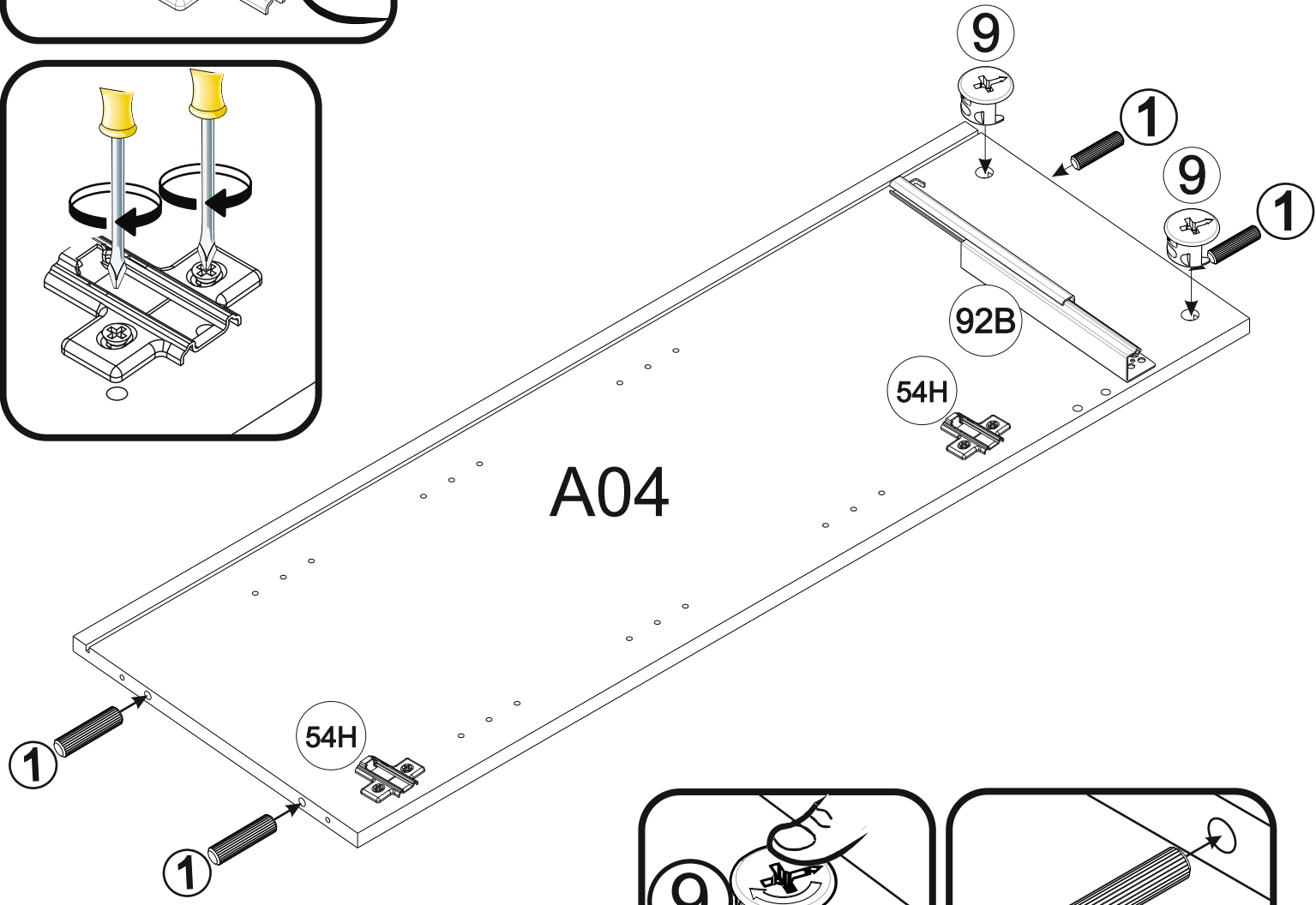
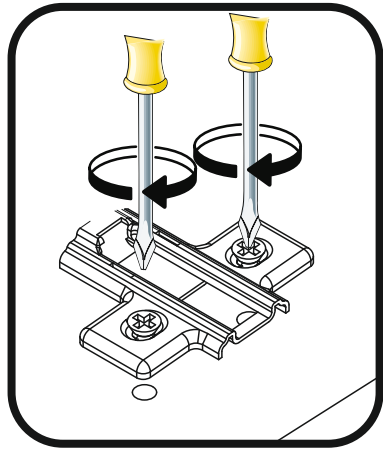
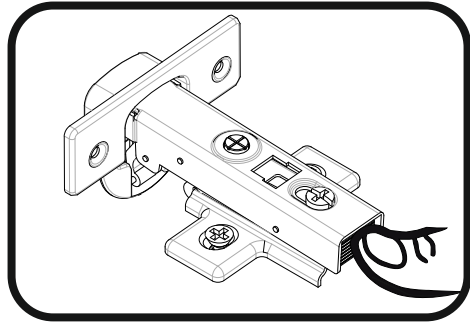
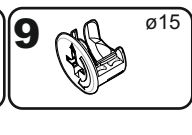
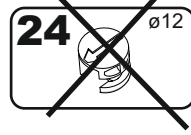
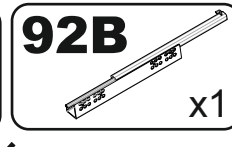
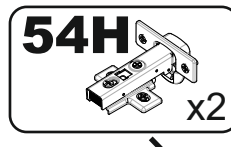
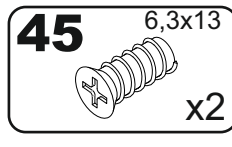
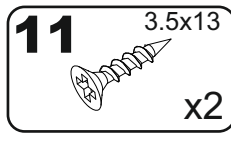
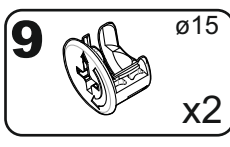
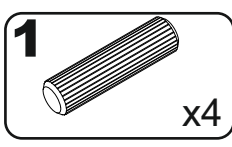
| A | B (mm) | C (mm) | D (mm) | E | F |
|-----|--------|--------|--------|---|-----|
| A01 | 802 | 358 | 16 | 1 | 1 2 |
| A02 | 802 | 380 | 22 | 1 | 1 2 |
| A03 | 1008 | 358 | 16 | 1 | 2 2 |
| A04 | 1008 | 358 | 16 | 1 | 2 2 |
| A10 | 768 | 318 | 16 | 3 | 1 2 |
| A30 | 1018 | 778 | 3 | 1 | 2 2 |
| A41 | 396 | 858 | 18 | 1 | 2 2 |
| A42 | 396 | 842 | 18 | 1 | 2 2 |
| A60 | 768 | 60 | 16 | 1 | 1 2 |
| AD1 | 738 | 303 | 3 | 1 | 1 2 |
| AS1 | 796 | 156 | 18 | 1 | 1 2 |
| AT1 | 728 | 81 | 16 | 1 | 1 2 |
| WQ5 | 300 | 96 | 12 | 1 | 2 2 |
| WQ6 | 300 | 96 | 12 | 1 | 2 2 |



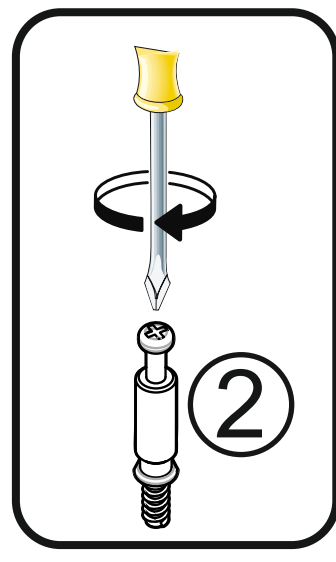
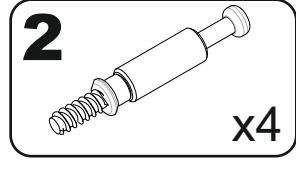
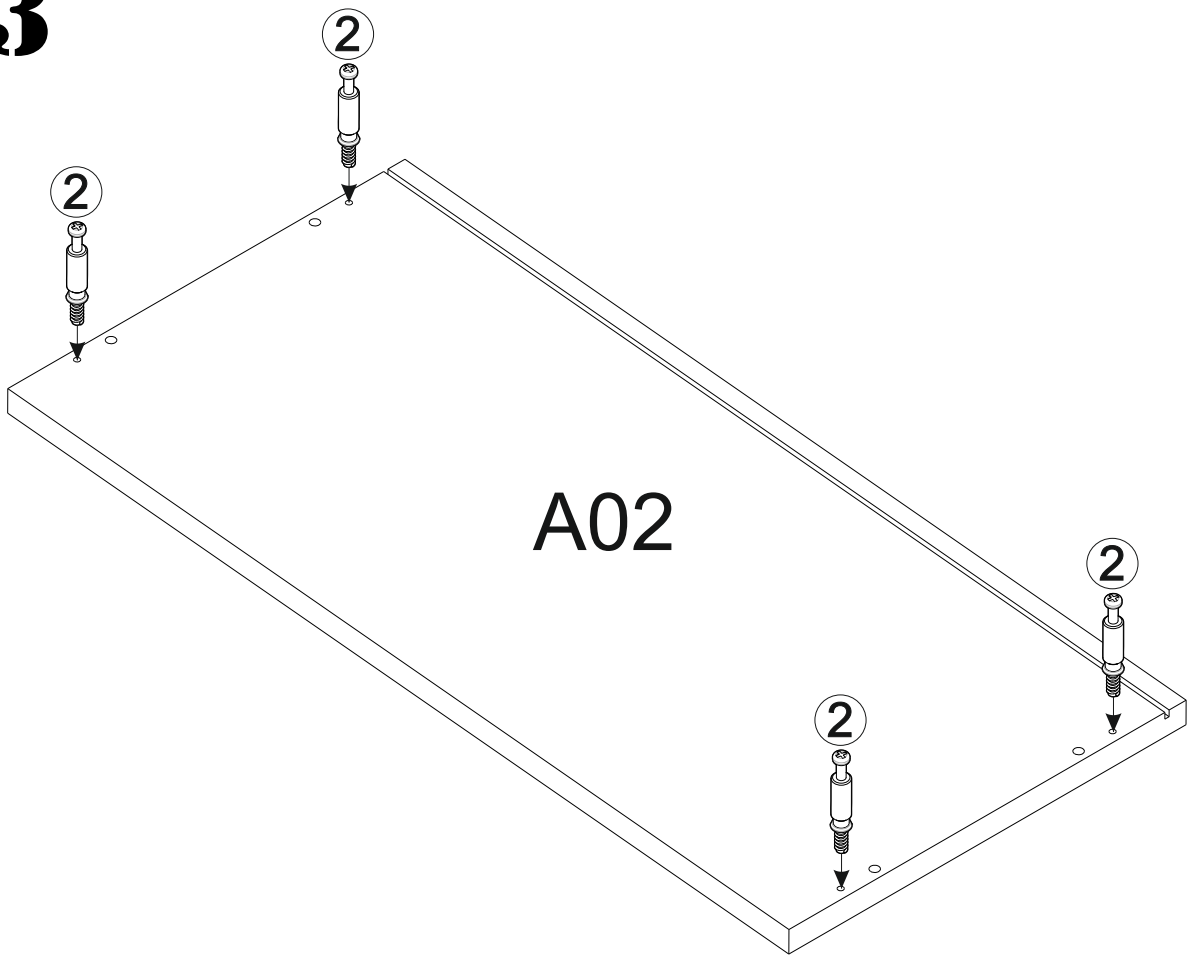
I



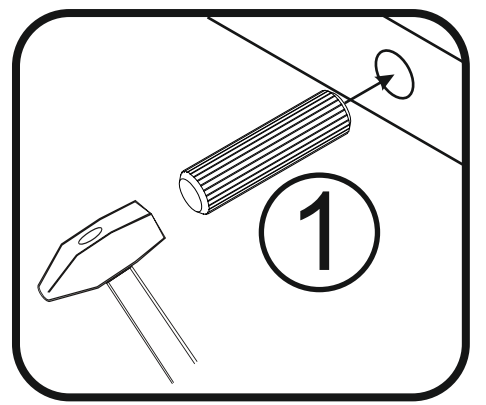
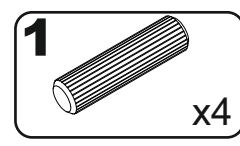
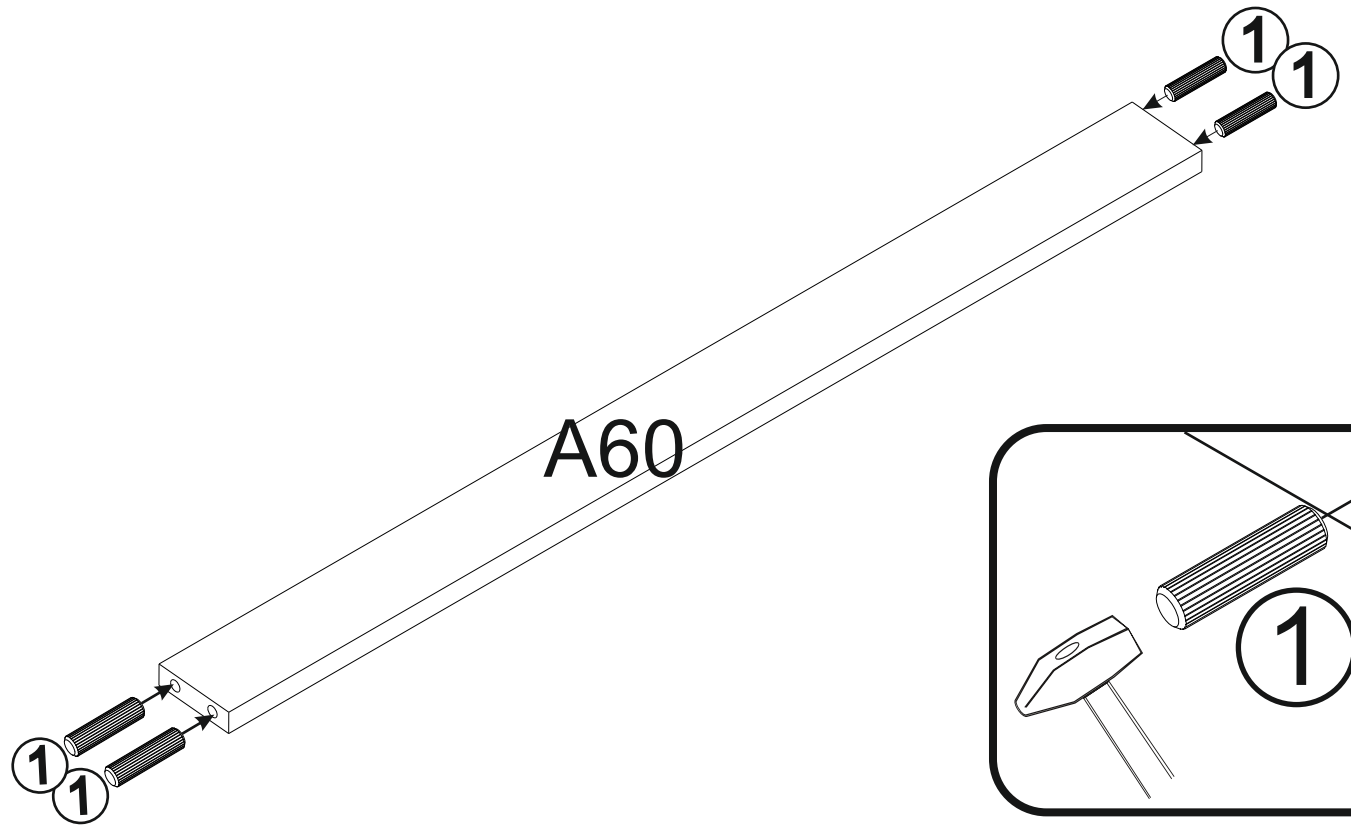
2



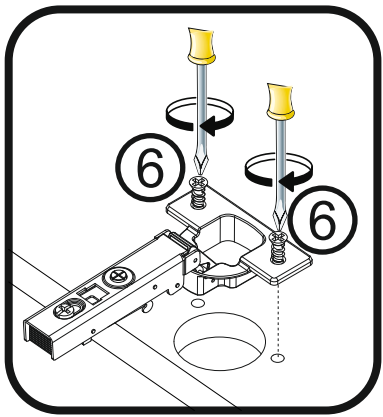
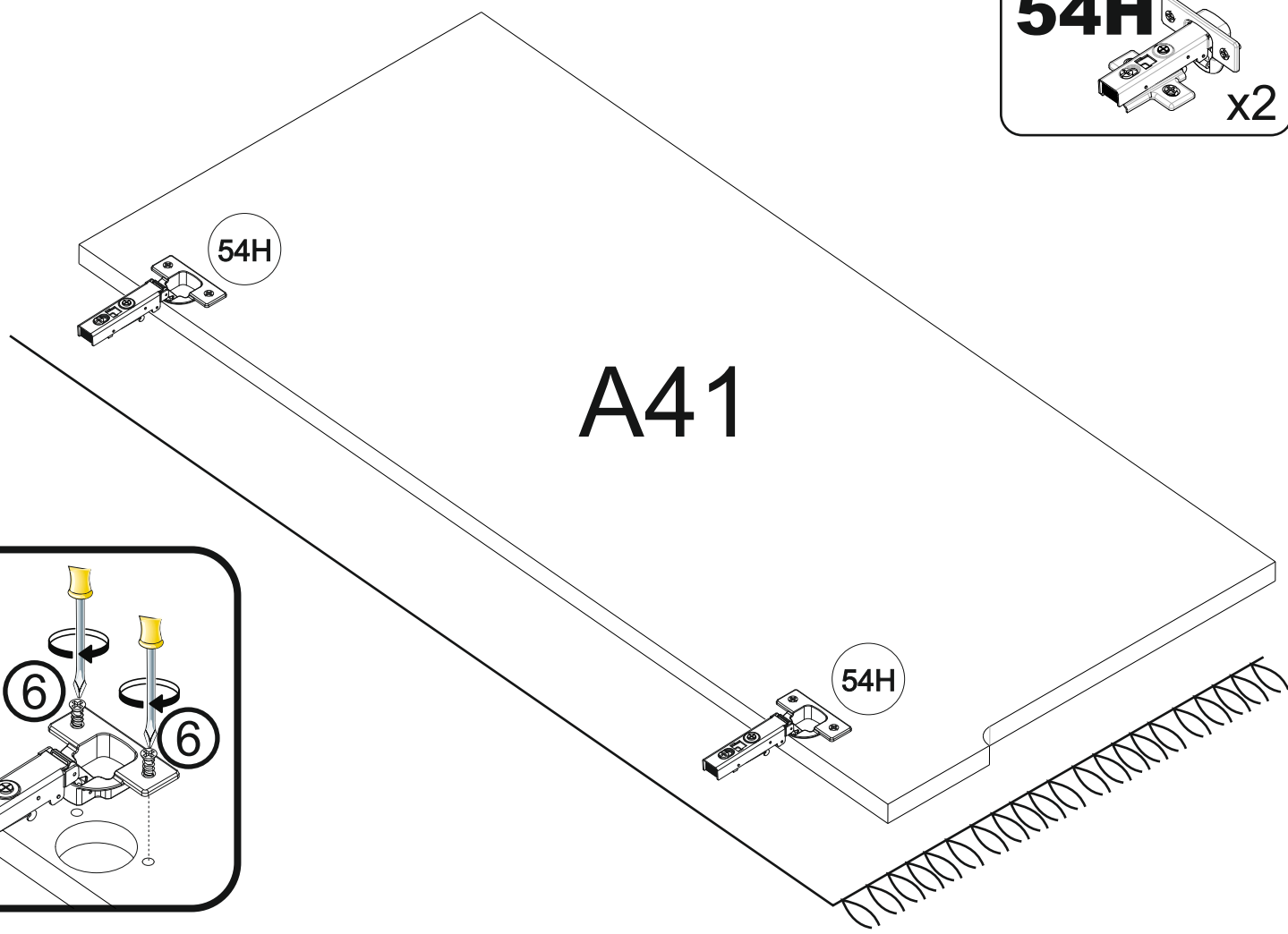
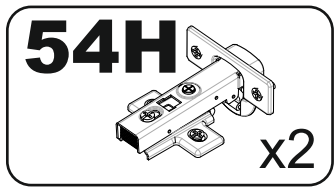
3



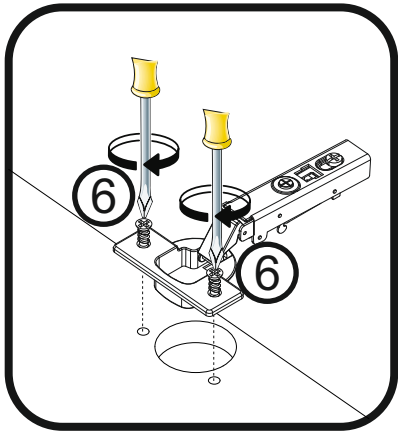
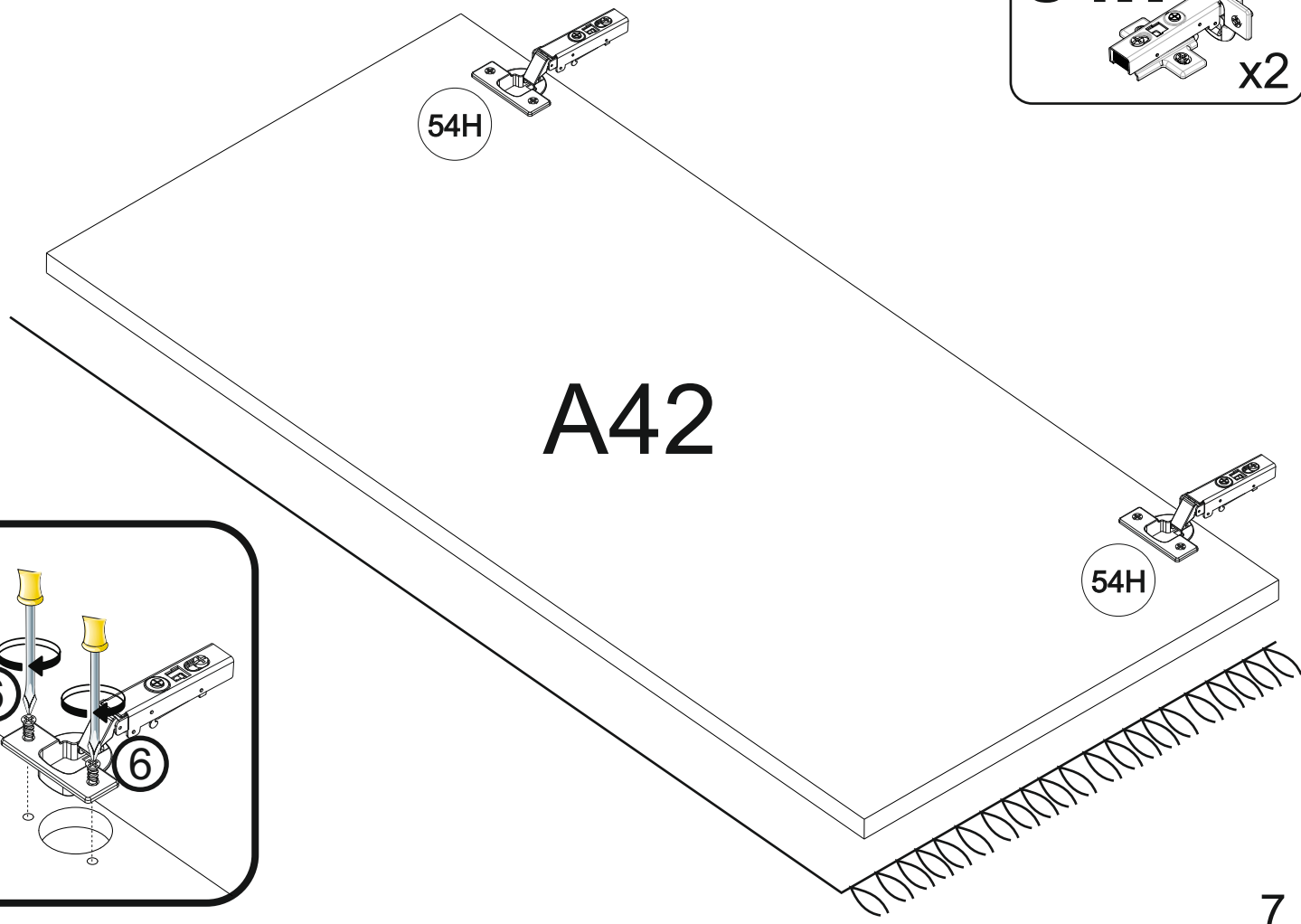
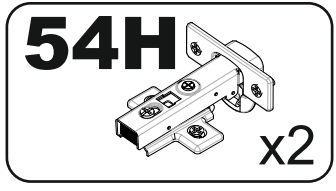
4

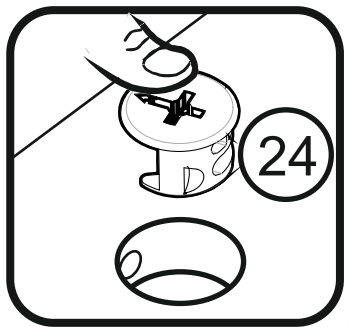
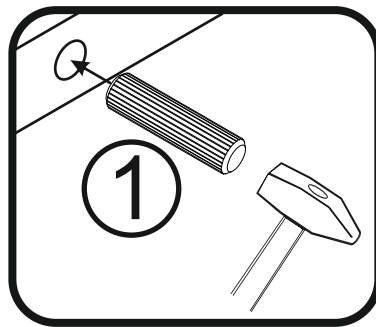
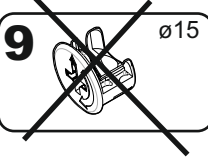
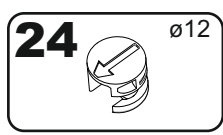
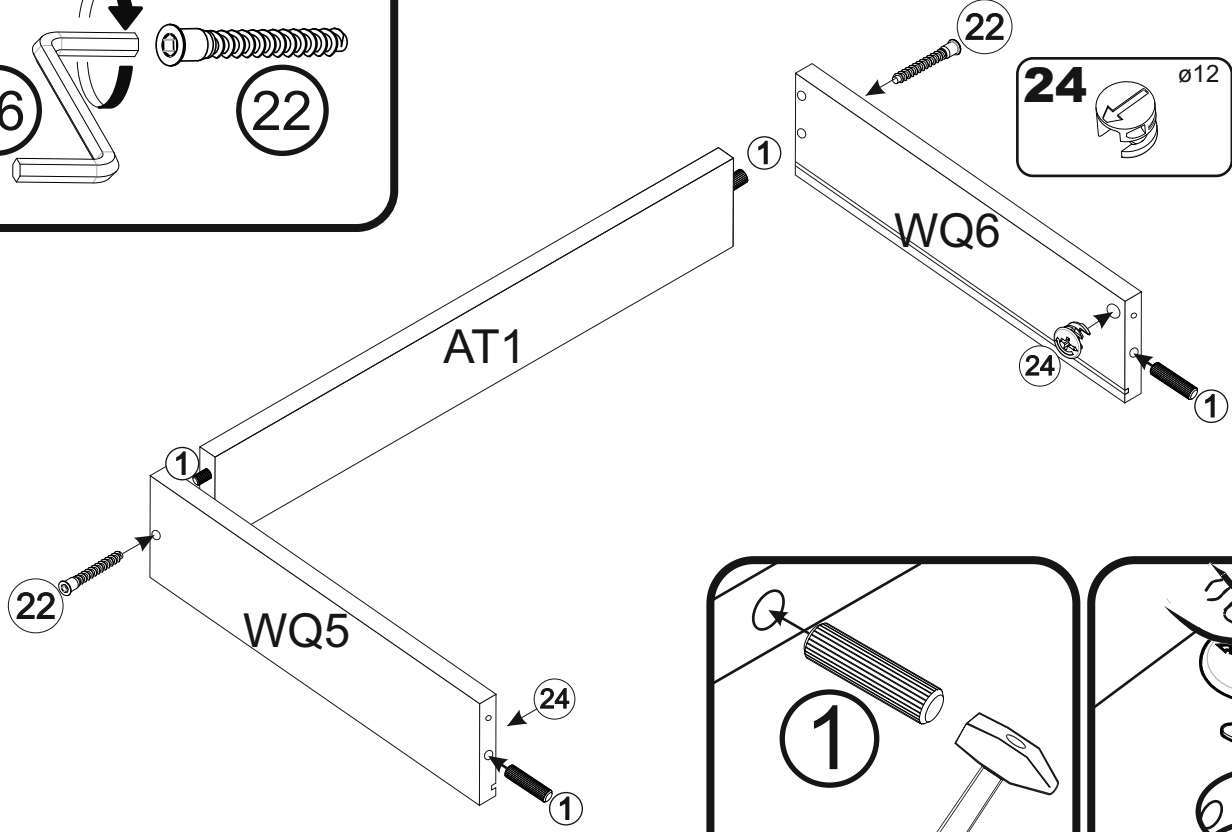
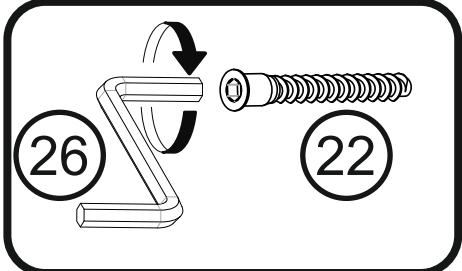
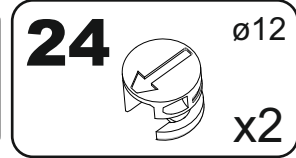
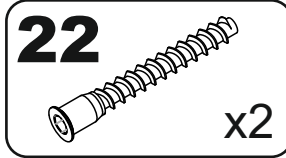
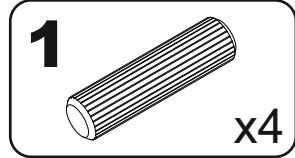
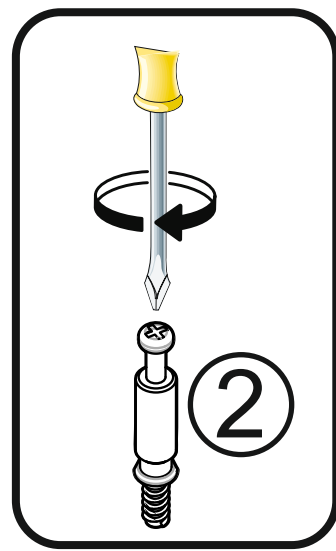
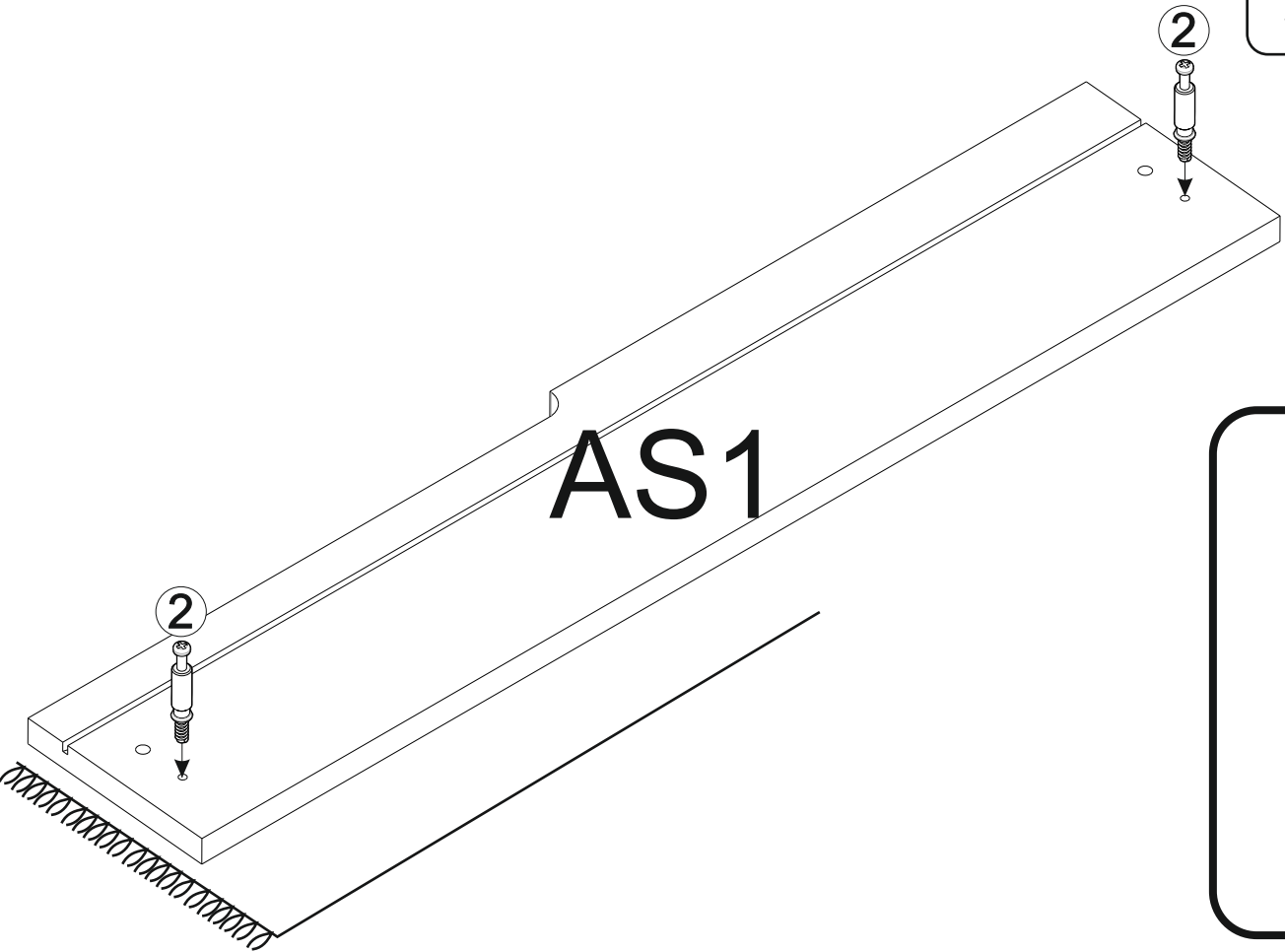
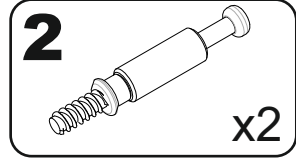


5

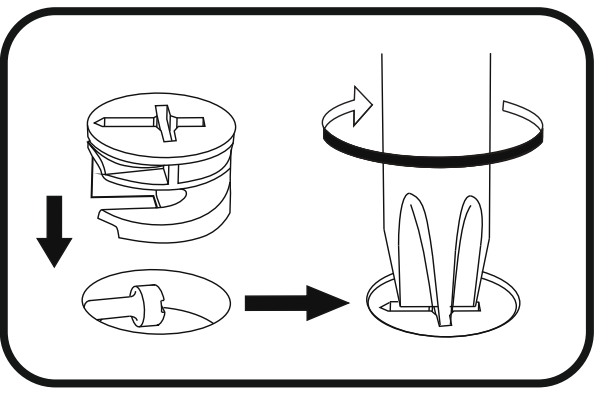
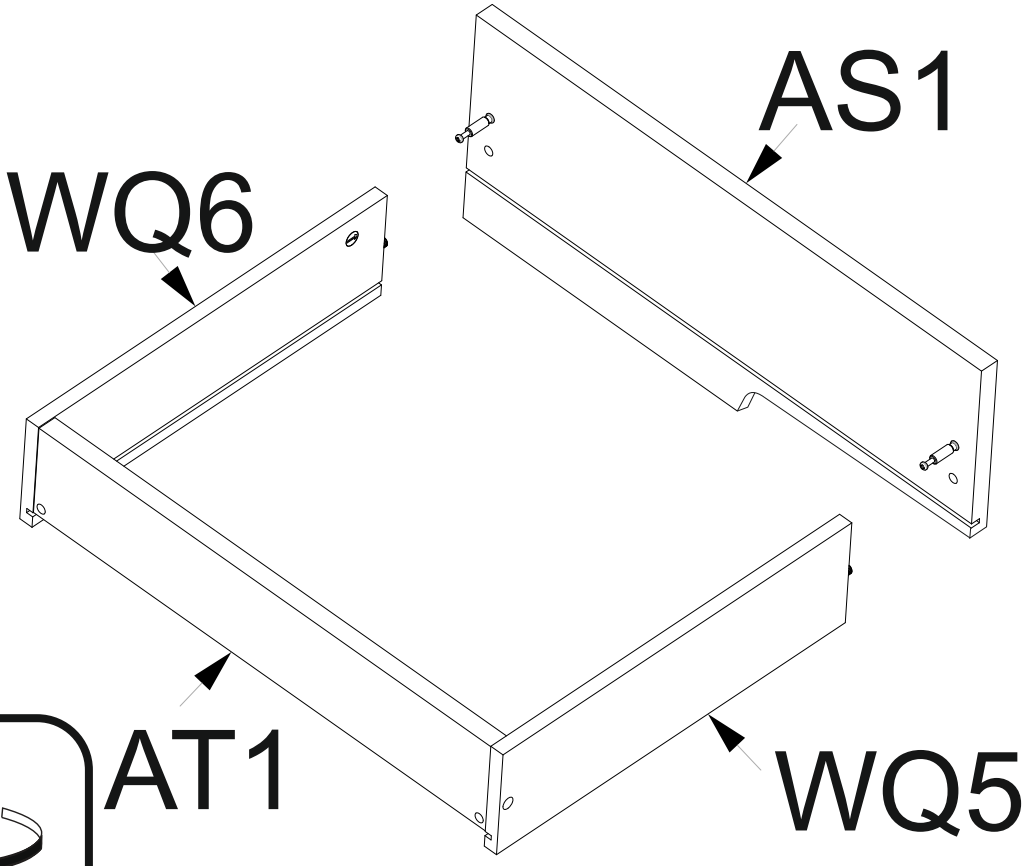


6

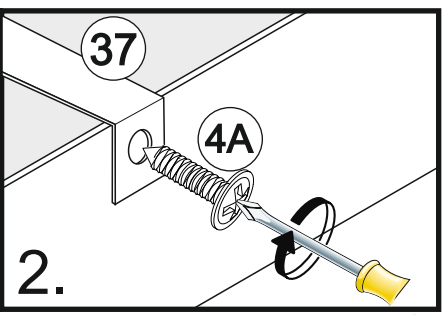
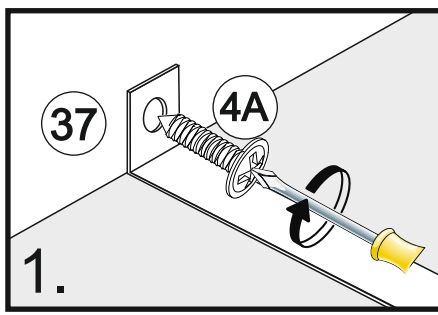
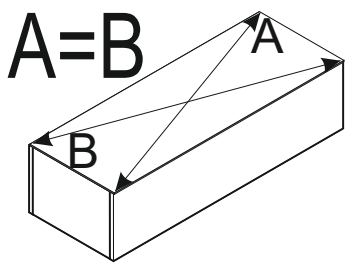
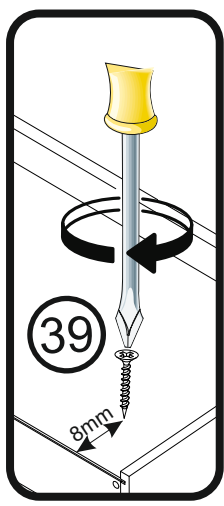
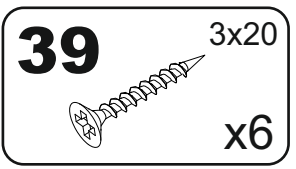
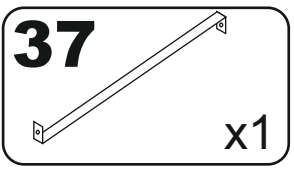
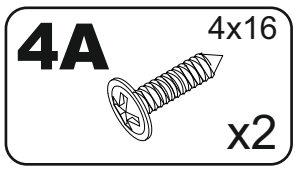
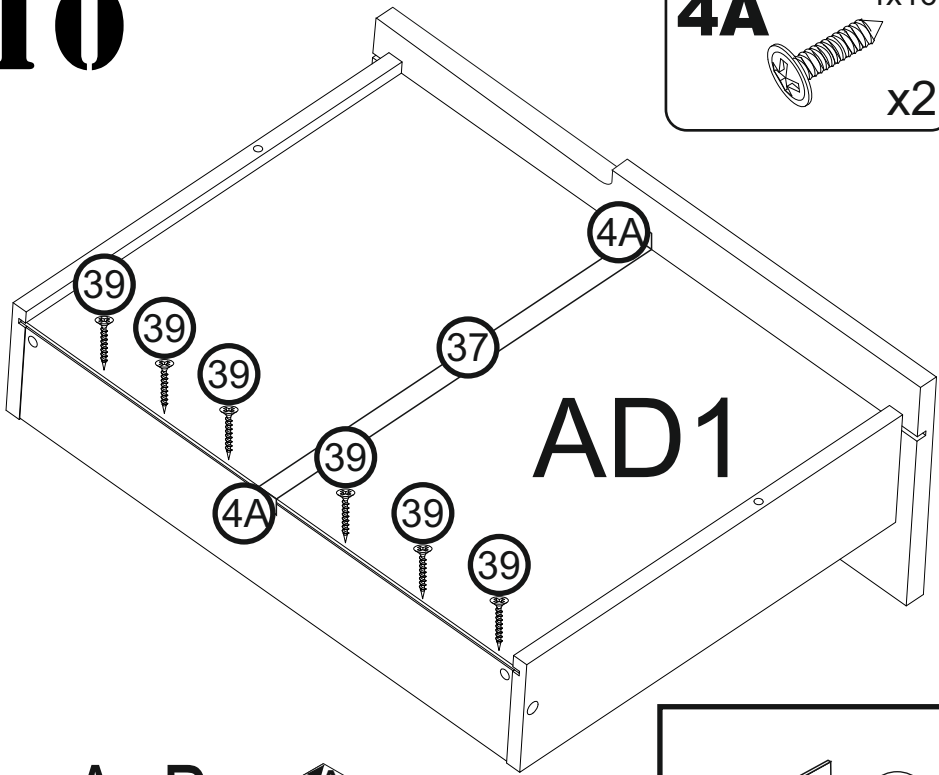




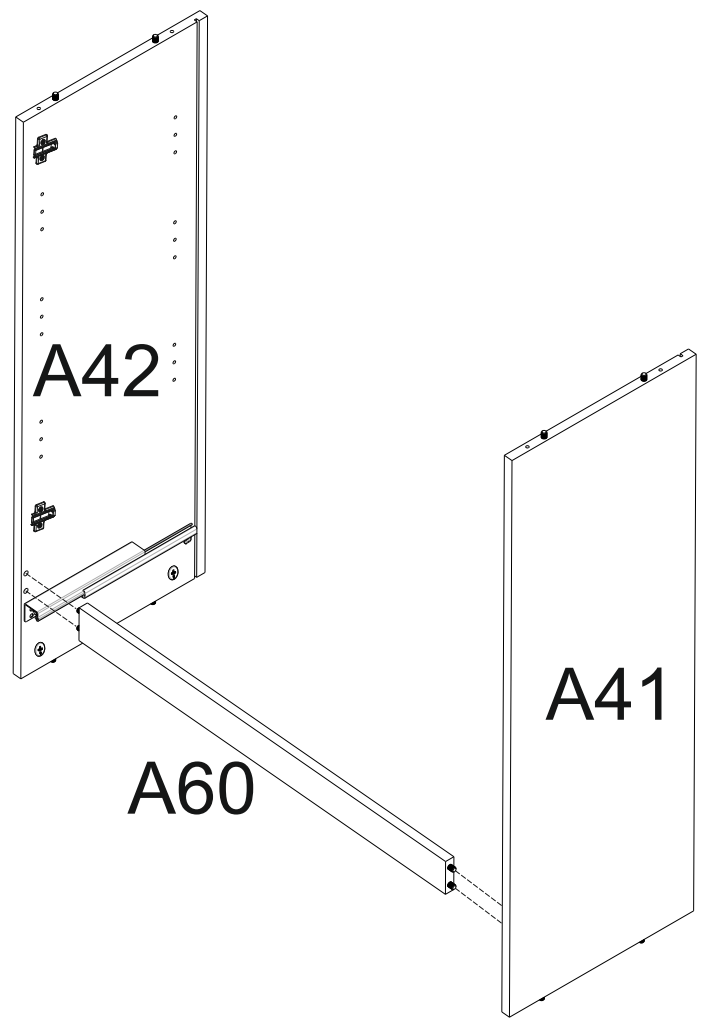
9



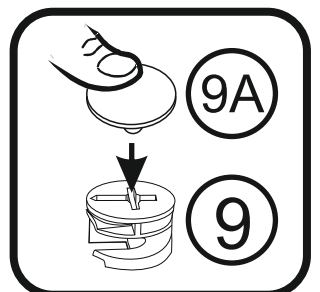
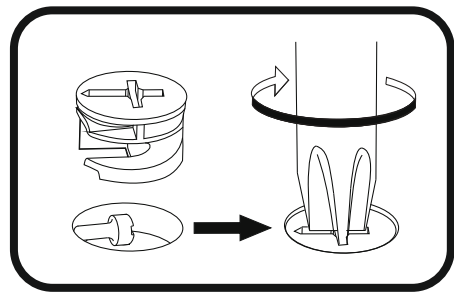
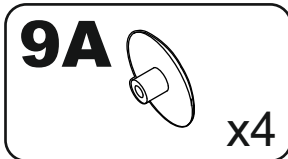
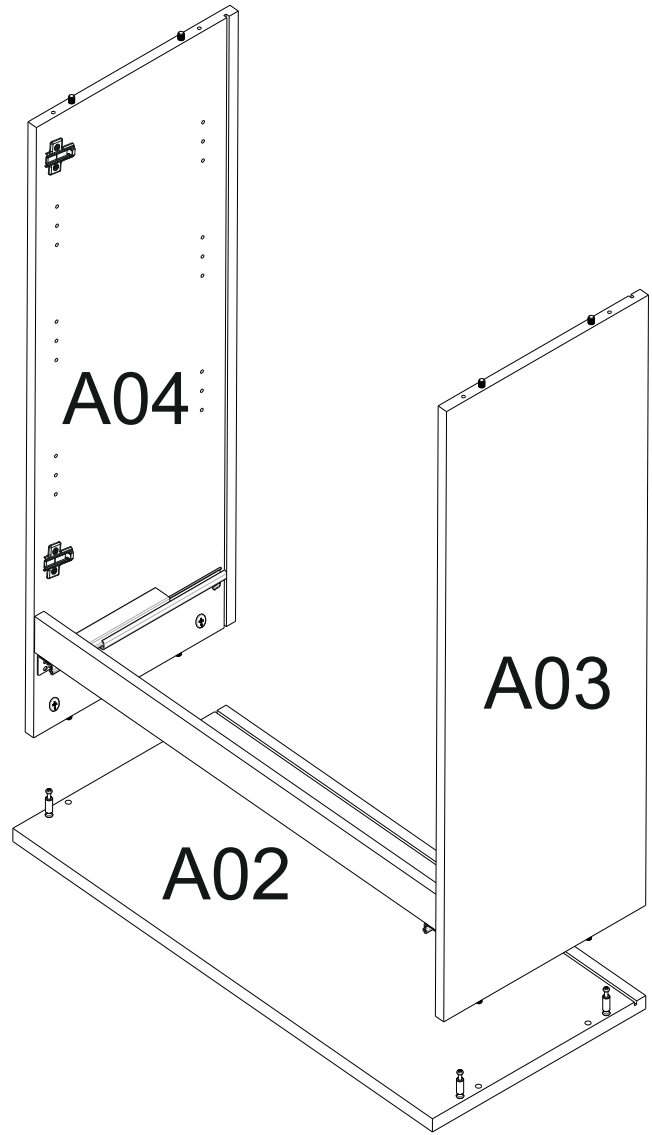
10



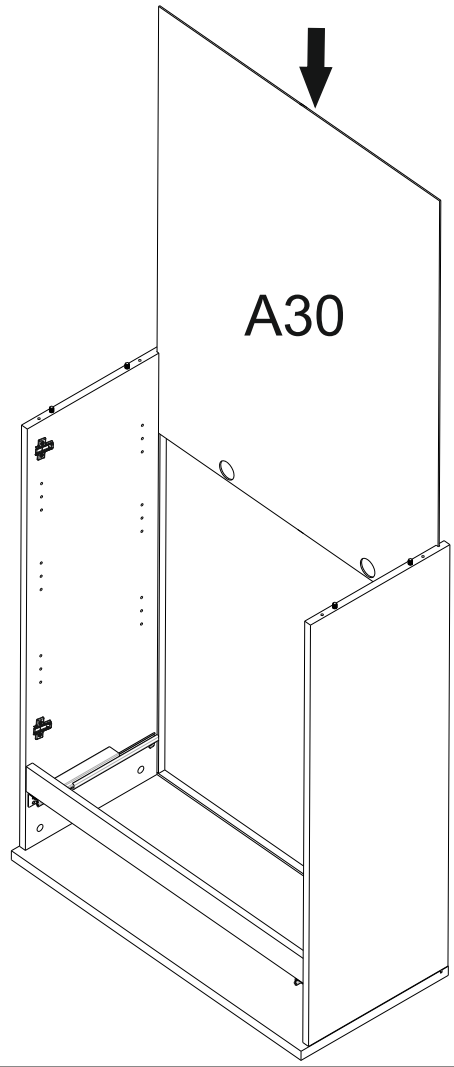
11



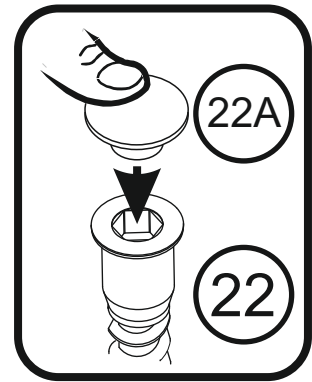
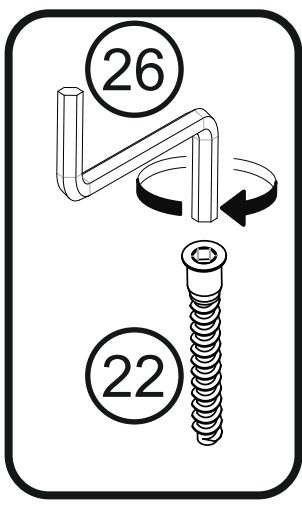
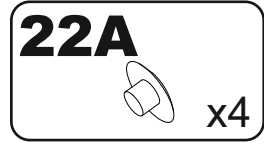
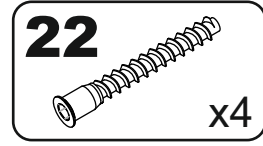
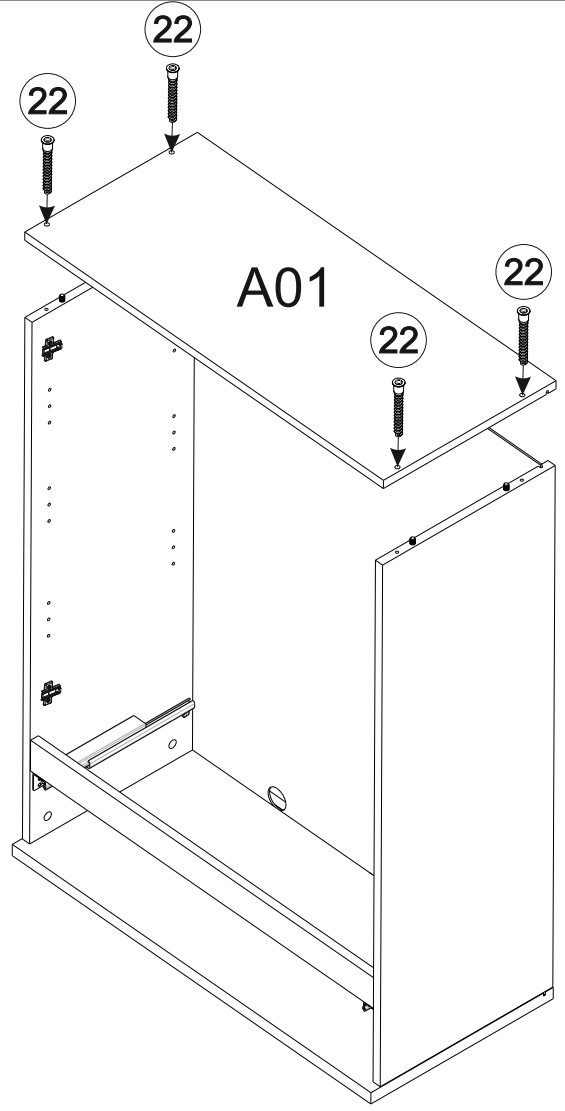
12



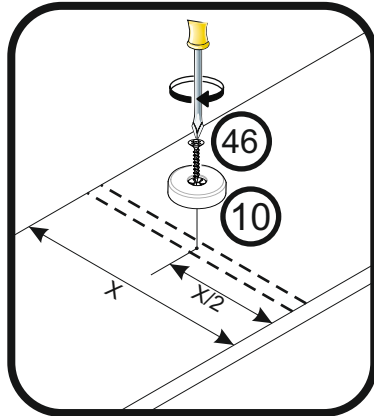
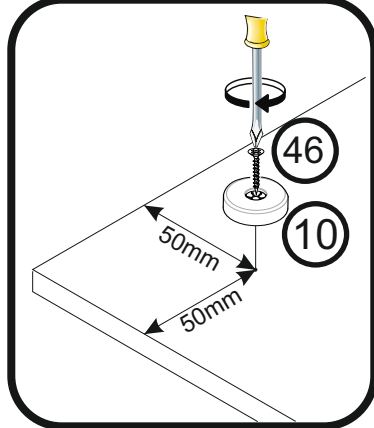
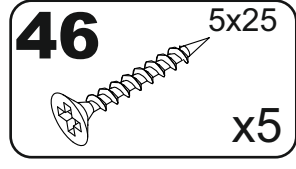
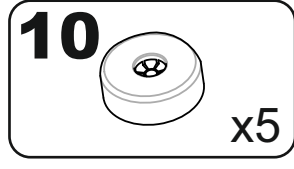
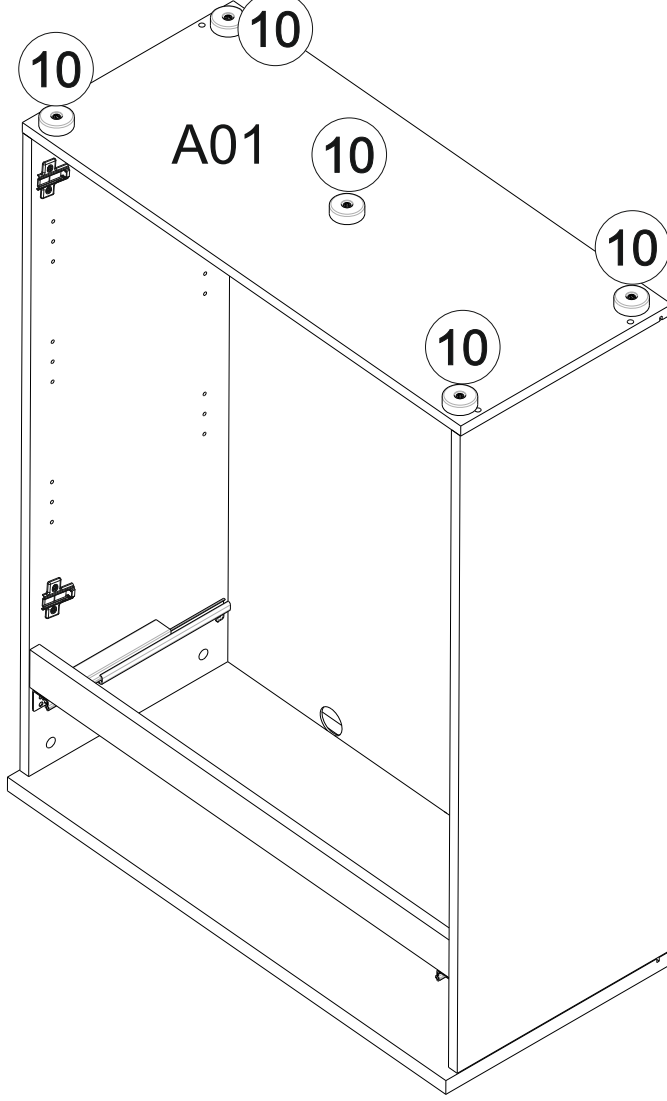
13



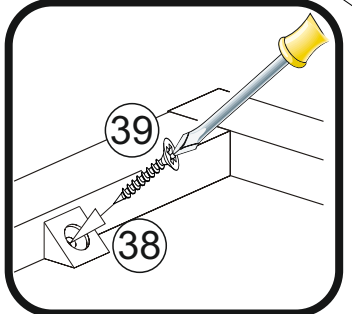
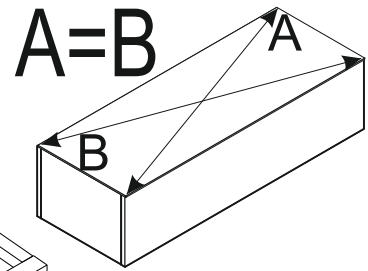
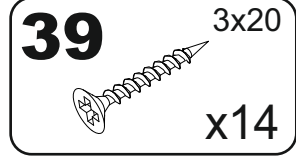
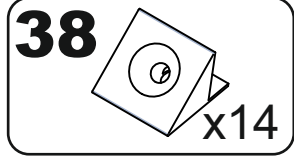
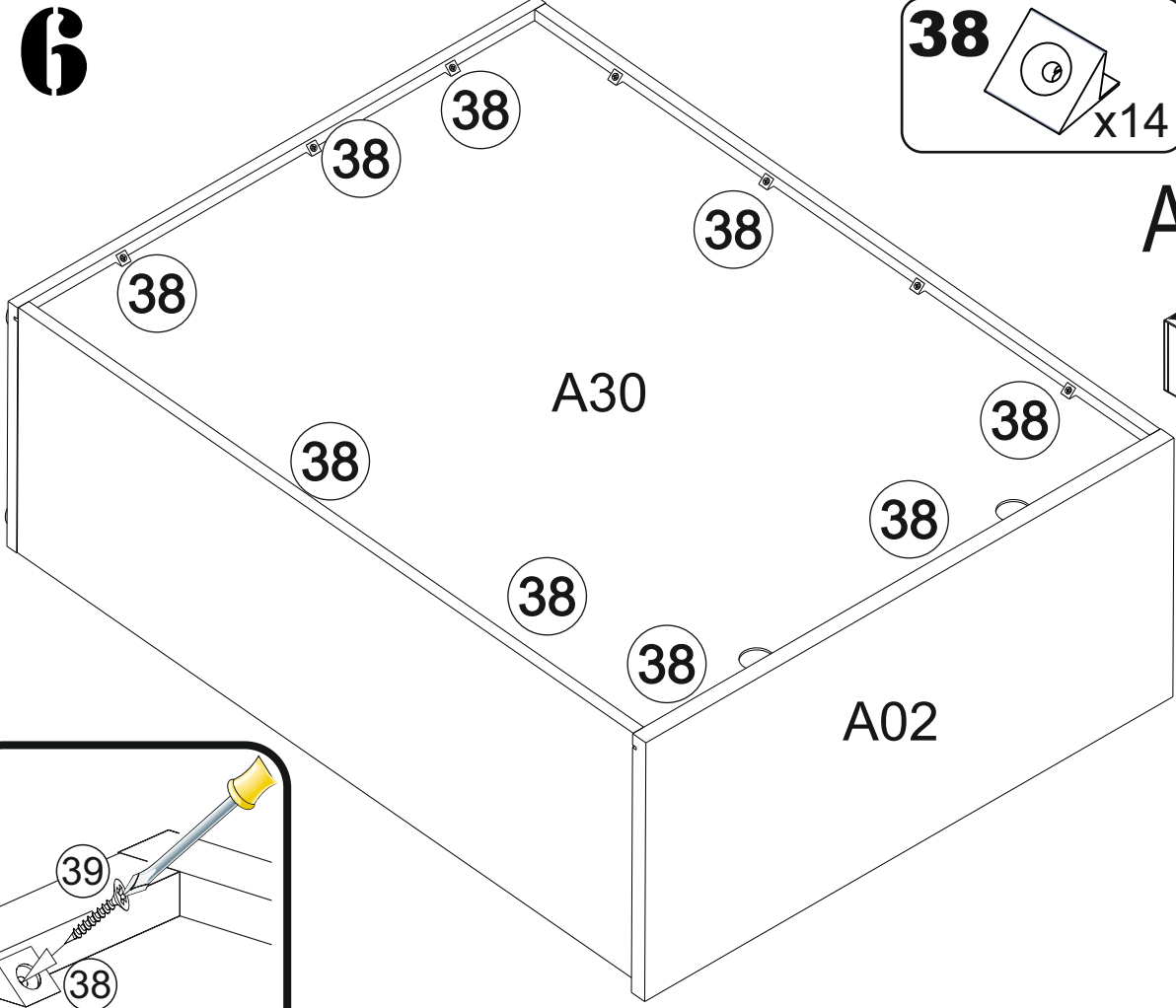
14



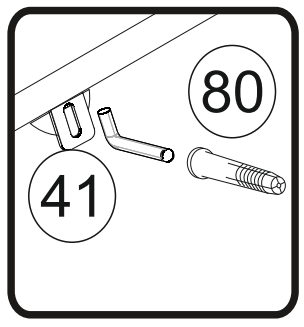
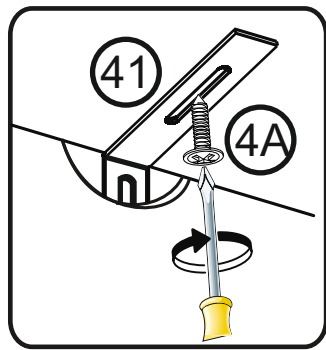
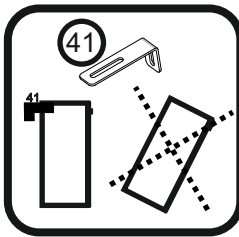
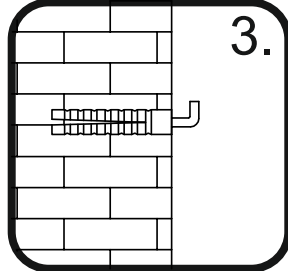
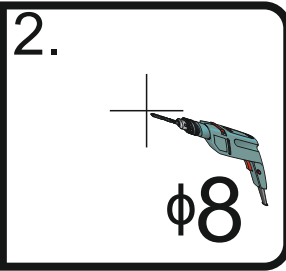
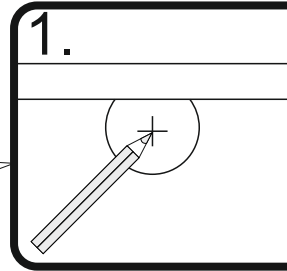
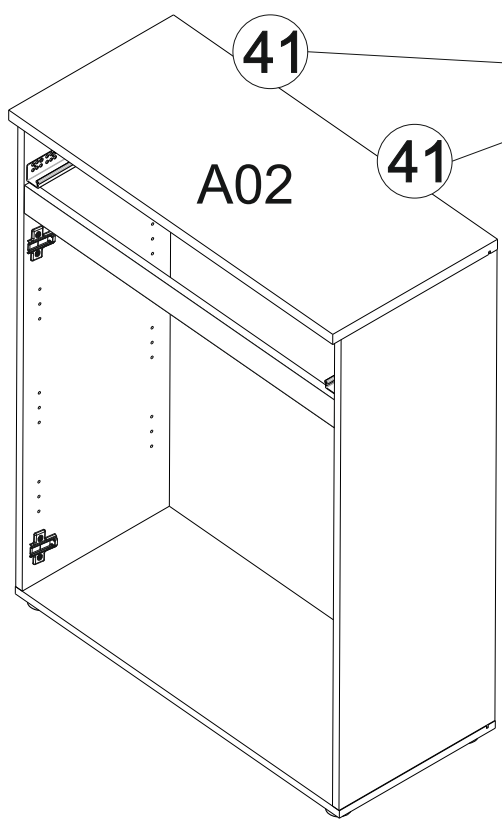
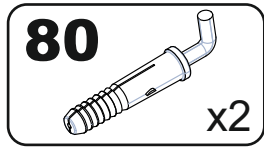
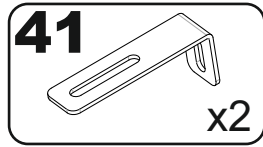
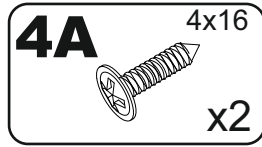
15



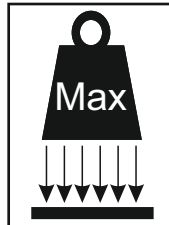
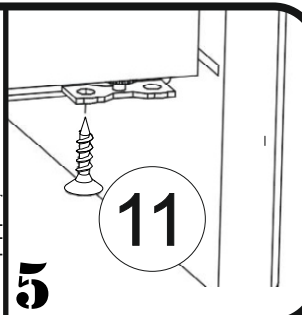
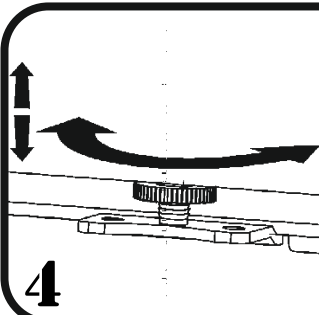
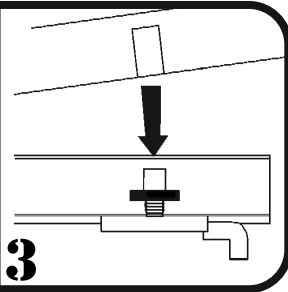
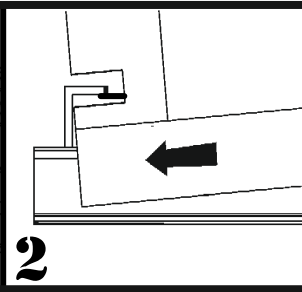
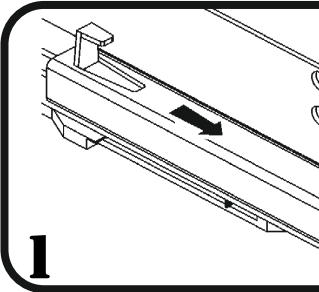
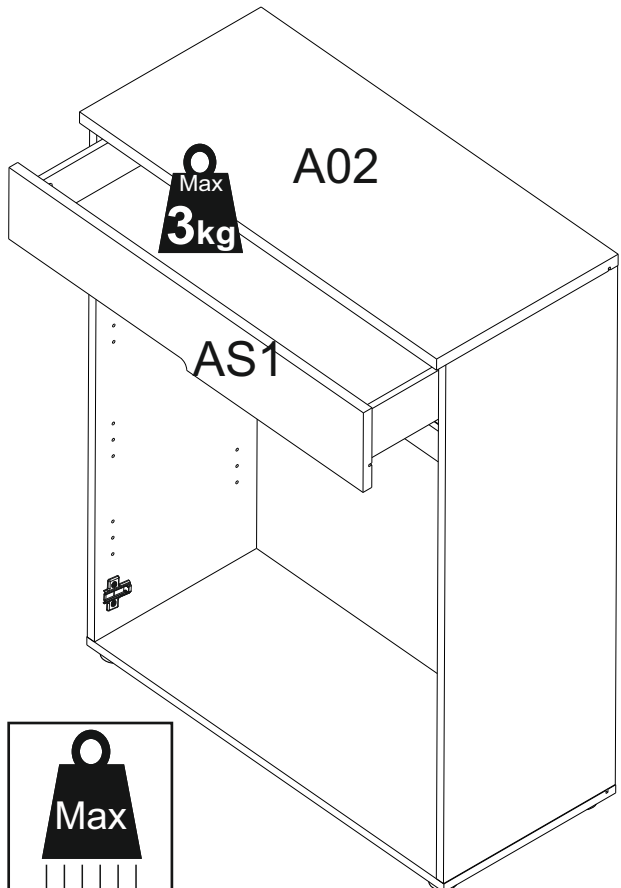
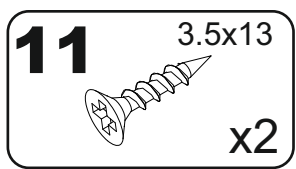
16



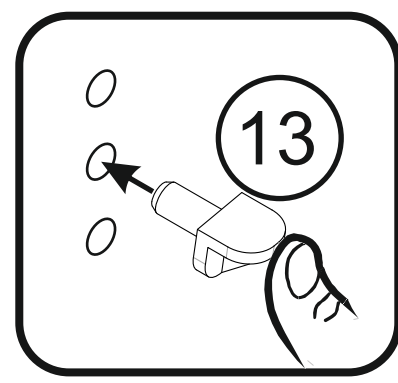
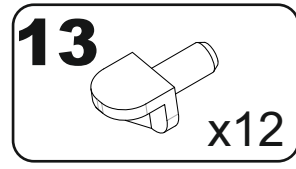
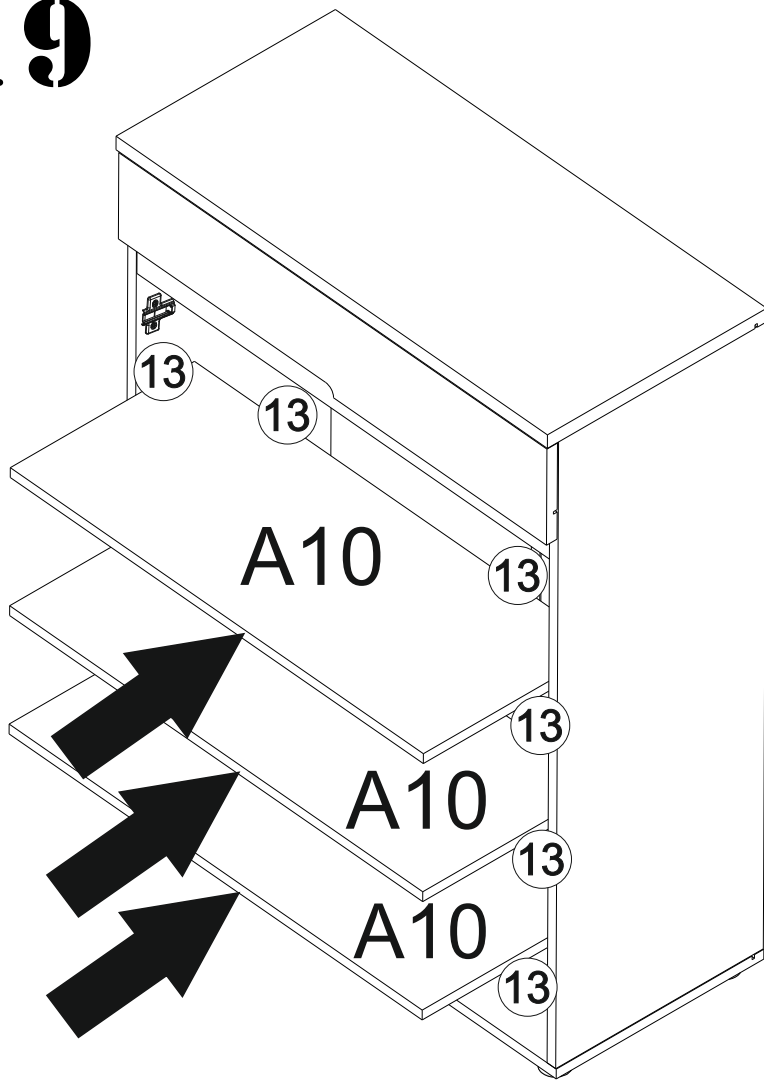
17



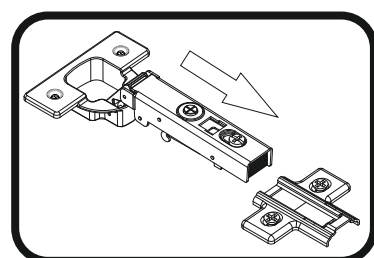
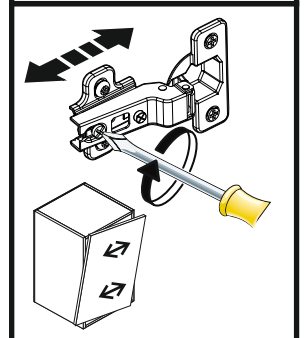
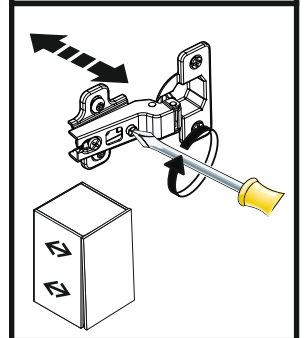
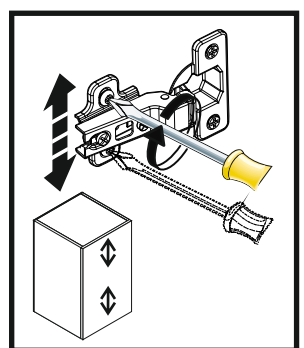
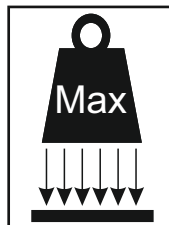
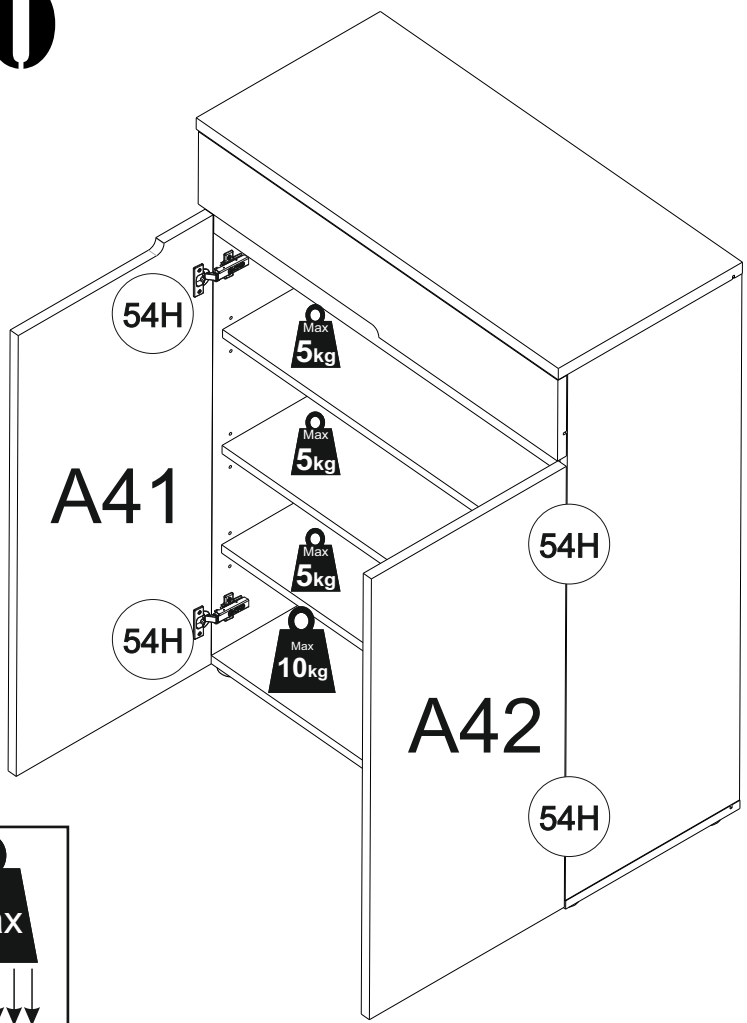
18

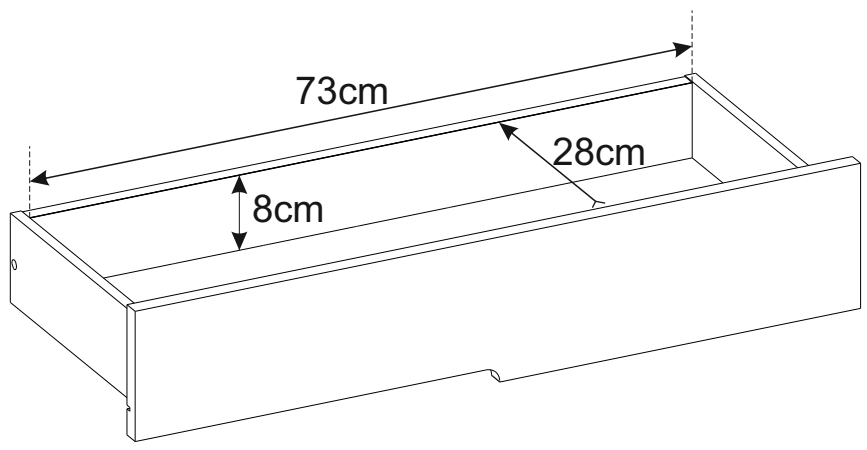
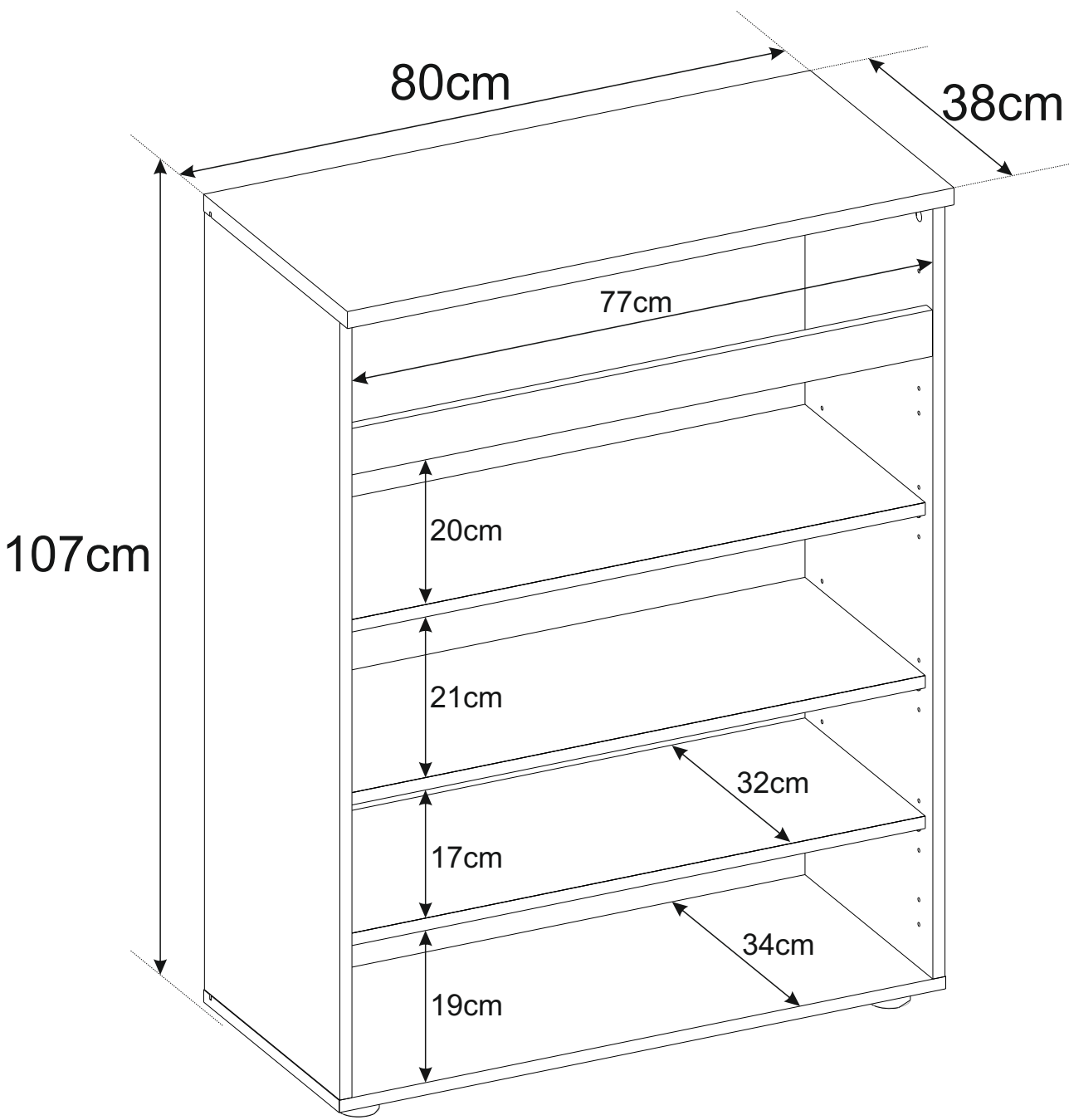


19



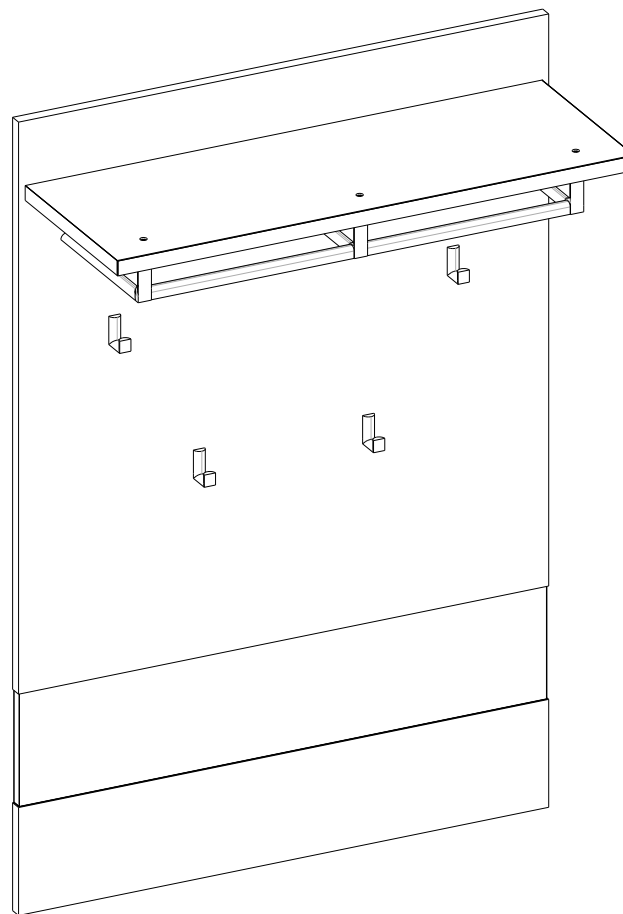
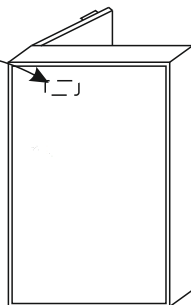
20



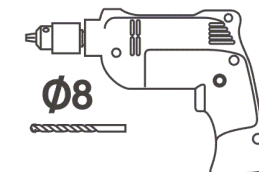
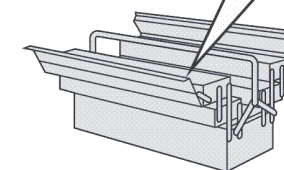
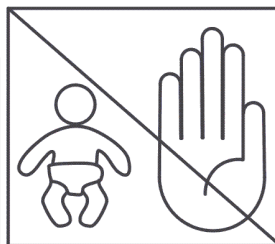
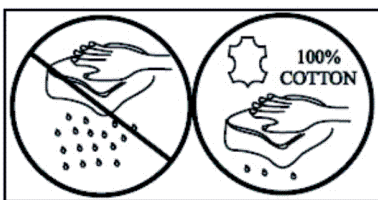
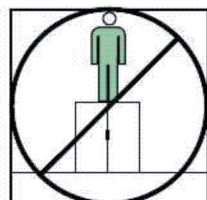
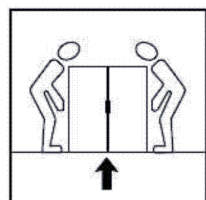
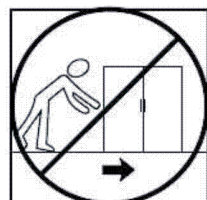
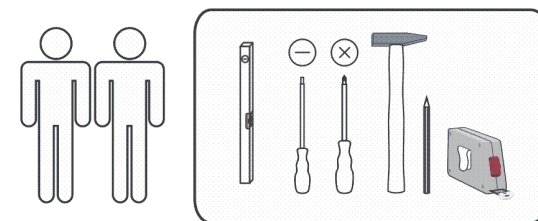
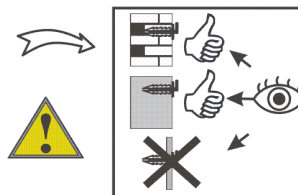
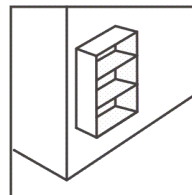
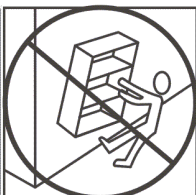
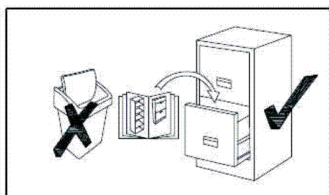
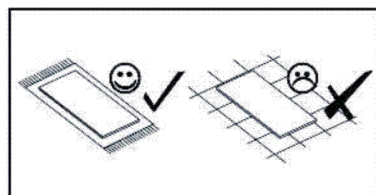


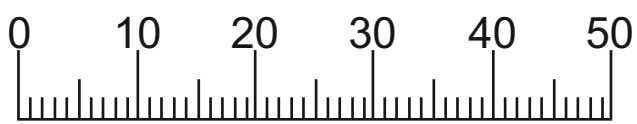
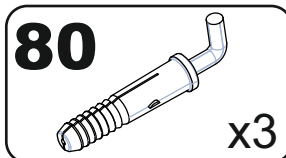
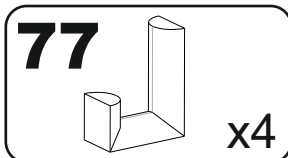
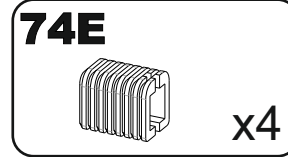
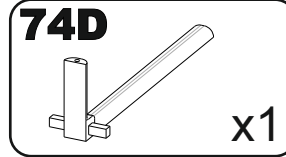
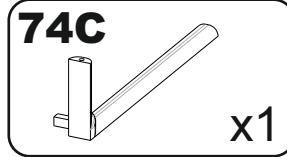
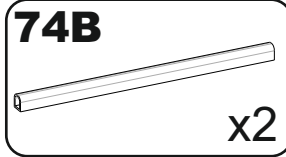
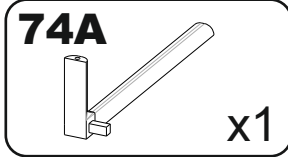
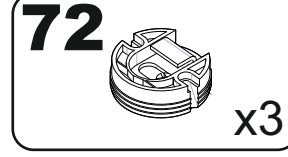
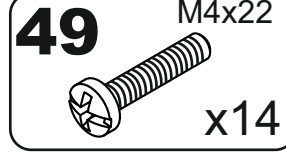
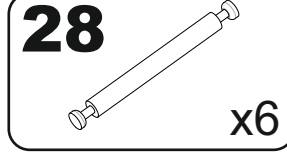
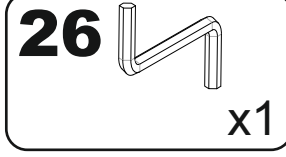
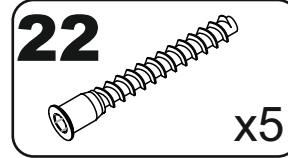
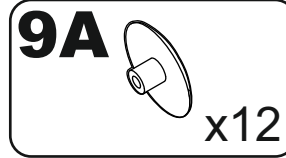
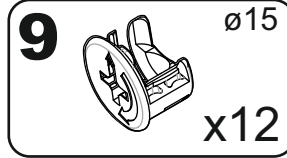
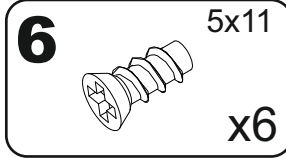
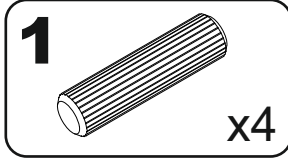
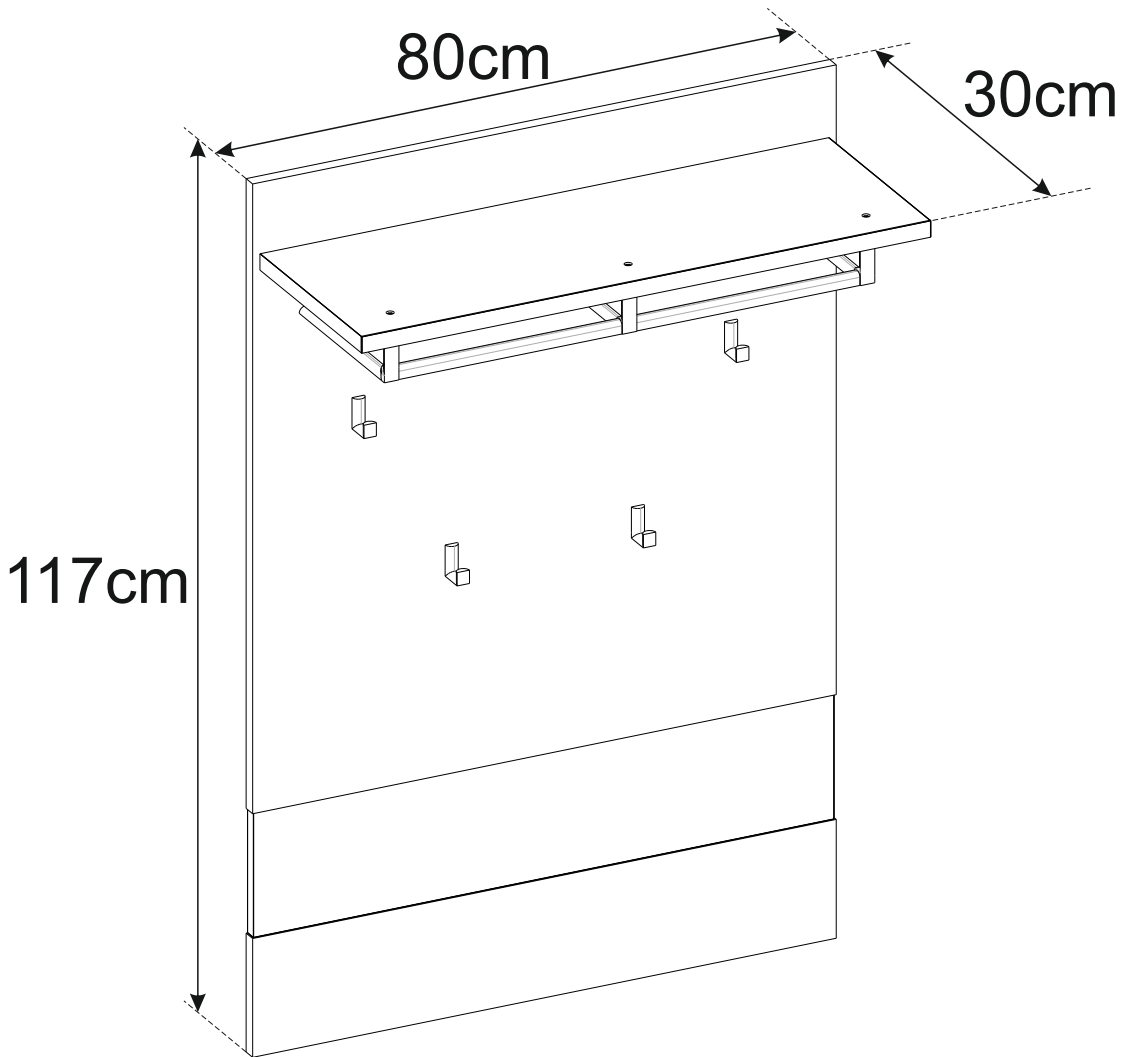
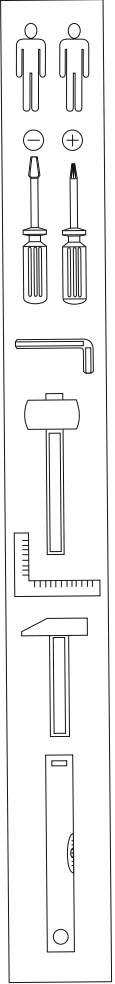
MEMPHIS GARDEROBENPANEEL 3B A1GH40

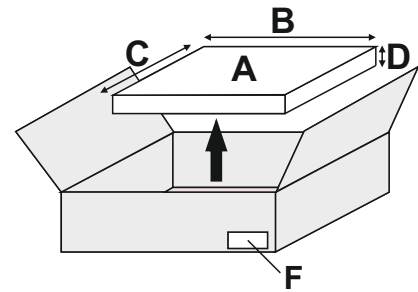
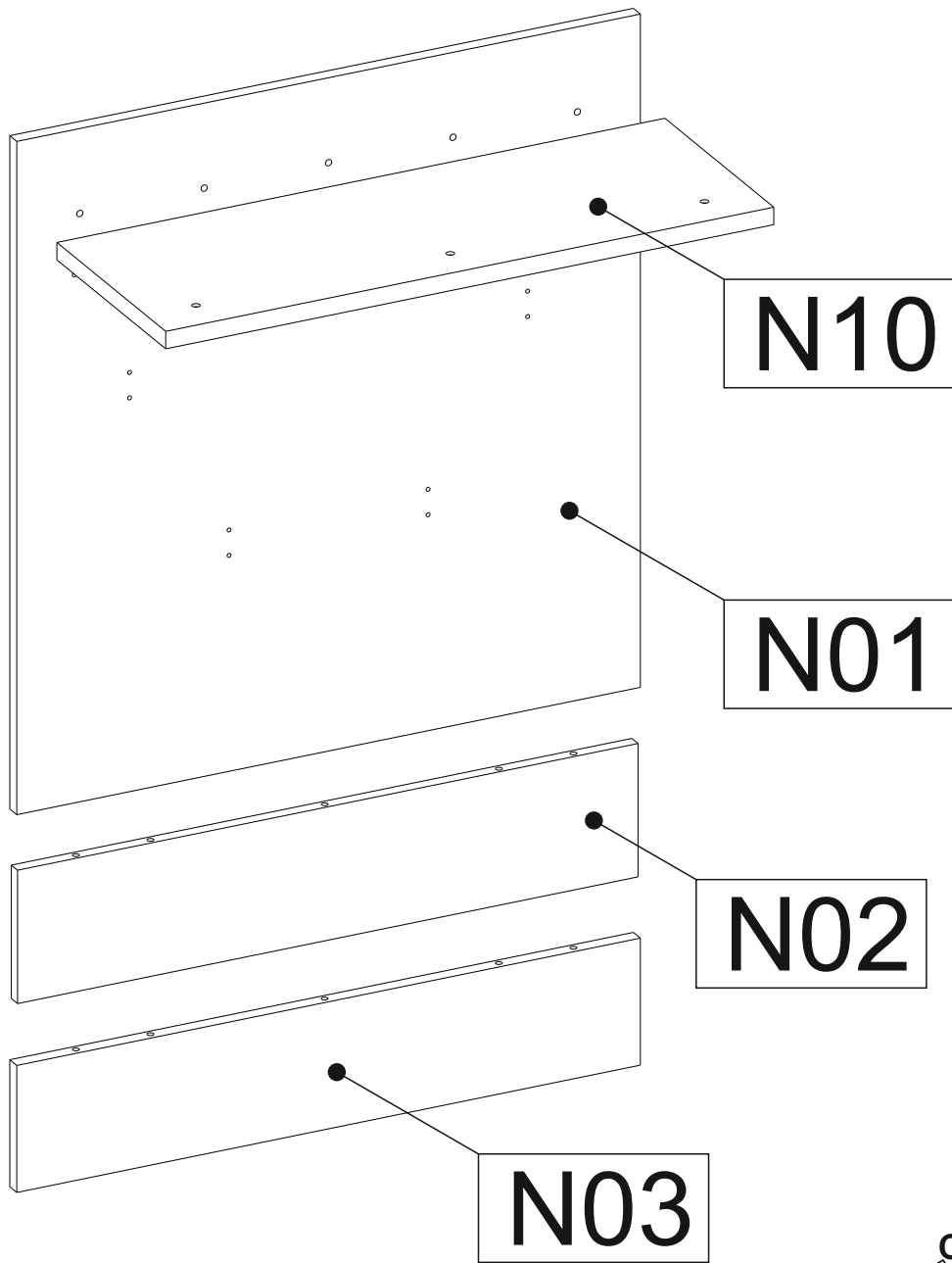
XXXXXXXXXX
..... serie: xxx
.....
Hergestellt für:
.....
.....



60 min

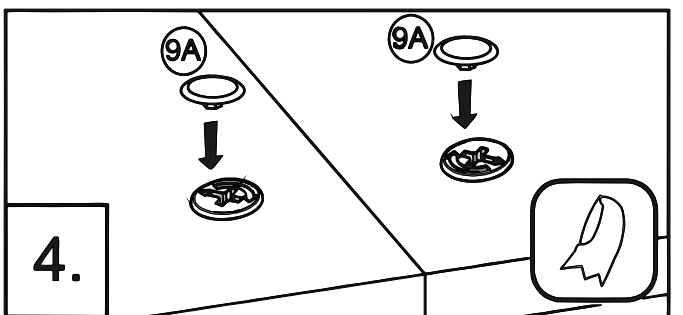
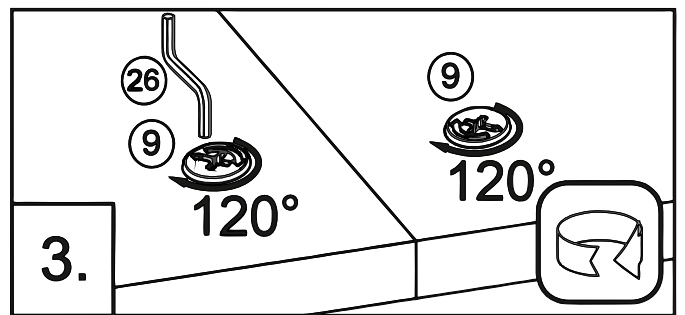
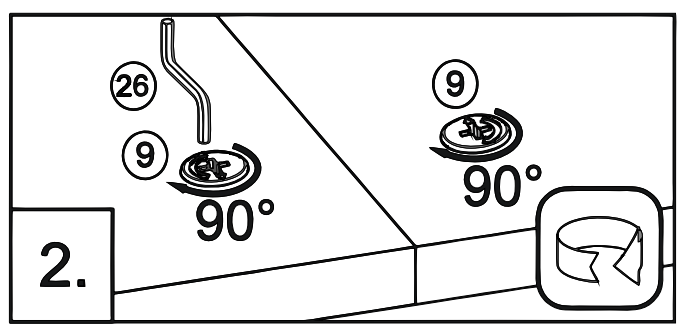
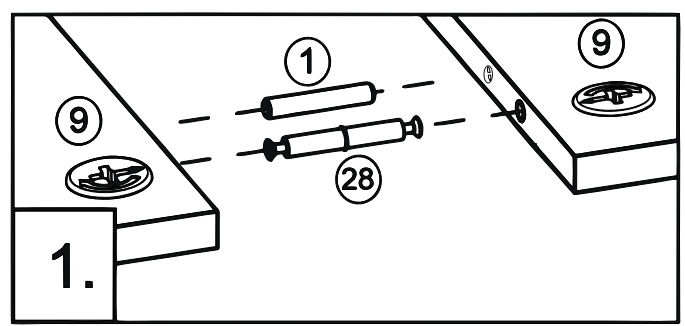
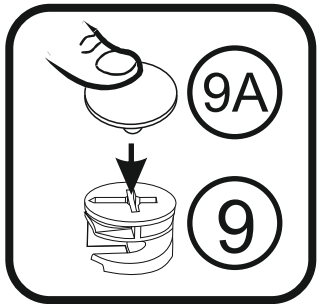
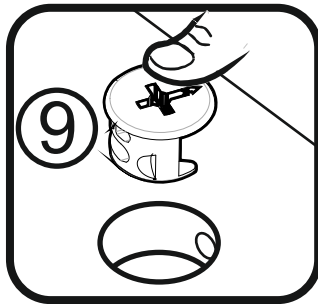
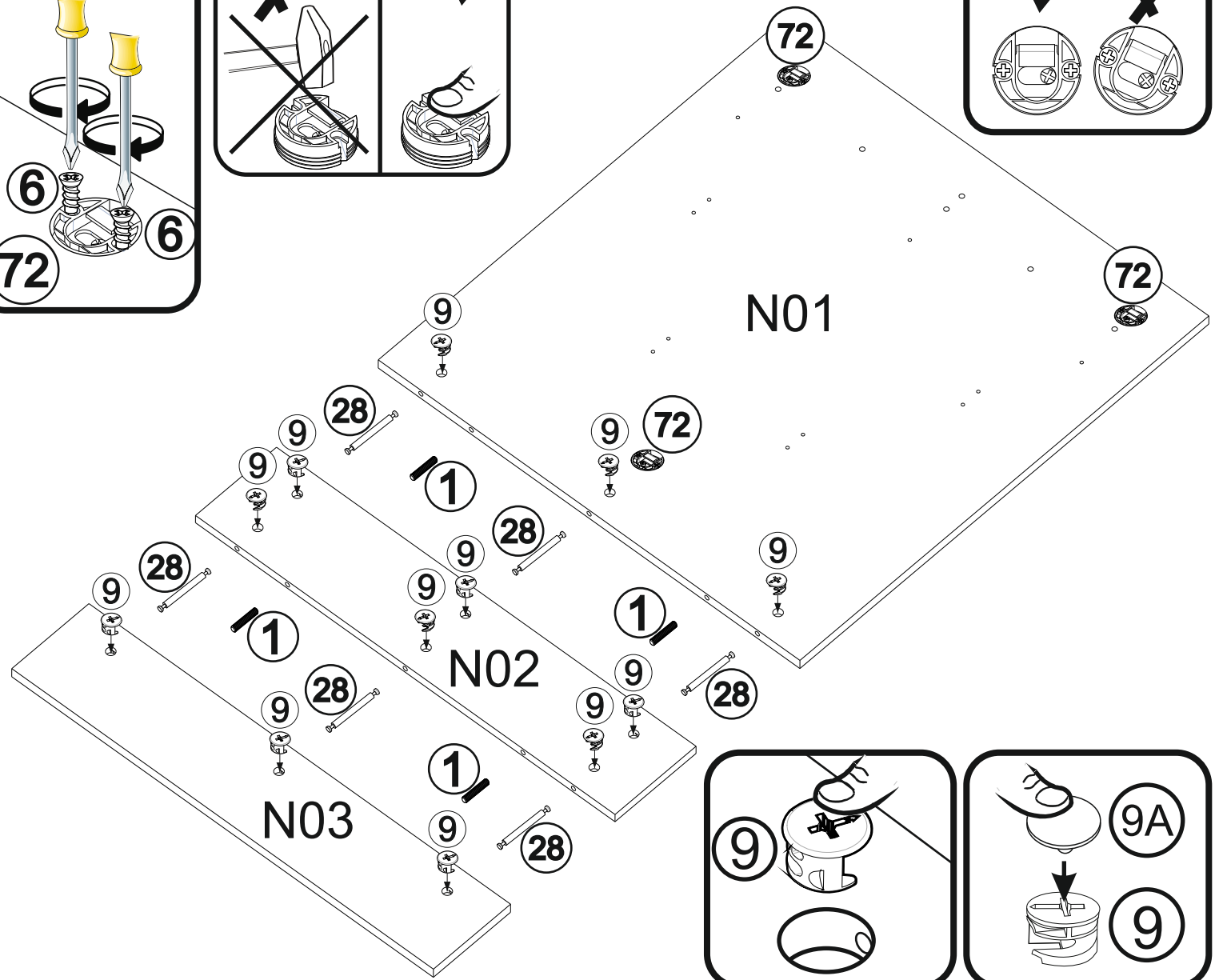
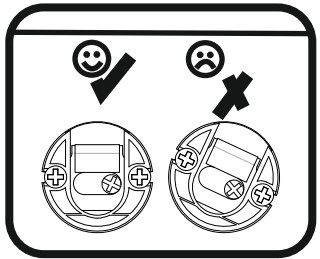
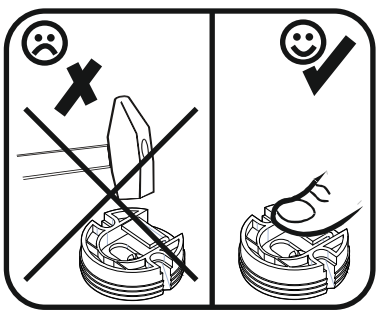
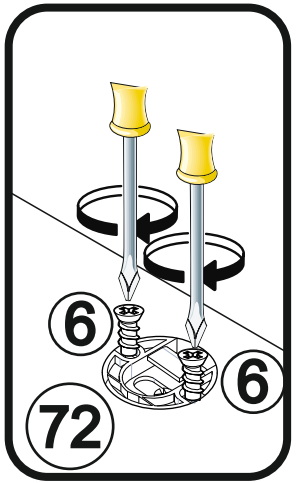
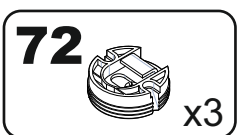
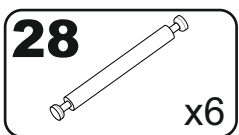
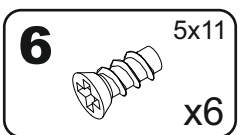
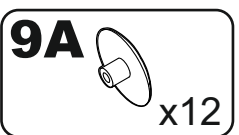
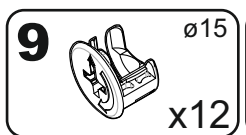
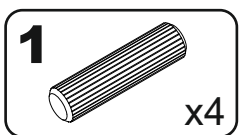




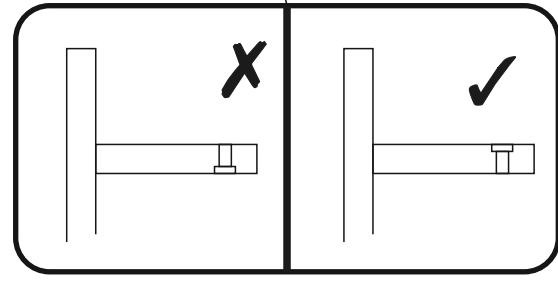
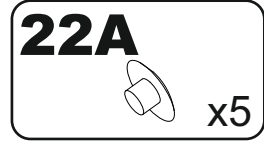
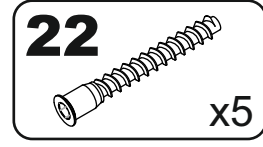
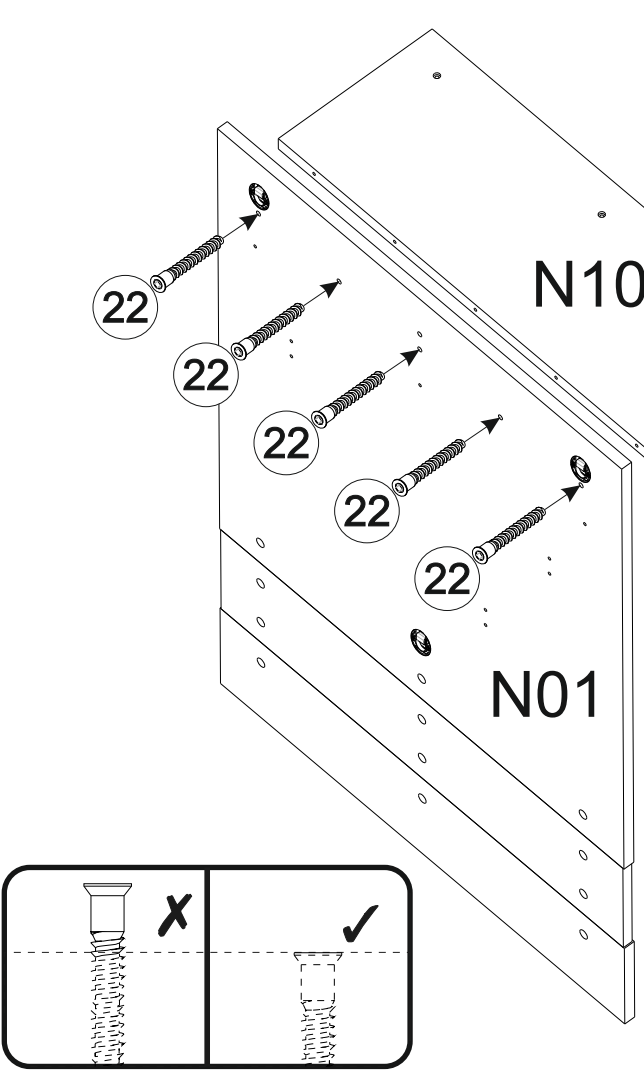
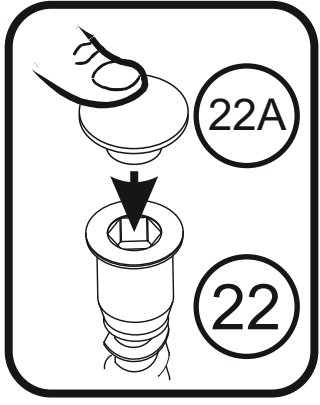
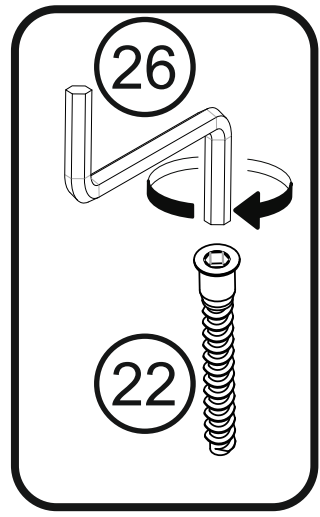


| A | B_(mm) | C_(mm) | D_(mm) | E | F |
|-----|--------|--------|--------|---|-----|
| N01 | 802 | 848 | 18 | 1 | 1 1 |
| N02 | 798 | 168 | 16 | 1 | 1 1 |
| N03 | 802 | 160 | 18 | 1 | 1 1 |
| N10 | 782 | 280 | 22 | 1 | 1 1 |

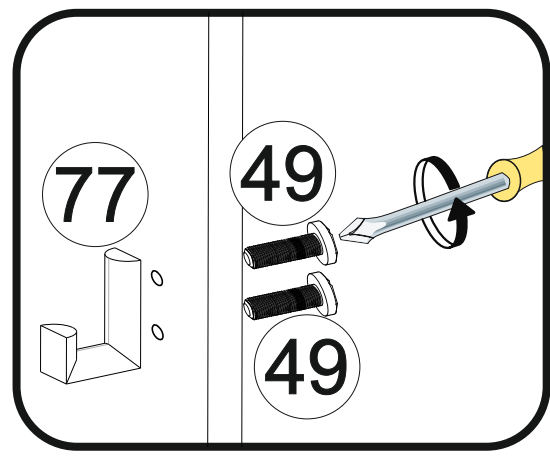
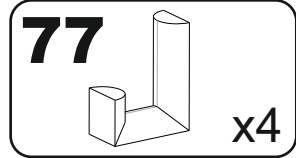
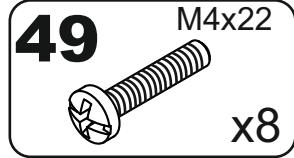
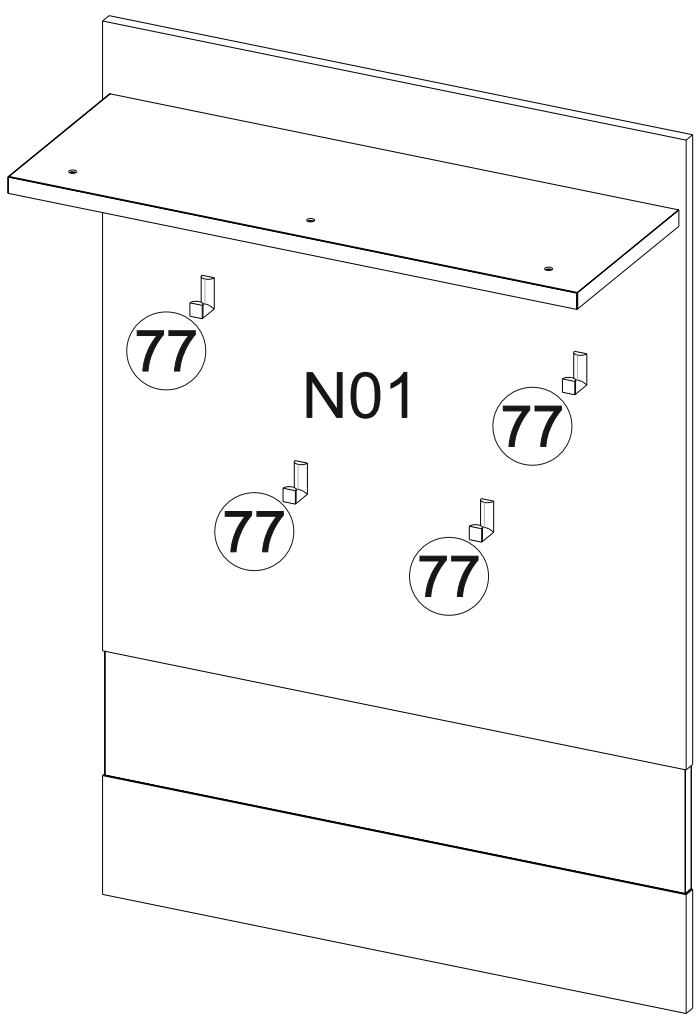
I



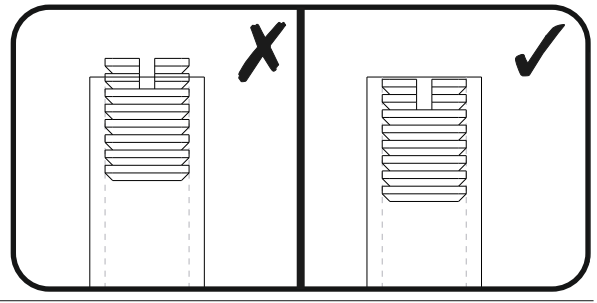
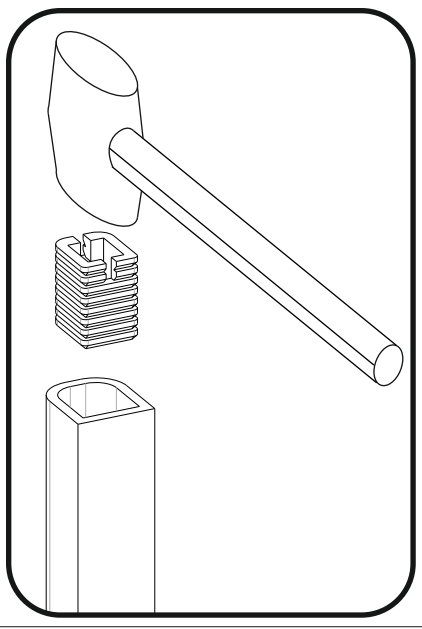
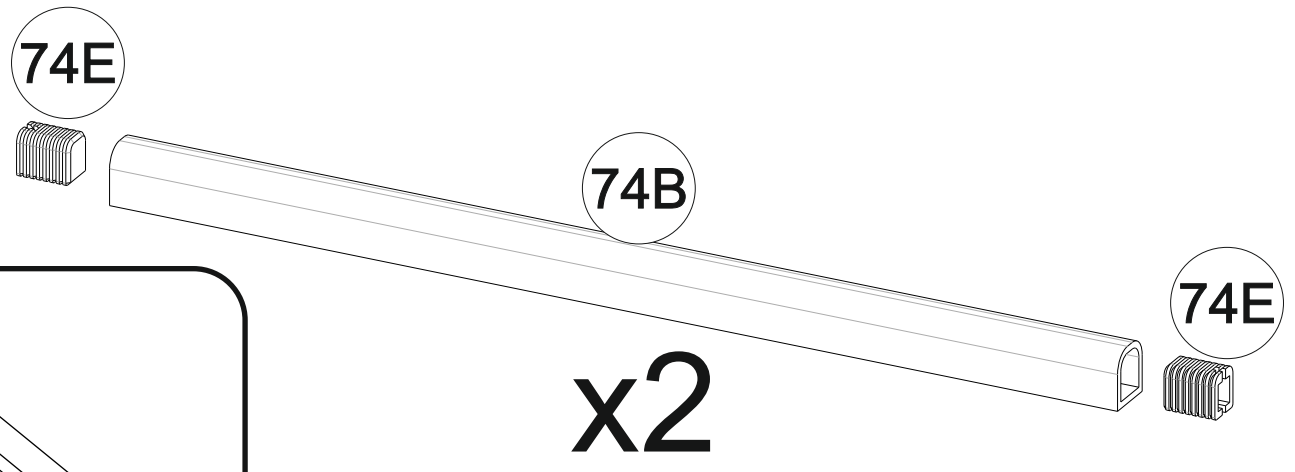
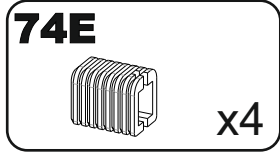
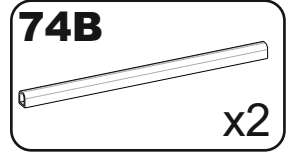
2



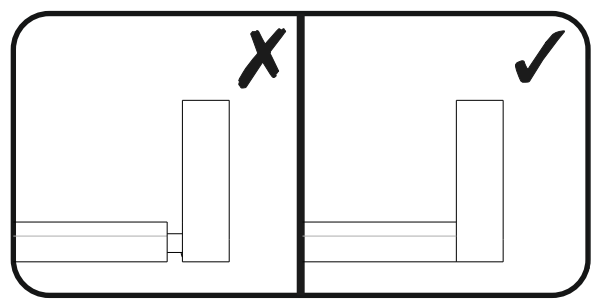
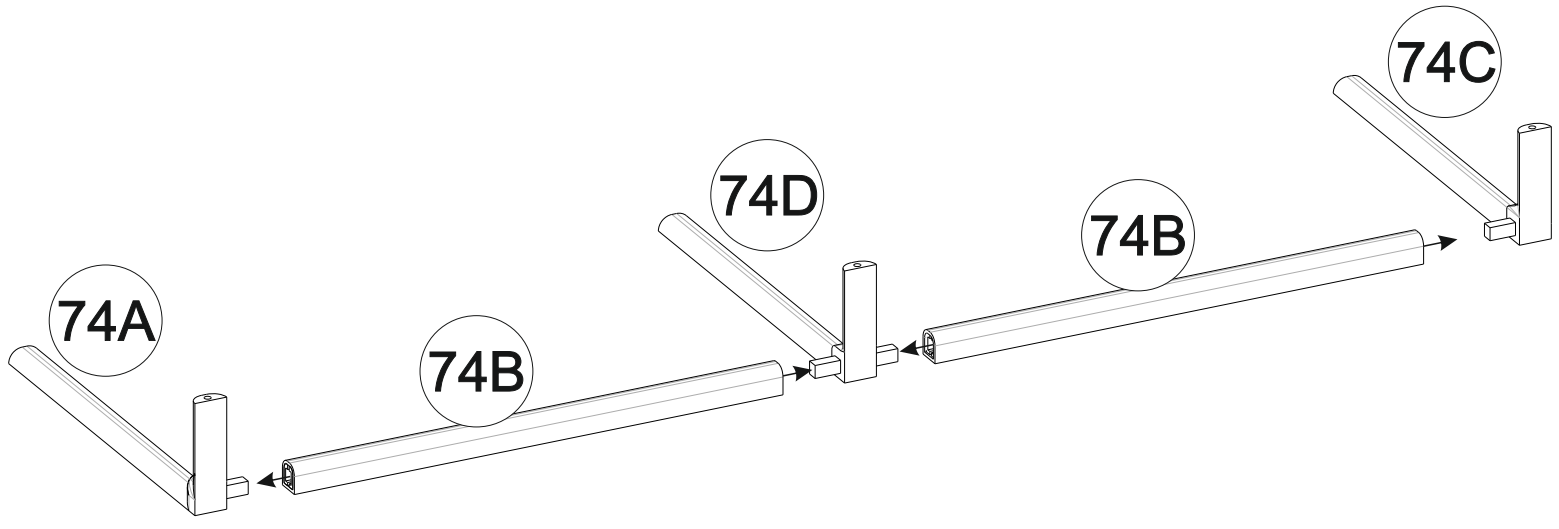
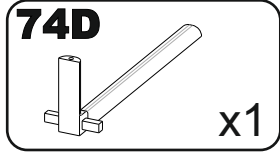
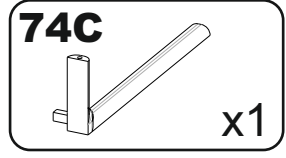
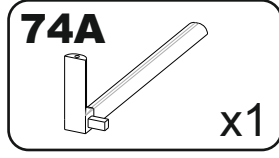
3



4

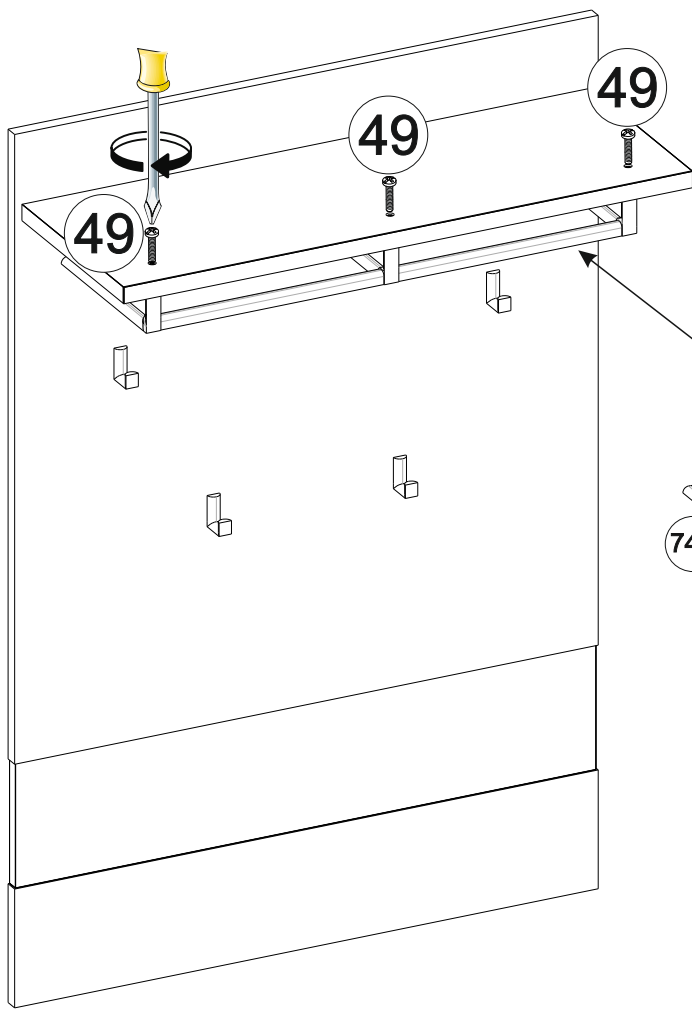


5



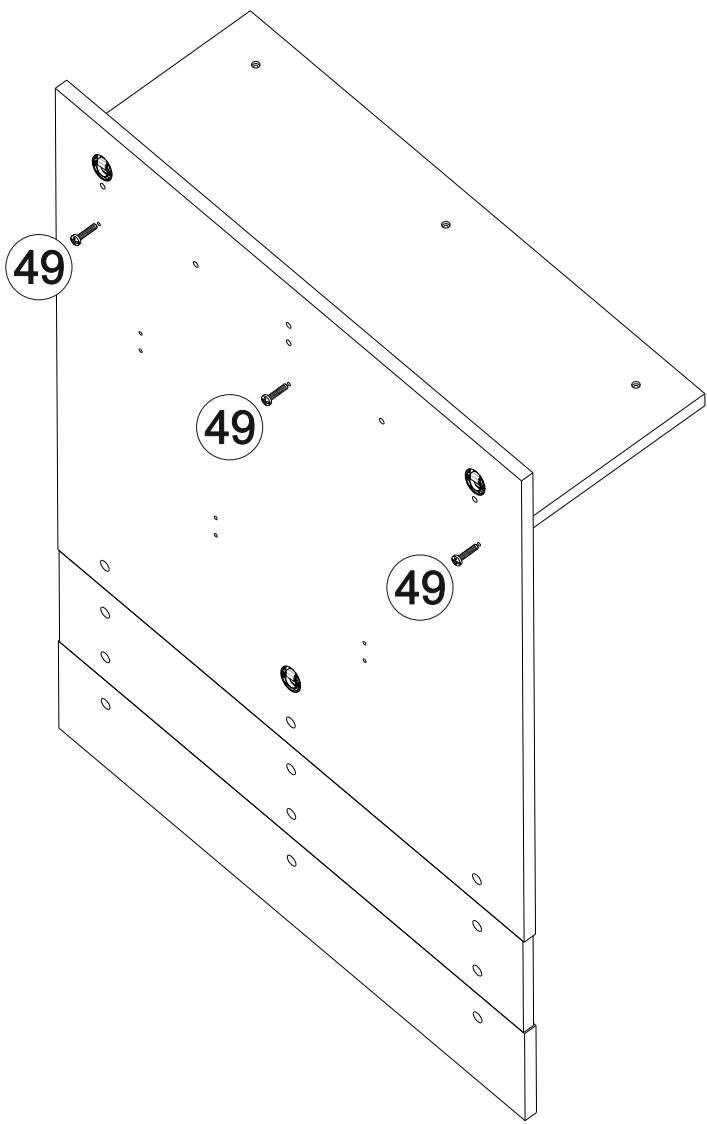
6

6

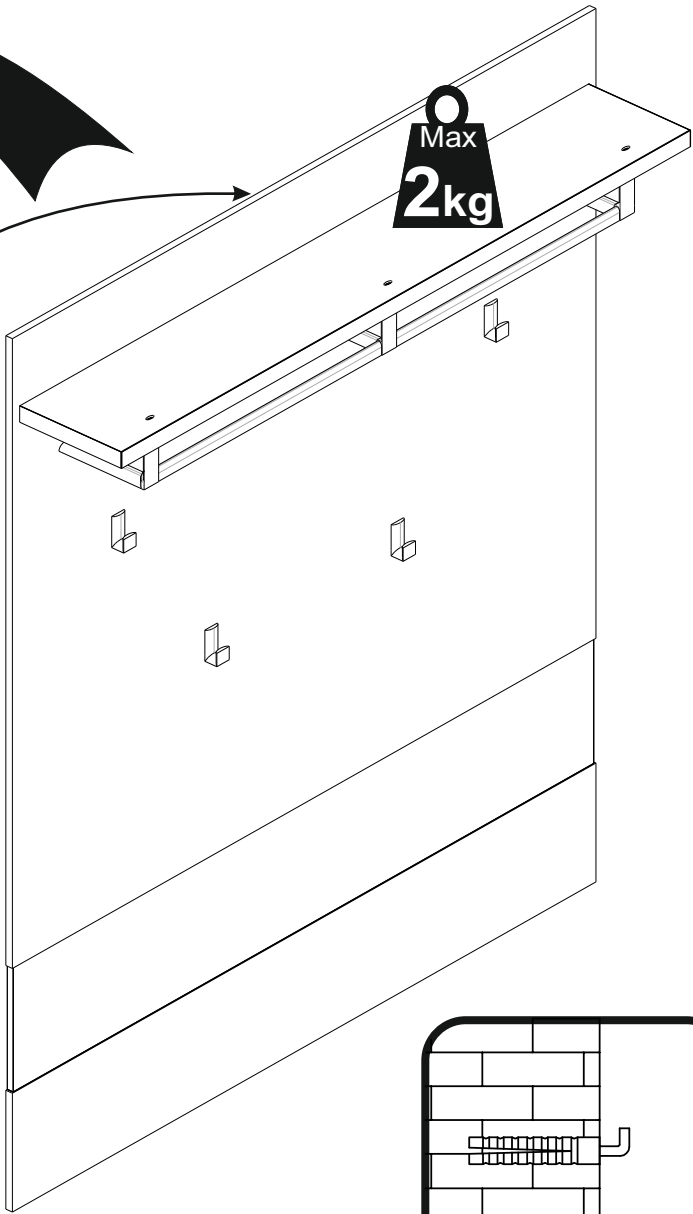
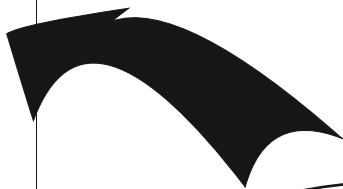
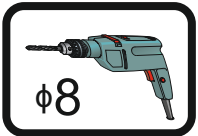
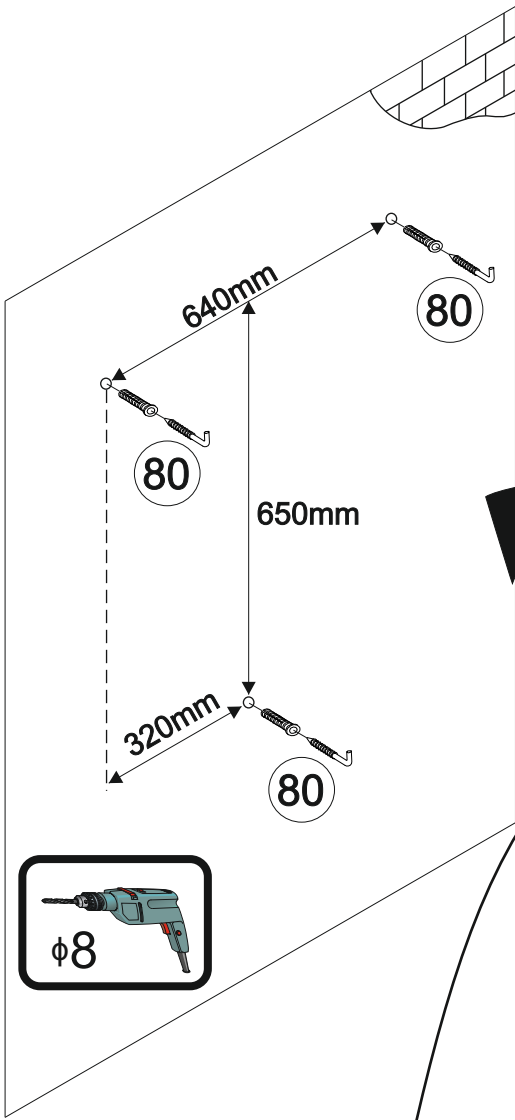
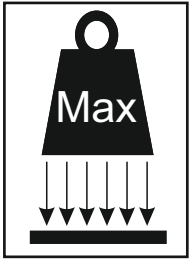
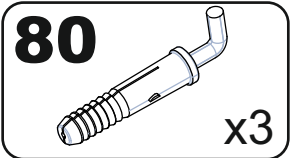


49 M4x22
x3

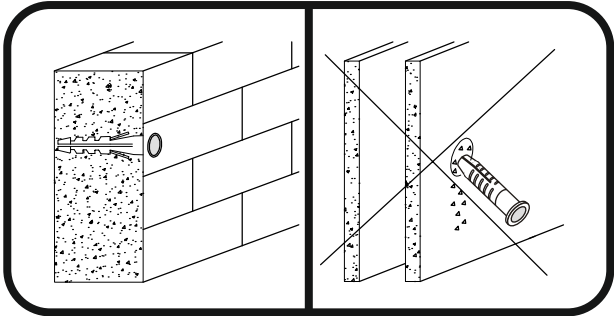
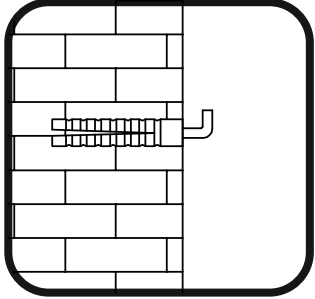
7



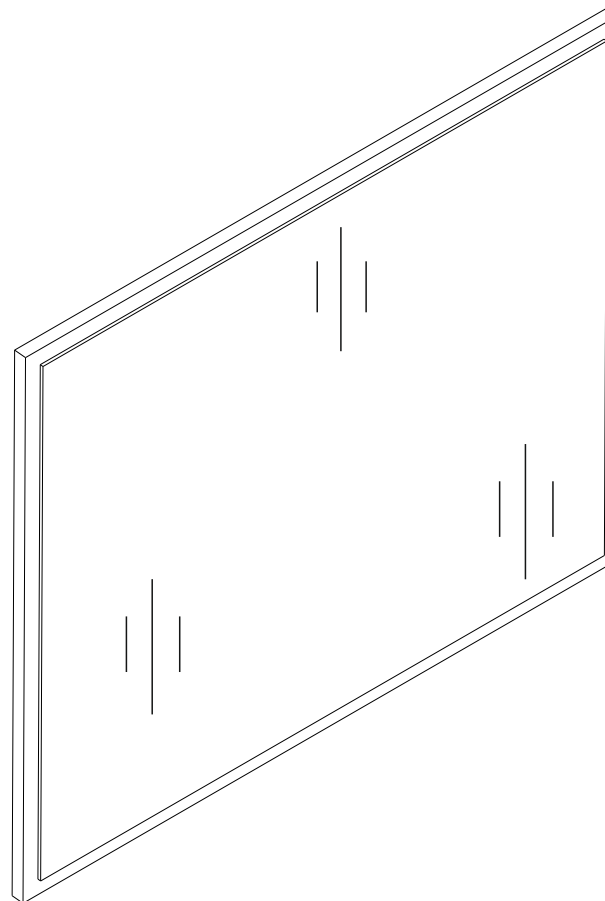
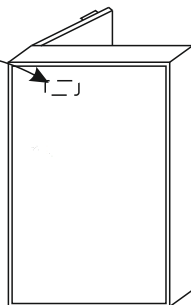
49 M4x22
x3



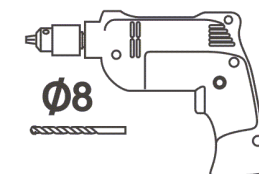
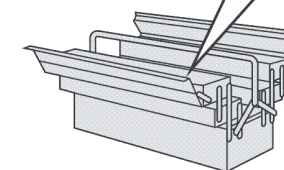
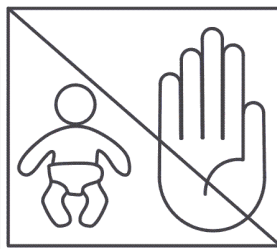
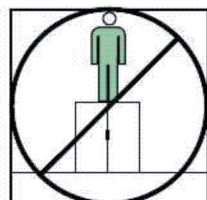
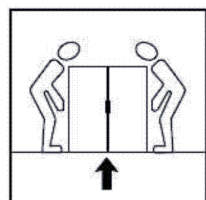
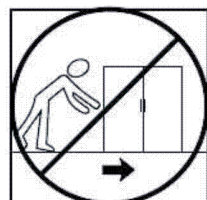
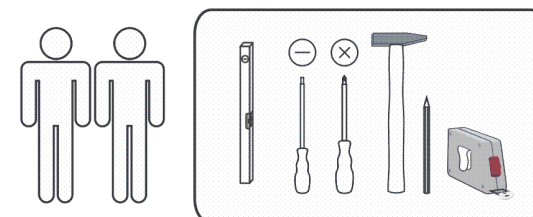
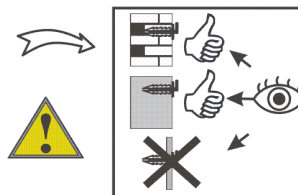
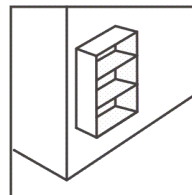
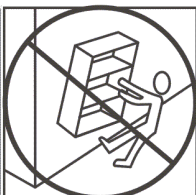
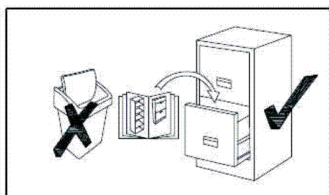
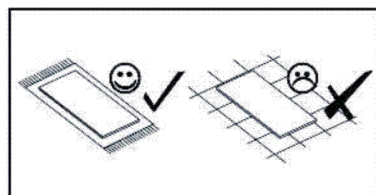
OPTION

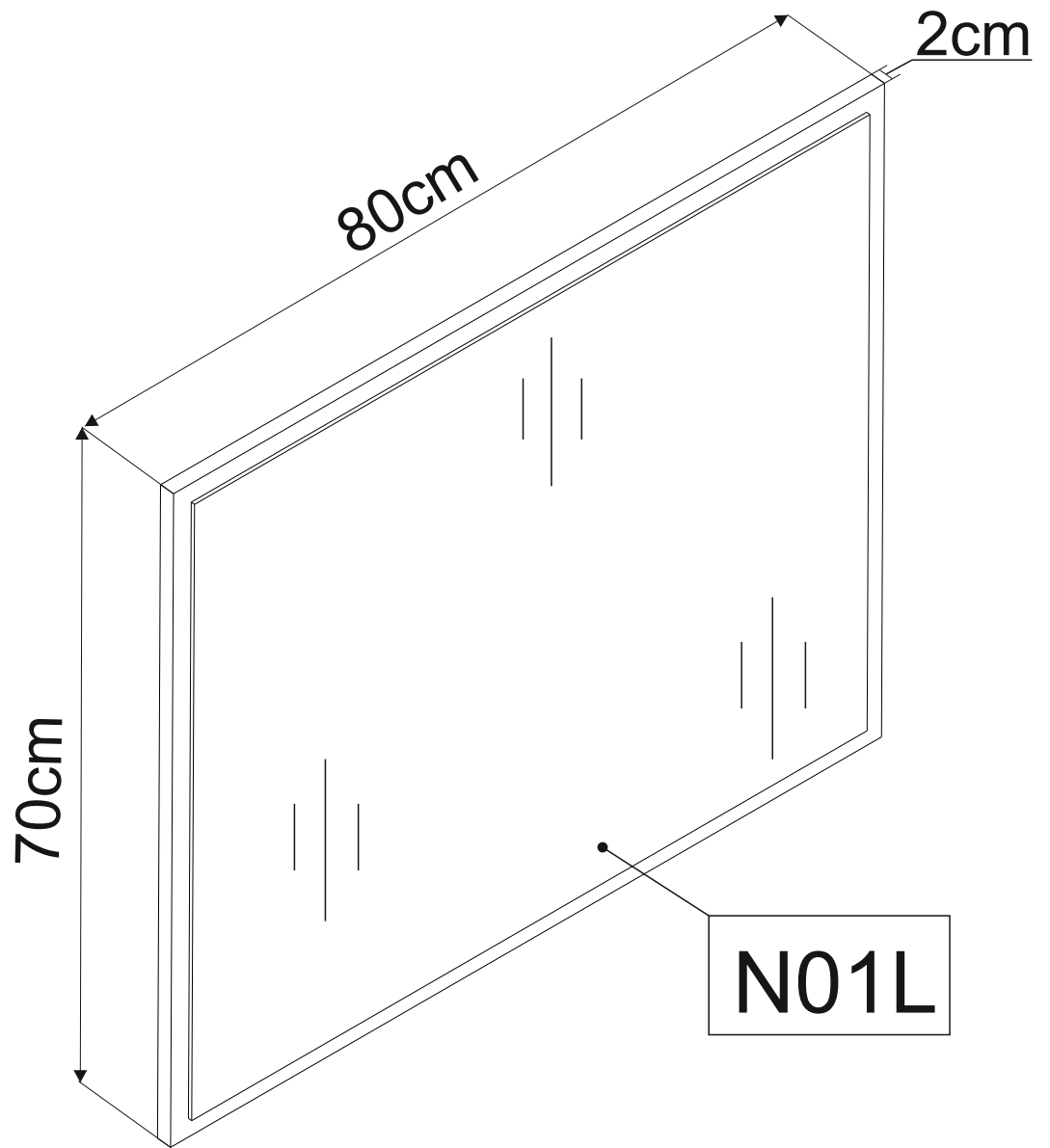
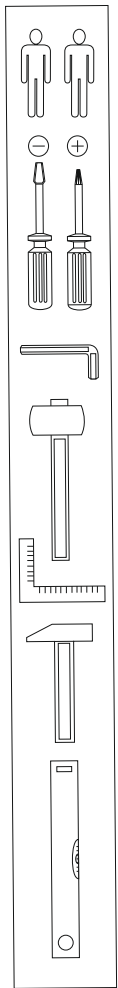


XXXXXXXXXX
..... serie: xxx
.....
Hergestellt für:
.....
.....

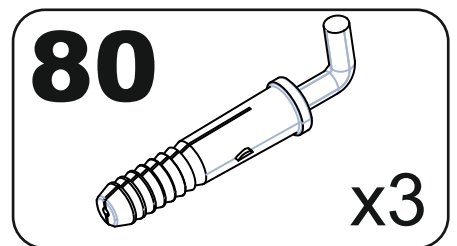
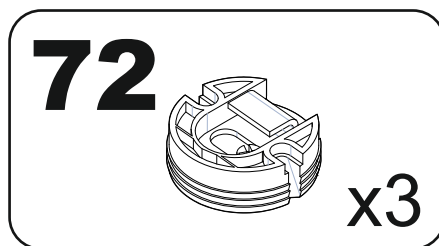
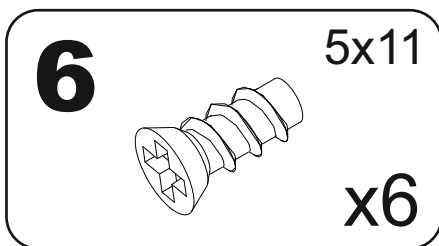


30 min

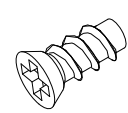


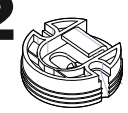


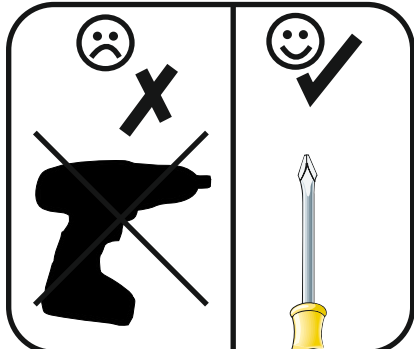
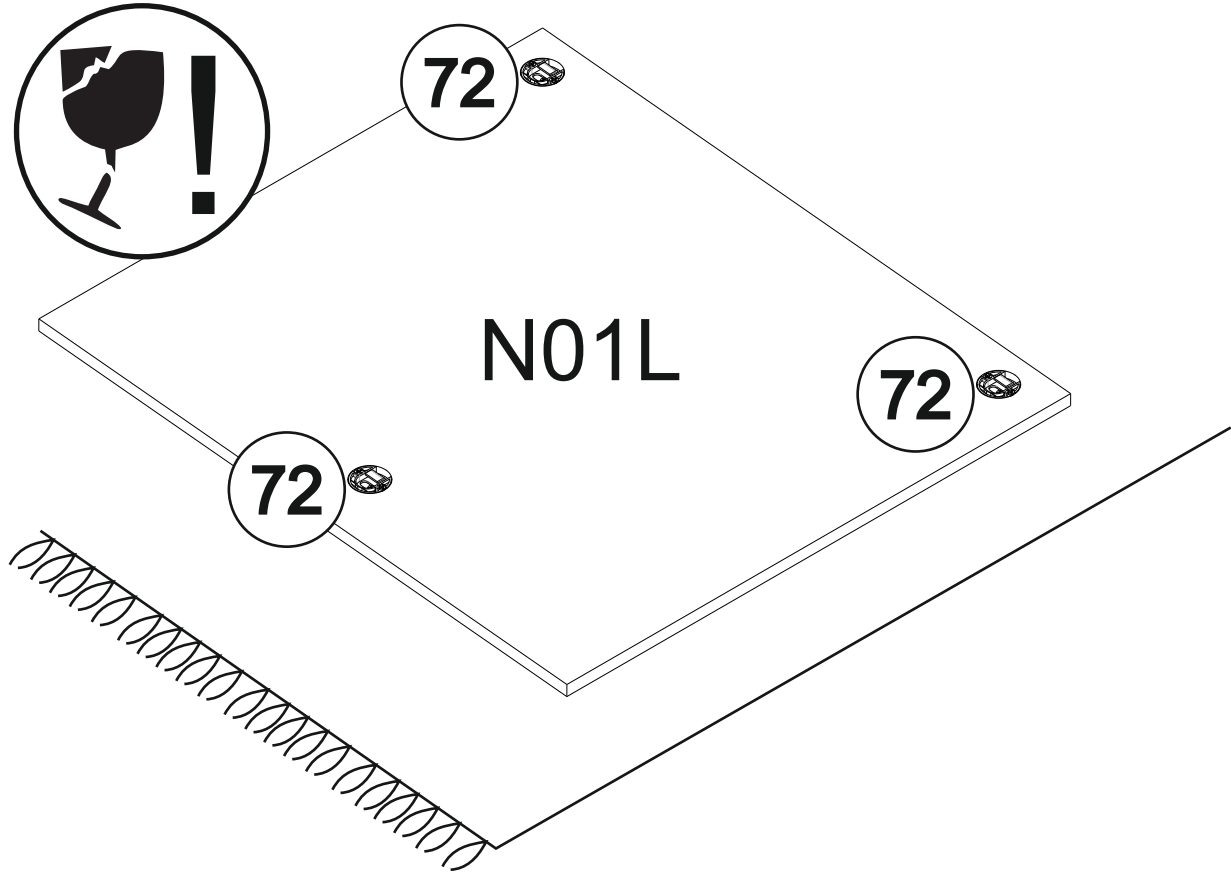
| A | B_(mm) | C_(mm) | D_(mm) | E | F |
|------|--------|--------|--------|---|-----|
| N01L | 700 | 800 | 16 | 1 | 1 1 |
| | 760 | 660 | 4 | 1 | 1 1 |



1

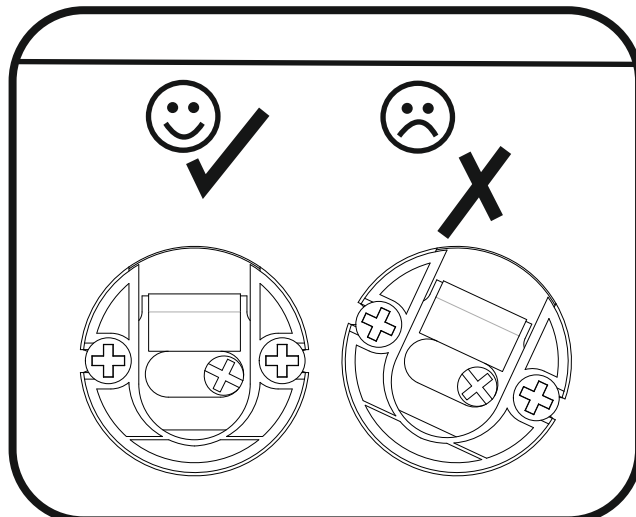
6 5x11 x6 

72 x3 



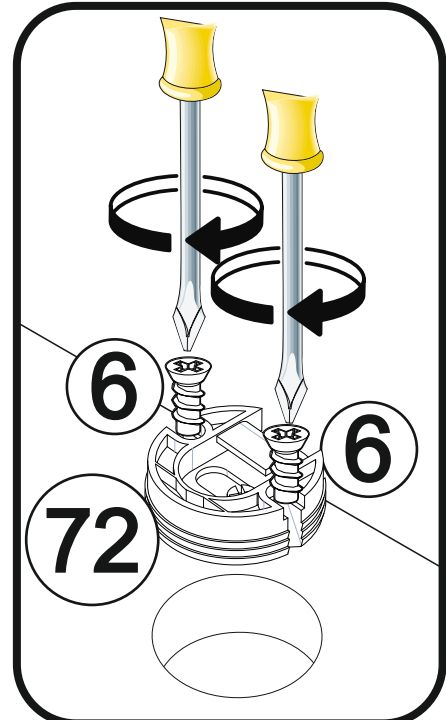
⊗

☺ ✓



☺ ✓

☹ ⊗

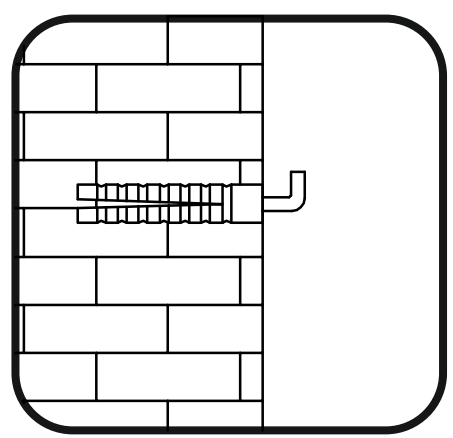
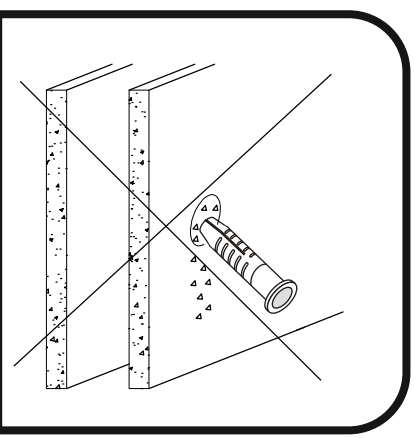
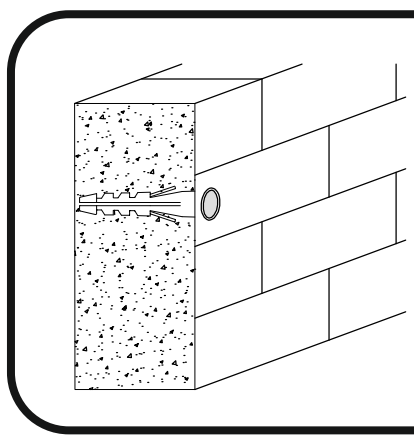
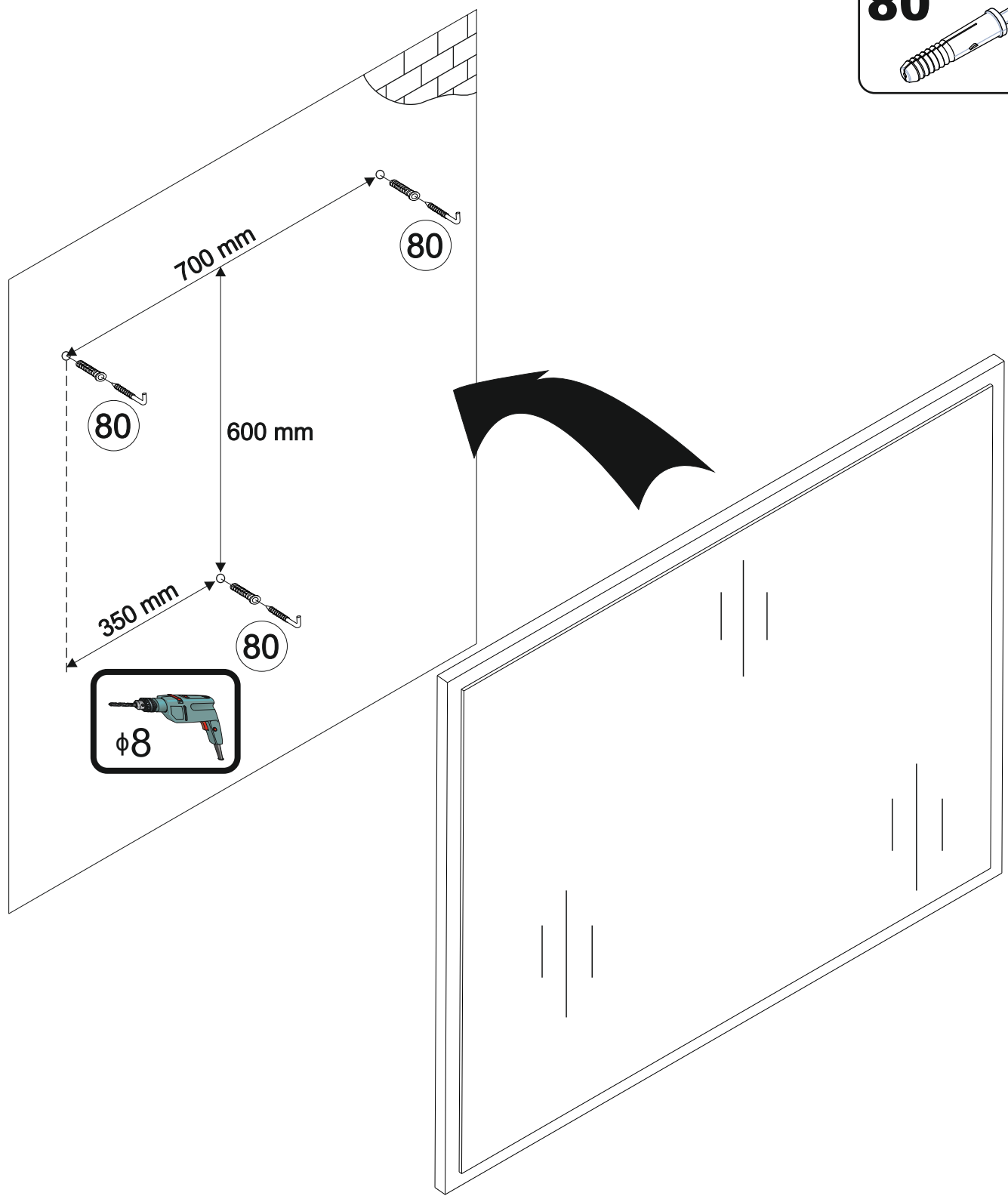
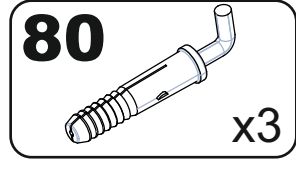


6

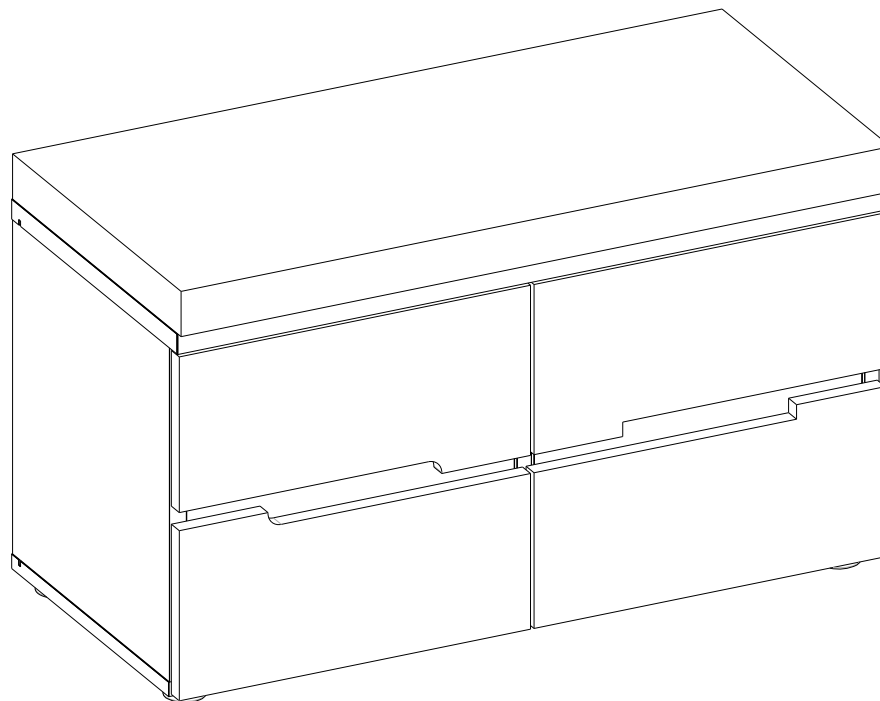
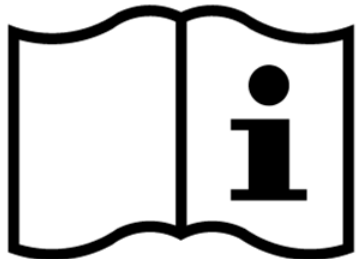
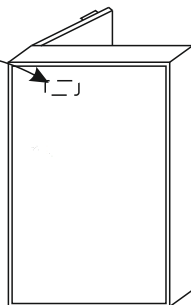
72

6

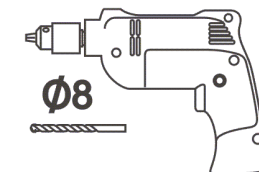
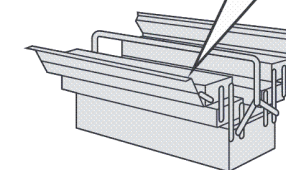
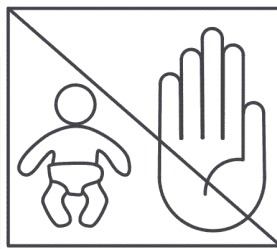
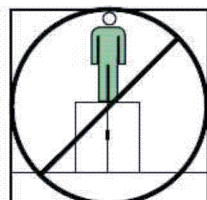
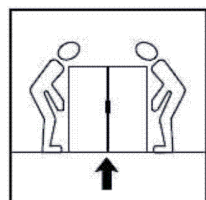
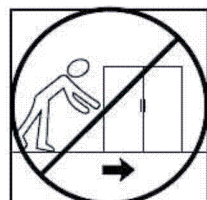
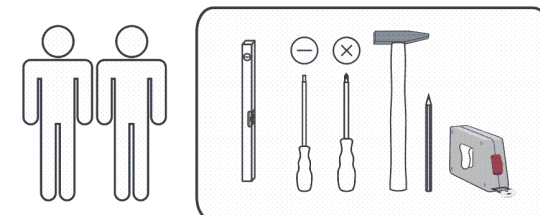
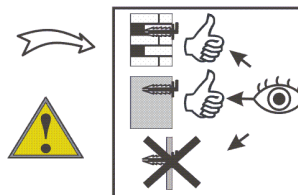
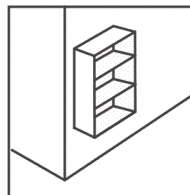
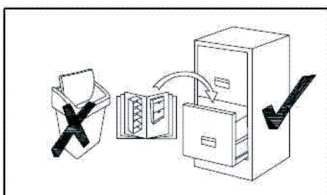
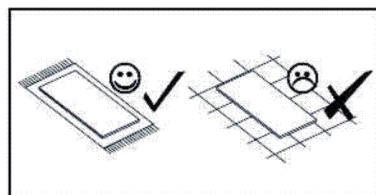
2

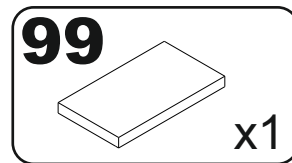
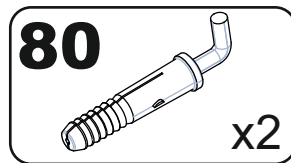
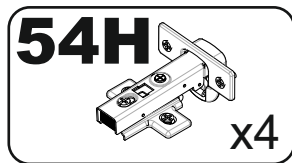
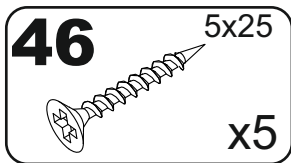
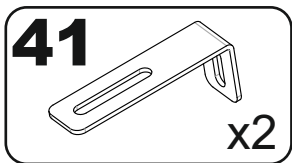
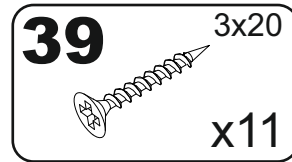
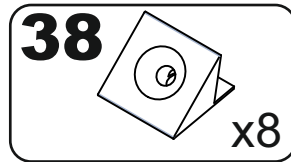
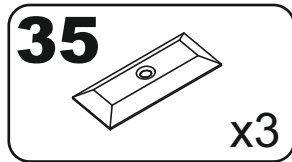
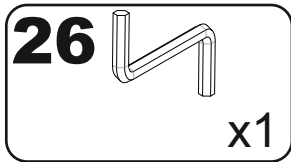
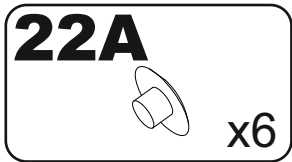
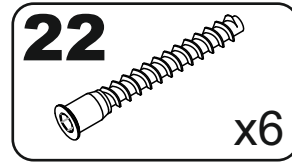
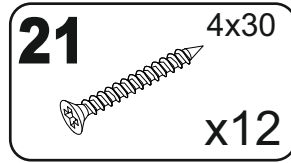
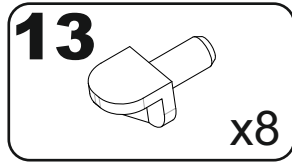
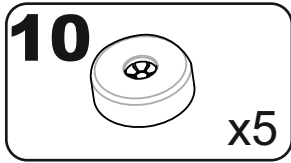
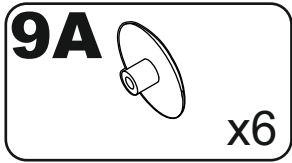
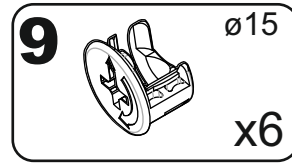
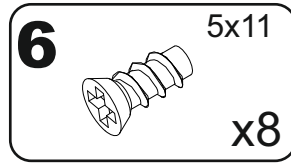
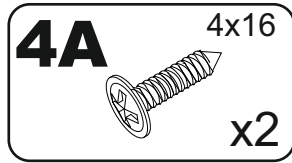
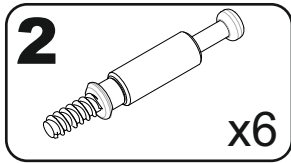
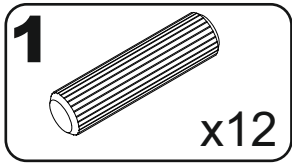
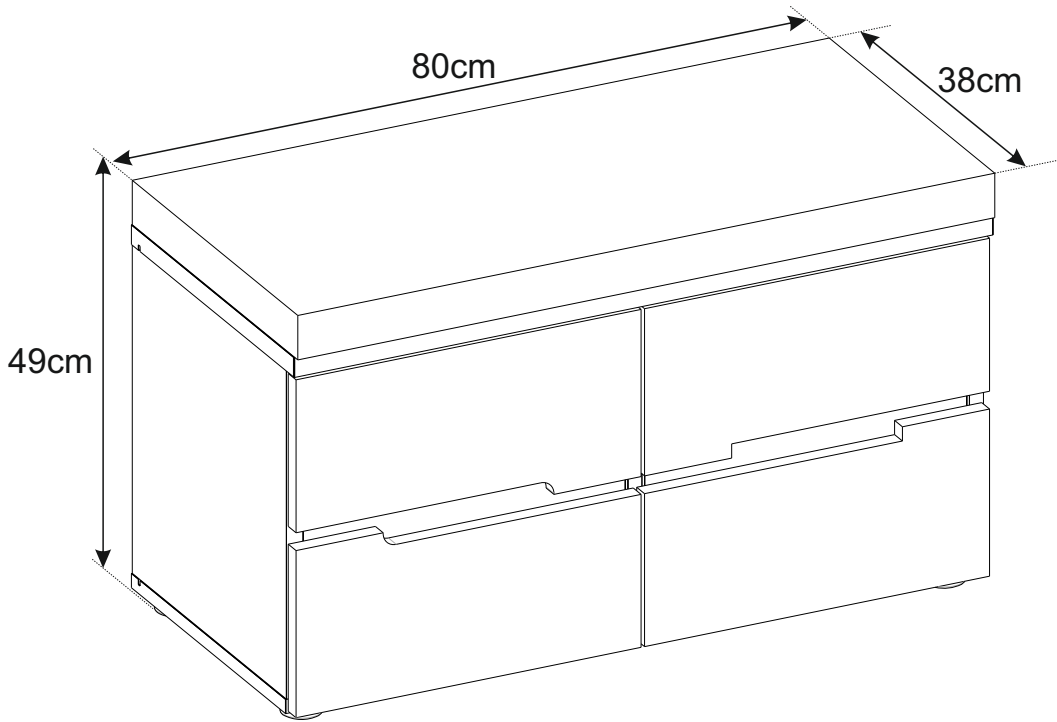
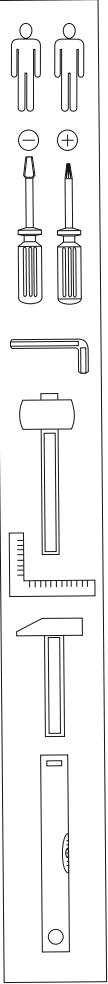


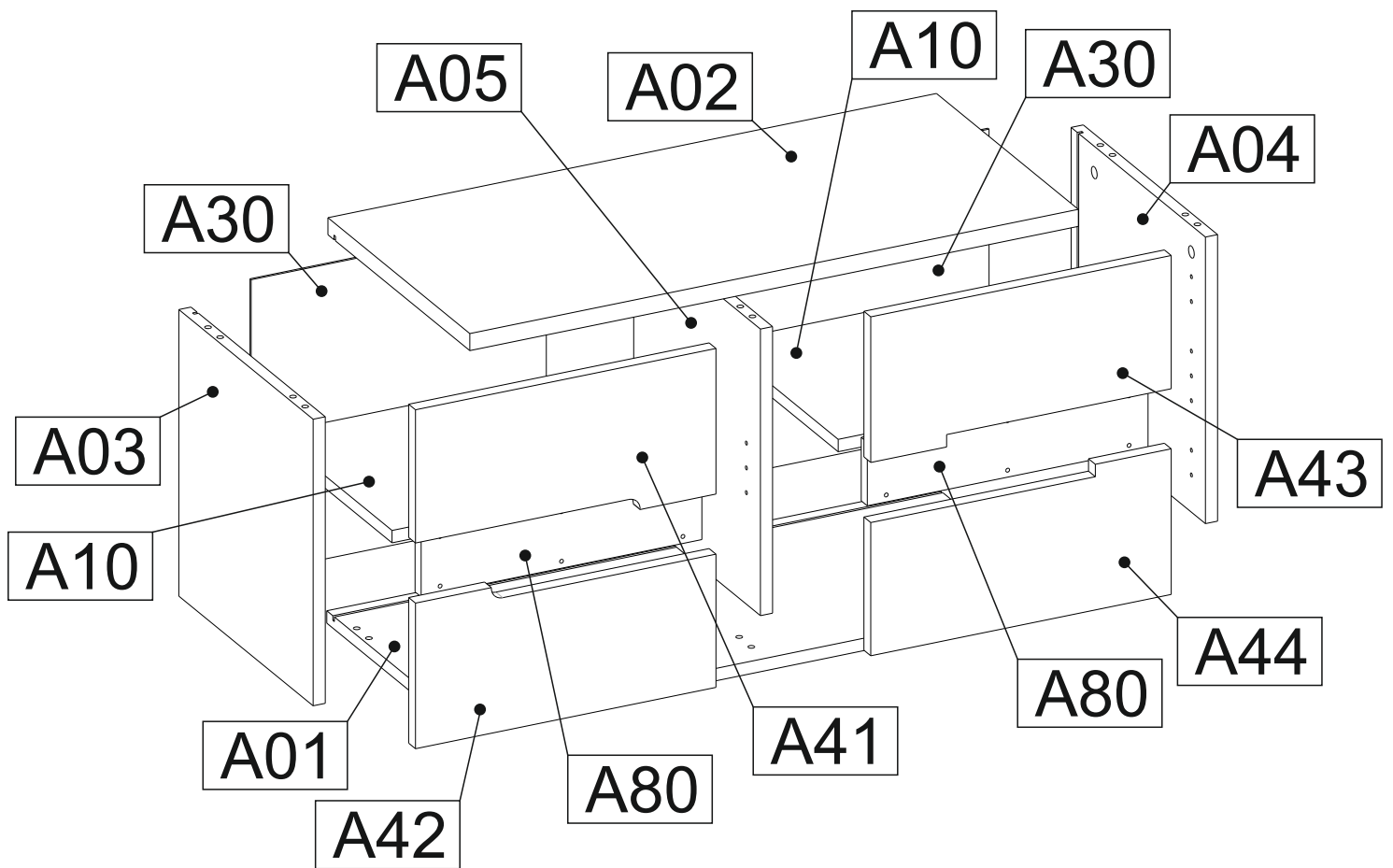
XXXXXXXXXX
..... serie: xxx
.....
Hergestellt für:
.....
.....



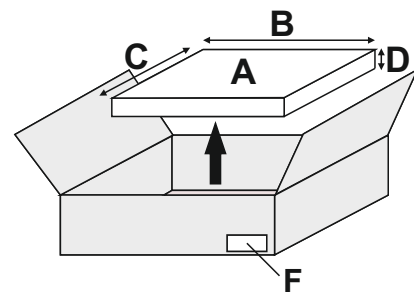
120 min



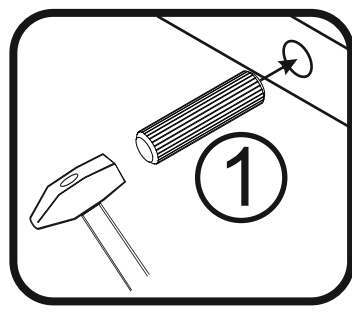
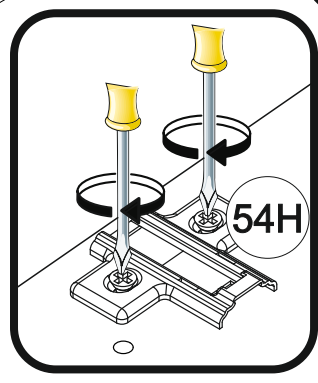
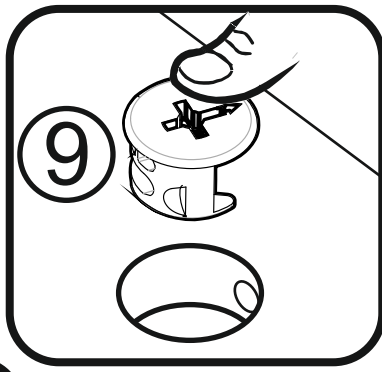
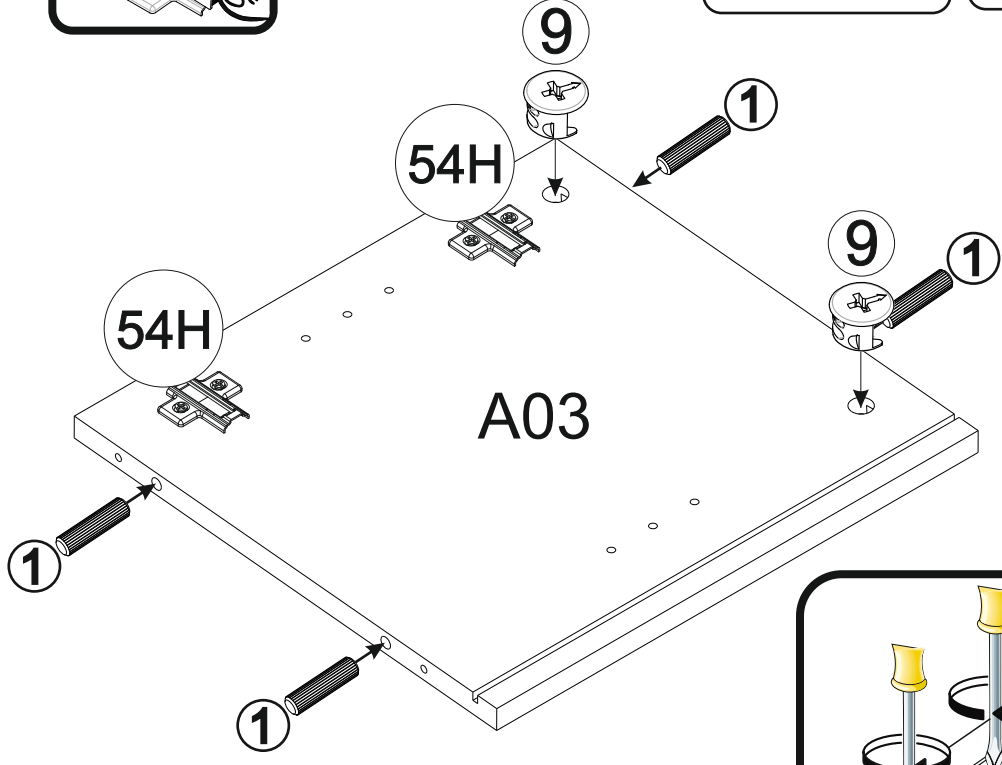
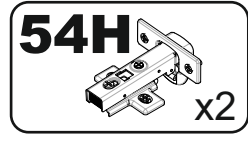
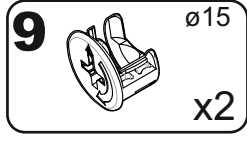
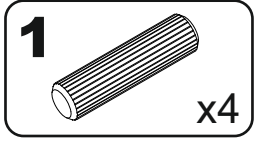
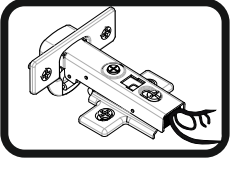




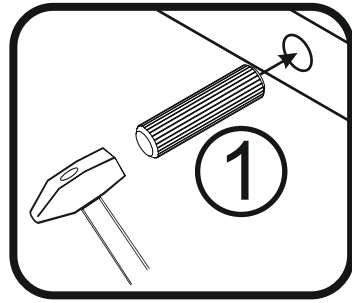
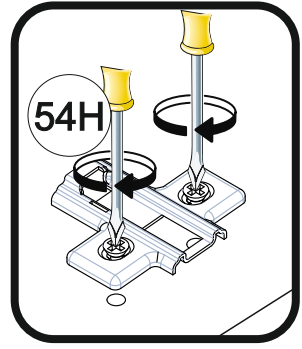
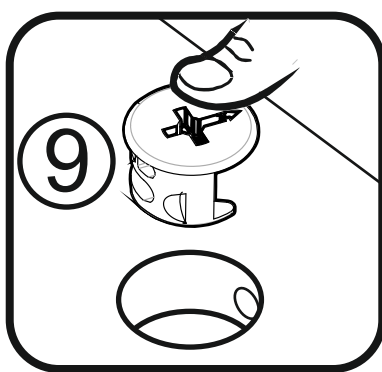
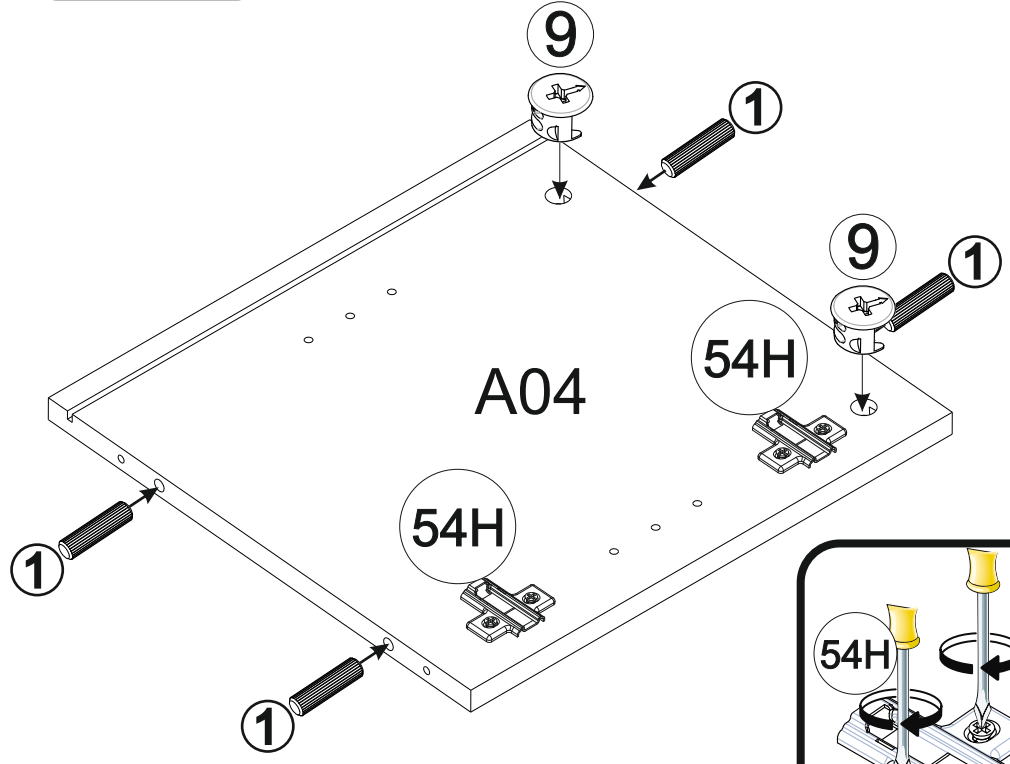
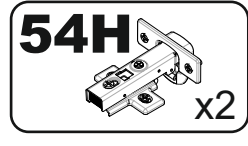
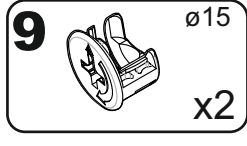
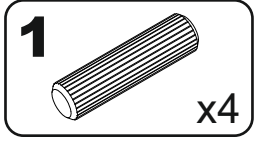
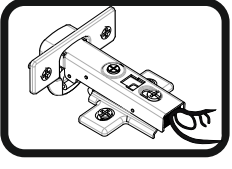
| A | B (mm) | C (mm) | D (mm) | E | F |
|-----|--------|--------|--------|---|-----|
| A01 | 802 | 358 | 16 | 1 | 1 1 |
| A02 | 802 | 380 | 22 | 1 | 1 1 |
| A03 | 370 | 358 | 16 | 1 | 1 1 |
| A04 | 370 | 358 | 16 | 1 | 1 1 |
| A05 | 370 | 338 | 16 | 1 | 1 1 |
| A10 | 376 | 318 | 16 | 2 | 1 1 |
| A30 | 380 | 389 | 3 | 2 | 1 1 |
| A41 | 396 | 188 | 18 | 1 | 1 1 |
| A42 | 396 | 188 | 18 | 1 | 1 1 |
| A43 | 396 | 188 | 18 | 1 | 1 1 |
| A44 | 396 | 188 | 18 | 1 | 1 1 |
| A80 | 370 | 82 | 16 | 2 | 1 1 |



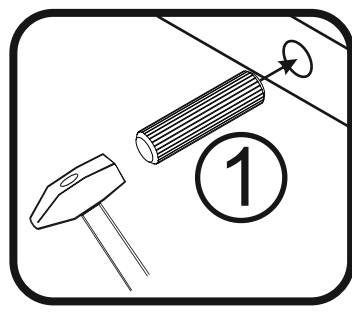
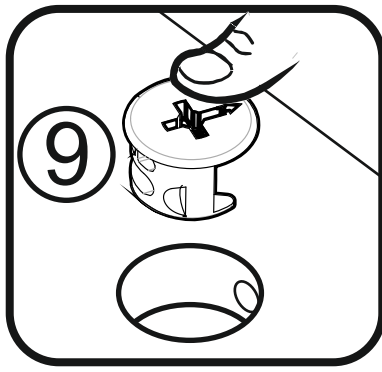
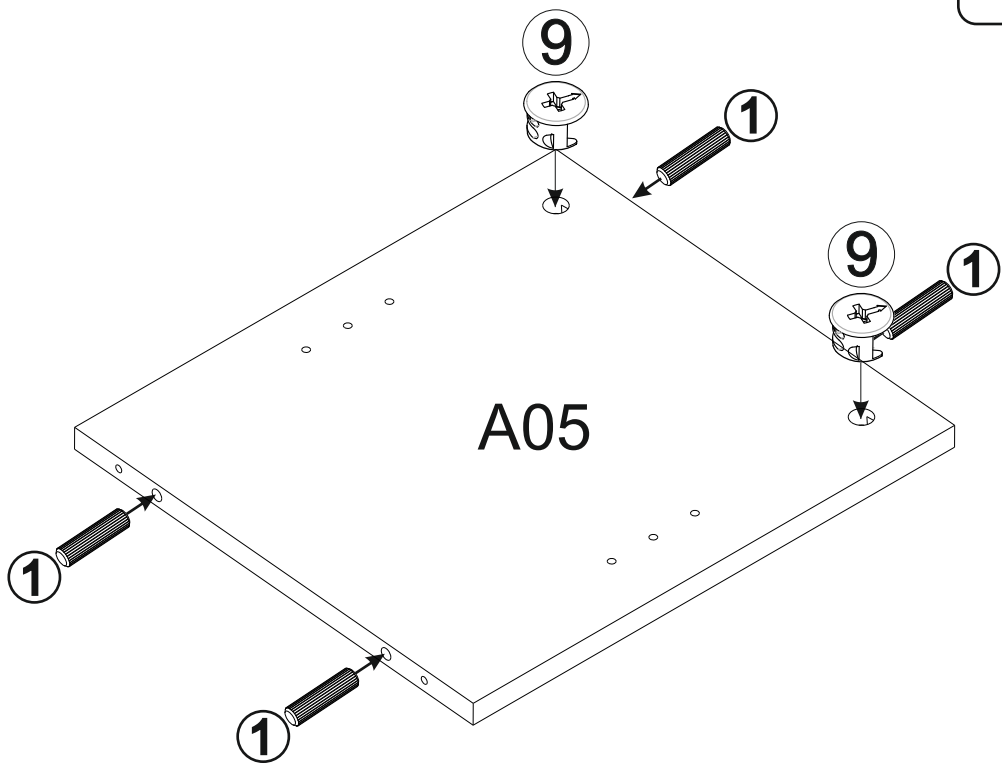
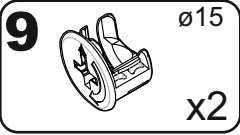
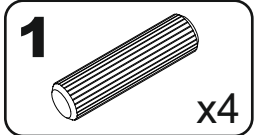
1



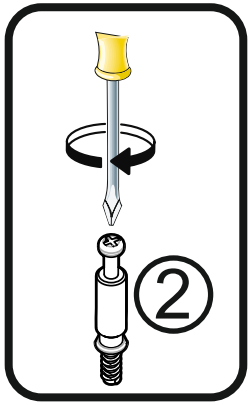
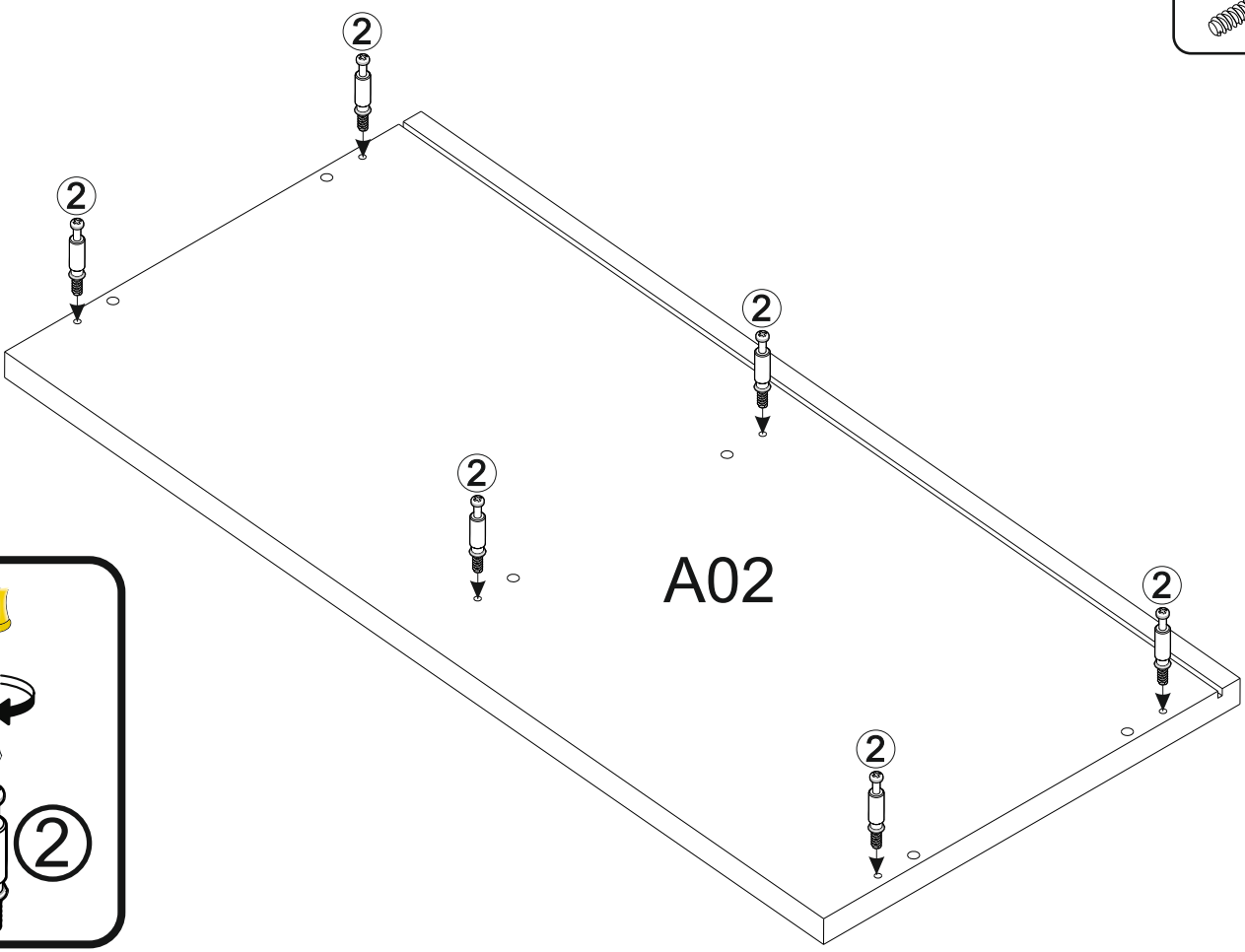
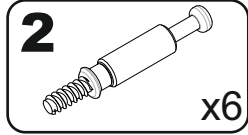
2



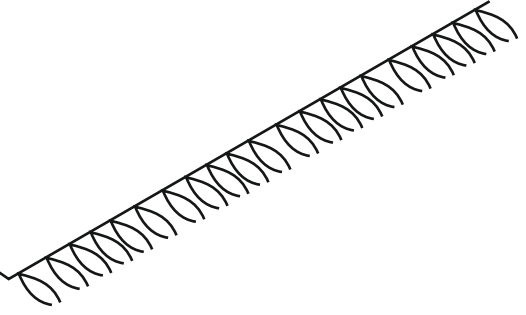
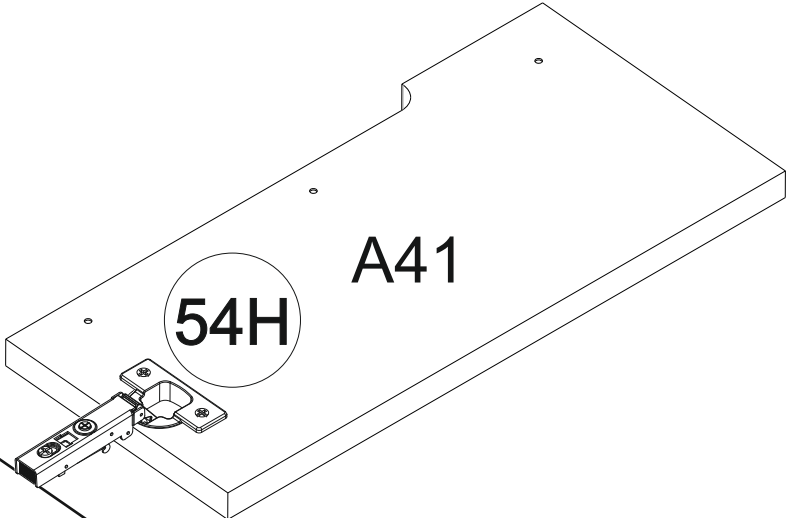
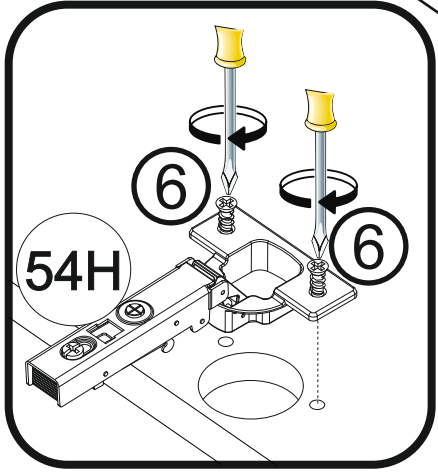
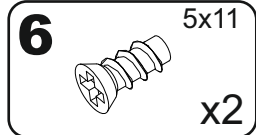
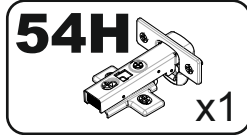
3



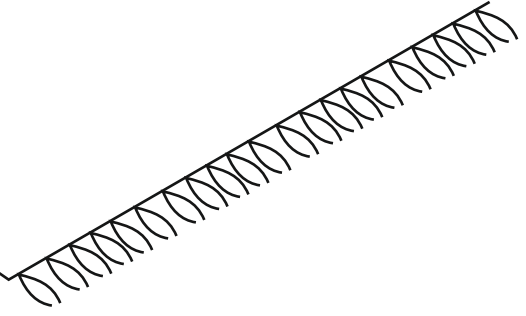
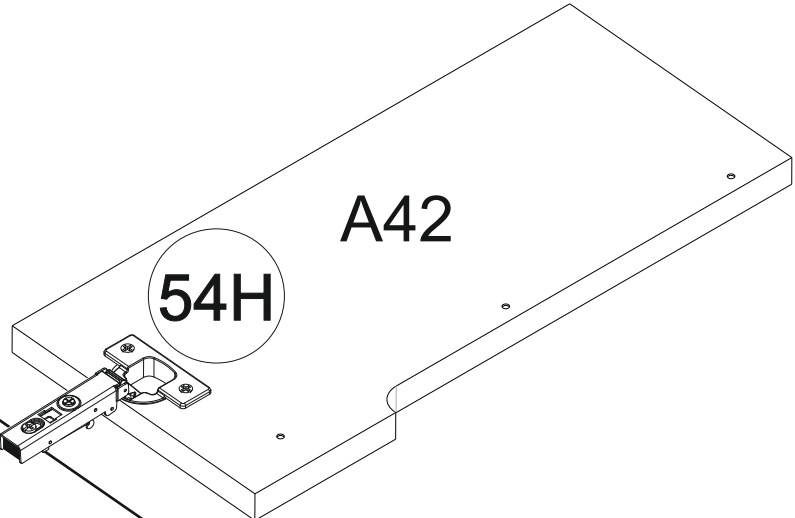
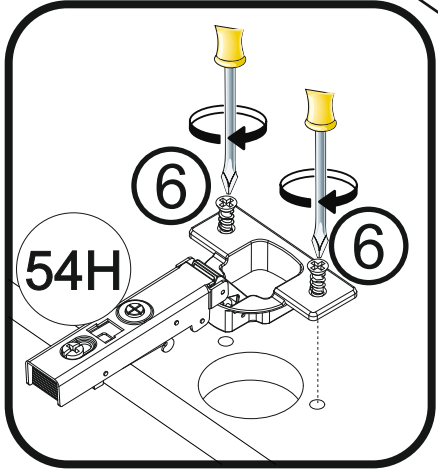
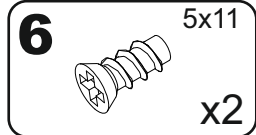
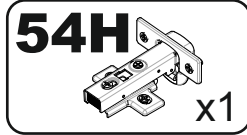
4



5

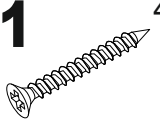
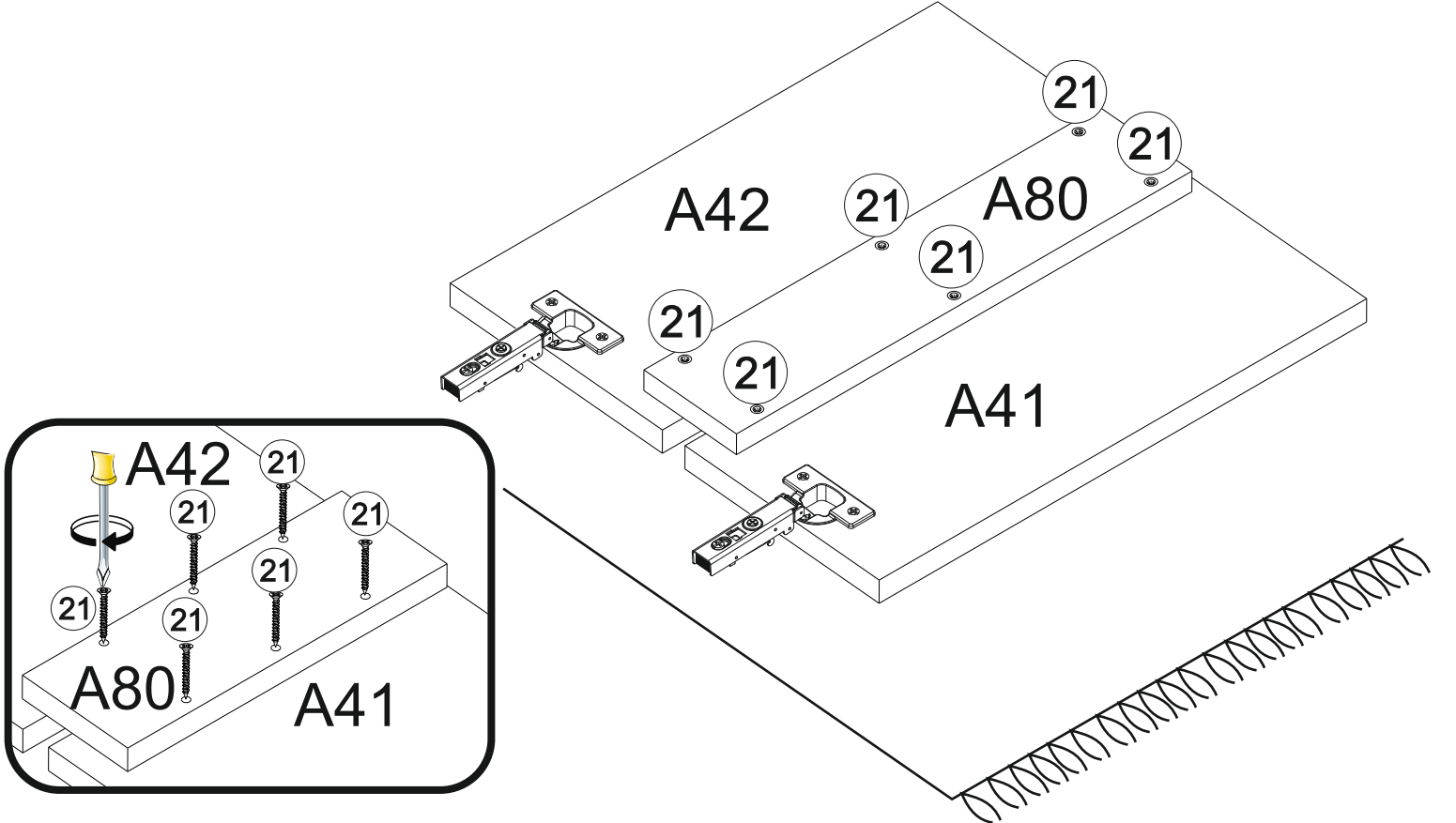


6



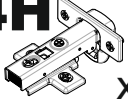
7

21 4x30
x6

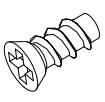
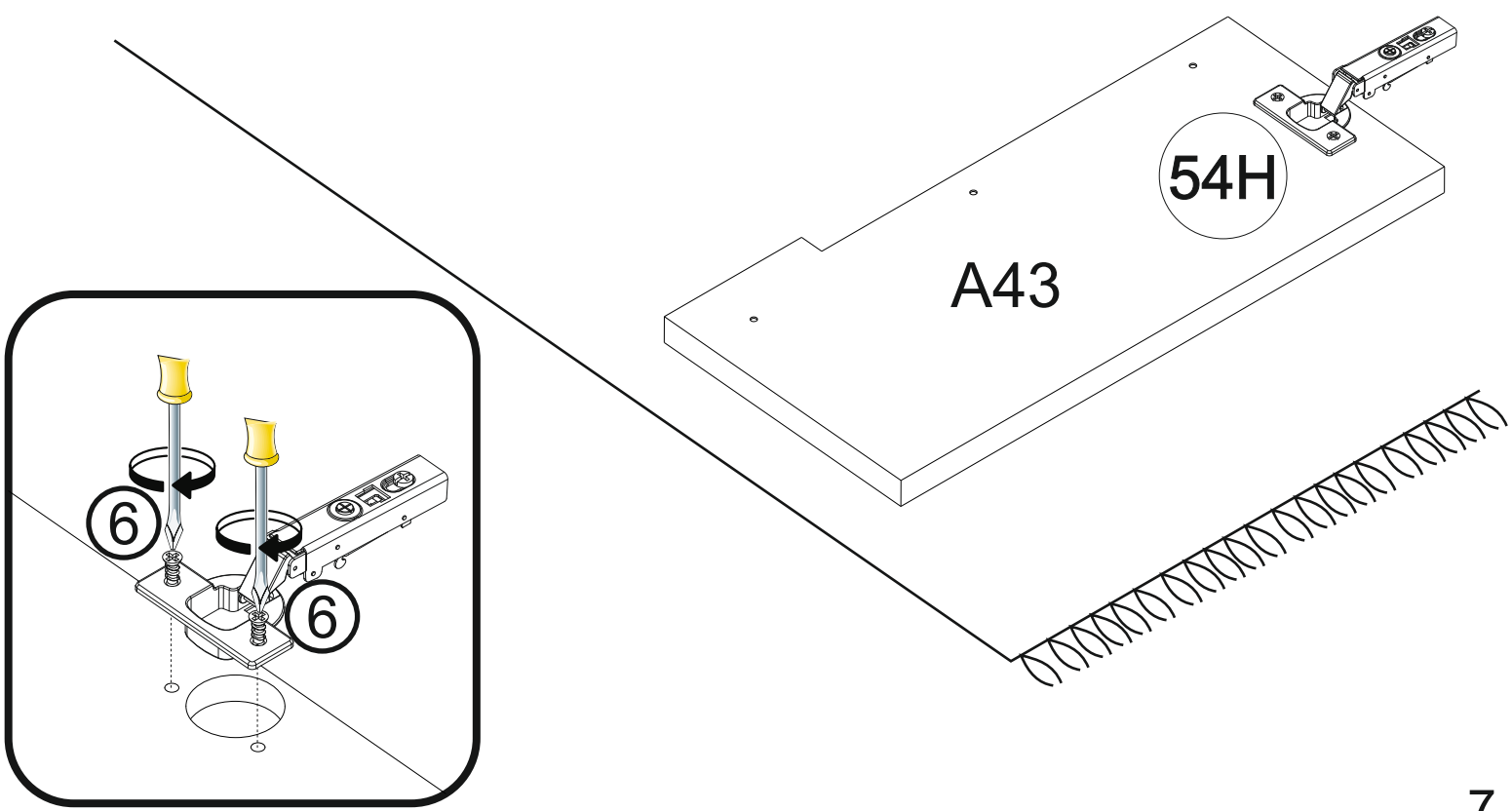



8

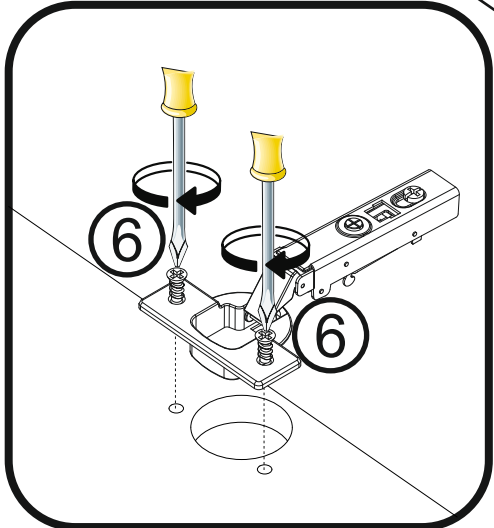
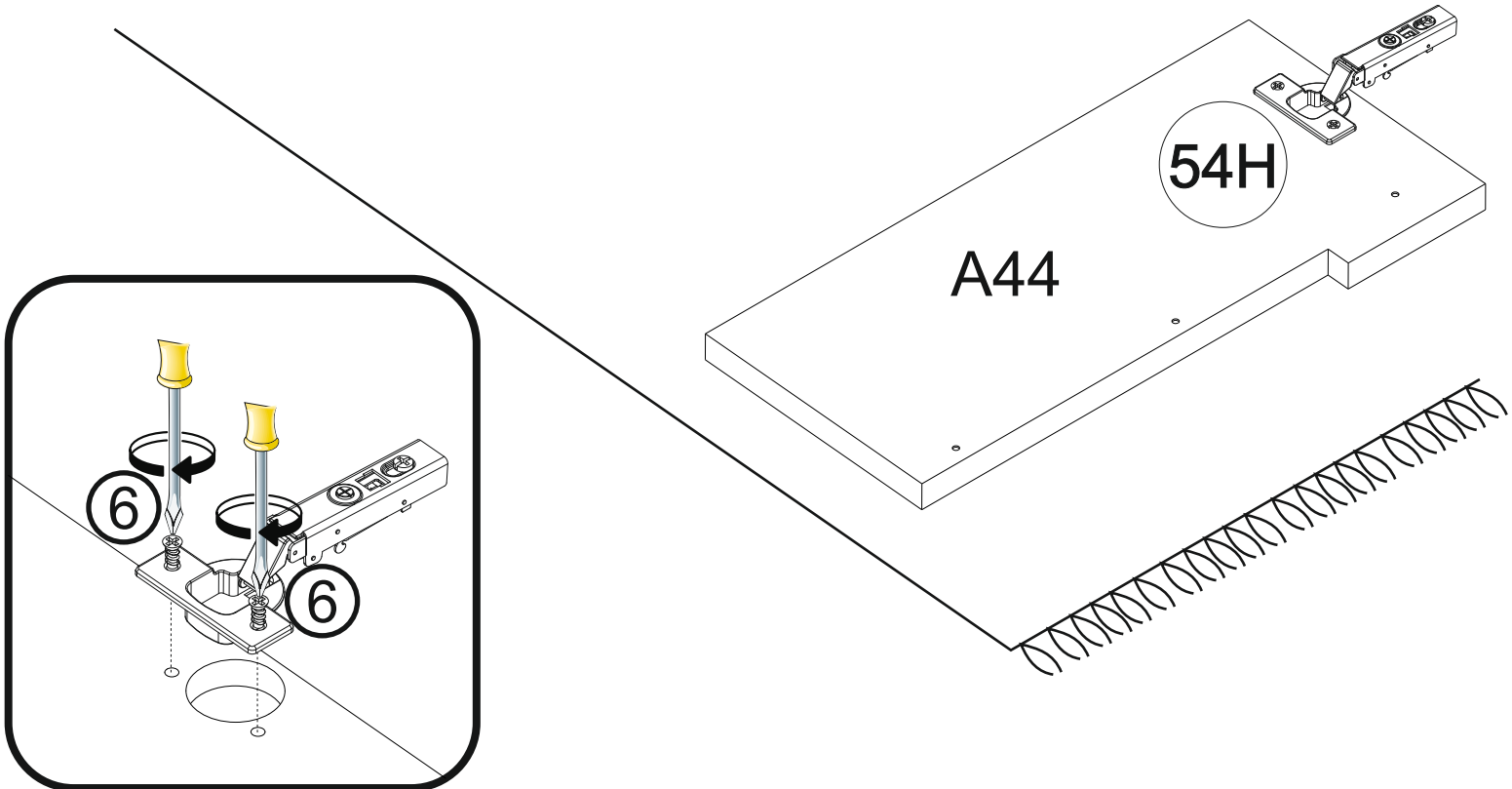
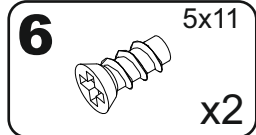
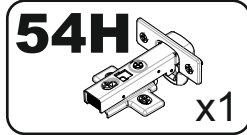
54H x1



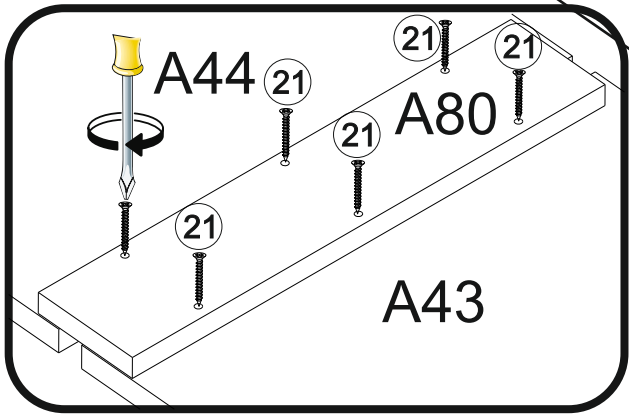
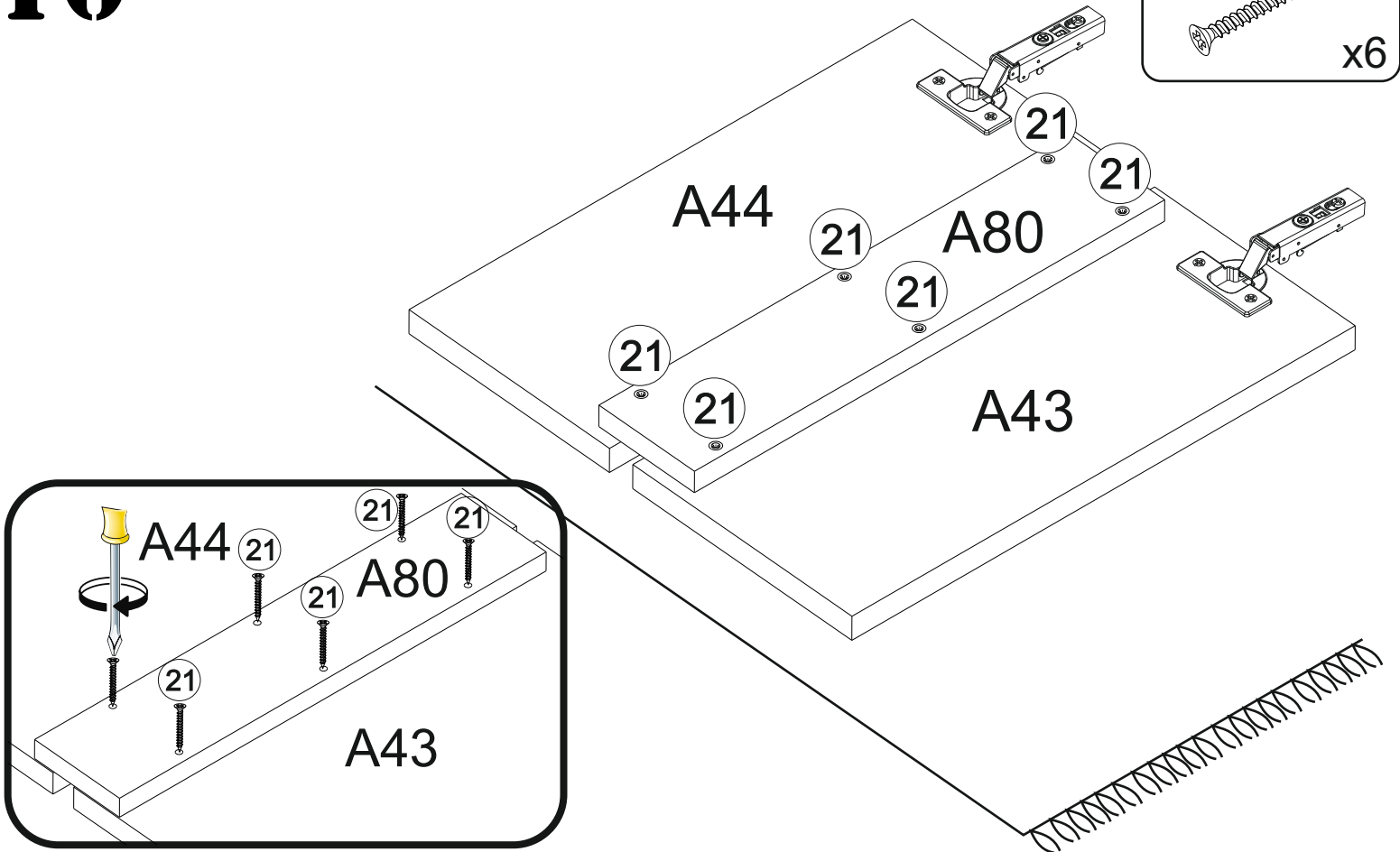
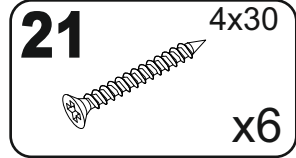
6 5x11
x2


9

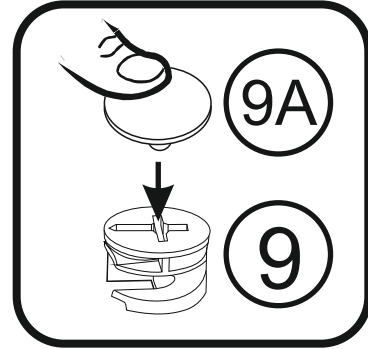
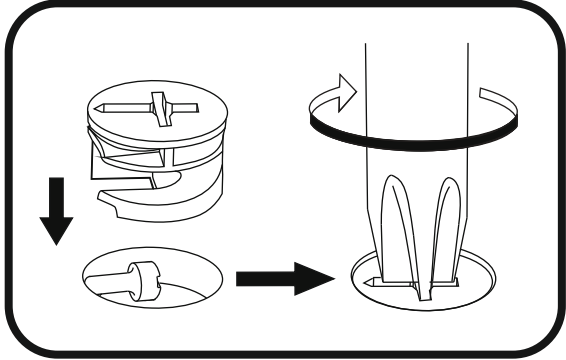
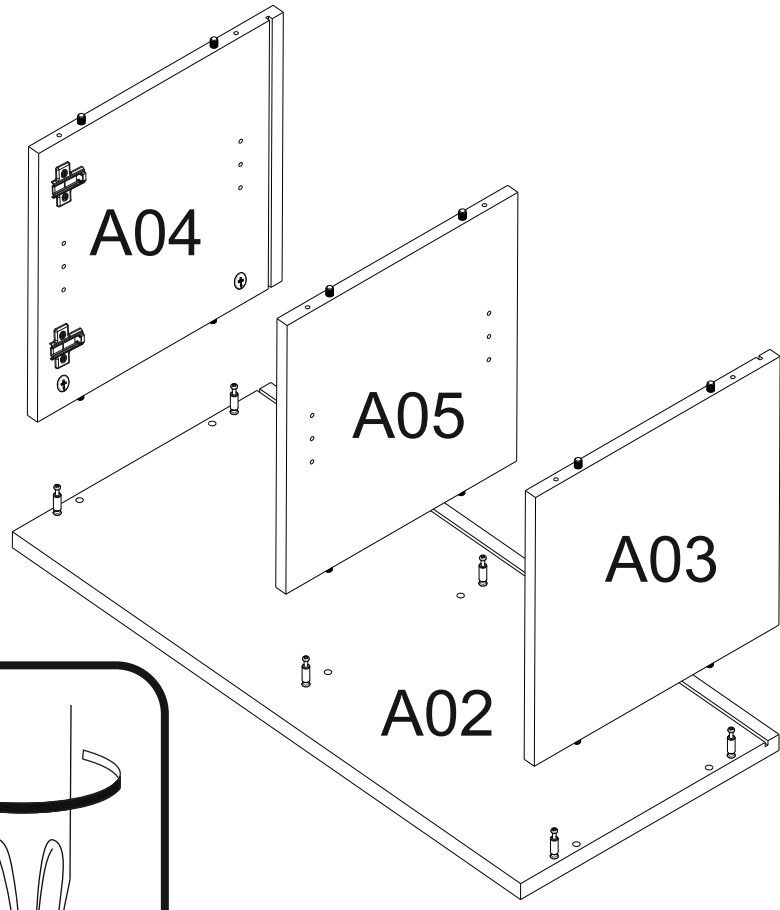


10

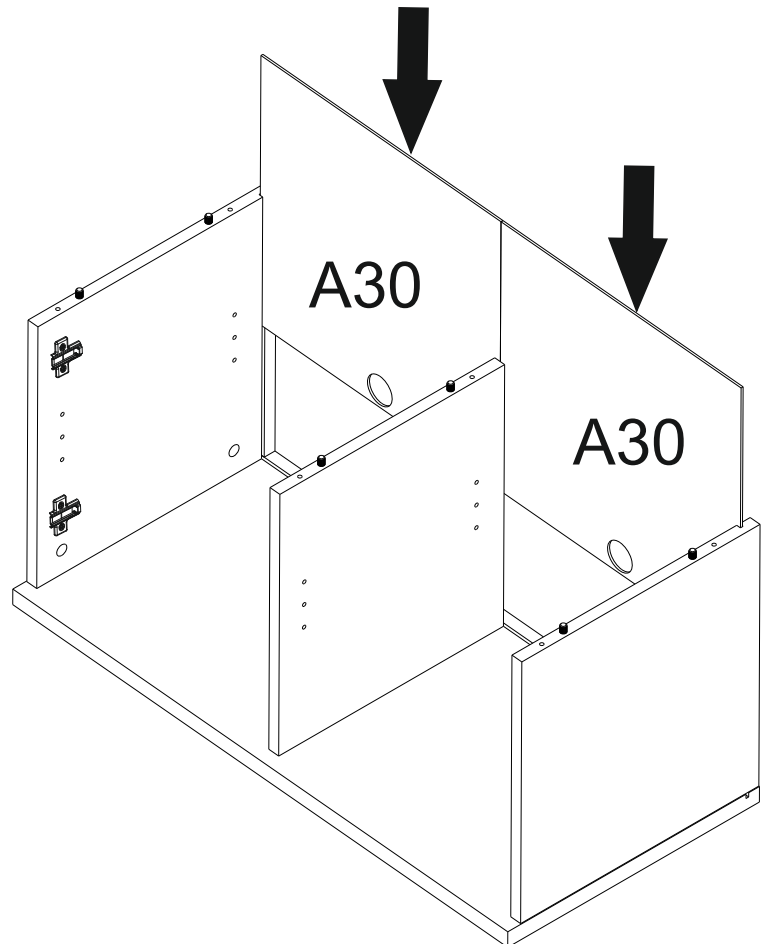


11

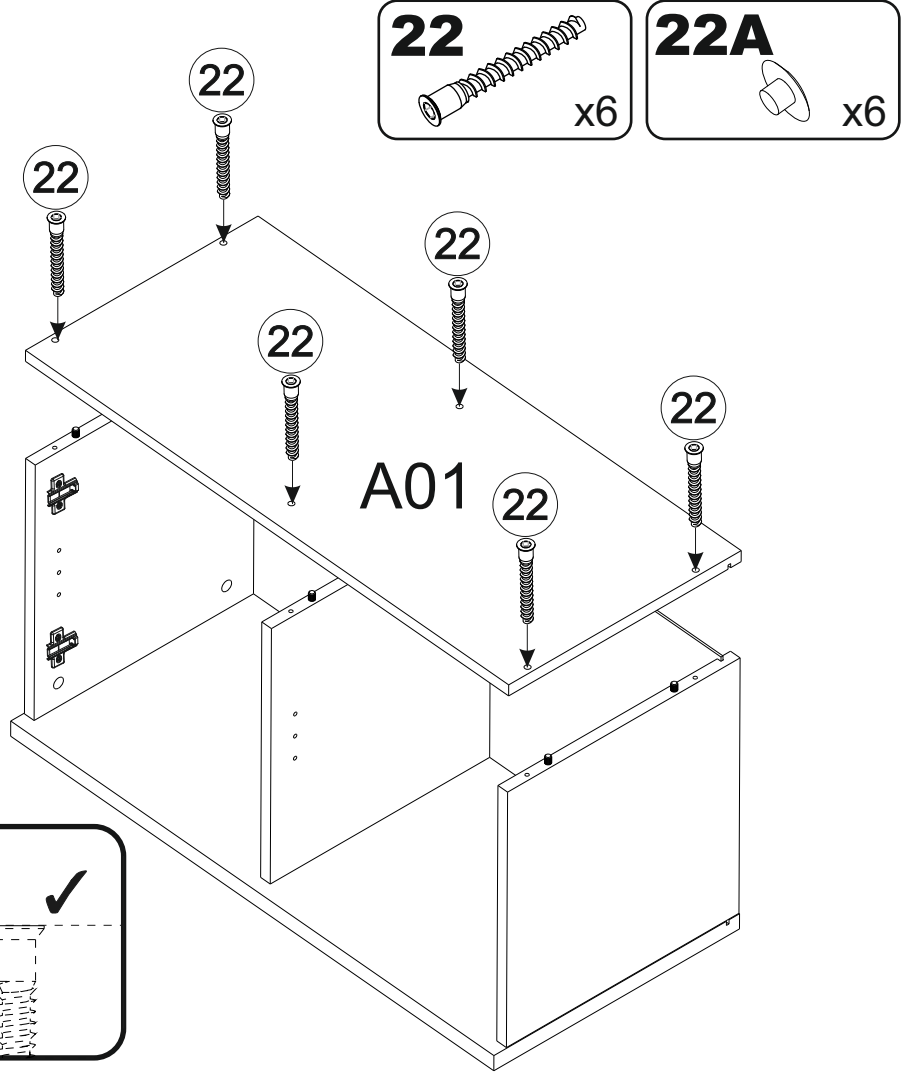
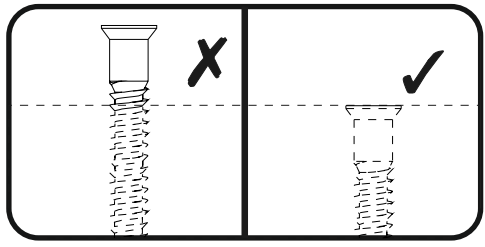
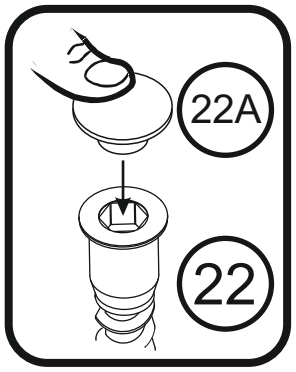
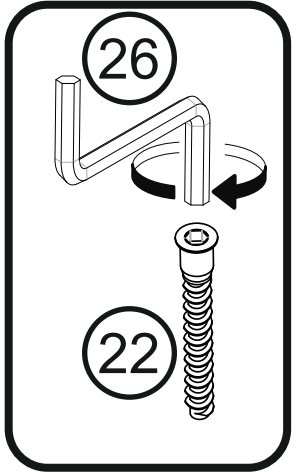
9A  x6



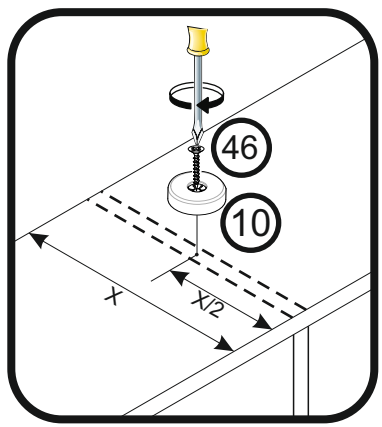
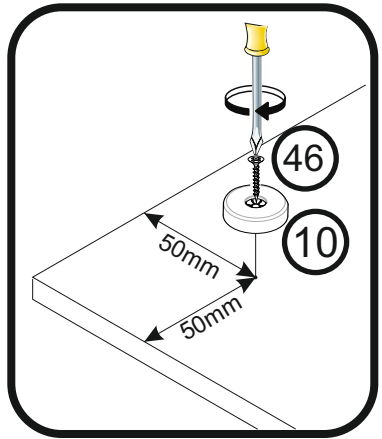
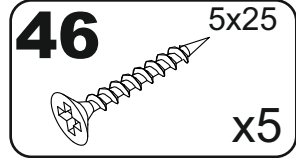
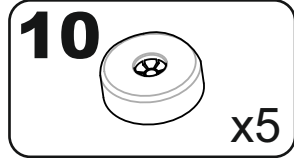
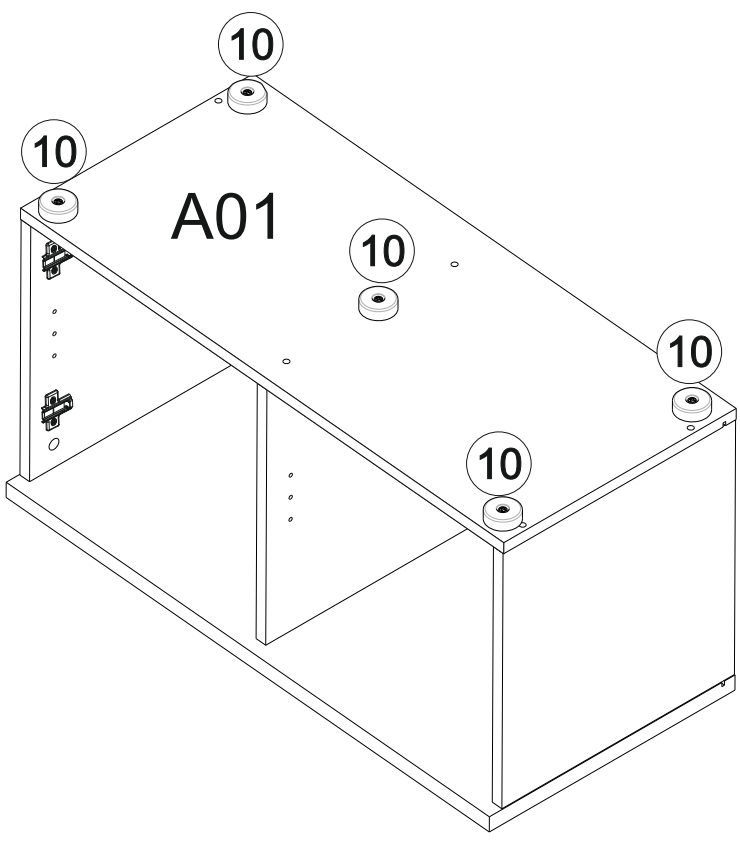
12



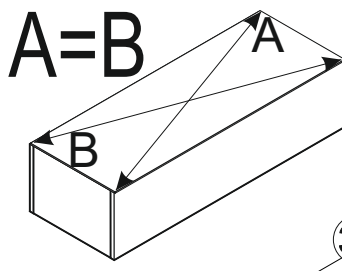
13



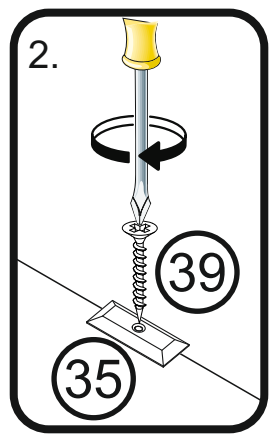
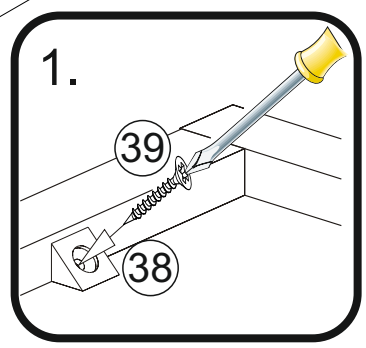
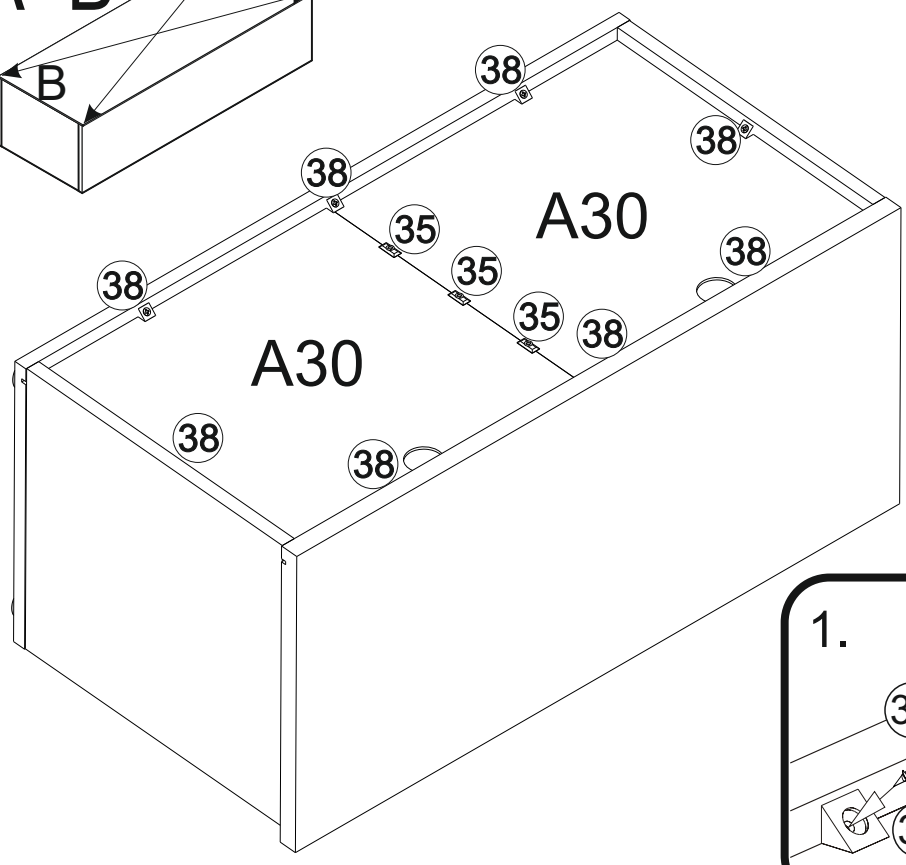
14



15

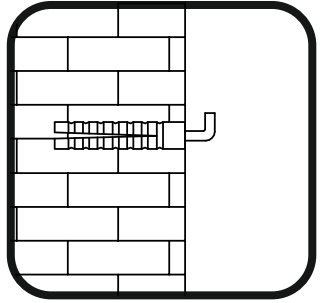
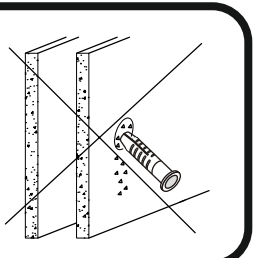
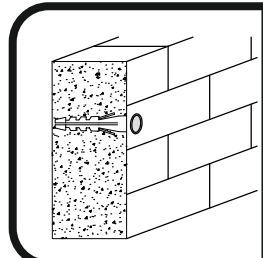
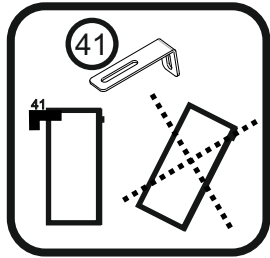
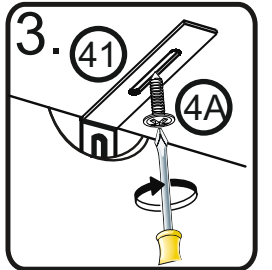
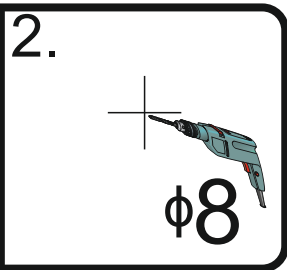
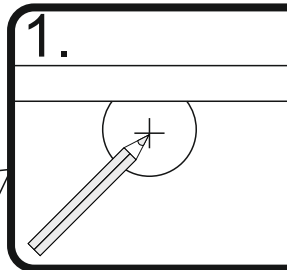
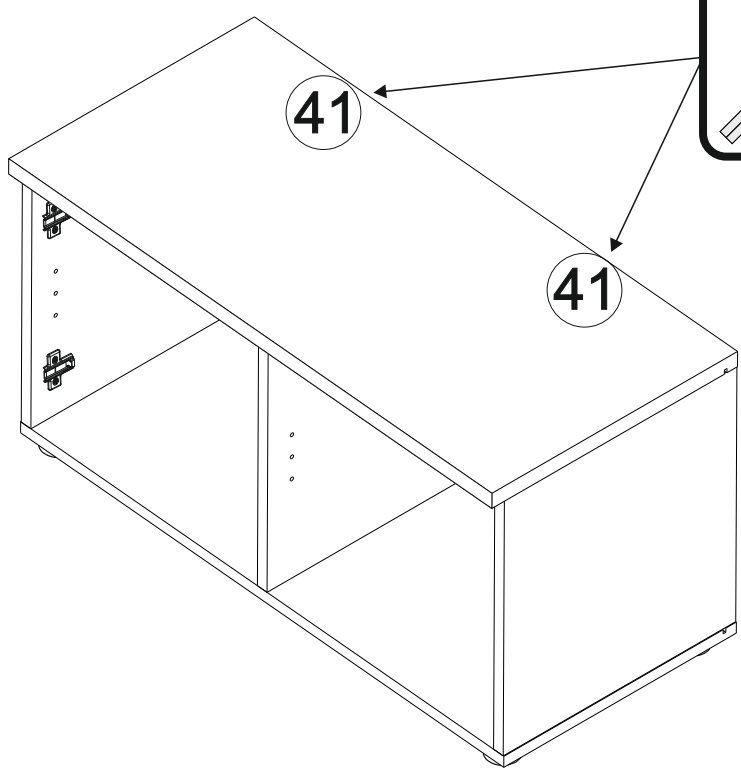


- 35
x3
- 38
x8
- 39
3x20
x11

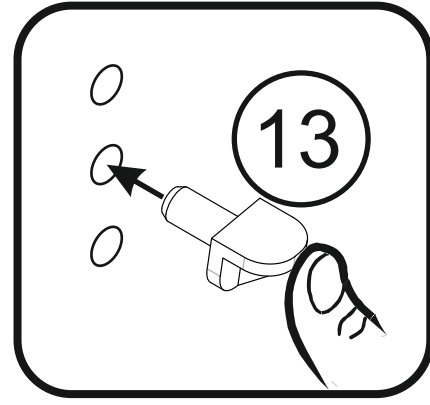
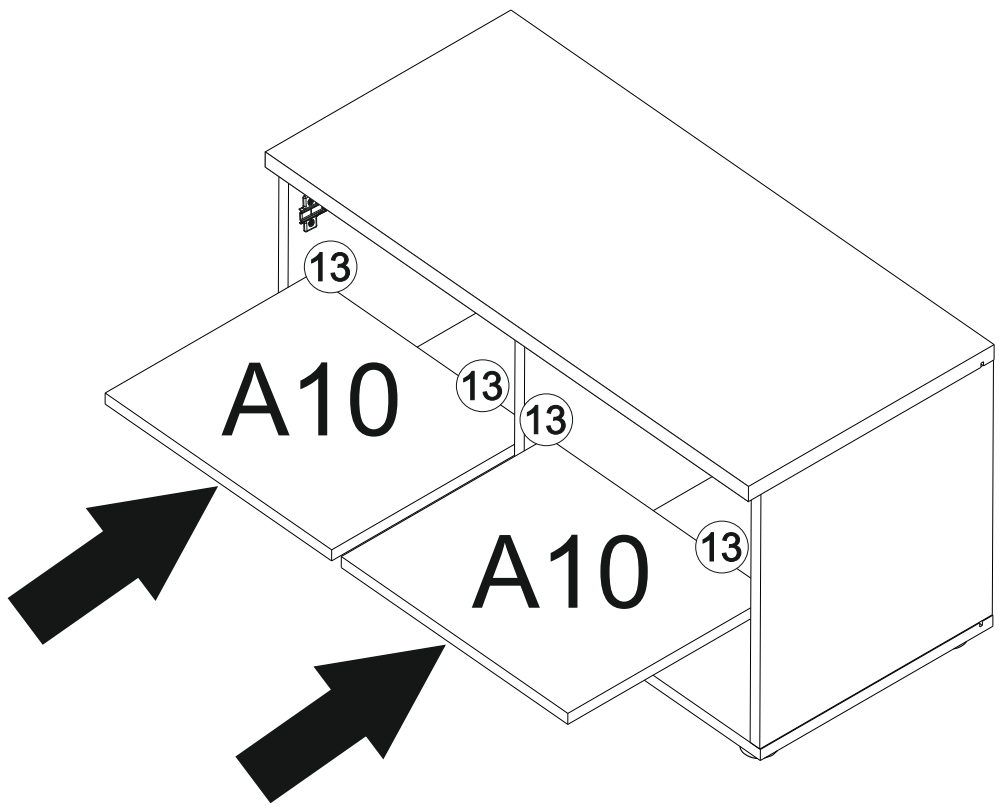
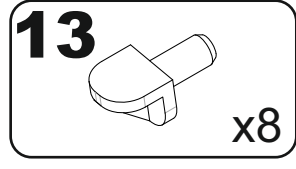


16

- 4A
4x16
x2
- 41
x2
- 80
x2



17



18

