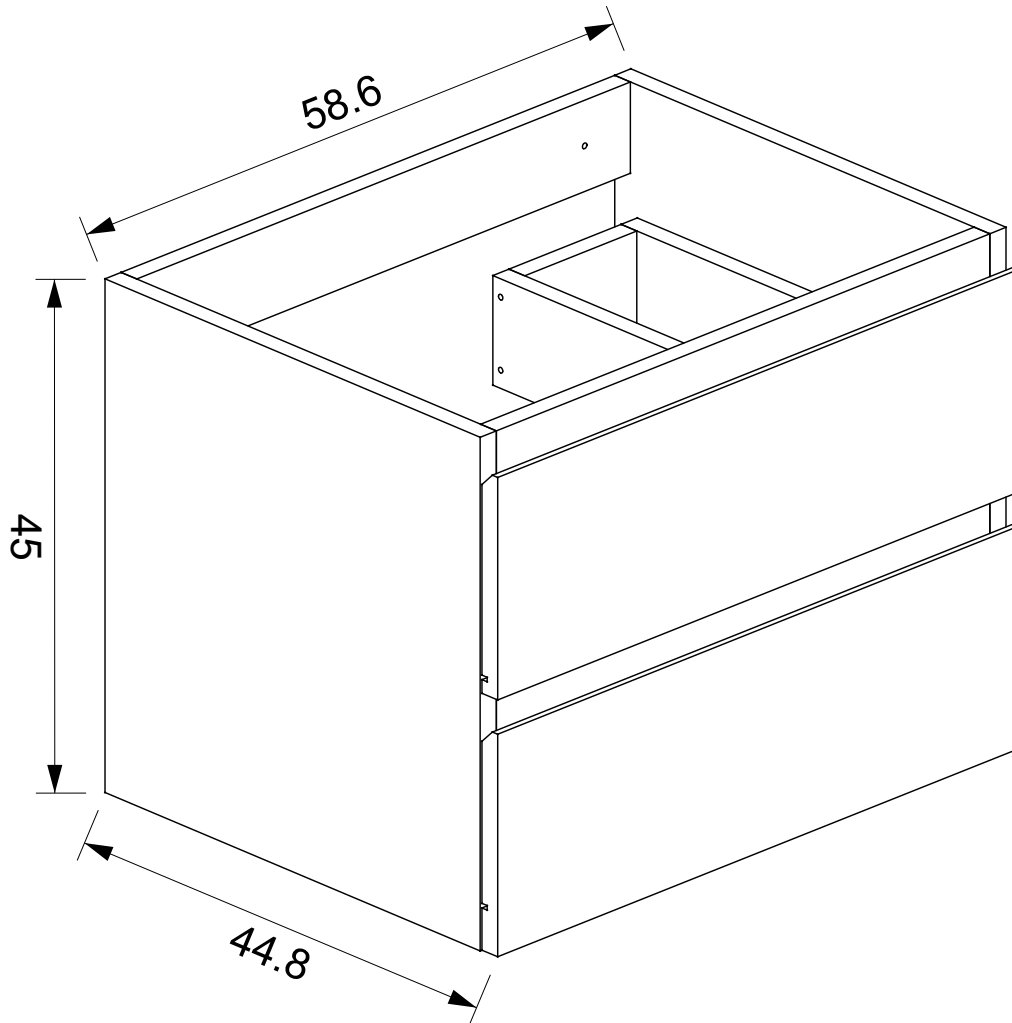
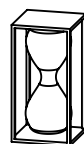
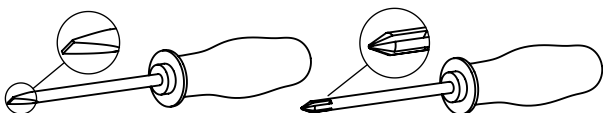




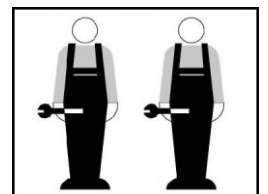
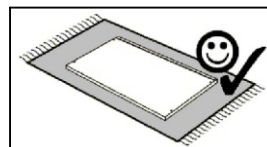
Homeline GmbH & Co.KG Siegfriedstr. 96,32756 Detmold



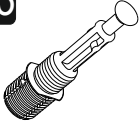

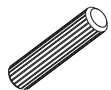
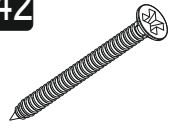

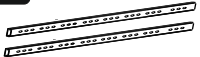



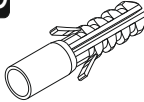

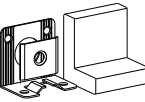
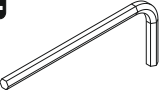
# www.homeline1.de



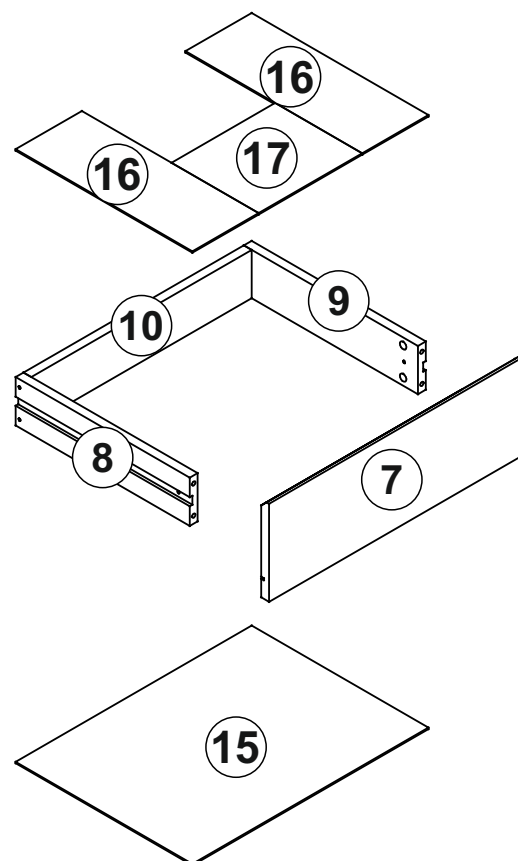
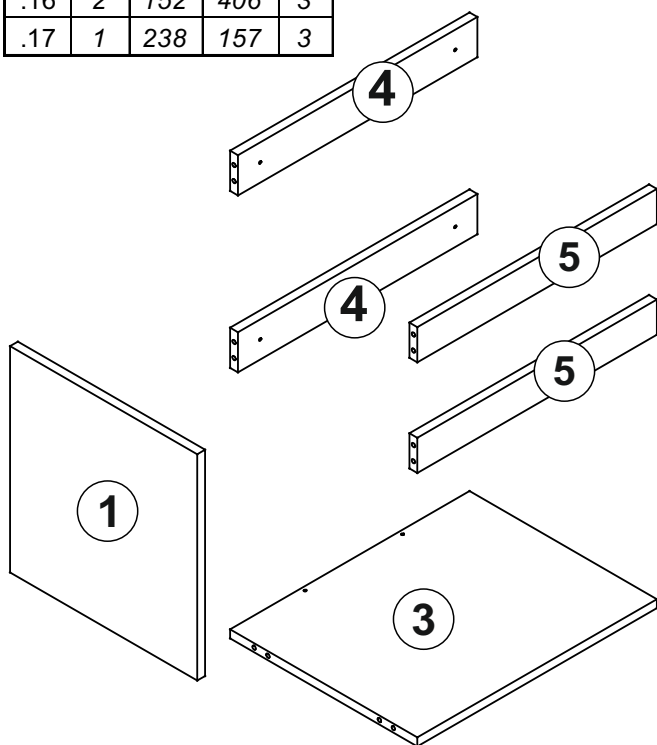
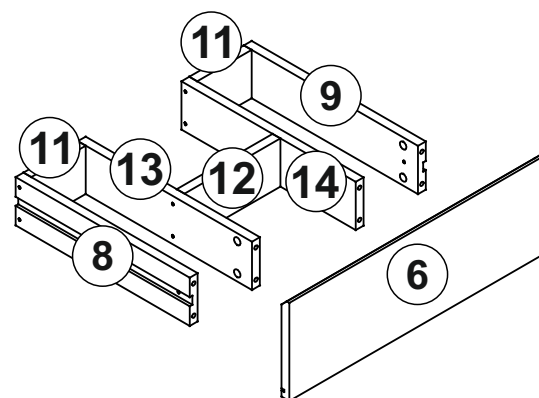
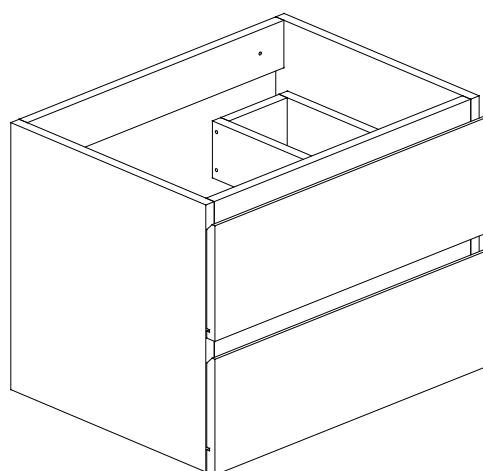
30min



# 60 DLP

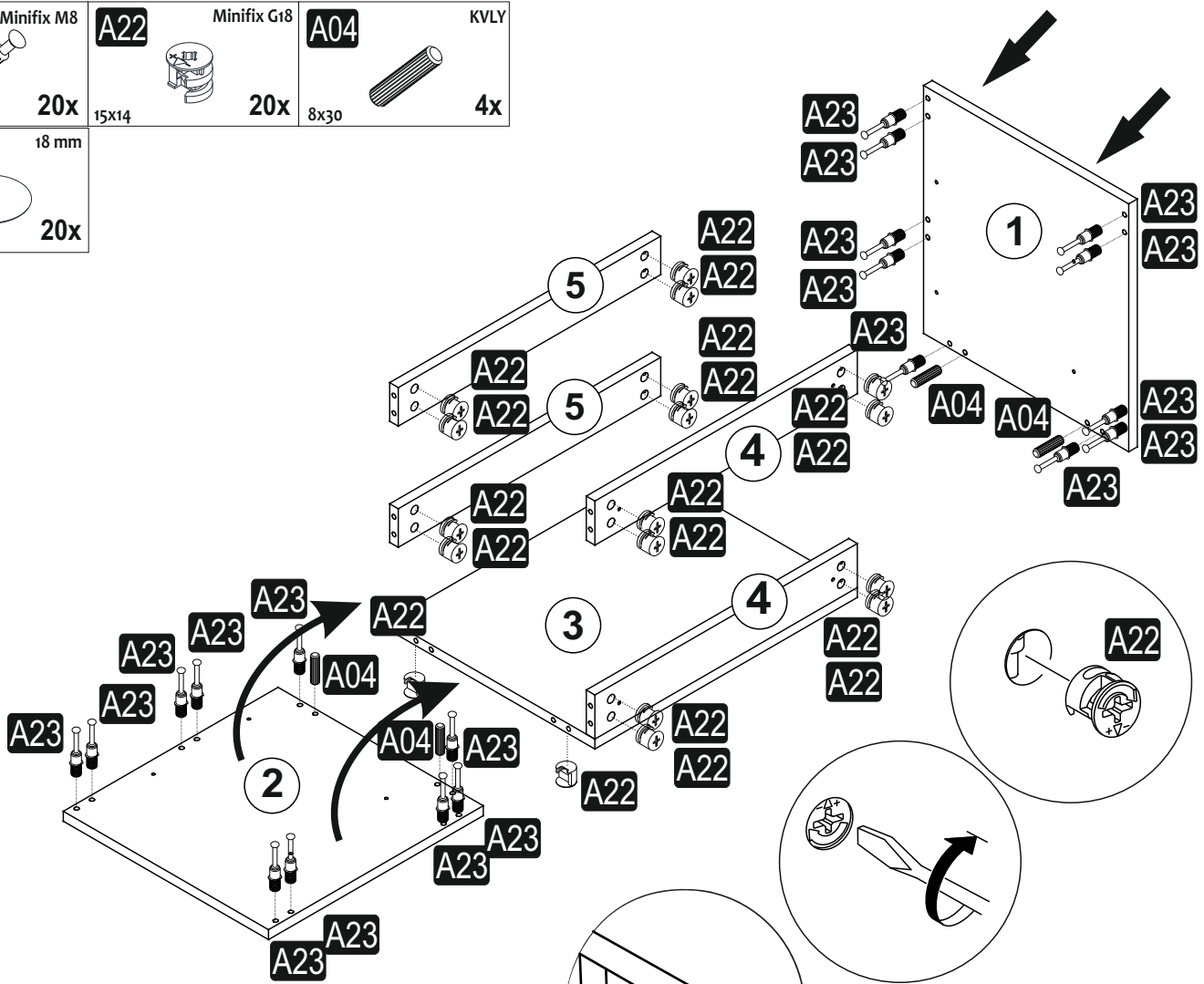
<b>A23</b> Minifix M8  8x34 <b>32x</b>	<b>A22</b> Minifix G18  15x14 <b>32x</b>	<b>A04</b> KVLV  8x30 <b>4x</b>	<b>A42</b> 5x70  <b>6x</b>	<b>A18</b> 3,5x18  <b>16x</b>
<b>R05</b> BLY RAY  17x374 <b>2x</b>	<b>V30</b> MTRK VD  4x15 <b>4x</b>	<b>A48</b> AC  <b>52x</b>	<b>A17</b> 4x50  <b>20x</b>	<b>A16</b> DB 8mm  <b>6x</b>
<b>A06</b> 18 mm  P BYZ <b>32x</b>	<b>A29</b> LA  <b>2x</b>	<b>A12</b> ALYN  4 sw <b>1x</b>		

.01	1	450	430	18
.02	1	450	430	18
.03	1	550	430	18
.04	2	550	80	18
.05	2	550	70	18
.06	1	582	195	18
.07	1	582	195	18
.08	2	400	96	18
.09	2	400	96	18
.10	1	506	96	18
.11	2	125	96	18
.12	1	220	96	18
.13	1	400	96	18
.14	1	400	96	18
.15	1	542	406	3
.16	2	152	406	3
.17	1	238	157	3



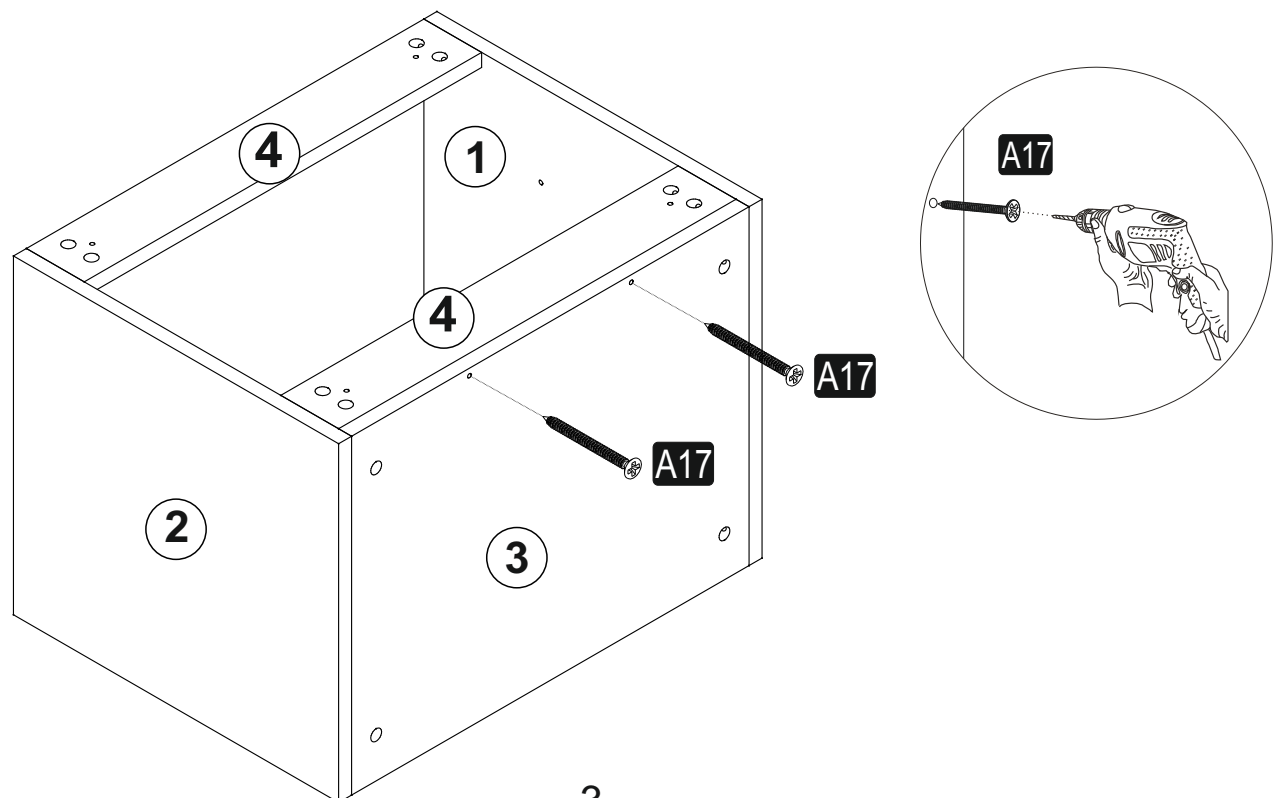
# 1

<b>A23</b> Minifix M8 8x34 20x	<b>A22</b> Minifix G18 15x14 20x	<b>A04</b> KVLY 8x30 4x
<b>A06</b> 18 mm P BYZ 20x		

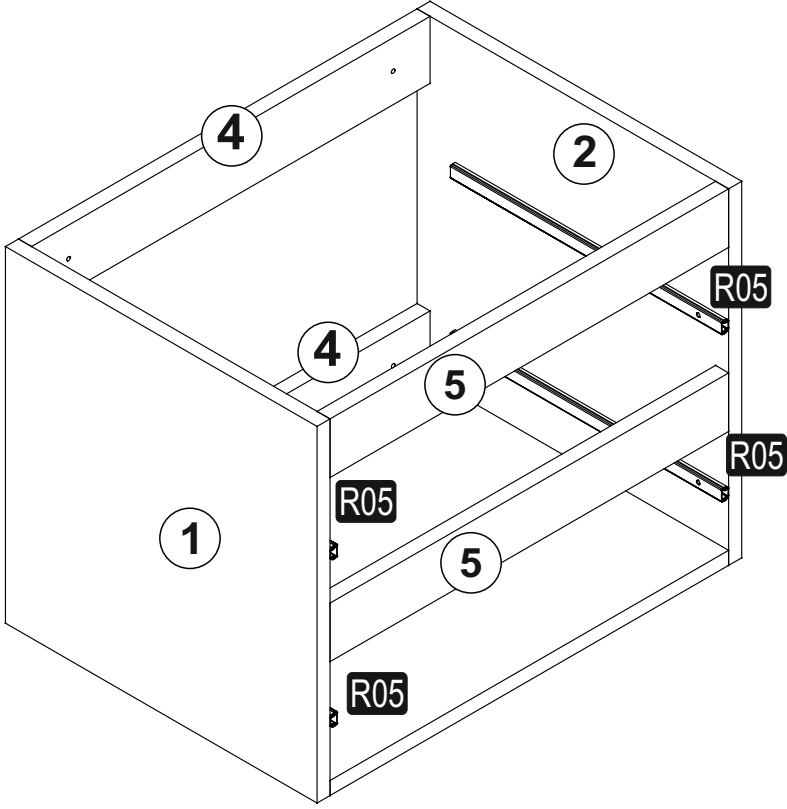


# 2

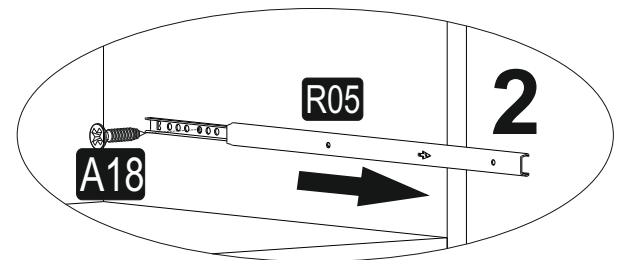
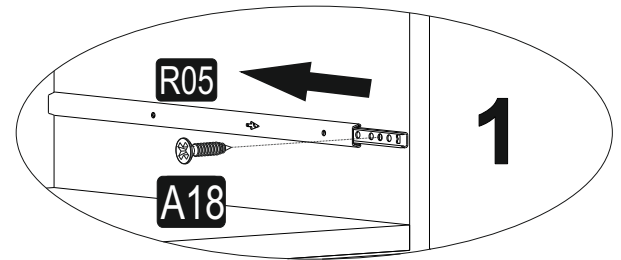
<b>A17</b> 4x50 2x
--------------------------



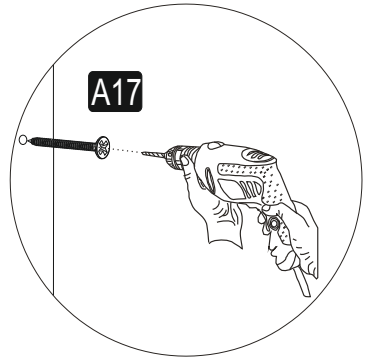
# 3



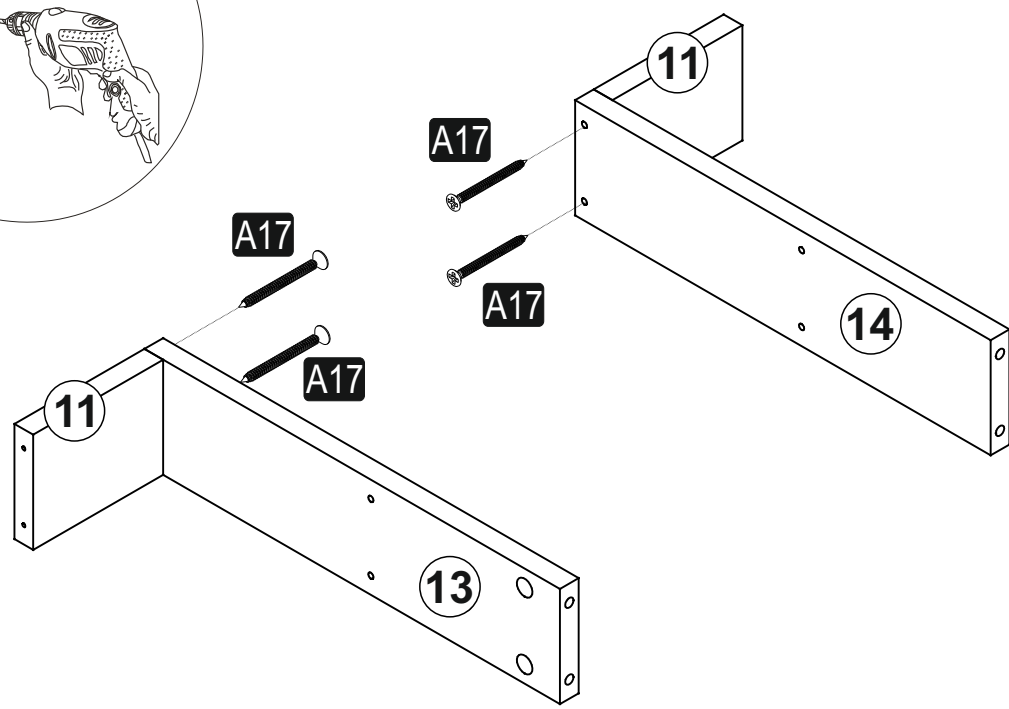
<b>R05</b>	BLY RAY
17x374	2x
<b>A18</b>	3,5x18
	8x



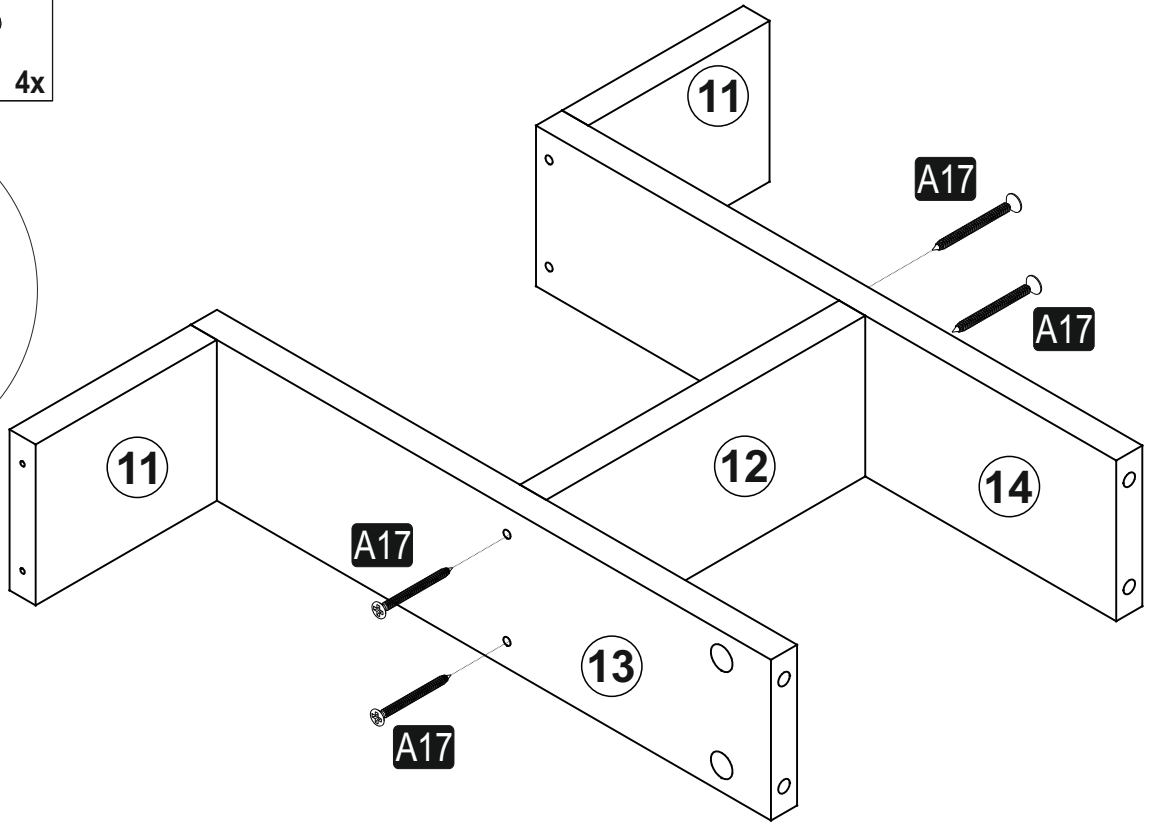
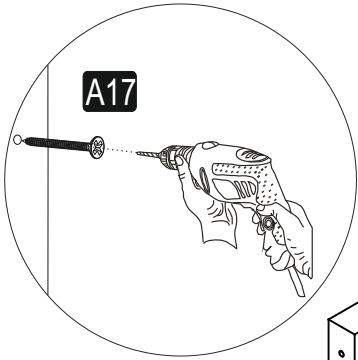
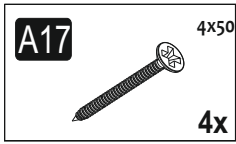
# 4



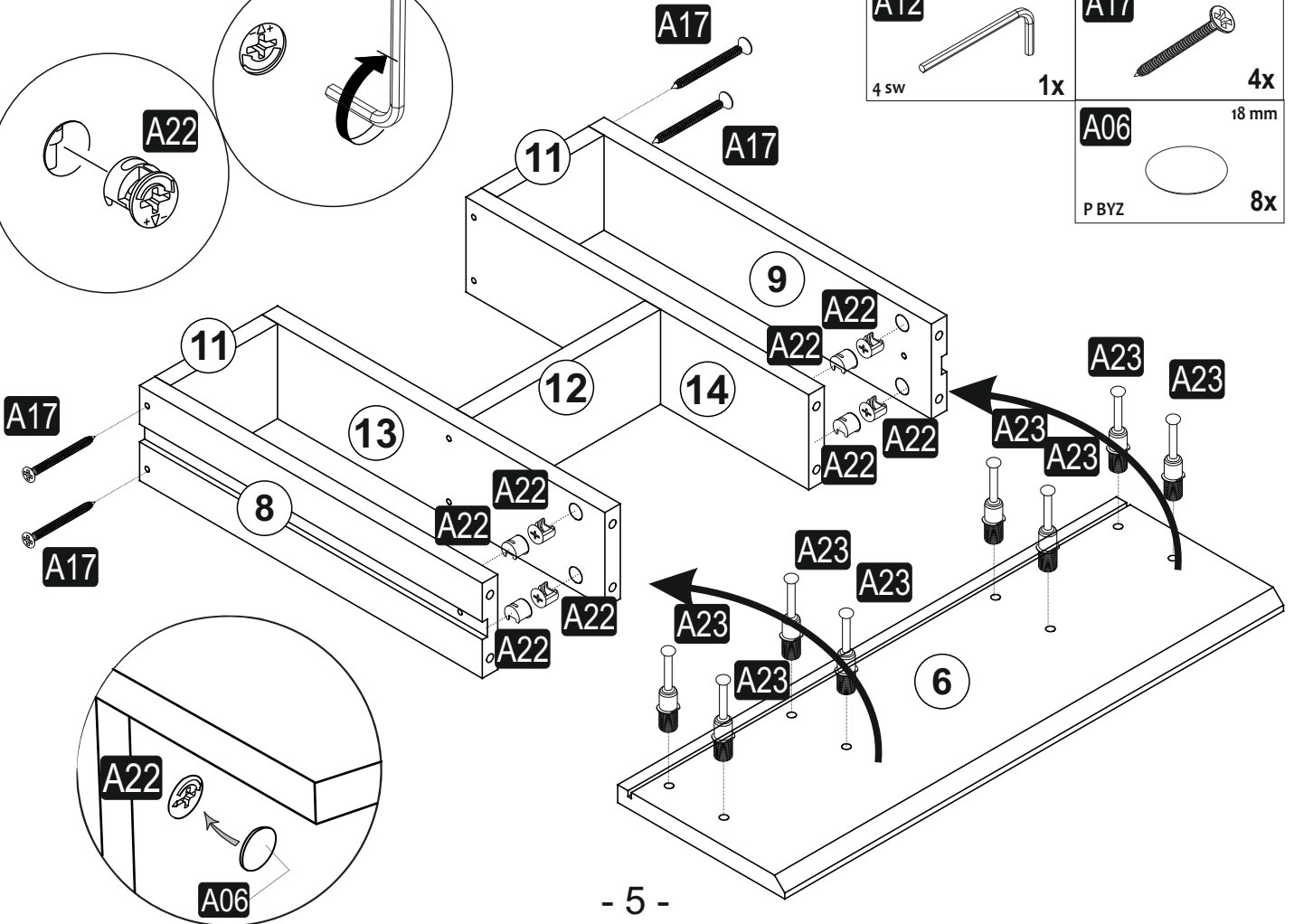
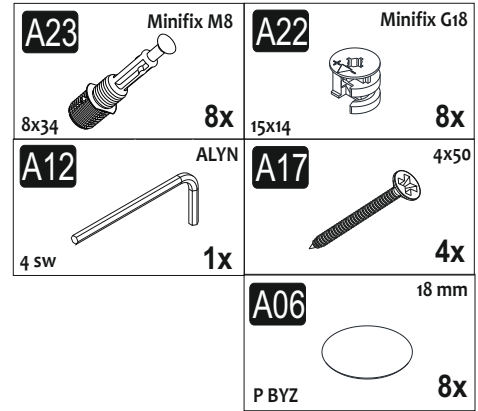
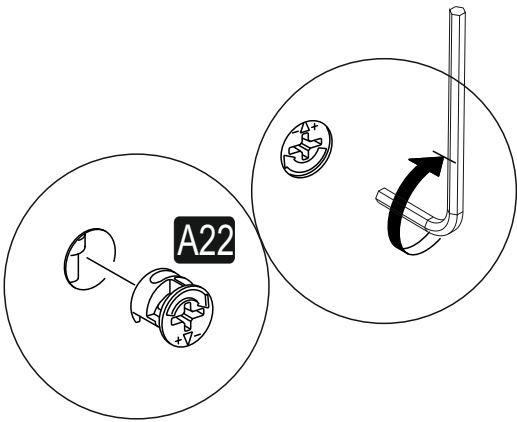
<b>A17</b>	4x50
	4x



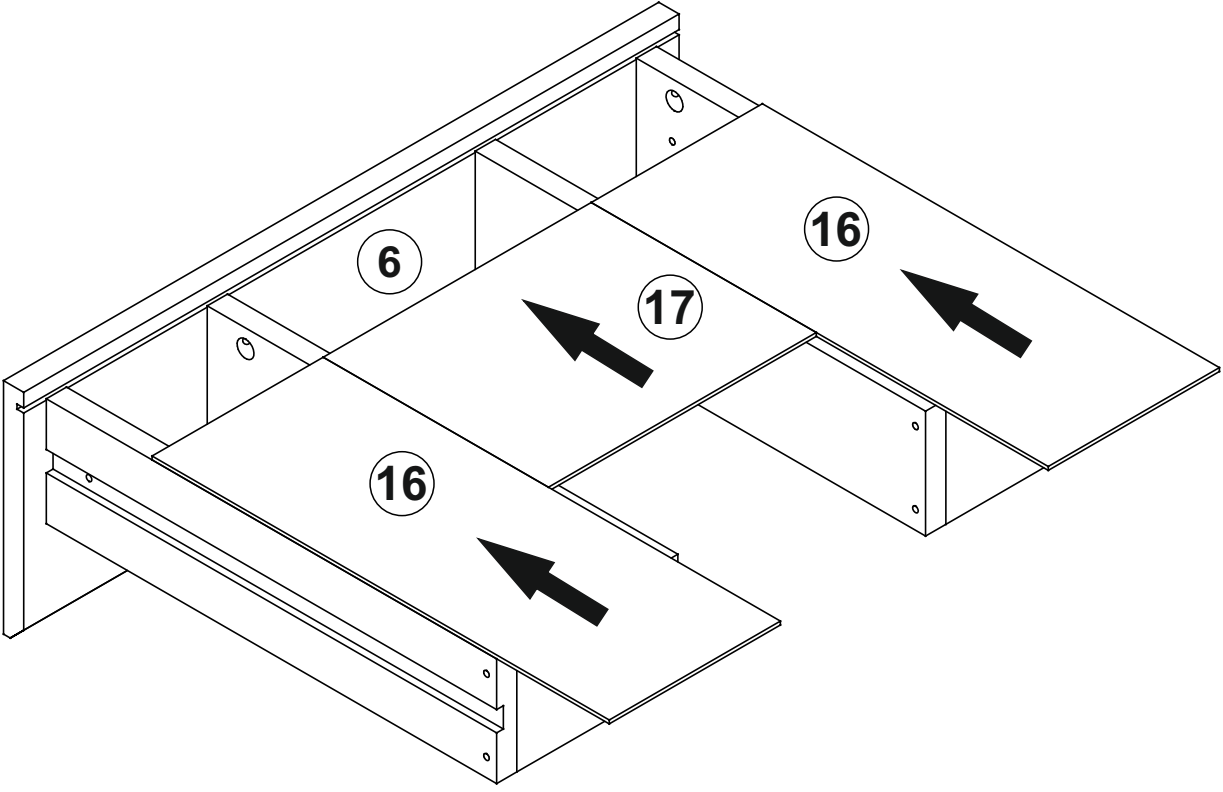
5



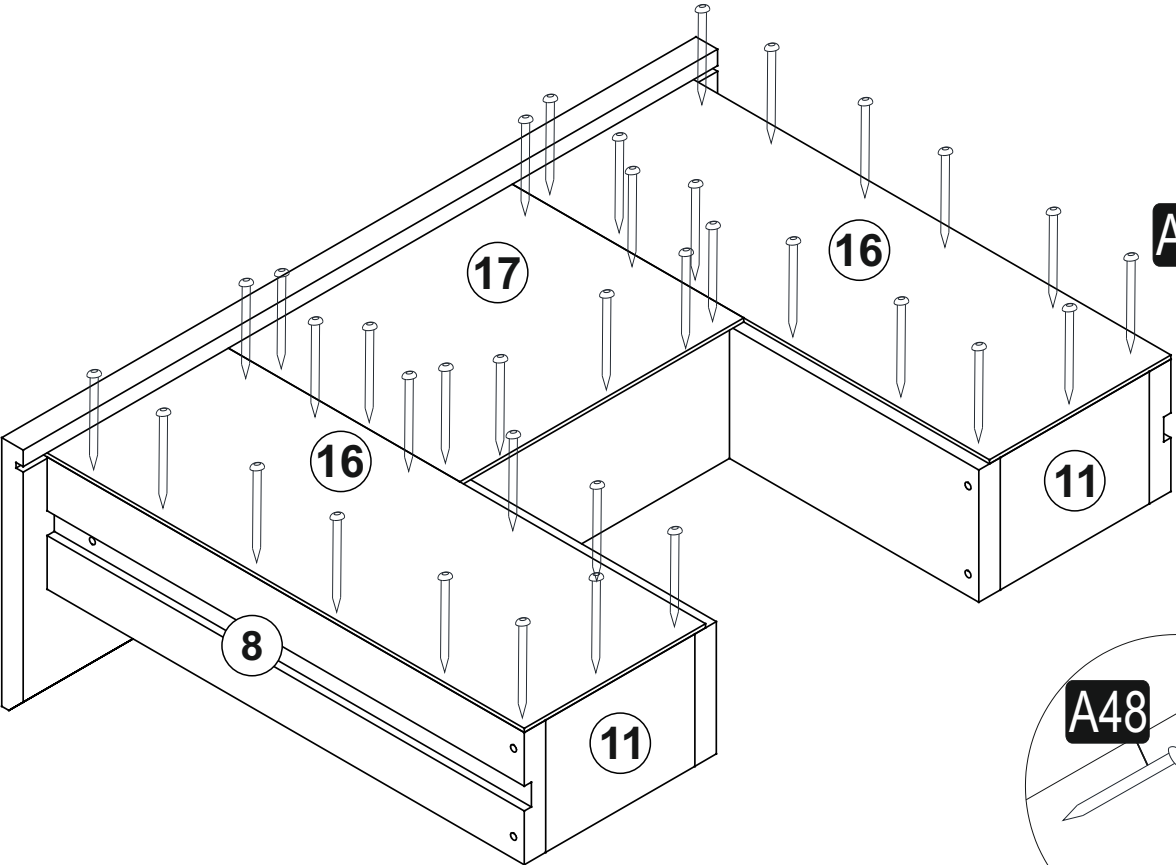
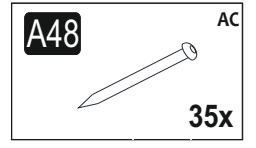
6



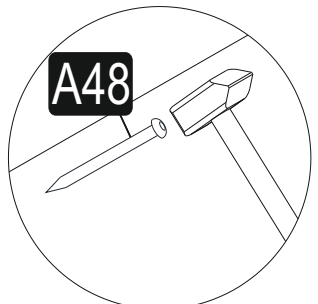
7



8



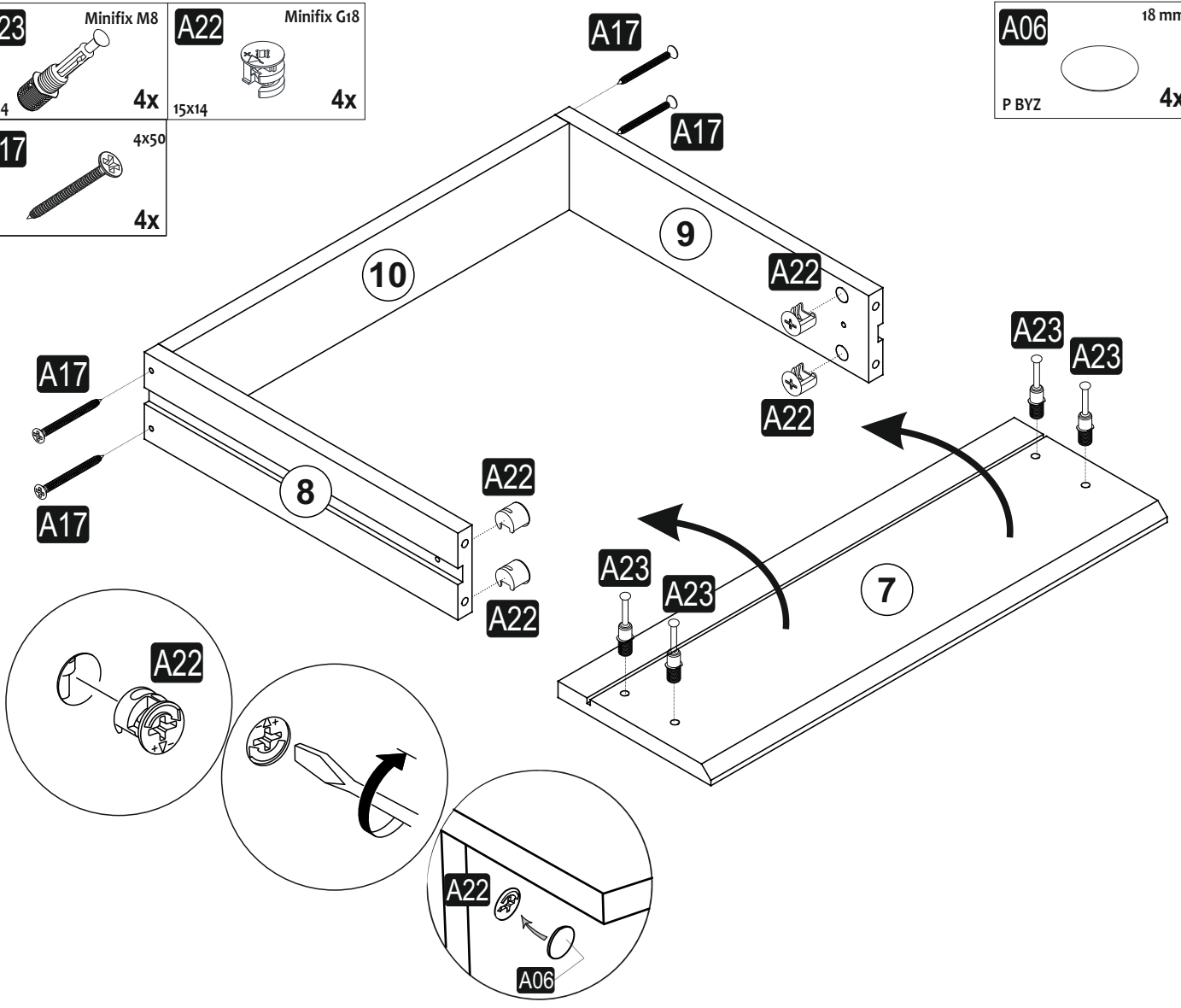
A48



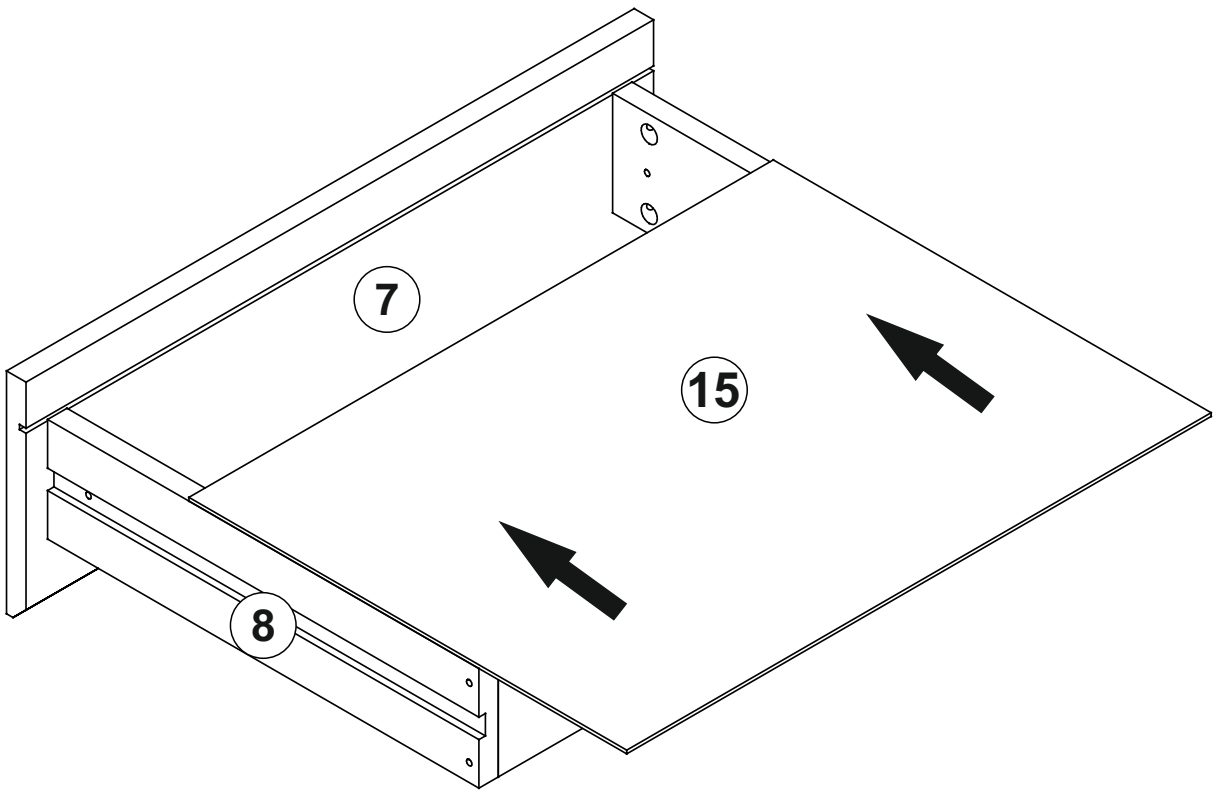
9

<b>A23</b> Minifix M8 8x34 4x	<b>A22</b> Minifix G18 15x14 4x
<b>A17</b> 4x50 4x	

<b>A06</b> 18 mm P BYZ 4x
------------------------------------

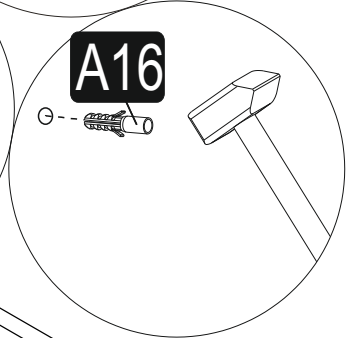
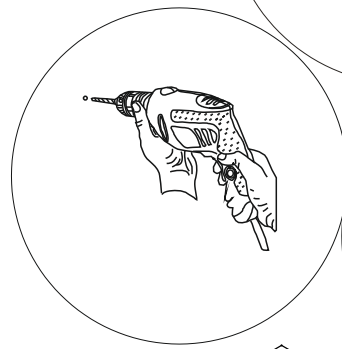
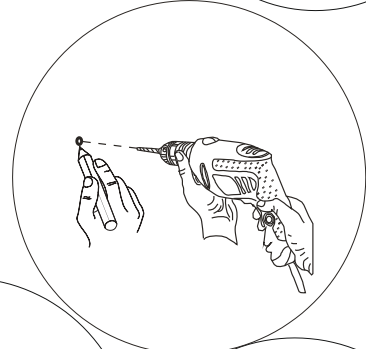
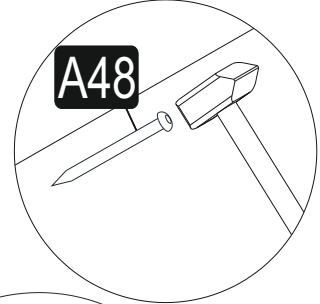
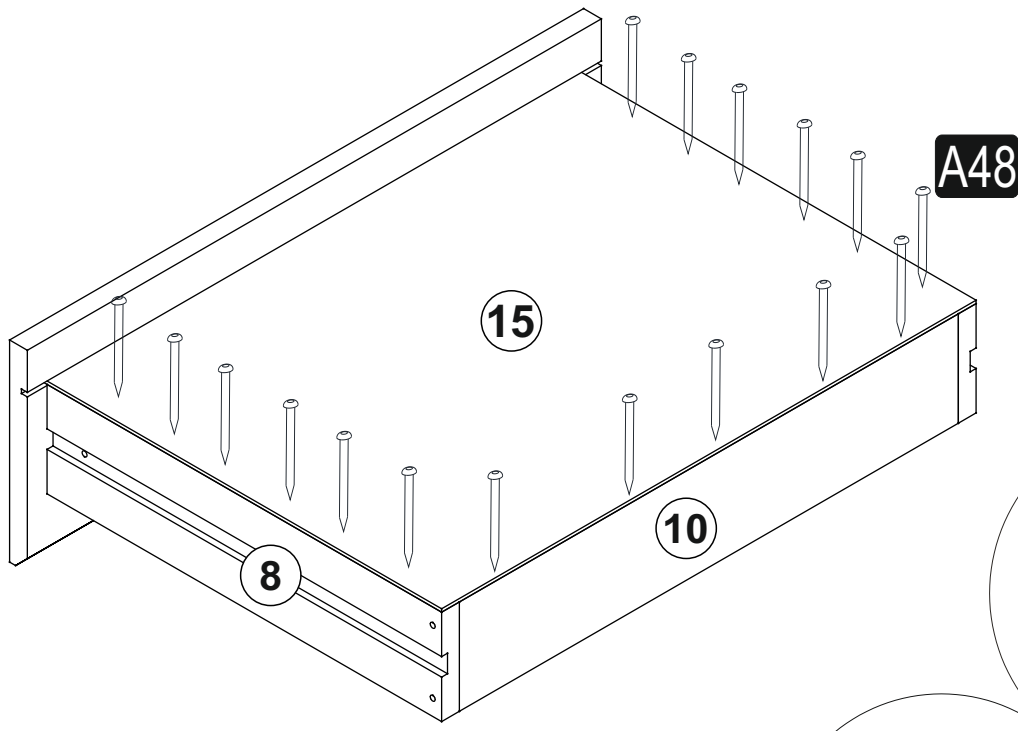


10



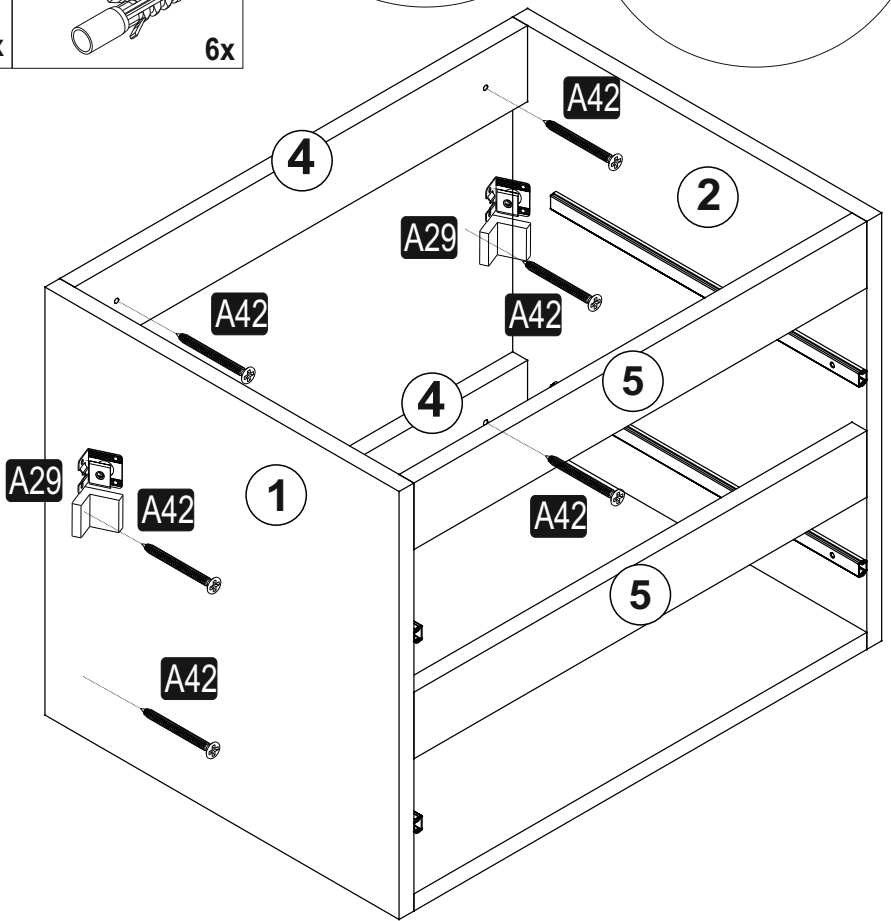
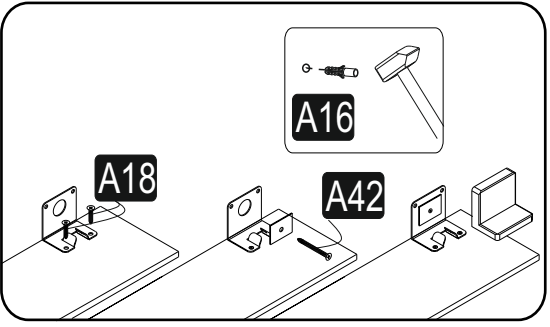
# 11

**A48** AC  
17x



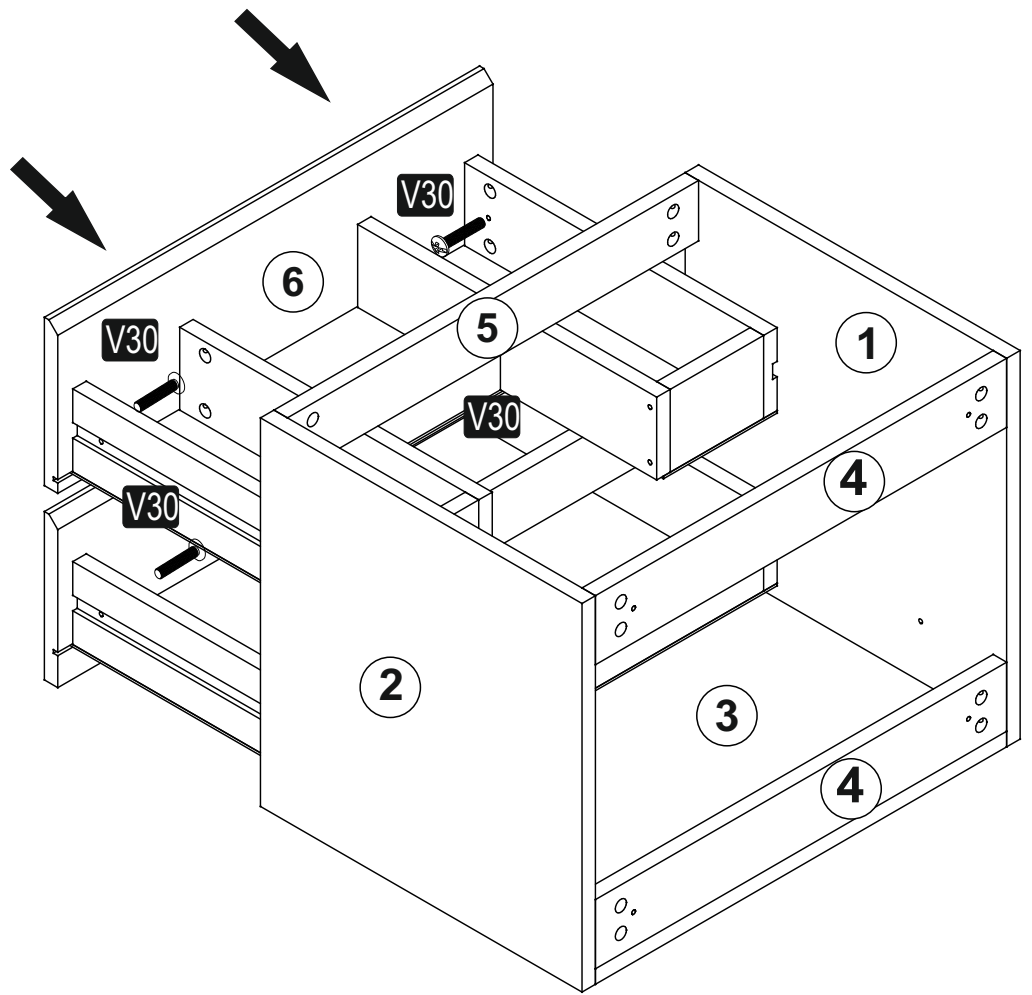
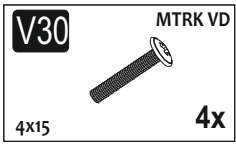
# 12

<b>A42</b> 5x70 6x	<b>A18</b> 3,5x18 8x	<b>A16</b> DB 8mm 6x
<b>A29</b> LA 2x		





# 13



# 14

