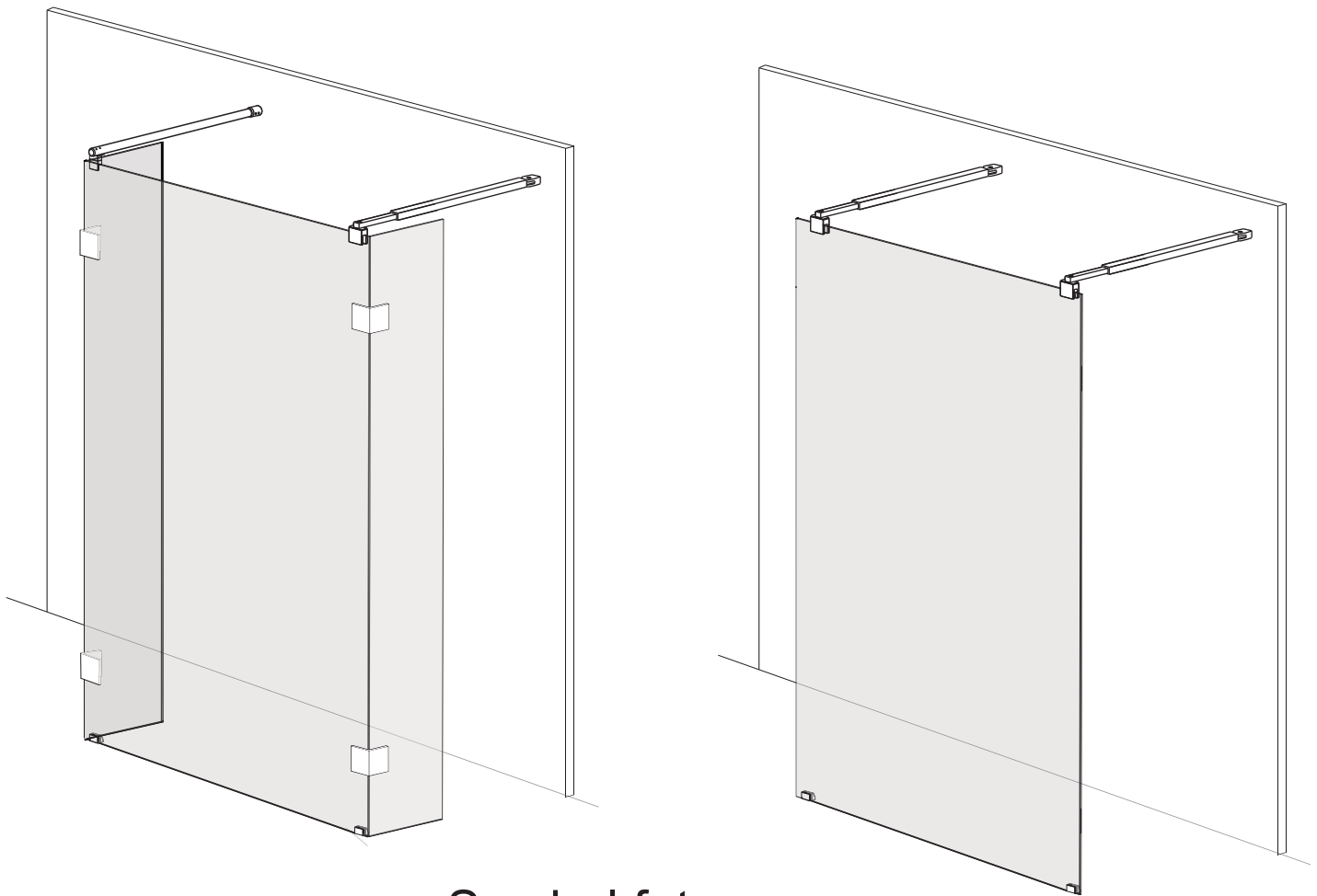




- D Montageanleitung
 E Mounting Instruction
 HR Uputi za upotrebu
 SLO Navodlilo za monta o kadi
 HU Útmutató a zuhanykabin beszereléséhez
 RO Instructiuni de montaj
 CZ Návod k montá I vany
 SK Návod na montáž
 TR Montaj Klavuzu
 BG Инструкции за монтаж



Symbol foto

201801



SANOTECHNIK
 Handelsgesellschaft m.b.H.
 Industriestraße 5
 A-2752 Wöllersdorf
 Tel.: +43 2622 / 421 93 0
 Fax: +43 2622 / 421 93 6
 office@sanotechnik.at
 www.sanotechnik.com



SANOTECHNIK Hungária Kft.
MAGYARORSZÁG
 Nagytétényi út 112
 H-1222 BUDAPEST
 Tel.: (+36 1) 424 06 70
 Fax: (+36 1) 424 06 79
 info@sanotechnik.hu
 www.sanotechnik.com



SC Sanotechnik COM Rumänien S.R.L
ROMANIA
 Tancabesti, DN 1, KM 26,5
 Com. Snagov, jud. Ilfov
 Tel.: +40 21 350 13 43
 Fax: +40 21 350 13 44
 office@sanotechnik.ro
 www.sanotechnik.com

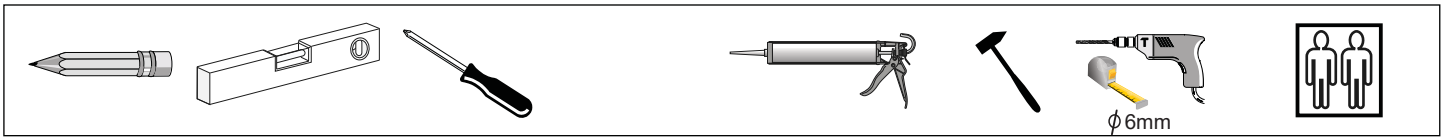


SANOTECHNIK d.o.o.
SLOVENIJA
 Stritarjevca ulica 24
 SI-2000 MARIBOR
 Tel. +3862/4213350
 Fax +3862/4213358
 info@sanotechnik.si
 www.sanotechnik.com

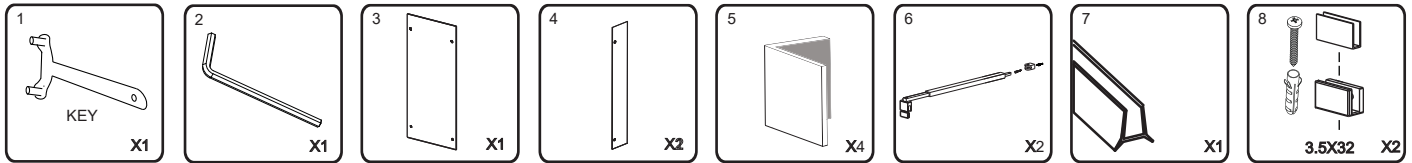


Sanotechnik Bulgaria Ltd.
BULGARIA
 3, Georgi Benev St.
 BG-4003 Plovdiv
 Tel: +359 32 961101
 Fax: +359 32 961102
 office@sanotechnik.bg
 www.sanotechnik.com

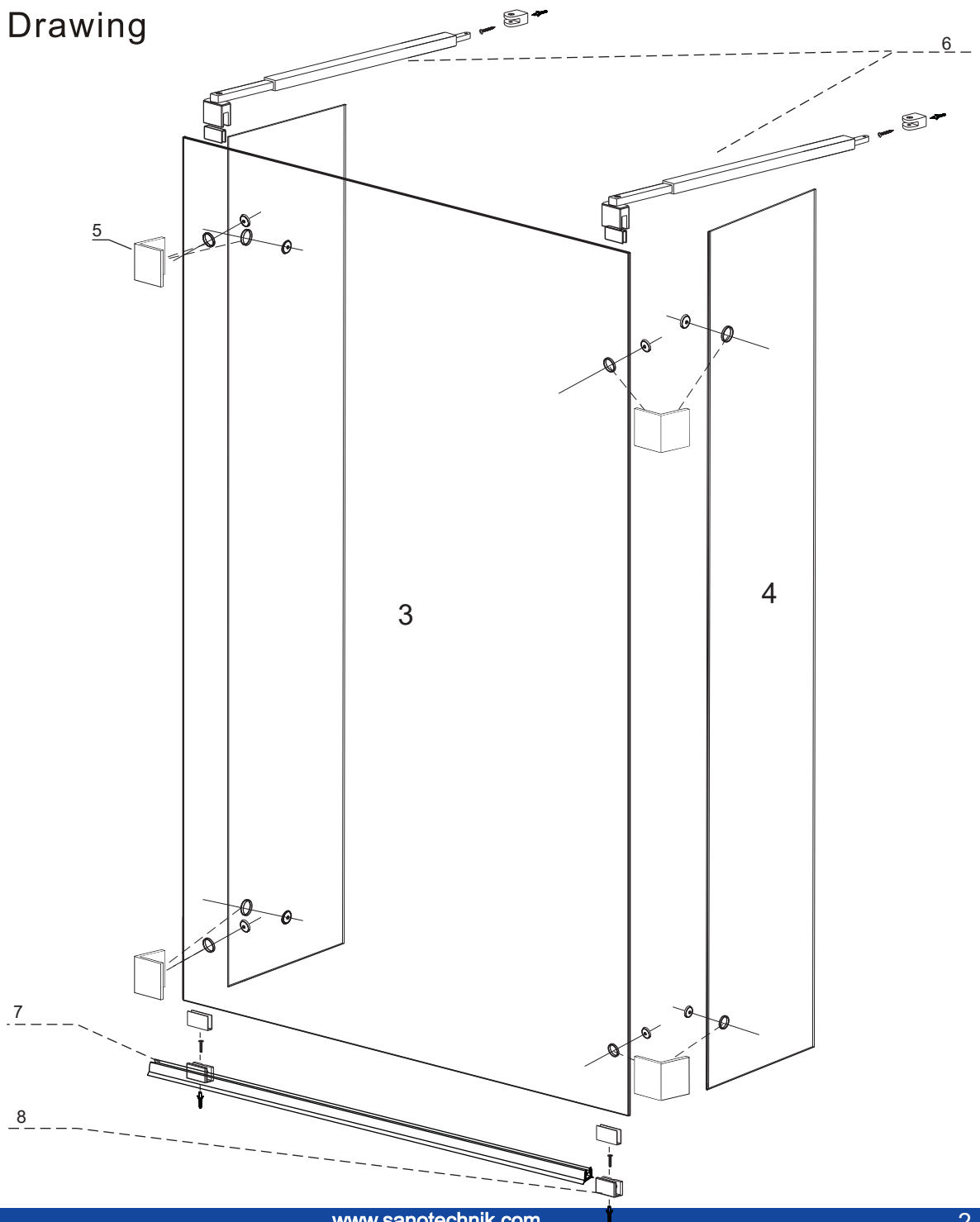
SANOTECHNIK®
 INTERNATIONAL

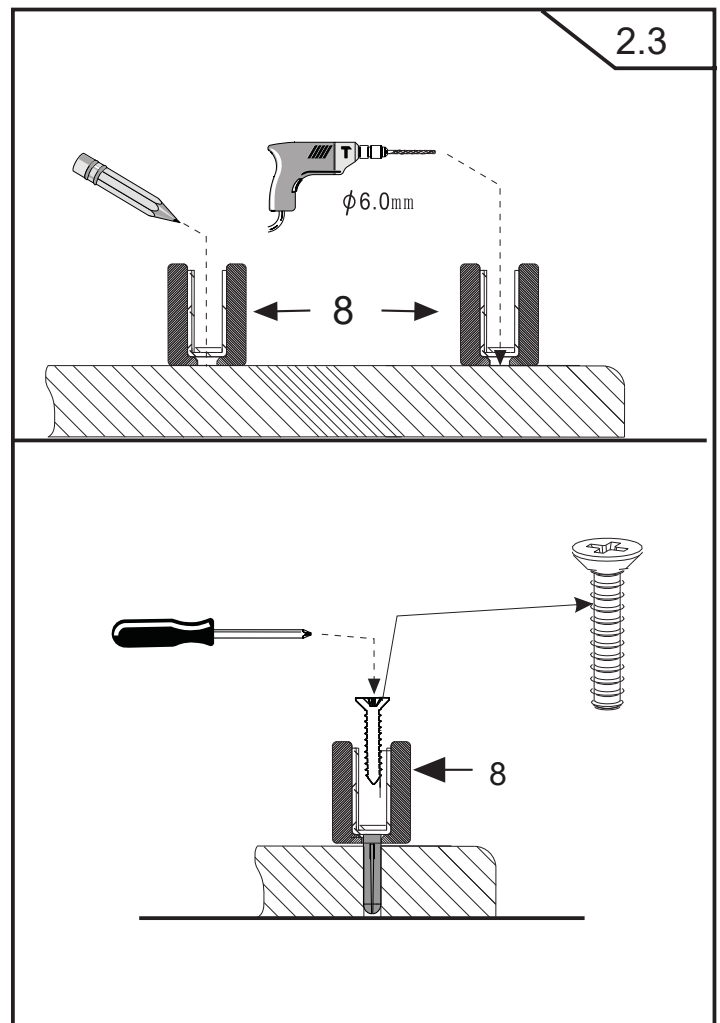
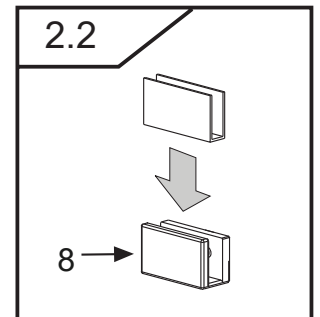
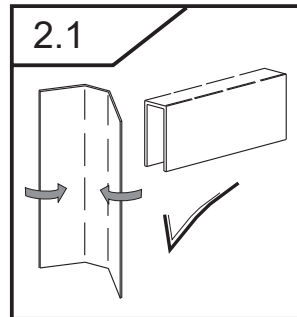
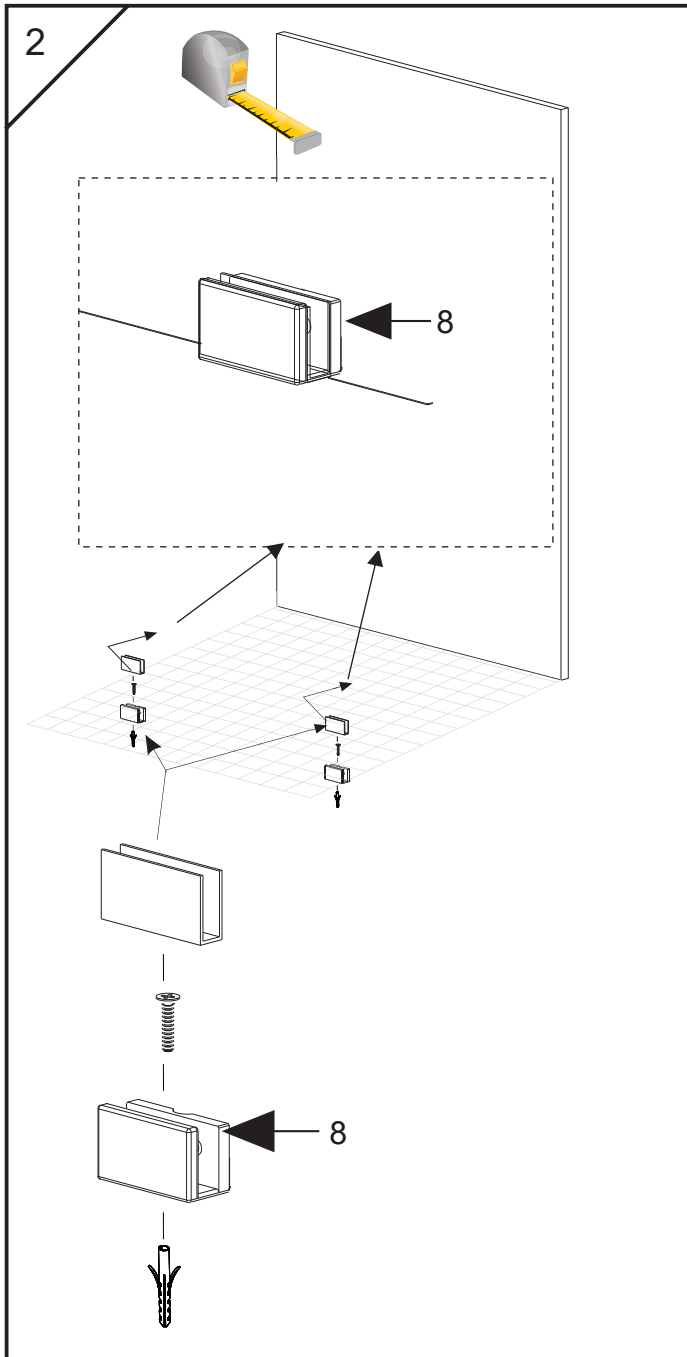
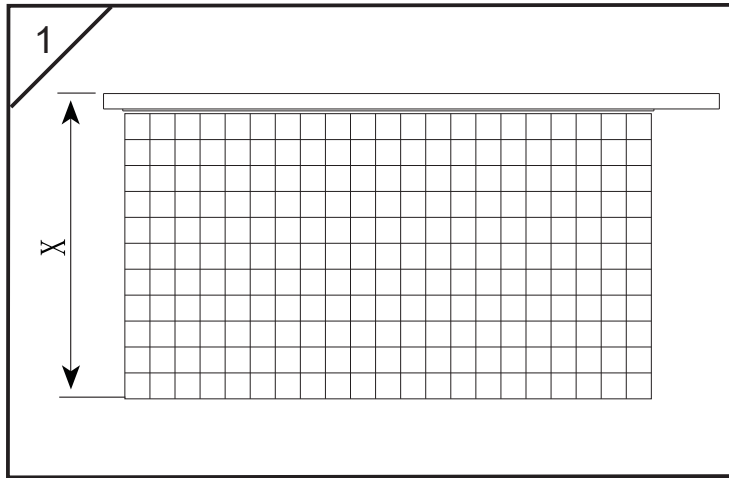
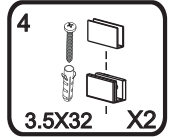
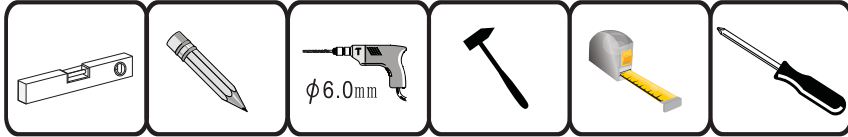


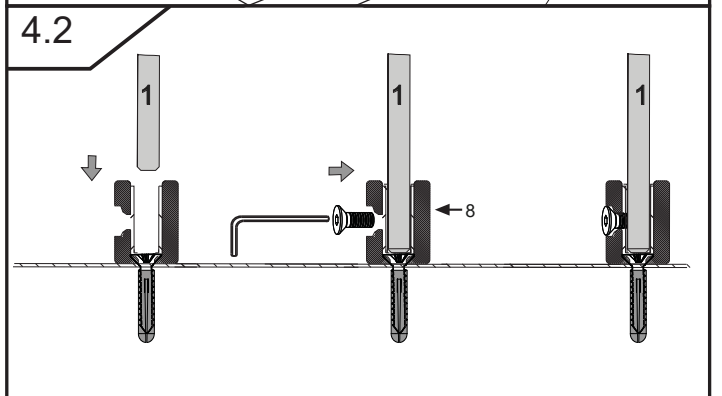
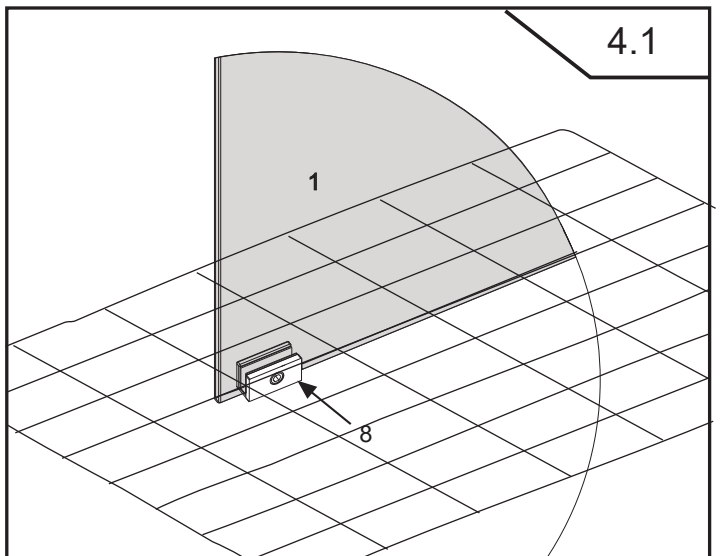
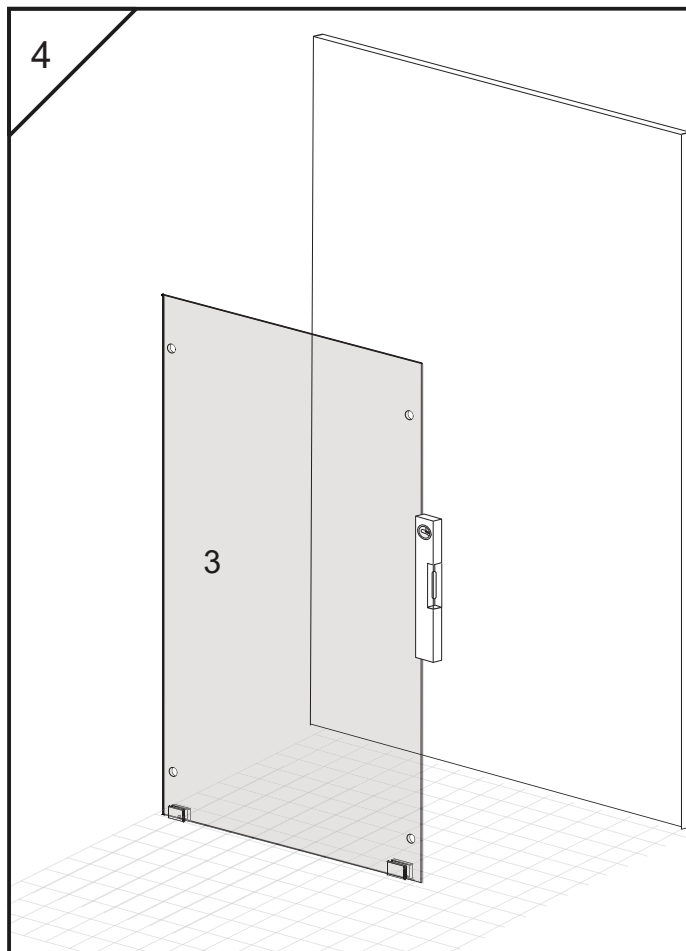
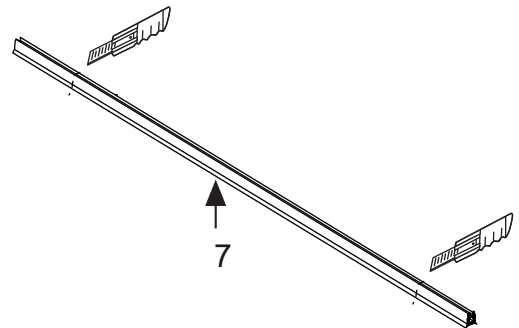
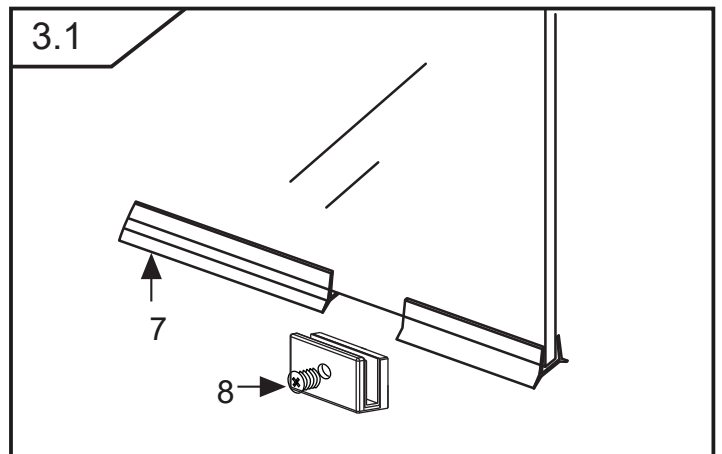
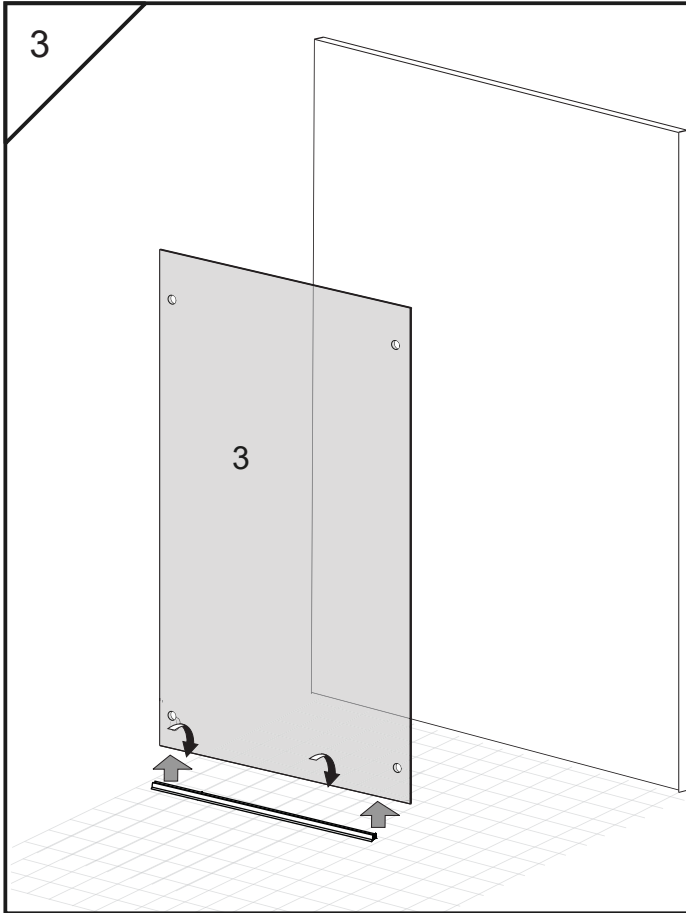
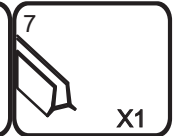
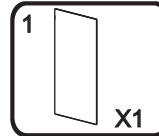
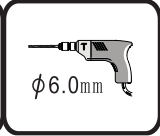
◆ Box Contents

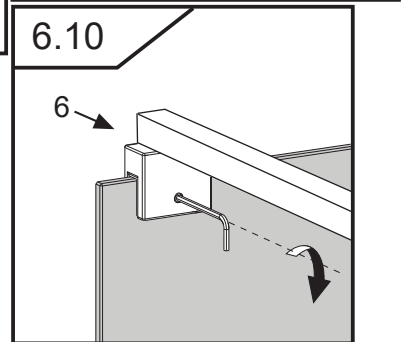
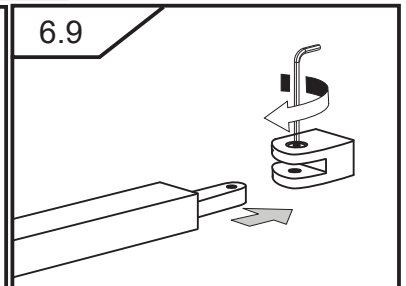
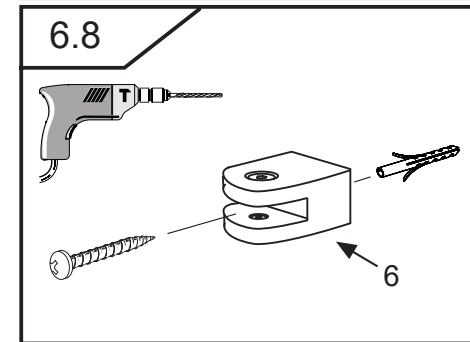
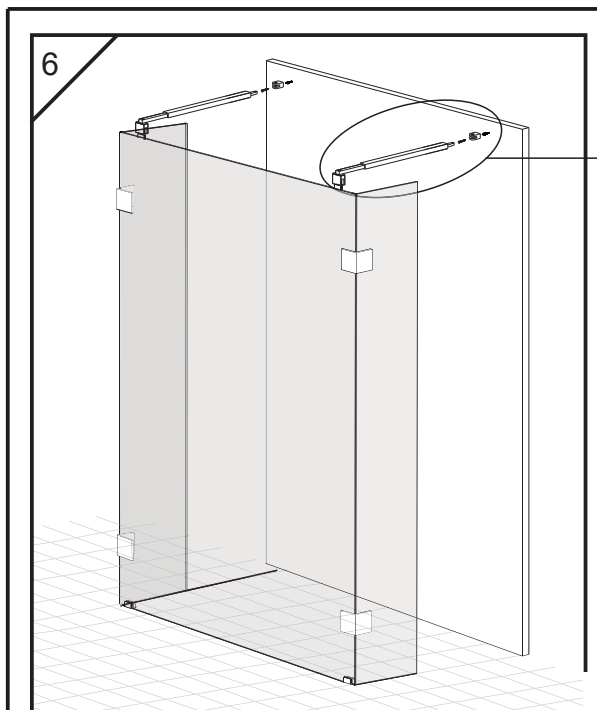
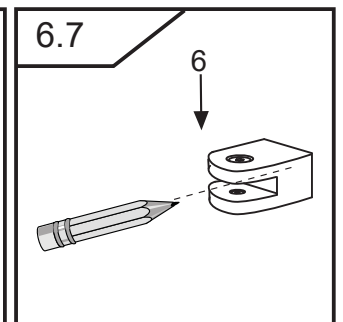
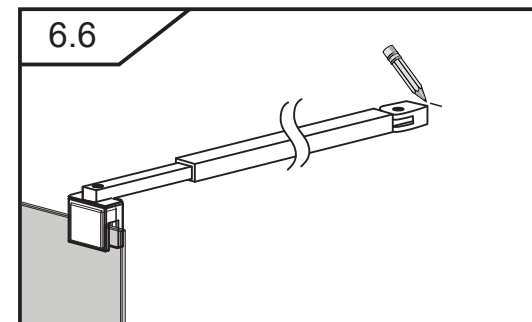
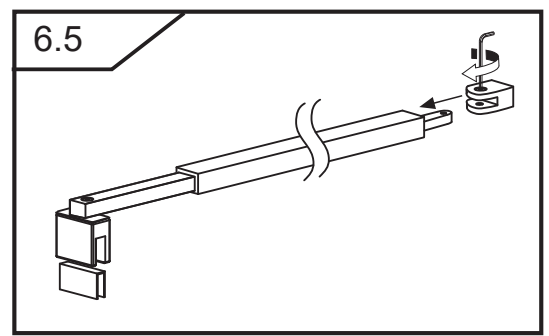
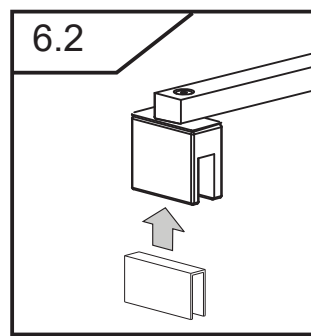
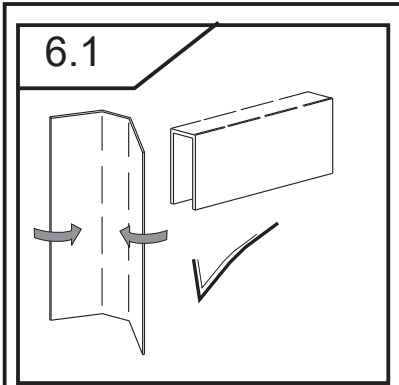
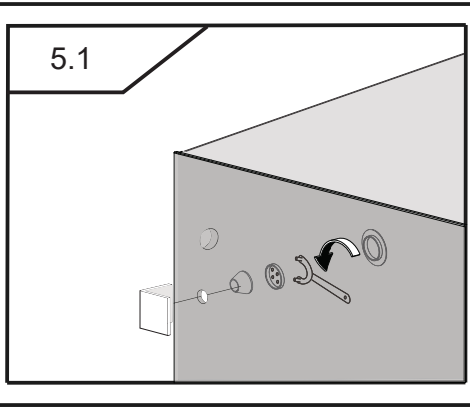
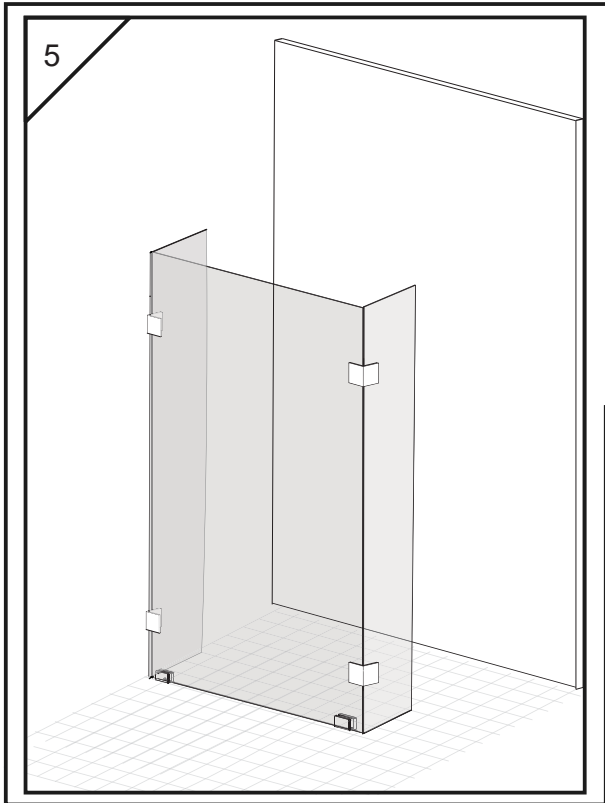
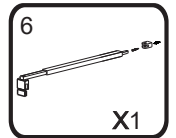
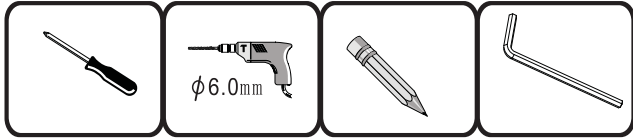


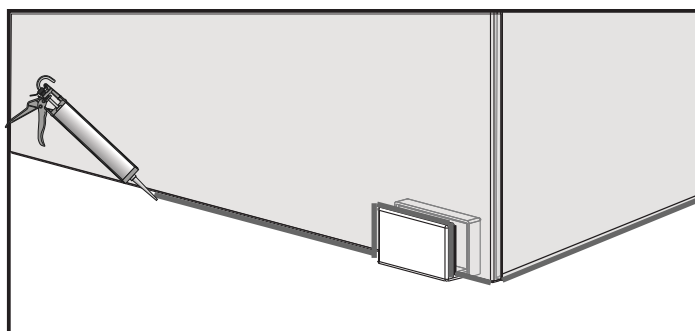
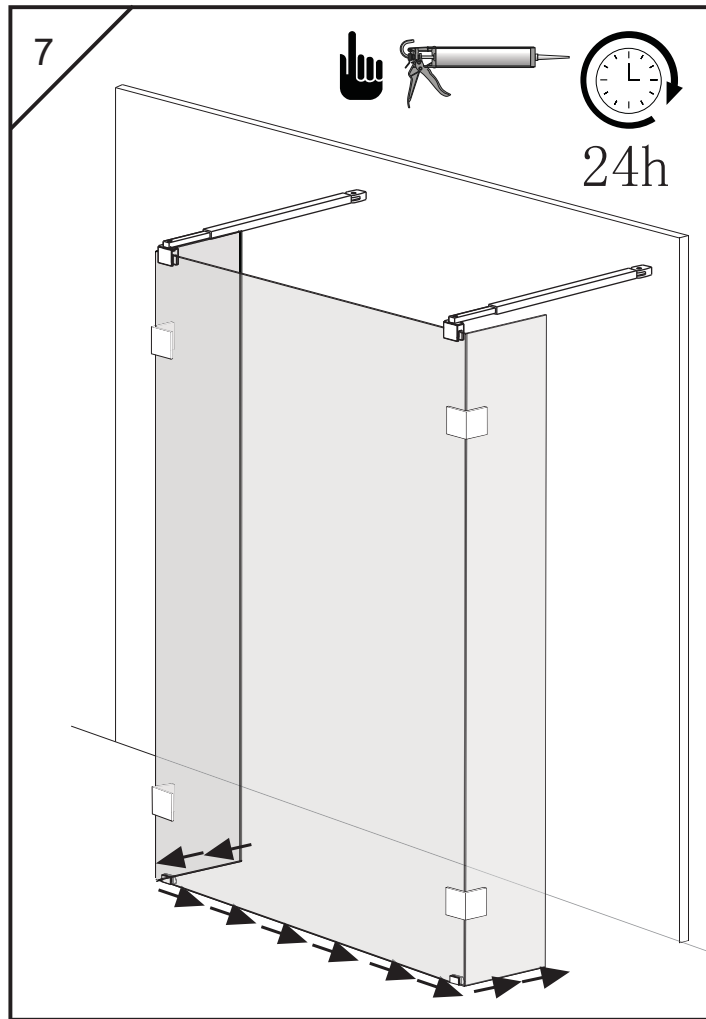
◆ Assembly Drawing



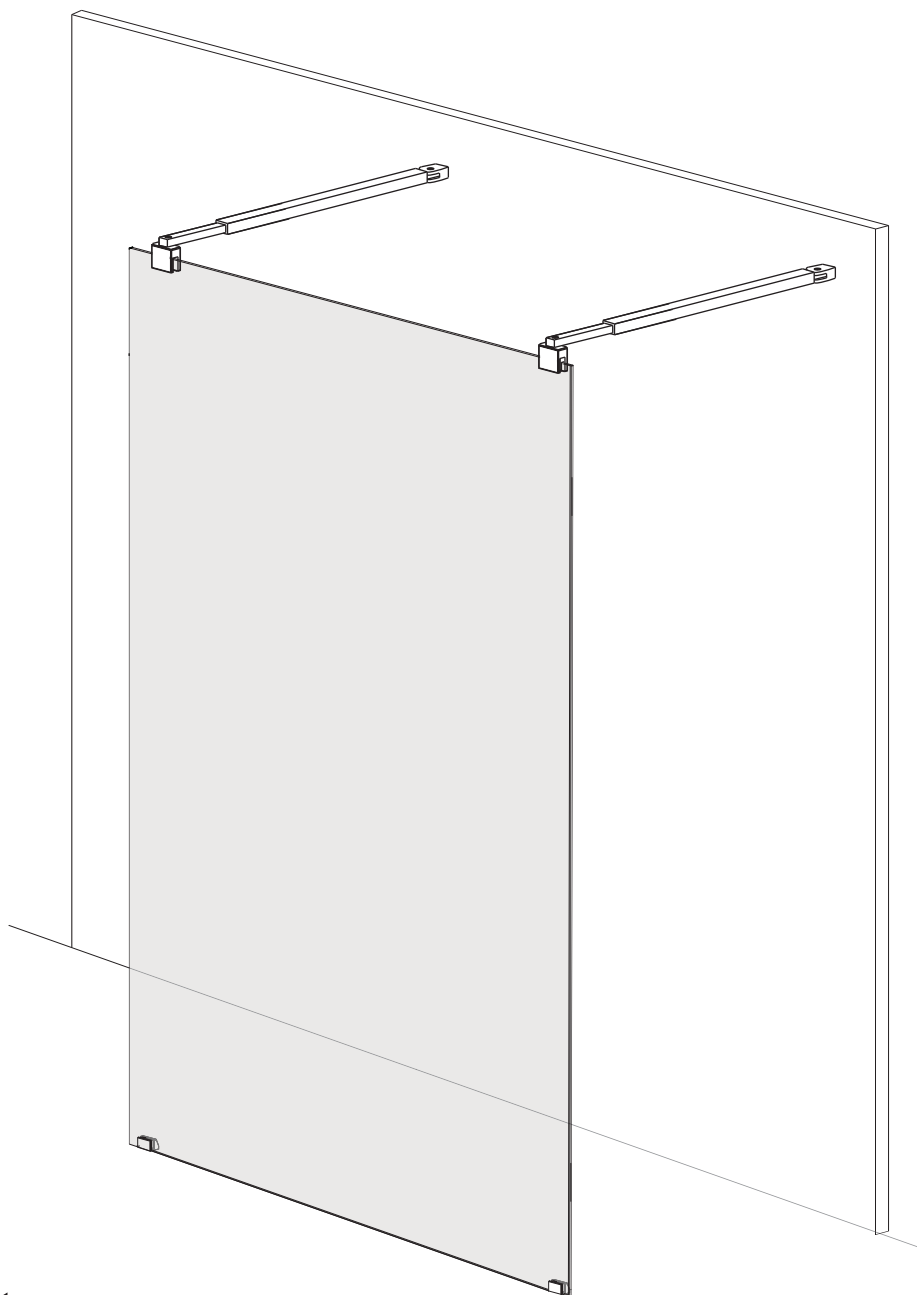








WE RECOMEND THE REMOVAL
OF THE PERIMETER GLASS
PROTECTION AFTER THE
ASSEMBLY IS COMPLETE
OR SAFE TO HANDLE.



Symbol foto
201801



SANOTECHNIK
Handelsgesellschaft m.b.H.
Industriestraße 5
A-2752 Wöllersdorf
Tel.: +43 2622 / 421 93 0
Fax: +43 2622 / 421 93 6
office@sanotechnik.at
www.sanotechnik.com

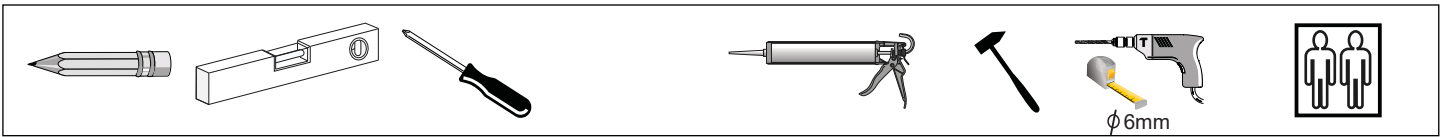

SANOTECHNIK Hungária Kft.
MAGYARORSZÁG
Nagytétényi út 112
H-1222 BUDAPEST
Tel.: (+36 1) 424 06 70
Fax: (+36 1) 424 06 79
info@sanotechnik.hu
www.sanotechnik.com


SC Sanotechnik COM Rumänien S.R.L.
ROMANIA
Tancabesti, DN 1, KM 26,5
Com. Snagov, jud. Ilfov
Tel.: +40 21 350 13 43
Fax: +40 21 350 13 44
office@sanotechnik.ro
www.sanotechnik.com

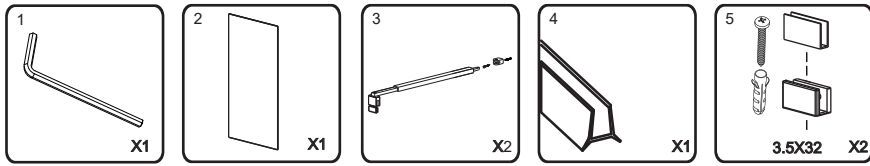

SANOTECHNIK d.o.o.
SLOVENIJA
Stritarjevca ulica 24
SI-2000 MARIBOR
Tel. +3862/4213350
Fax +3862/4213358
info@sanotechnik.si
www.sanotechnik.com


Sanotechnik Bulgaria Ltd.
BULGARIA
3, Georgi Benev St.
BG-4003 Plovdiv
Tel: +359 32 961101
Fax: +359 32 961102
office@sanotechnik.bg
www.sanotechnik.com

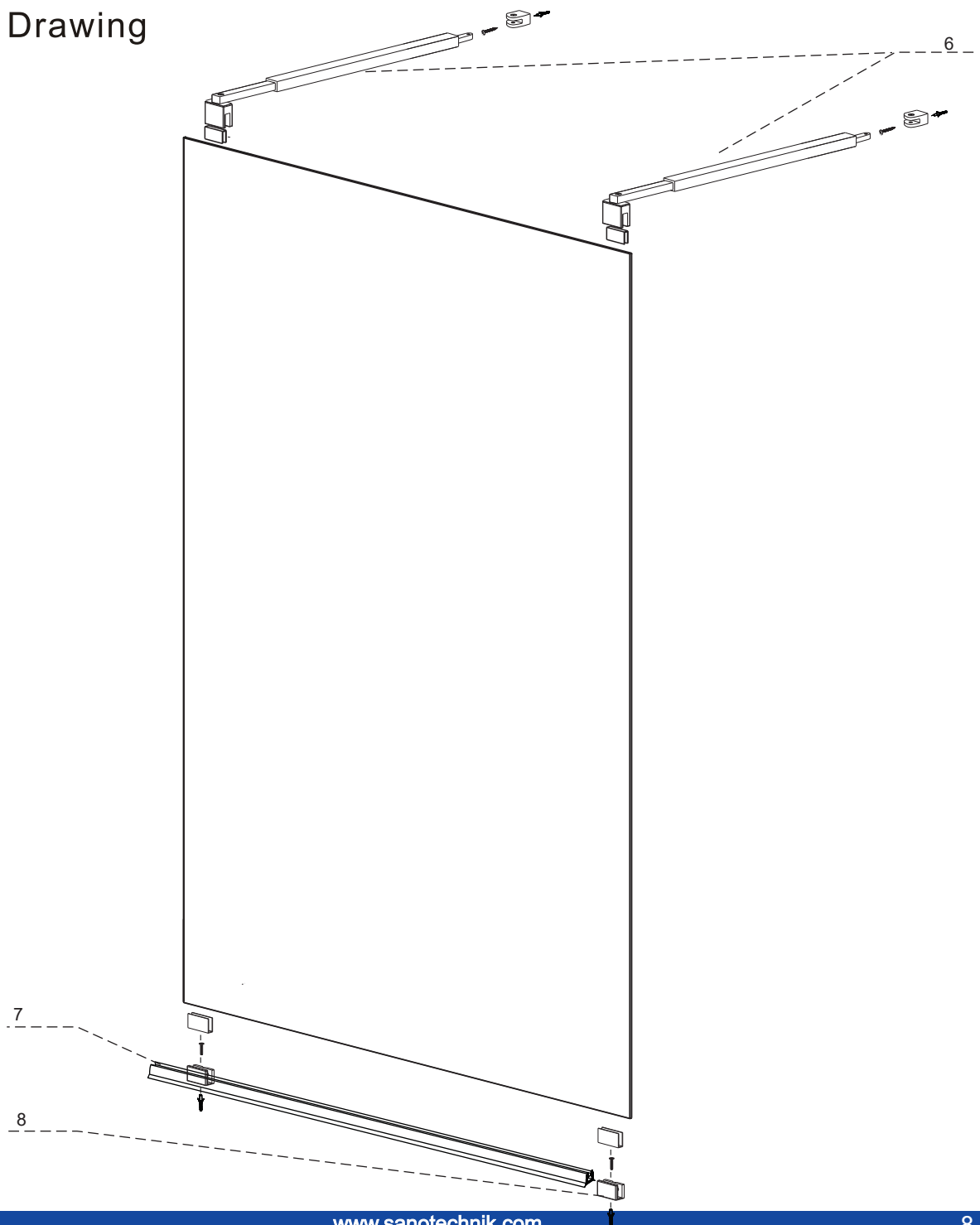
SANOTECHNIK  **INTERNATIONAL**

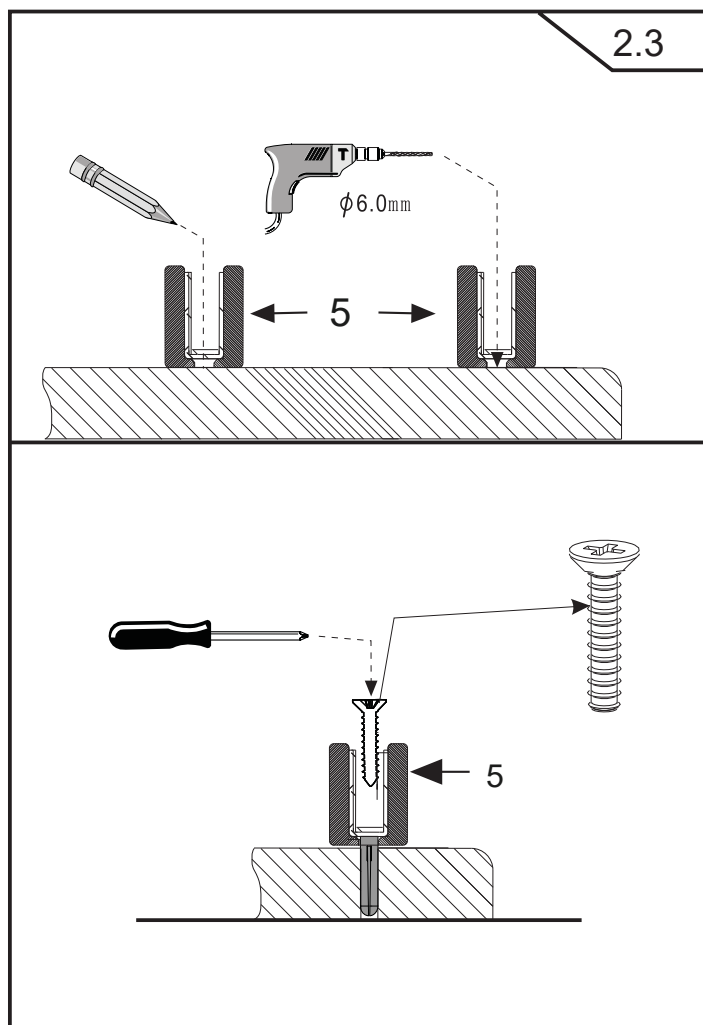
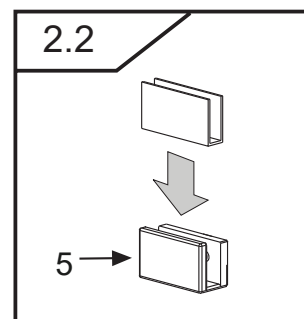
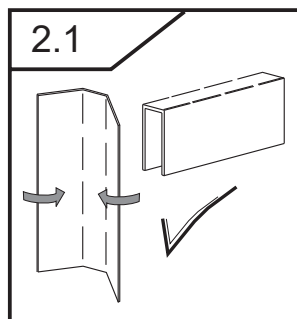
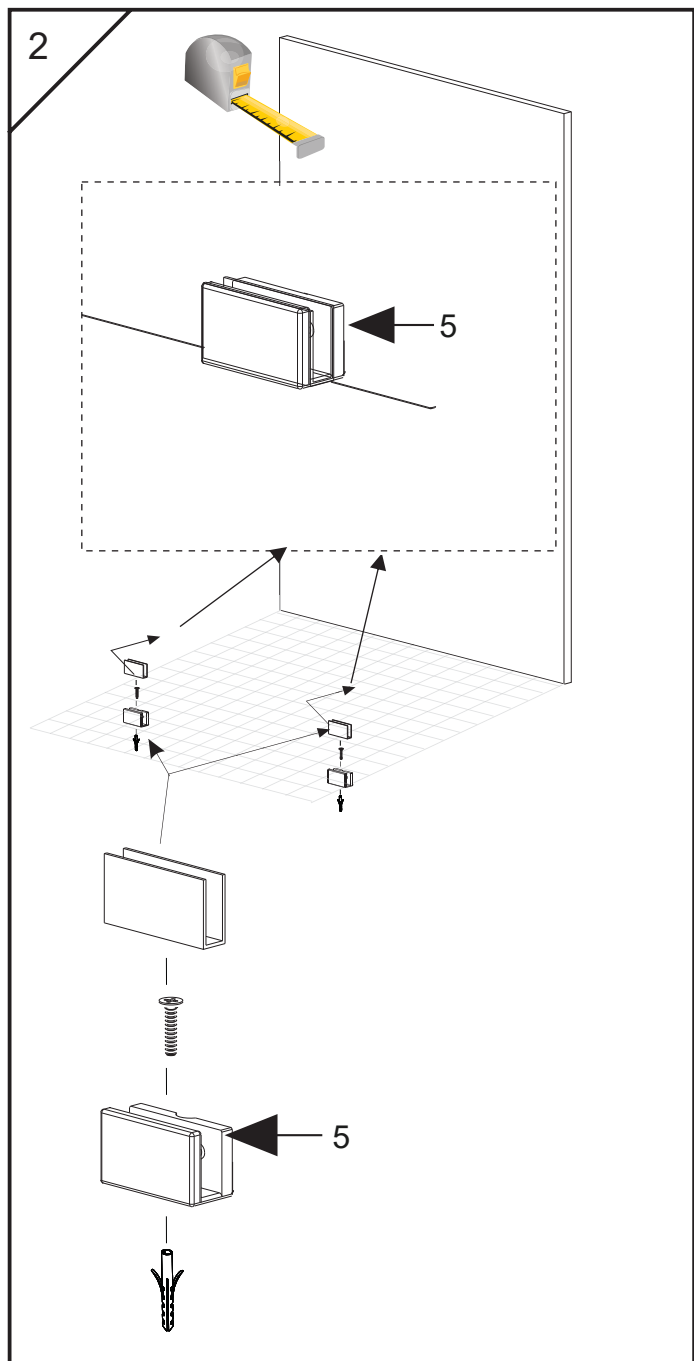
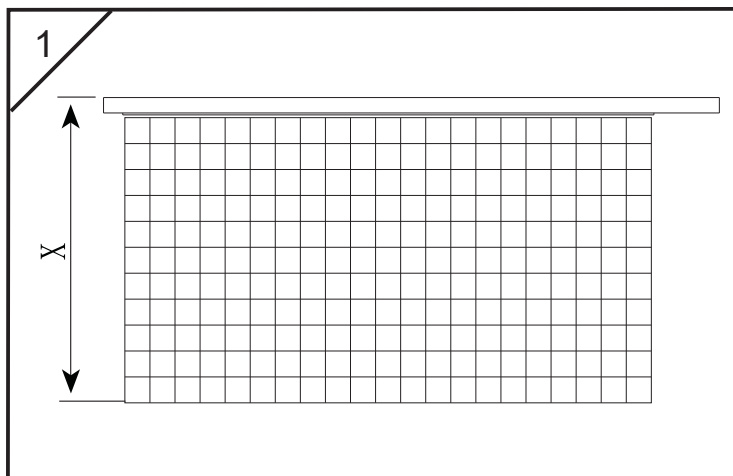
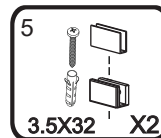
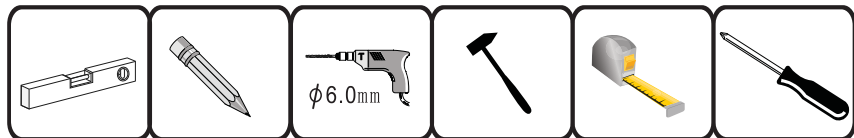


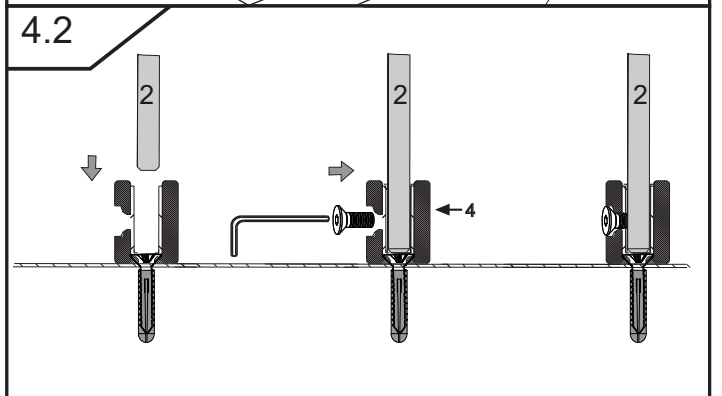
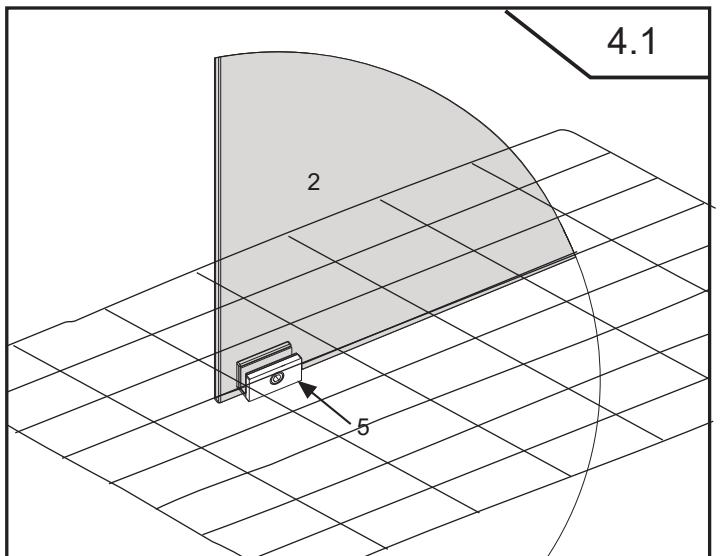
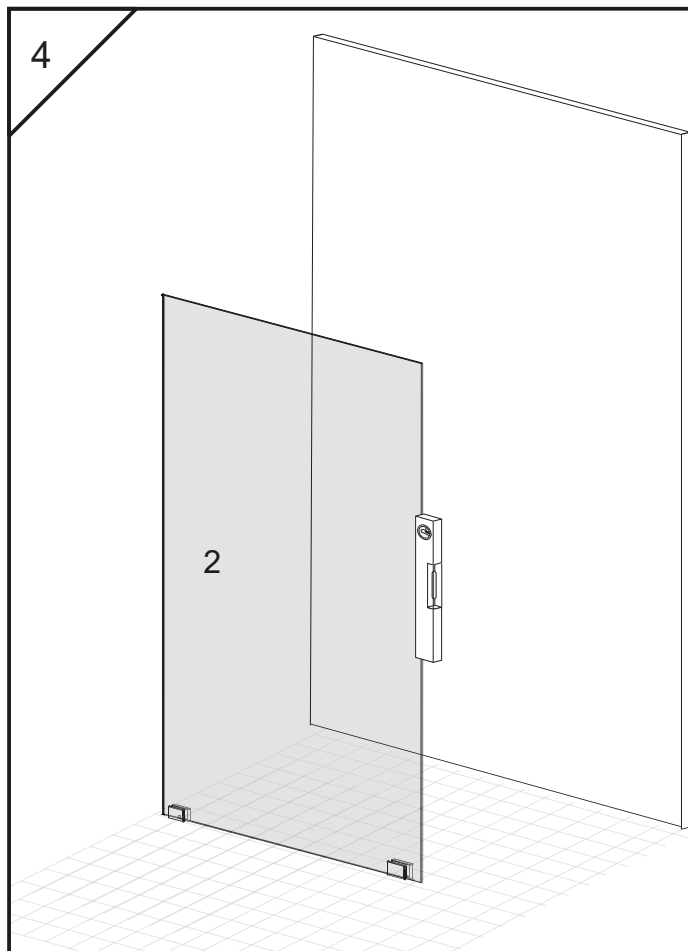
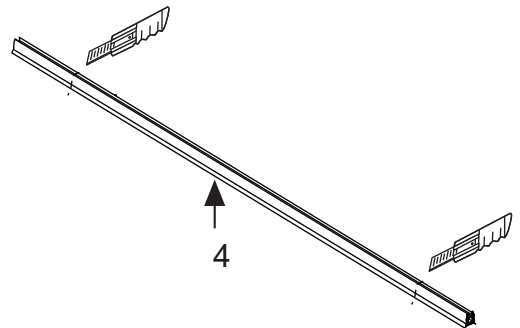
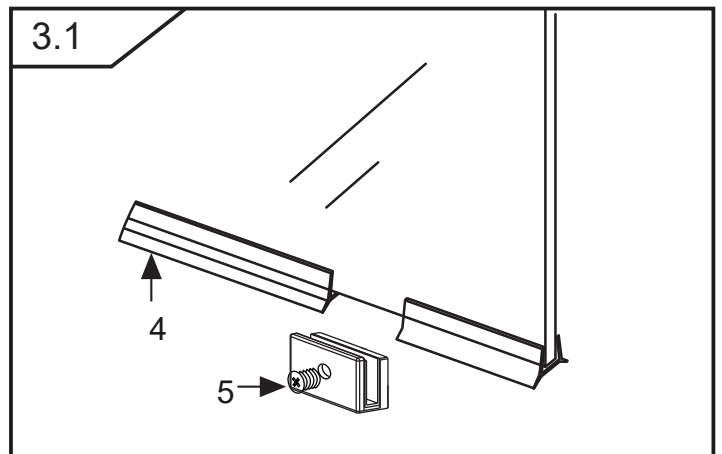
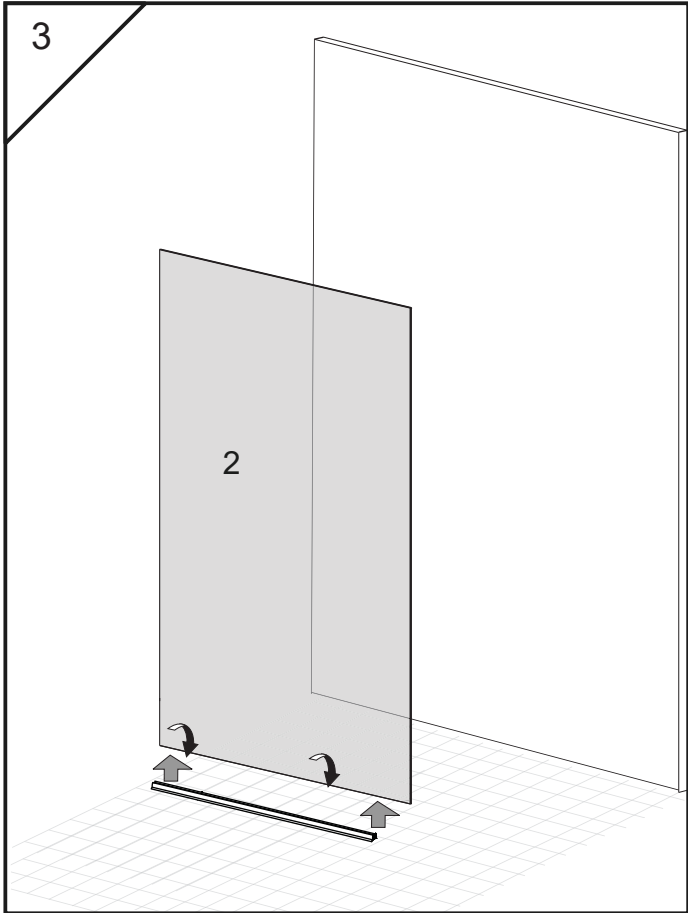
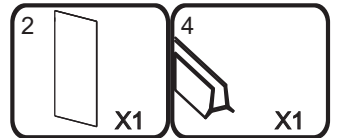
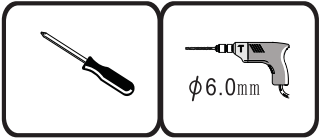
◆ Box Contents

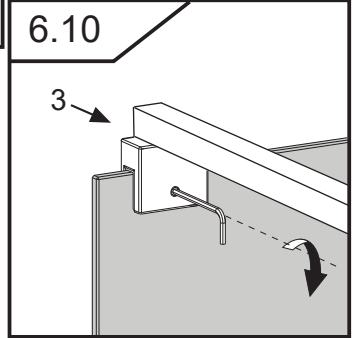
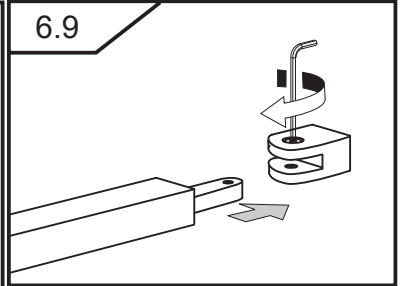
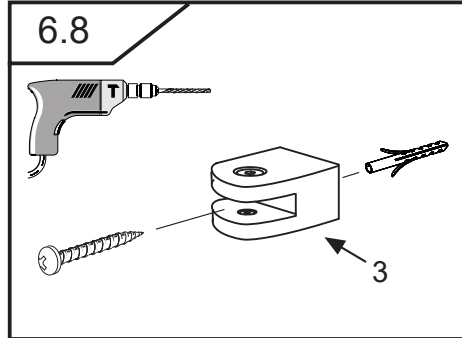
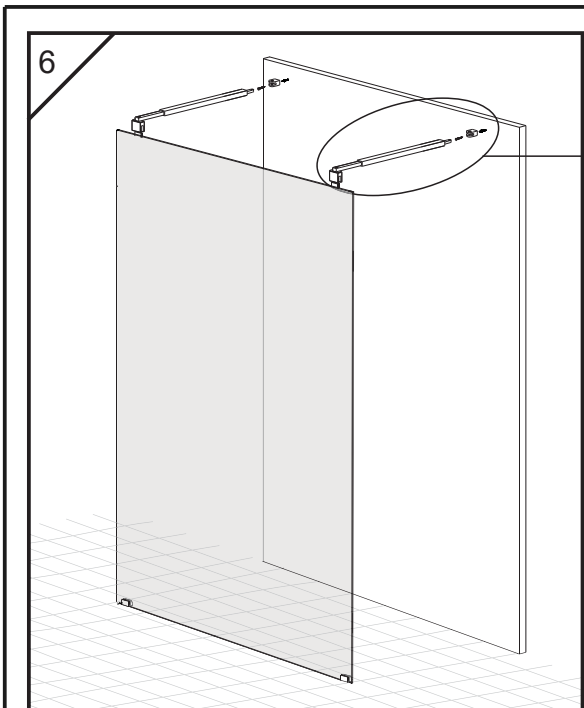
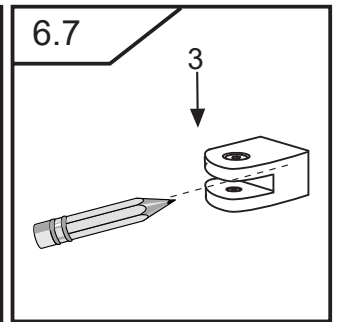
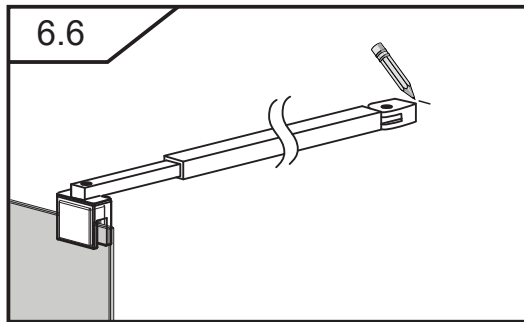
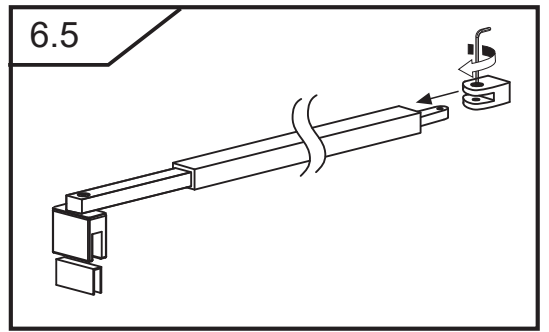
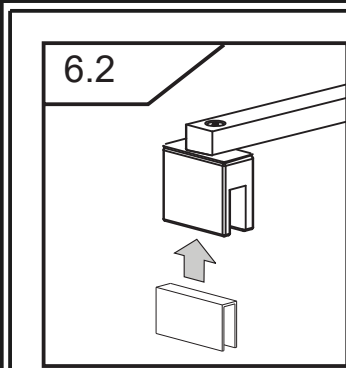
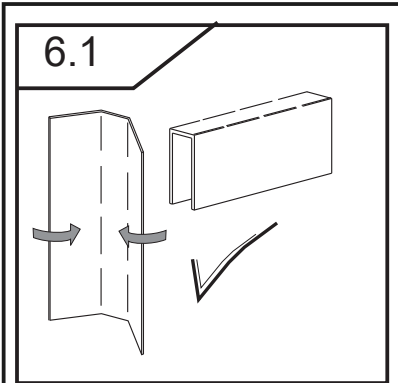
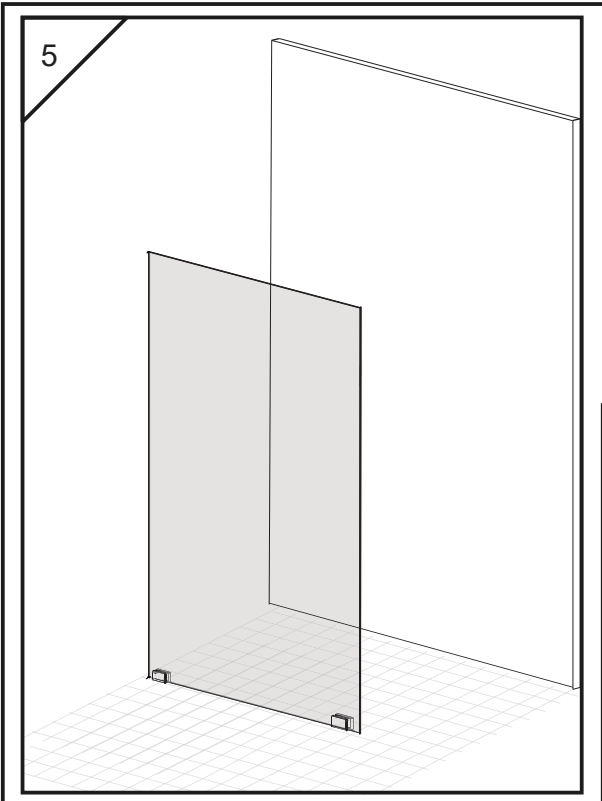
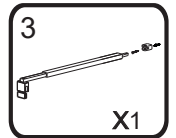
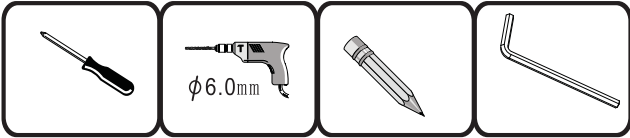


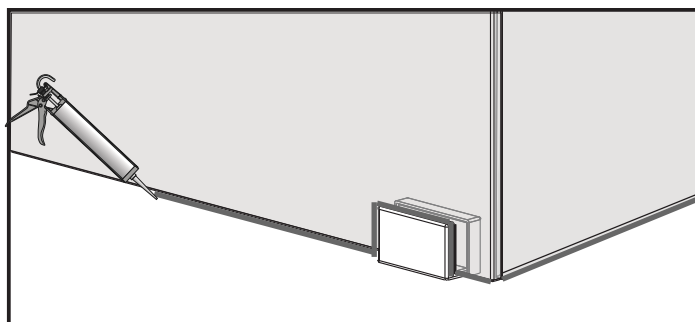
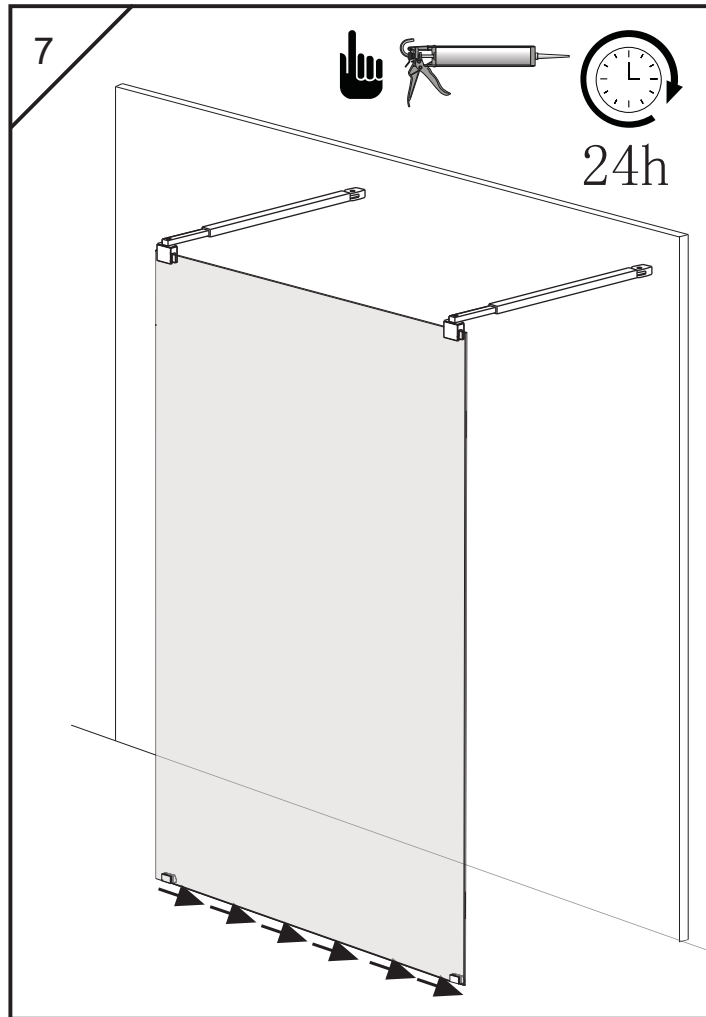
◆ Assembly Drawing











WE RECOMEND THE REMOVAL
OF THE PERIMETER GLASS
PROTECTION AFTER THE
ASSEMBLY IS COMPLETE
OR SAFE TO HANDLE.