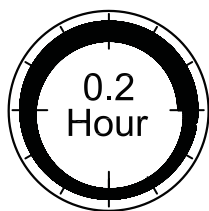
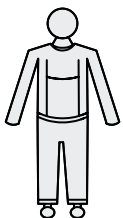
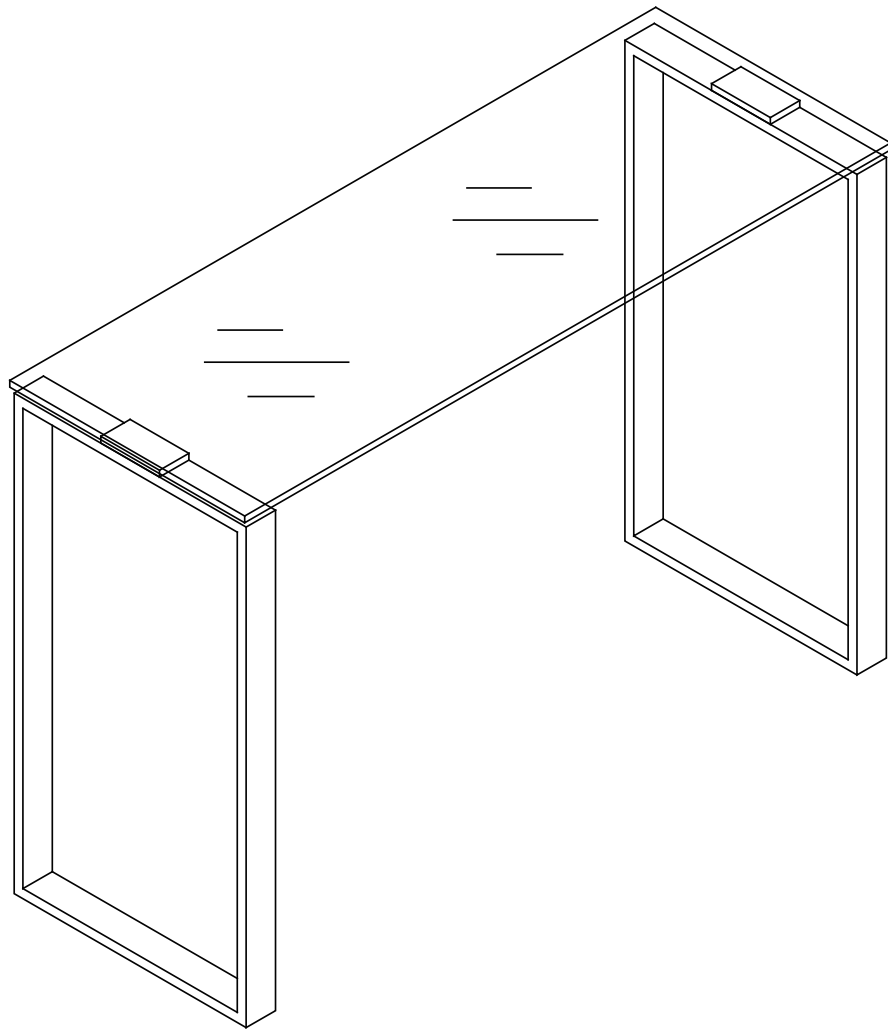
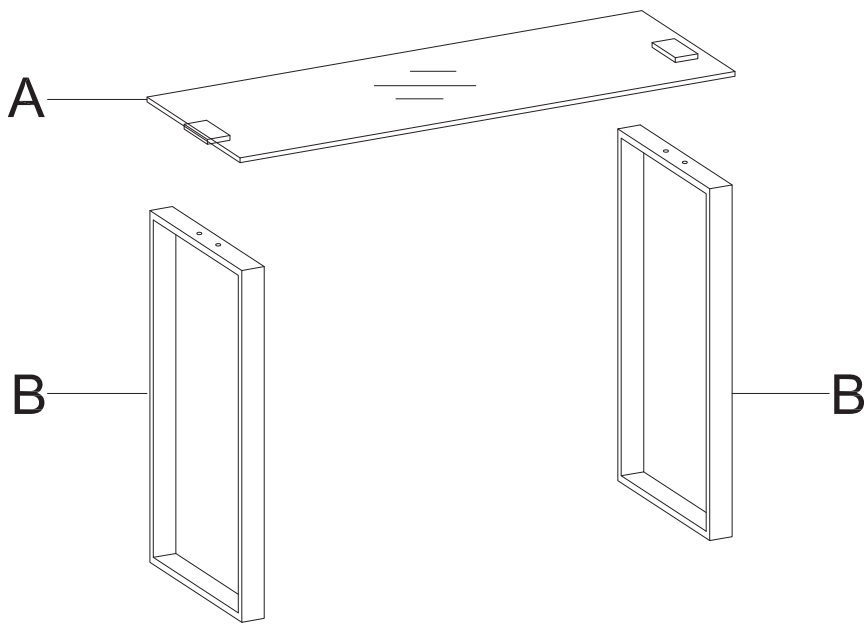


---

# Katrine





5/16" x 22mm  
C x 4



Ø16 x 2.0mm  
D x 4



4mm  
E x 1



Step 1

