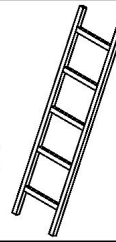
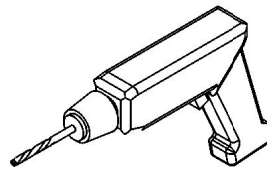
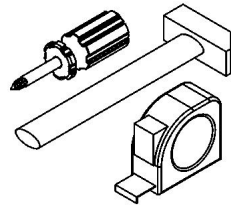
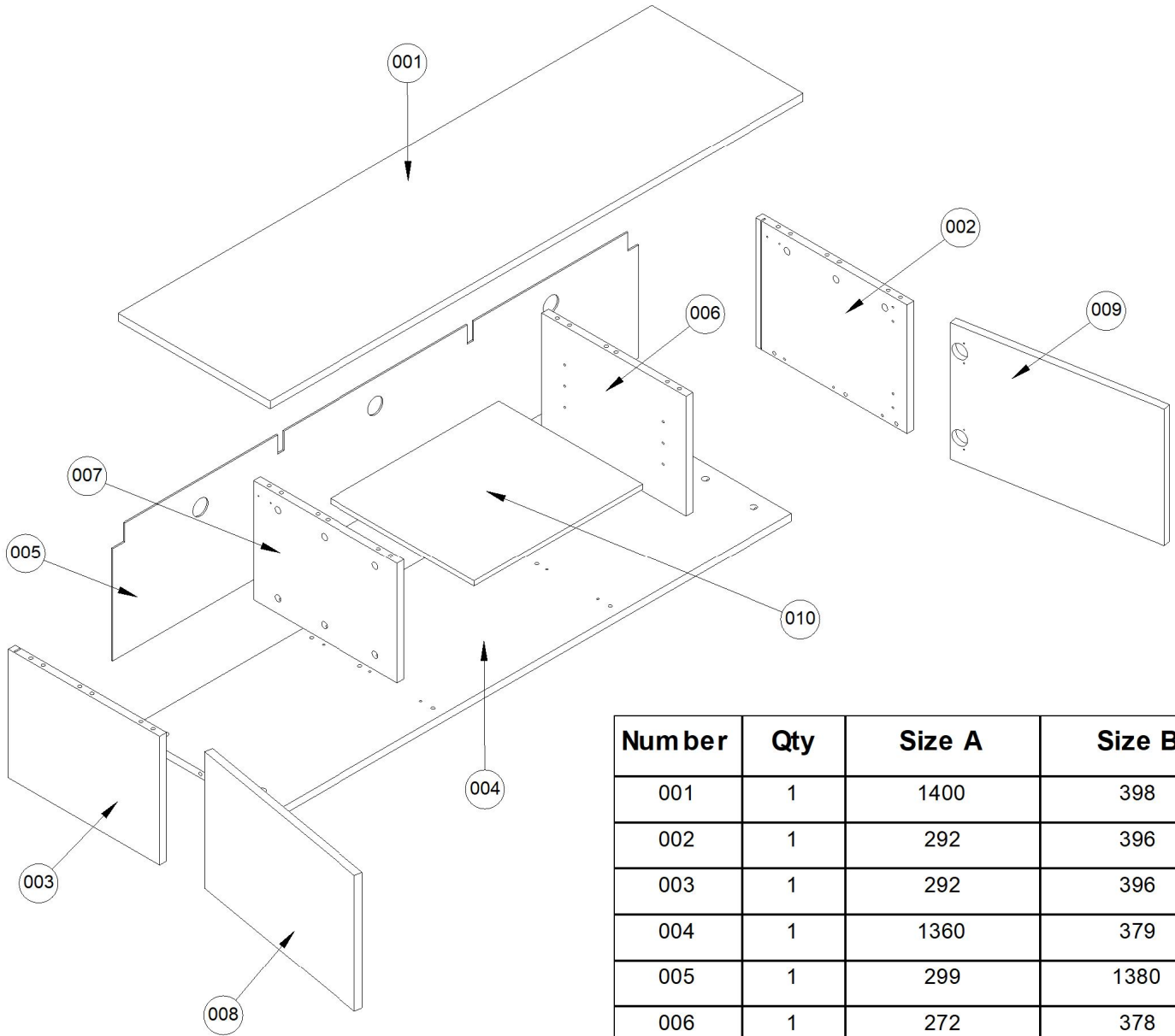


- 90 min.

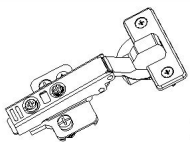


SZOP140



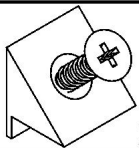
Number	Qty	Size A	Size B
001	1	1400	398
002	1	292	396
003	1	292	396
004	1	1360	379
005	1	299	1380
006	1	272	378
007	1	272	378
008	1	310	485
009	1	310	485
010	1	442	377

ZZ



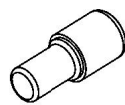
x4

ST1



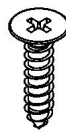
x10

P5



x4

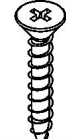
WS1



3,5x16

x23

WS3



4x30

x10

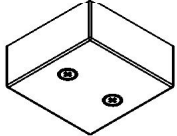
WS4



4x35

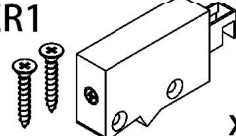
x4

S6



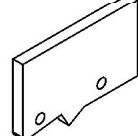
x5

ZR1



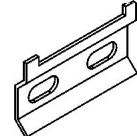
x4

D1



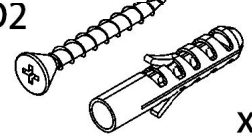
x2

SZ



x4

D2



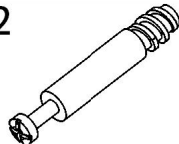
x8

M1



x24

M2



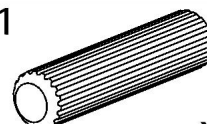
x24

M3



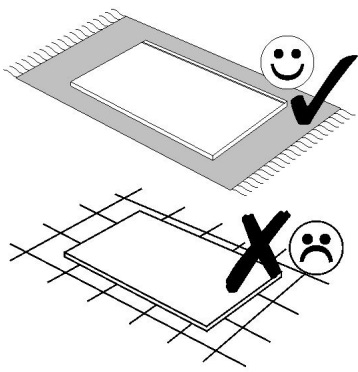
x24

K1

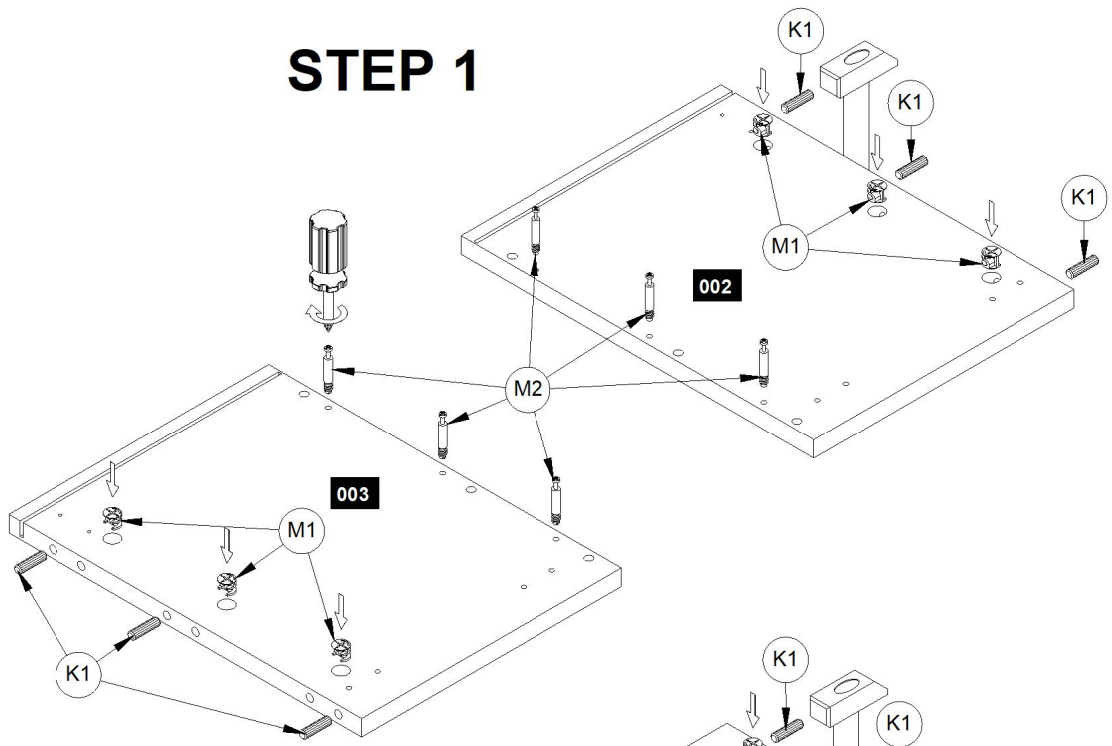


x24

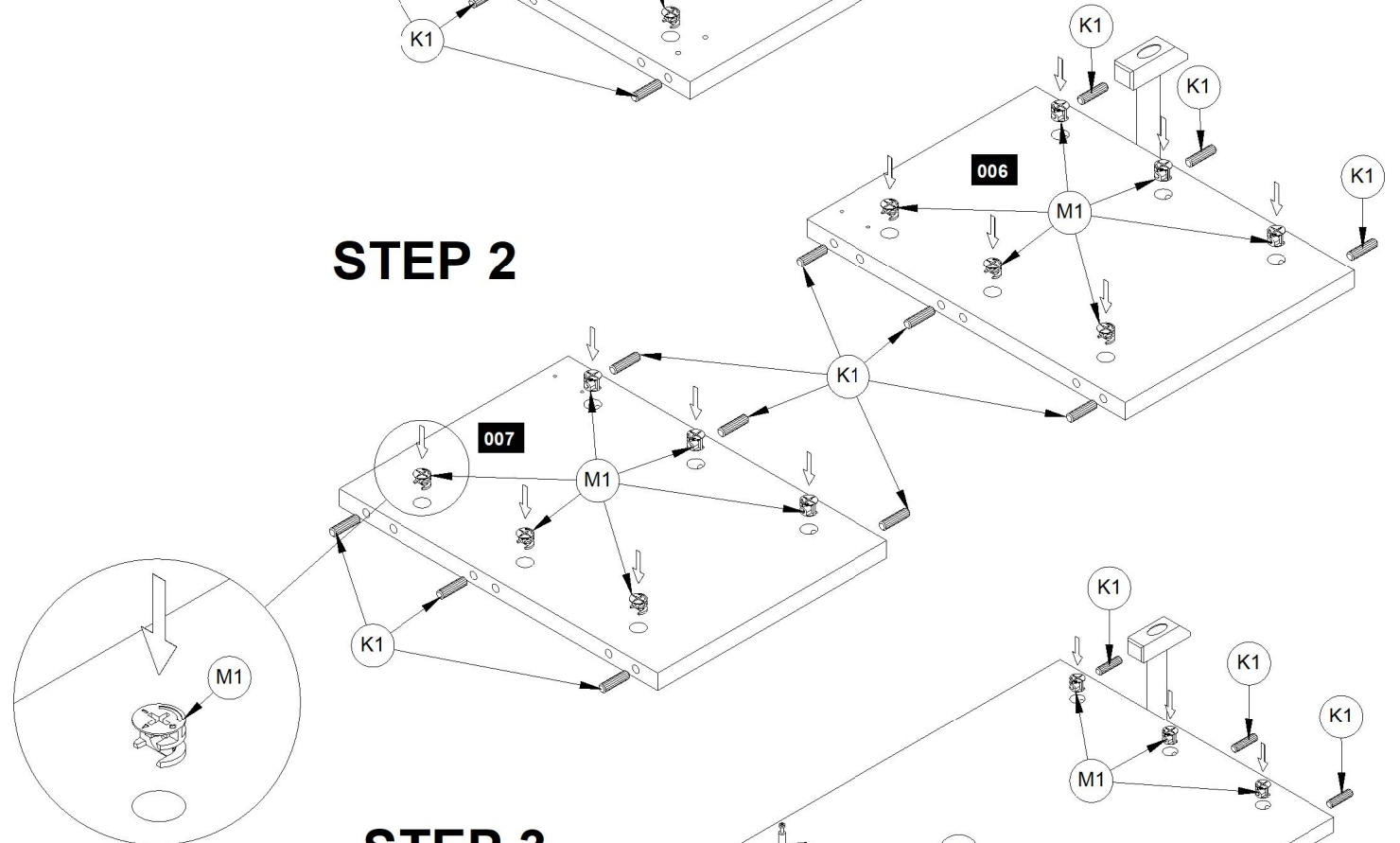
1/10



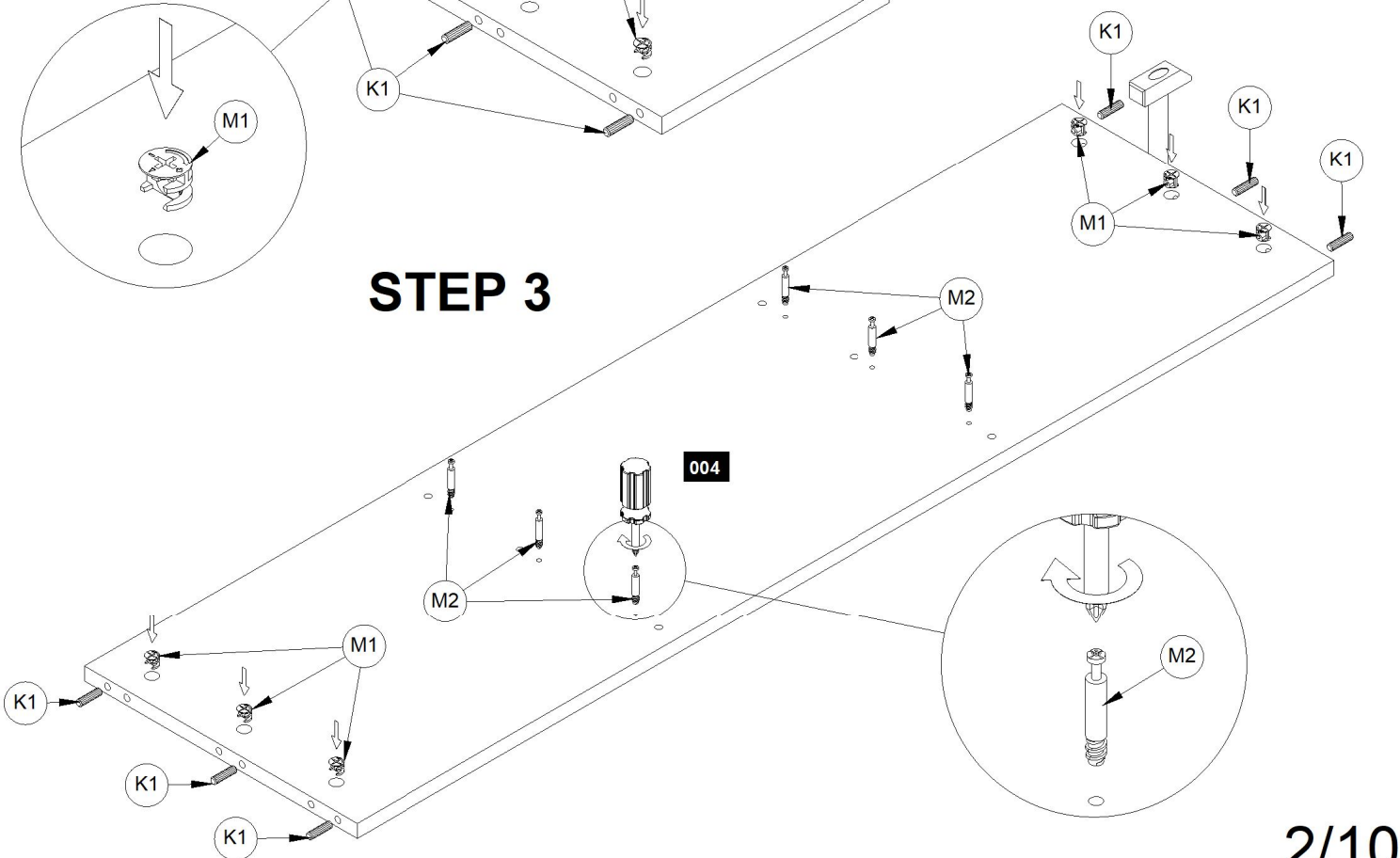
STEP 1



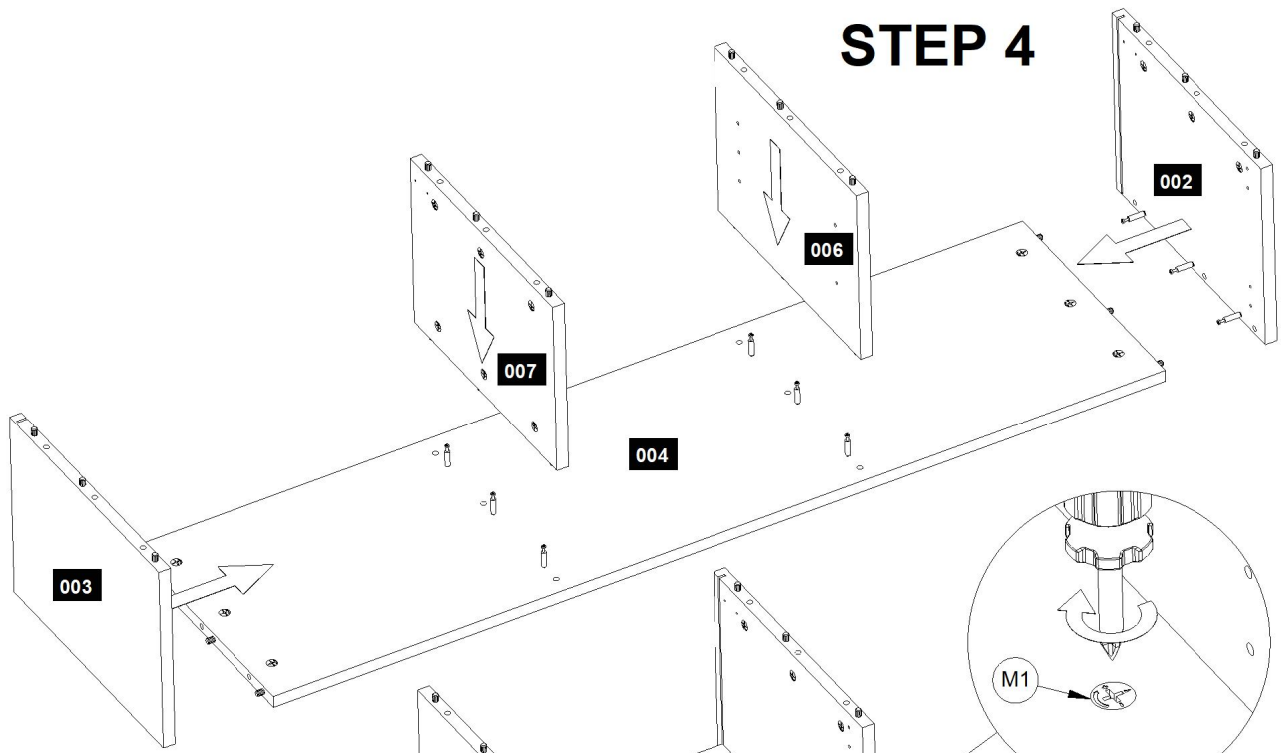
STEP 2



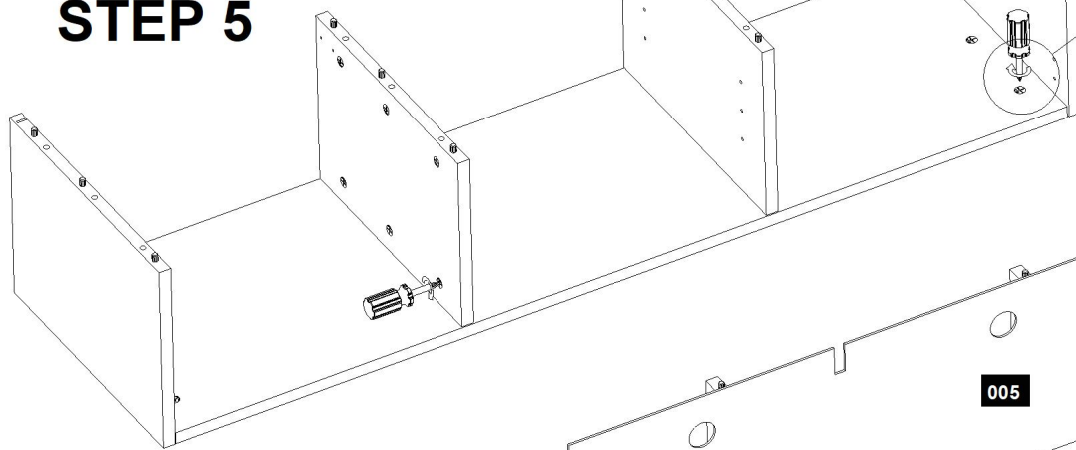
STEP 3



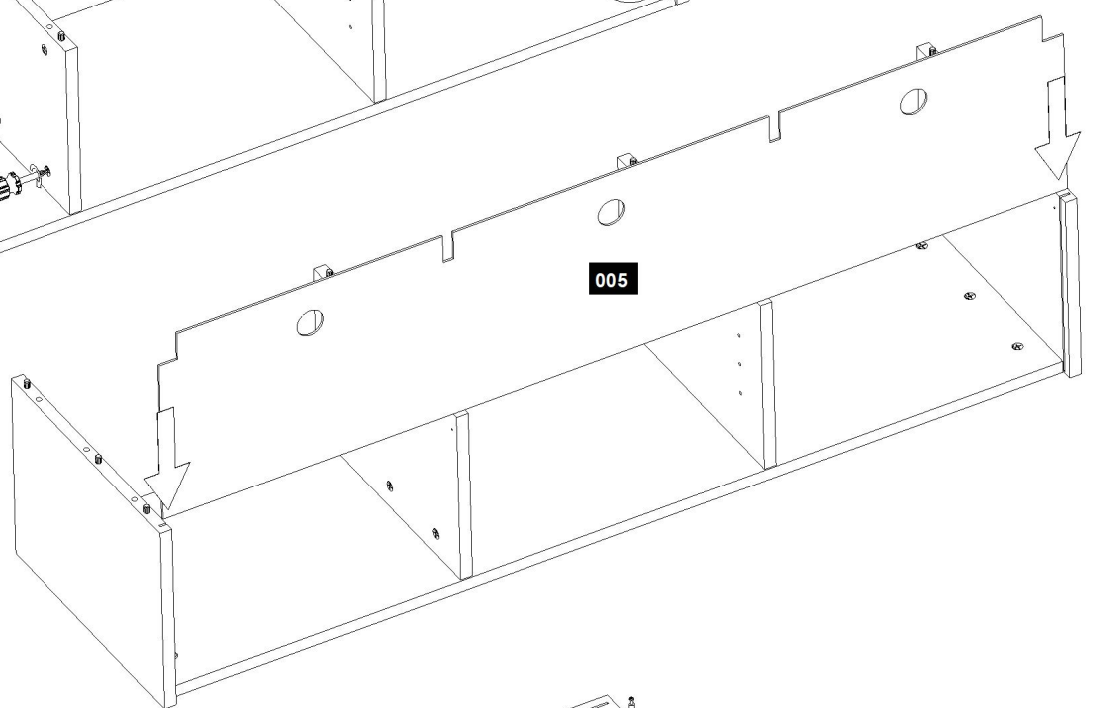
STEP 4



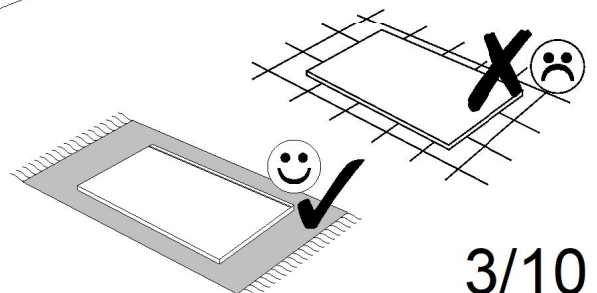
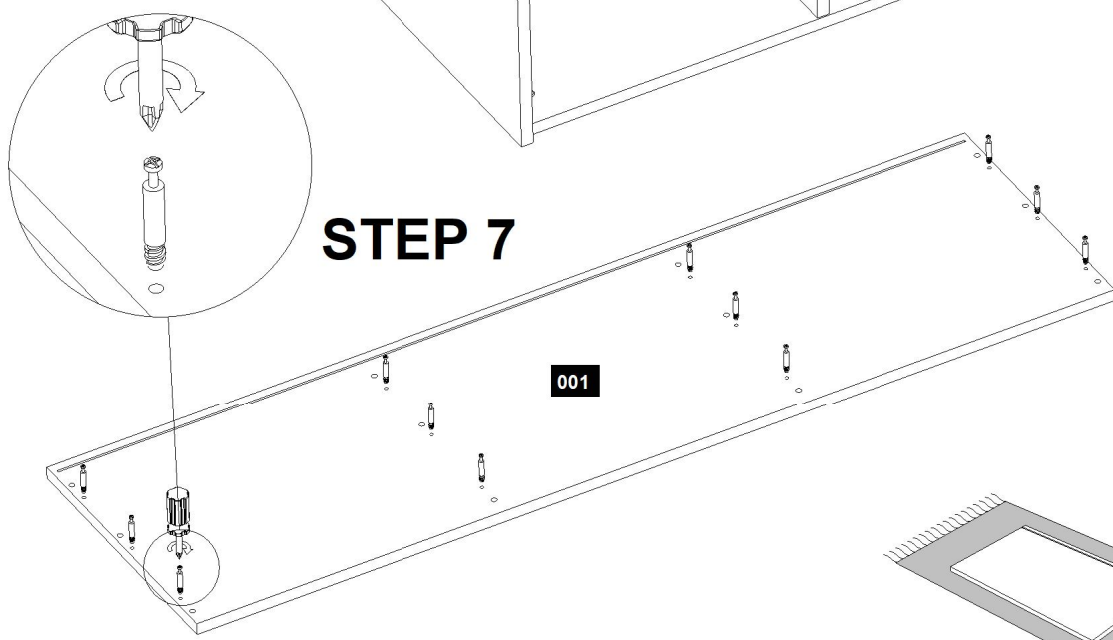
STEP 5



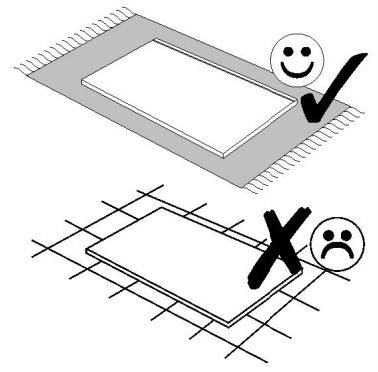
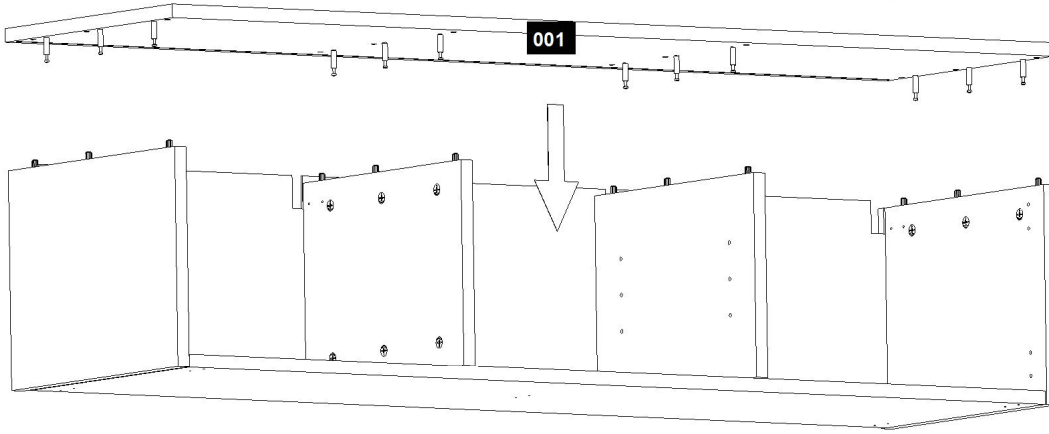
STEP 6



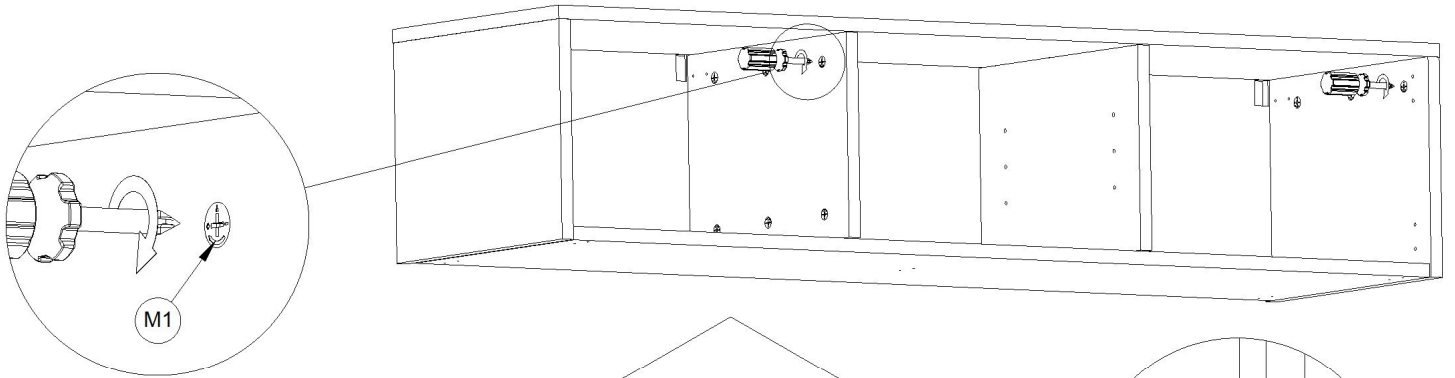
STEP 7



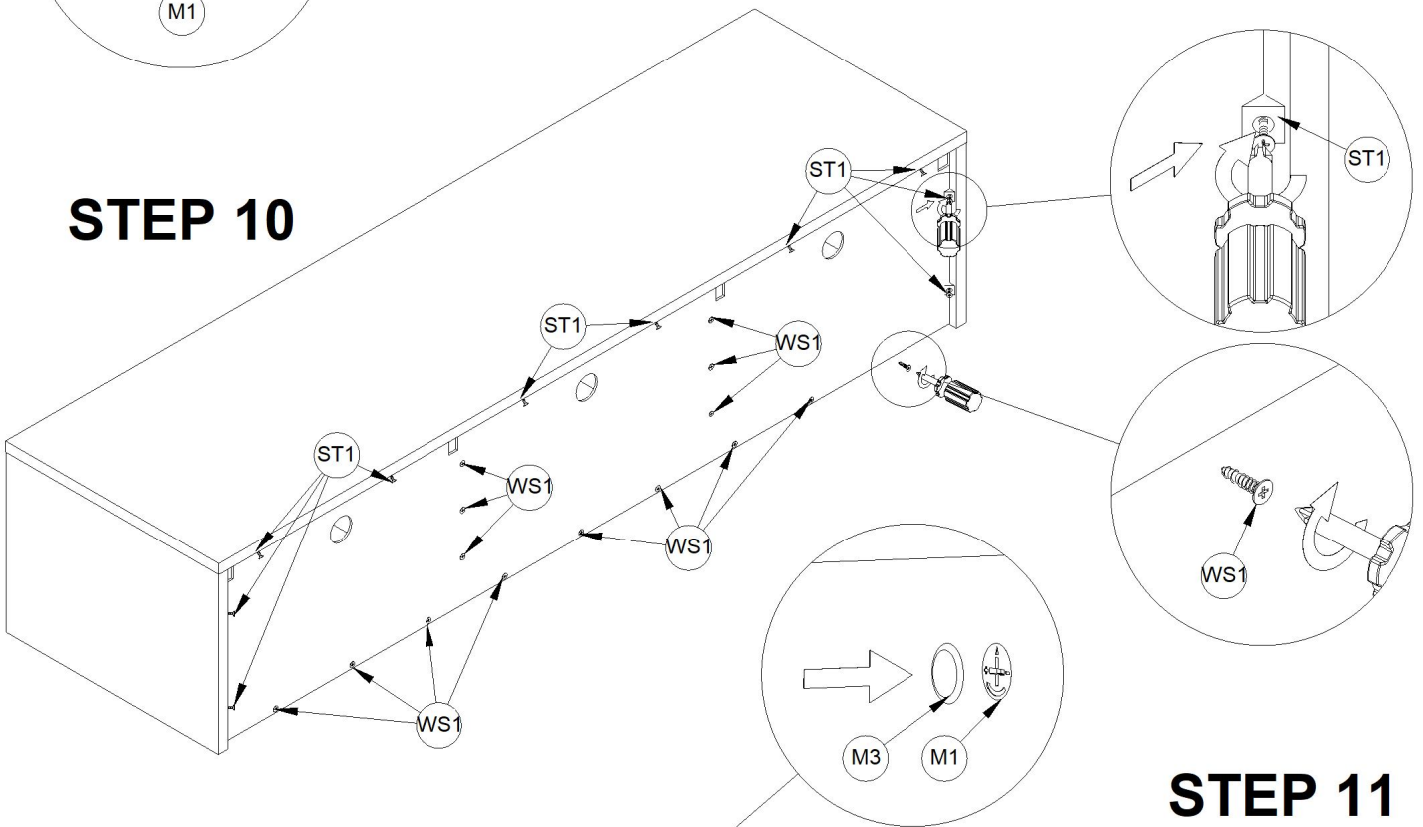
STEP 8



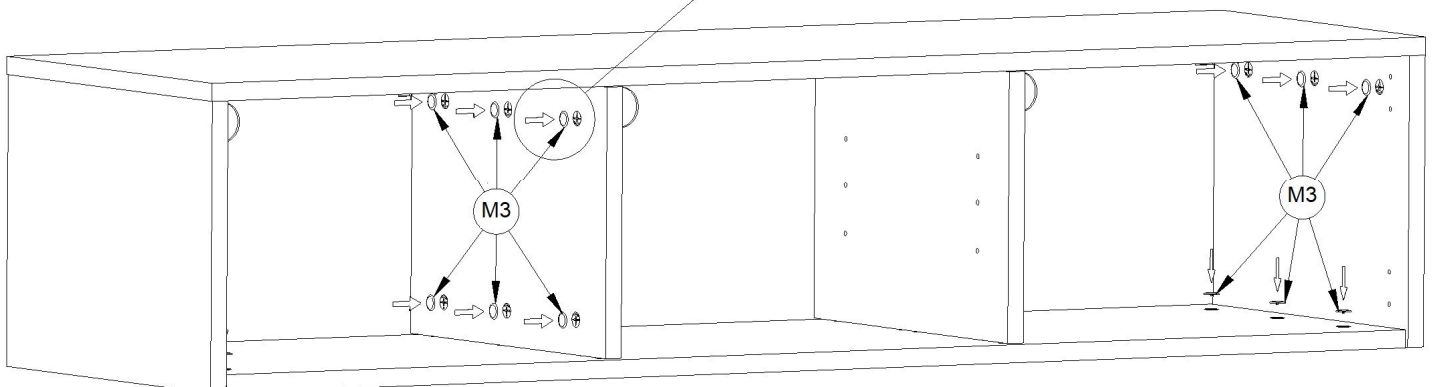
STEP 9

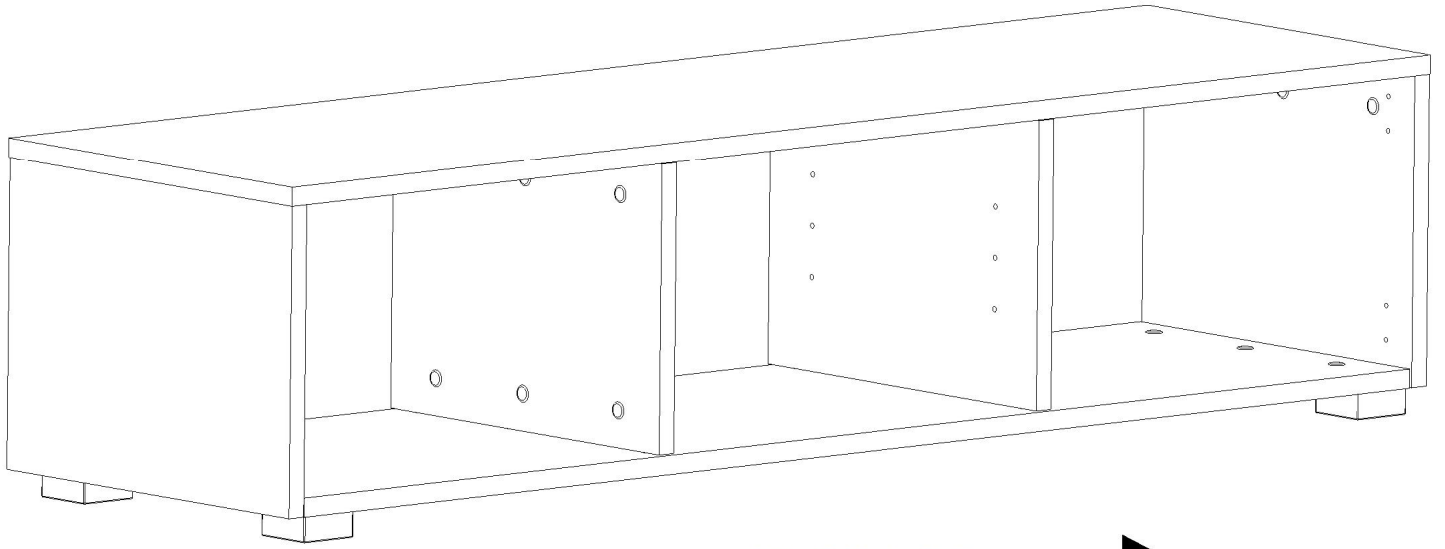


STEP 10

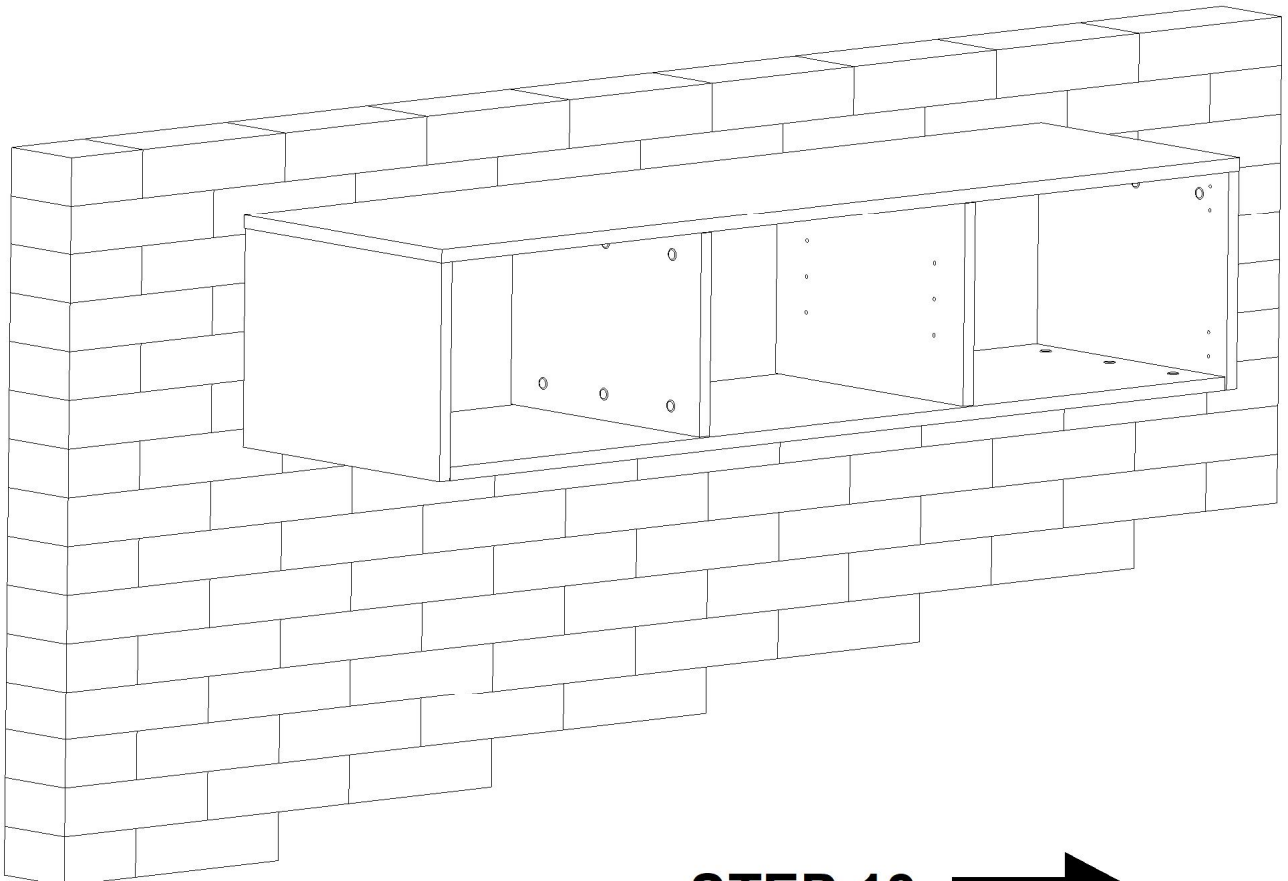


STEP 11



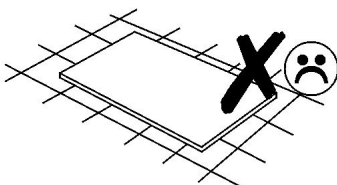
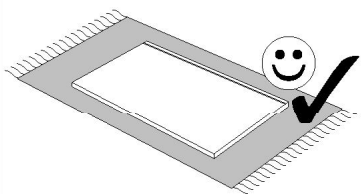
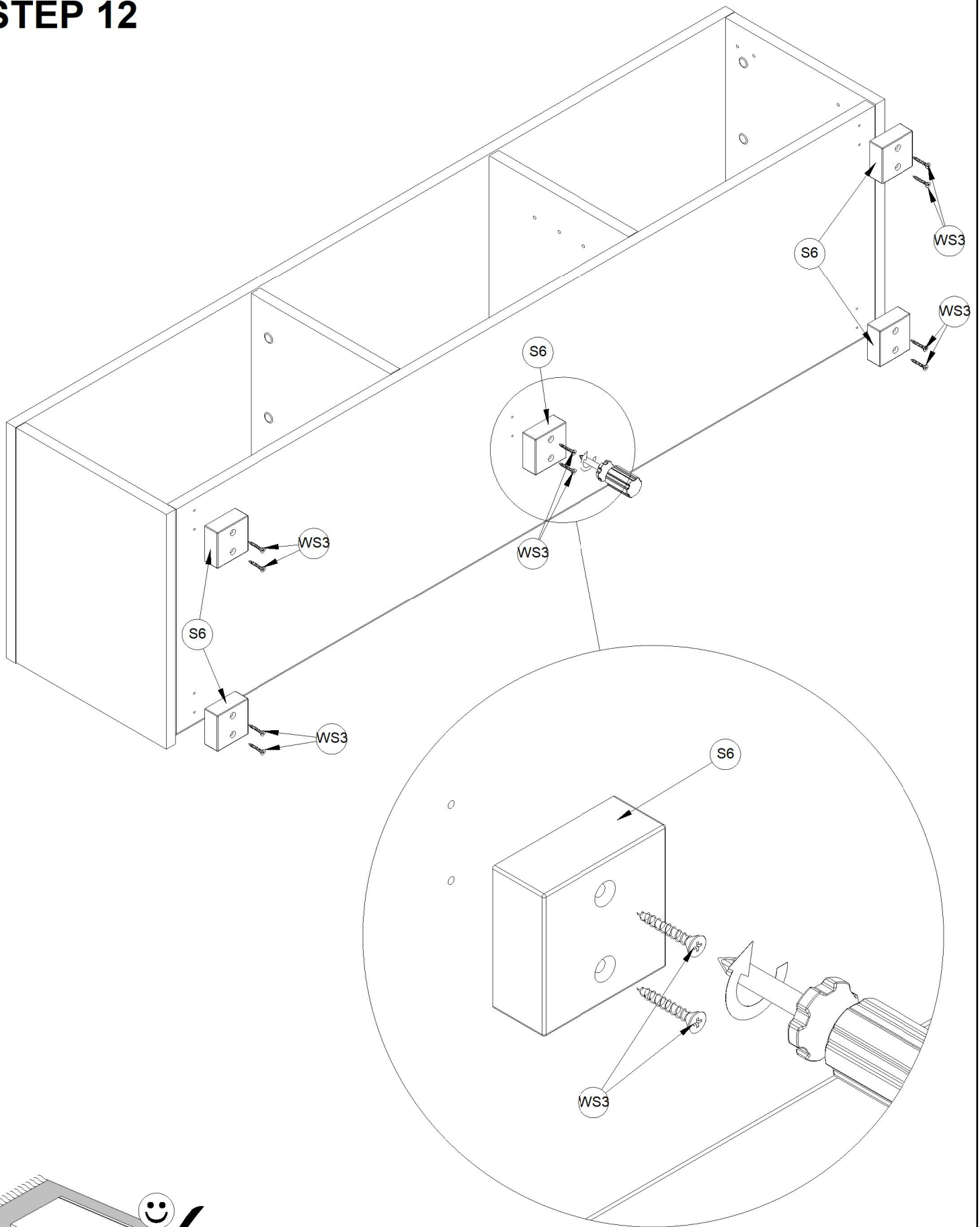


STEP 12 →

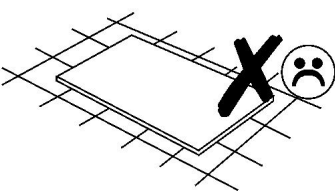
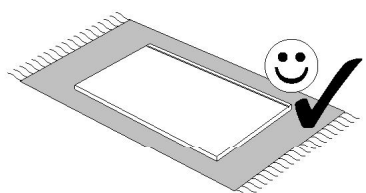
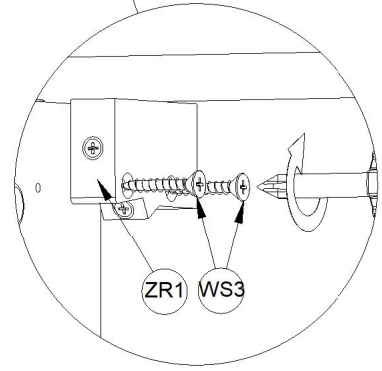
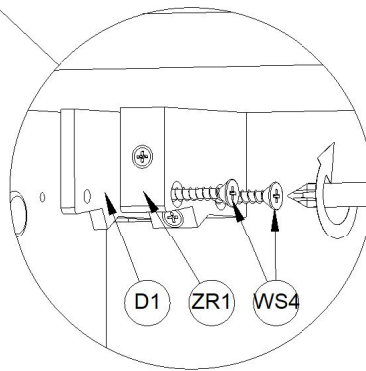
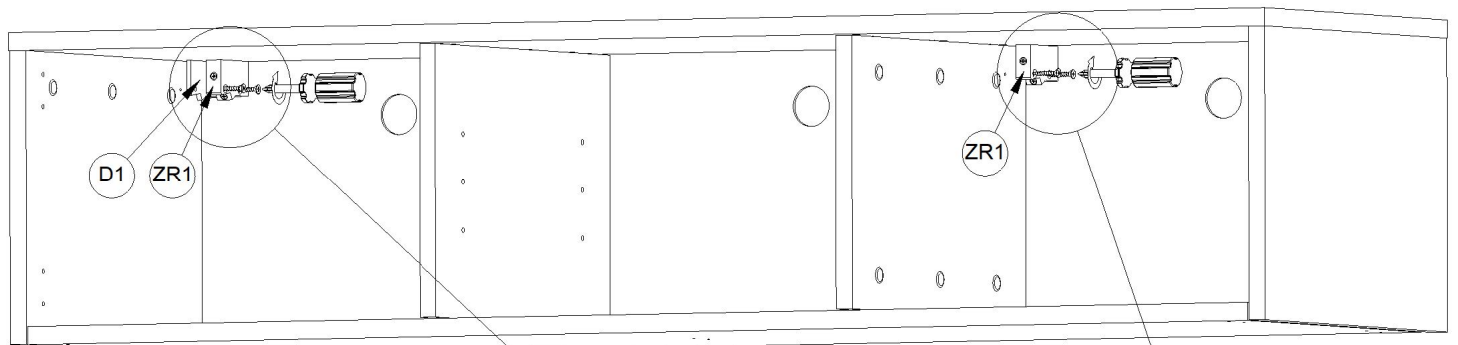
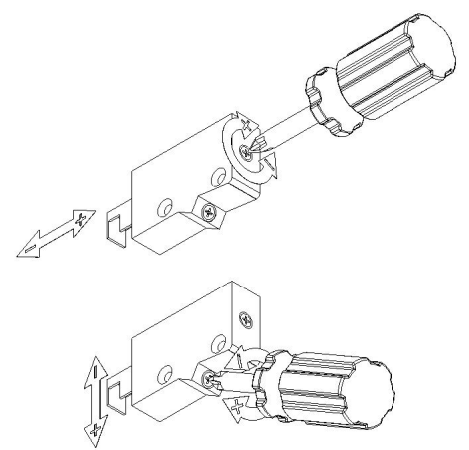
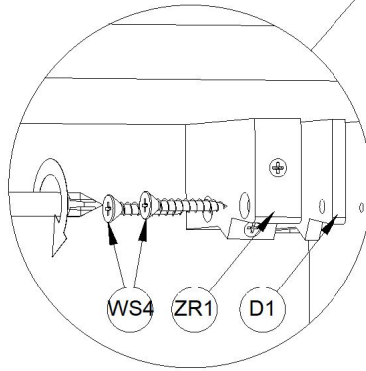
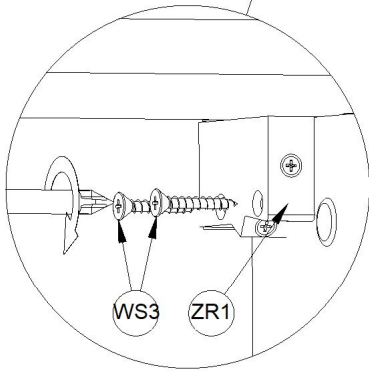
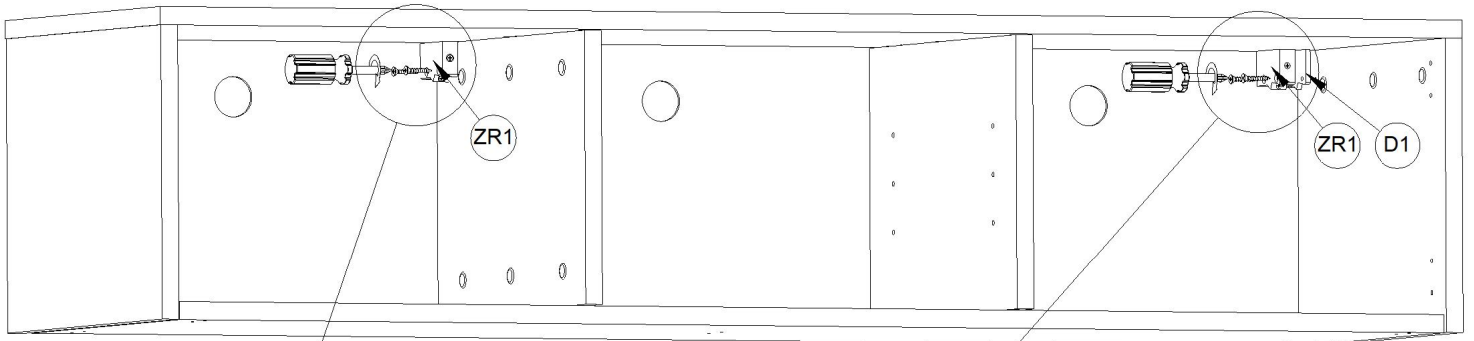


STEP 13 →

STEP 12

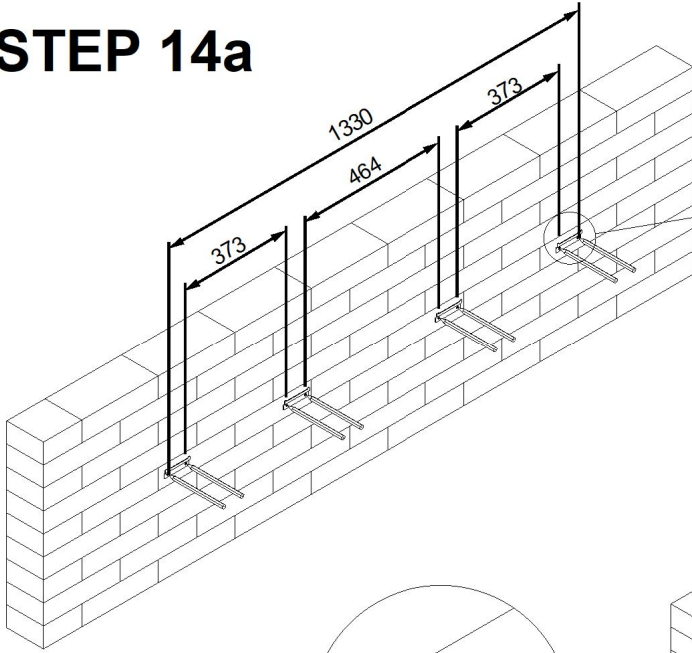


STEP 13

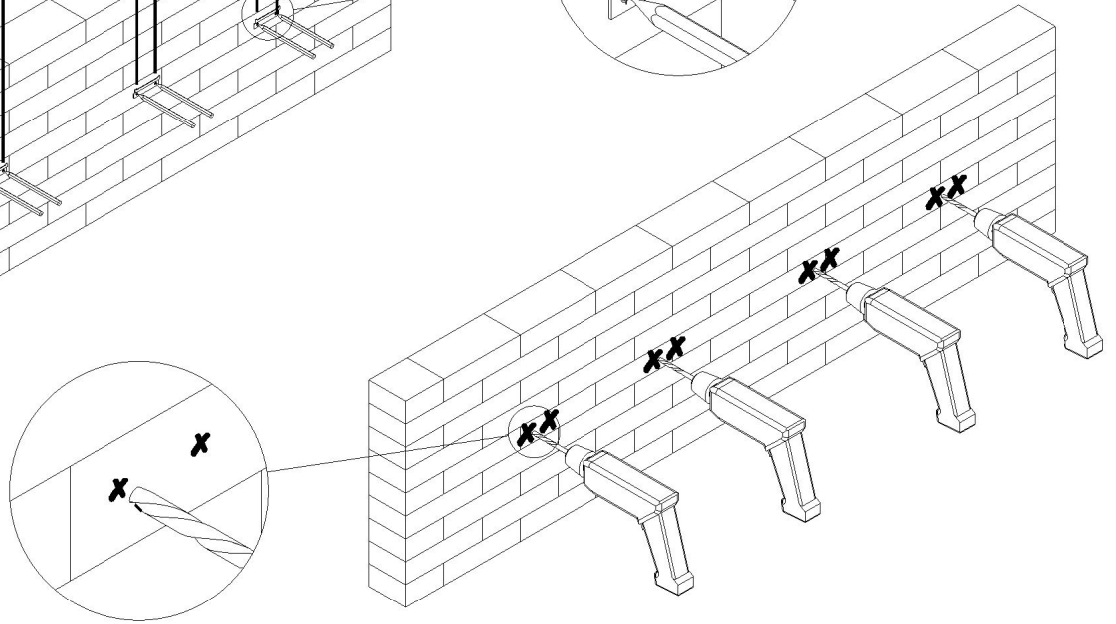


STEP 14

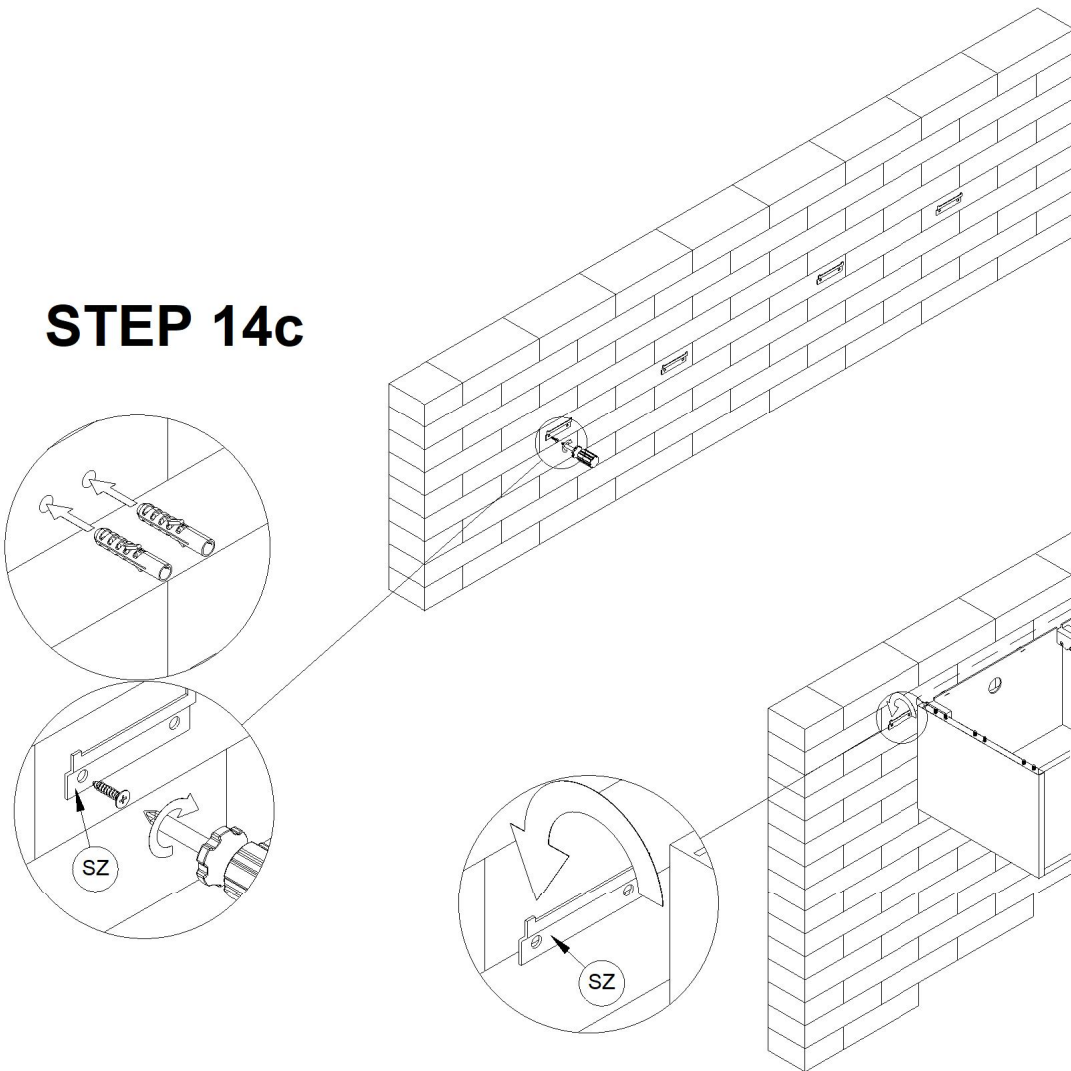
STEP 14a



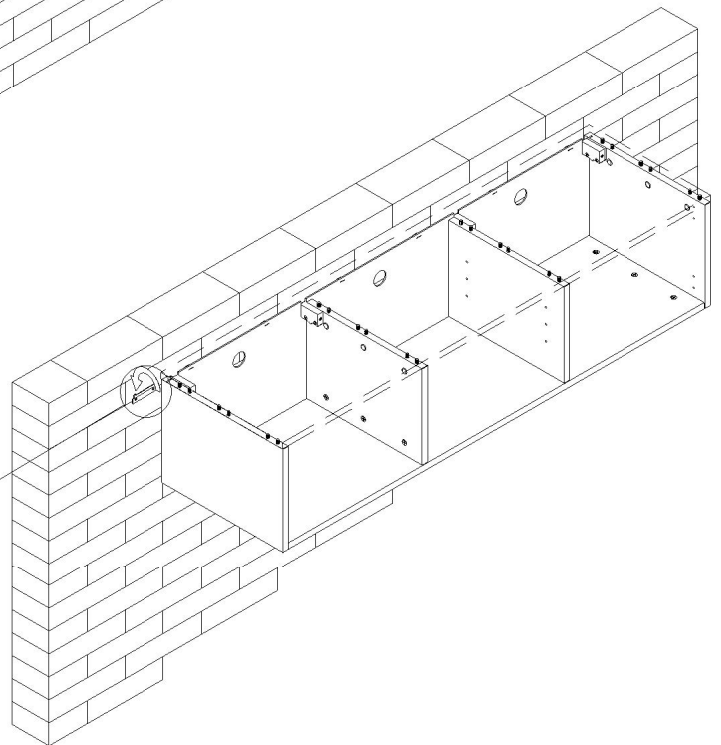
STEP 14b



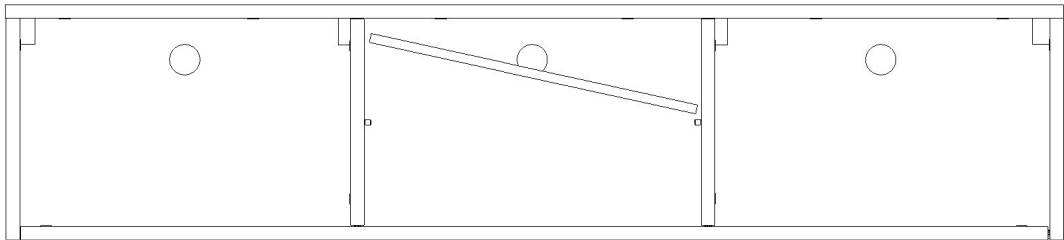
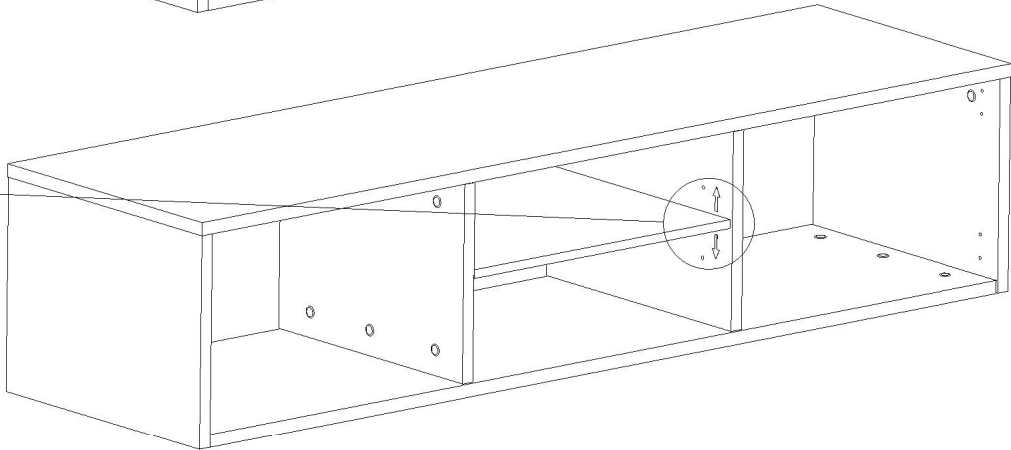
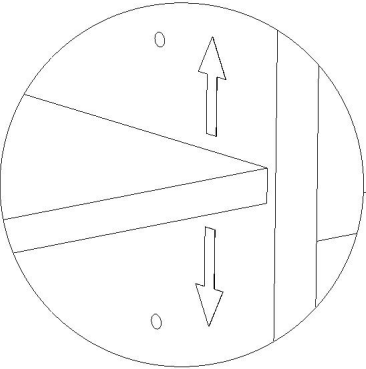
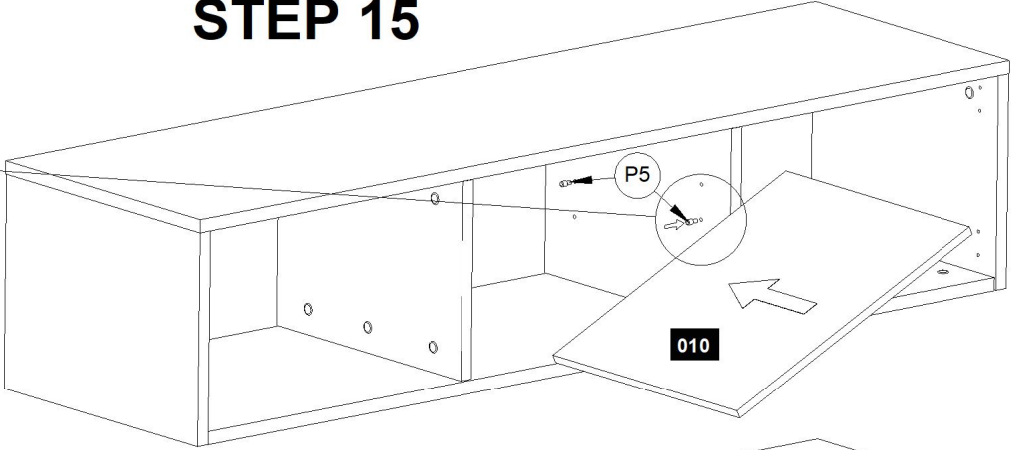
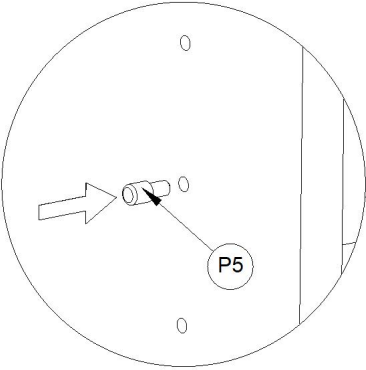
STEP 14c



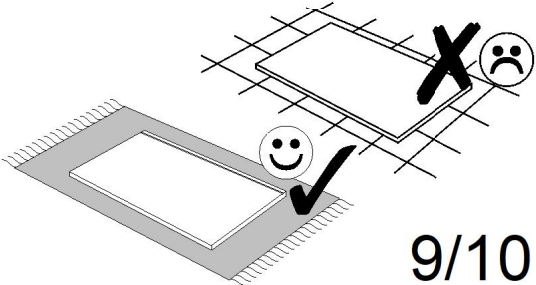
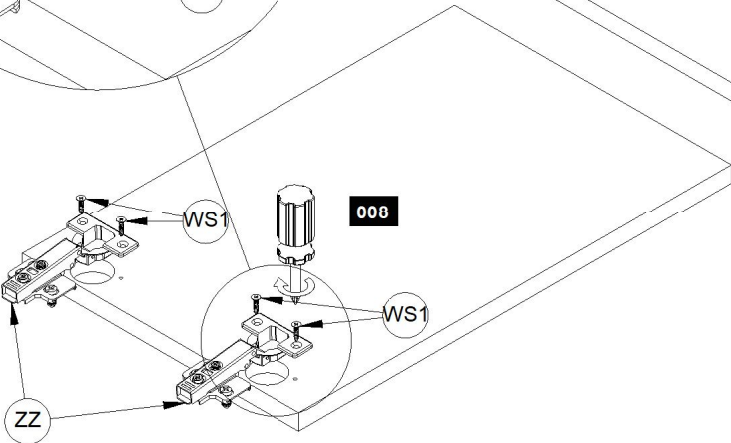
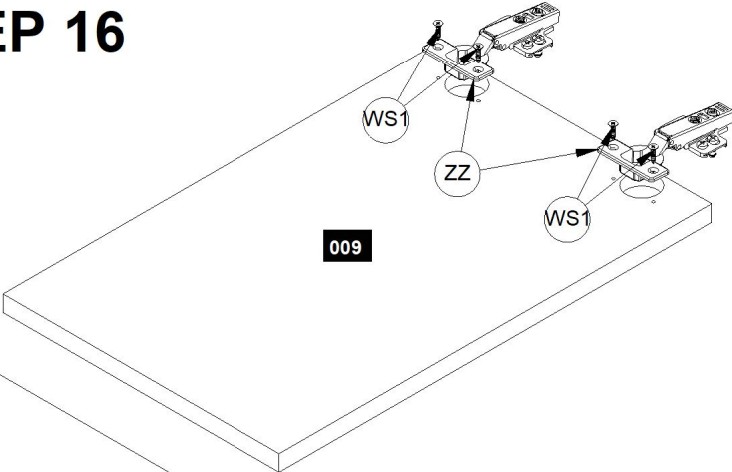
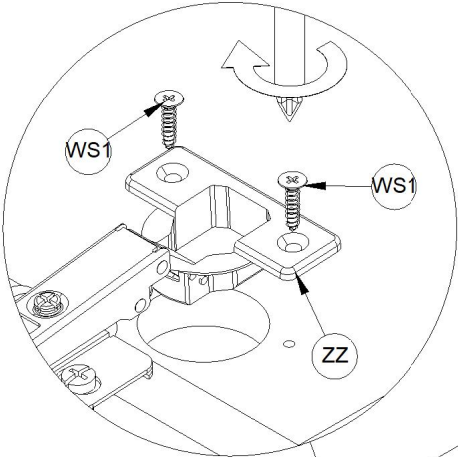
STEP 14d



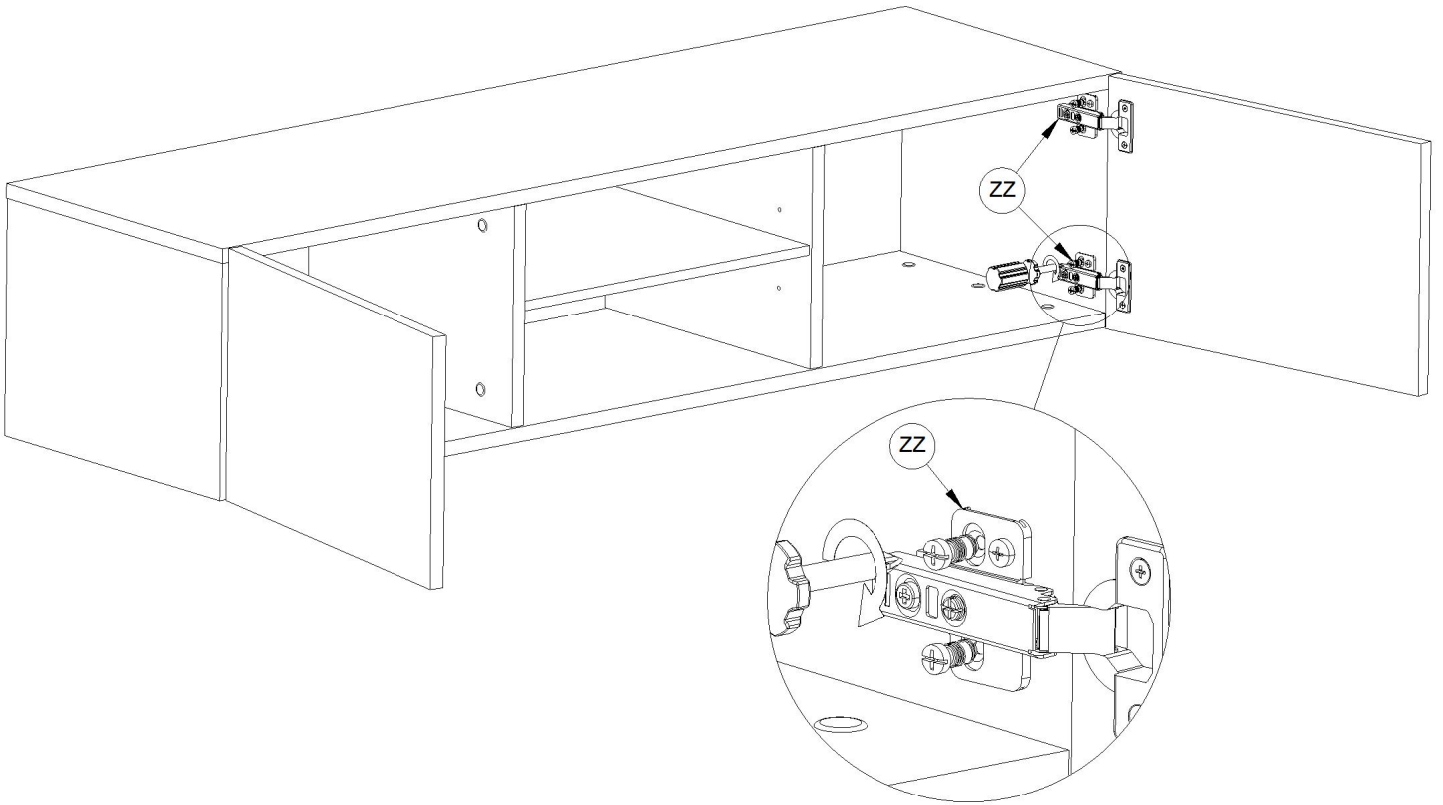
STEP 15



STEP 16



STEP 17



STEP 18

