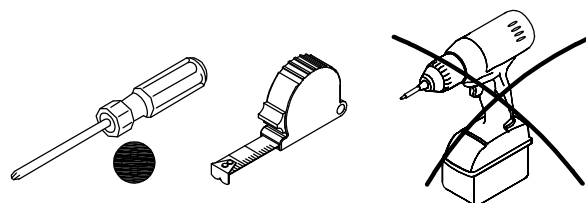
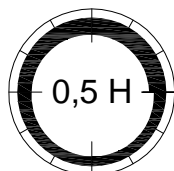
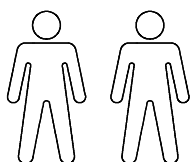
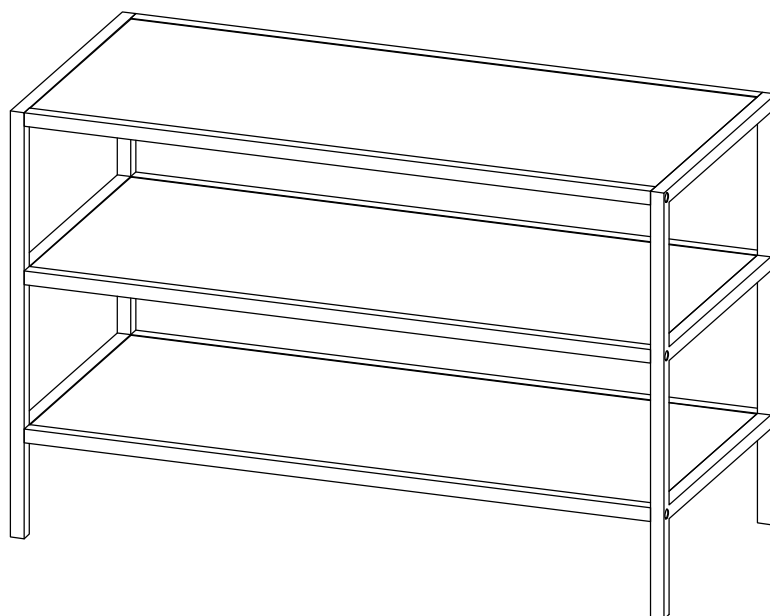
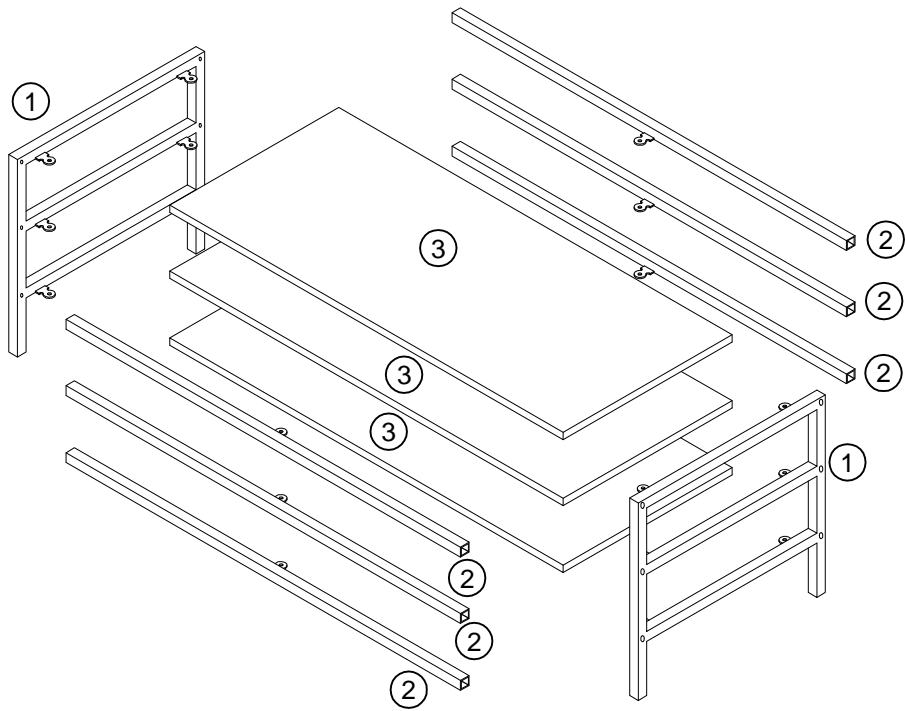
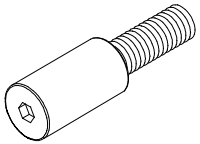
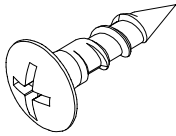
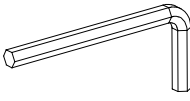


# SEAFORD

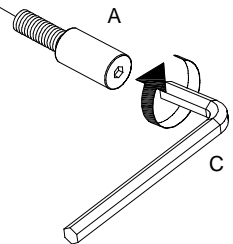
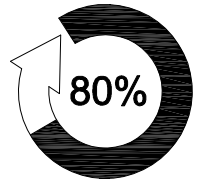
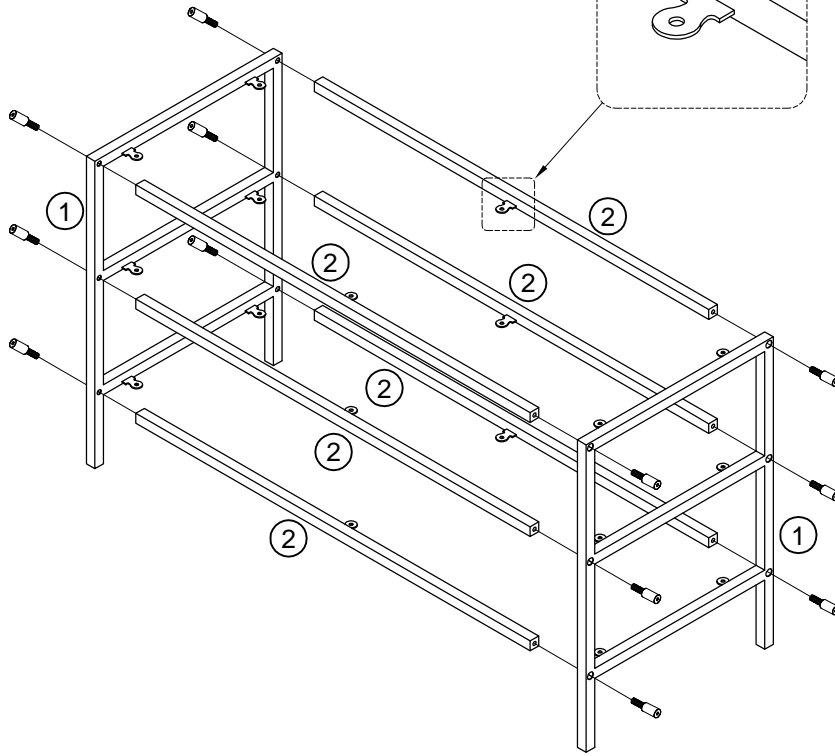
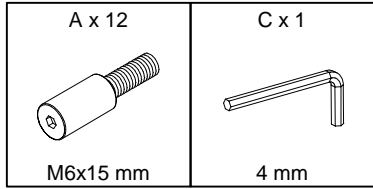


			✓
①	2	500x350x42	
②	6	738x42x16	
③	3	737x317x12	

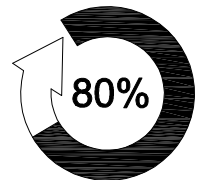
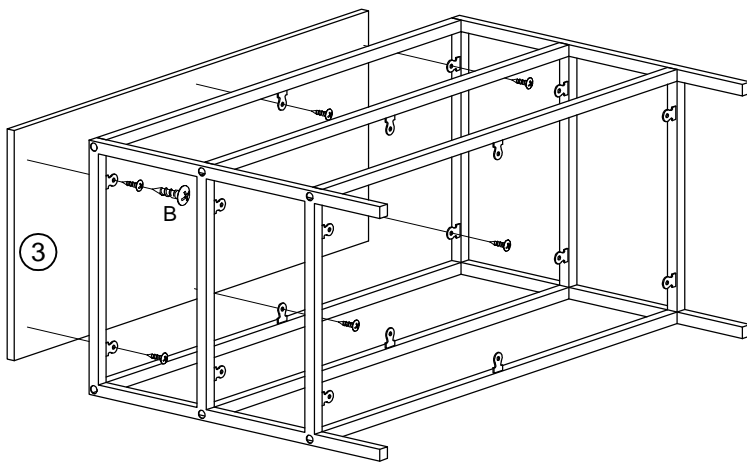
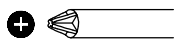
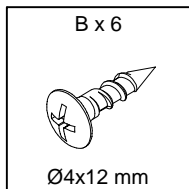


A x 12	B x 18	C x 1
		
M6x15 mm	Ø4x12 mm	4 mm

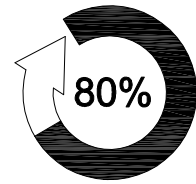
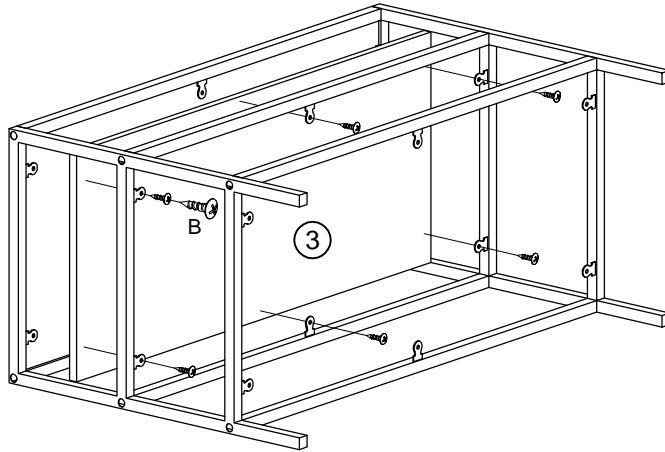
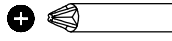
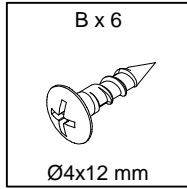
# 1



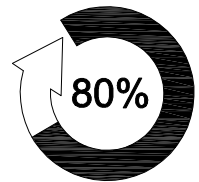
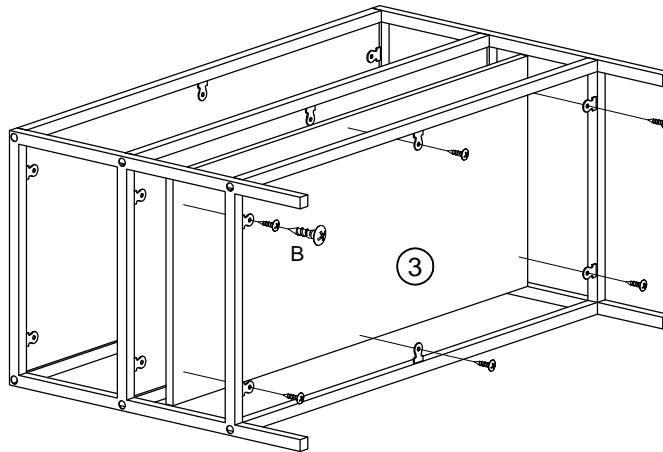
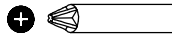
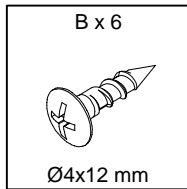
# 2



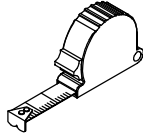
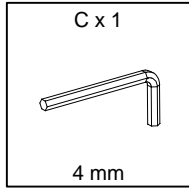
# 3



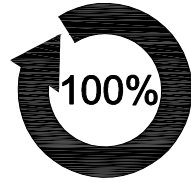
# 4



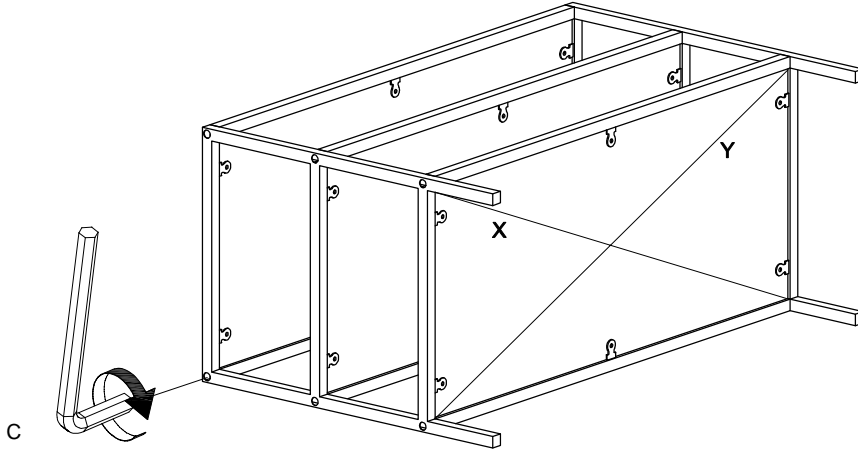
5



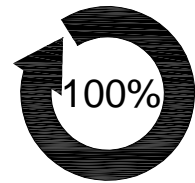
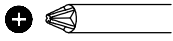
X=Y



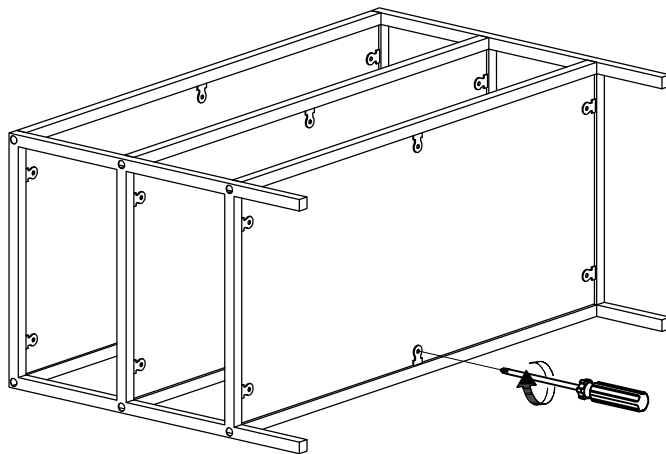
Ax12



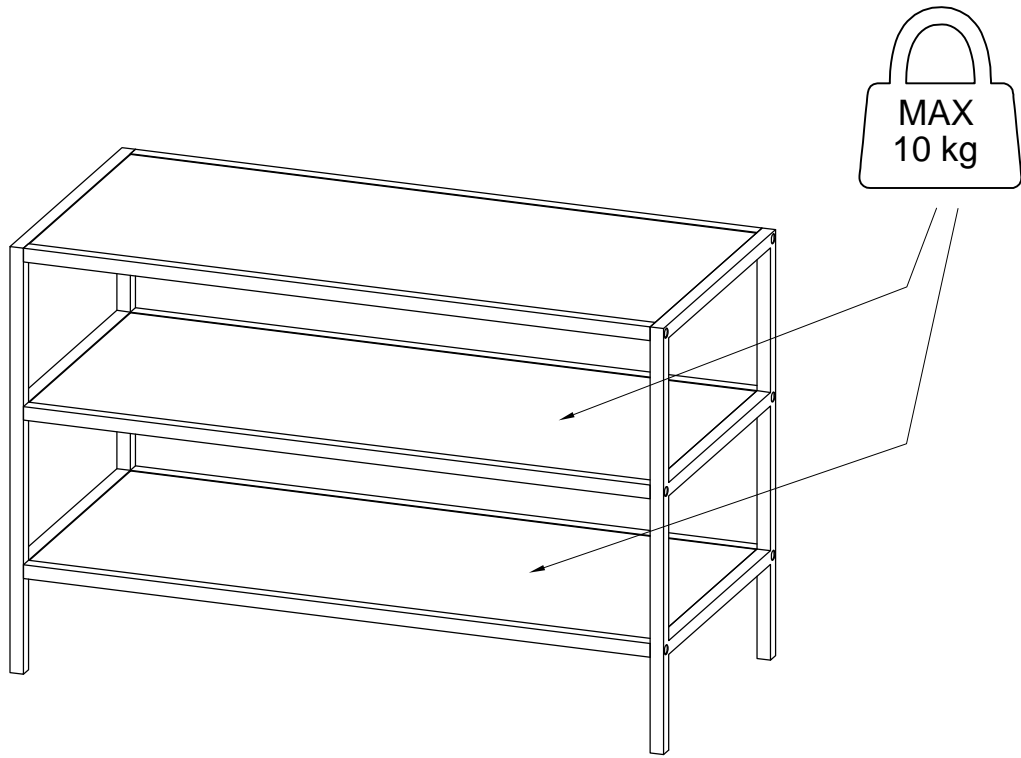
6



Bx18



7



---

8

