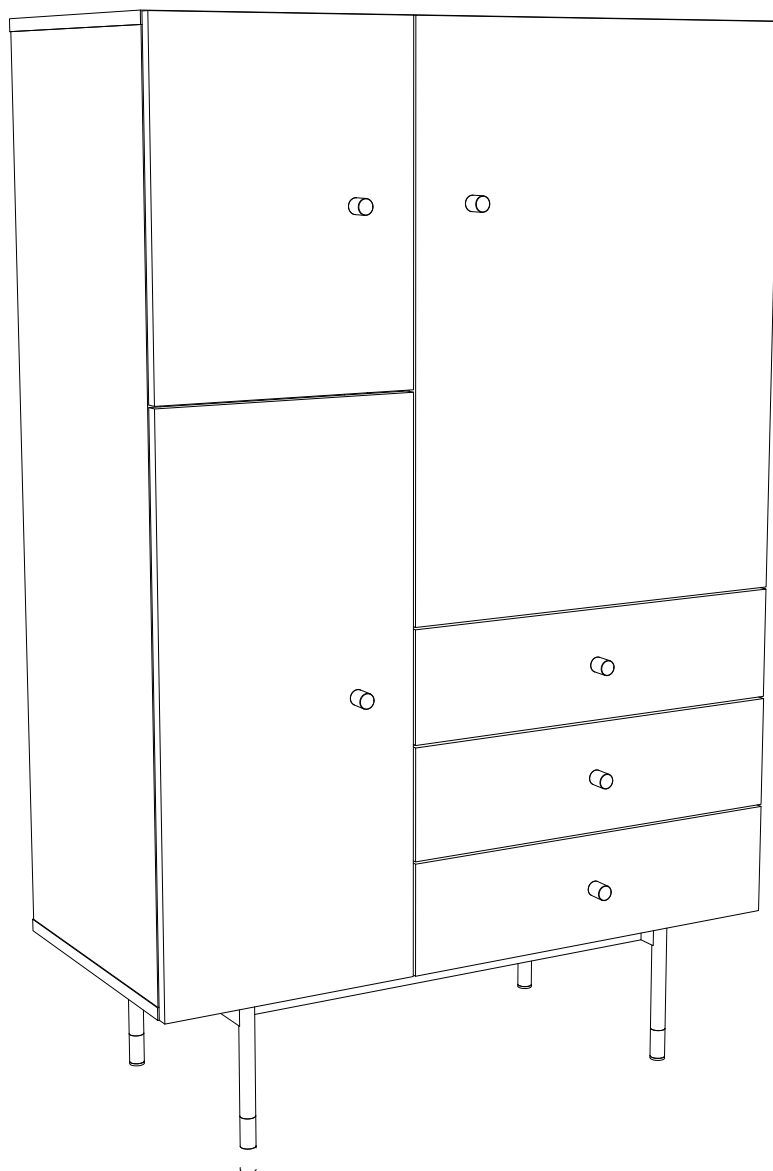


# Assembly Instruction

---



---

900 x 416 x 1400 (L x W x H, mm)

---

Batch code:



Woodman OÜ

Made in Estonia

Mäo, Järvamaa

[www.woodman.ee](http://www.woodman.ee)

[support@woodman.ee](mailto:support@woodman.ee)

## Dear Customer !

Congatulations on your bew purchase. Follow this advice and get the best result when assembling the product.

Read the instruction carefully before you start

Get help, if two or more persons are required for assembly

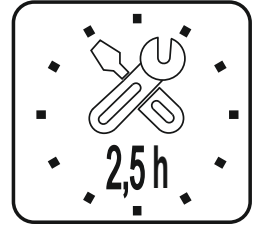
Make sure you have all parts on the total material list

Work on a soft, flat surface to avoid any damage to the finish

Follow the assembly instruction

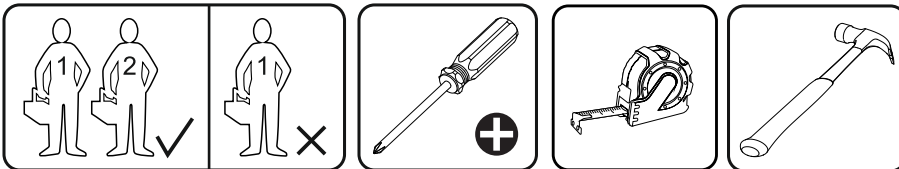
Tighten the furniture joints after a month

Keep the assembly instruction



## Tools needed

## Do not use !!!



ENG - In case of any quality issues contact your local dealer and always mention item reference No.

FR - En cas de problemes de qualite contactez votre revendeur local et mentionnez toujours la reference de l'article.

IT - In caso di eventuali problemi di qualitata contattate il rivenditore locale e citare sempre punto di riferimento No.

ES - En caso de problemas de calidad pongase en contacto con se distribuidor local y mencione siempre la referencia del articulo.

DE - Wenn Sie Qualitätsprobleme haben wenden Sie sich bitte an ihren örtlichen Händler und erwähnen Sie immer die Artikelnummer.

# Total material list, hardware

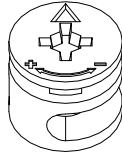
Ⓐx62



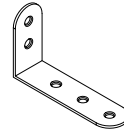
Ⓑx44



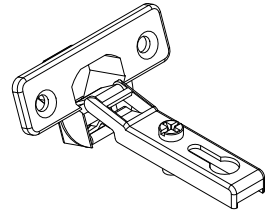
Ⓒx44



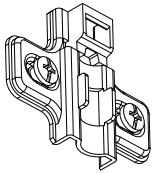
Ⓓx1



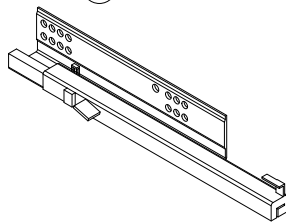
Ⓔx7



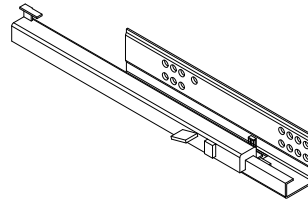
Ⓕx7



Ⓖx3



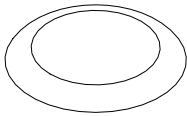
Ⓕx3



Ⓘx12



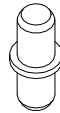
Ⓙx40



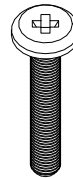
Ⓚx16



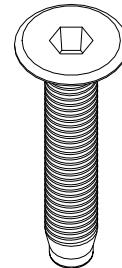
Ⓛx16



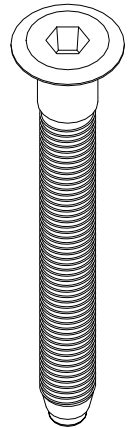
Ⓜx6



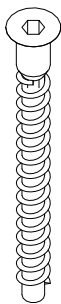
Ⓝx8



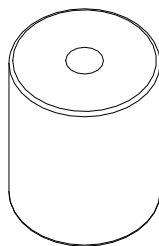
Ⓞx4



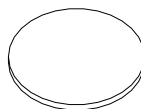
Ⓟx8



Ⓡx6



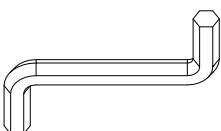
Ⓢx4



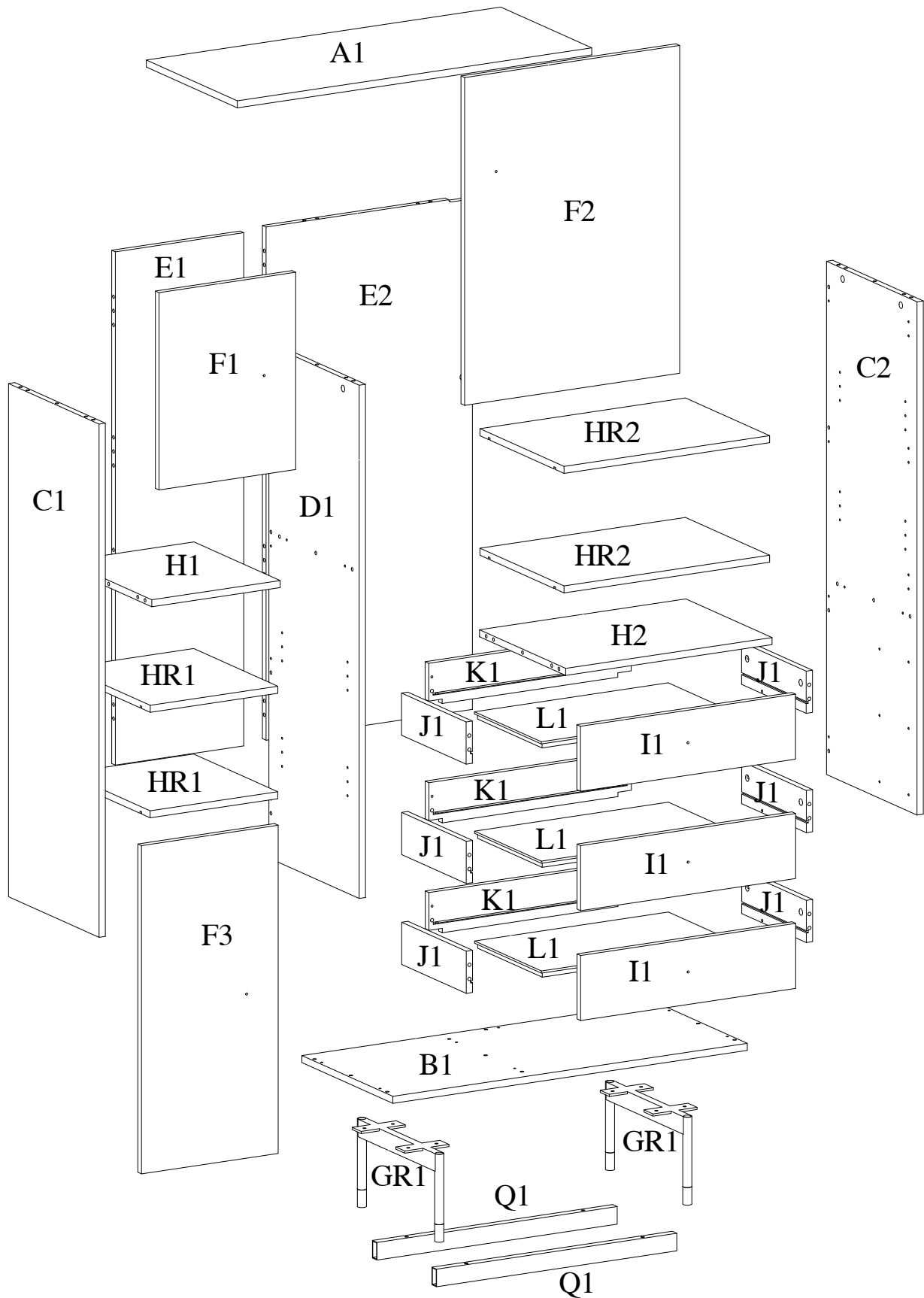
Ⓣx12



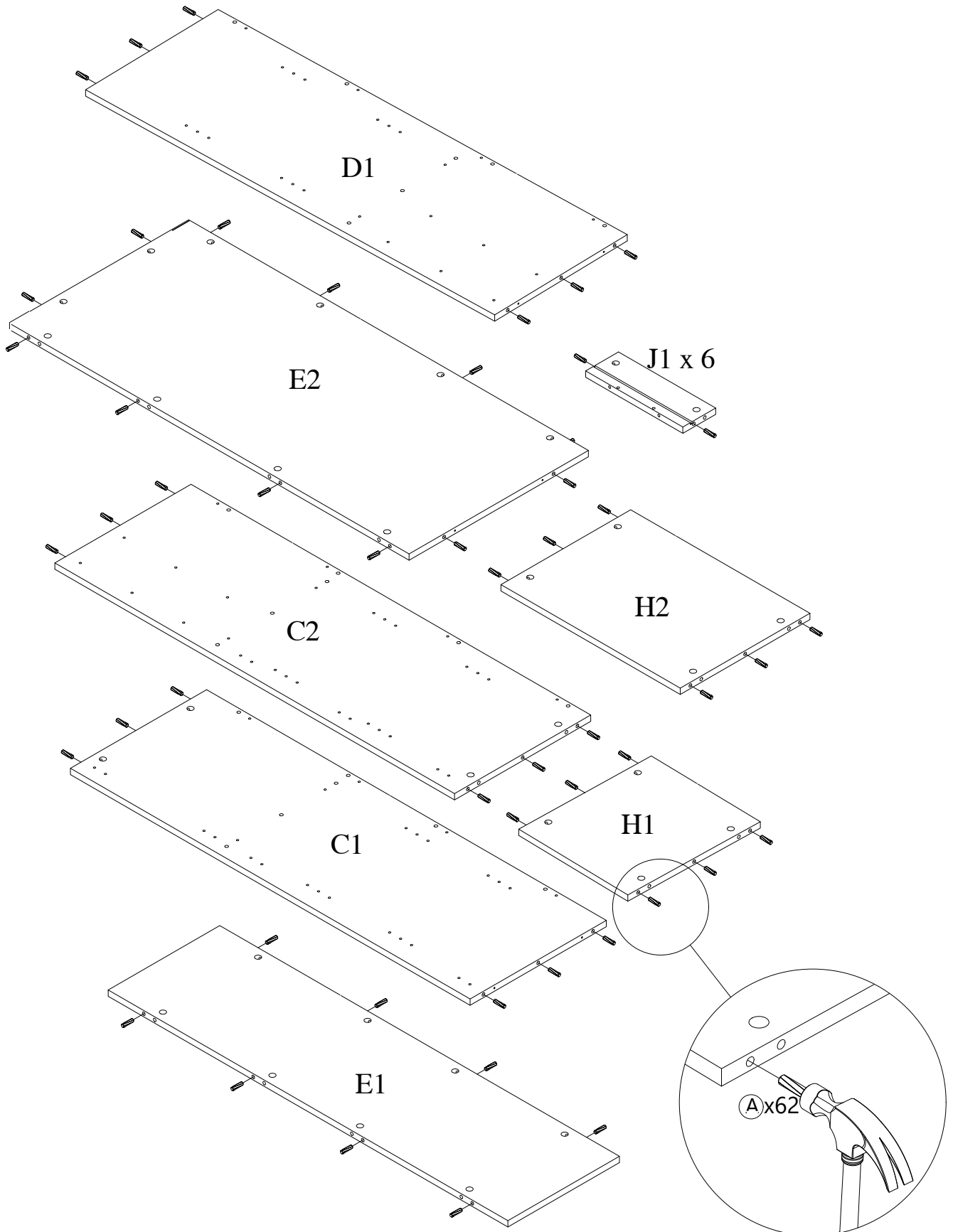
Ⓠx3;4 mm



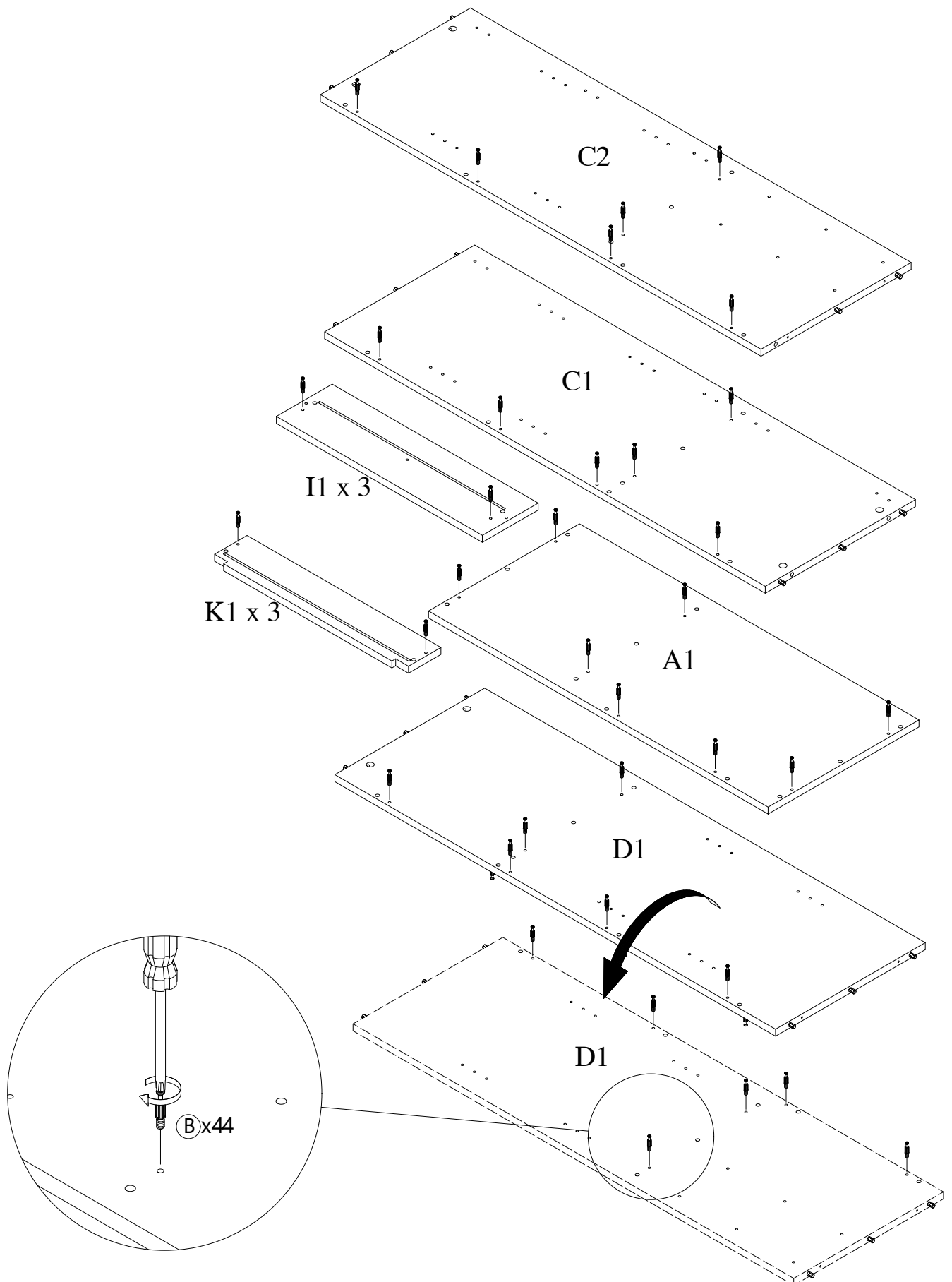
# Total material list, furniture parts



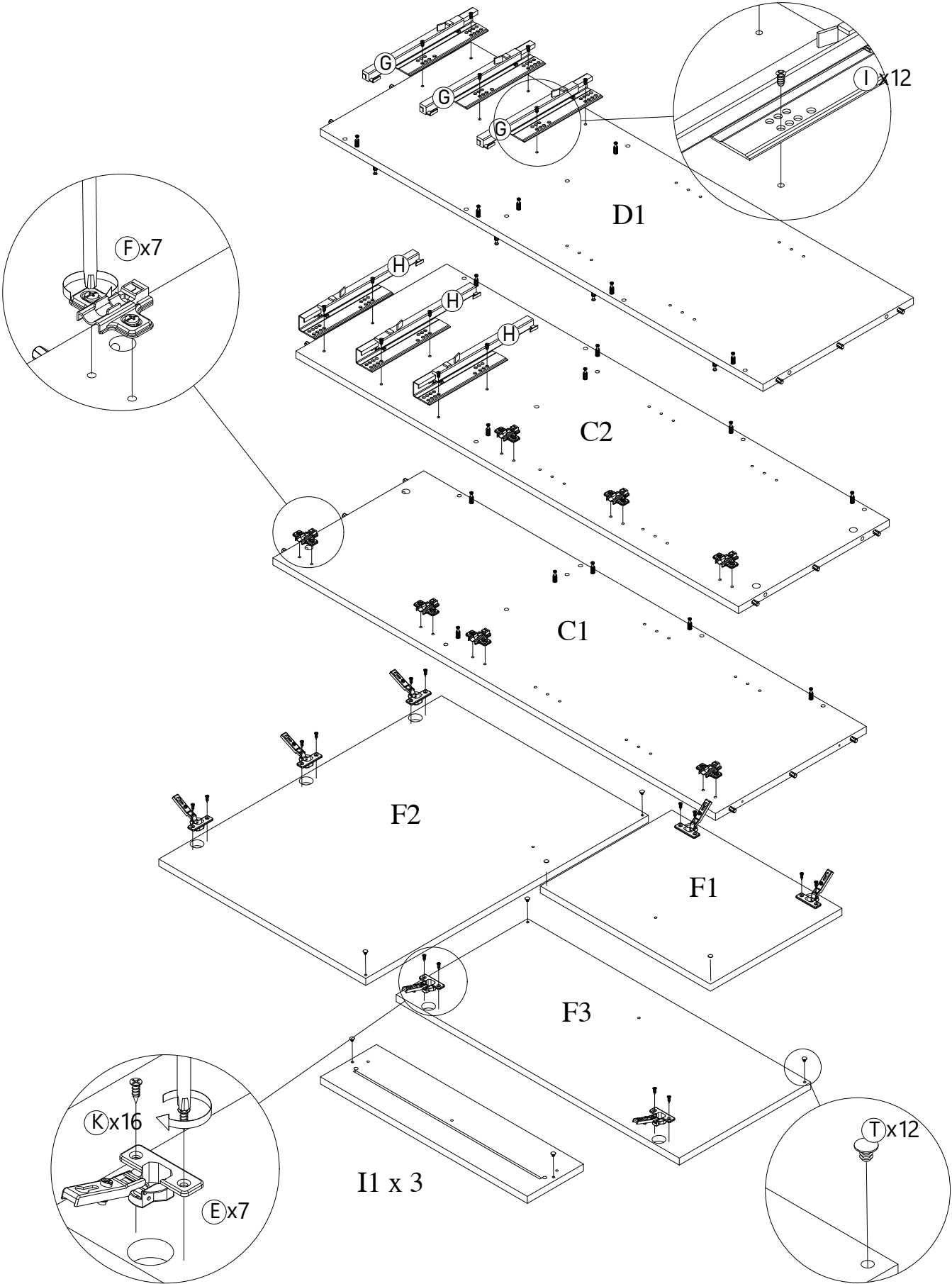
# Assembly instructions, 1



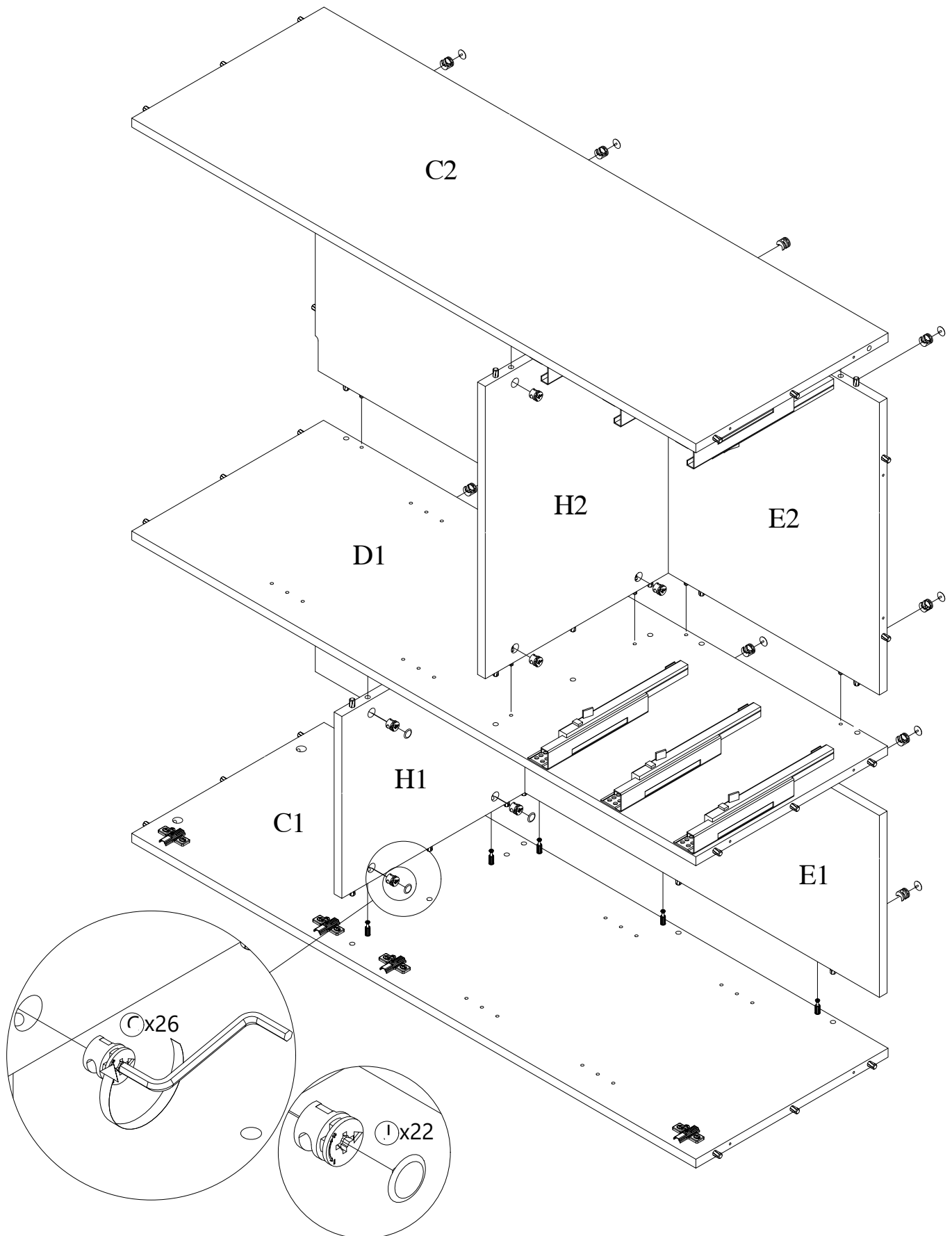
# Assembly instructions, 2



# Assembly instructions, 3

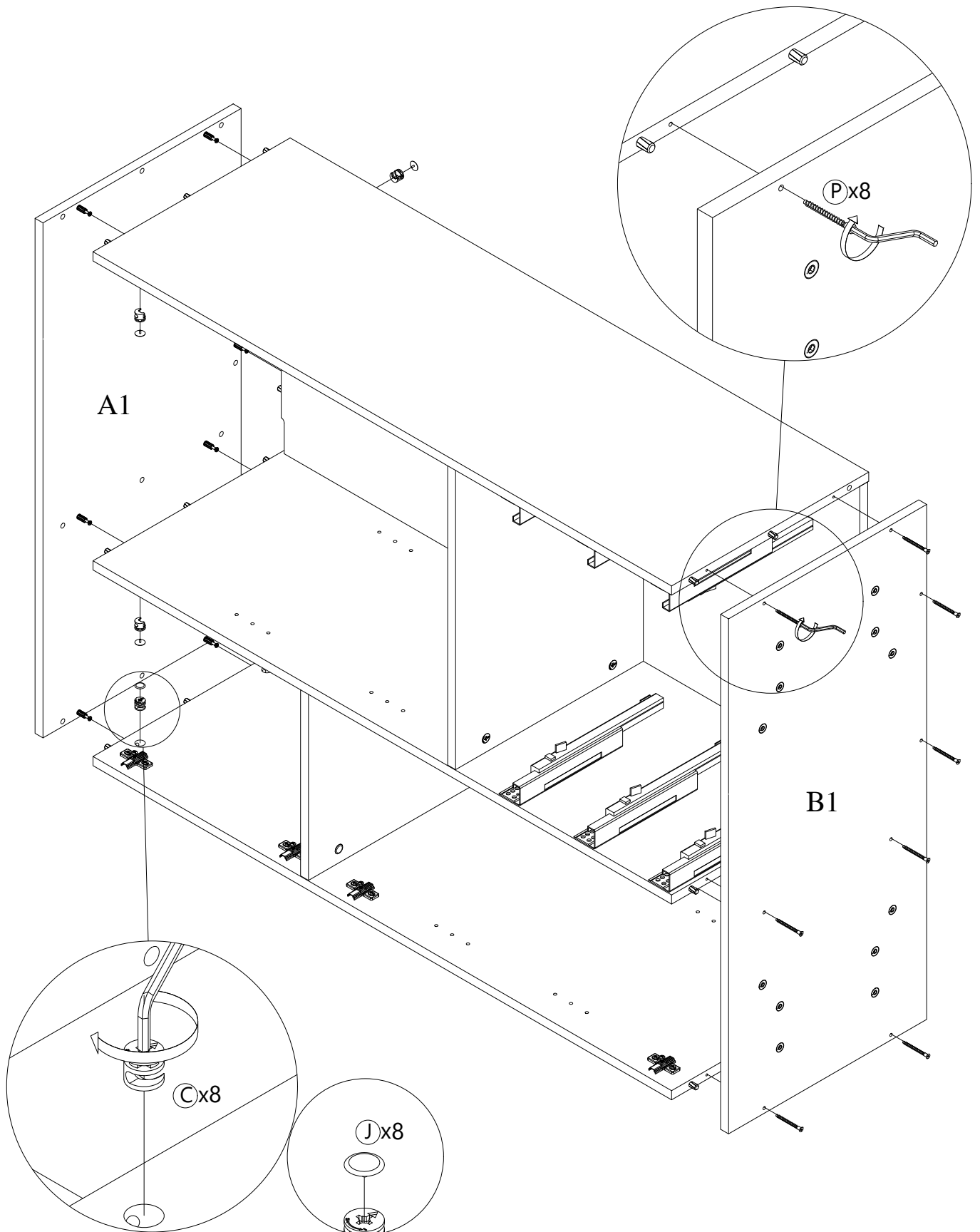


# Assembly instructions, 4

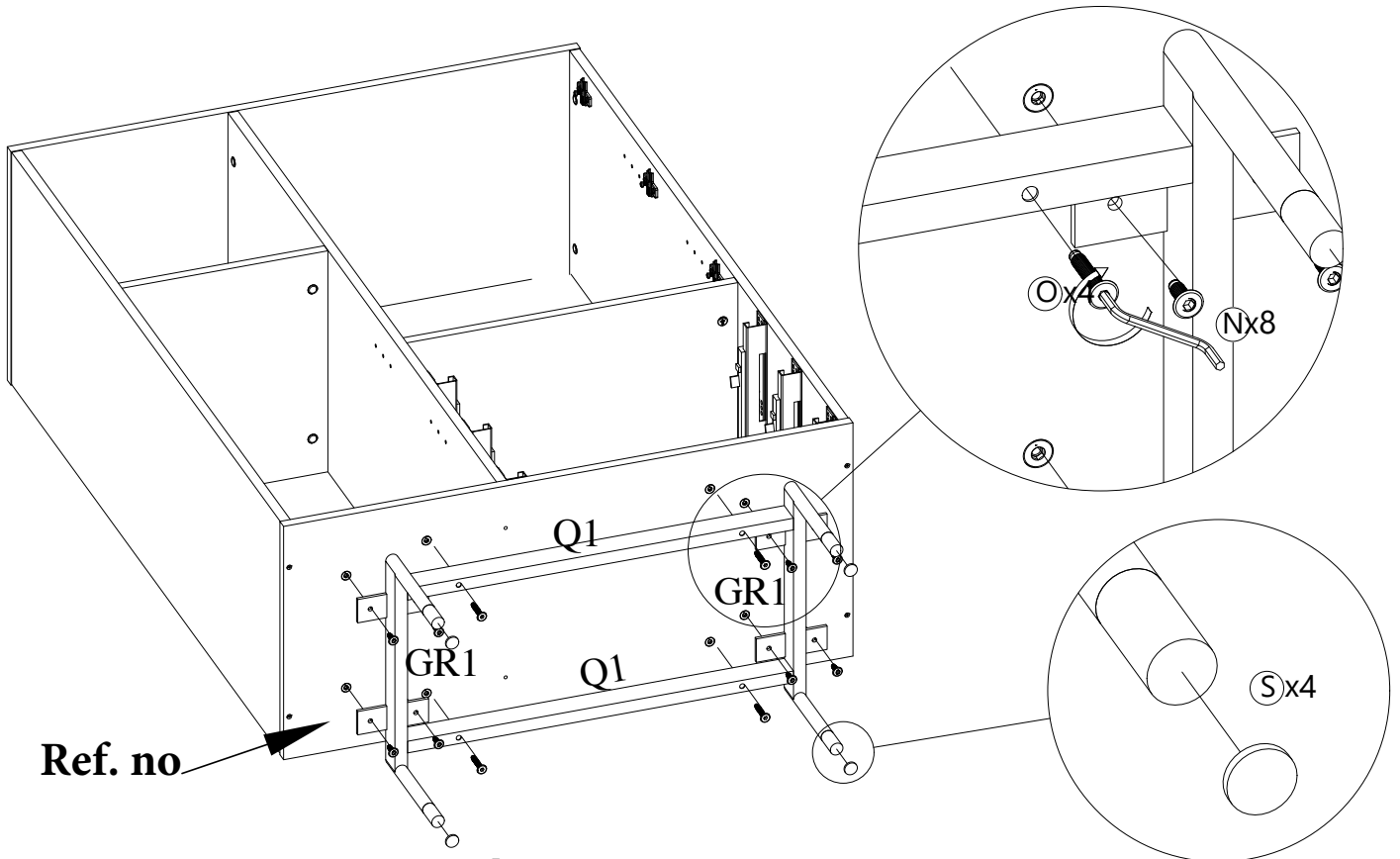




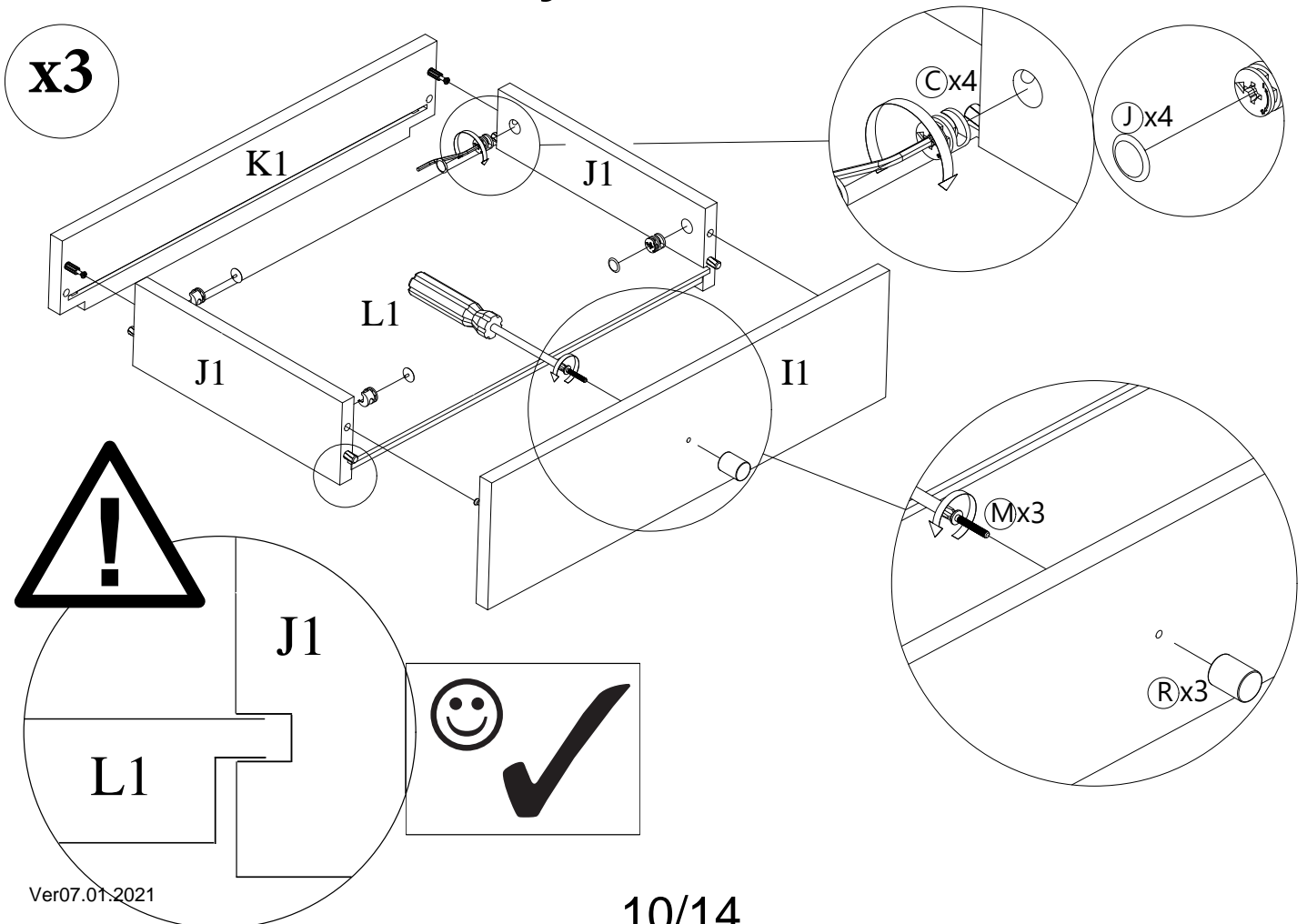
# Assembly instructions, 5



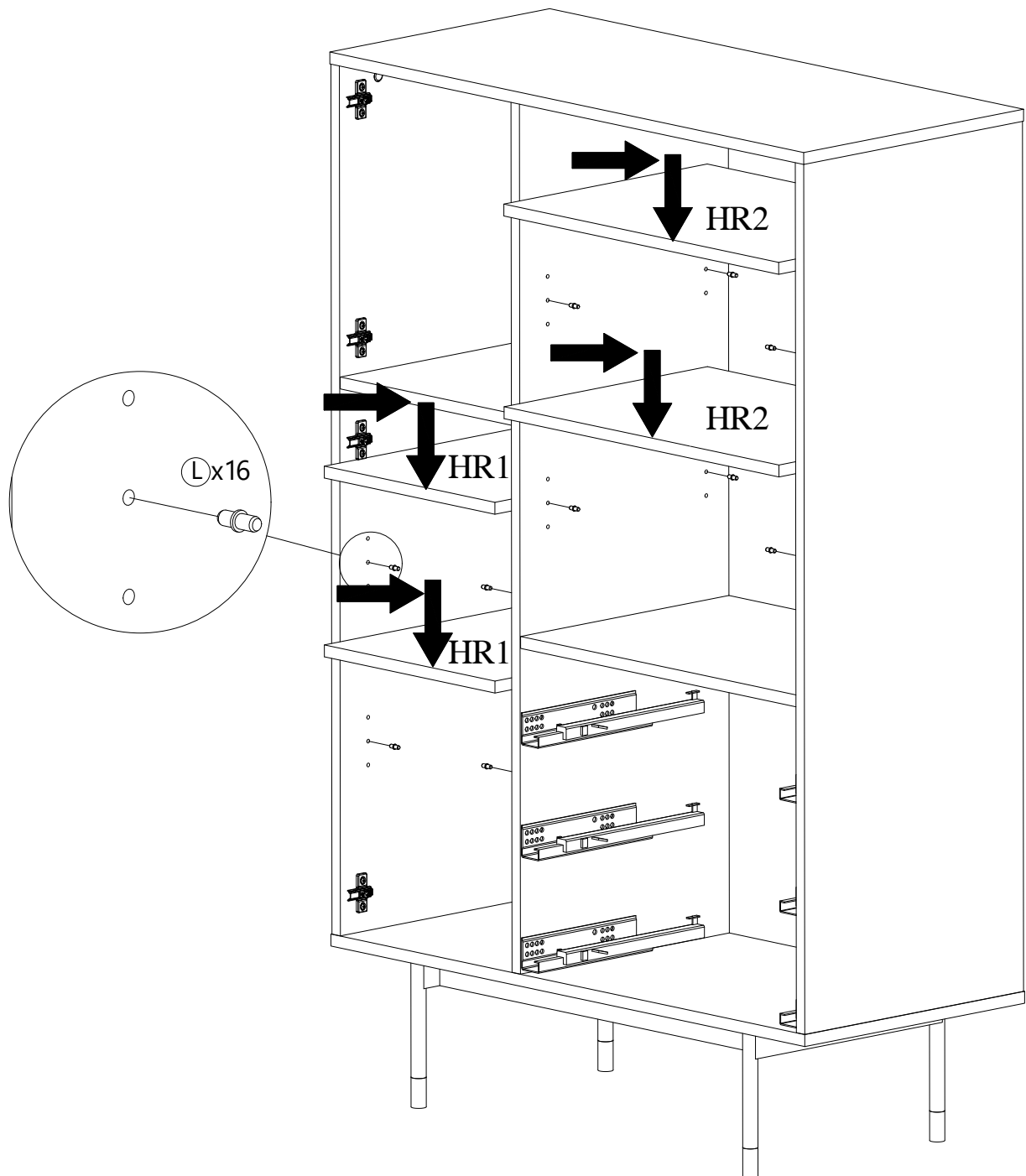
# Assembly instructions, 6



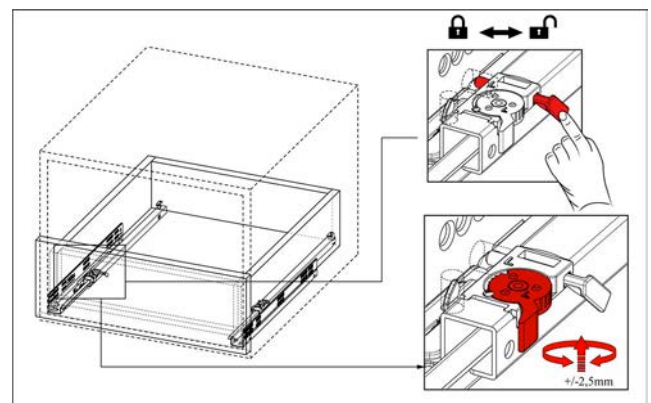
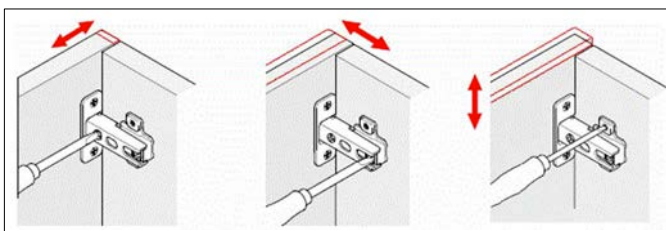
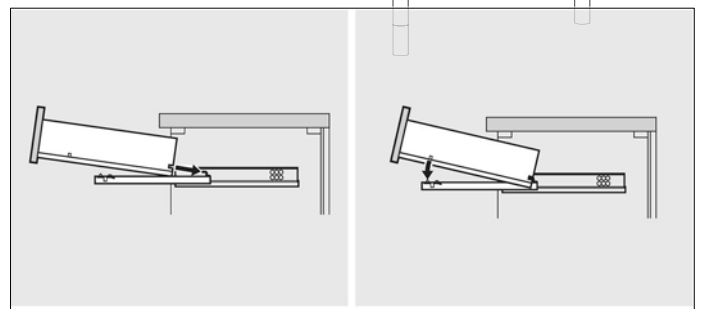
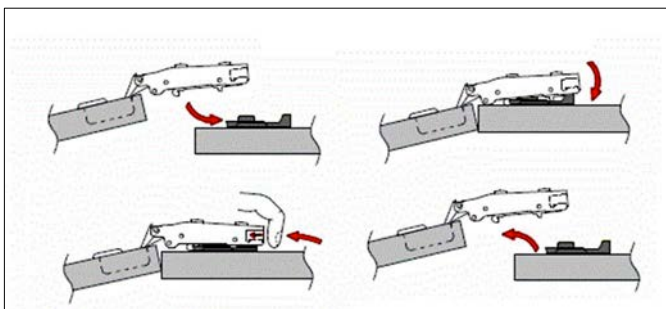
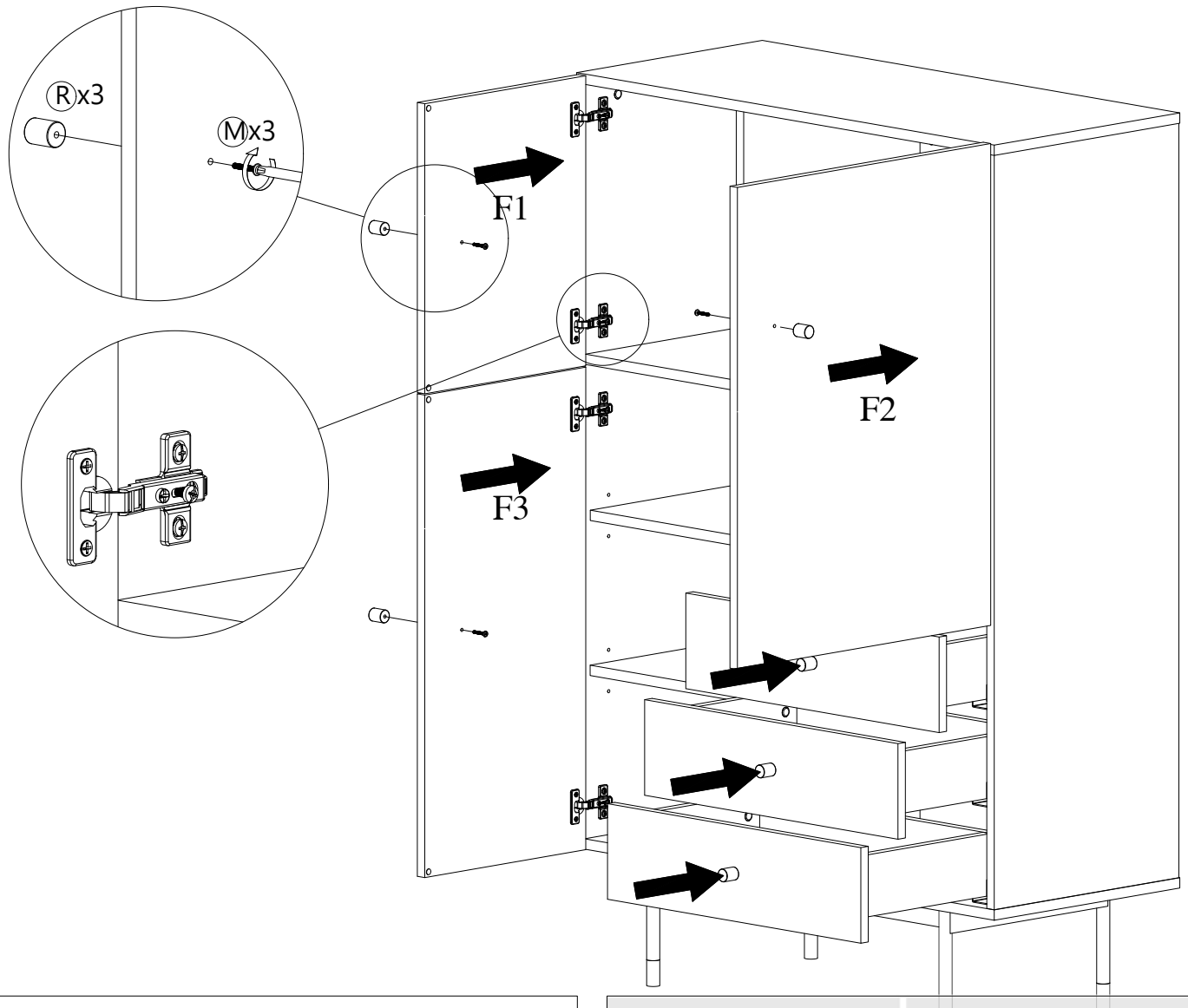
# Assembly instructions, 7



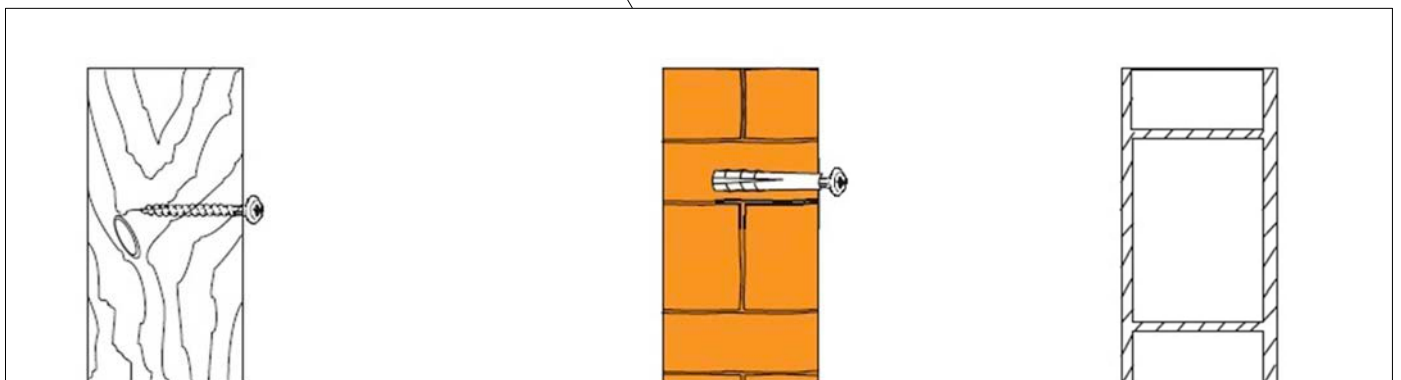
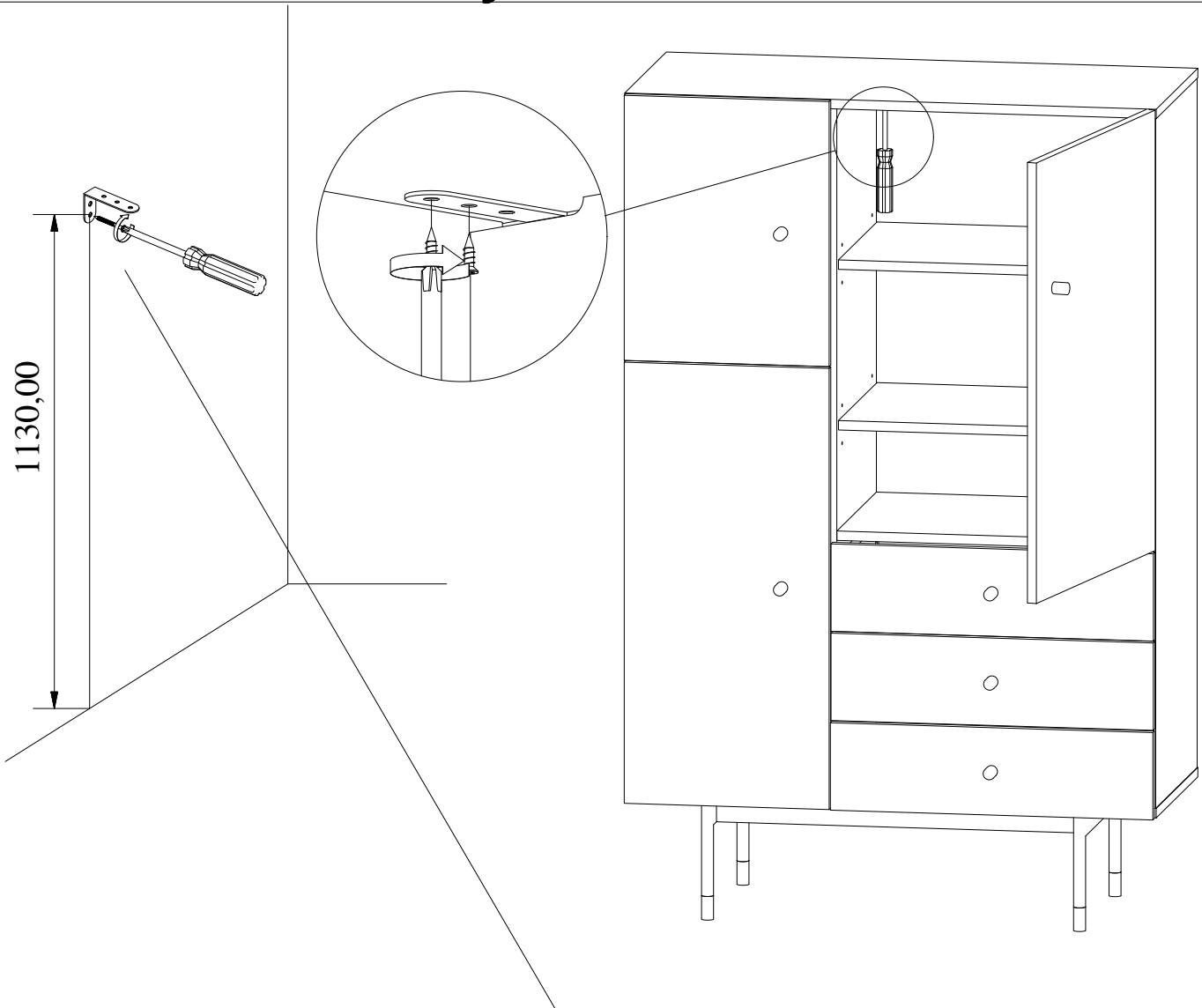
# Assembly instructions, 8



# Assembly instructions, 9



# Assembly instructions, 10



**Wood**  
If fixing to wood make sure that it isn't chipboard as screws can easily pull away from the core structure

**Brick or Masonry**  
Use an appropriate wall plug provided you are sure your wall is sound

**Cavity wall**  
Special toggle wall plugs are needed. Seek expert advice

# Safety and Care Advice

## General care and maintenance

Only clean using a damp cloth and mild detergent, do not use bleach or abrasive cleaners.

From time to time check that there are no loose screws on this unit.

This product should not be discarded with household waste. Take to your local authority waste disposal centre.

## Cleaning and care of high gloss surfaces

Regular dusting with a dry cloth will keep your units clean.

Clean marks with a damp cloth.

Do not use abrasive cleaners.

Do not clean with products containing following:

Acetone (e.g nail varnish remover). Ammonia (e.g.bleach) or Sodium hydroxid (e.g. Caustic soda, drain and oven cleaners) .

To remove stubborn stain, wipe over with damp cloth and washing up liquid.

In the event of accidental contact with aggressive cleaners, rinse thoroughly with water. Use place mats to protect the surface from moisture and heat.

## Maximum weight limit

**Important:** Recommended maximum load for each shelf is shown below.

