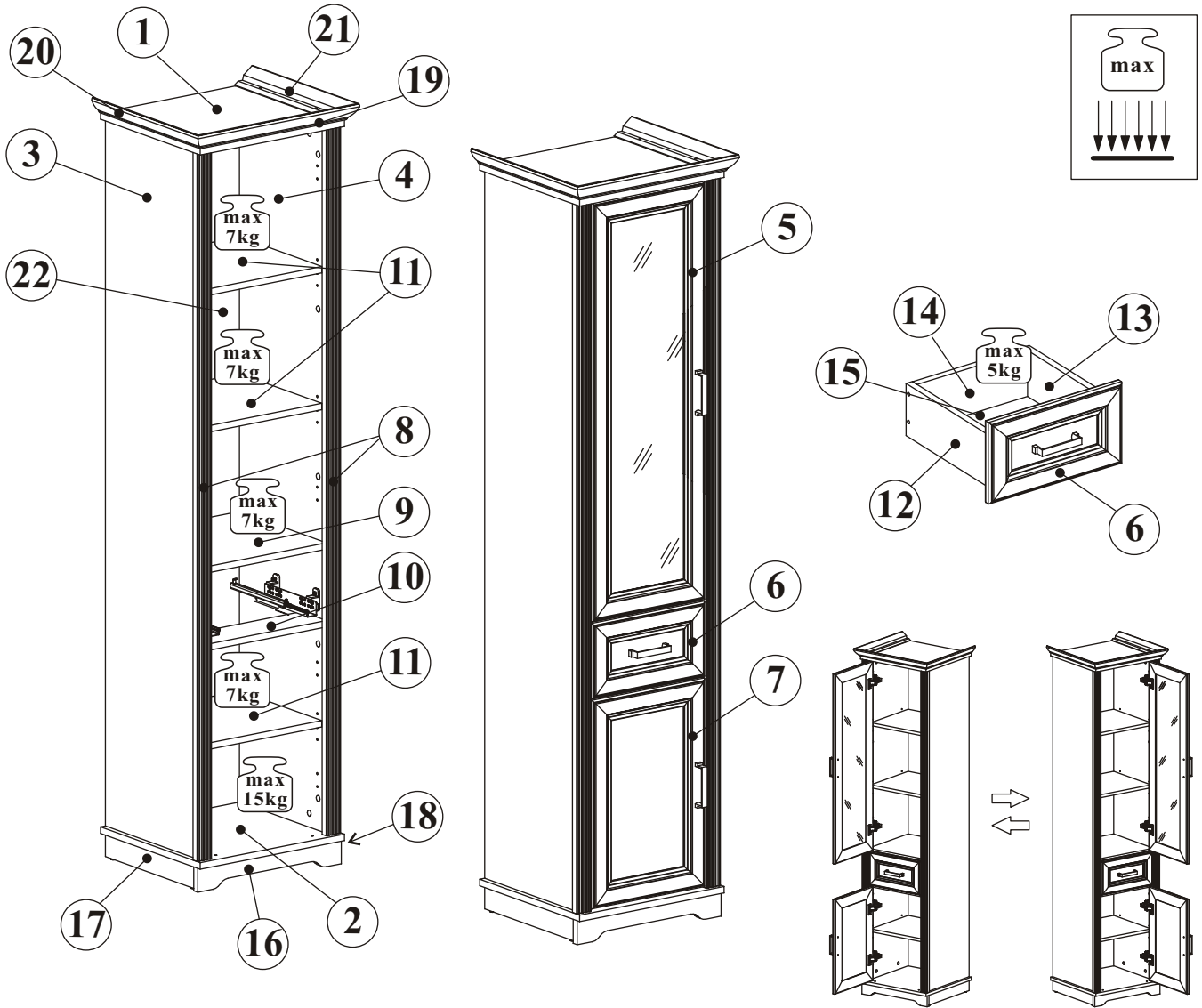
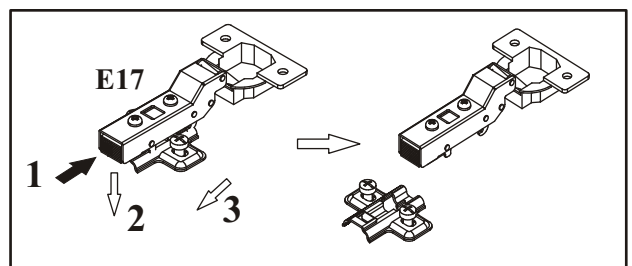
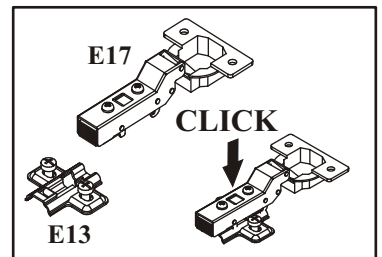
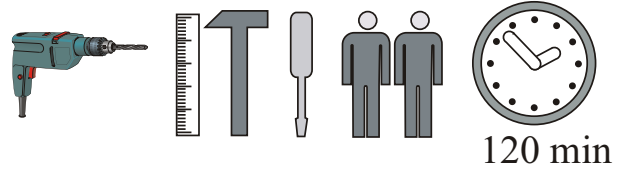
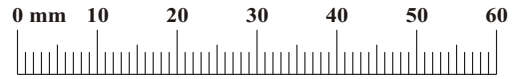



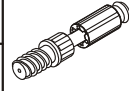


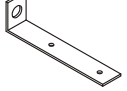
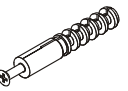
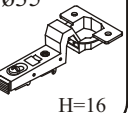
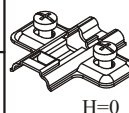

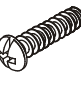
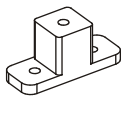
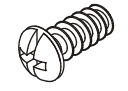
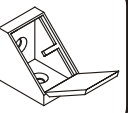
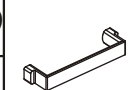
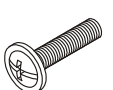
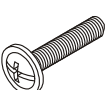

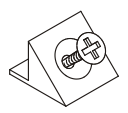

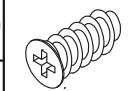
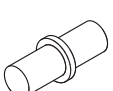
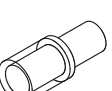

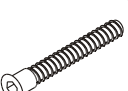
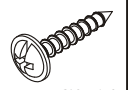

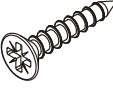
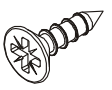

# JASMIN 71-877-\_\_6

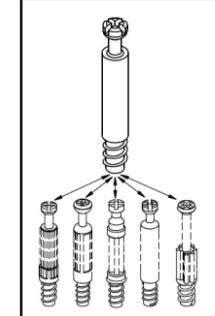
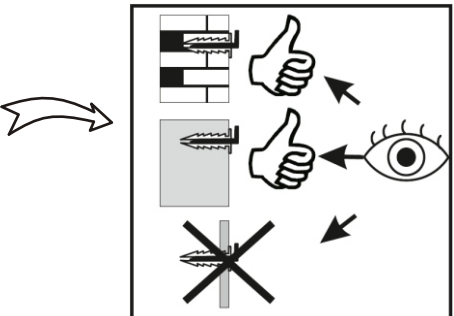
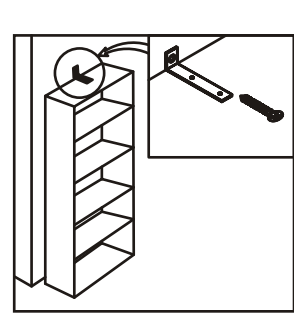
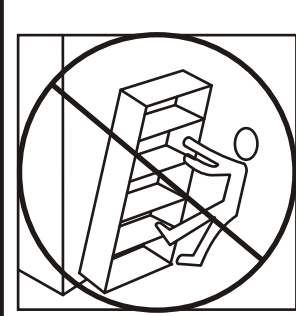
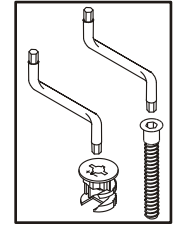
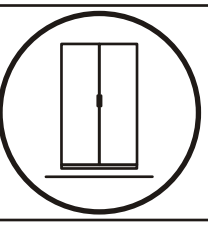
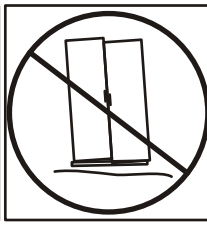
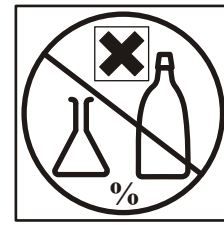
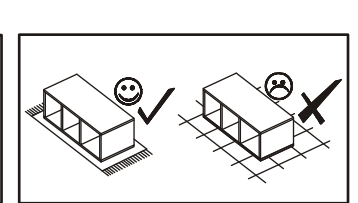
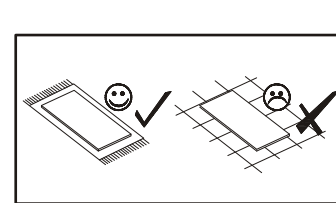
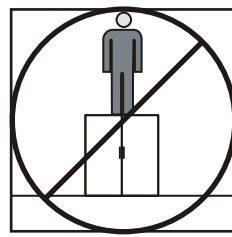
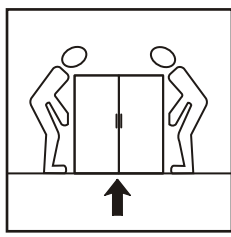
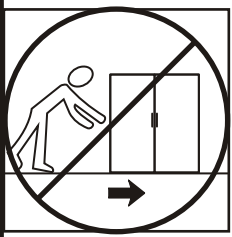
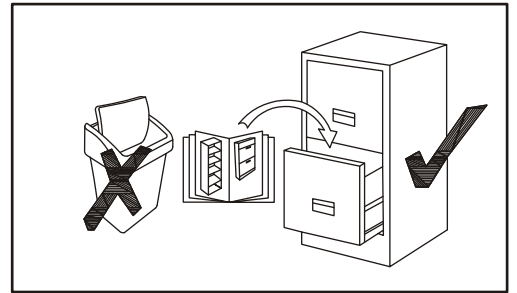
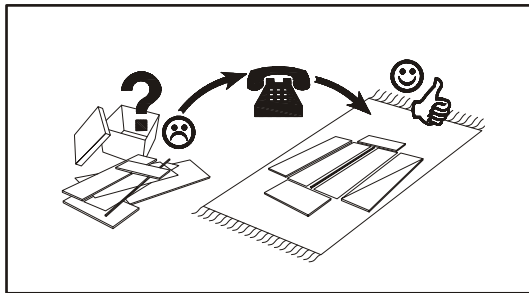
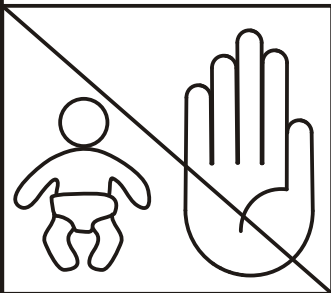


NO	Dim.			Col-No	Qty
1	430	400	16	1	1
2	430	400	16	1	1
3	1758	370	16	2	1
4	1758	370	16	2	1
5	1038	336	22	2	1
6	336	187	22	2	1
7	517	336	22	2	1
8	1758	43	19	2	2
9	369	350	16	1	1
10	369	100	16	1	1
11	369	330	16	1	3
12	300	120	16	1	1
13	300	120	16	1	1
14	279	106	16	1	1
15	304	291	3	1	1
16	428	60	16	1	1
17	373	60	16	1	1
18	373	60	16	1	1
19	483	67	22	1	1
20	426	67	22	1	1
21	426	67	22	1	1
22	1770	381	3	2	1

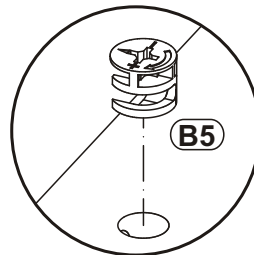
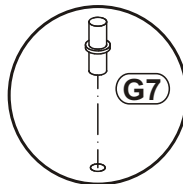
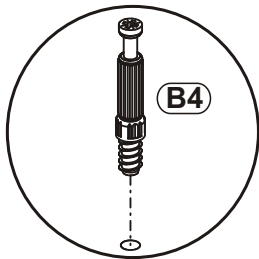
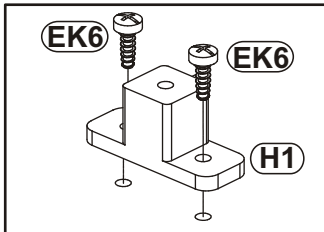
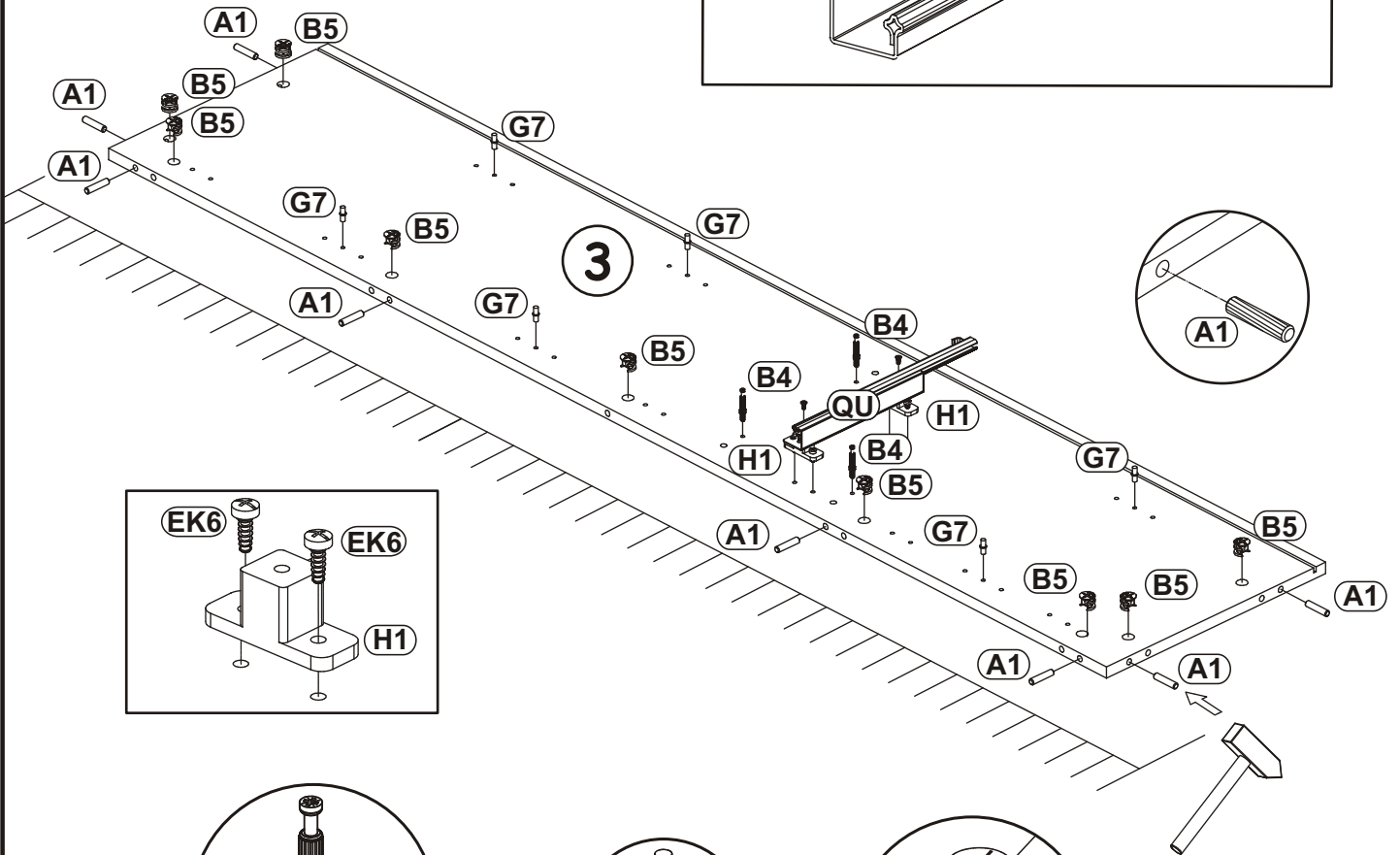
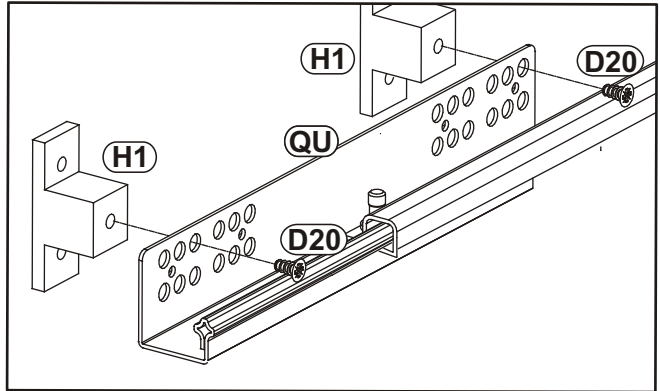
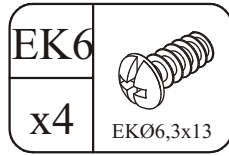
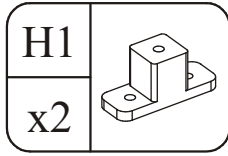
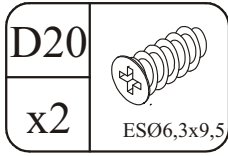
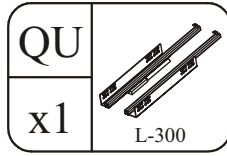
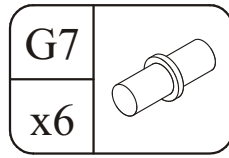
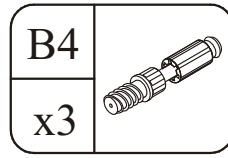
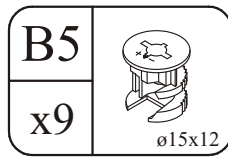
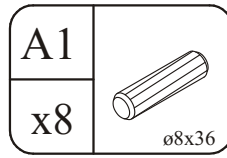
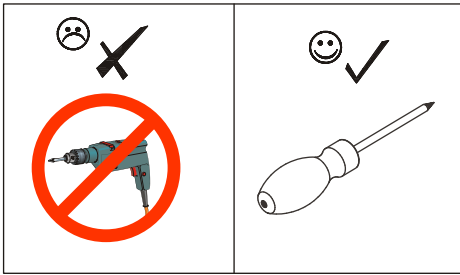




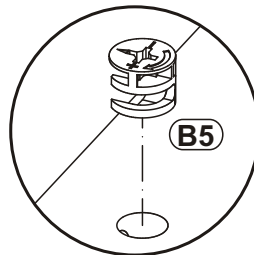
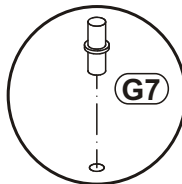
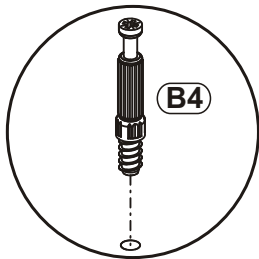
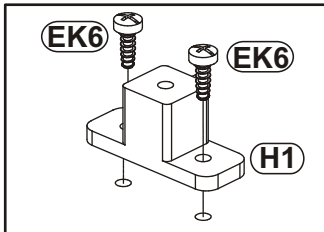
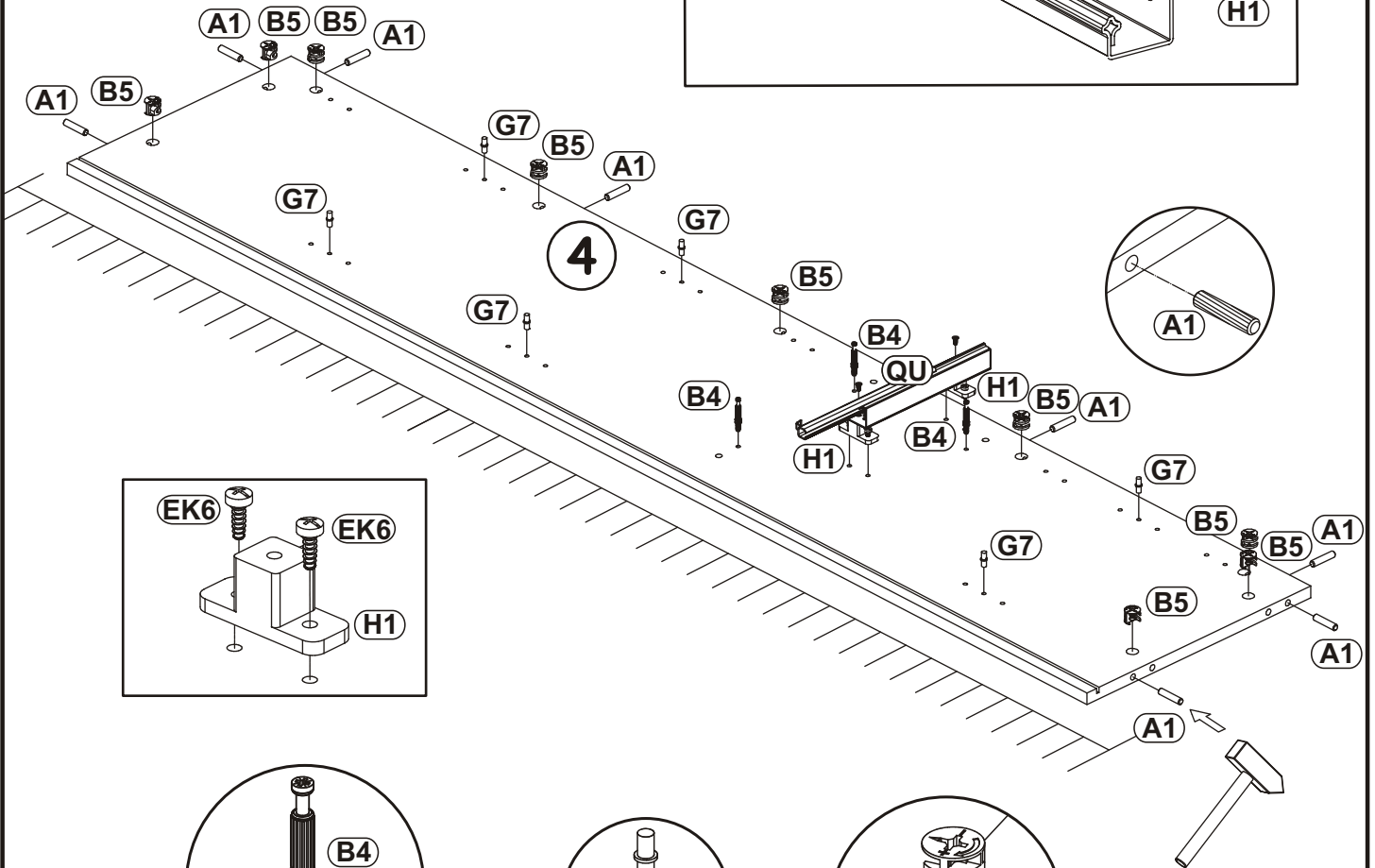
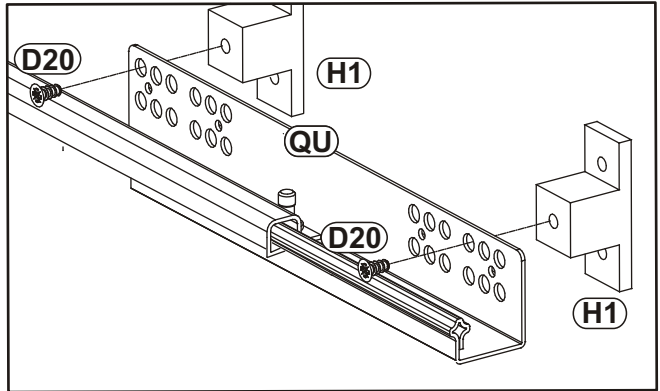
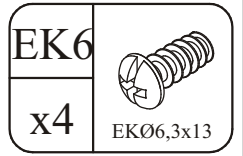
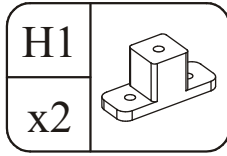
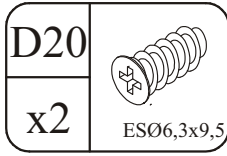
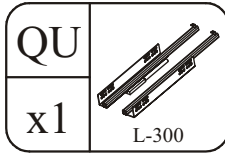
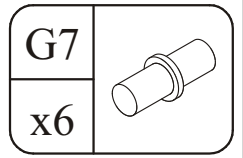
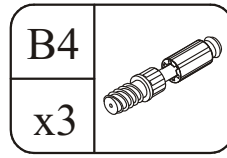
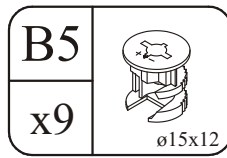
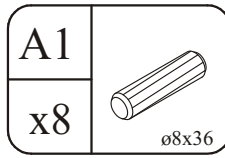
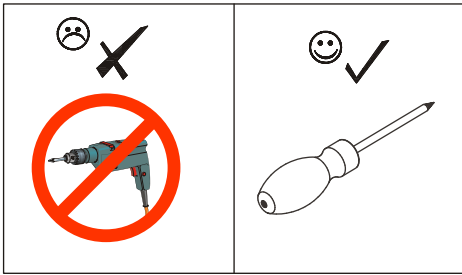
A1 x30  ø8x36	B4 x26 	B5 x26  ø15x12	G5 x26 	L1 x1 	KR1 x1 
E17 x4  ø35 H=16	E13 x4  H=0	E0 x4  H=11	EK8 x8  EKØ6,3x24	H1 x4 	EK6 x8  EKØ6,3x13
KM1 x2 	C19 x3 	D34 x2  M4x16	D4 x4  M4x30	I2 x4 	S1 x13 
QU x1  L-300	D20 x4  ESØ6,3x9,5	G7 x12 	G20 x2 	G4 x4 	B11 x8  Ø7x50
UP13 x5  UPØ3x16	Z2 x10  Ø5	D9 x6  USØ3x20	D10 x14  USØ3,5x13	G2 x1 	




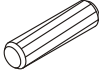
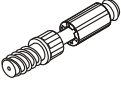
1

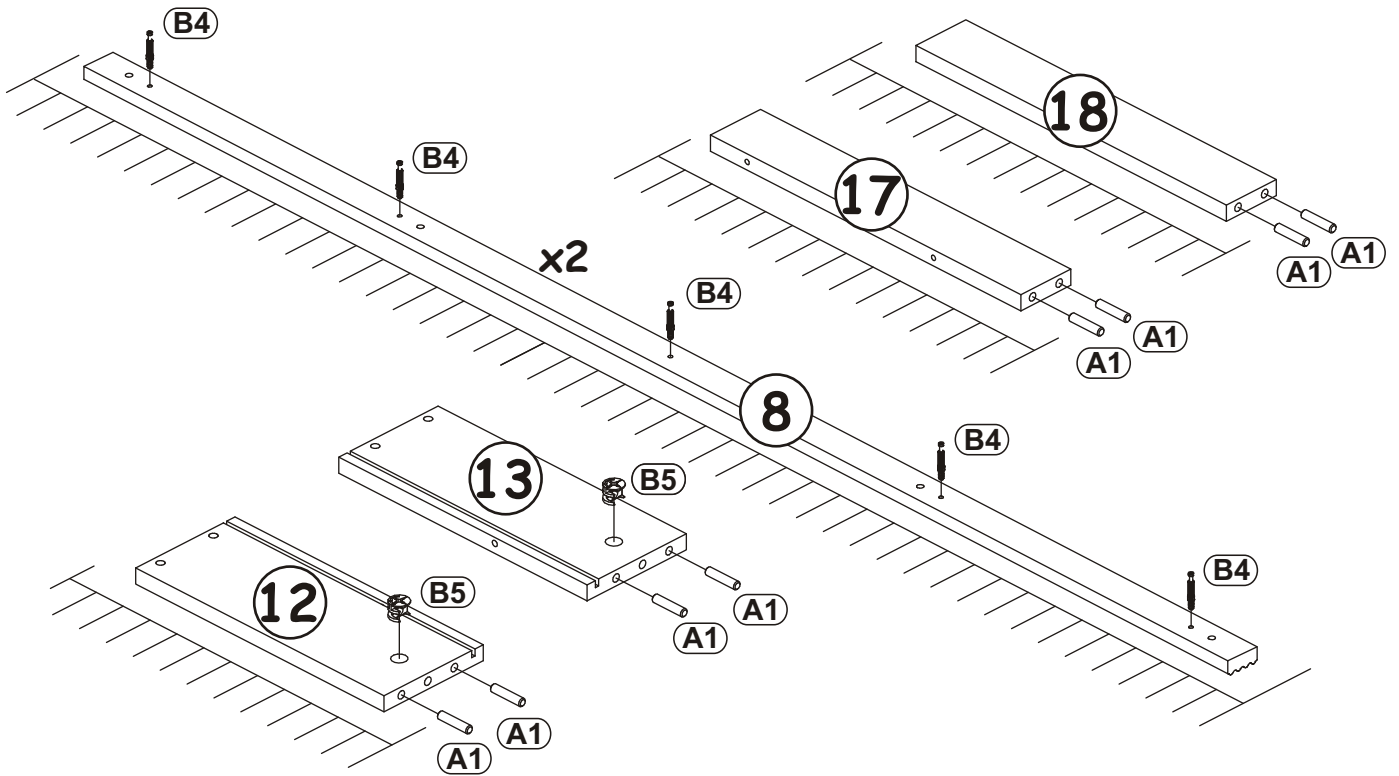


2

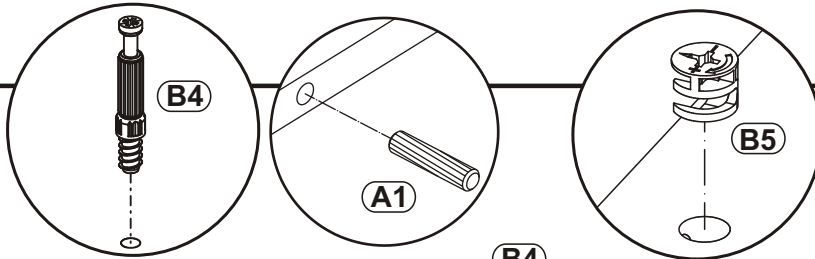


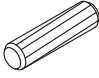
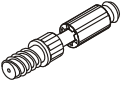
3


B5		A1		B4	
x2	ø15x12	x8	ø8x36	x10	

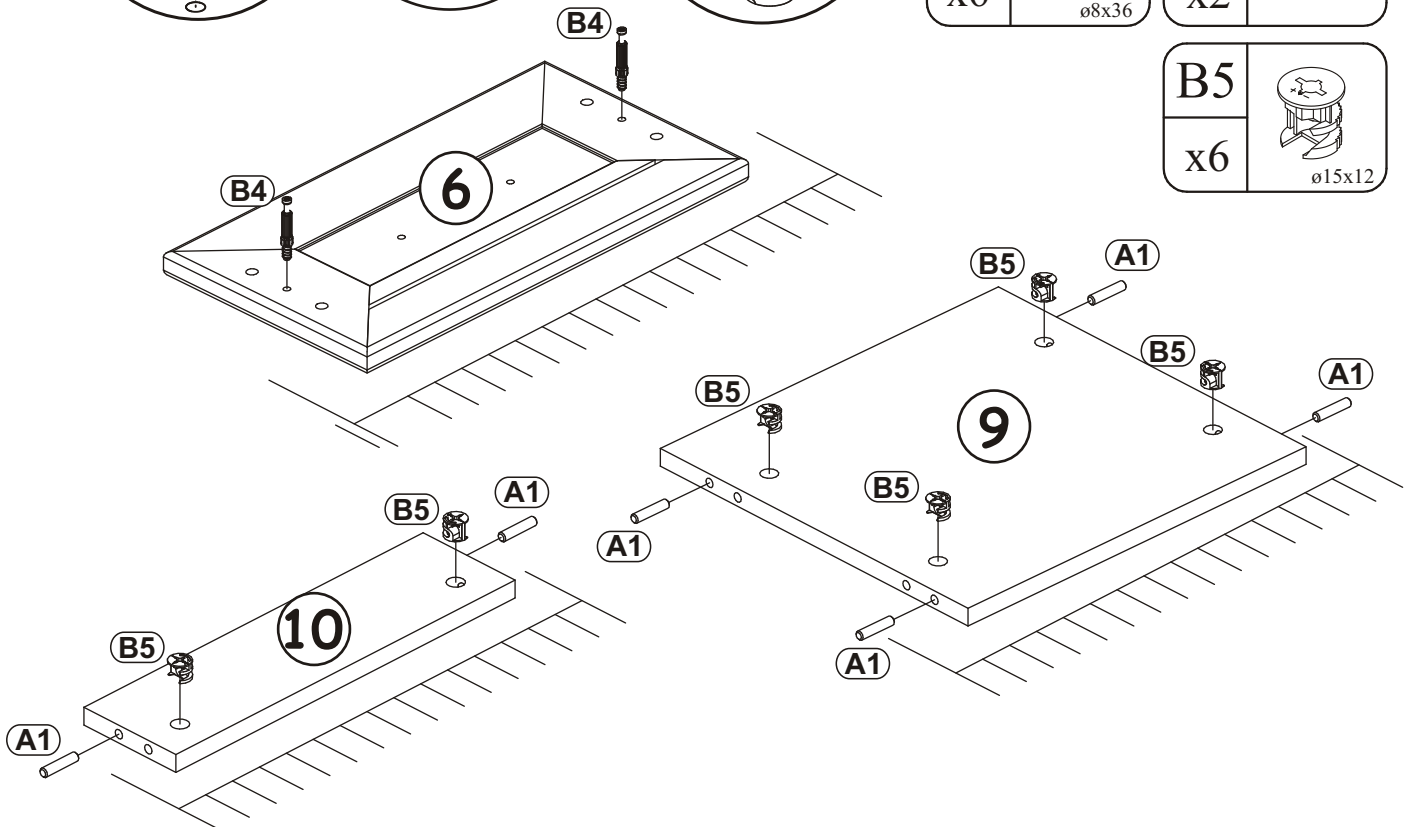


4

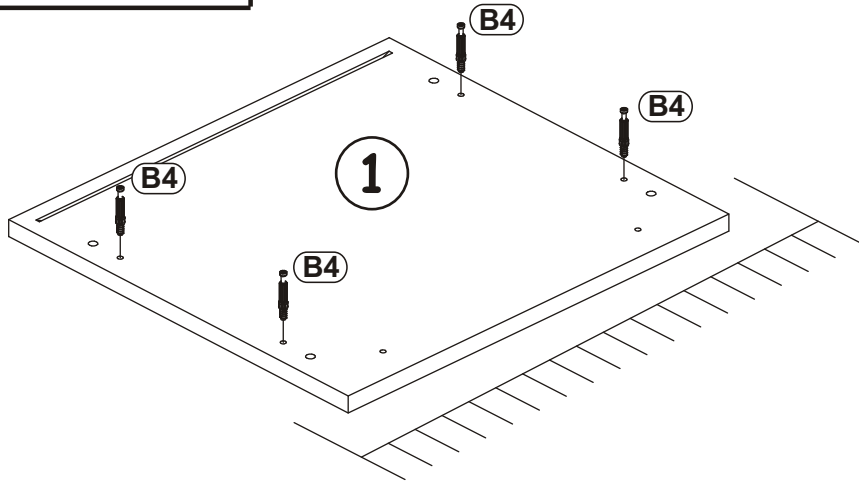


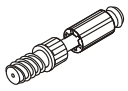
A1		B4	
x6	ø8x36	x2	

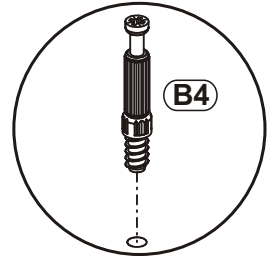
B5	
x6	ø15x12



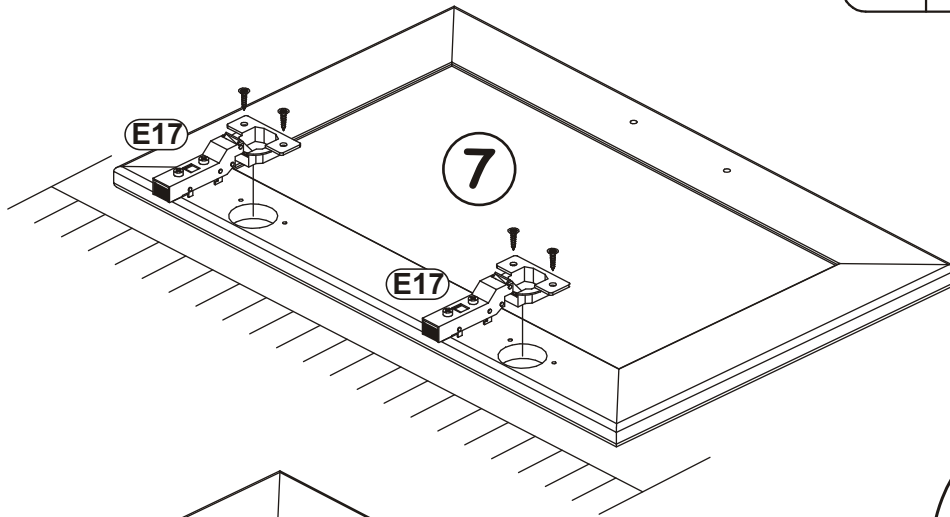
5

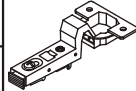


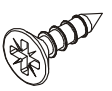
B4	
x4	

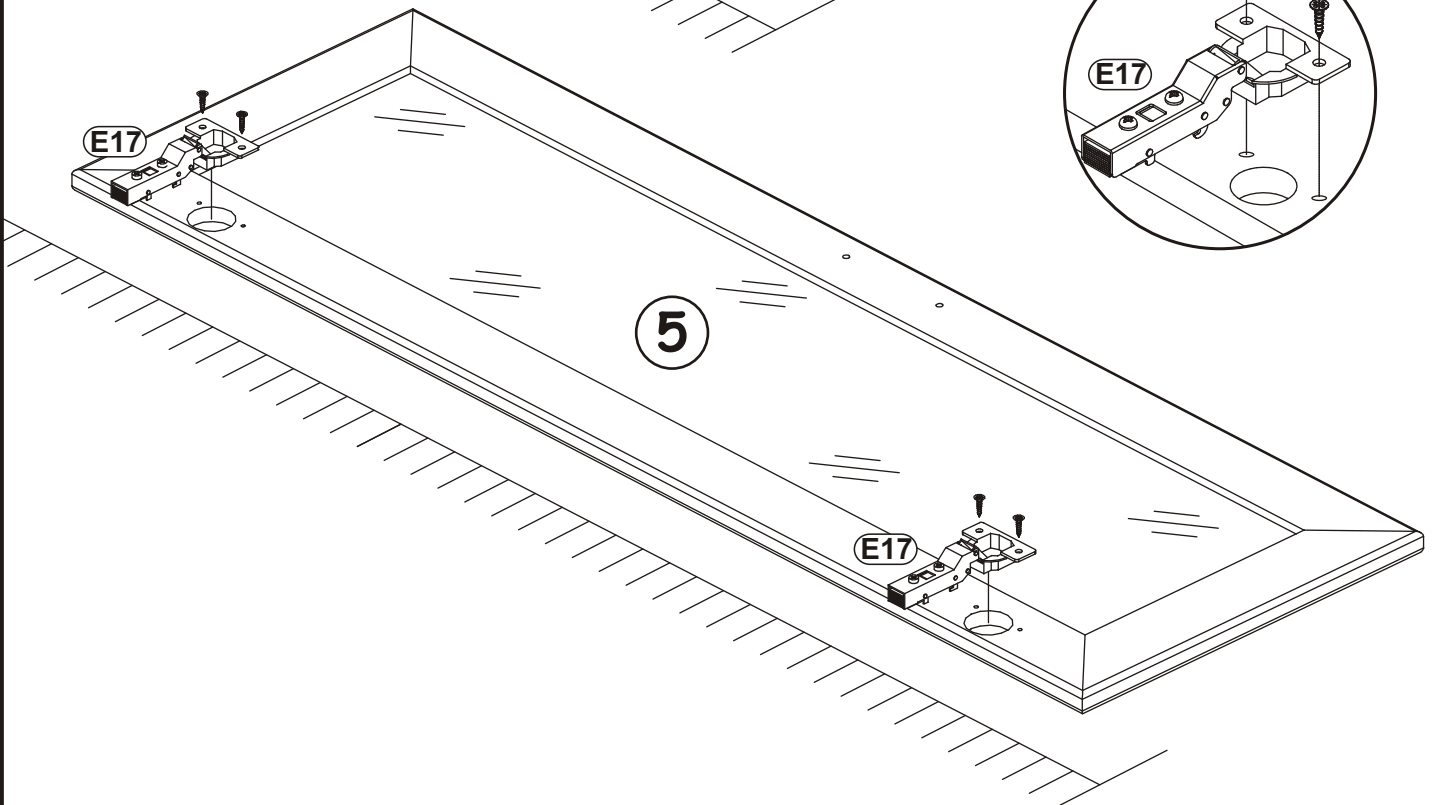
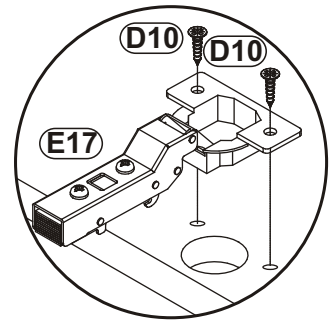


6



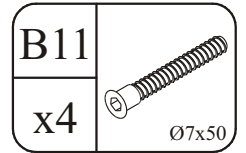
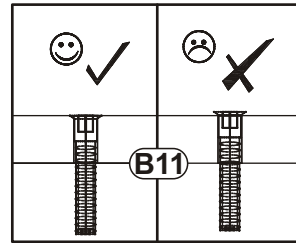
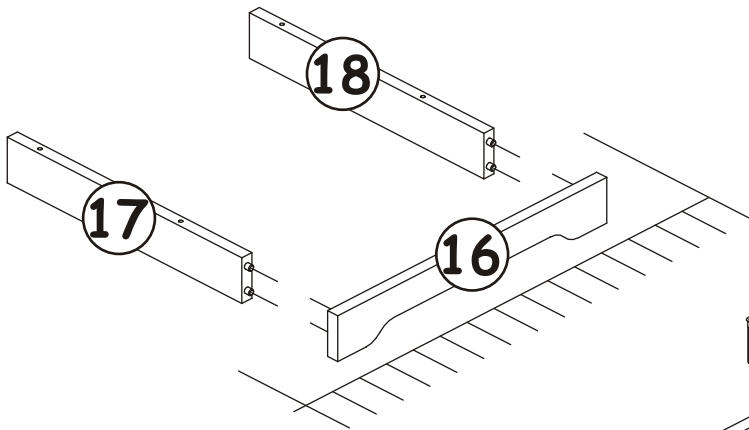
E17	
x4	H=16

D10	
x8	USØ3,5x13

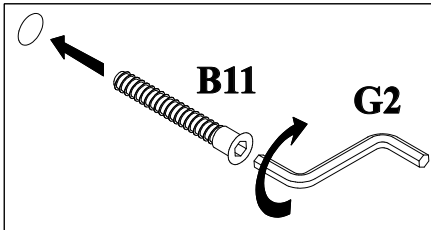
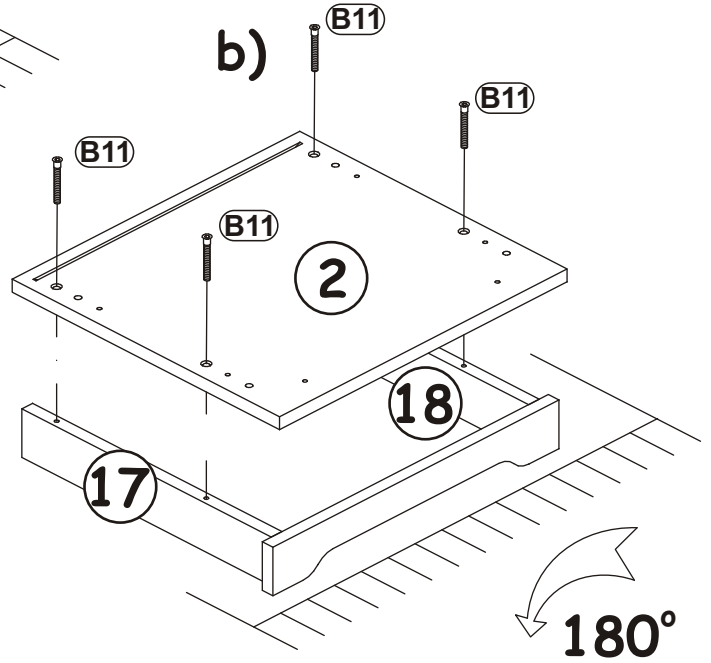


7

a)

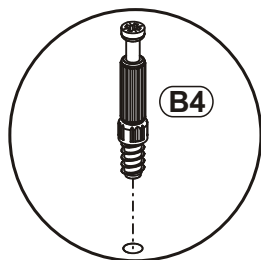
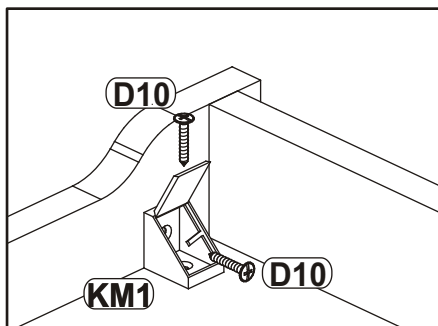
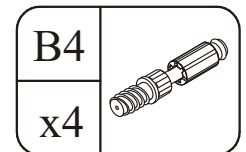
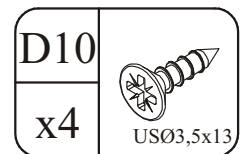
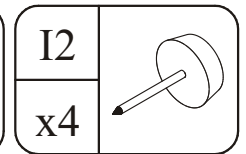
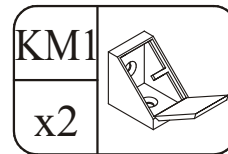
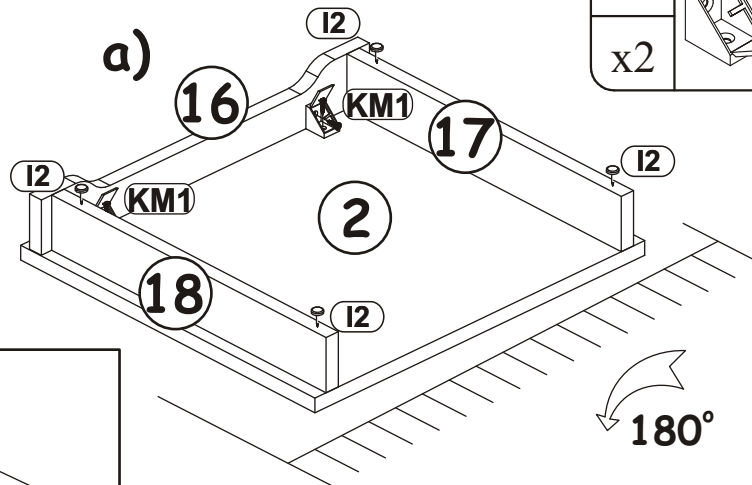
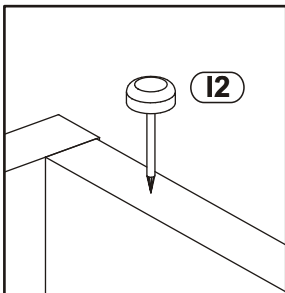


b)

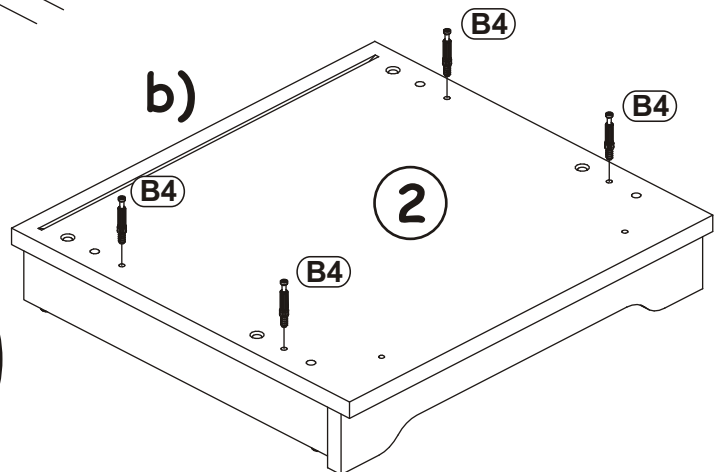


8

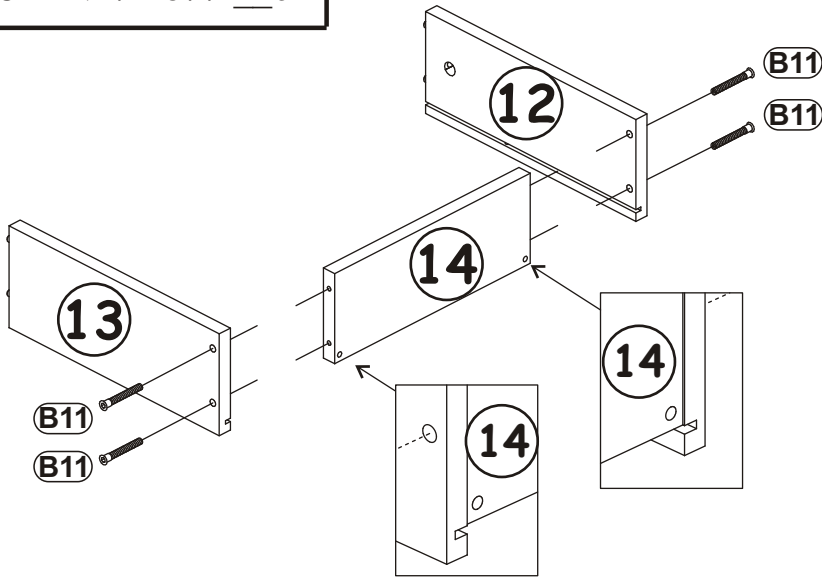
a)



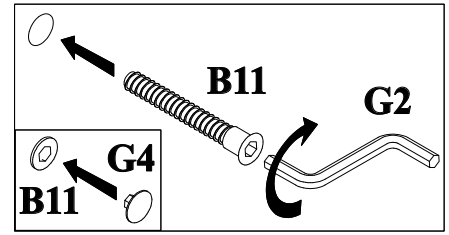
b)



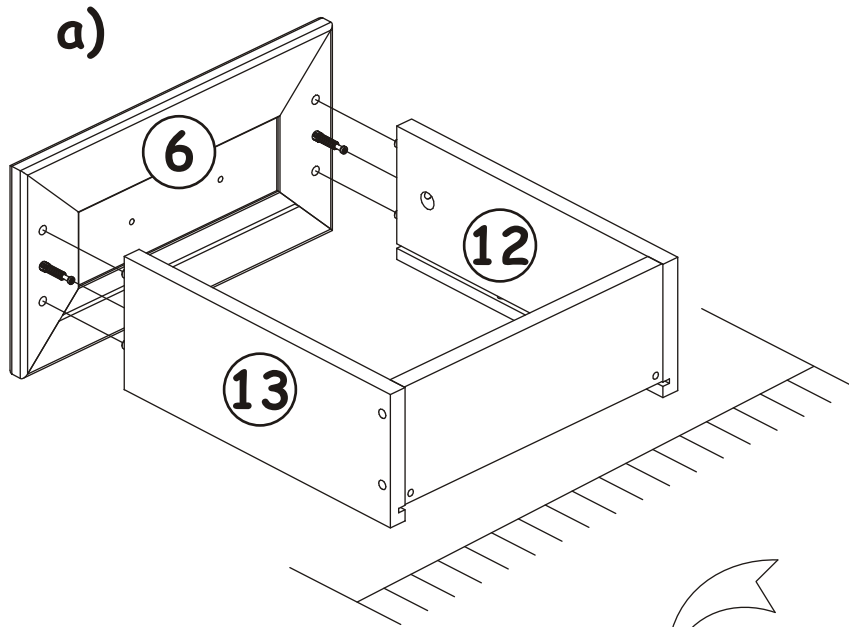
9



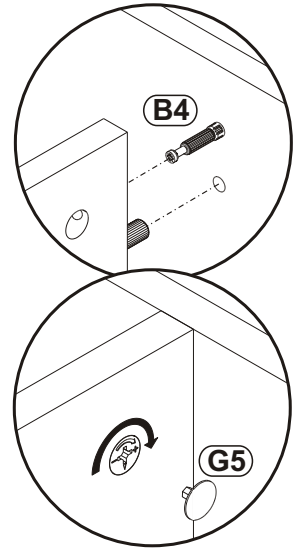
B11		G4	
x4	Ø7x50	x4	



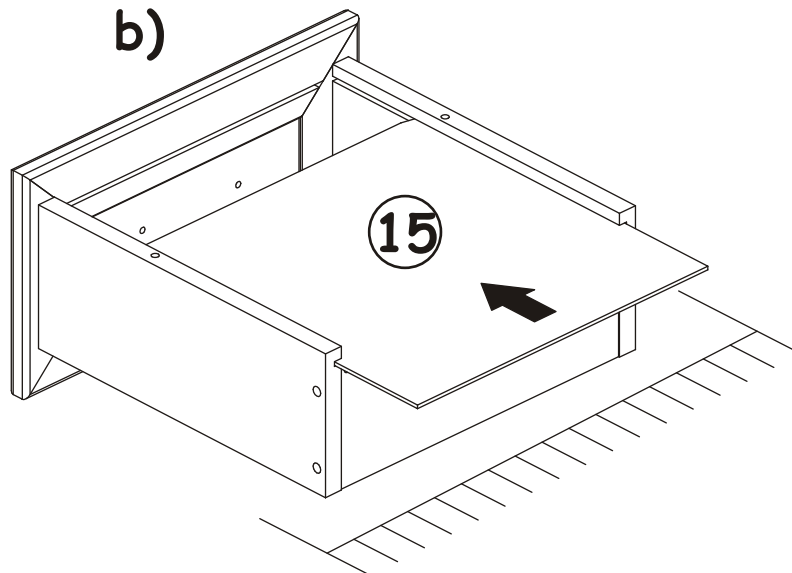
10



G5	
x2	

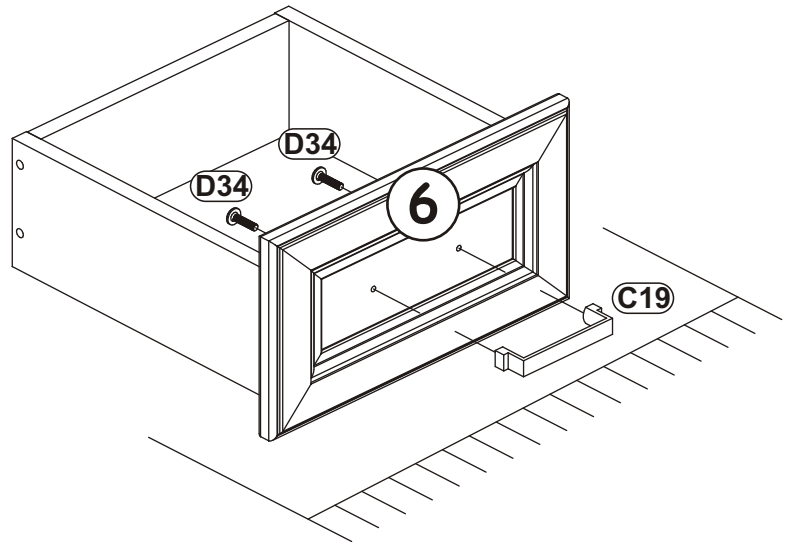
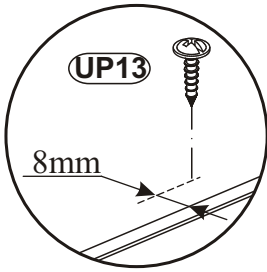
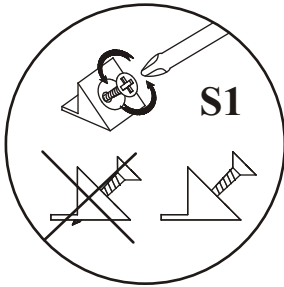
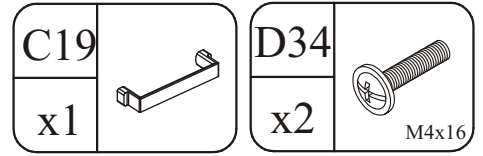
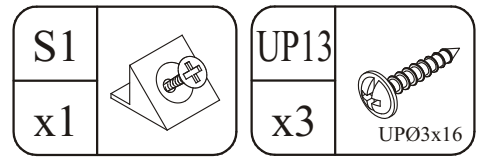
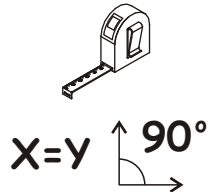
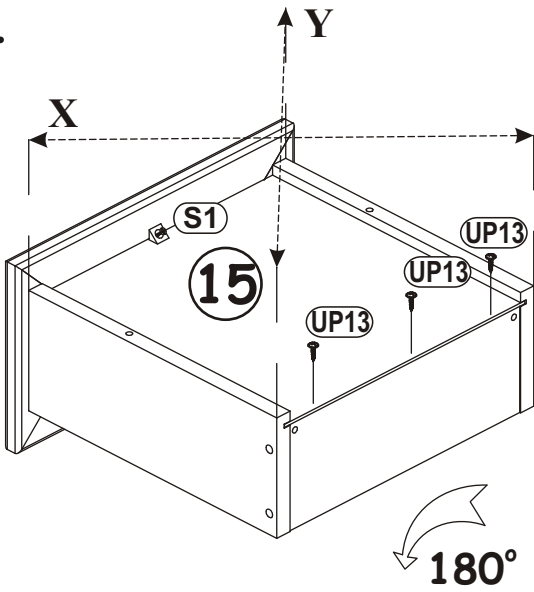


180°

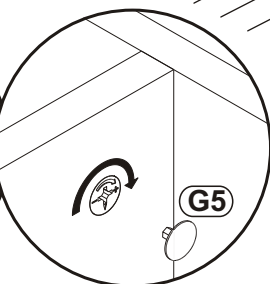
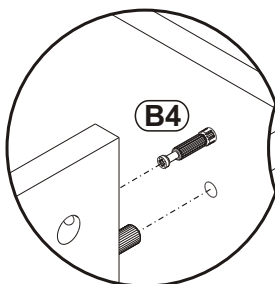
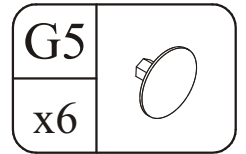
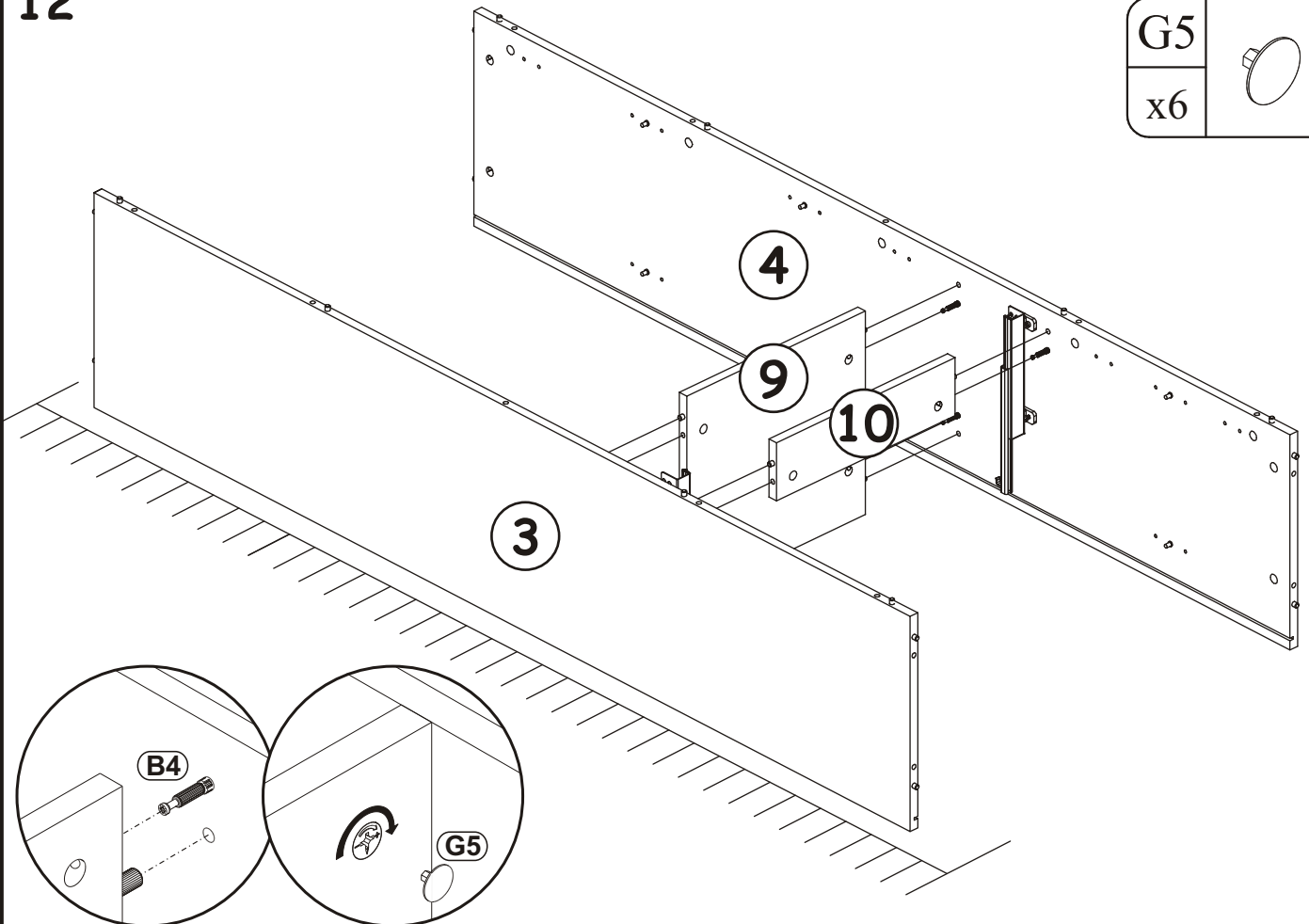




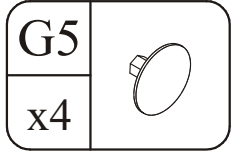
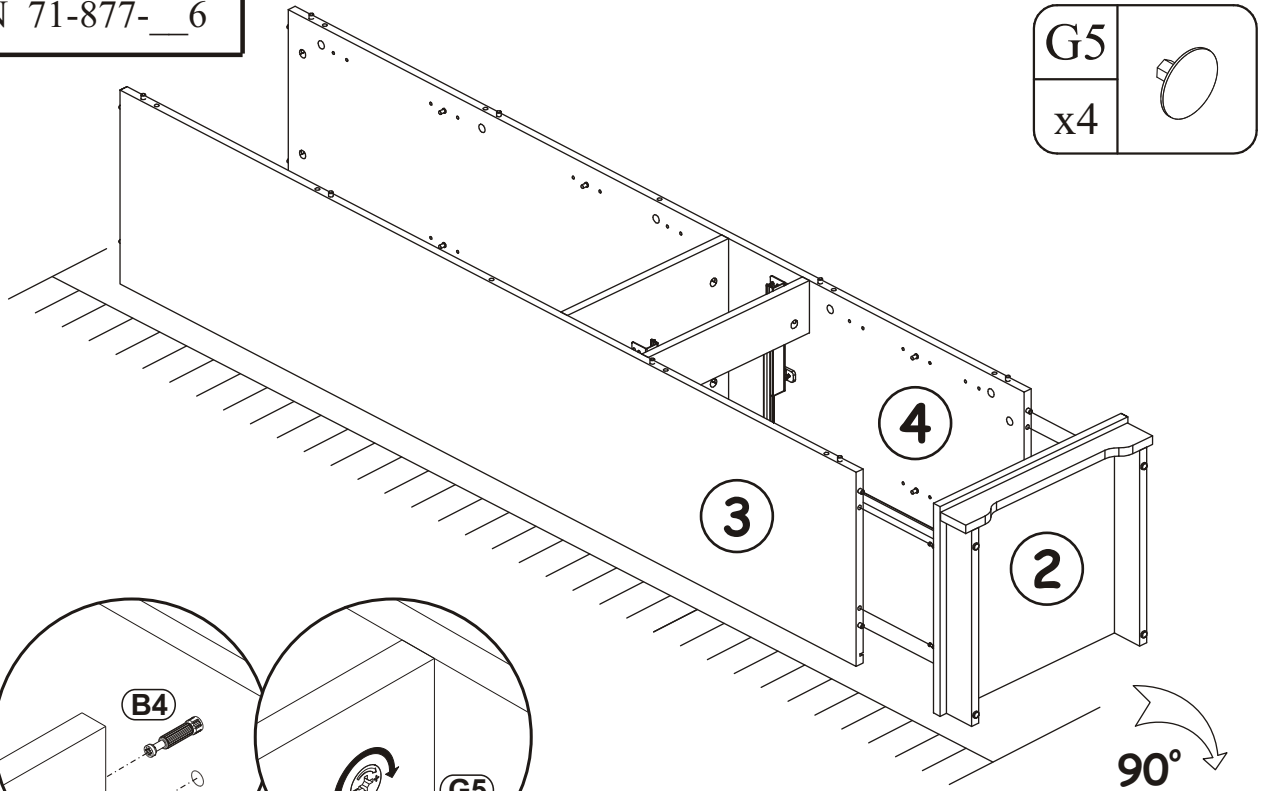
11



12

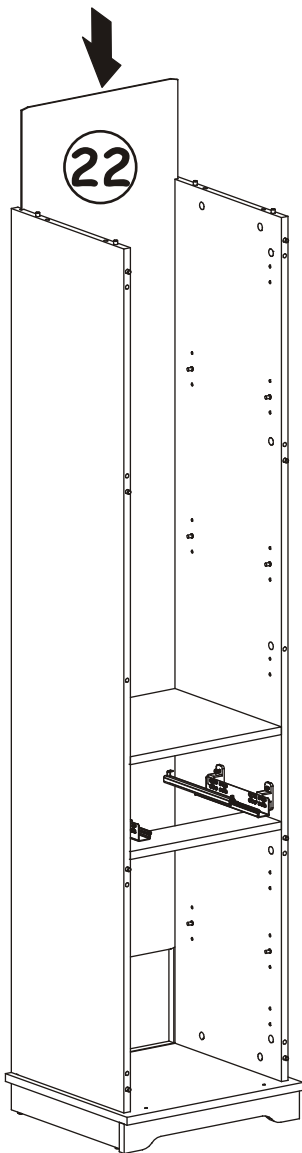


13

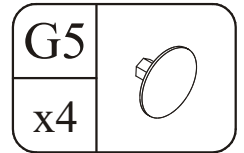
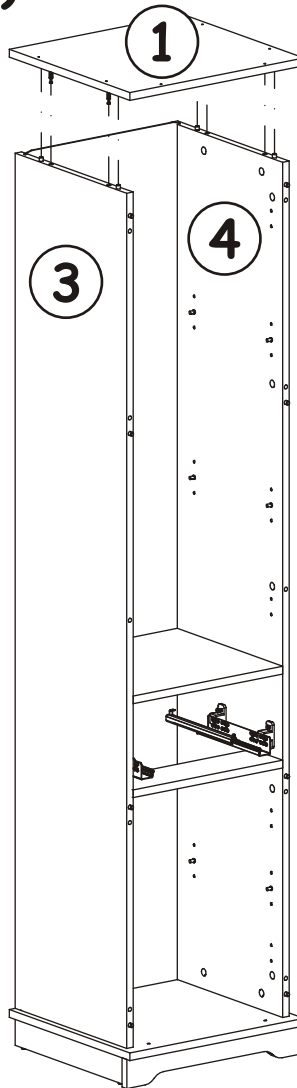


14

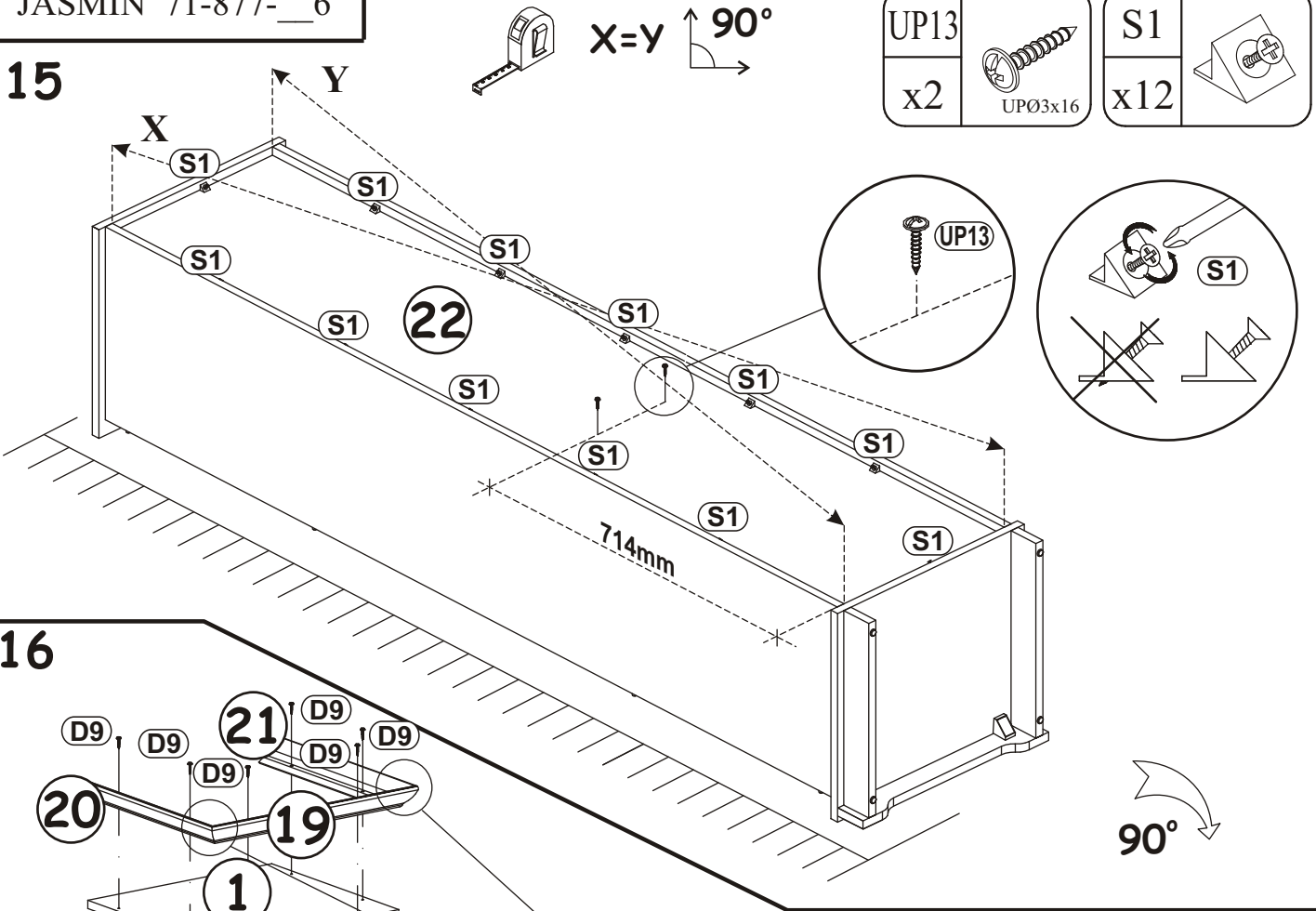
a)



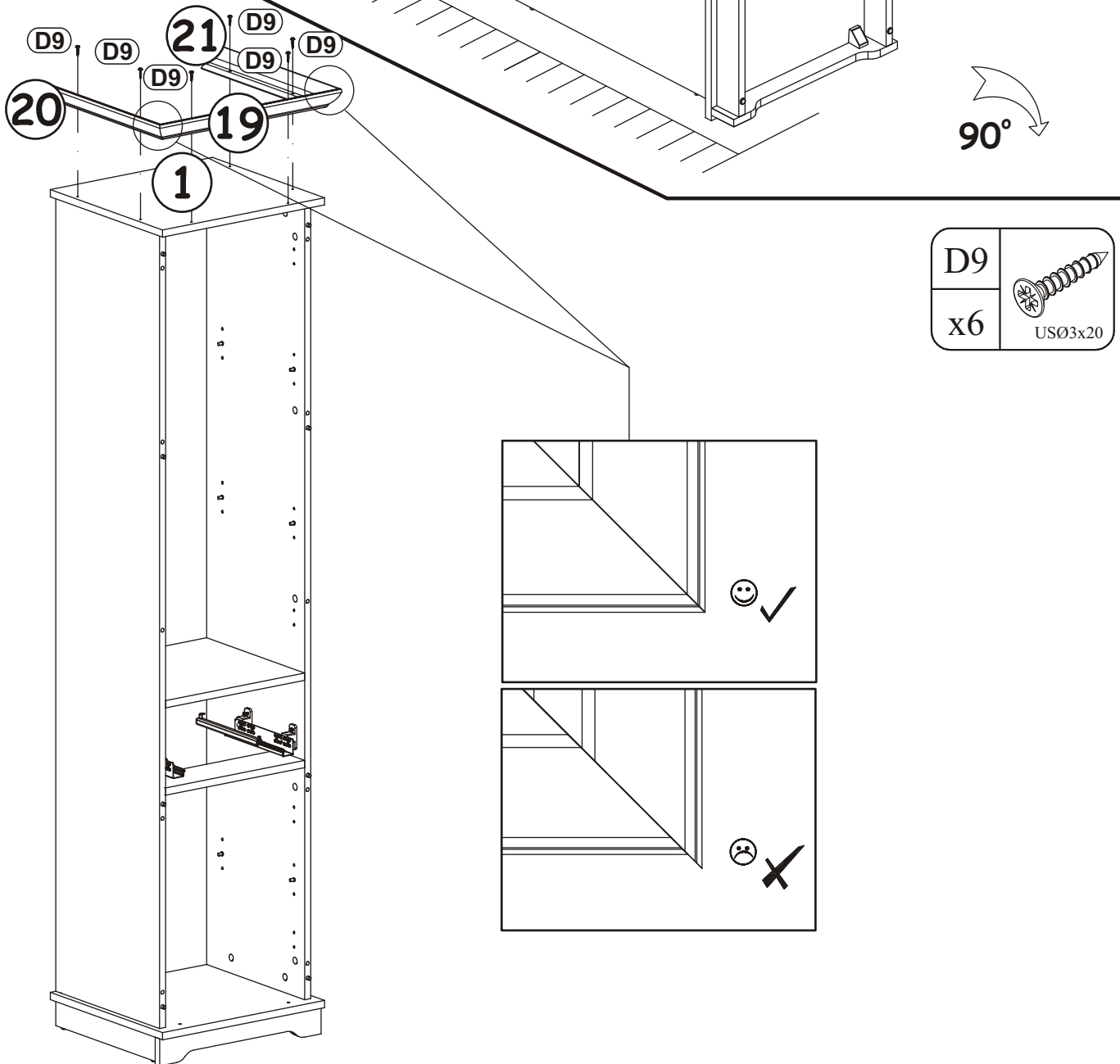
b)



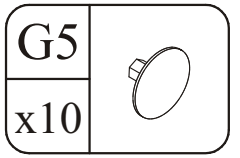
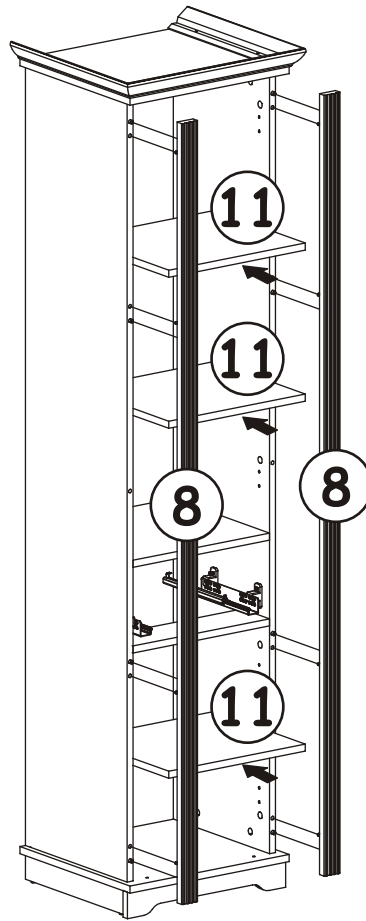
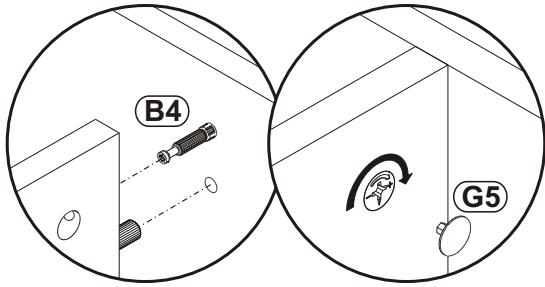
15



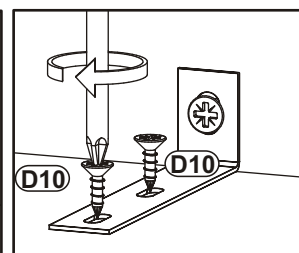
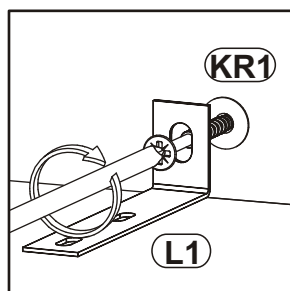
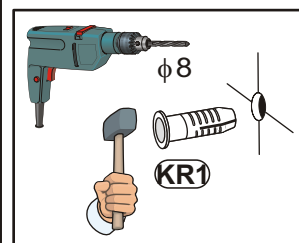
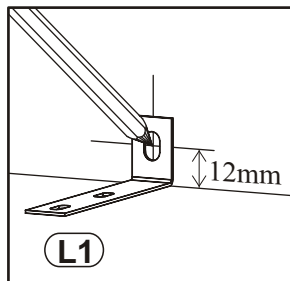
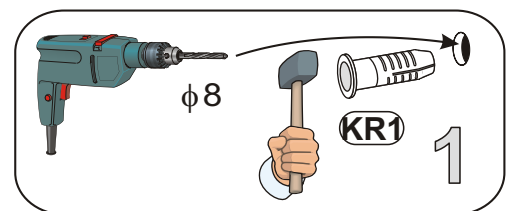
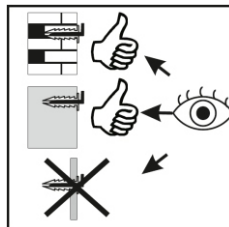
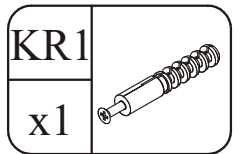
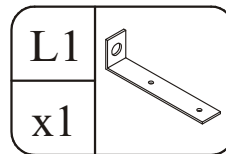
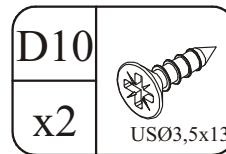
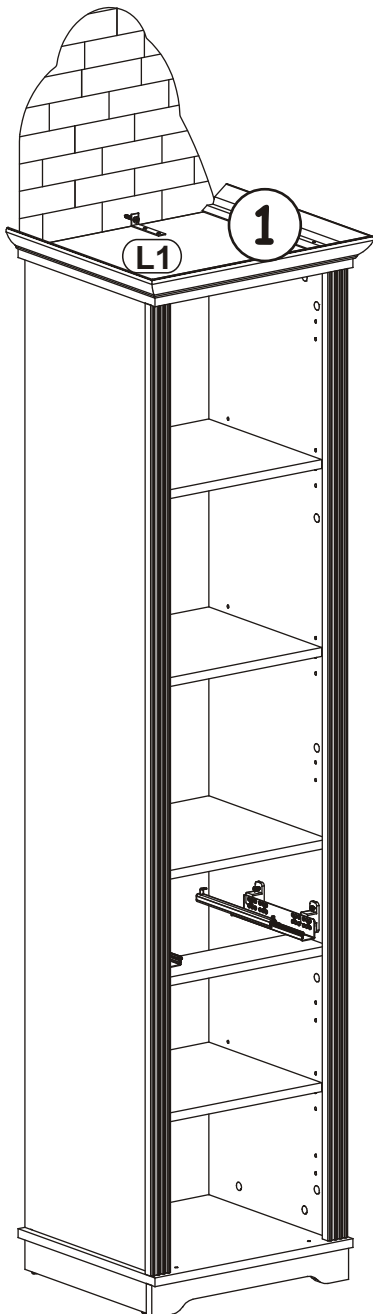
16



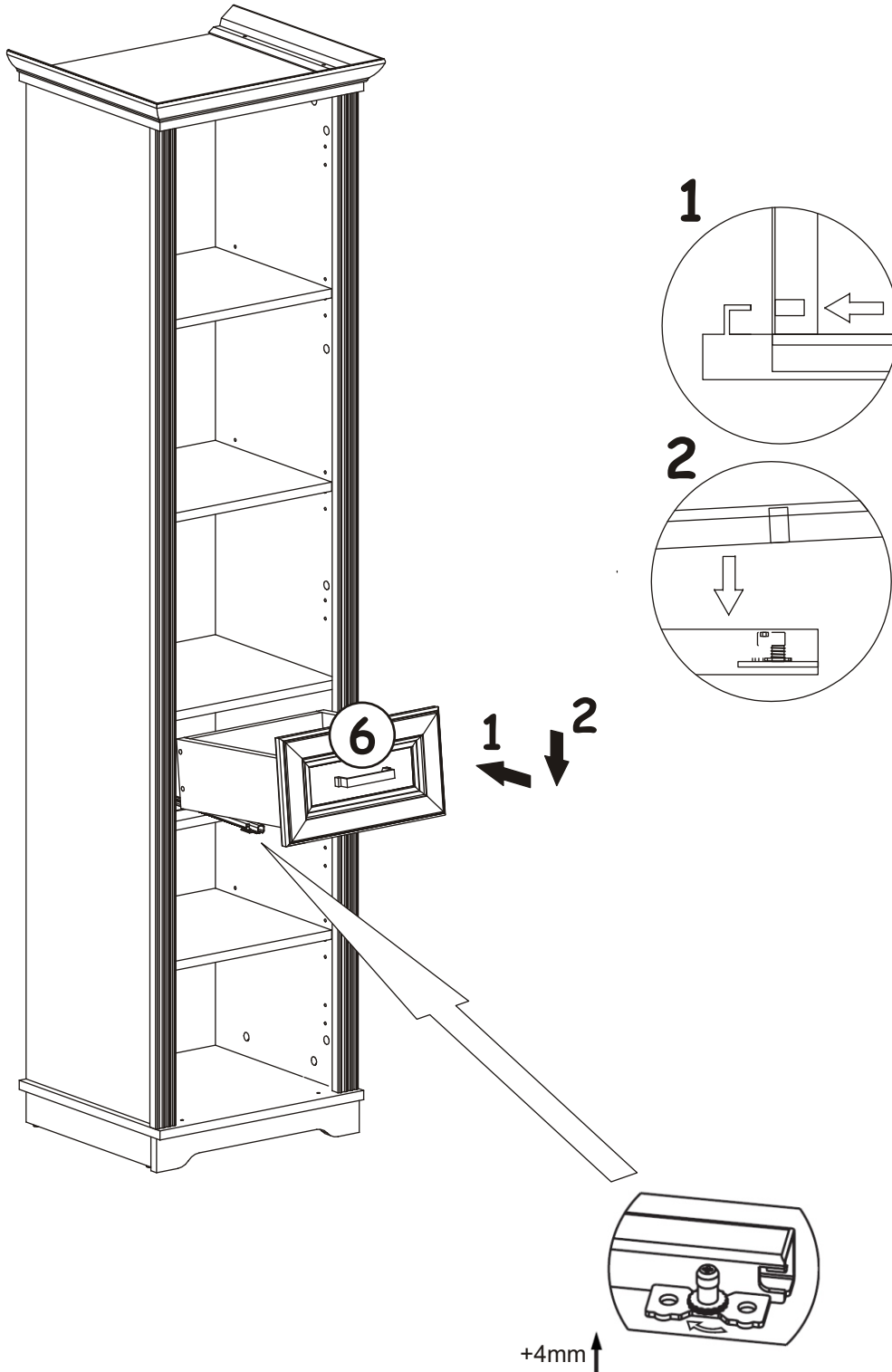
17



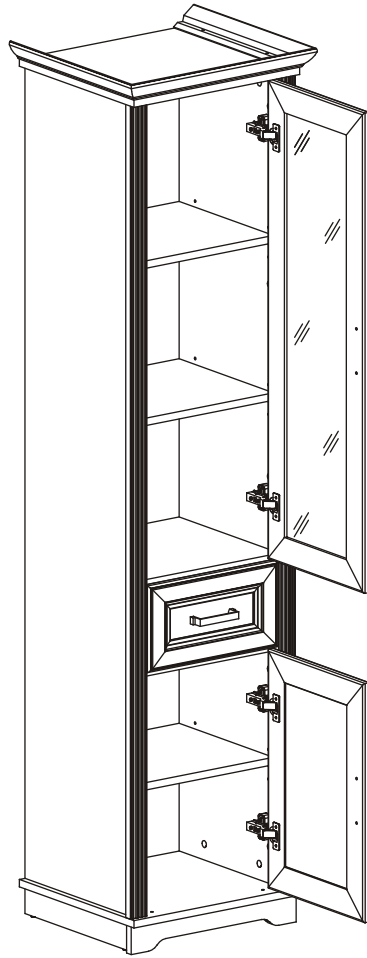
18



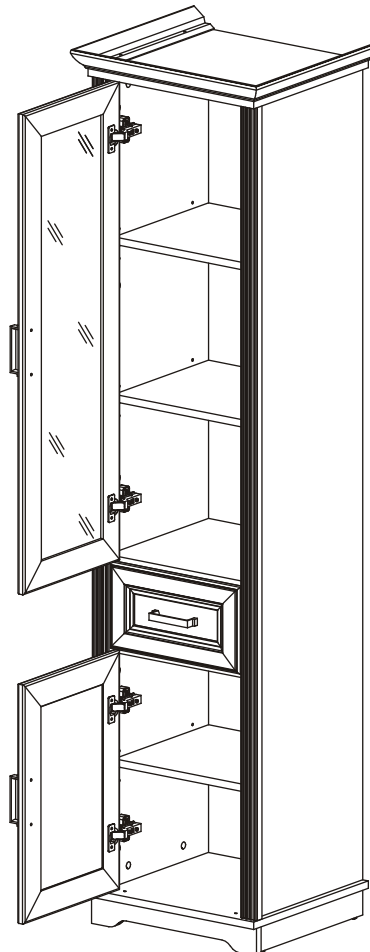
19



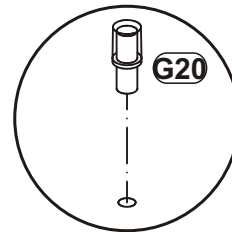
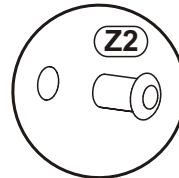
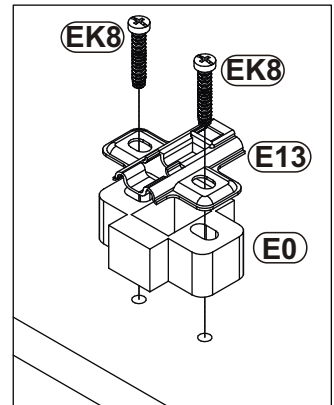
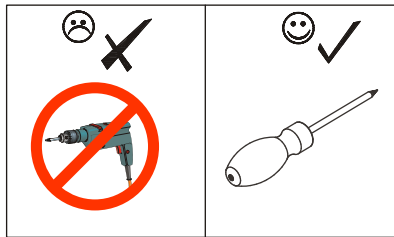
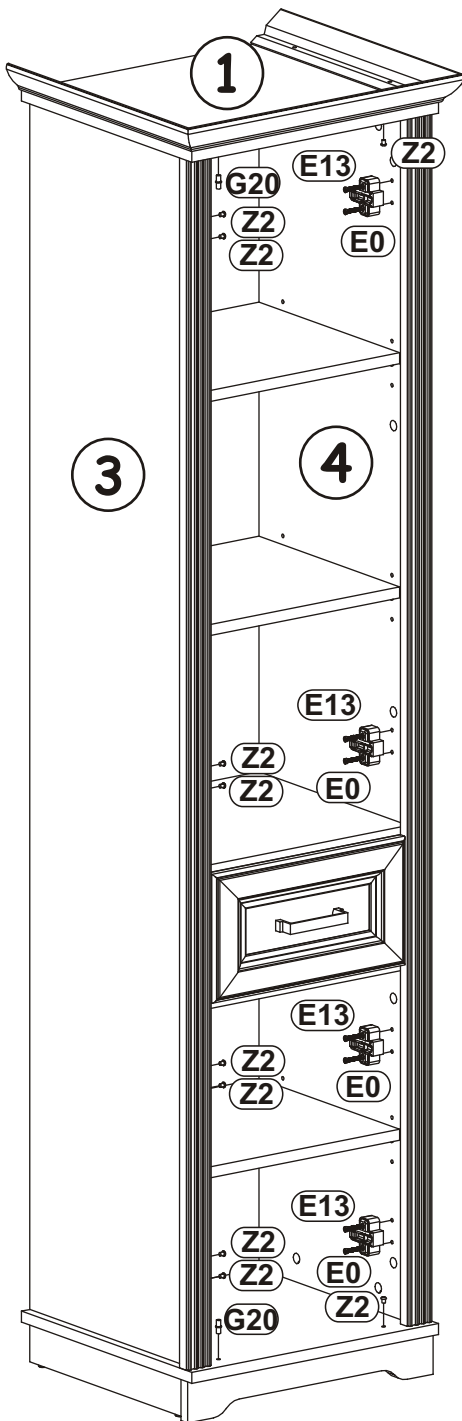
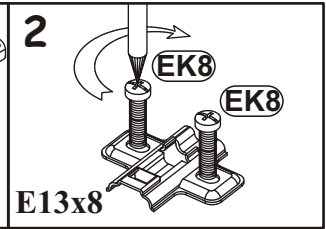
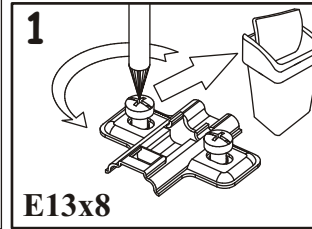
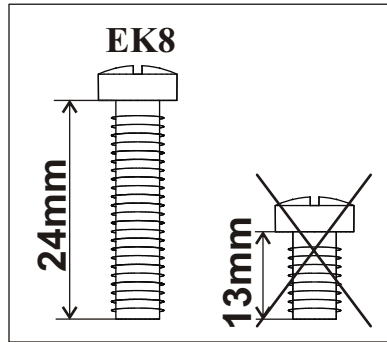
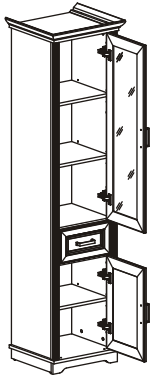
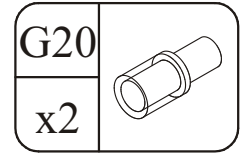
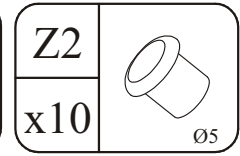
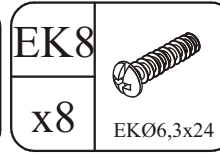
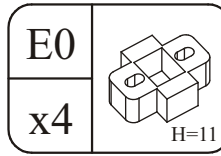
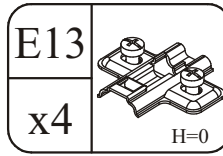
**20-22**



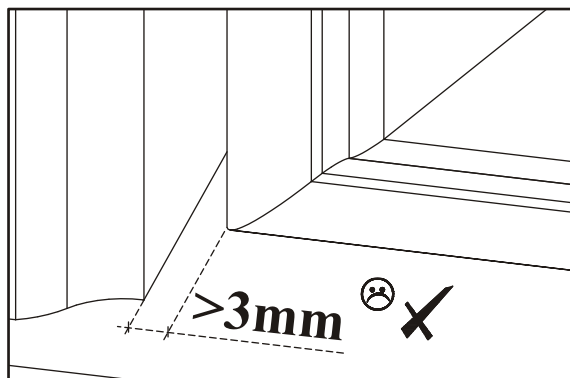
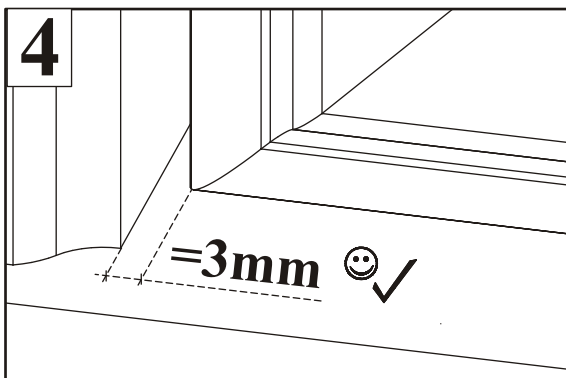
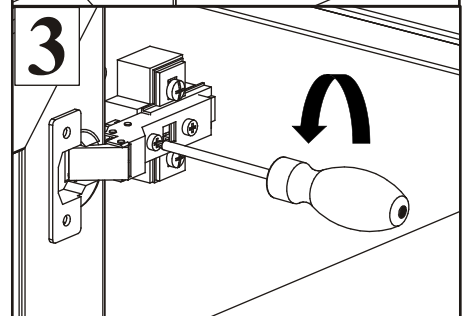
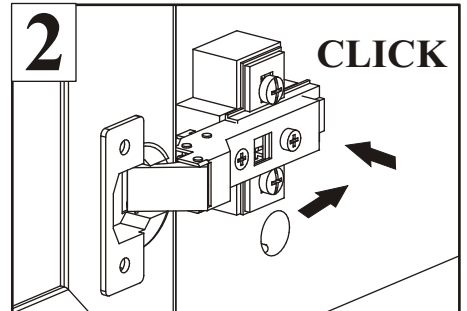
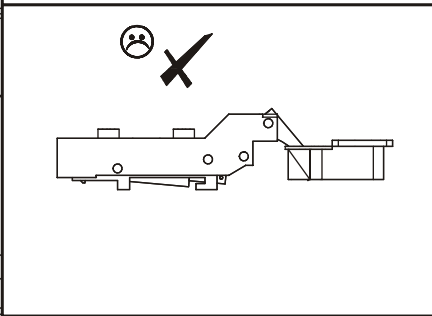
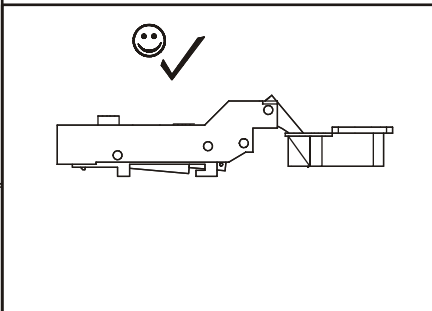
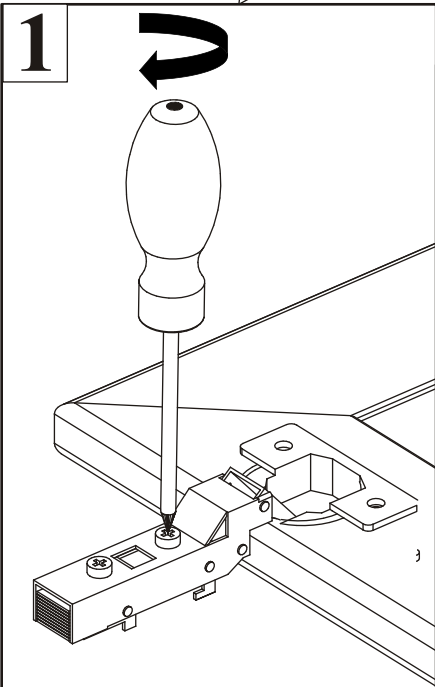
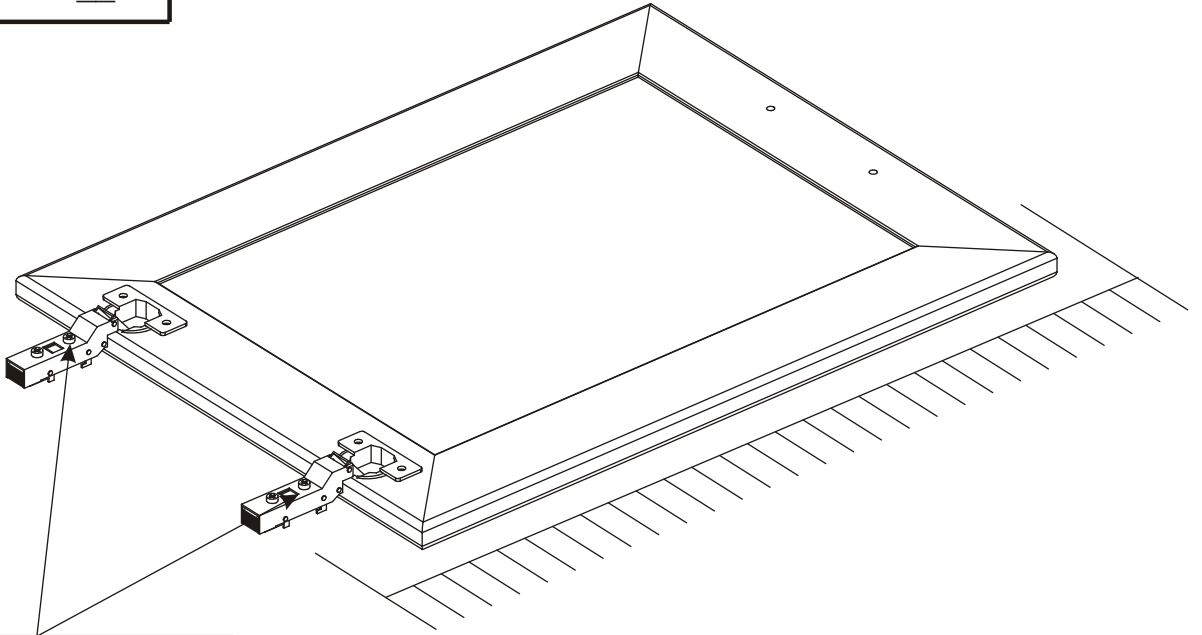
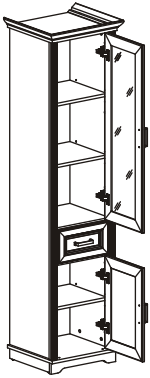
**23-25**



20

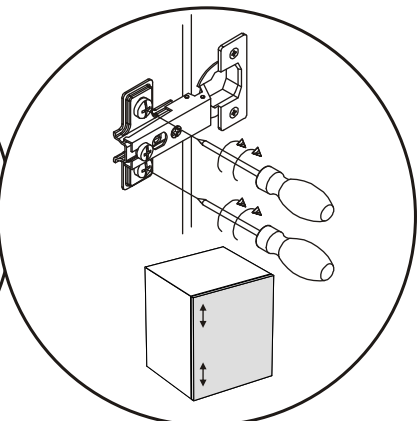
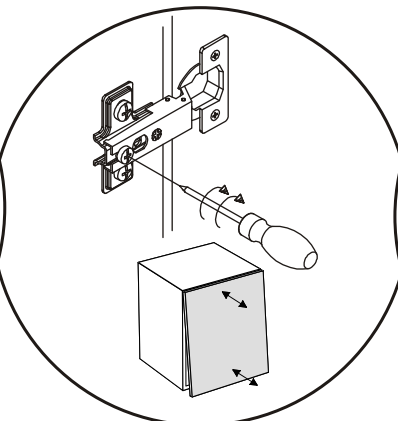
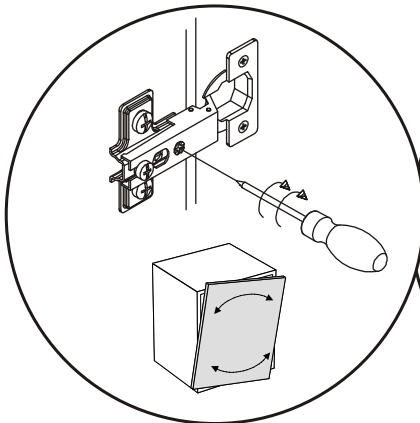
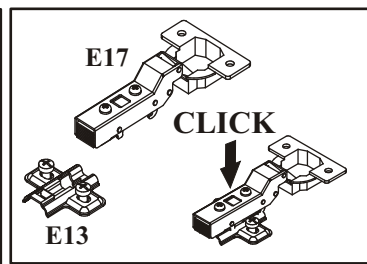
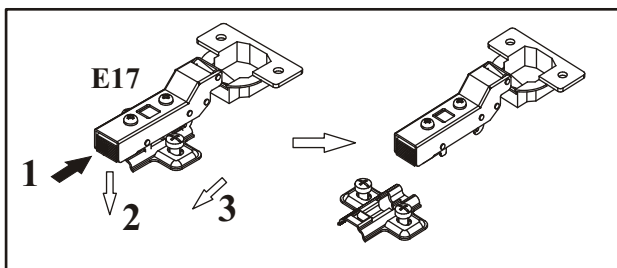
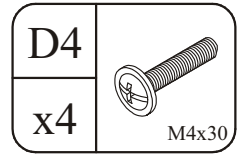
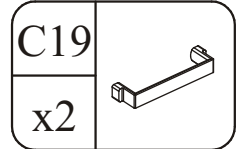
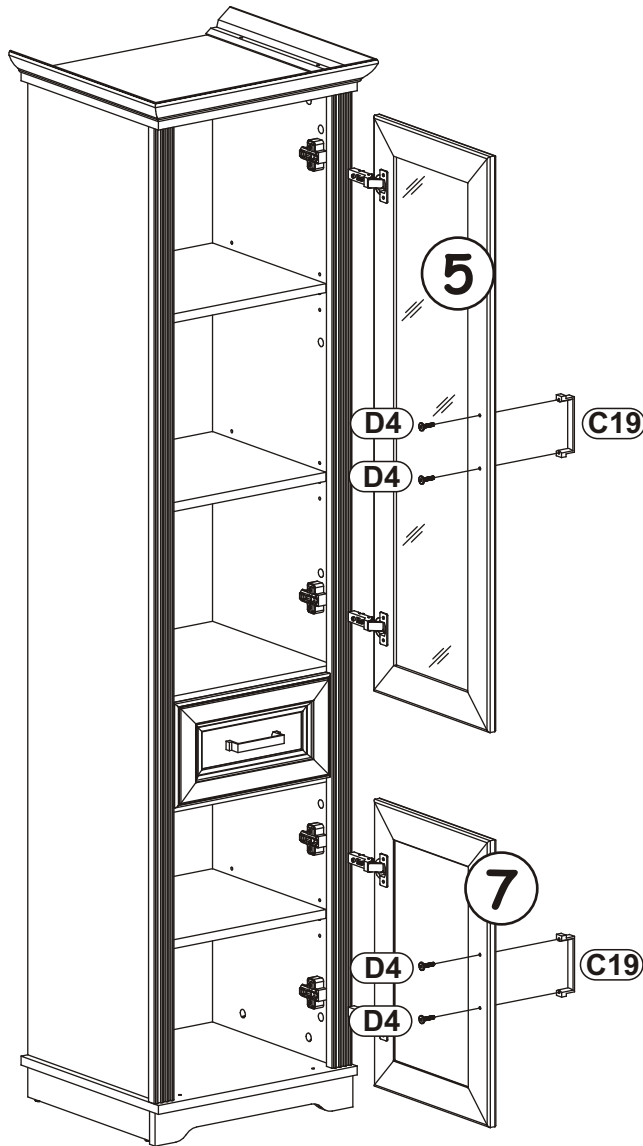


21

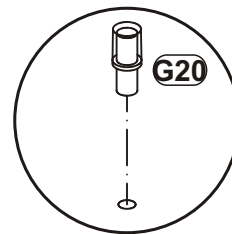
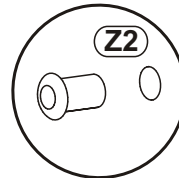
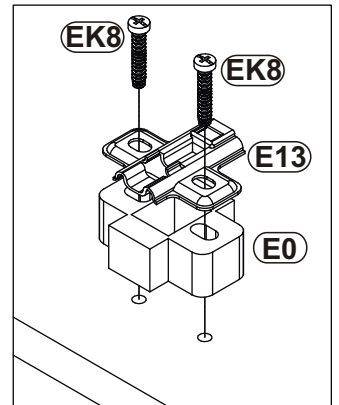
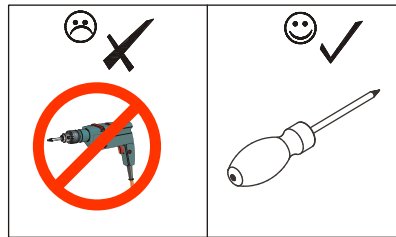
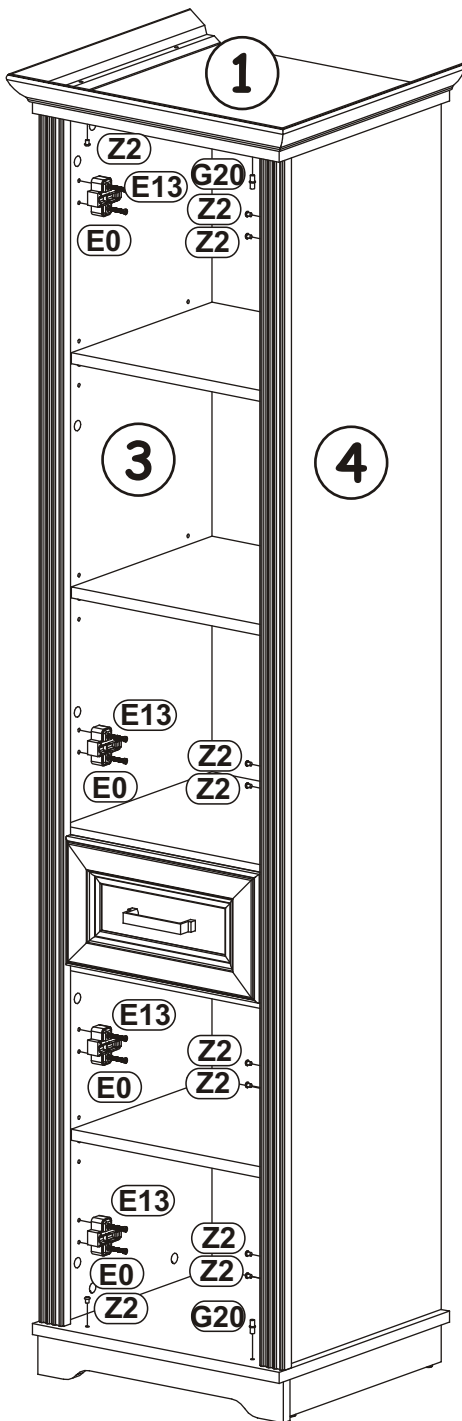
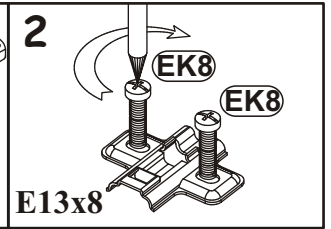
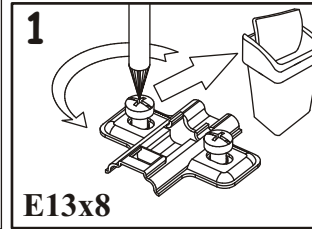
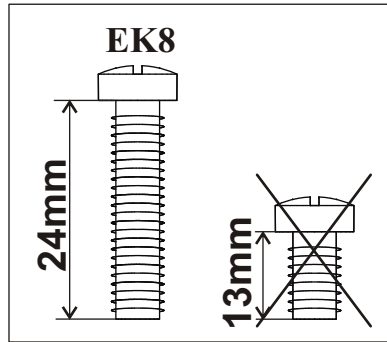
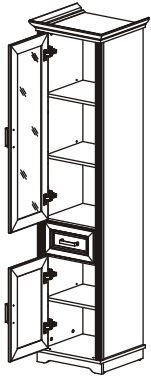
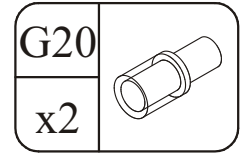
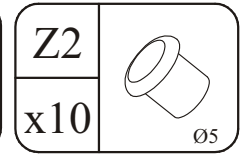
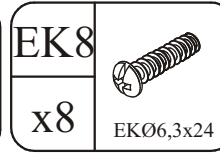
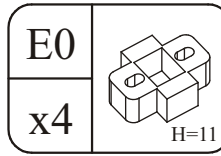
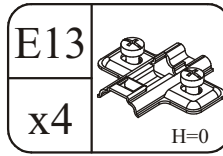




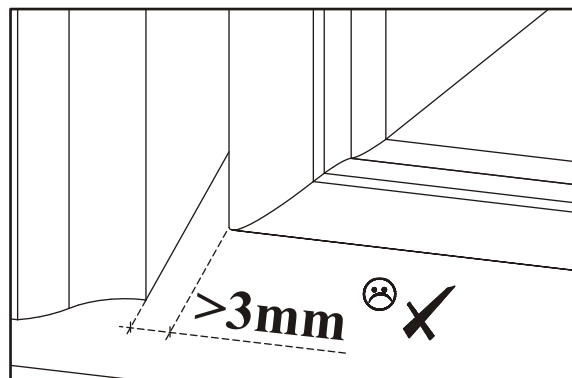
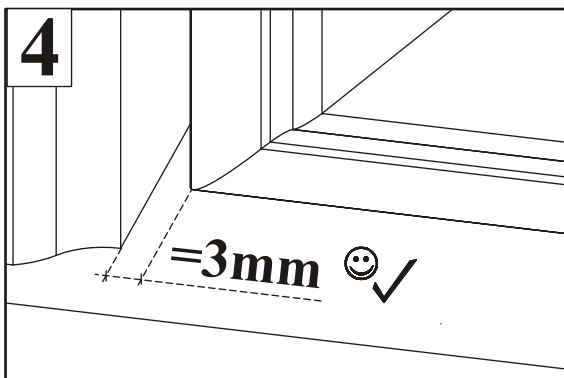
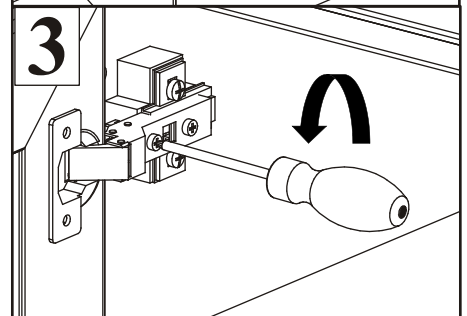
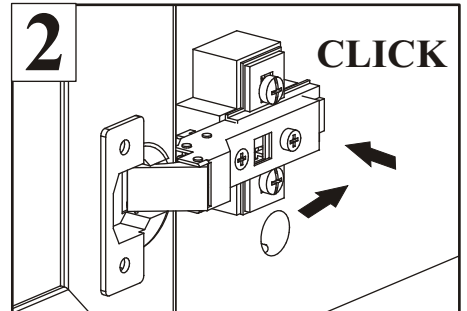
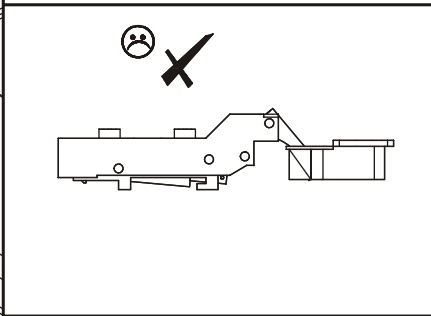
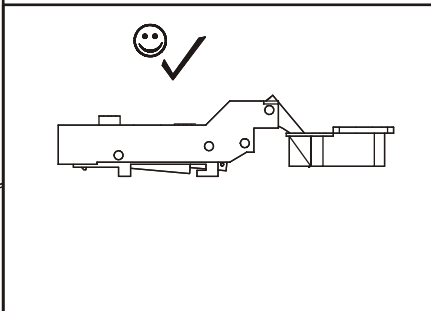
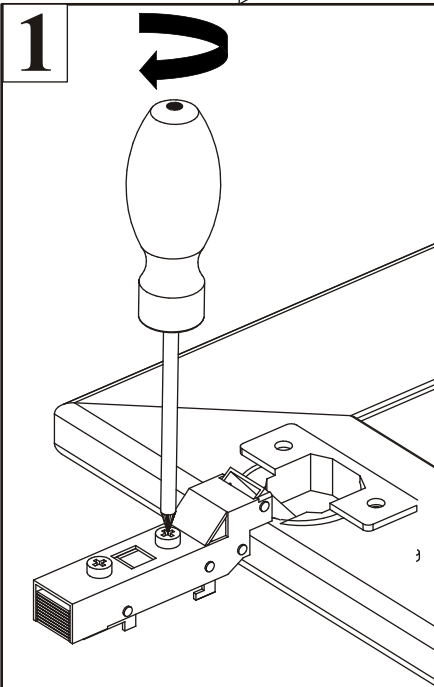
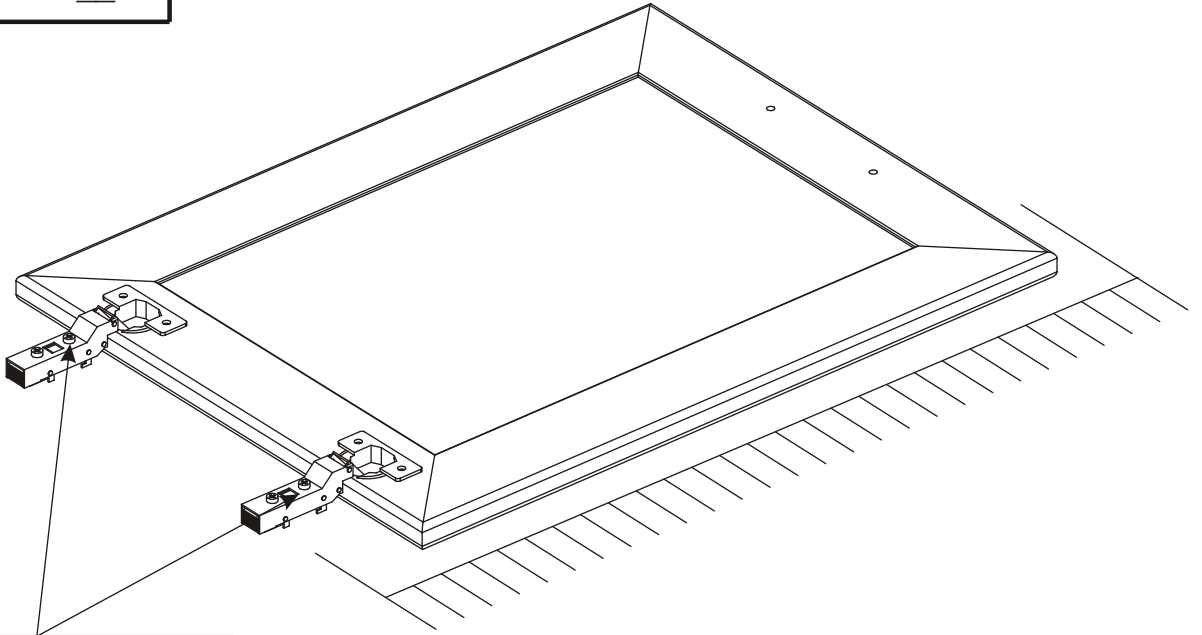
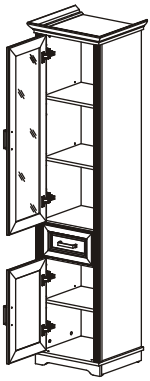
22



23



24



25

