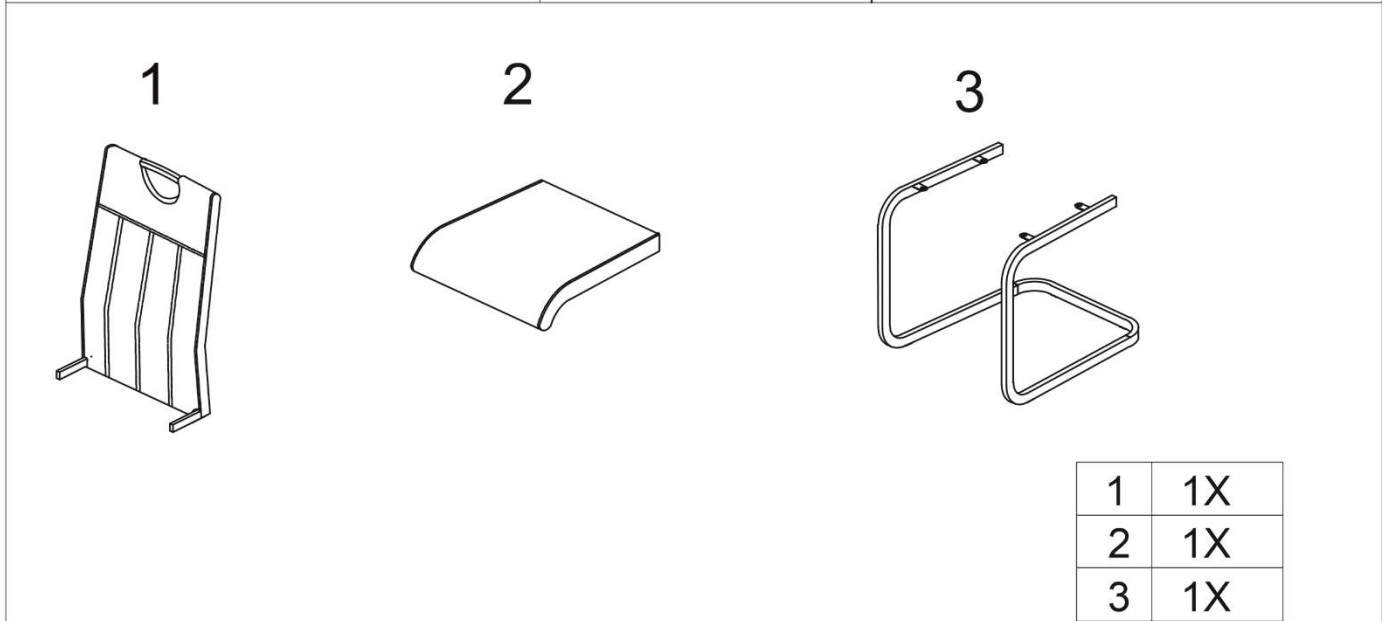
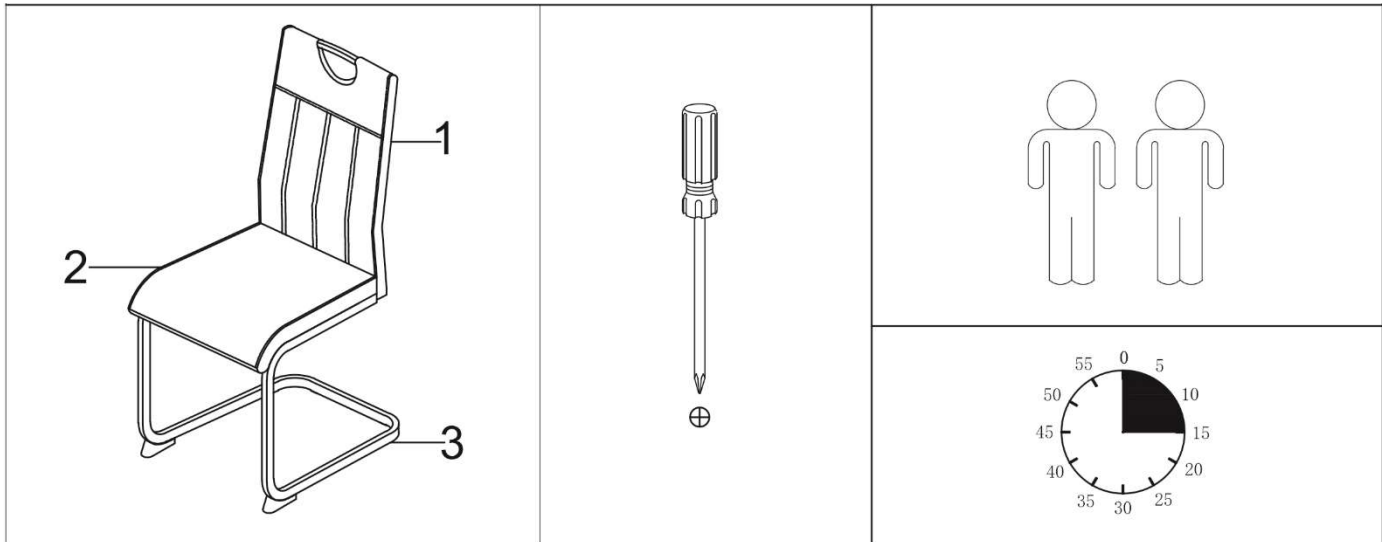

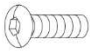
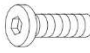






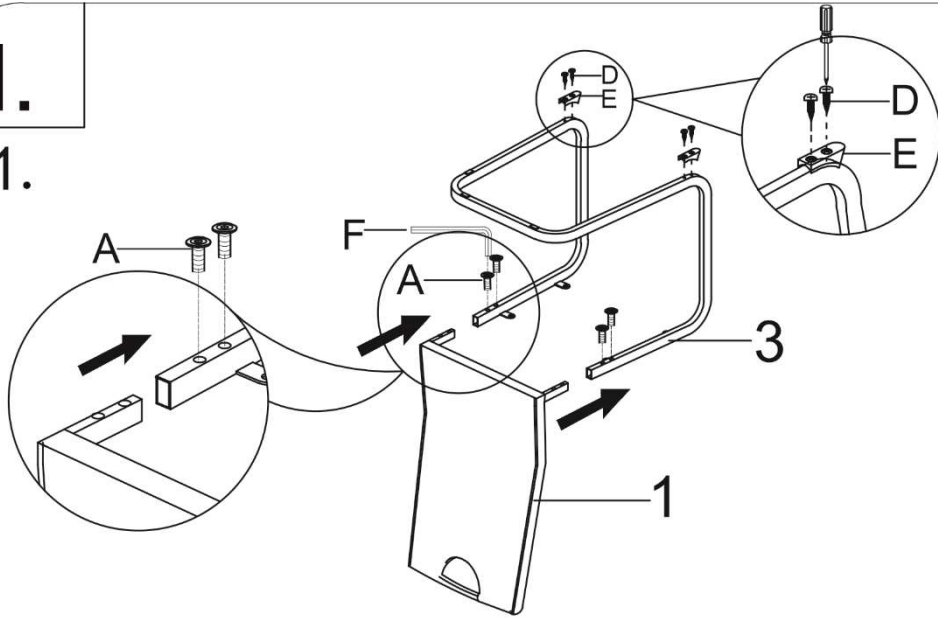
# Typ: Nr. 086-8876



 <p>1/1</p>	<p><b>A</b> M6*12</p>  <p>4X</p>	<p><b>B</b> M6*18</p>  <p>4X</p>	<p><b>C</b> Ø18*Ø6.5*1.5</p>  <p>4X</p>	<p><b>D</b> M4*20</p>  <p>4X</p>	<p><b>E</b></p>  <p>2X</p>
<p><b>F</b> 4mm</p>  <p>1X</p>					

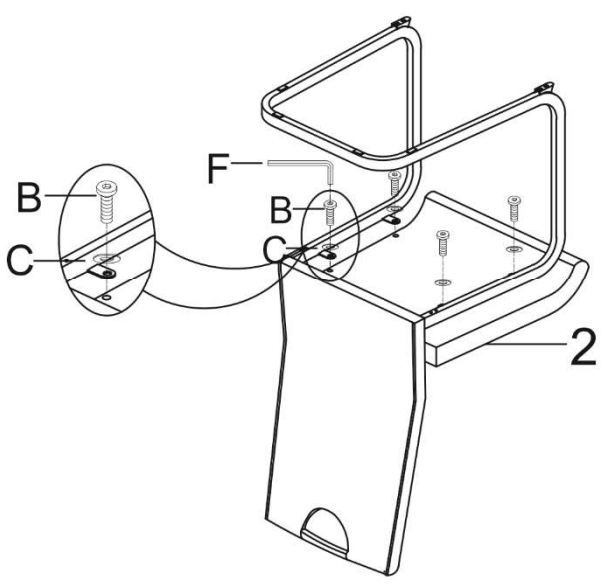
I.

1.



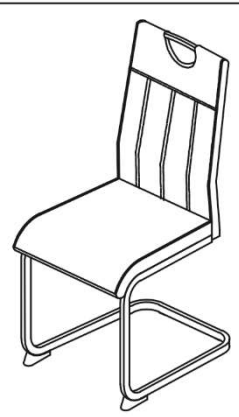
- A M6\*12 4X
  - D M4\*20 4X
  - E 2X
  - F 4mm 1X
- 75%

2.



- B M6\*18 4X
  - C Ø18\*Ø6.5\*1.5 4X
  - F 4mm 1X
- 75%

3.



- F 4mm 1X
- 100%



LE TRI + FACILE



Séparez les éléments avant de trier