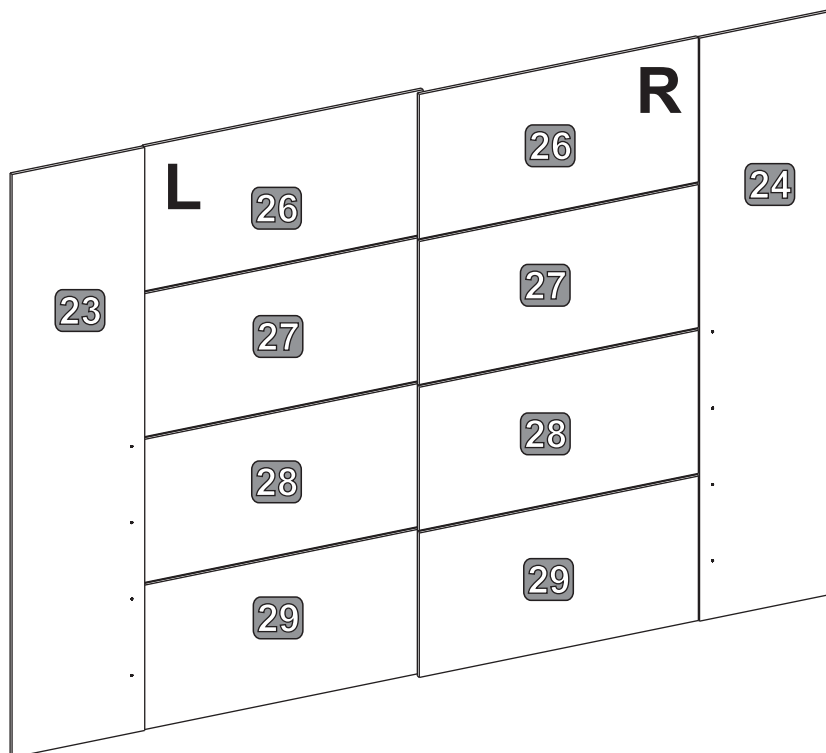
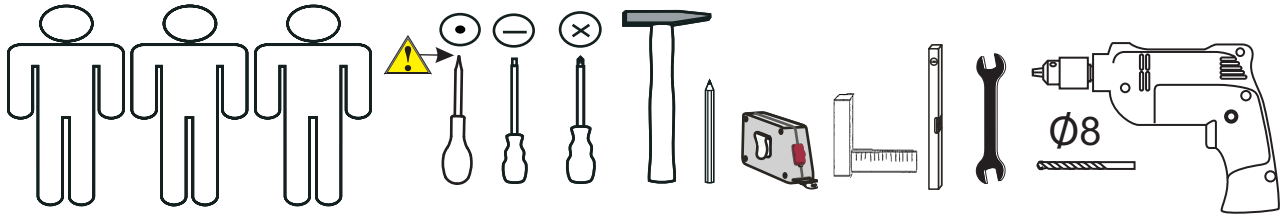




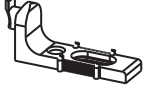






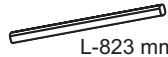


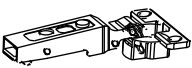



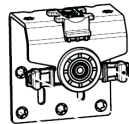
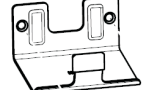
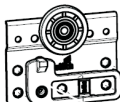

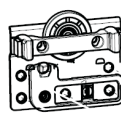




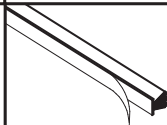
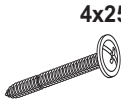









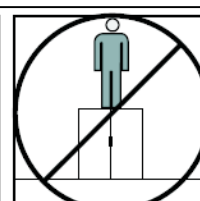
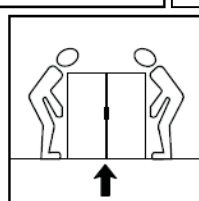
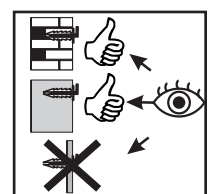
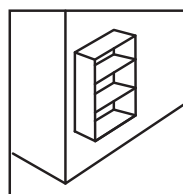
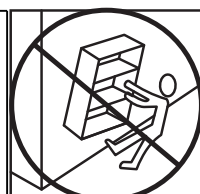
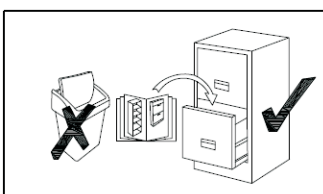
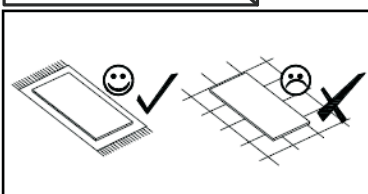
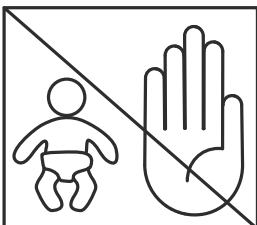
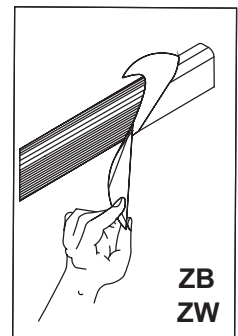
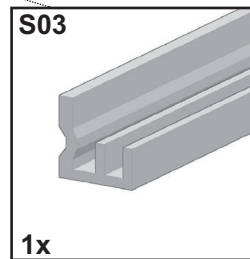
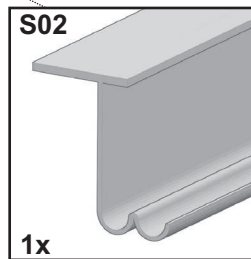
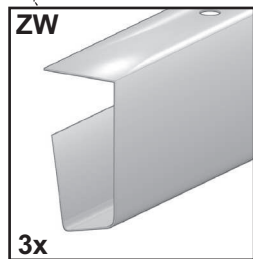
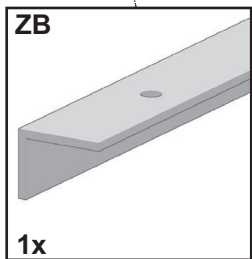
NR	DIM	QTE	COLLI
1	2250x560x15	1	1/8
2	2250x560x15	1	1/8
3	2249x535x15	1	3/8
4	2250x588x15	1	2/8
5	2250x588x15	1	2/8
6	469,5x560x15	1	1/8
7	469,5x541x22	1	3/8
8	469,5x560x15	1	1/8
9	827,5x535x15	1	4/8
10	827,5x516x22	2	4/8
11	827,5x535x15	1	1/8
12	469,5x588x15	1	2/8
13	469,5x569x22	1	3/8
14	469,5x588x15	1	2/8
15	469,5x50x15	2	2/8
16	469,5x50x15	2	2/8
17	827,5x50x15	2	2/8
18	827,5x50x15	2	2/8
19	469,5x540x22	3	3/8
20	469,5x568x22	3	3/8
21	2188x476x2	2	1/8
22	2188x1059x2	2	2/8
23	2200x496x15	1	6/8
24	2200x496x15	1	6/8
25	827,5x535x15	1	4/8
26	850x550x15	2	7/8; 8/8
27	850x550x15	2	7/8; 8/8
28	850x550x15	2	7/8; 8/8
29	850x550x15	2	7/8; 8/8
30	827,5x535x15	1	4/8










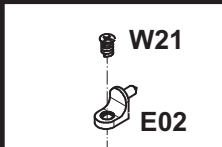


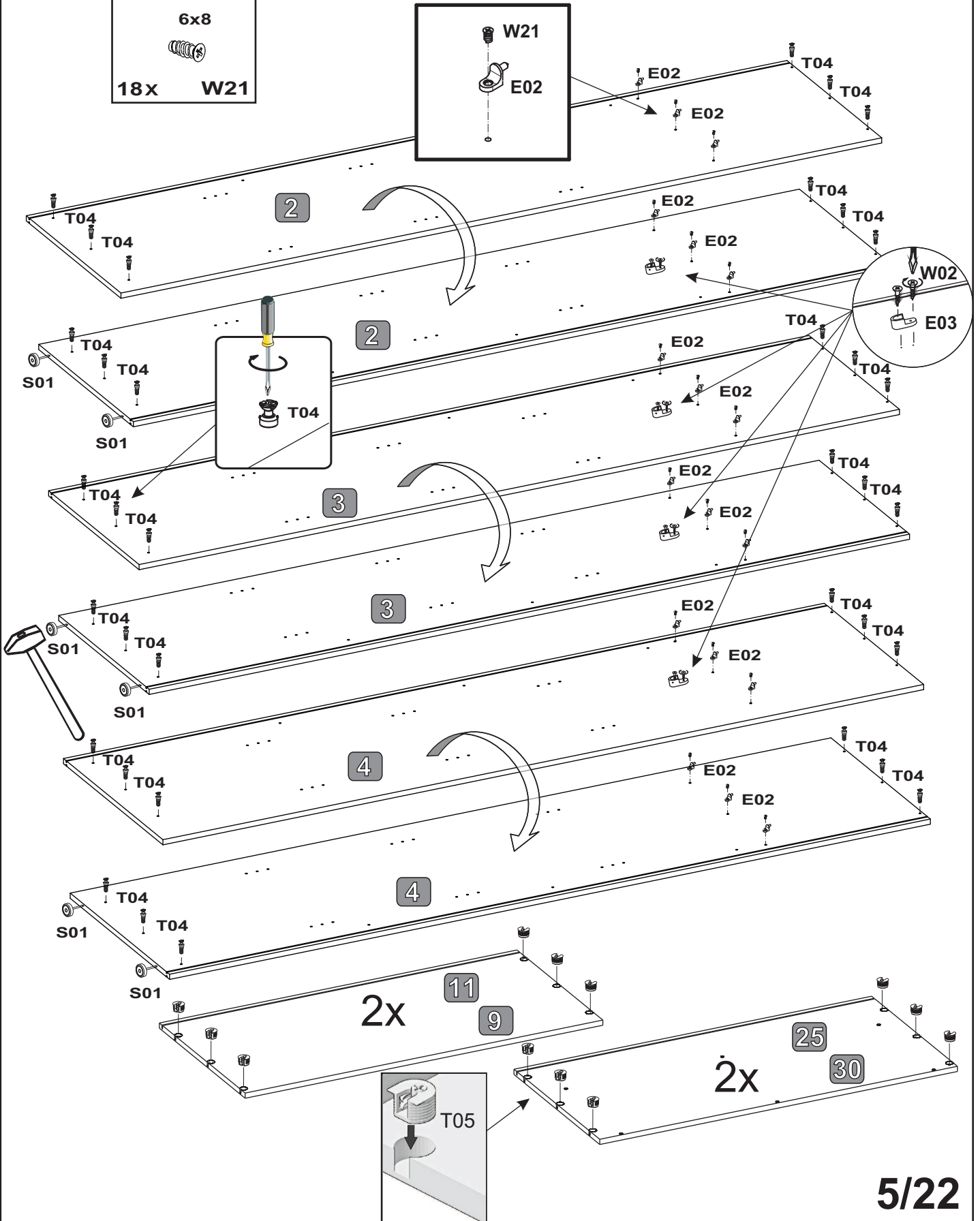
 48x T04	 48x T05	 5x40 20x W06	 1x K01	 30x R02	 44x R01
 24x E02	 3,5x13 140x W02	 4x E03	 22x S01	 3,5x13 8x W05	 L-823 mm 2x J01
 24x E01	 4x Z21	 KR-0 4x Z22	 4x Z02	 KR-0 4x Z01	 3,5x15 16x W04
 2x P-10	 2x P-07	 1x P-09	 2x P-06	 1x P-08	 18x W08
 L+R 1x G-02	 2x F-02	 20x C02	 3x Sz1	 4x25 8x W03	 6x11 28x W12
 2x P01	 2x F01	 2x F11	 4x13 4x W07		
 6,3x10 30x W20	 6x8 24x W21				

Nr	St	Colli
ZB	1	5-8
ZW	3	5-8
U01	2	2-8
S02	1	5-8
S03	1	5-8

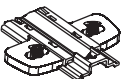








1

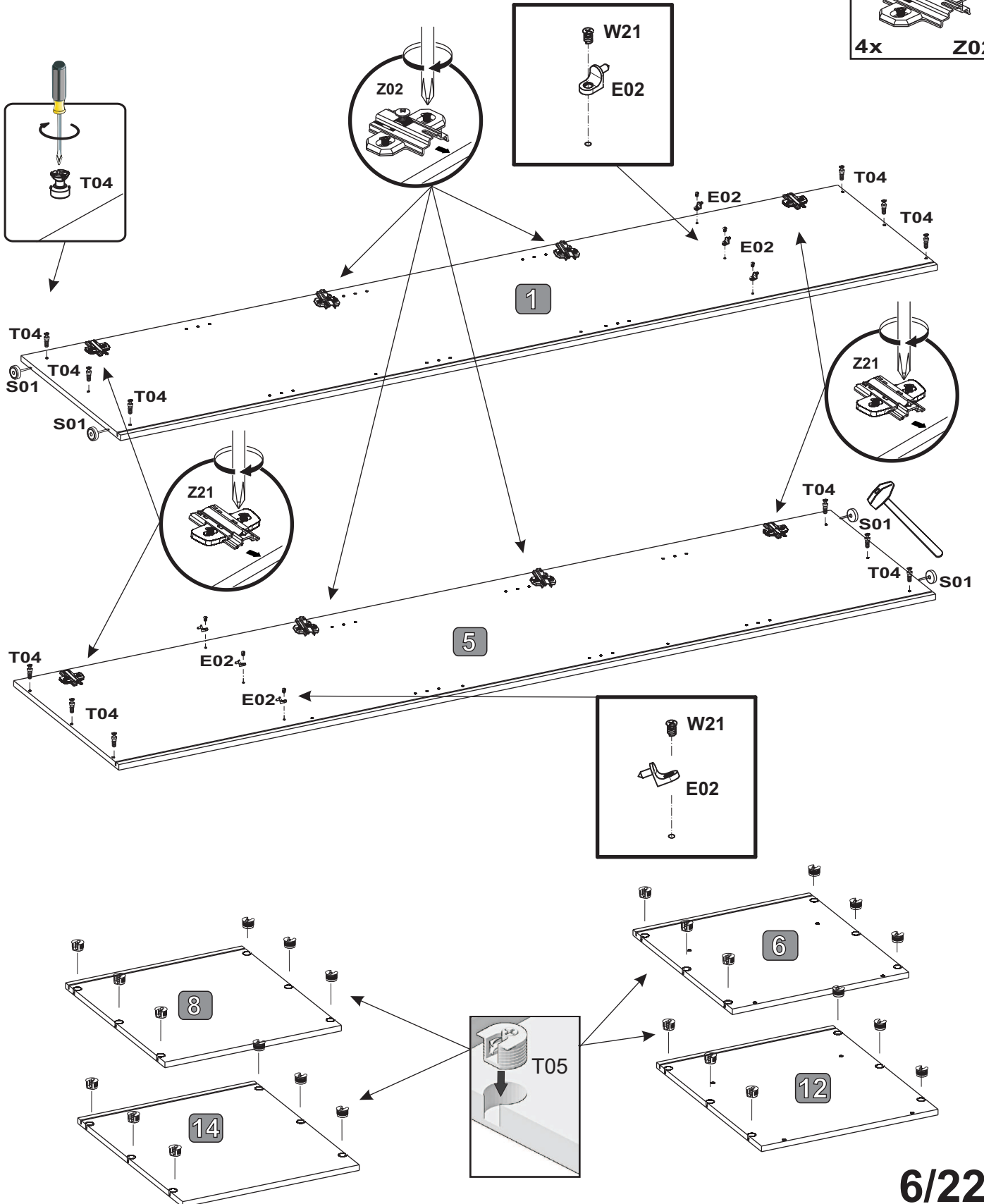
 18X E02	 8X W02	 6X S01	 4X E03	 36X T04	 24X T05
 18X W21					



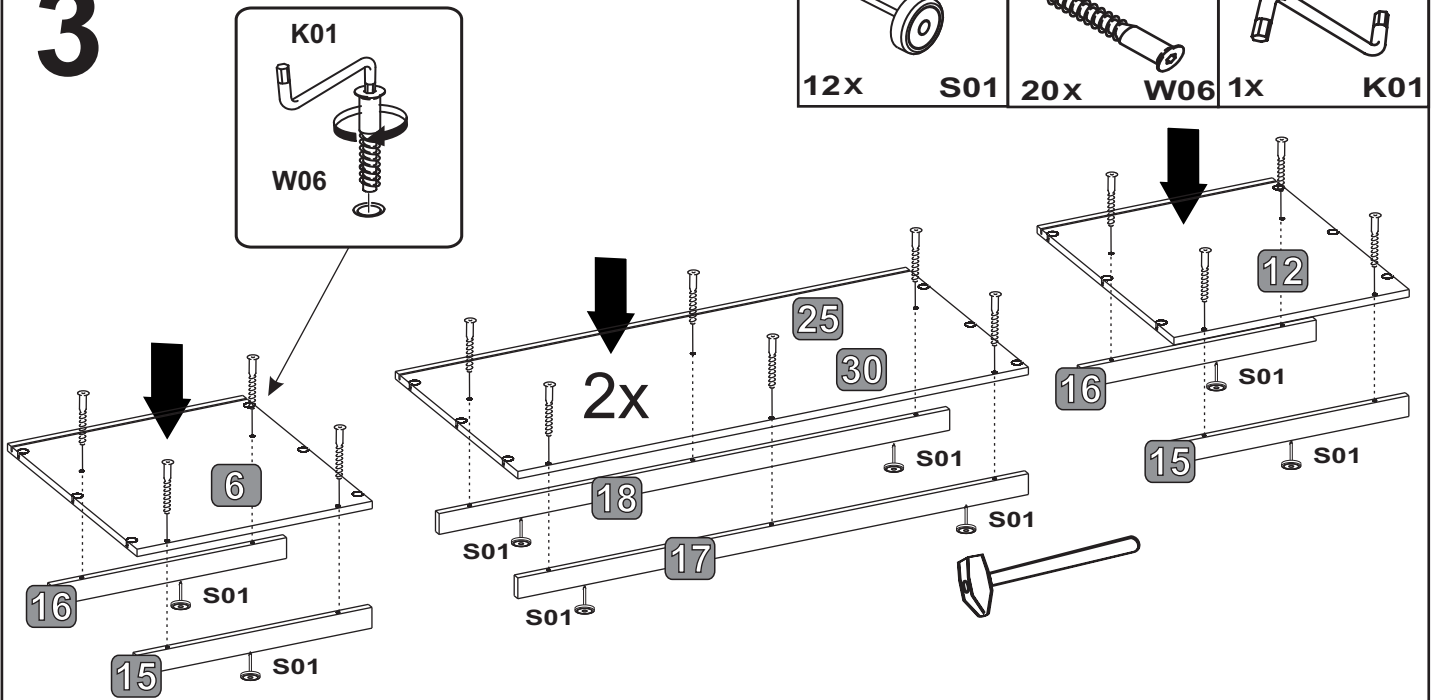
2

 4x Z21	 6x W21	 6x E02	 4x S01	 12x T04	 24x T05
---	---	---	--	--	--

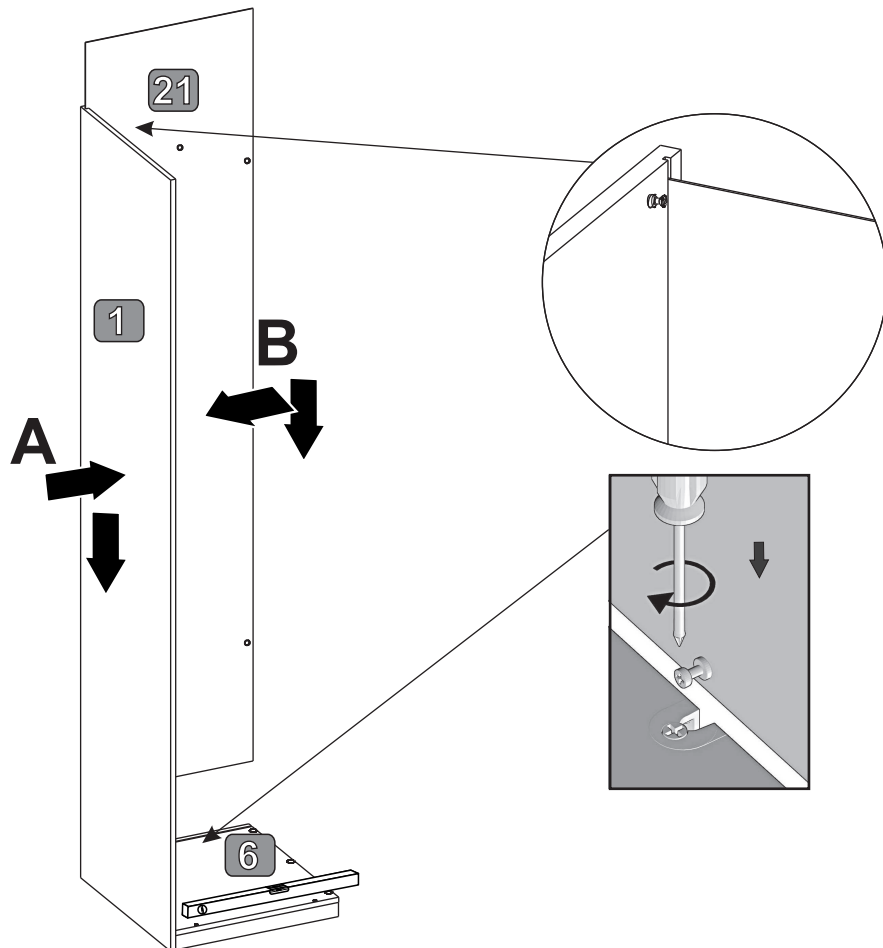
 4x Z02



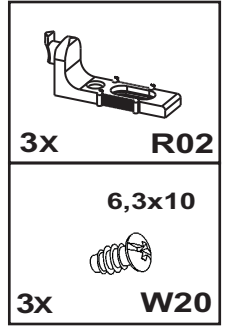
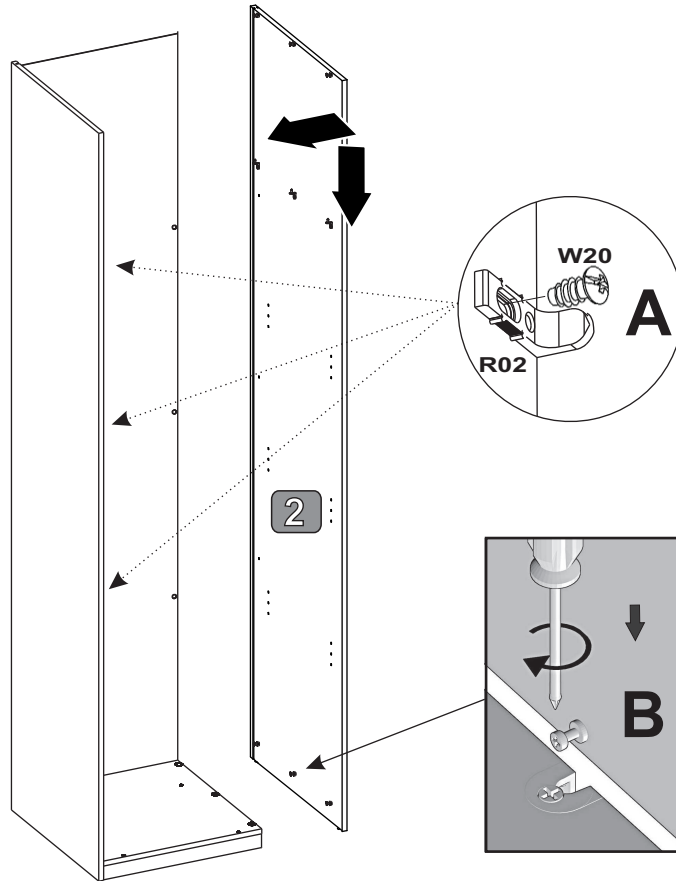
3



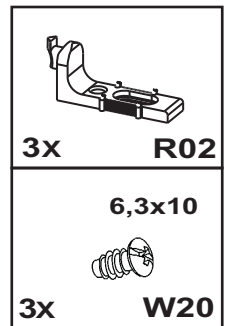
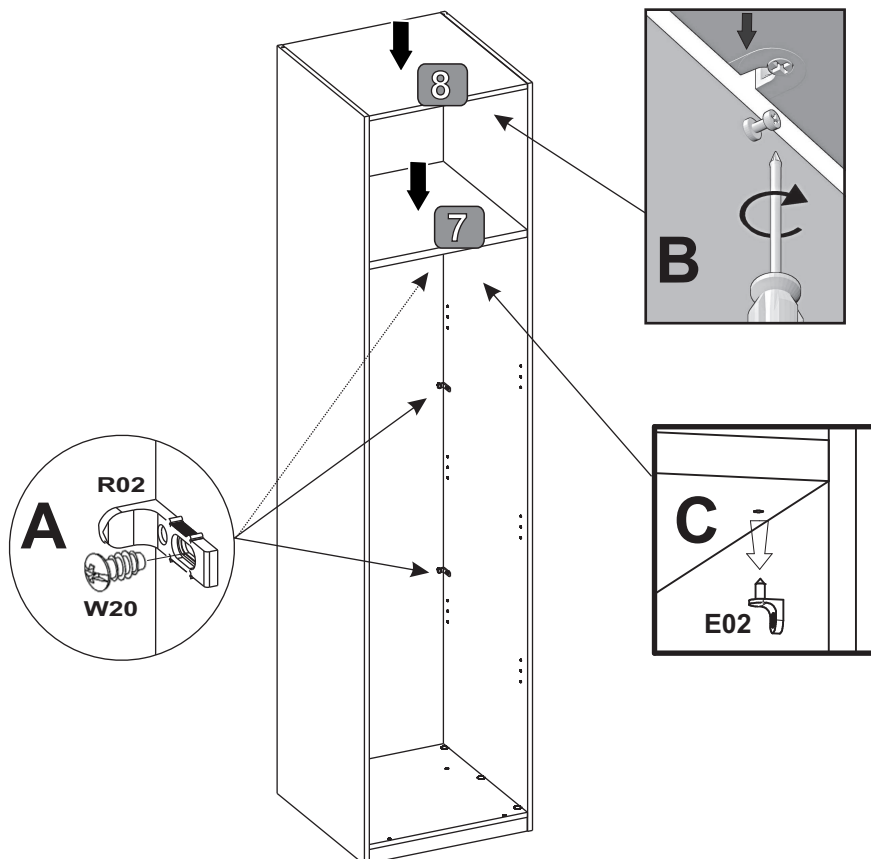
4



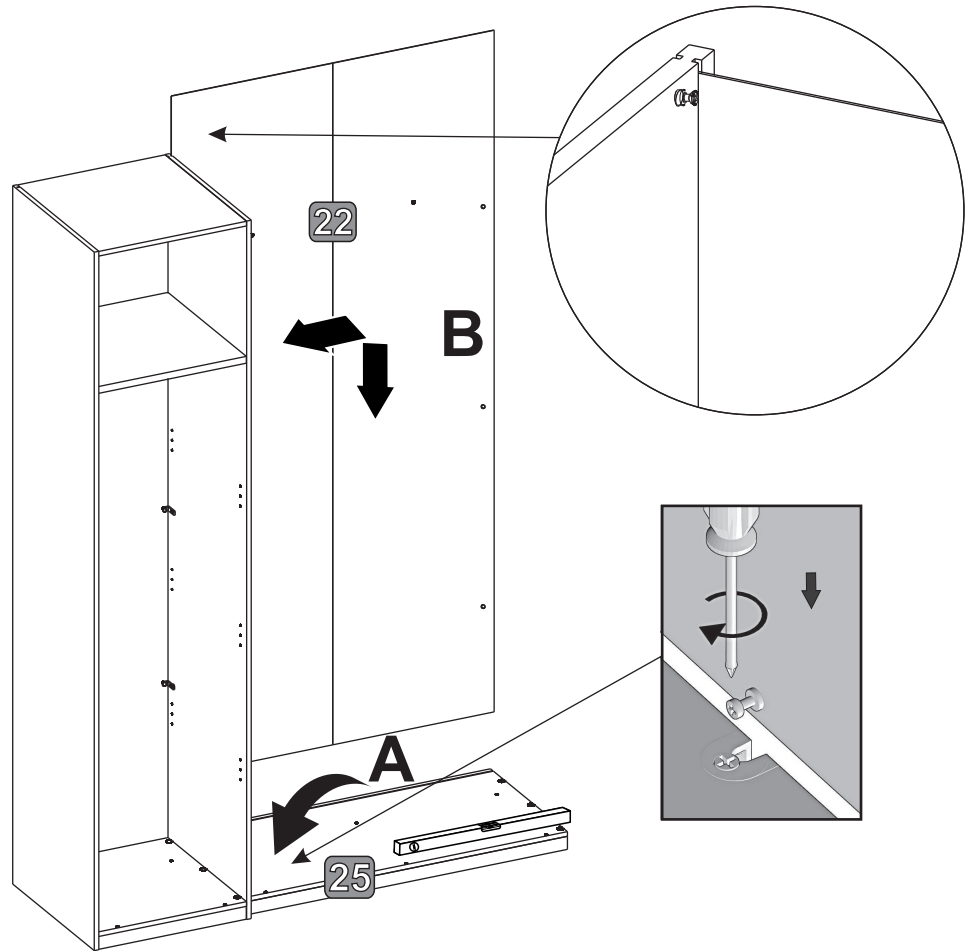
5



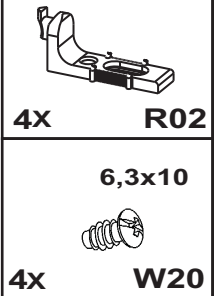
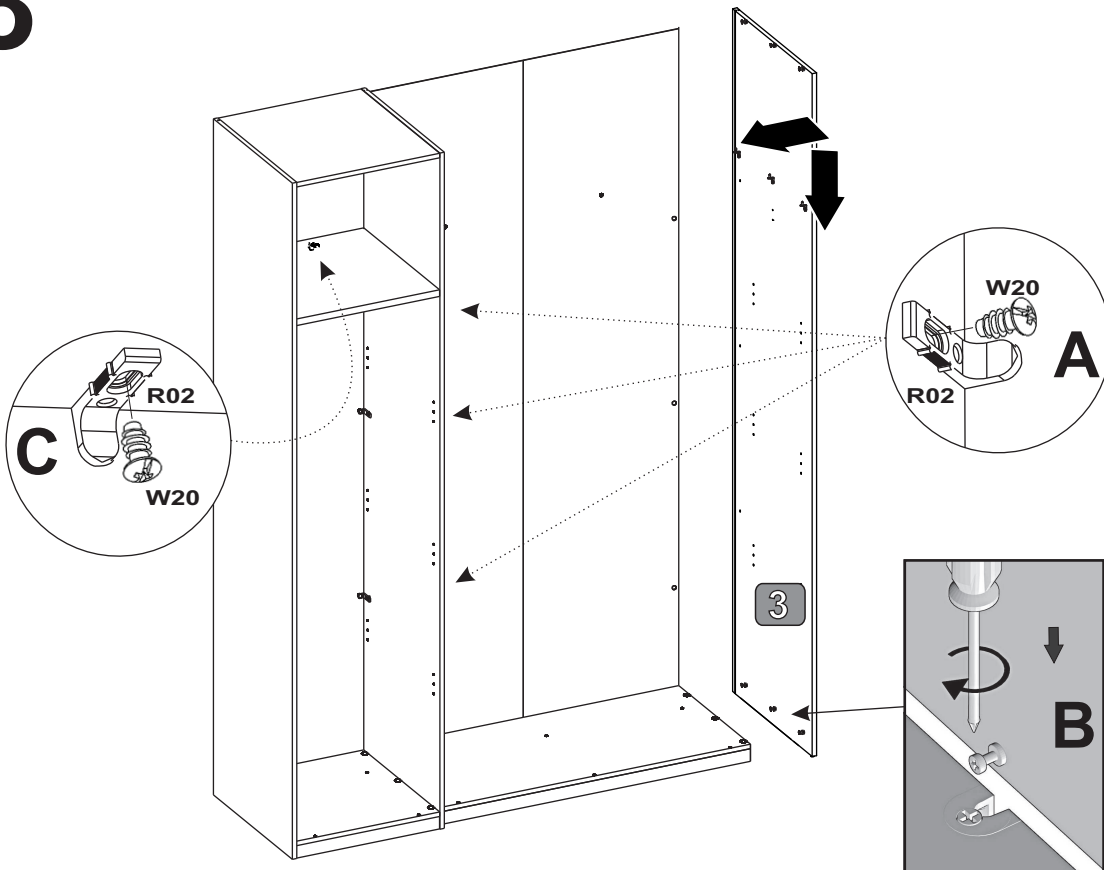
6



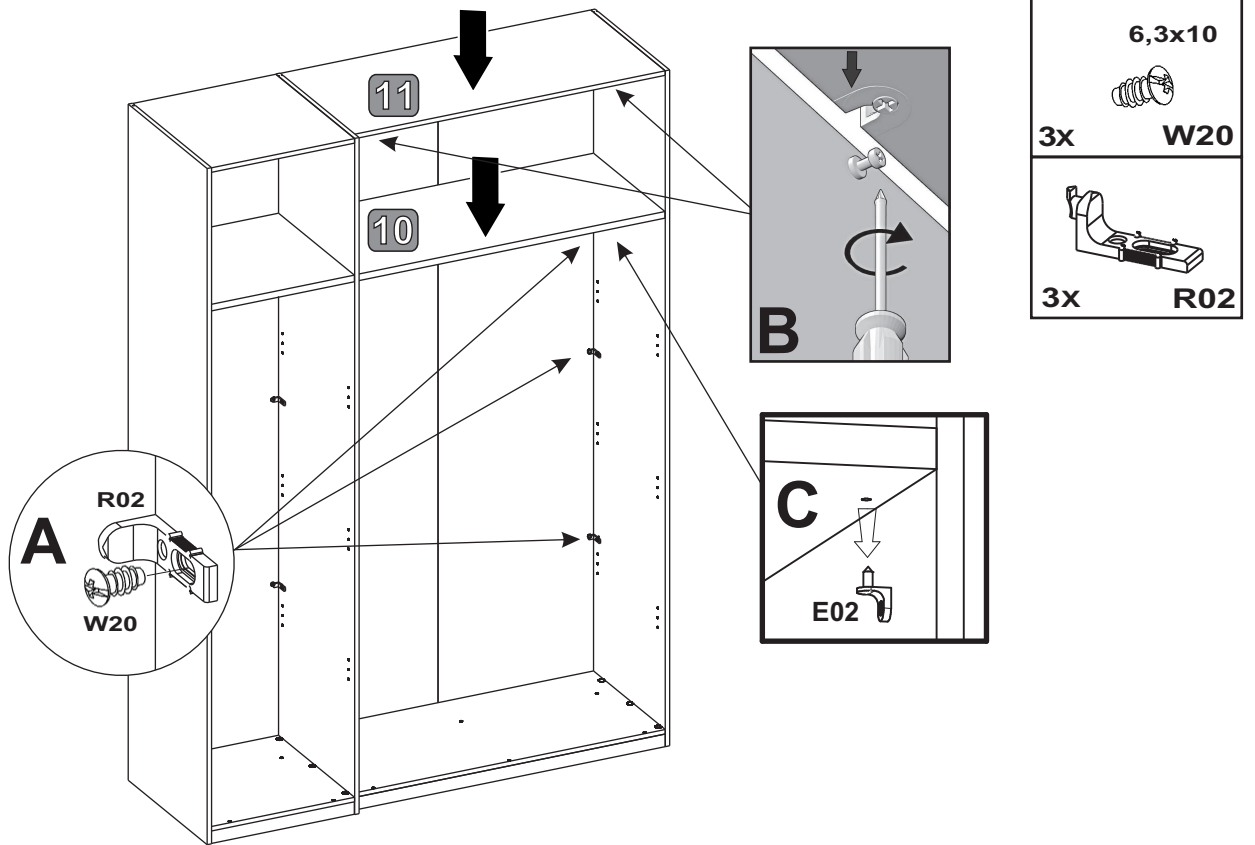
7



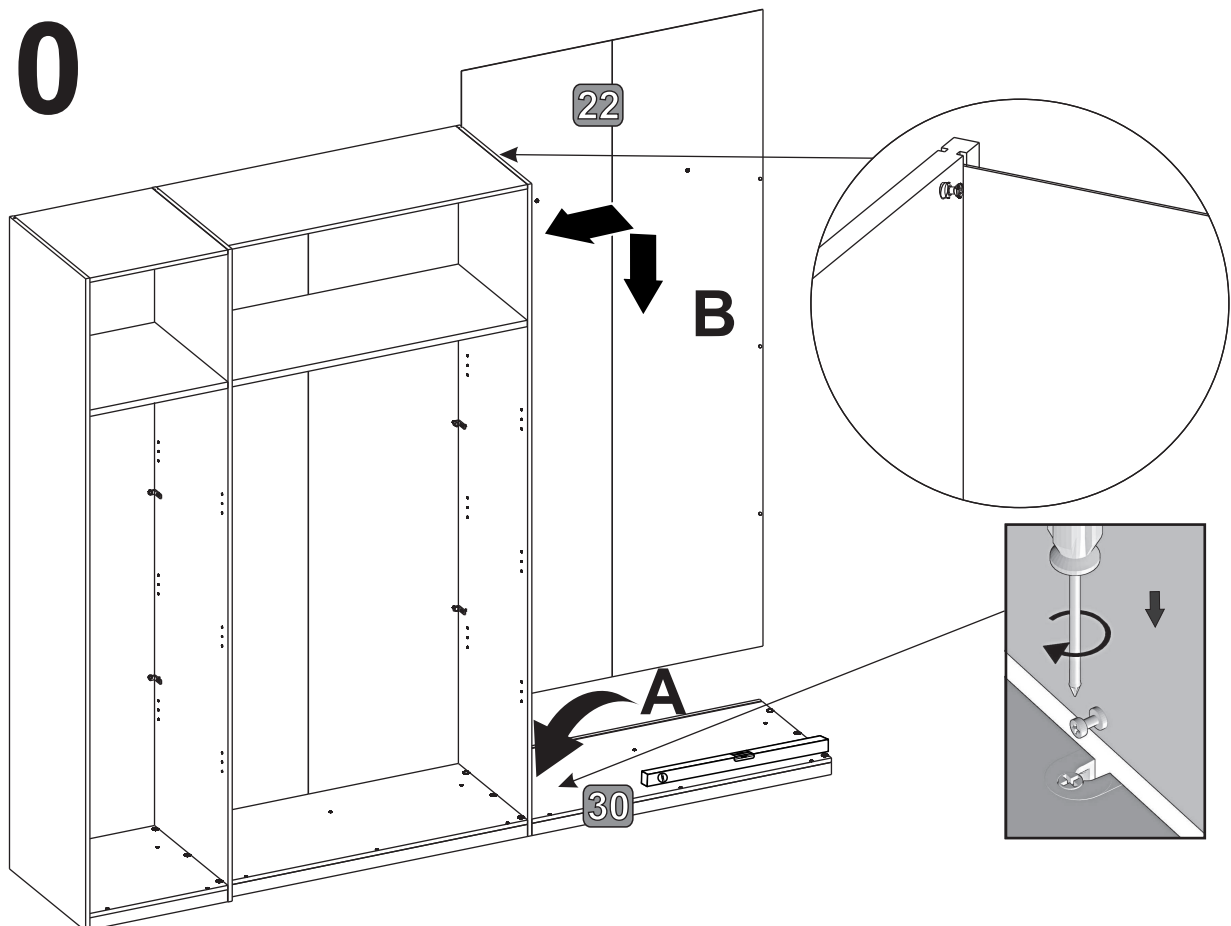
8



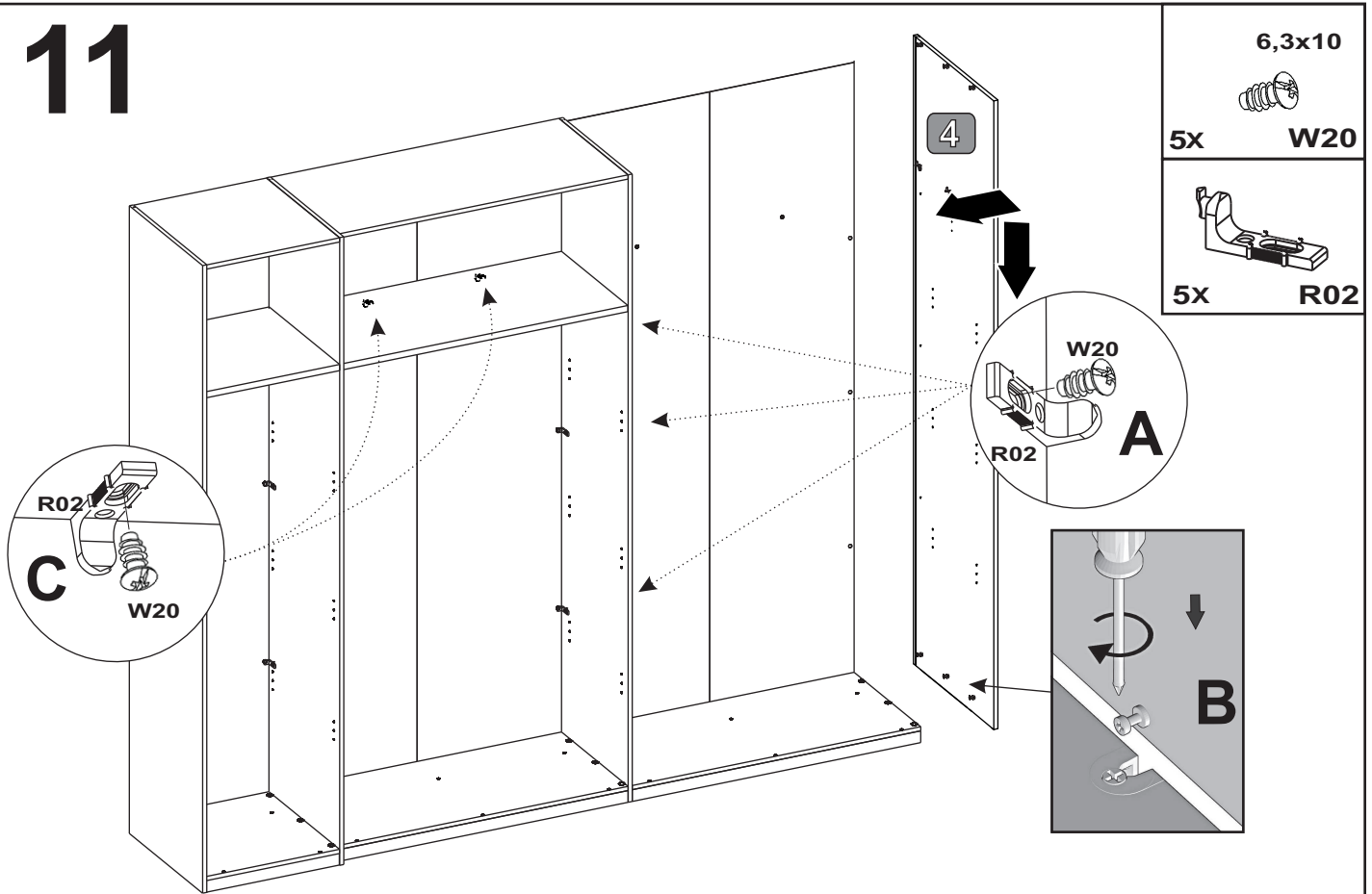
9



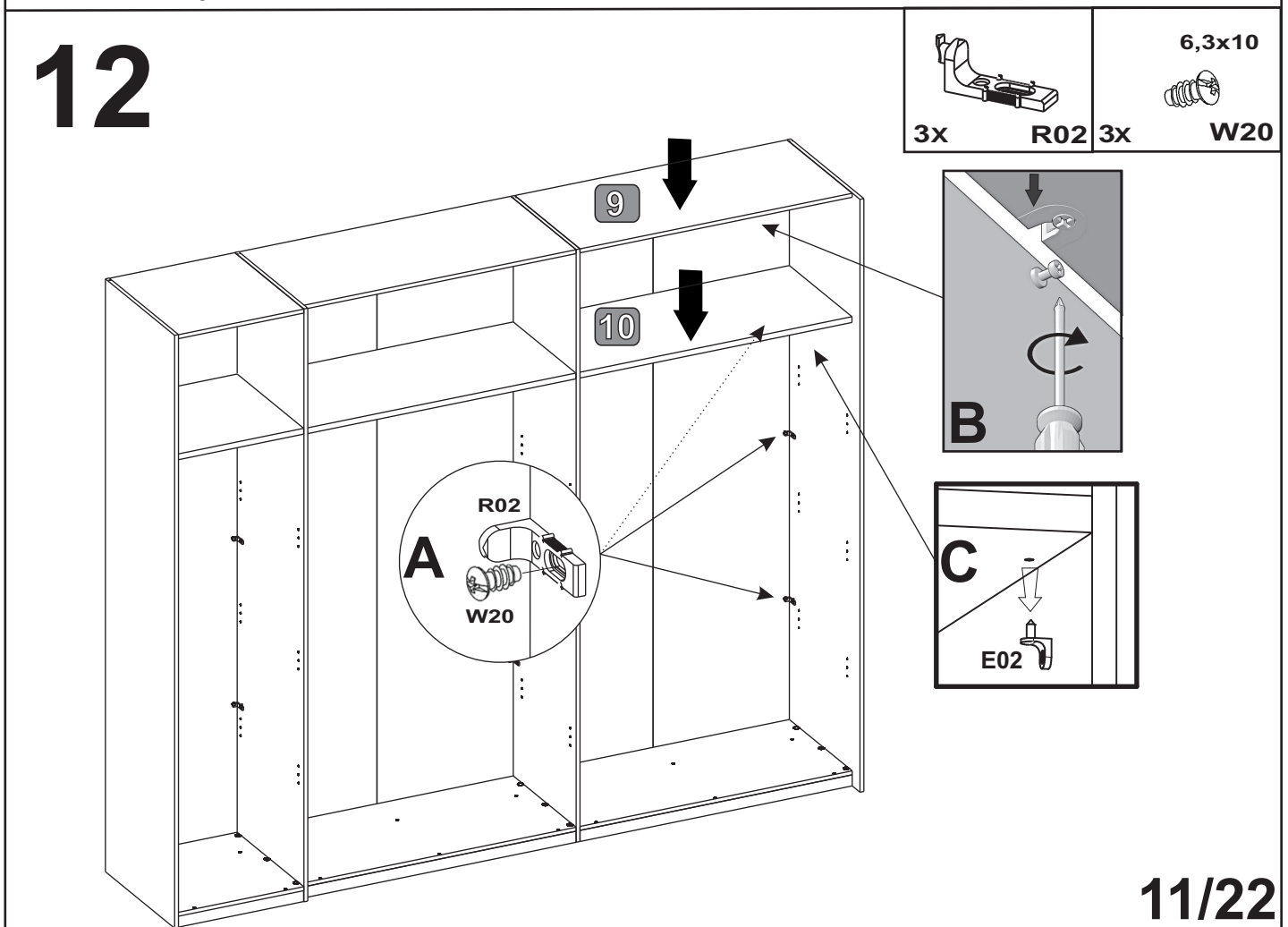
10



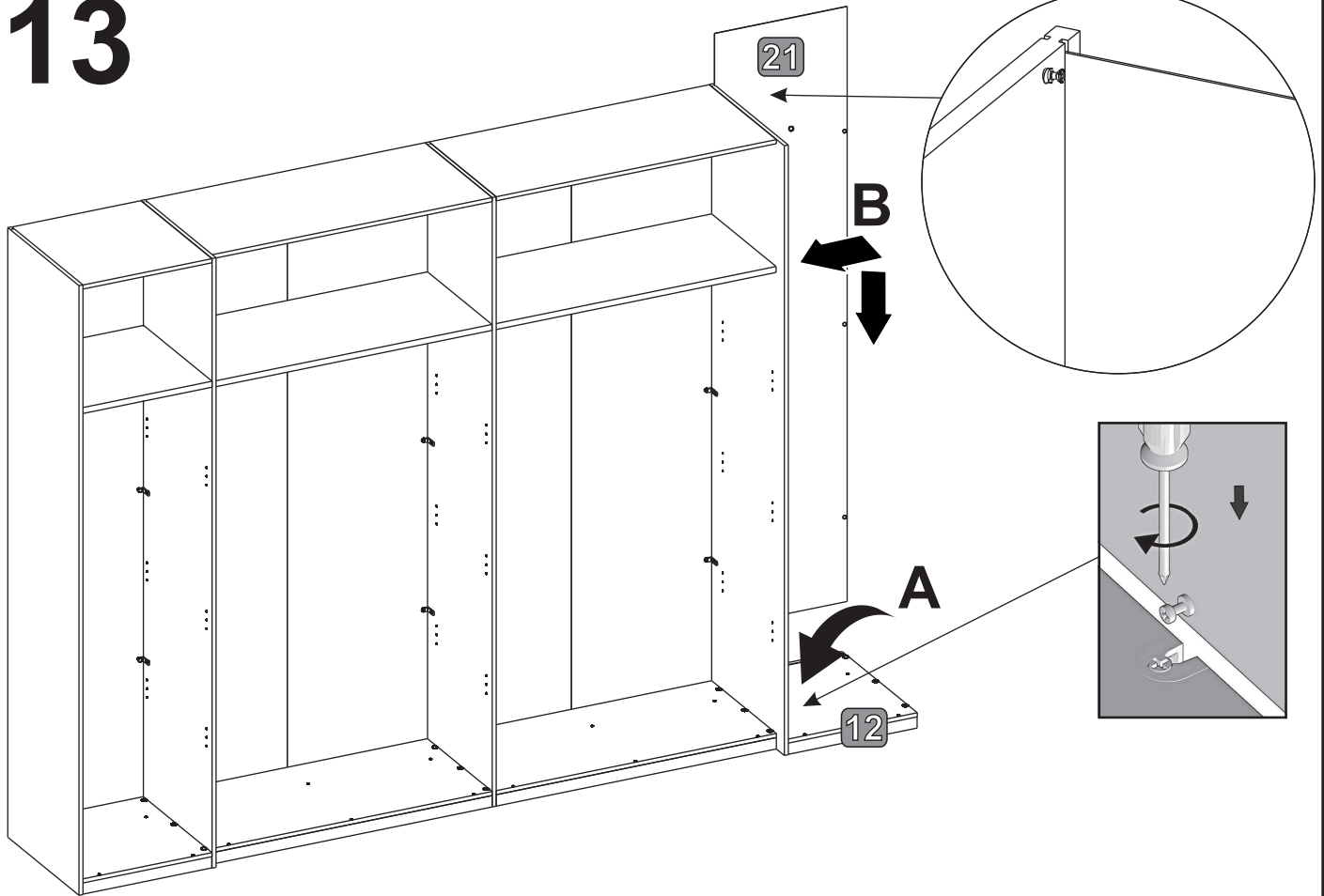
11



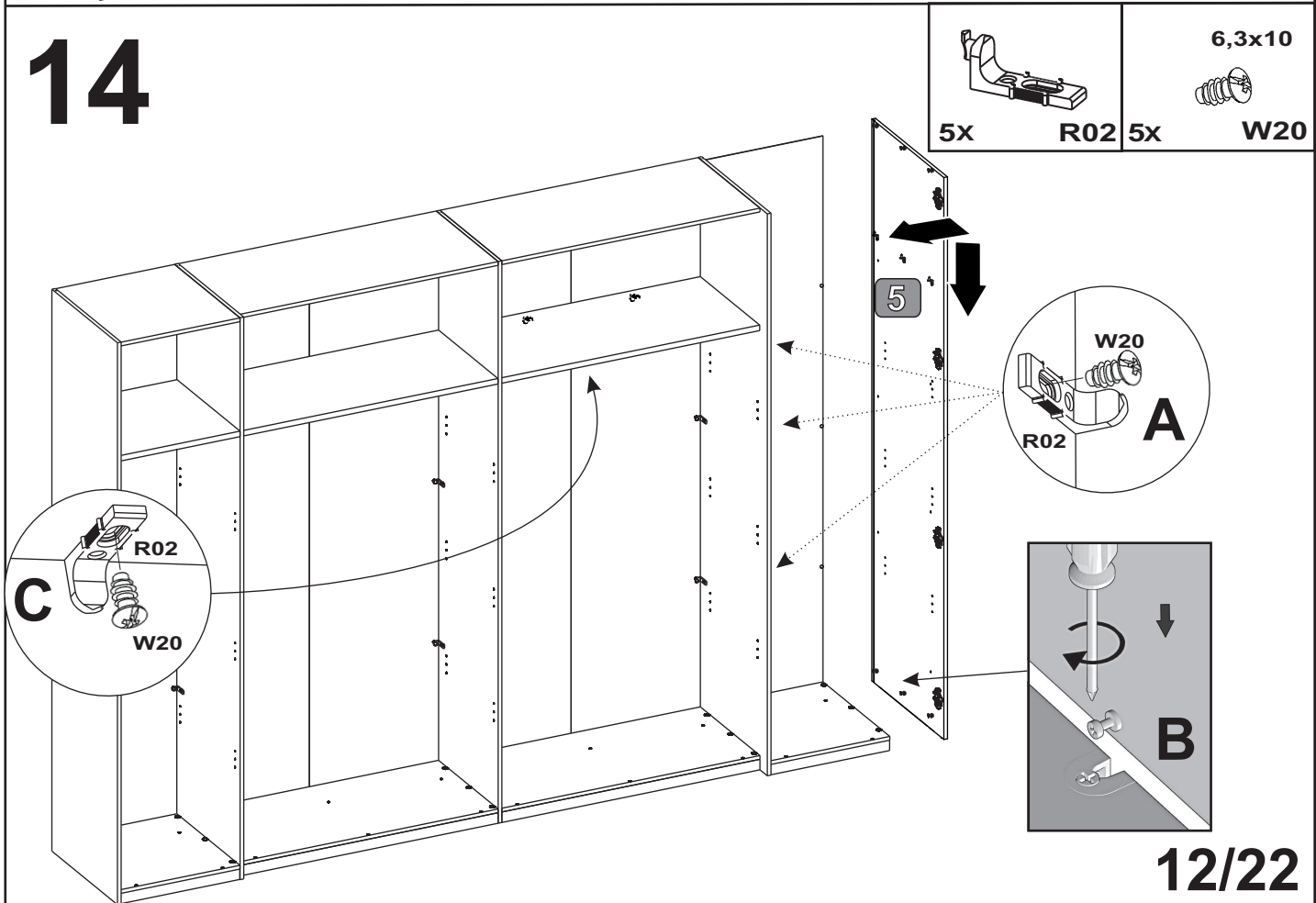
12



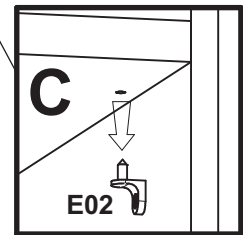
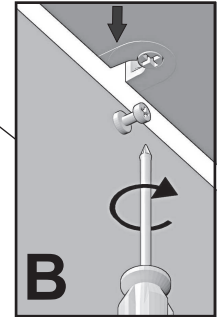
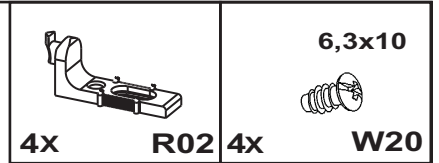
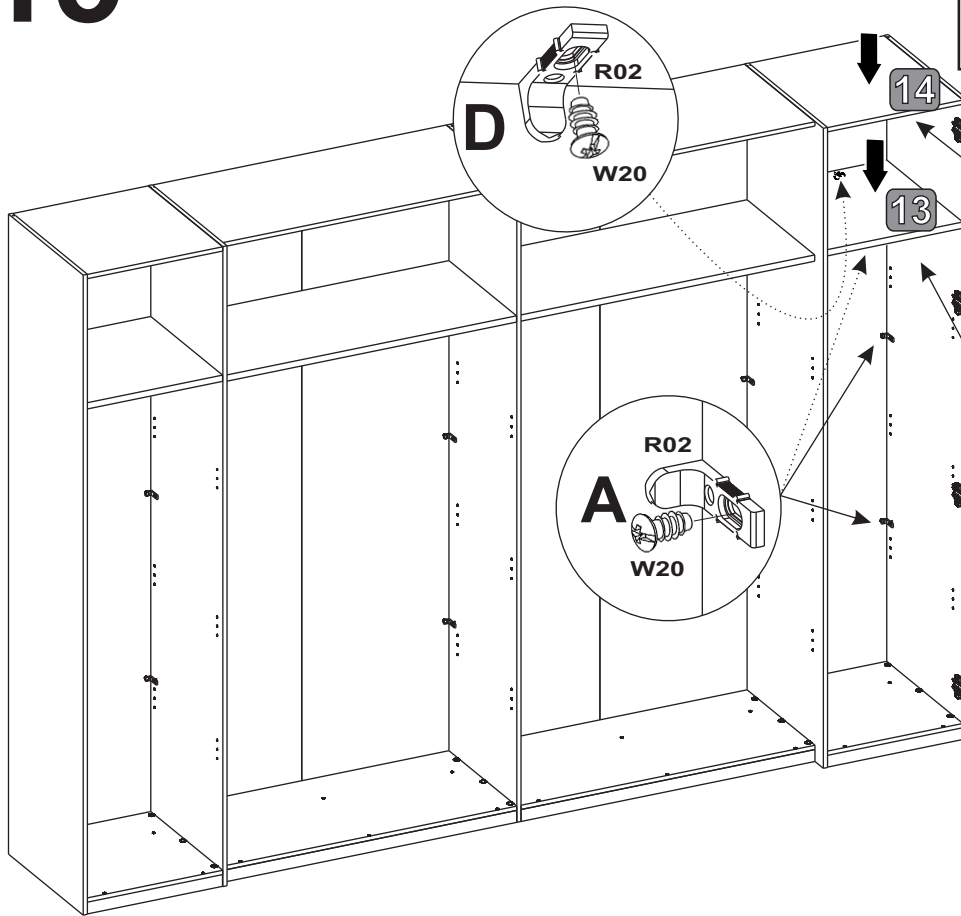
13



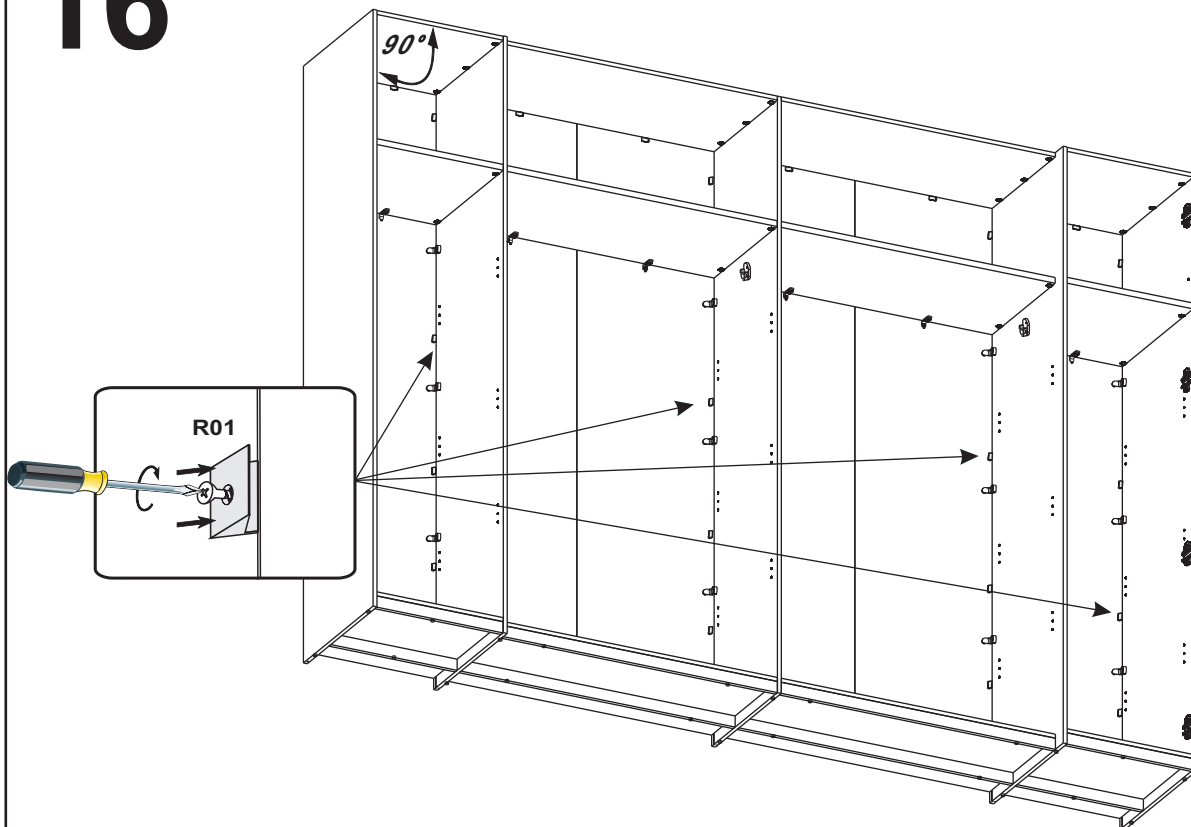
14



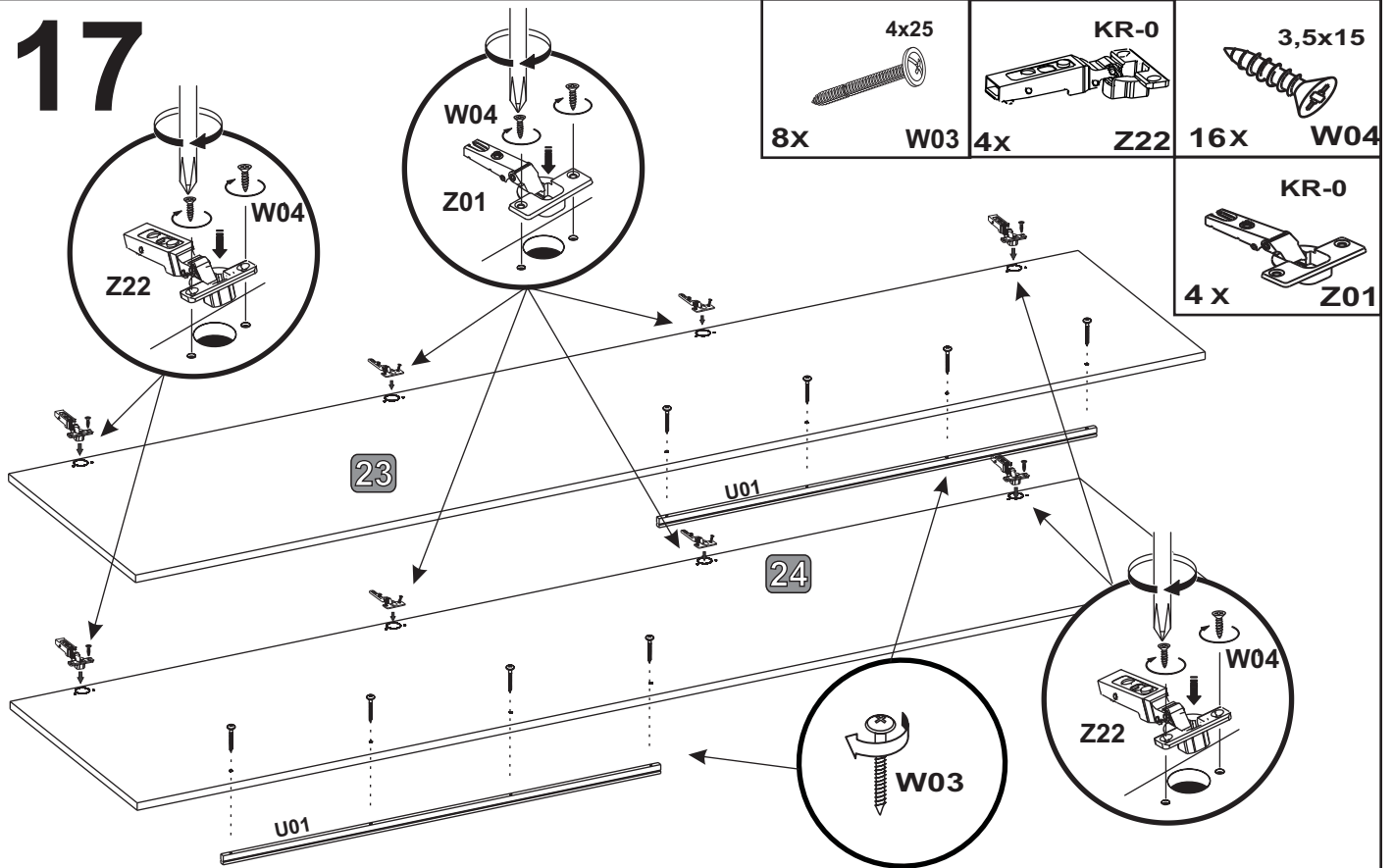
15



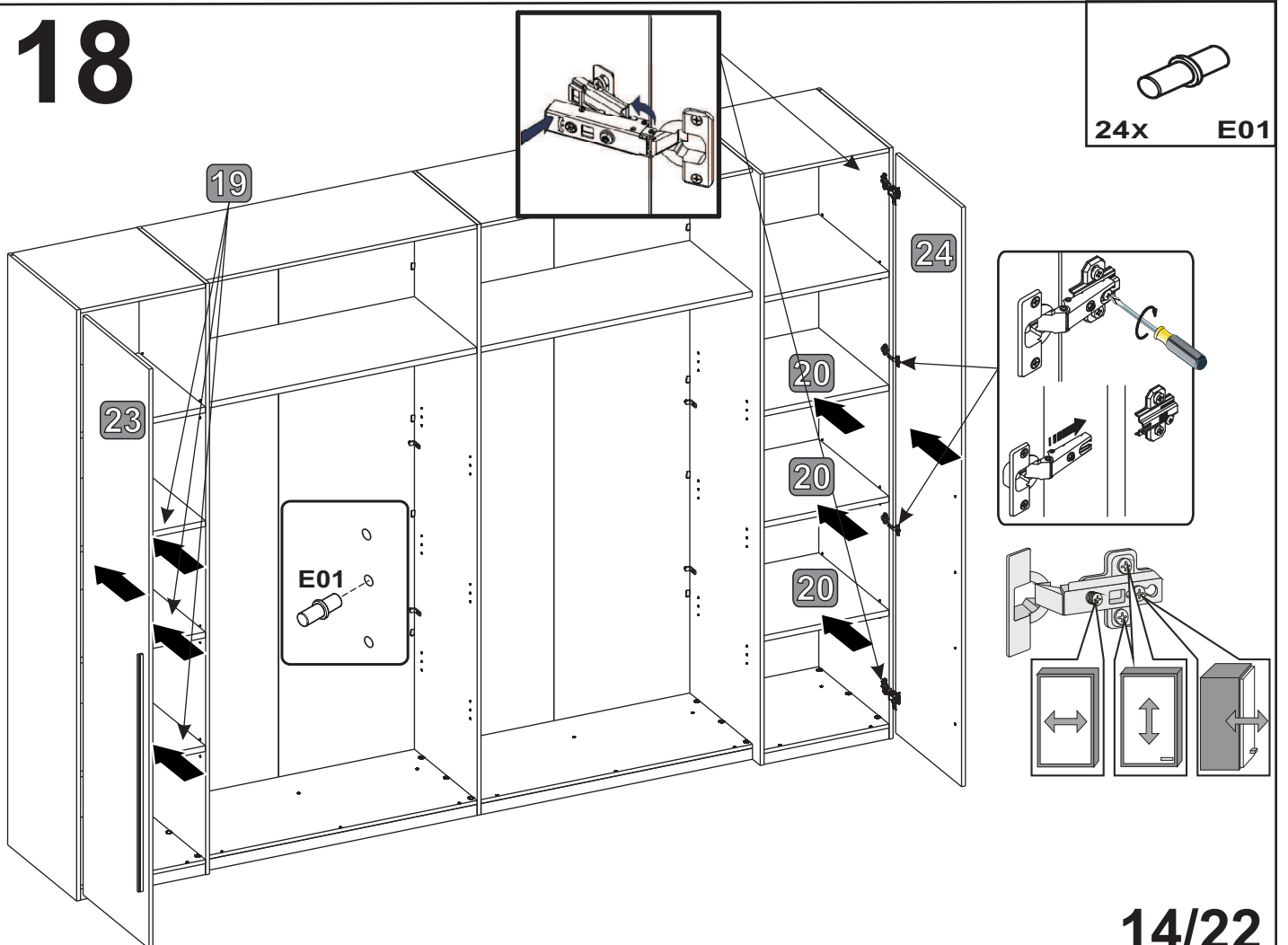
16



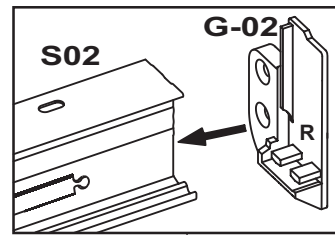
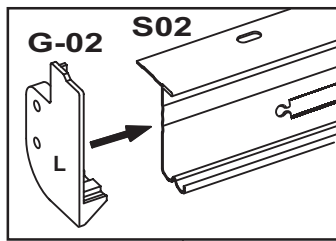
17



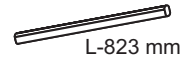
18



19



20 x C02

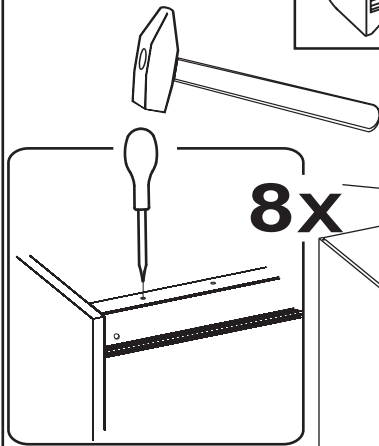


2 x J01

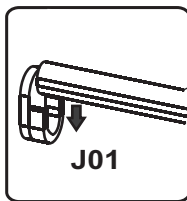
L+R



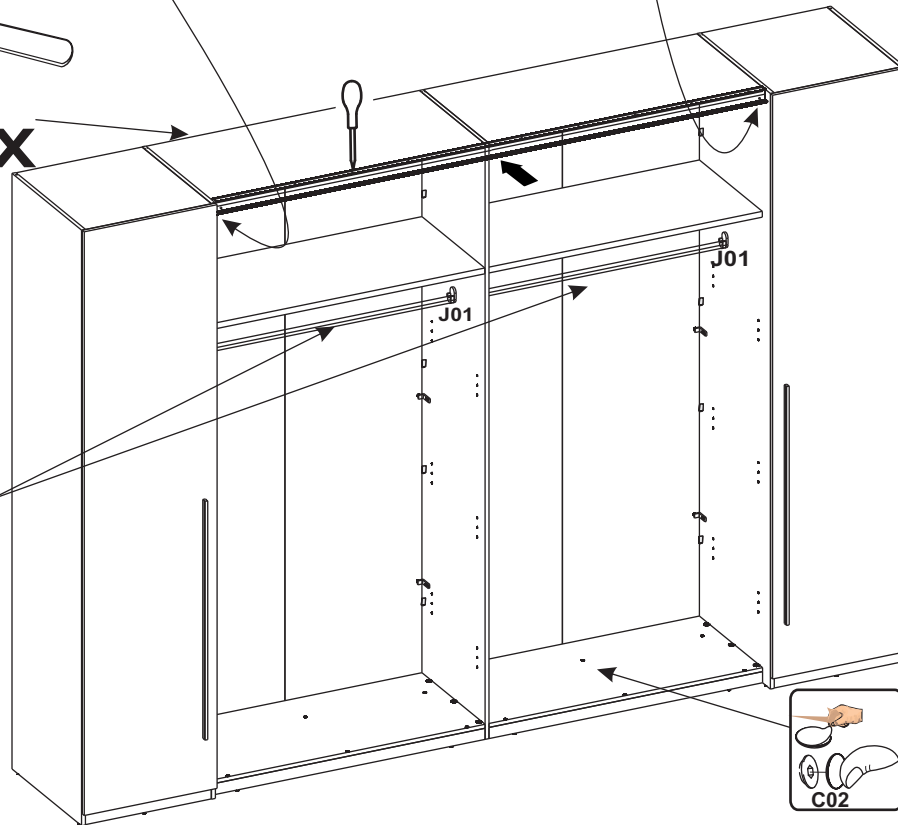
1 x G-02



8x



J01

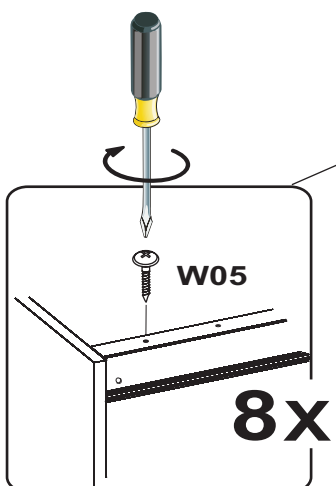


C02

20

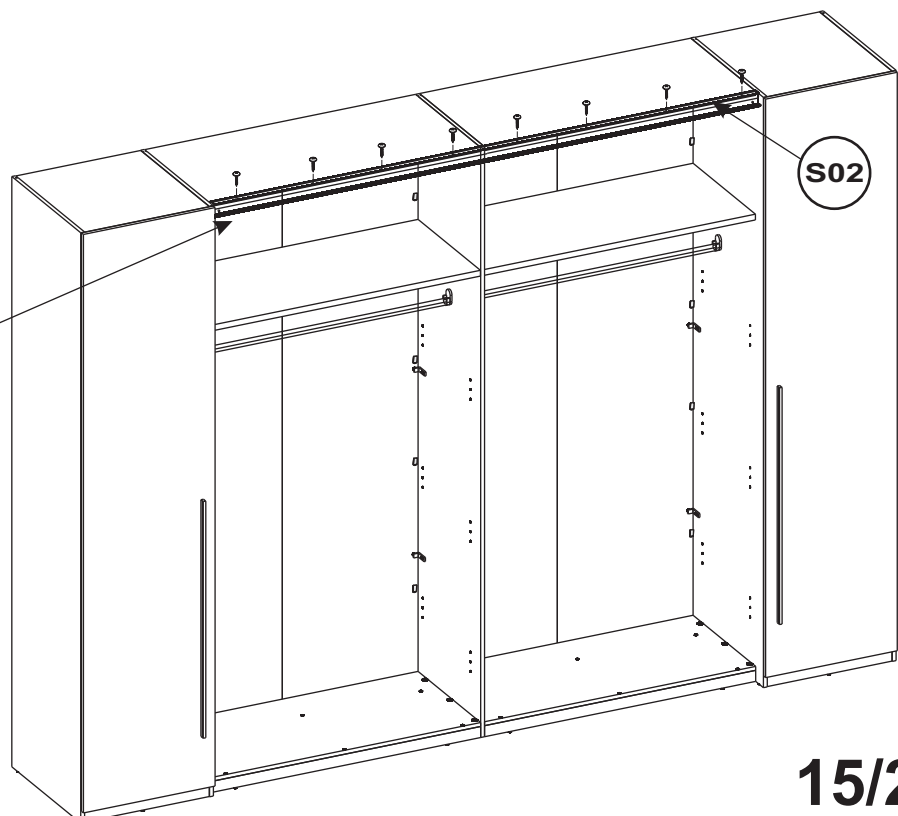


8x W05



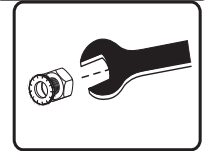
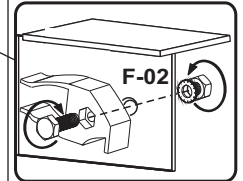
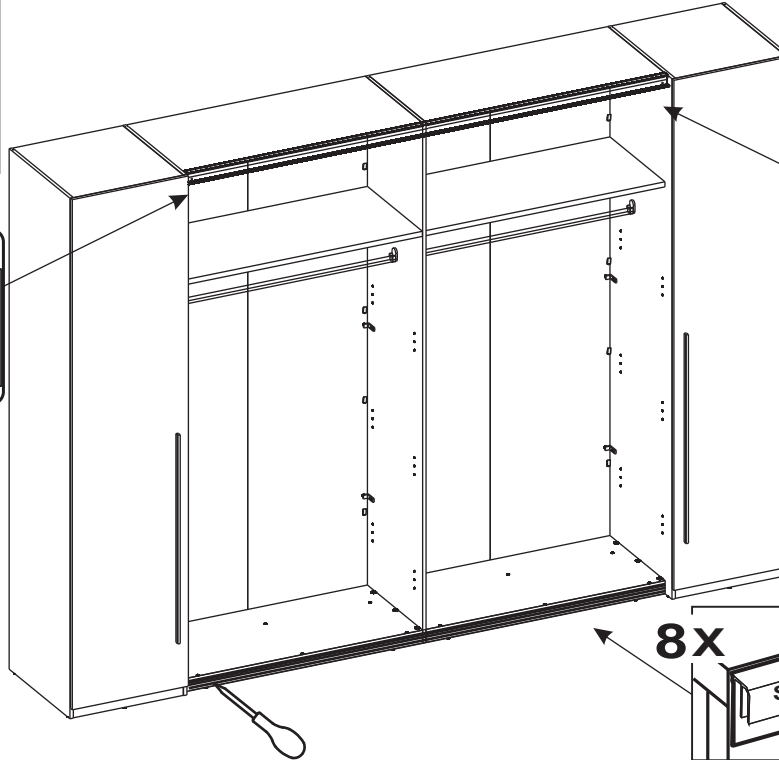
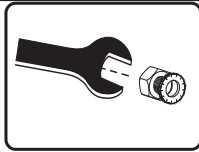
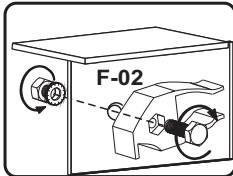
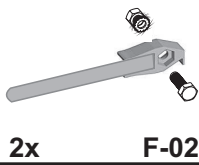
W05

8x

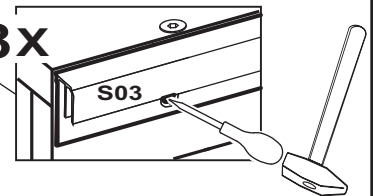


S02

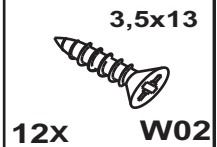
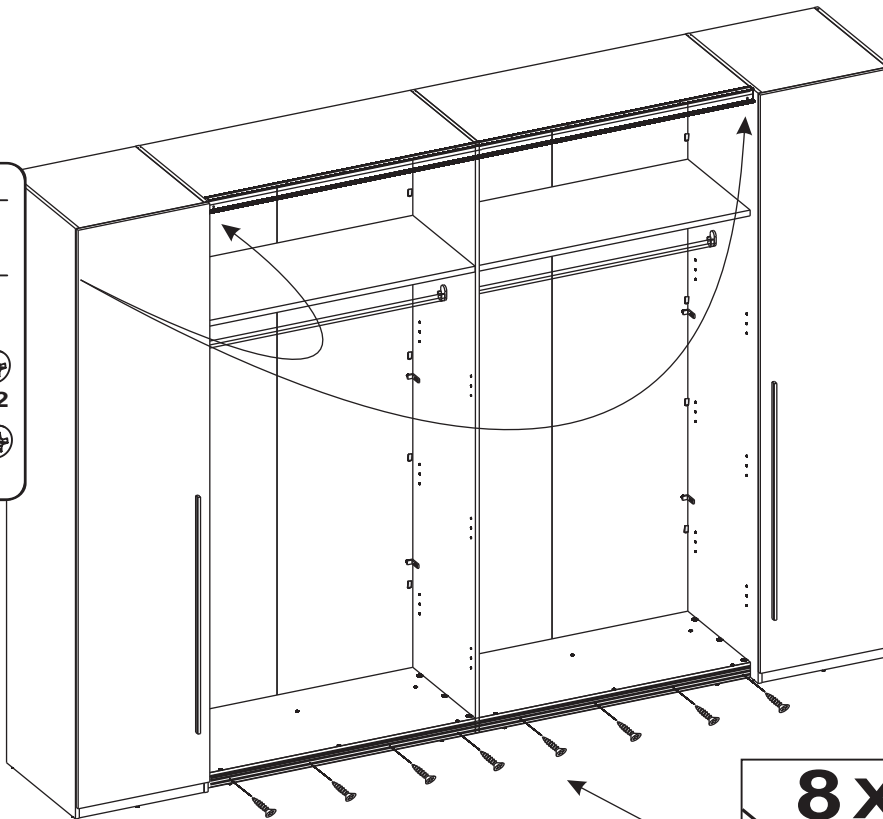
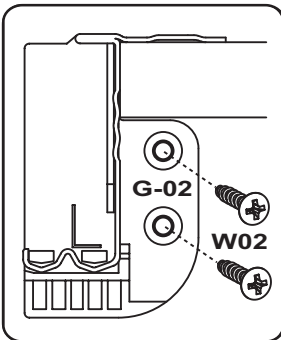
21



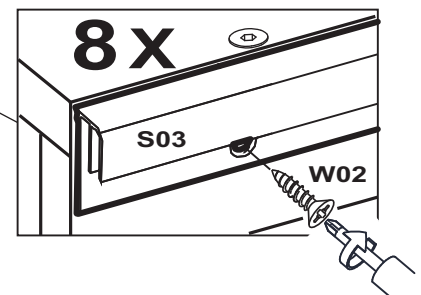
8X








22

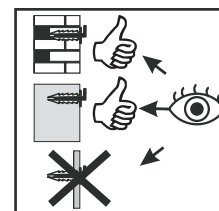
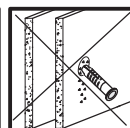
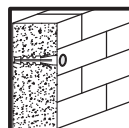
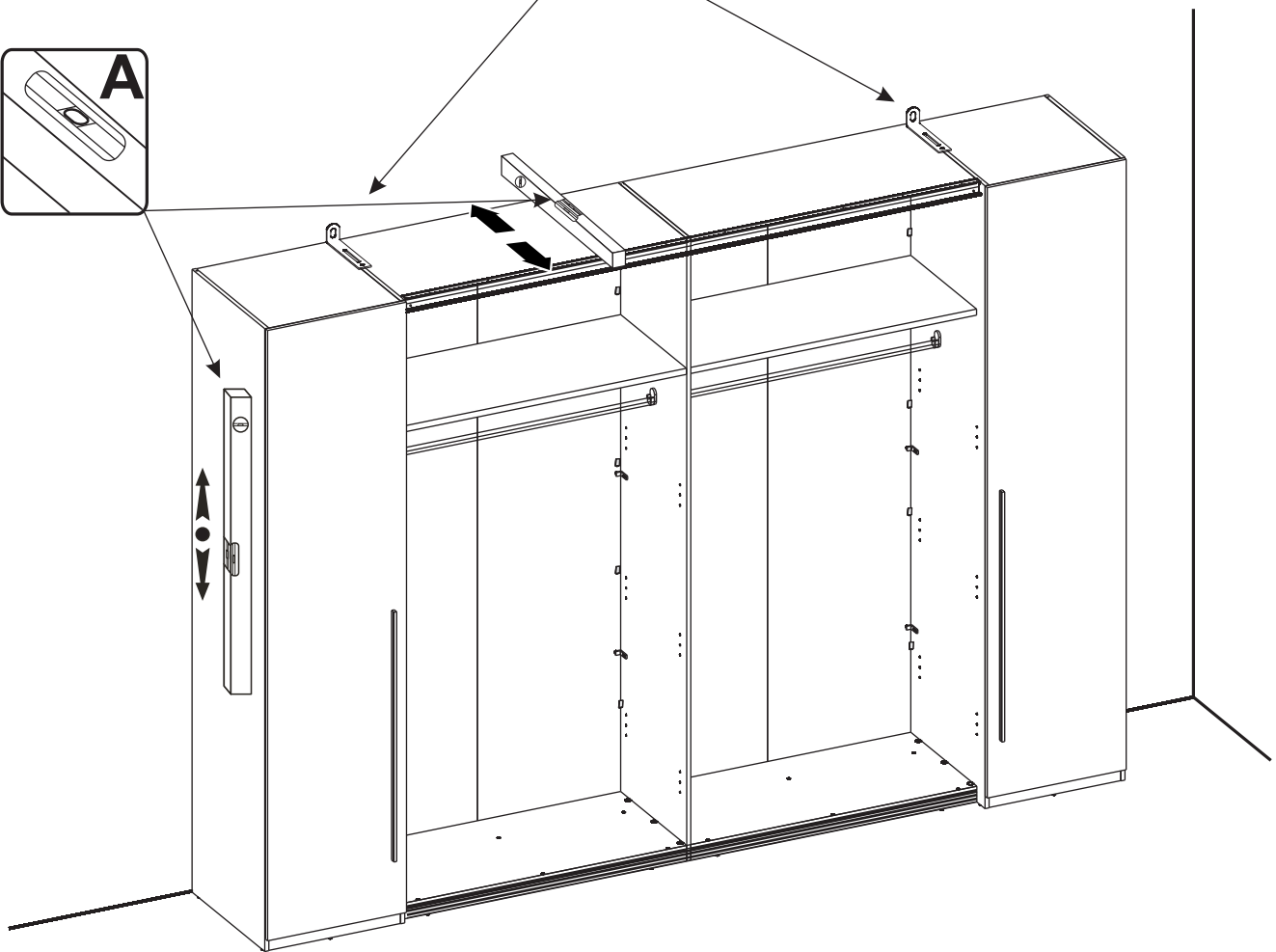
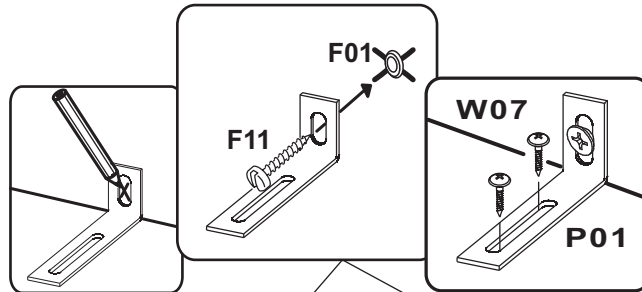


8X



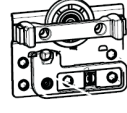
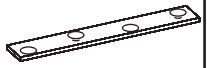


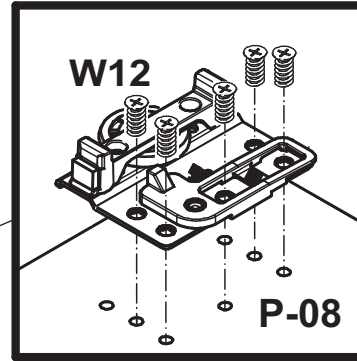
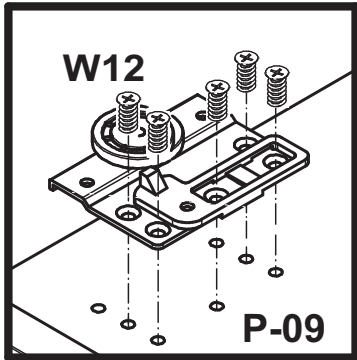
23



 4x13	 W07	 P01	 F11	 F01			
4x	W07	2x	P01	2x	F11	2x	F01

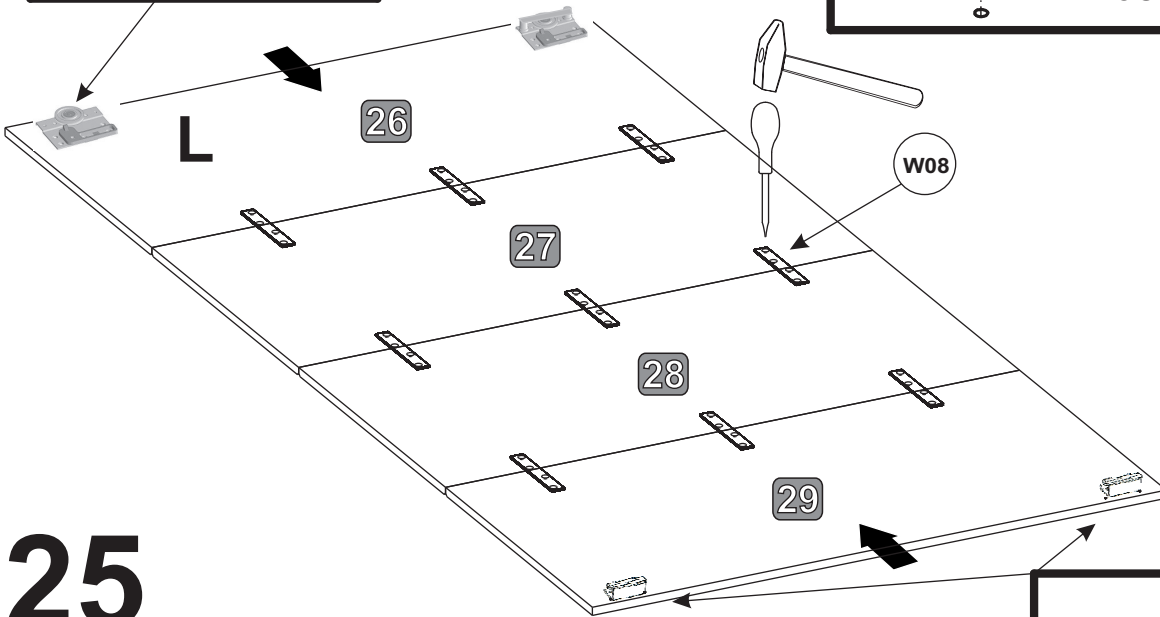


24

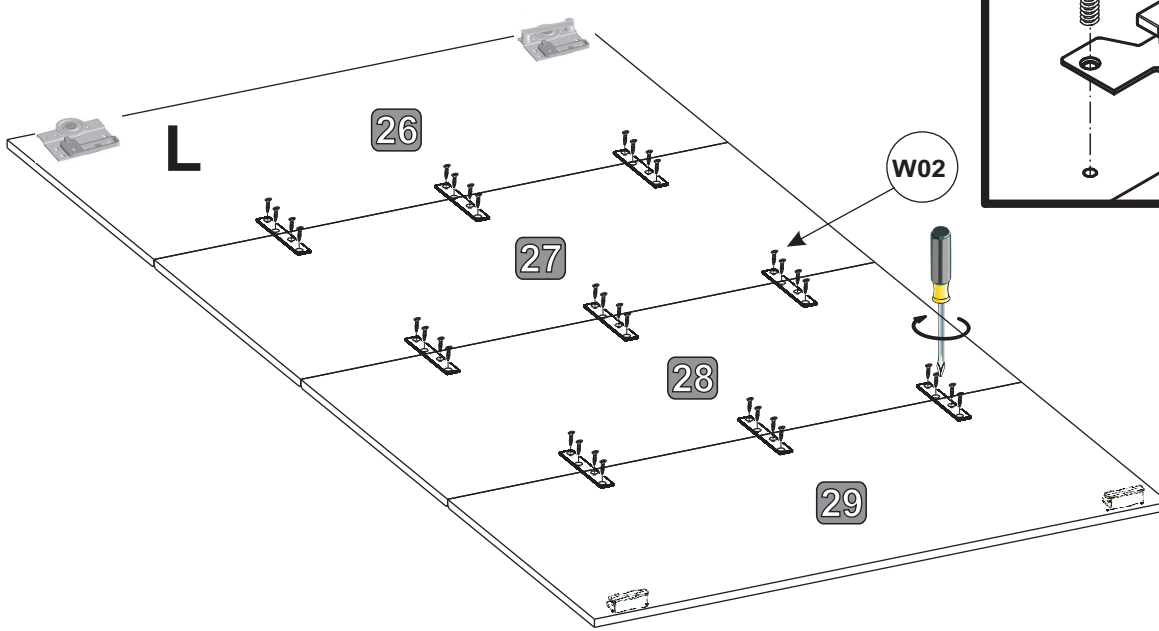
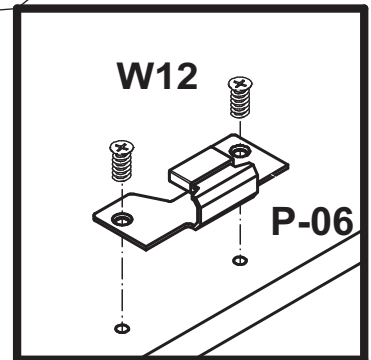
 1x P-09	 2x P-06	 1x P-08	 9x W08
--	---	--	---



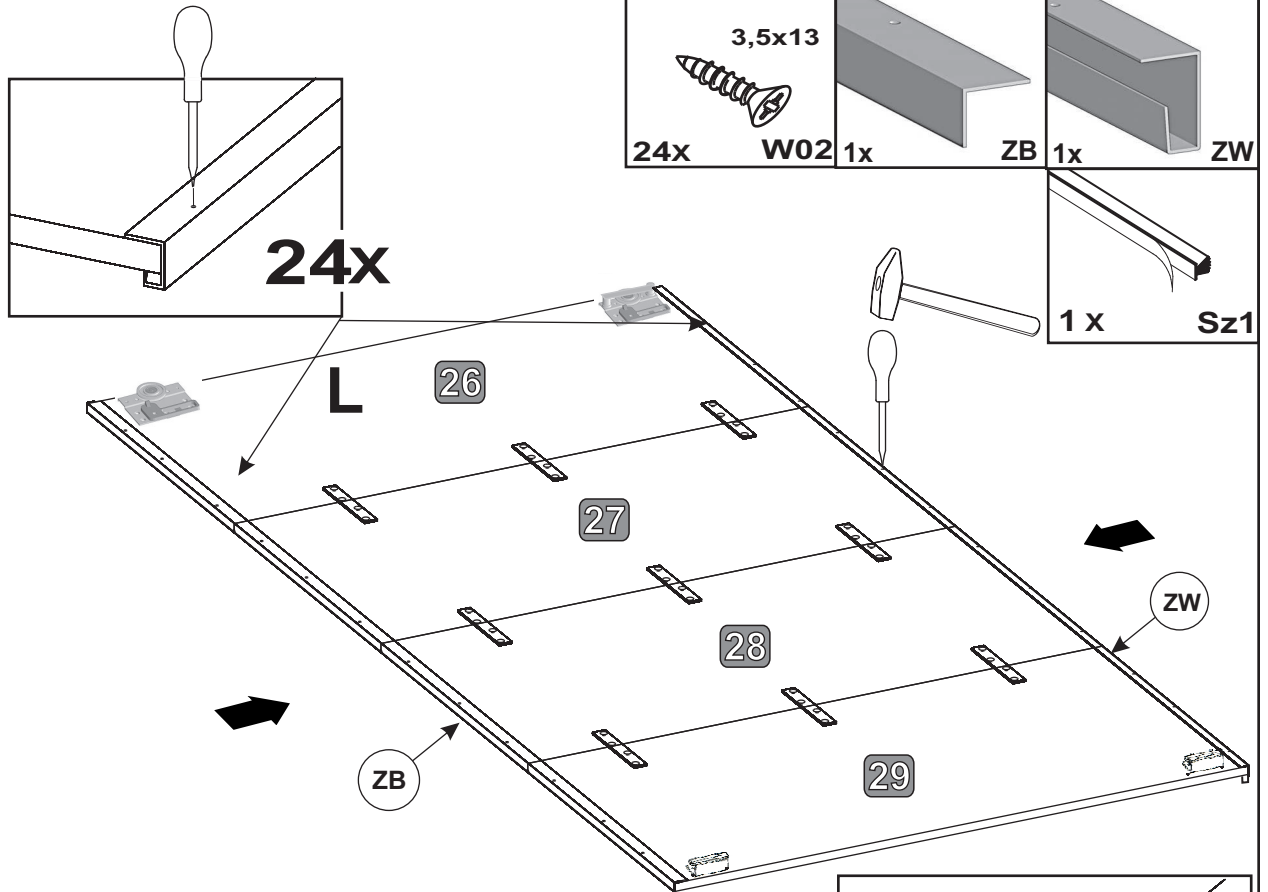
 3,5x13 36x W02	 6x11 14x W12
--	--



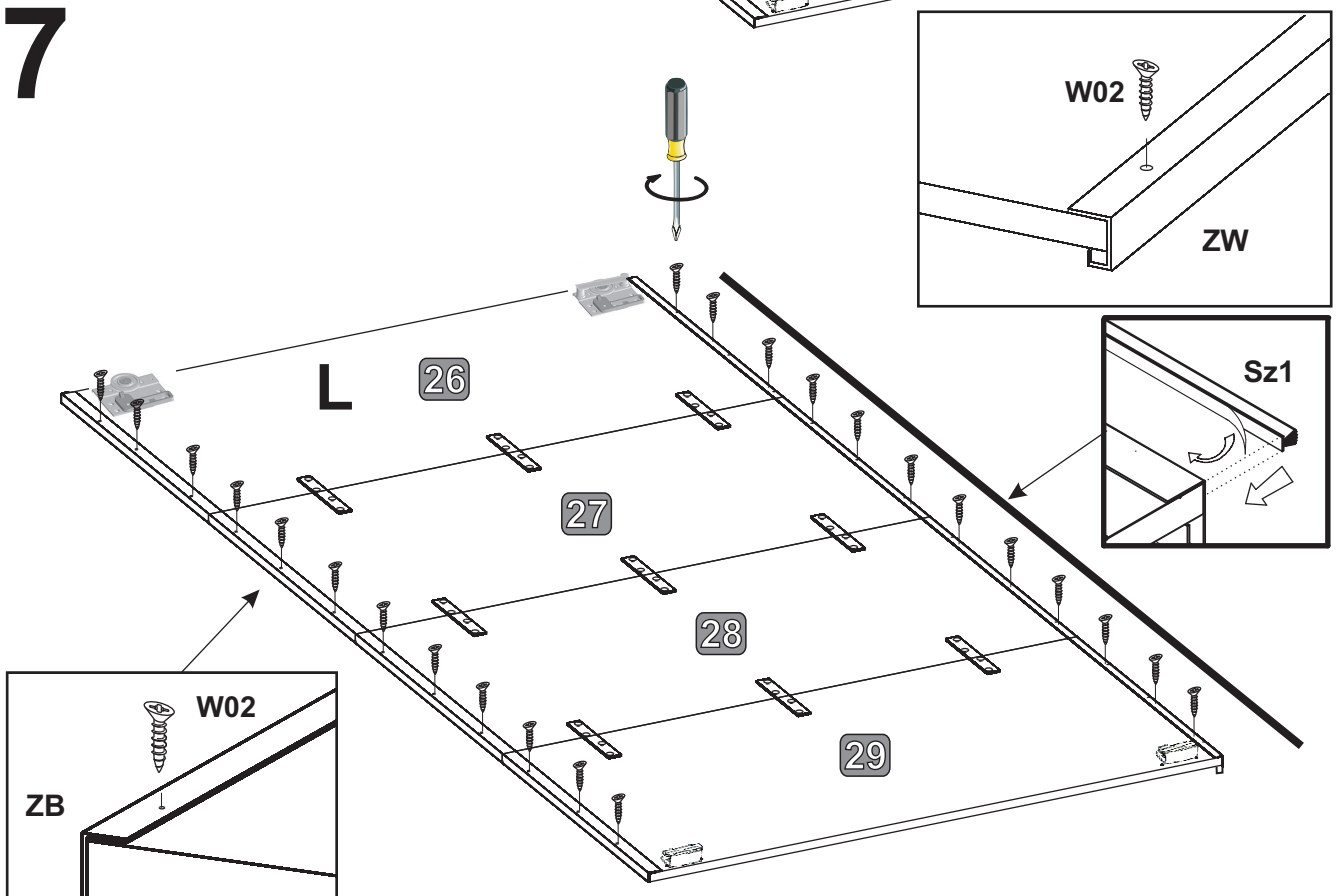
25



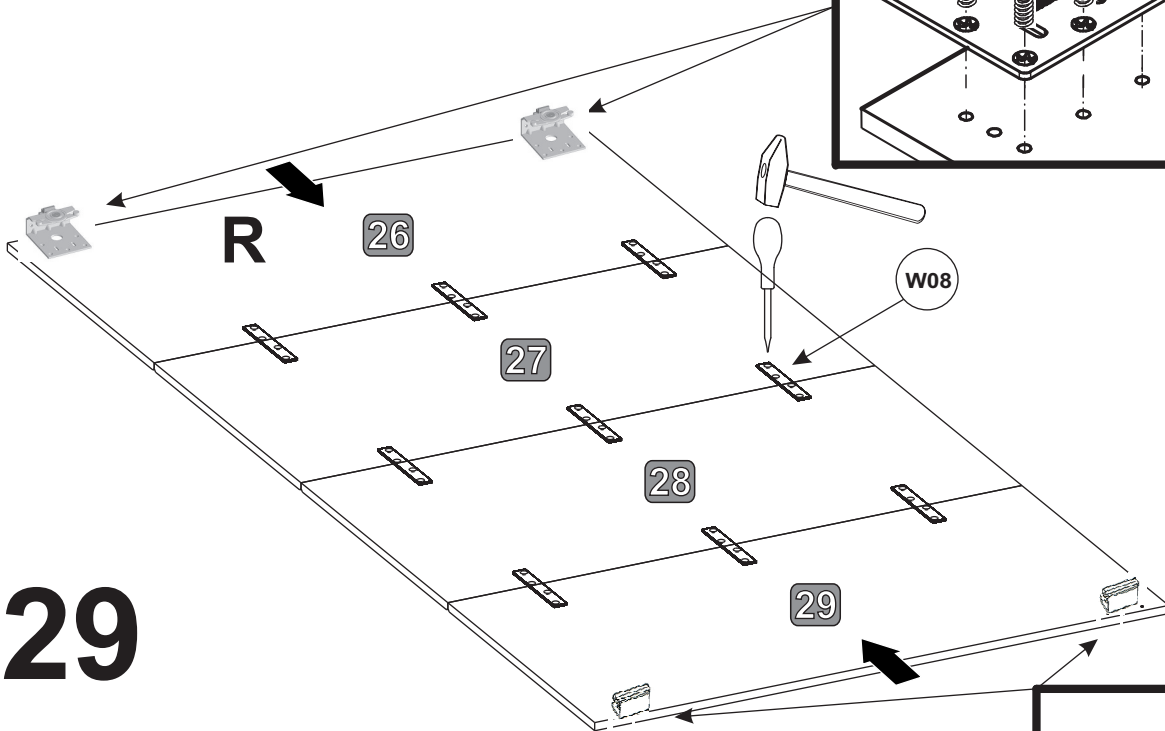
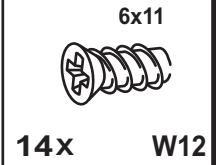
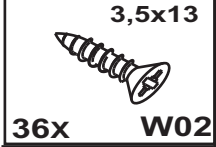
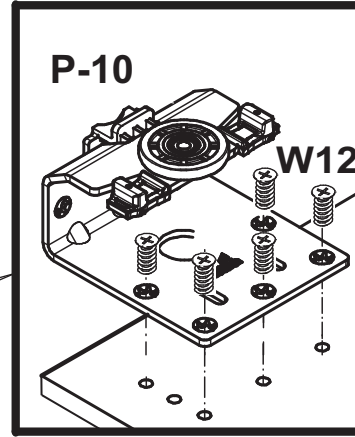
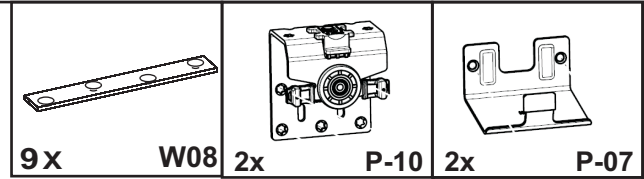
26



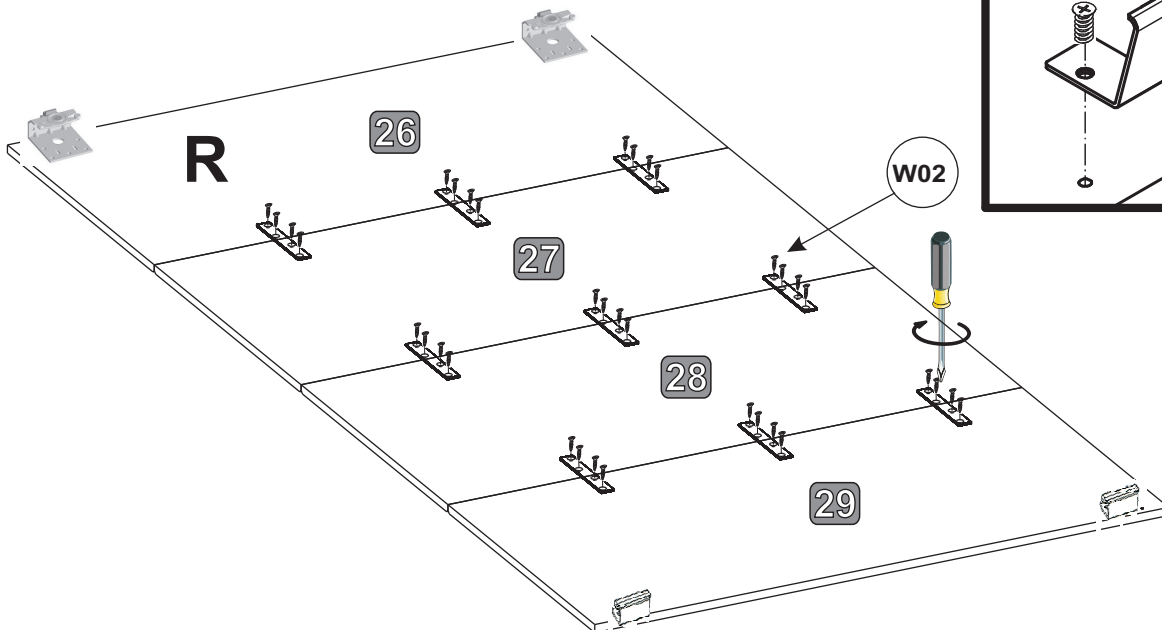
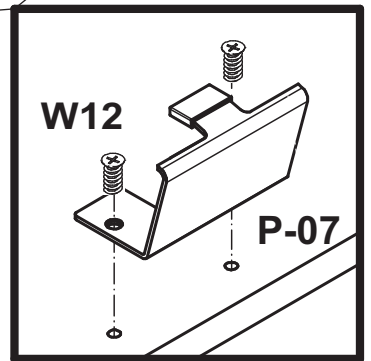
27



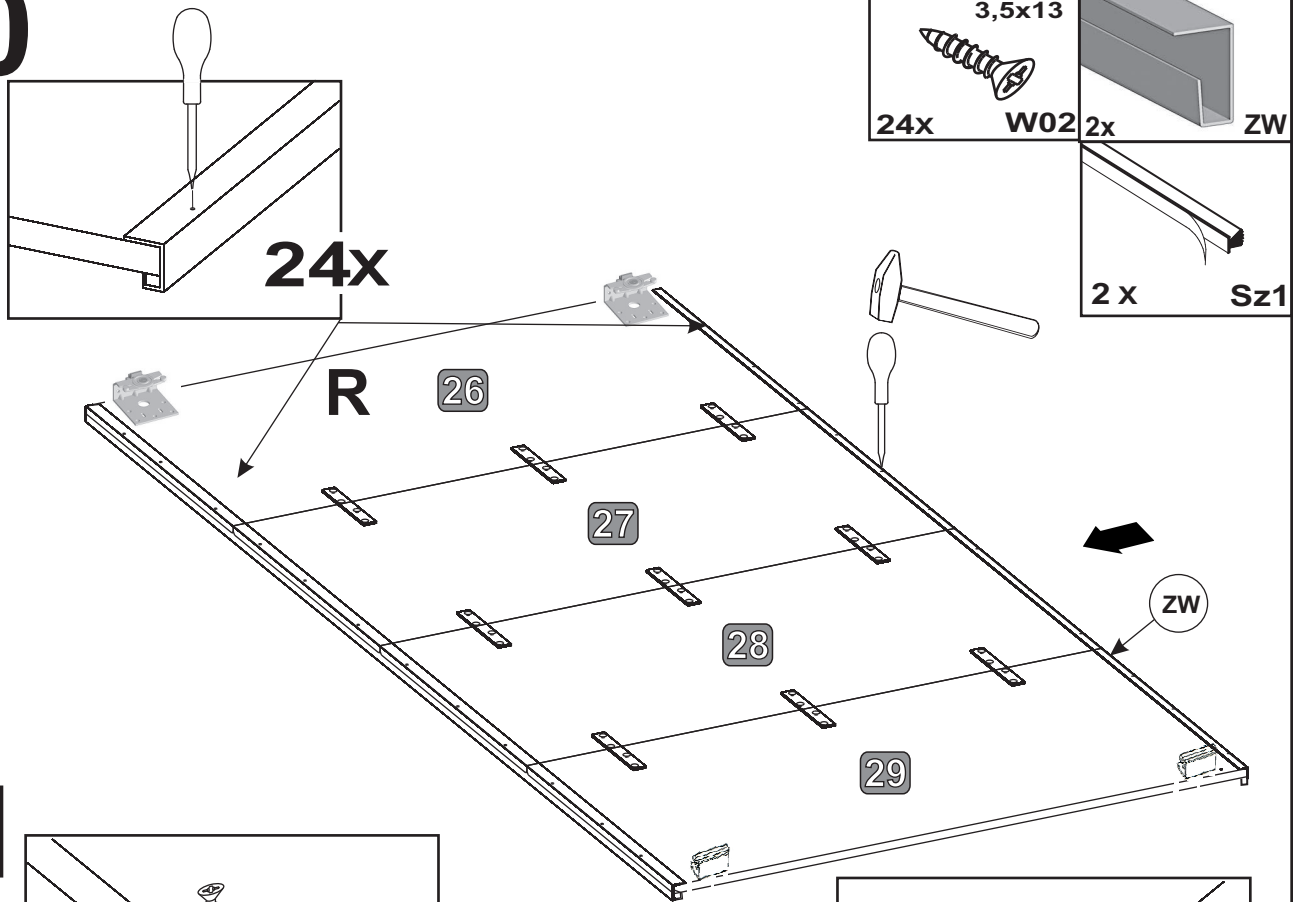
28



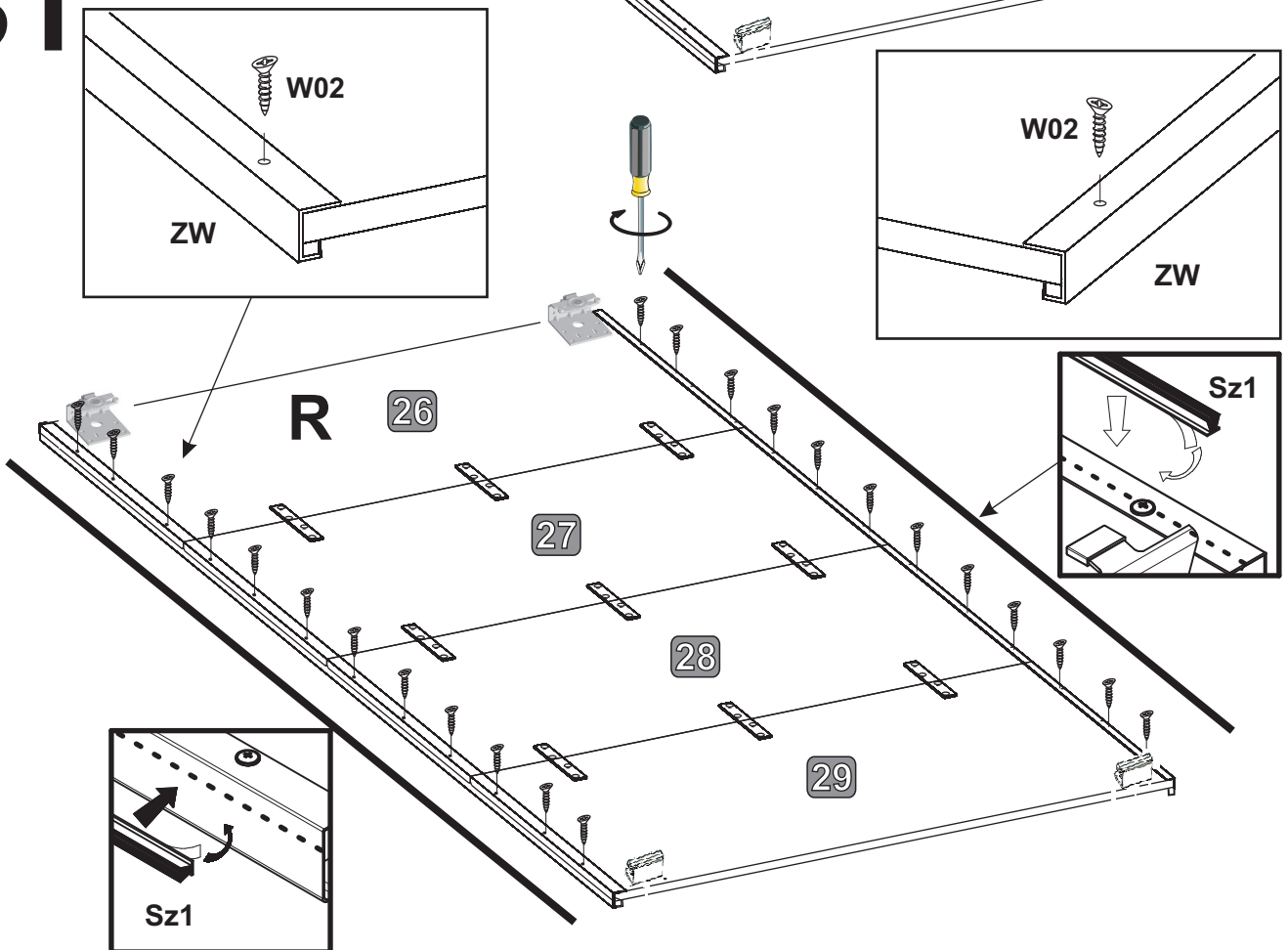
29



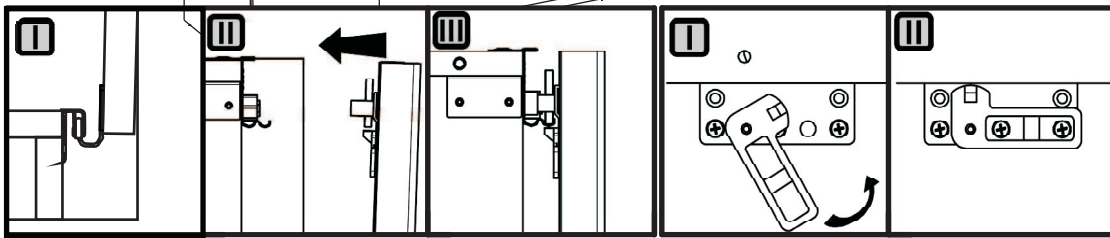
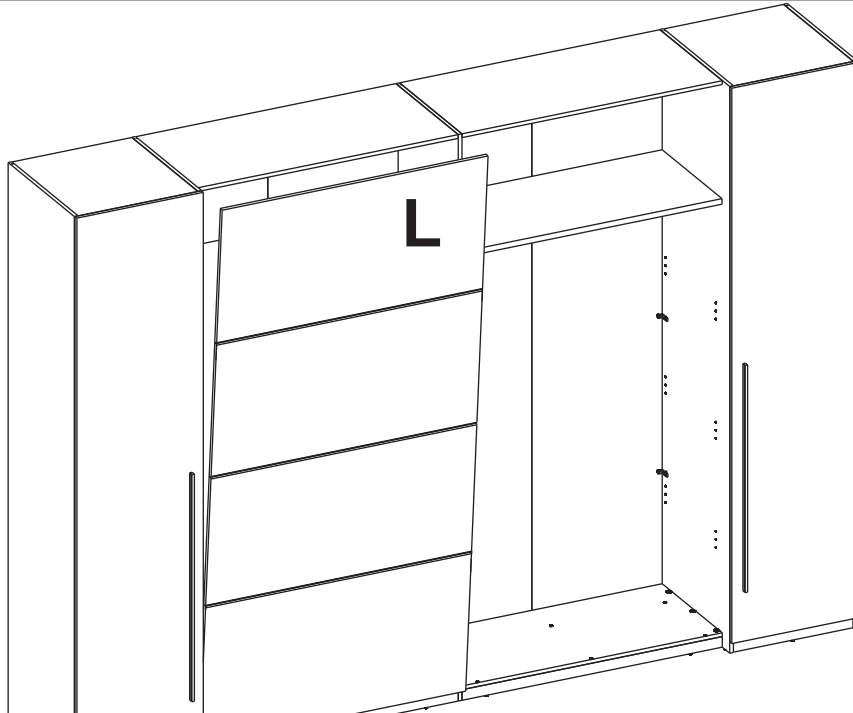
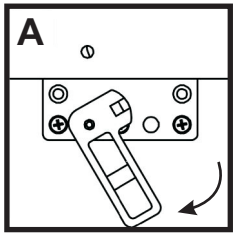
30



31



32



33

