

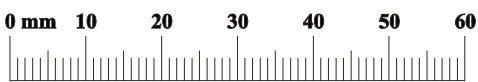
1/5				
	B	H	T	
1	677	225	16	x4
5	624	125	16	x4
9	891	463	16	x1
20	438	453	16	x2

2/5				
	B	H	T	
2	140	400	16	x4
3	140	400	16	x4
4	638	405	3	x4
13	1378	481	16	x1
14	1378	500	16	x1

3/5				
	B	H	T	
11	1939	481	16	x1
12	1939	481	16	x1
15	1955	906	3	x1
16	1955	453	3	x1

4/5				
	B	H	T	
6	1489	463	16	x1
7	434	463	16	x1
8	1345	463	16	x1
10	438	463	16	x1

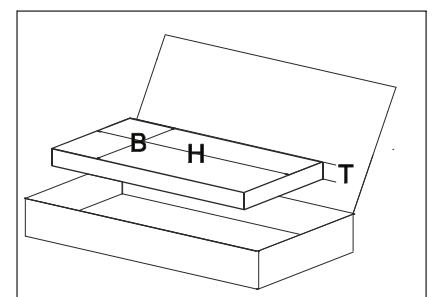
5/5				
	B	H	T	
17	1492	450	16	x1
19	1492	450	16	x2



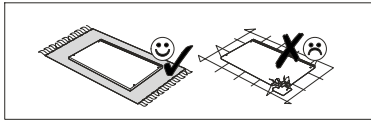
W6 5	W4 18	W1 56	W11 41	ZM1A 22	TPP3 2	ZM1B 18
KRW1 2	KT1 48	KM1 8	KD2 2	K1 14	ZP1 9	KK1 1
ZM1 16	ZK 6	WDS2 4	SS3 5	S1 22	PL1 8	UD1 2
WU 14	U80 7	KS1 2	ZW5 6	PP 8	OS1 14	

L-400 PQ5 x4	L-400 PQ6 x4

DR886 1



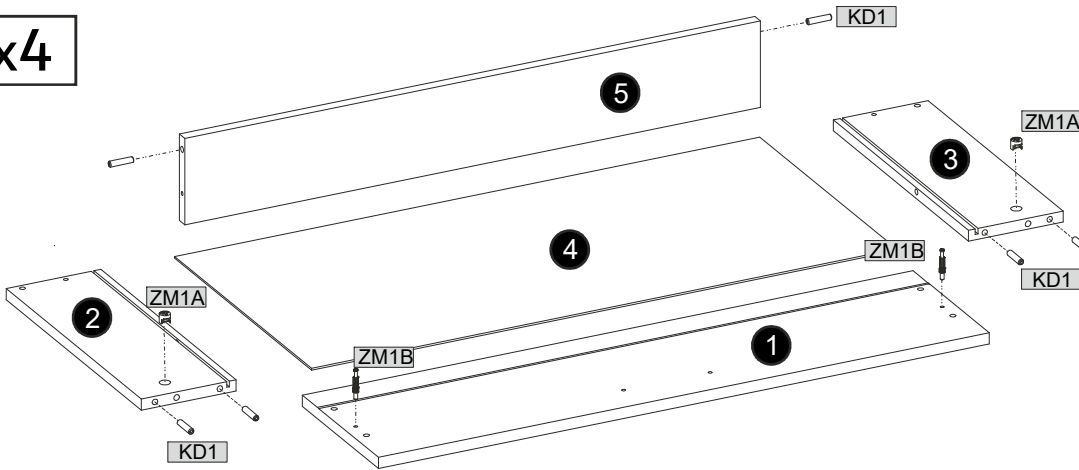
01



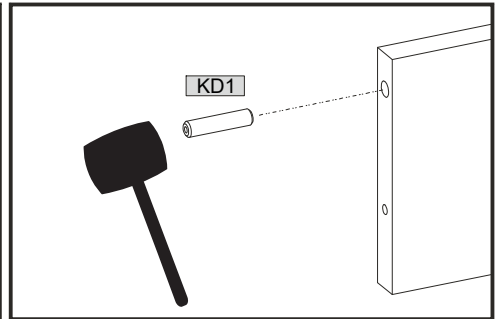
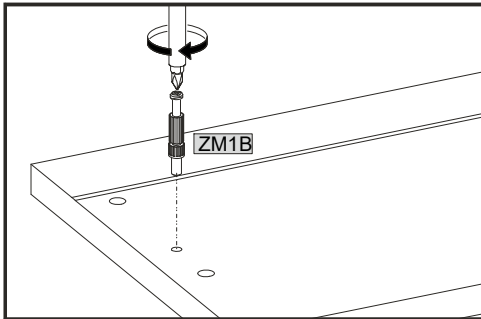
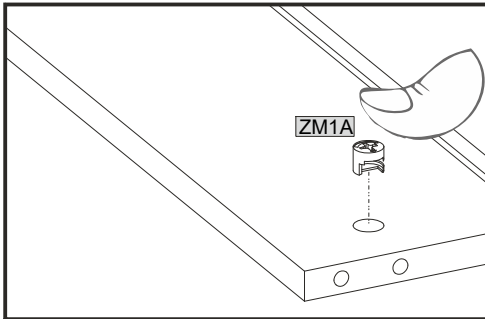
8x35		8x35		8x35	
KD1	6	ZM1B	2	ZM1A	2

1/5					
	B	H	T		
1	677	225	16	x4	
5	624	125	16	x4	
9	891	463	16	x1	
20	438	453	16	x2	

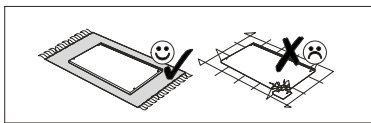
x4



2/5					
	B	H	T		
2	140	400	16	x4	
3	140	400	16	x4	
4	638	405	3	x4	
13	1378	481	16	x1	
14	1378	500	16	x1	

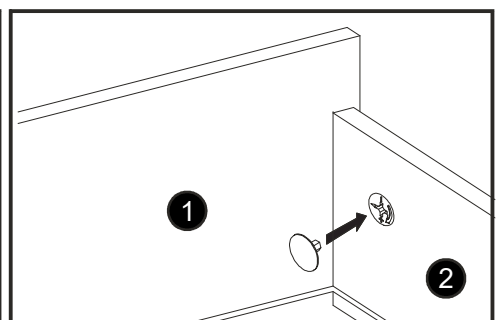
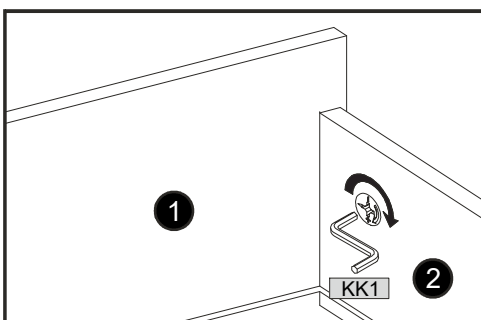
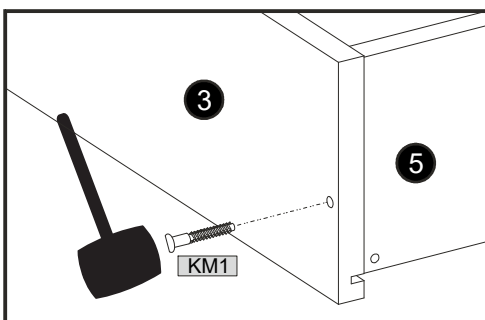
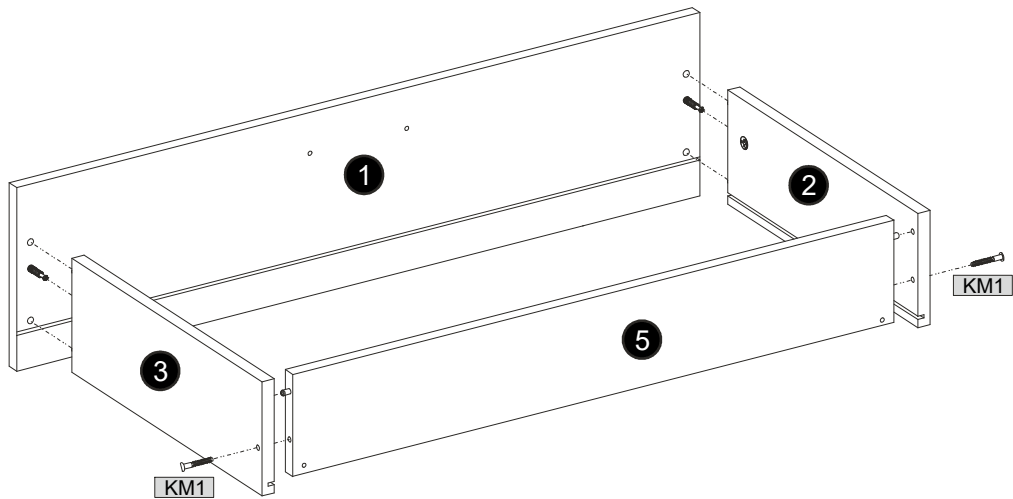


02



5x42		5x42		5x42	
KM1	2	KK1	1	ZM1	2

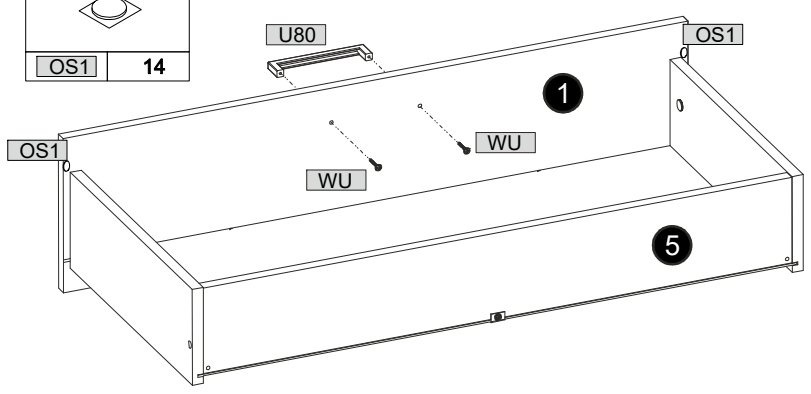
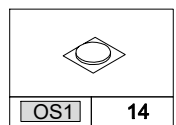
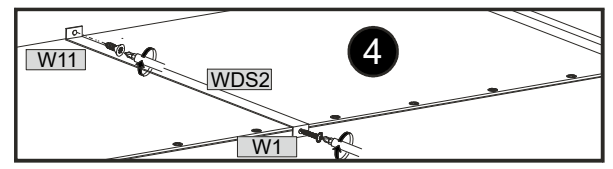
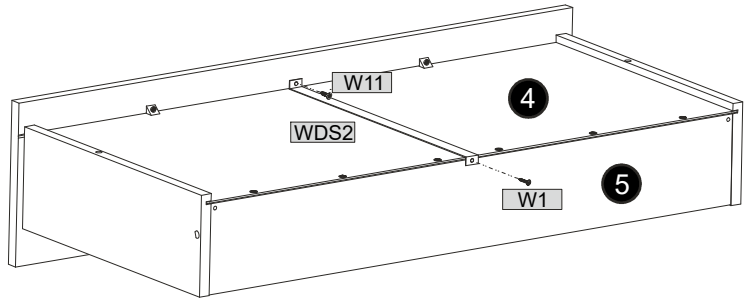
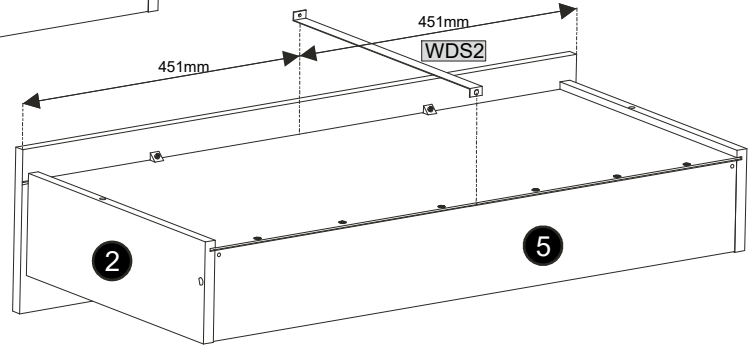
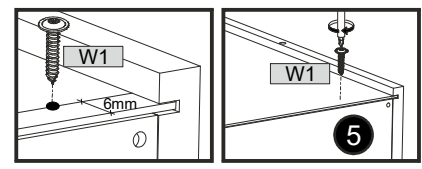
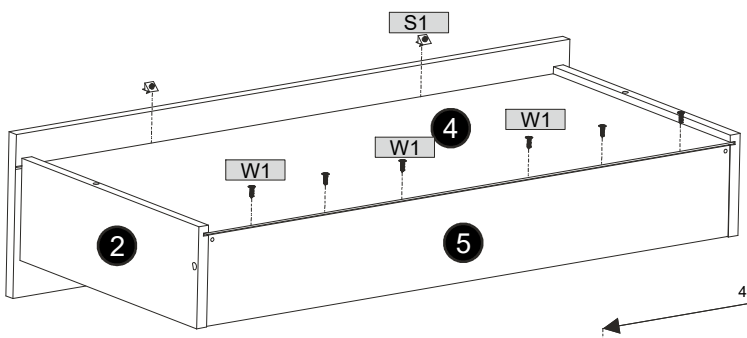
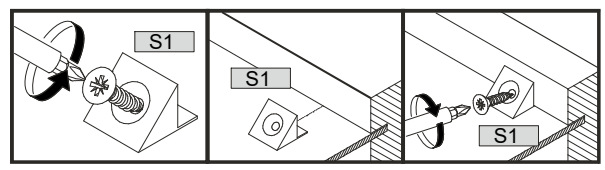
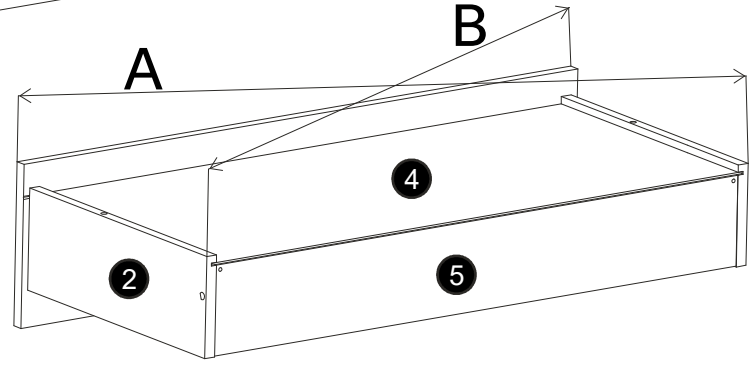
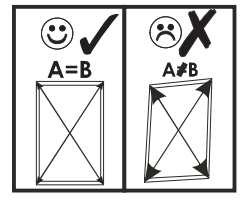
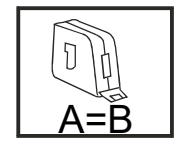
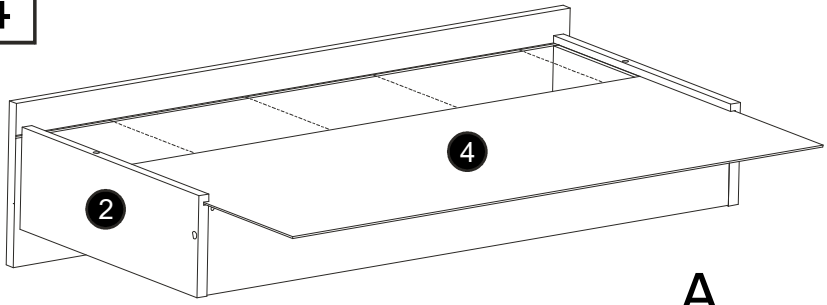
x4



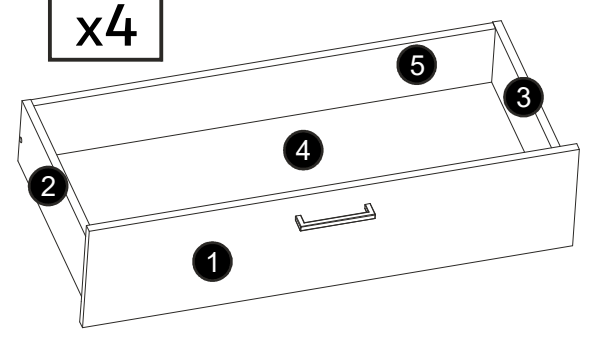
03

W1	7	S1	2	WDS2	1	W11	1	U80	1	WU	2

x4

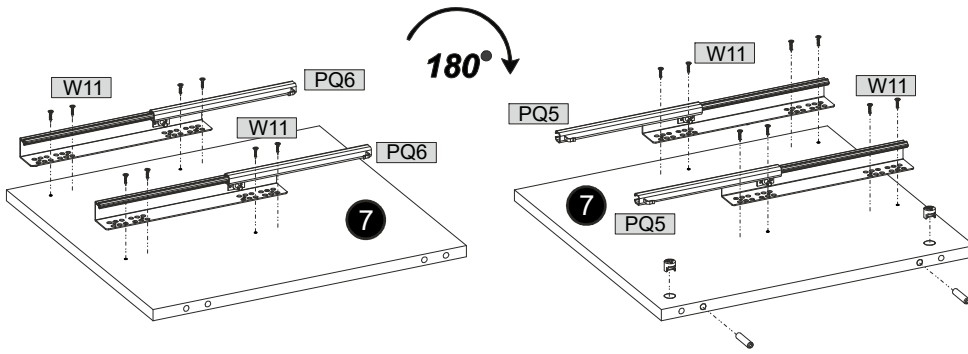


x4

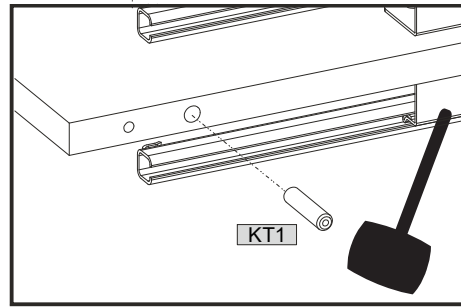
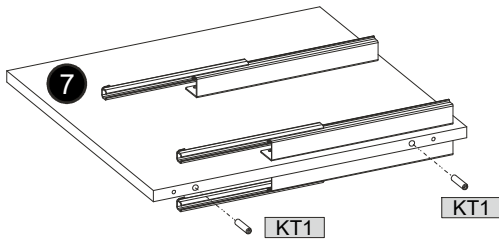
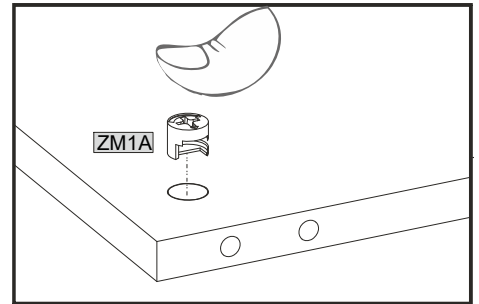
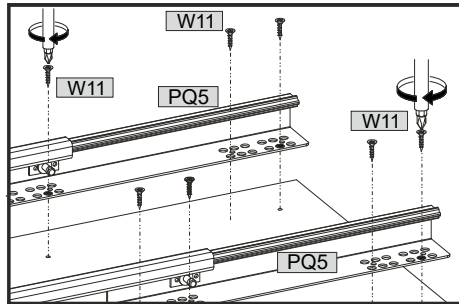
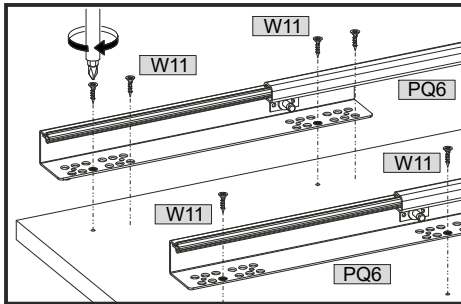


04

PQ5	x2	PQ6	x2	W11	16	ZM1A	2	KT1	4



4/5				
	B	H	T	
6	1489	463	16	x1
7	434	463	16	x1
8	1345	463	16	x1
10	438	463	16	x1

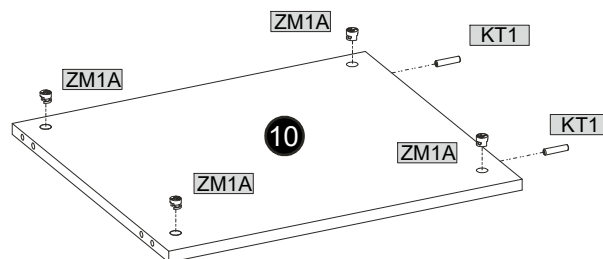
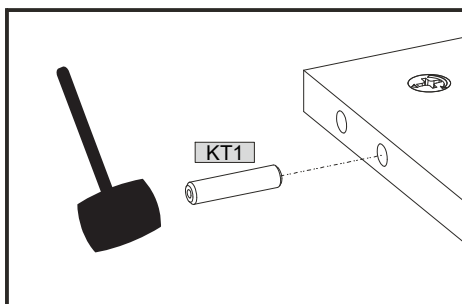
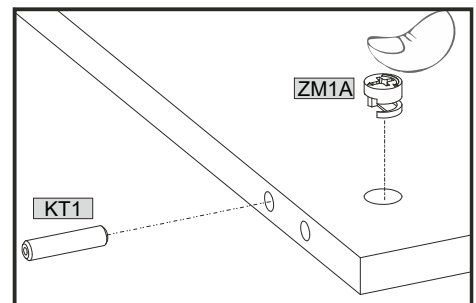
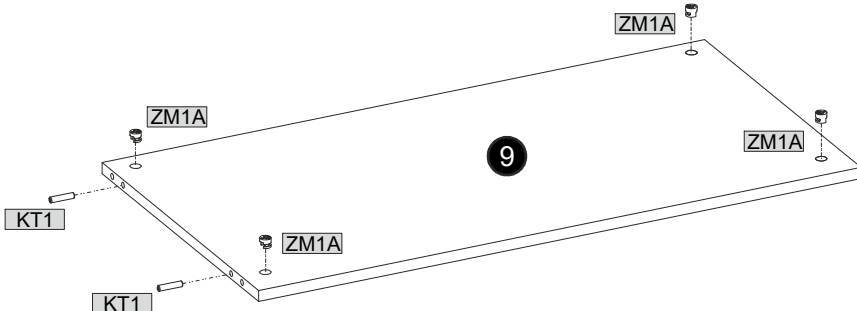


05

ZM1A	8	KT1	4

1/5				
	B	H	T	
9	891	463	16	x1

4/5				
	B	H	T	
10	438	463	16	x1



06

ZM1A	4	KT1	4	ZM1B
			8x35	
				2

1/5

4/5				
	B	H	T	
8	1345	463	16	x1

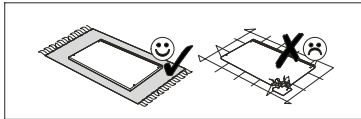
07

PP	4	KT1	4	UD1
			8x35	
				1

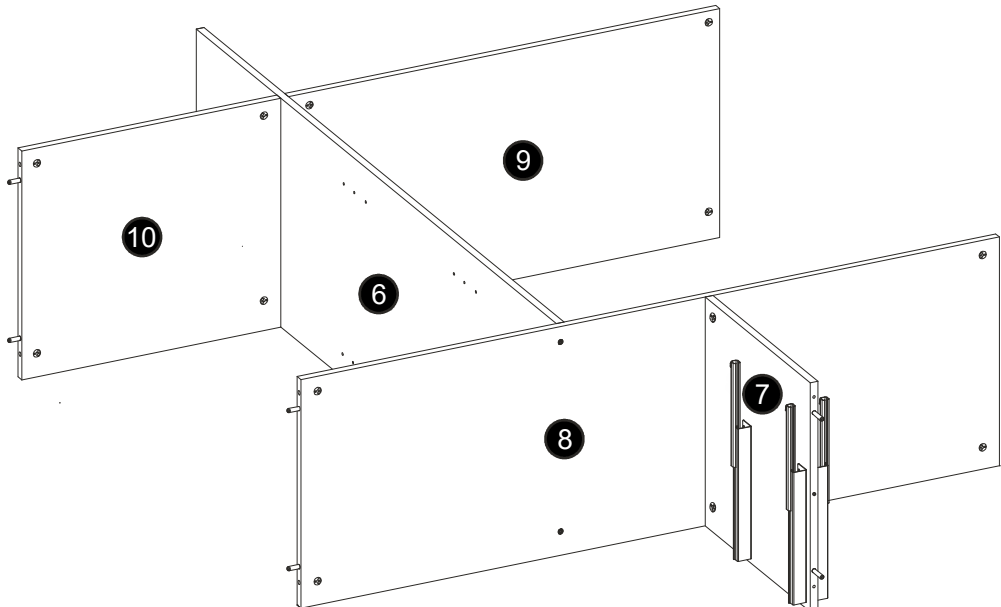
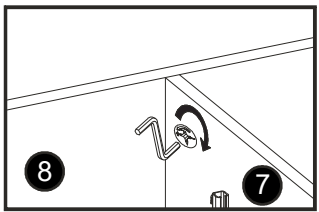
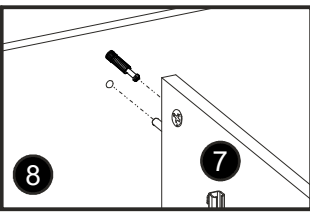
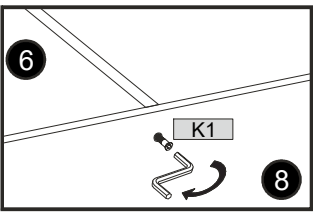
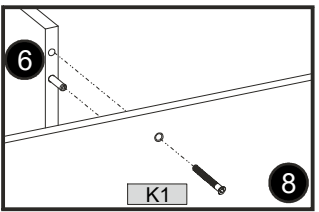
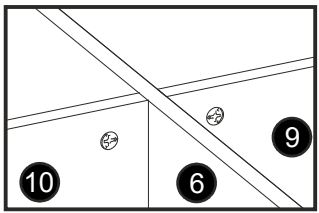
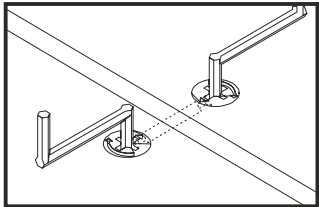
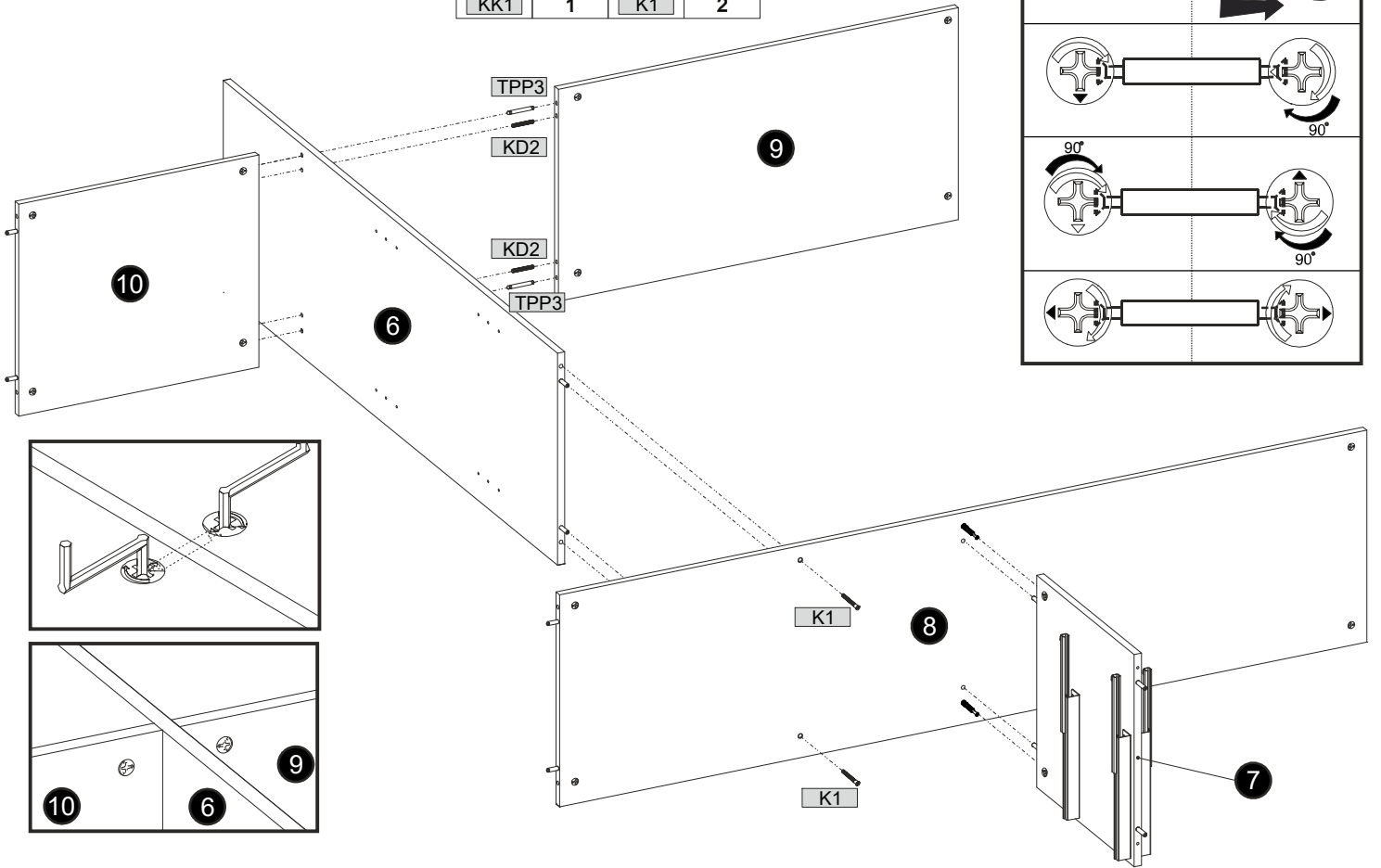
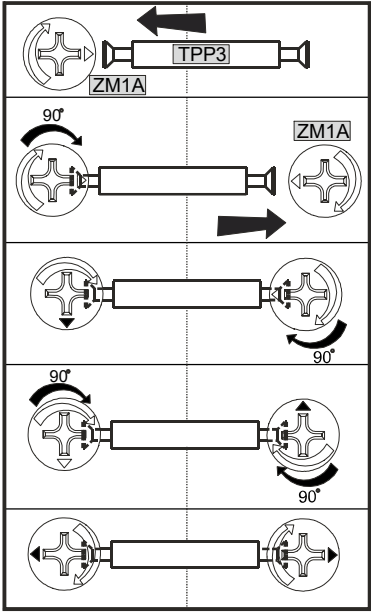
1/5

4/5				
	B	H	T	
6	1489	463	16	x1

08



	7,8x60		L=86
KD2	2	TPP3	2
KK1	1	K1	2



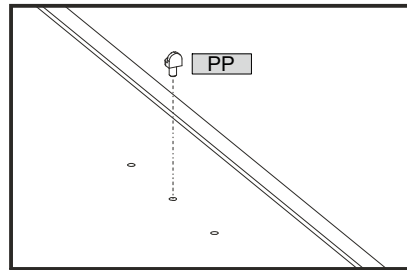
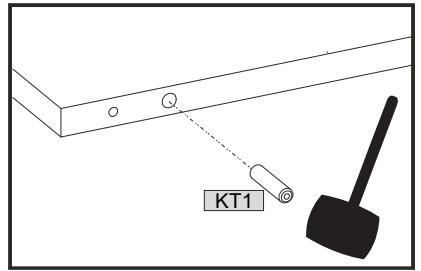
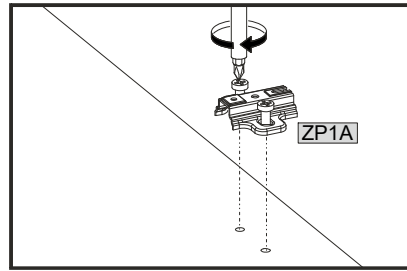
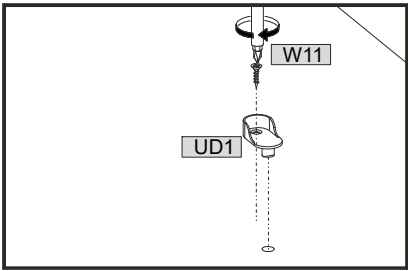
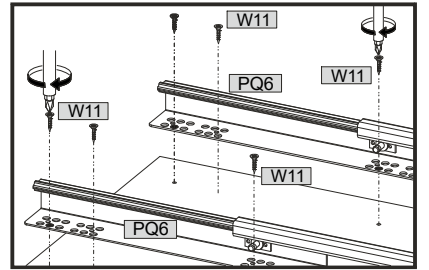
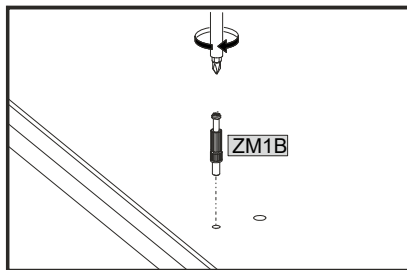
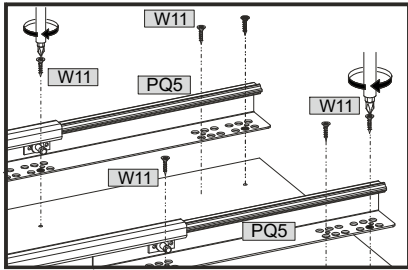
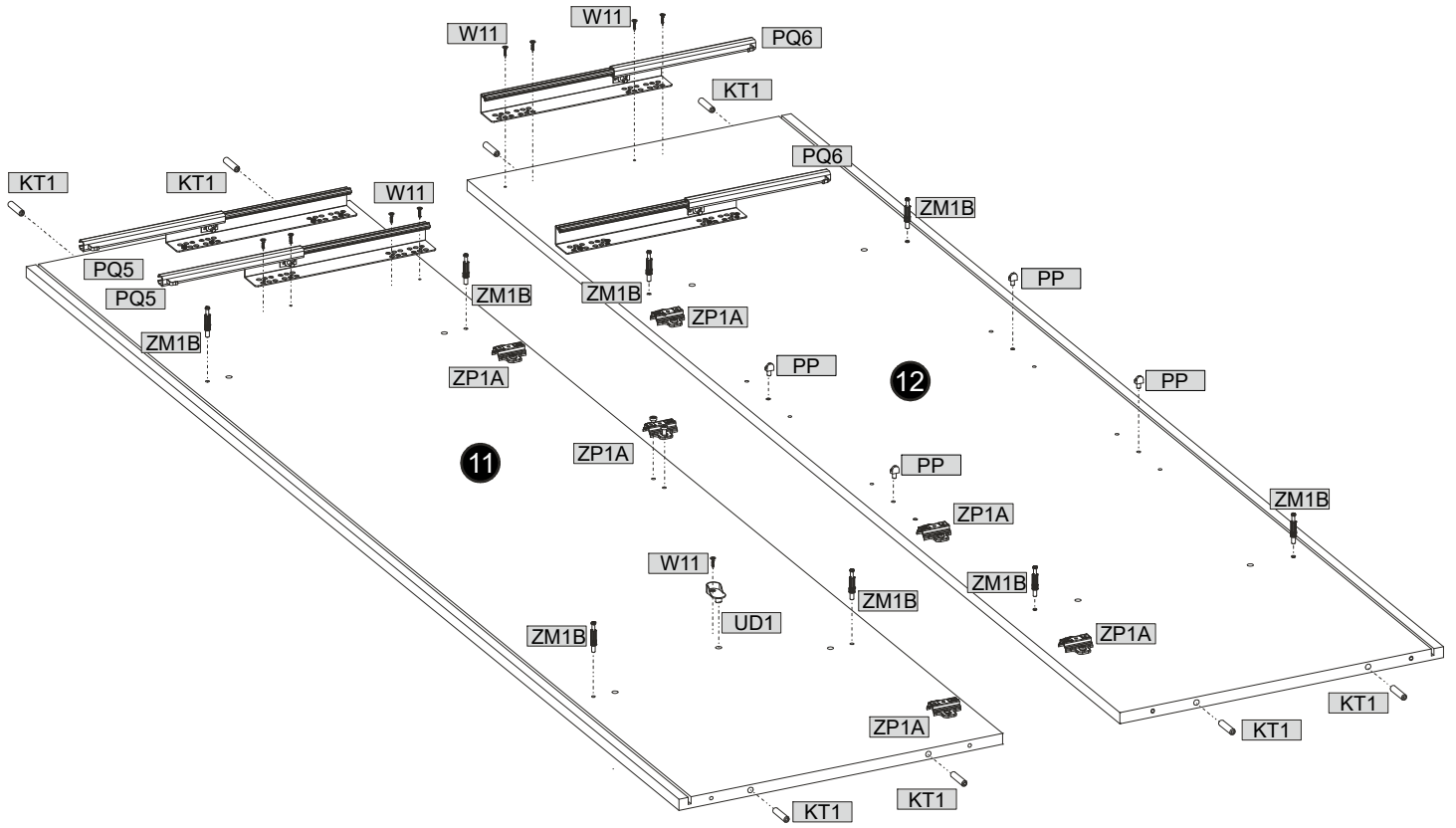
09

	L-400	L-400	3,5x16	
ZP1	ZP1B	ZP1A	ZP1	ZP1A
ZP1	ZM1B	KT1	KT1	UD1
6	8	8	8	1

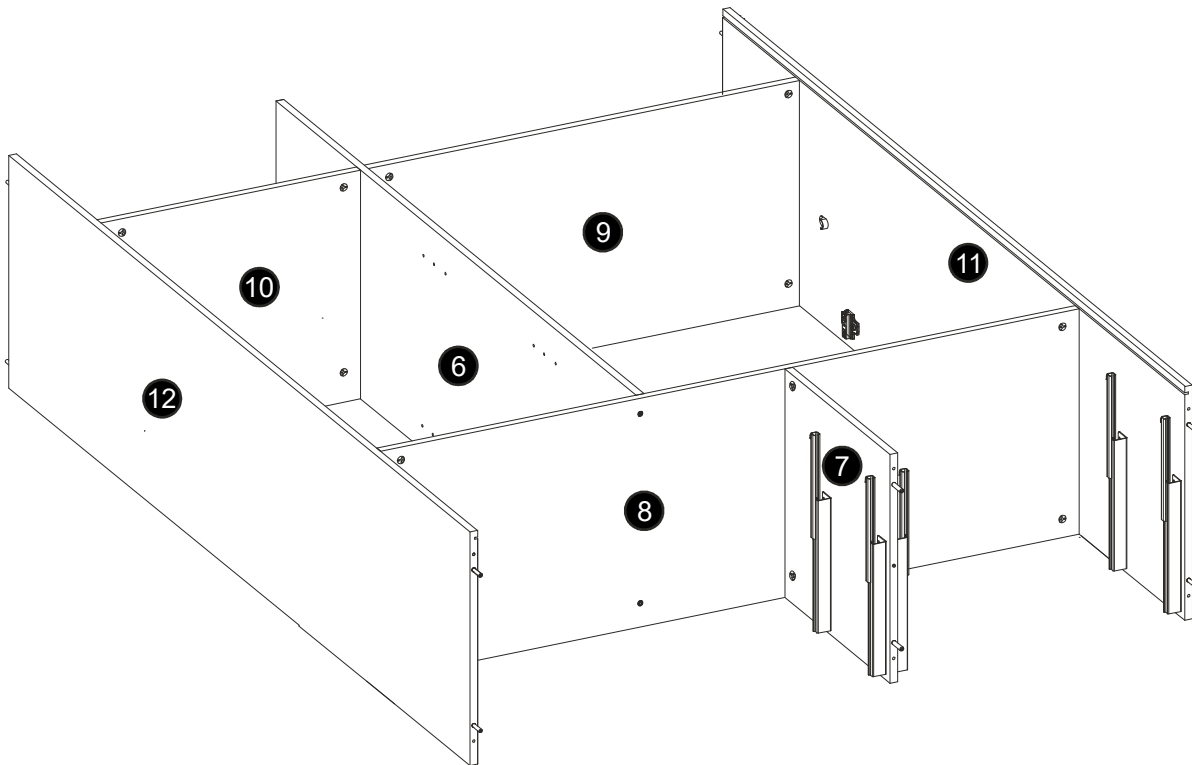
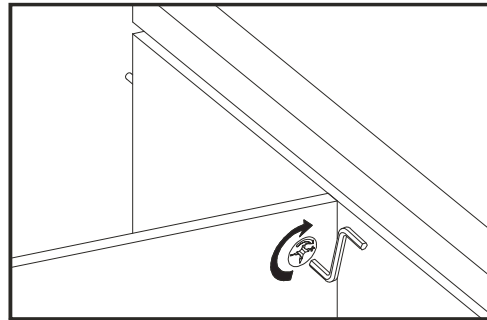
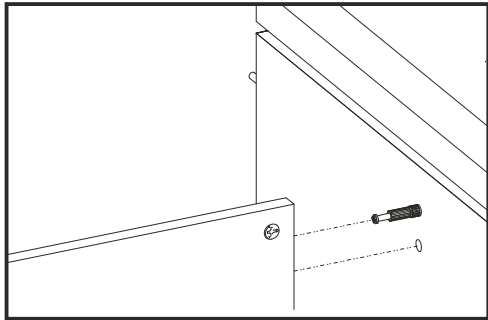
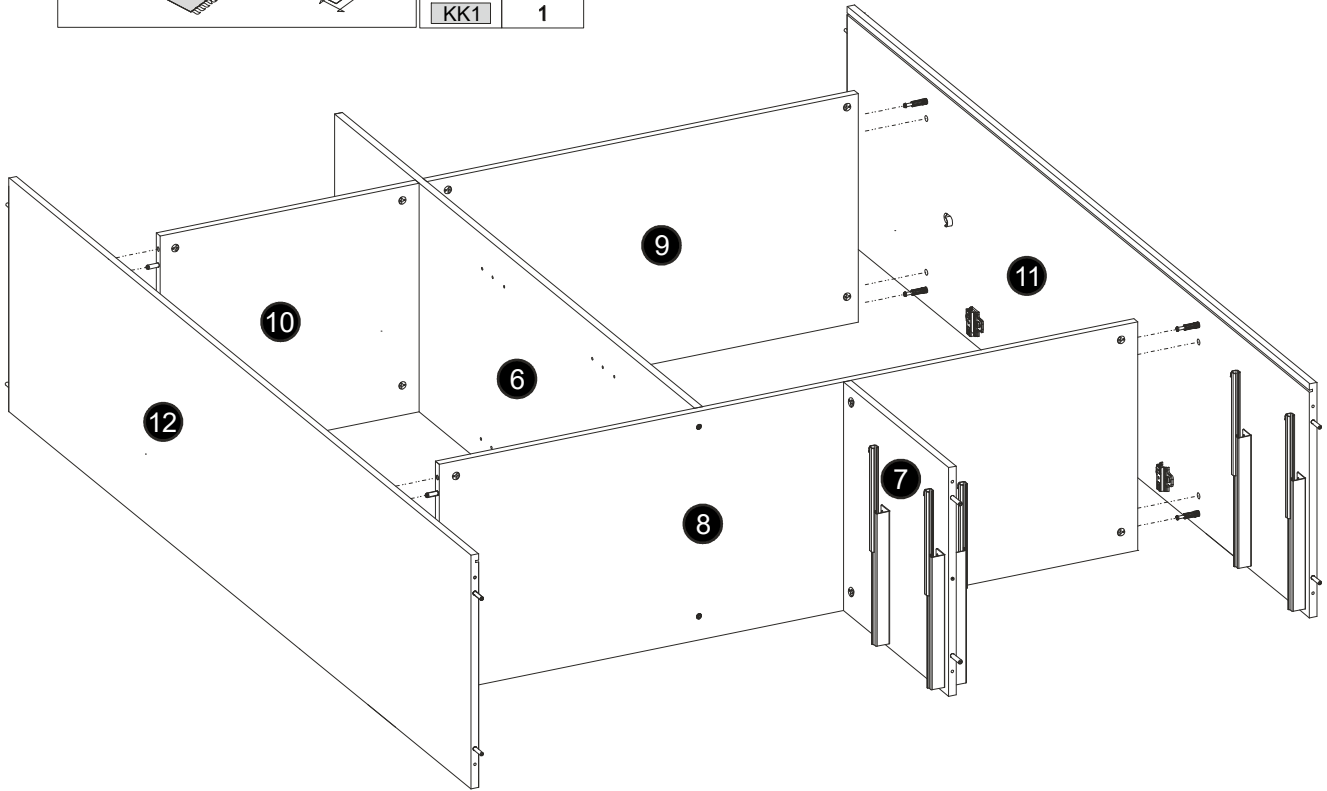
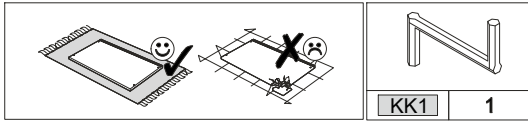
← 1/5

3/5			
	B	H	T
11	1939	481	16 x1
12	1939	481	16 x1

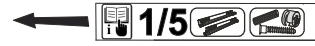
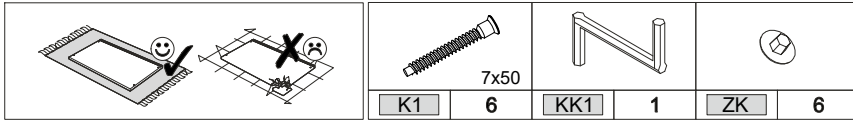
← 12



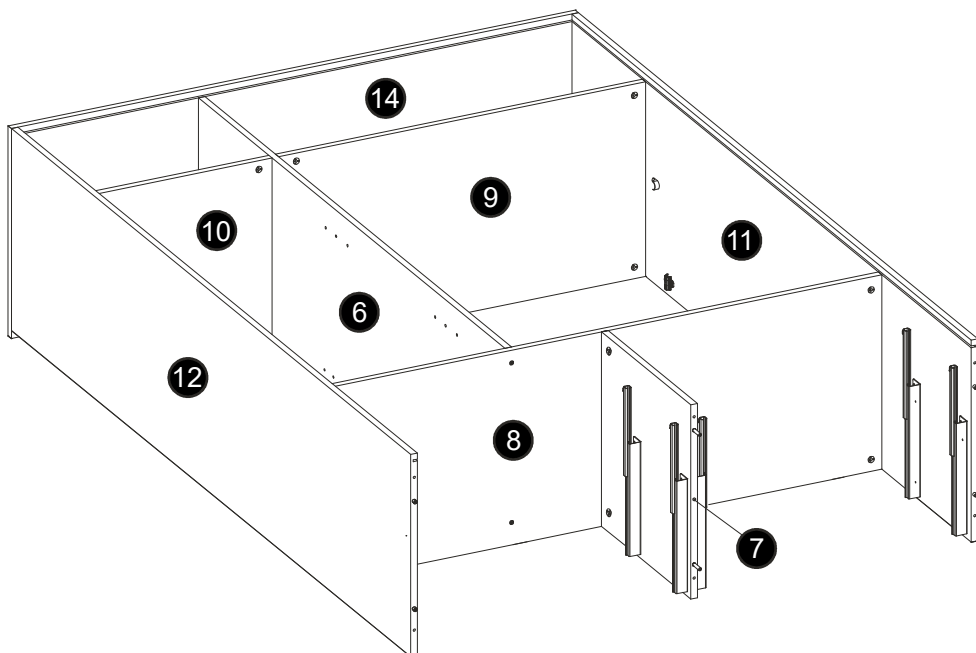
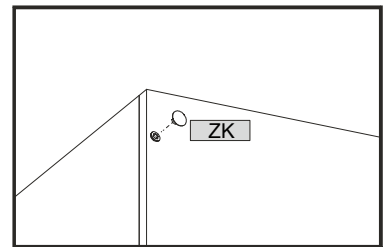
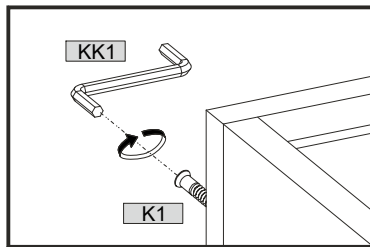
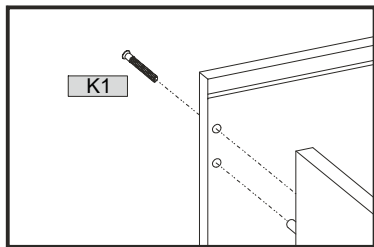
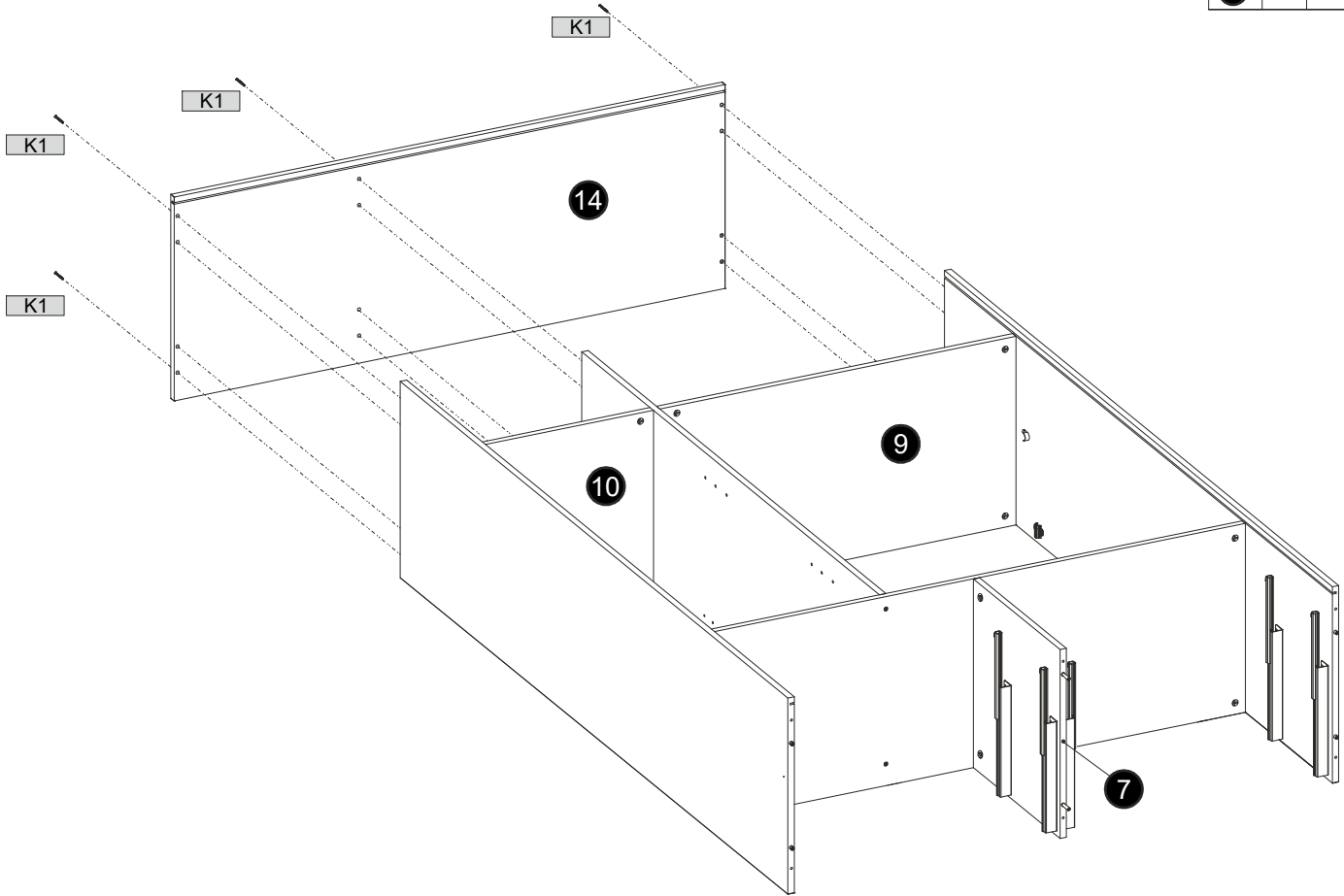
10



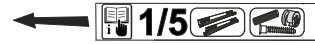
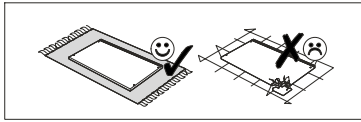
11



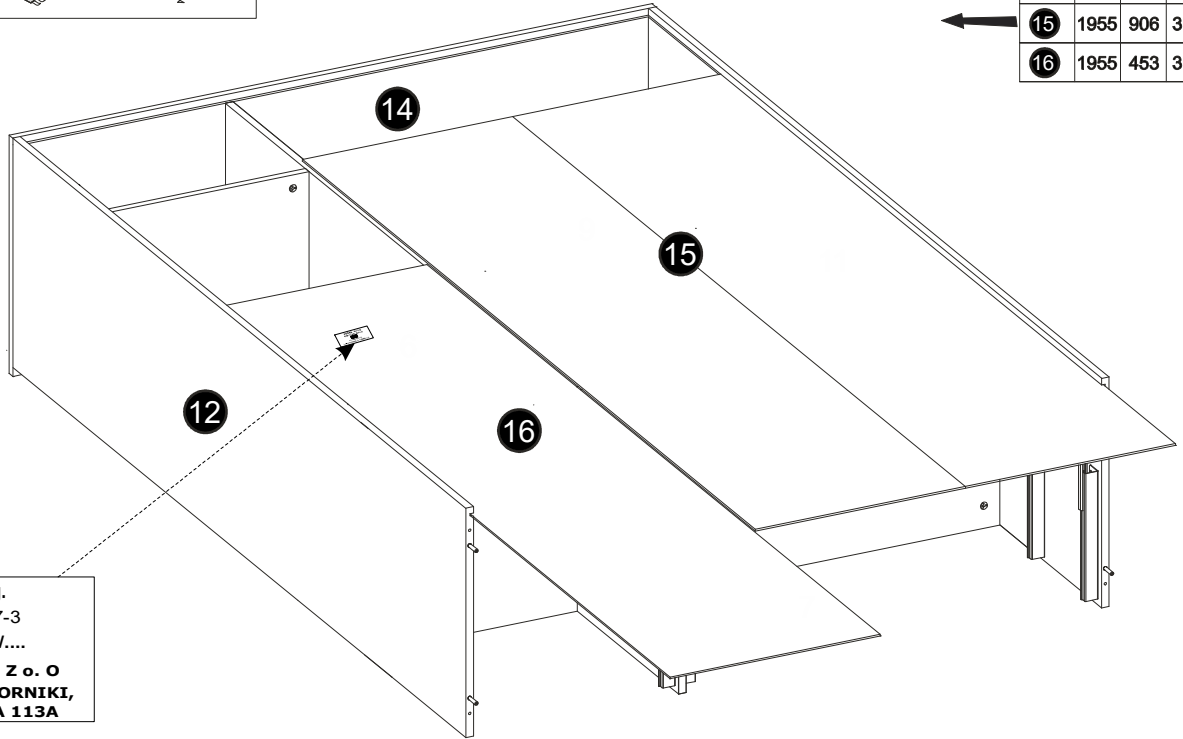
2/5					
	B	H	T		
14	1378	500	16	x1	



12

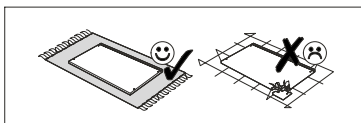


3/5				
	B	H	T	
15	1955	906	3	x1
16	1955	453	3	x1

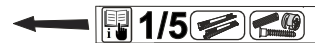


SPAZIO KLS 3-trg.
58-179-17-3
SERIE: ZP- .../....
POL POWER Sp. Z o. O
PL 62-052 KOMORNIKI,
UL. POZNAŃSKA 113A

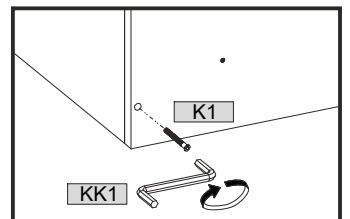
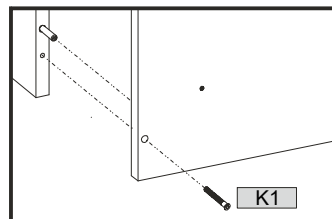
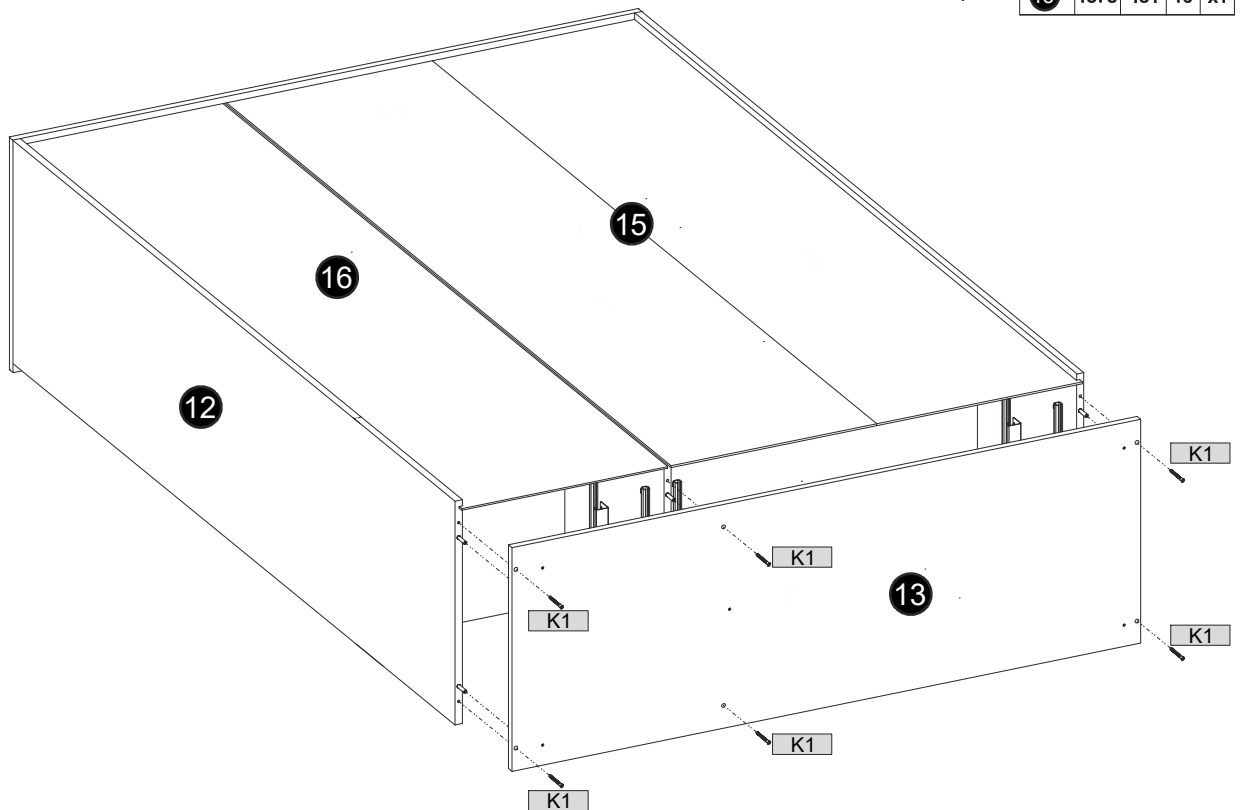
13



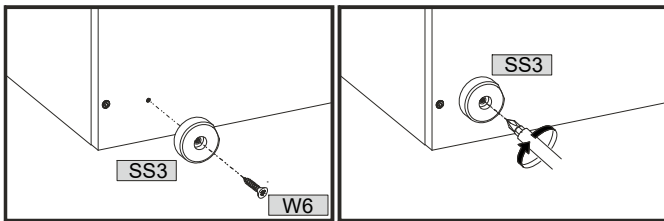
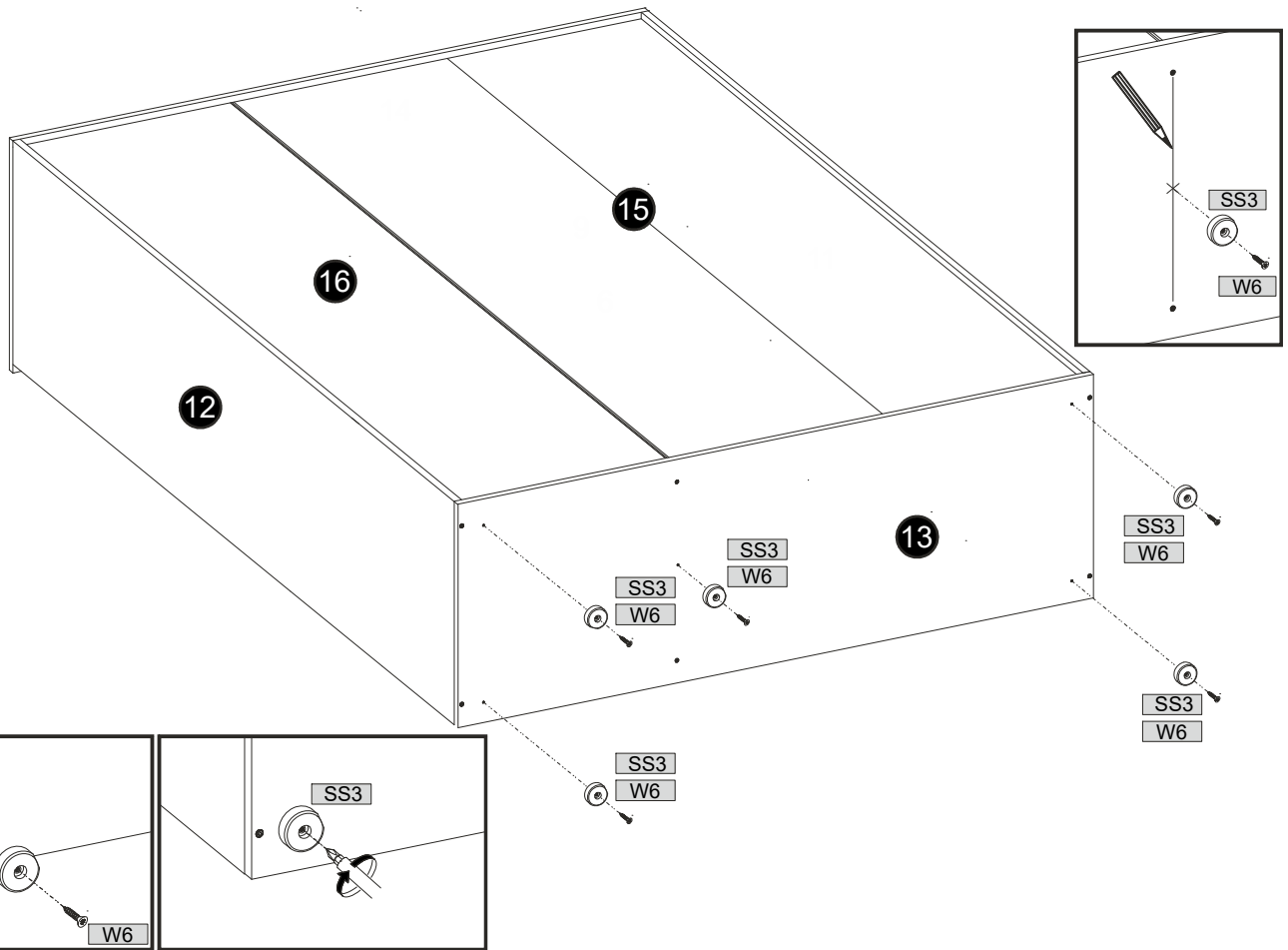
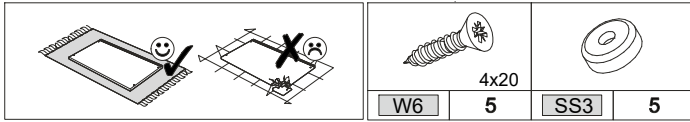
	7x50		
K1	6	KK1	1



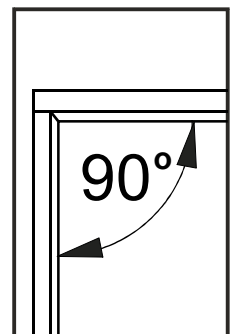
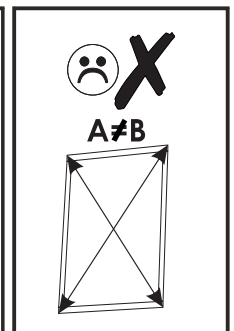
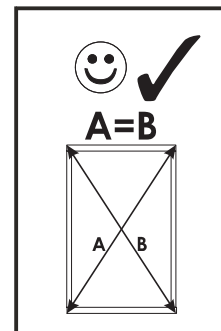
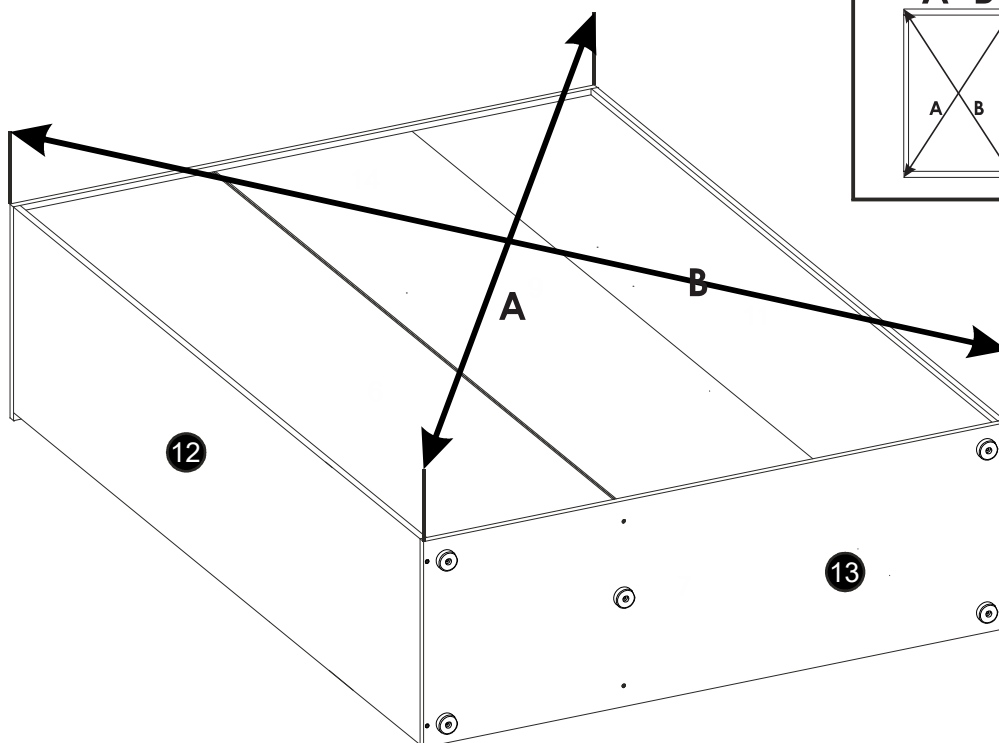
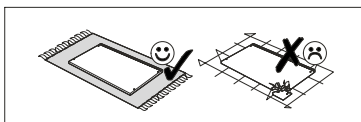
2/5				
	B	H	T	
13	1378	481	16	x1



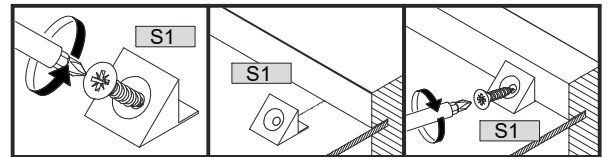
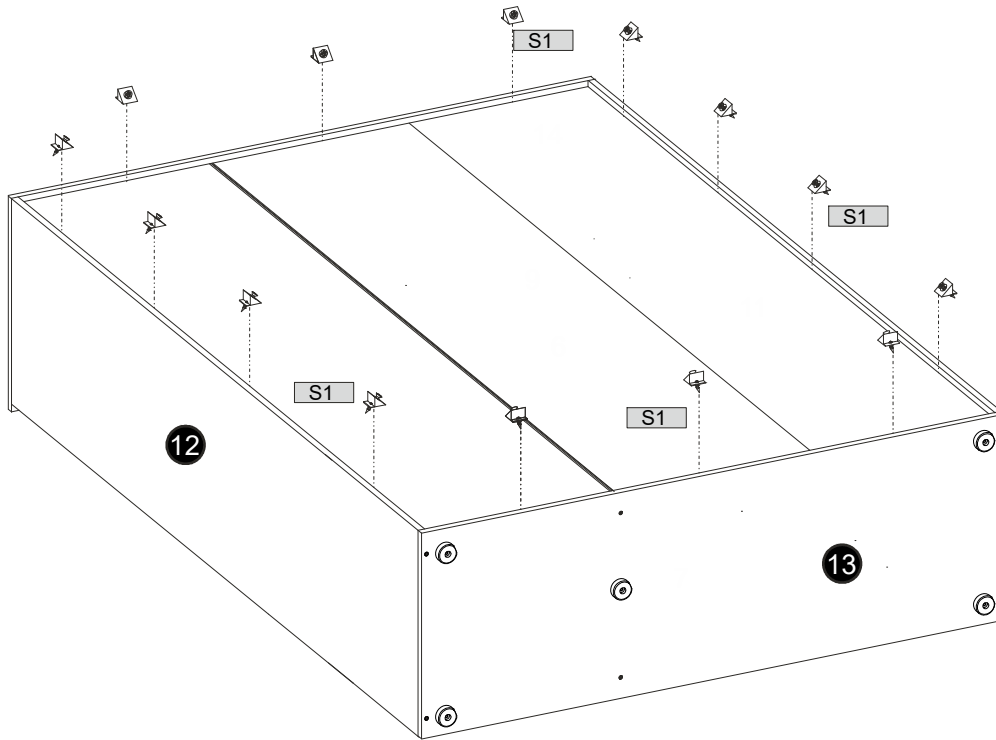
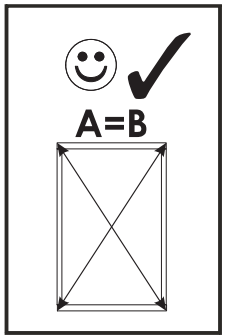
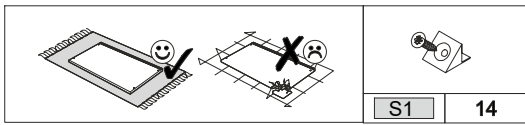
14



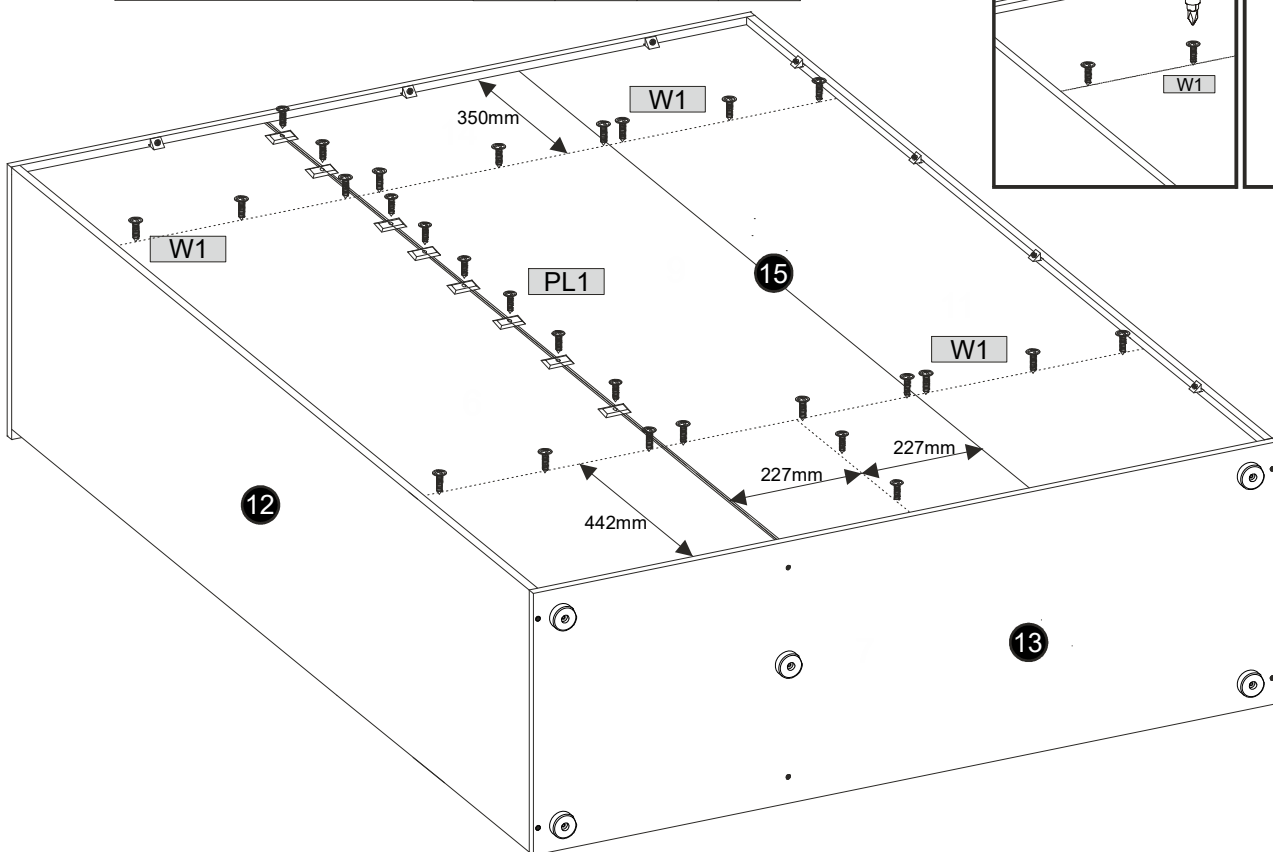
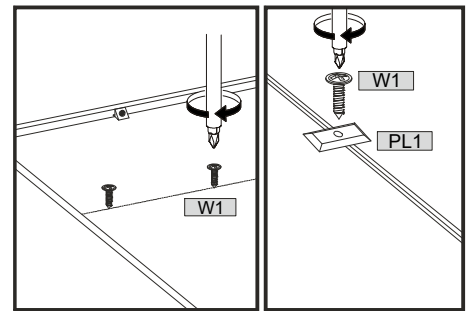
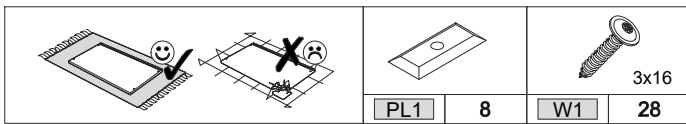
15



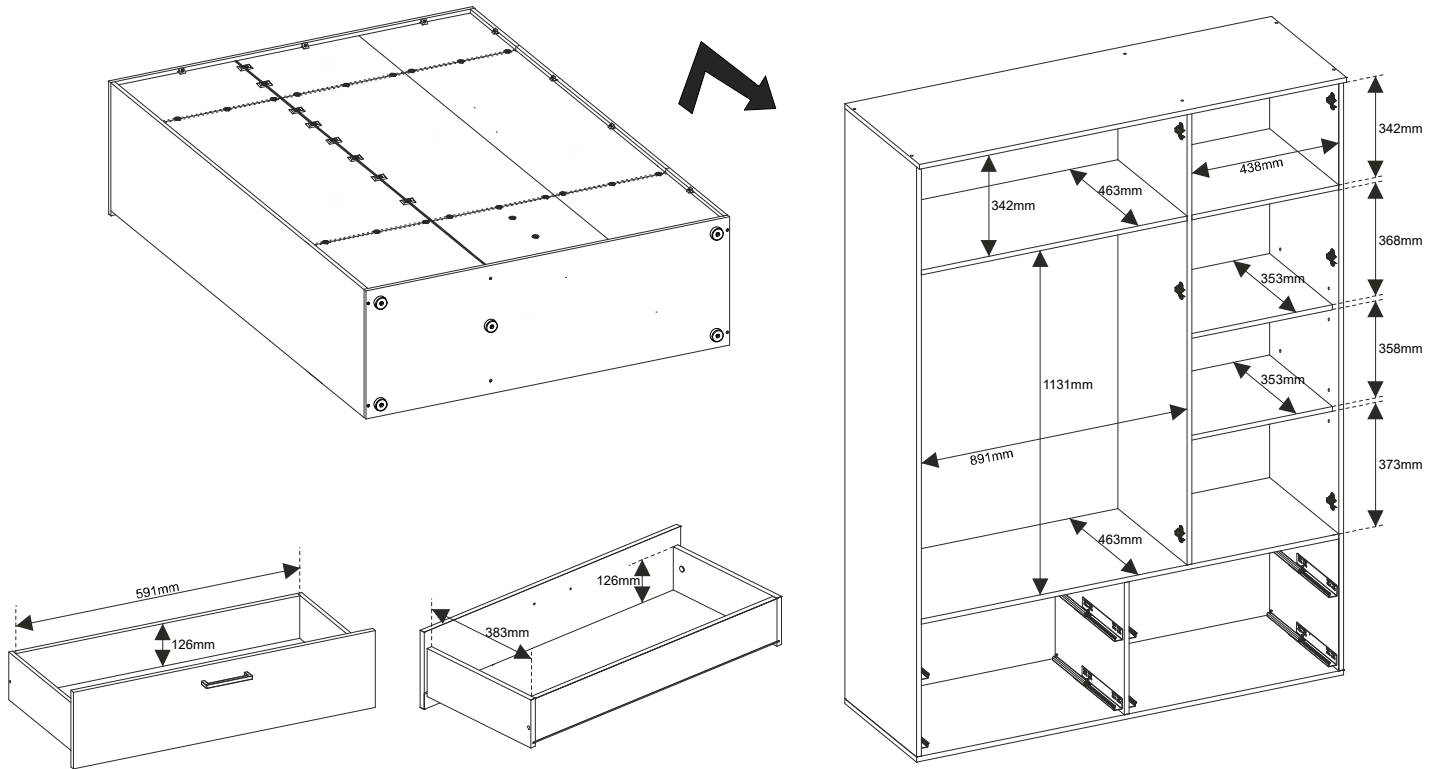
16



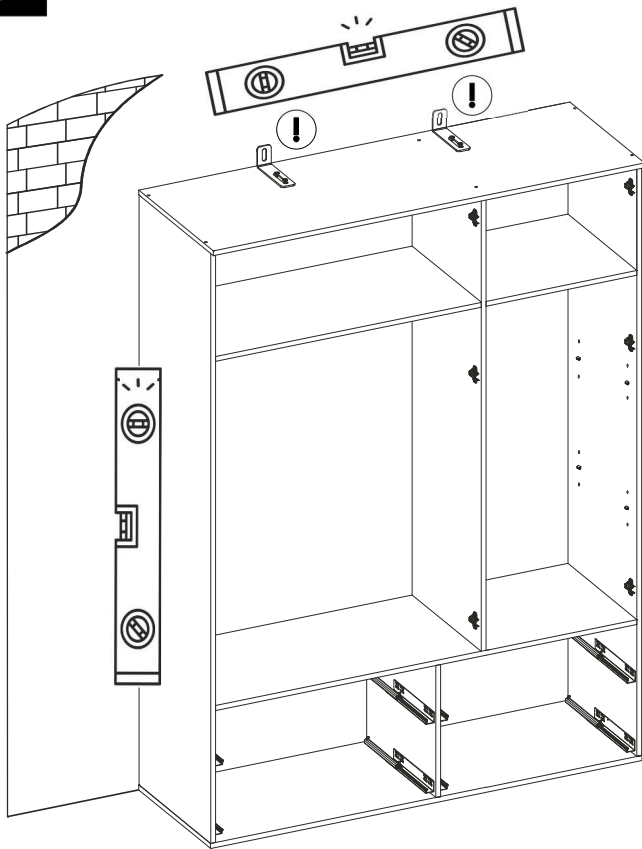
17



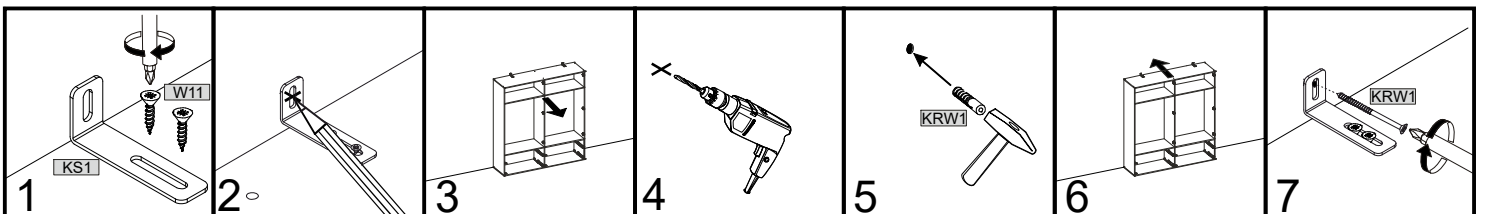
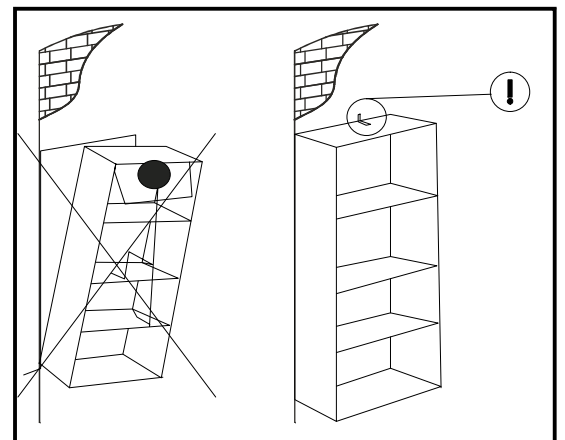
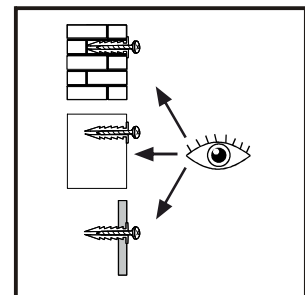
18



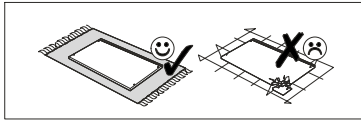
19



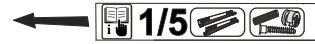
	3,5x16				08x40
W11	4	KS1	2	KRW1	2



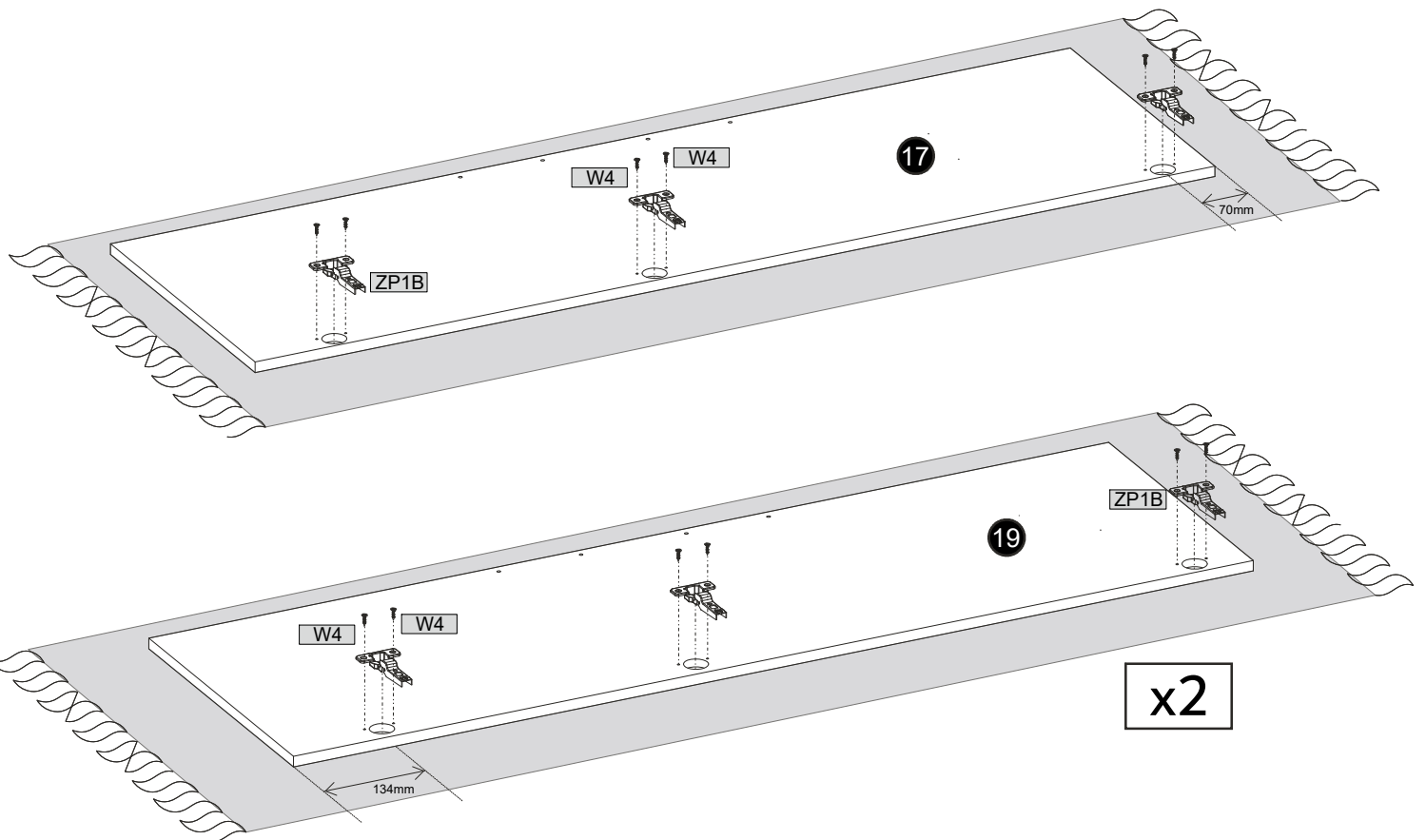
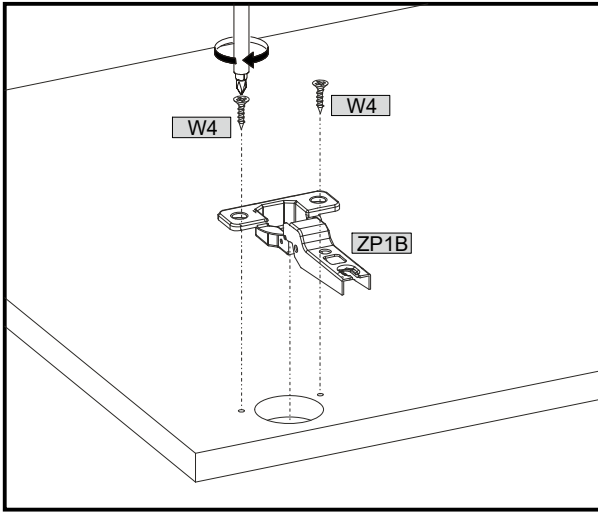
20

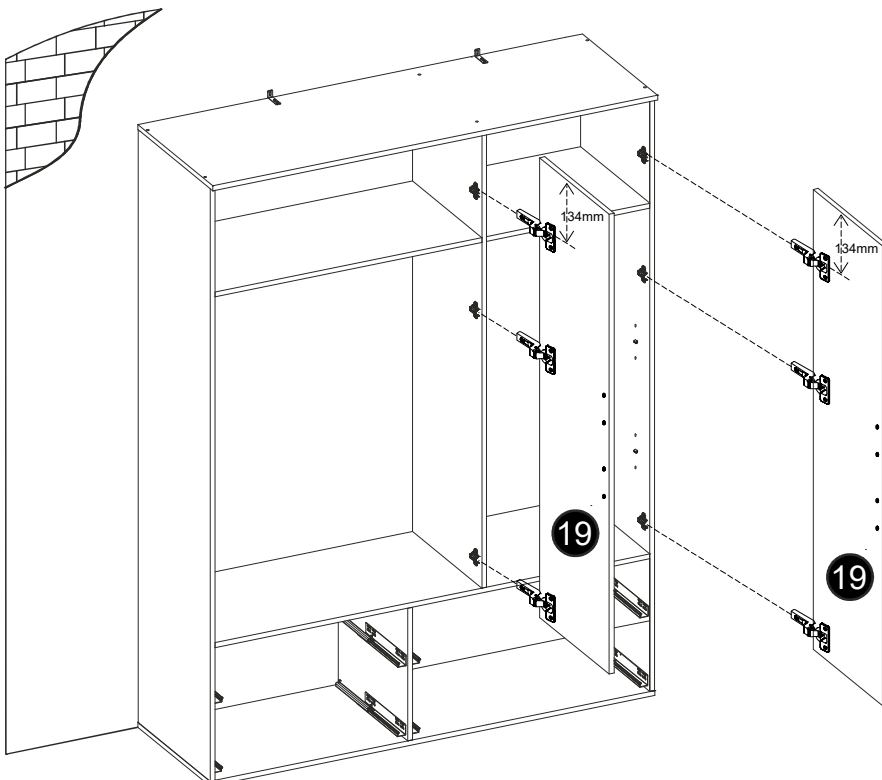
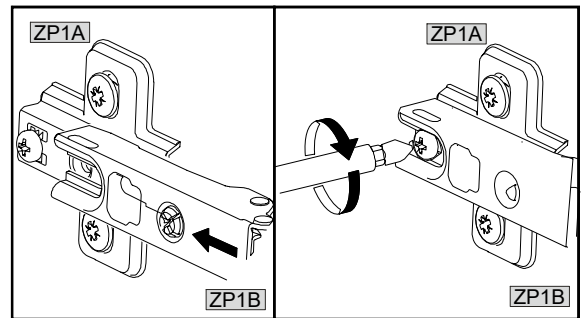
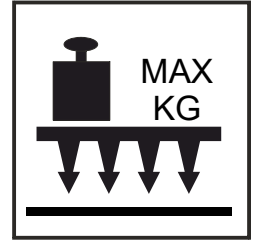
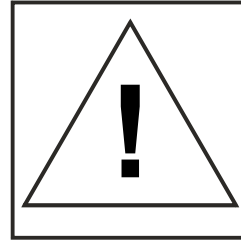
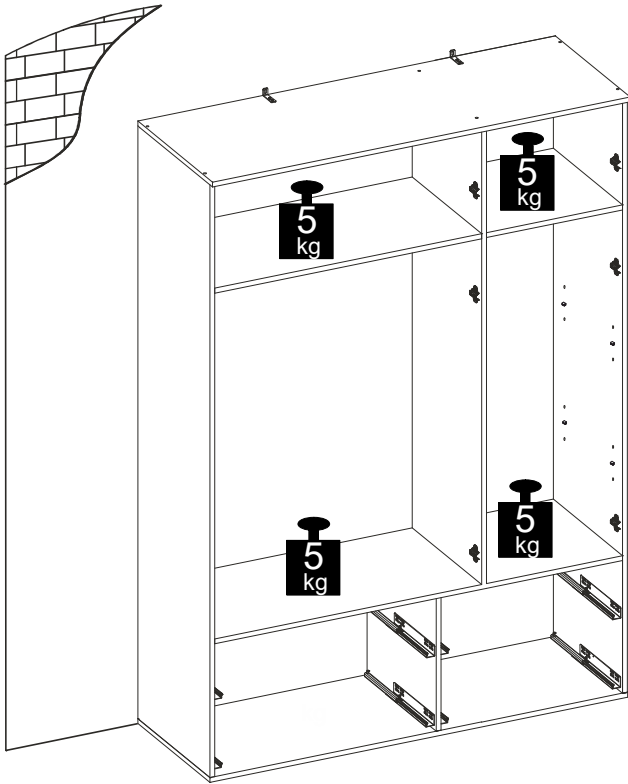


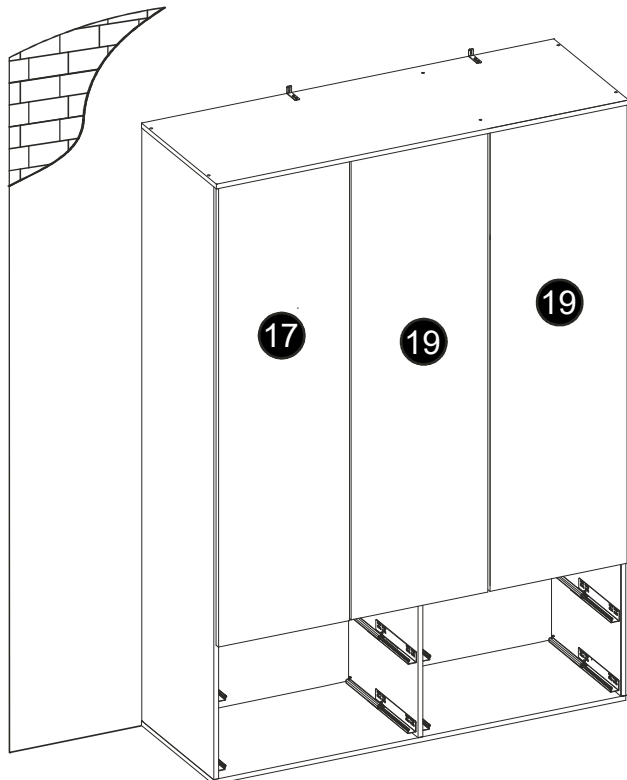
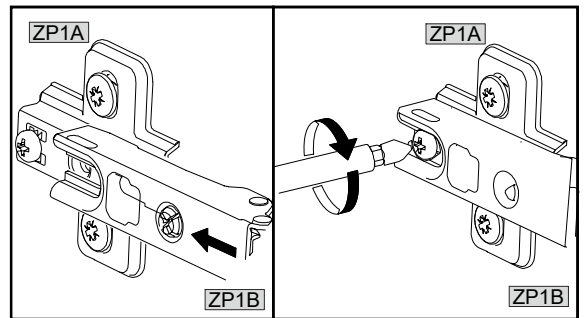
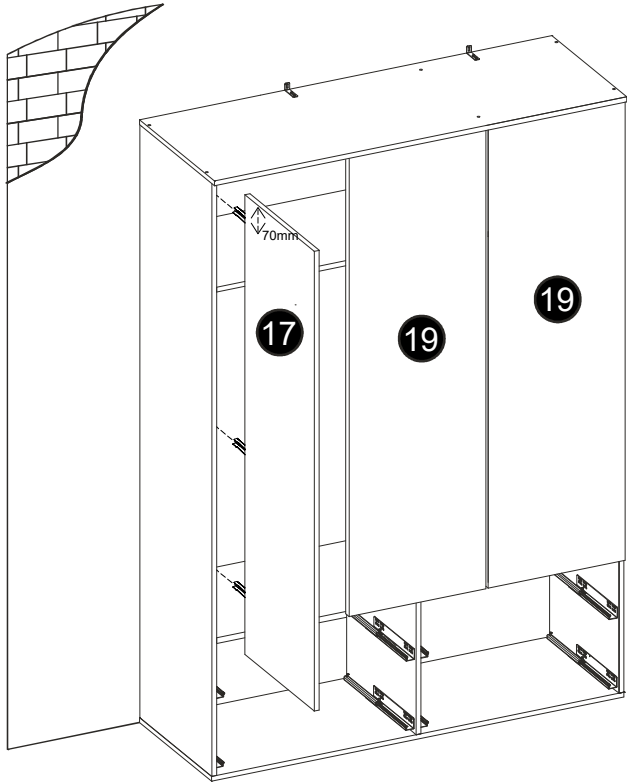
	9		4x13	18
--	---	--	------	----





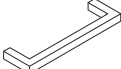

5/5				
	B	H	T	
17	1492	450	16	x1
19	1492	450	16	x2

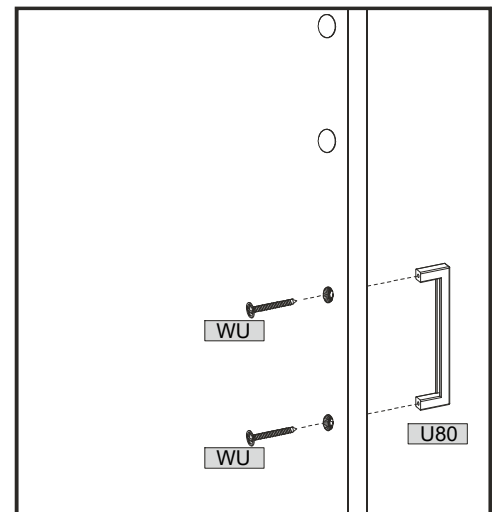
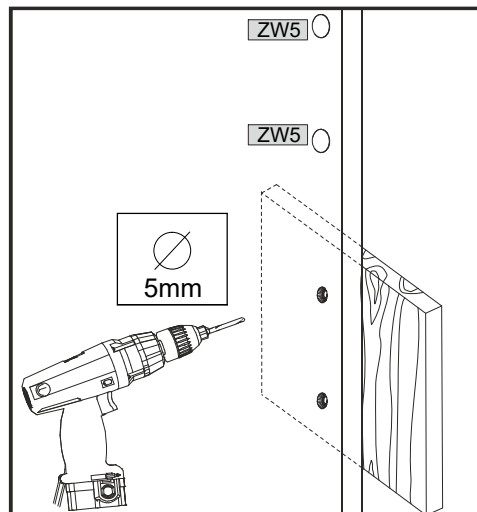
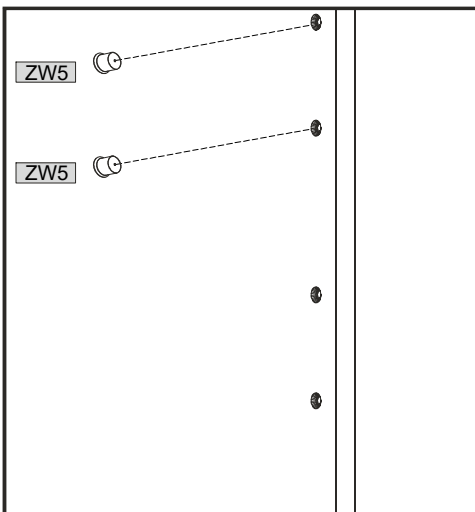
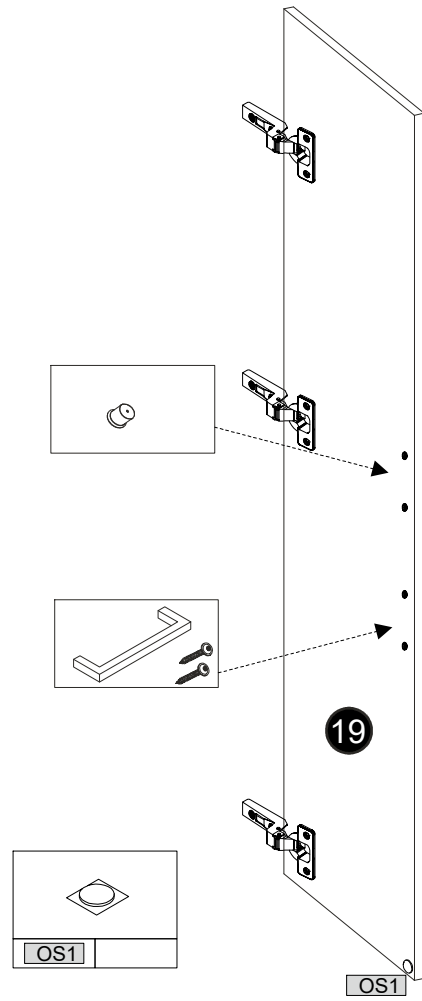
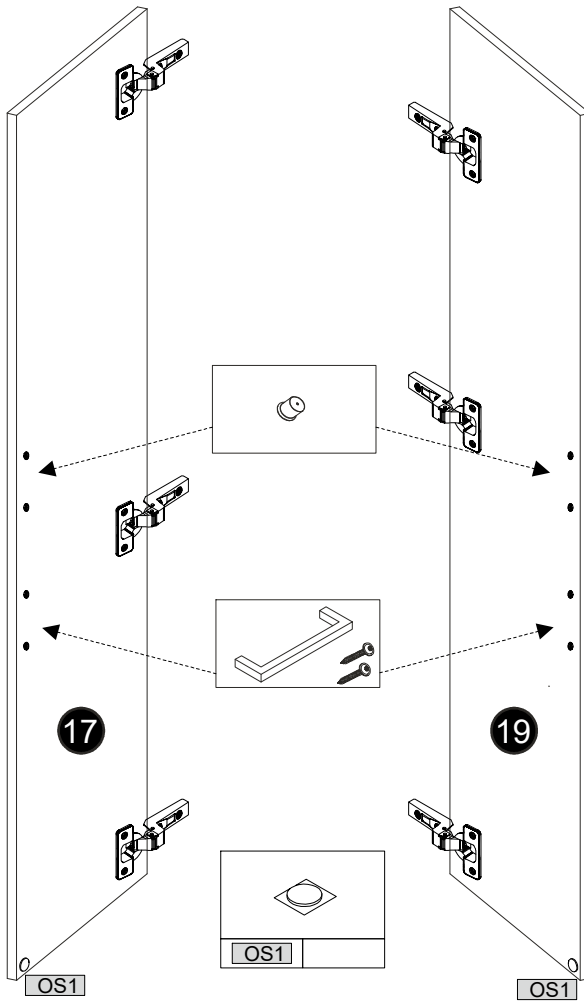
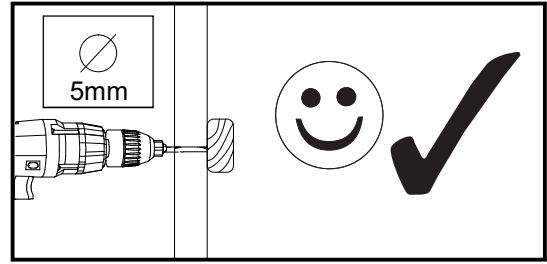
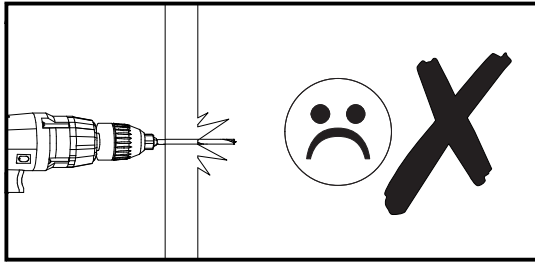




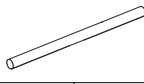
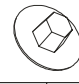



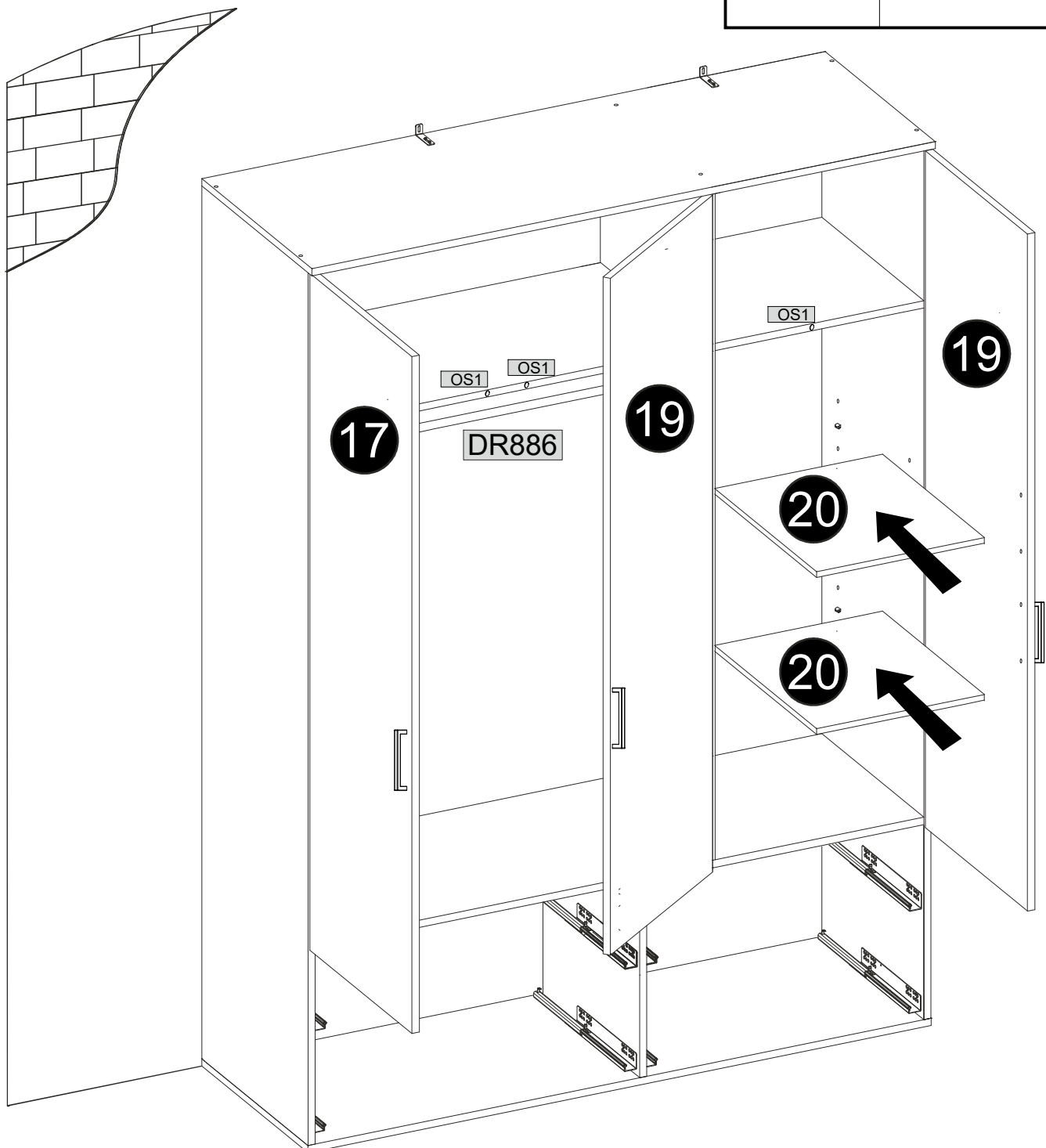
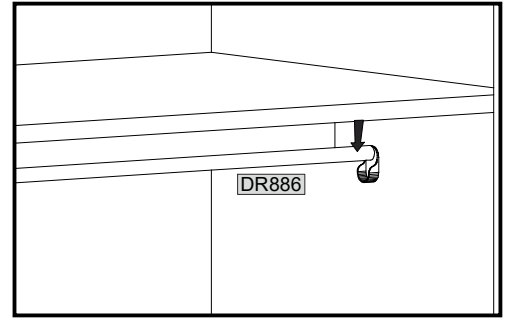
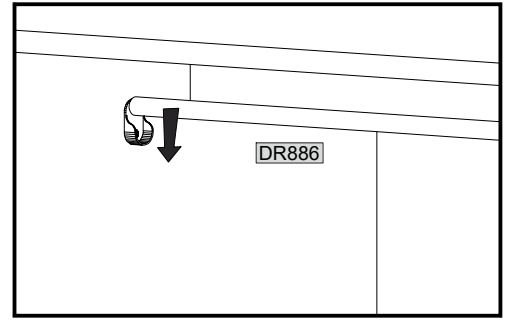
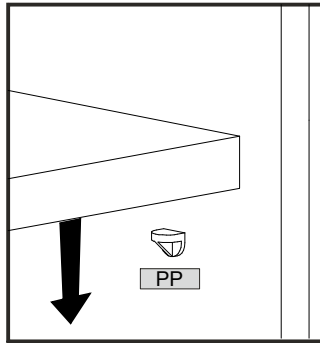
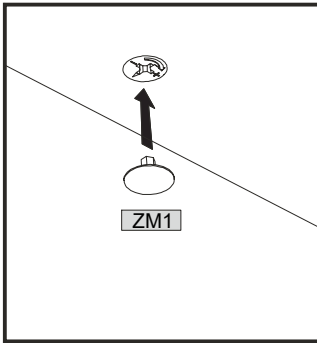
23

			4x30				
ZW5	6	WU	6	U80	3	OS1	3



24

		
DR886 1	ZM1 8	OS1 3



25

