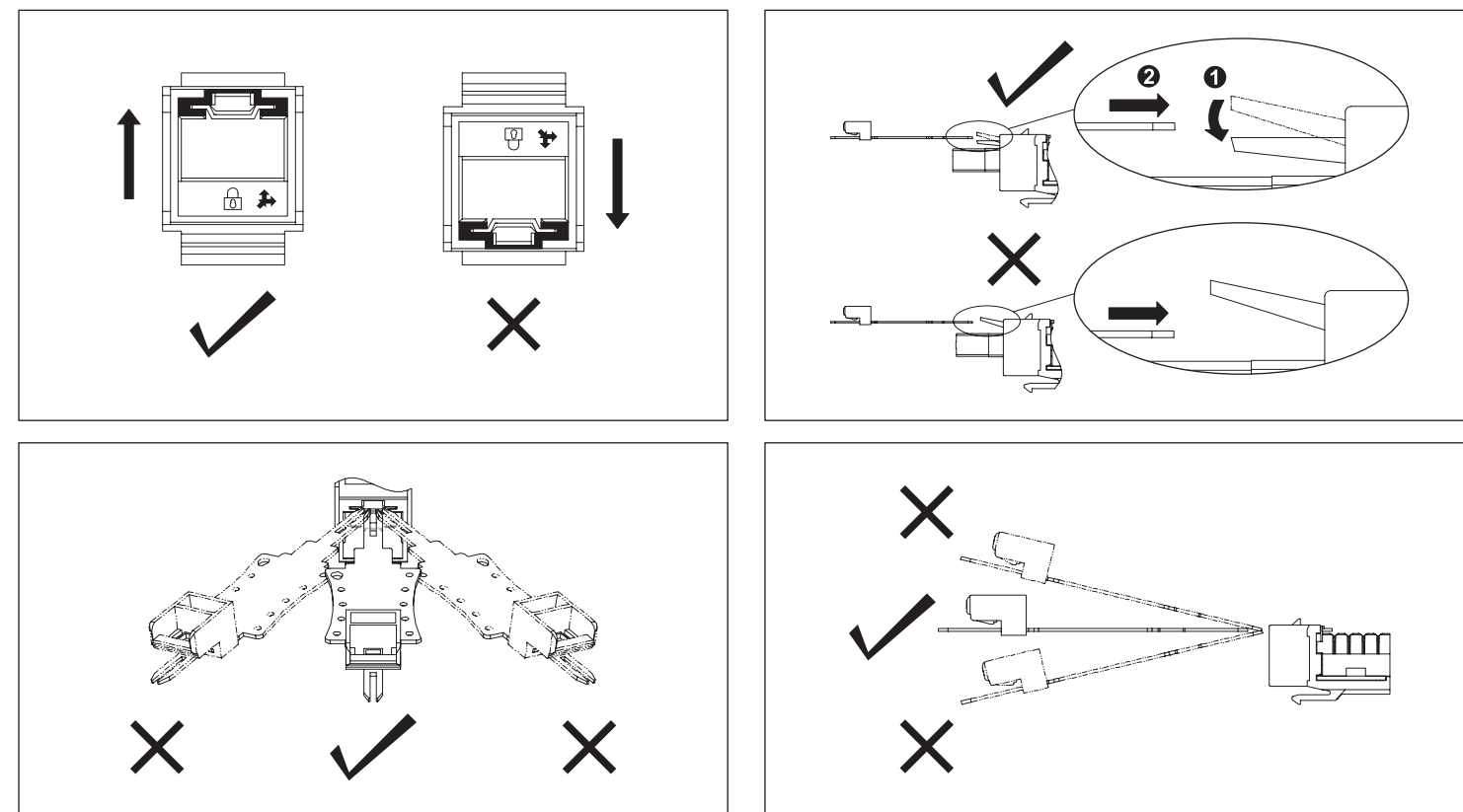
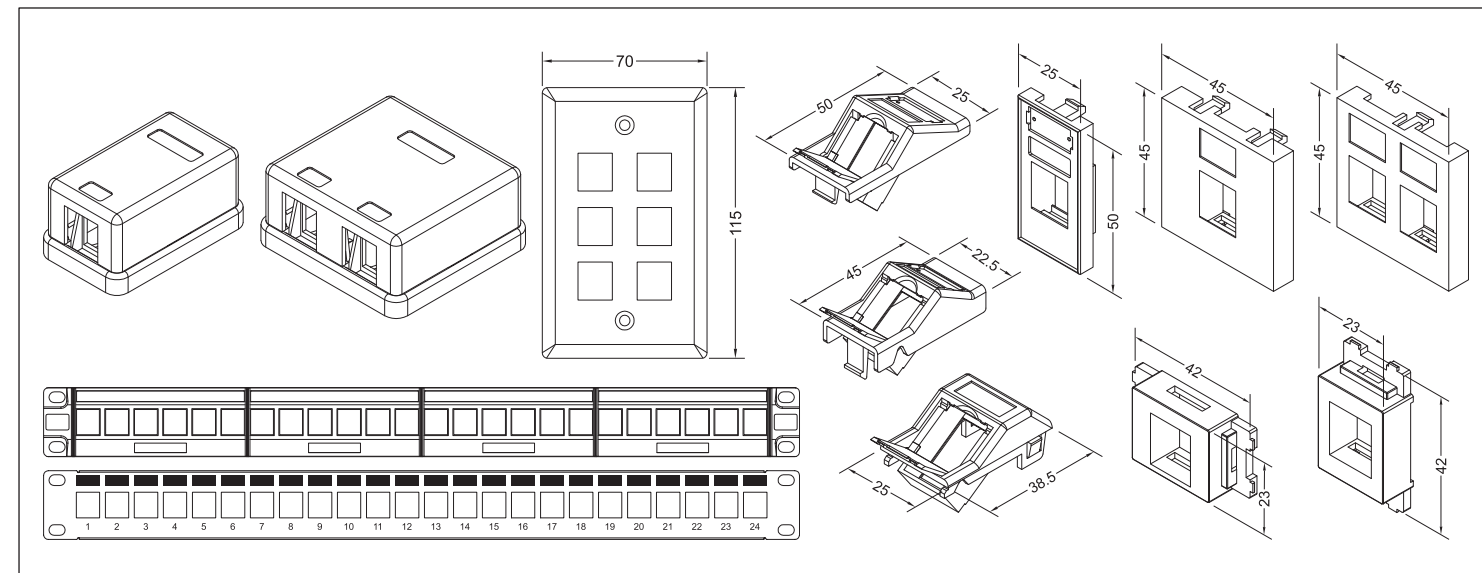


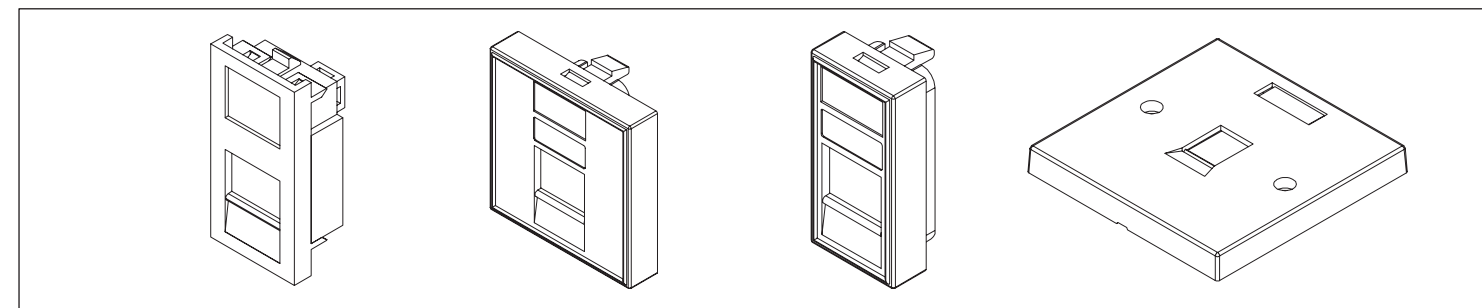
Caution !



Suitable for without spring shutter or thin dust cover

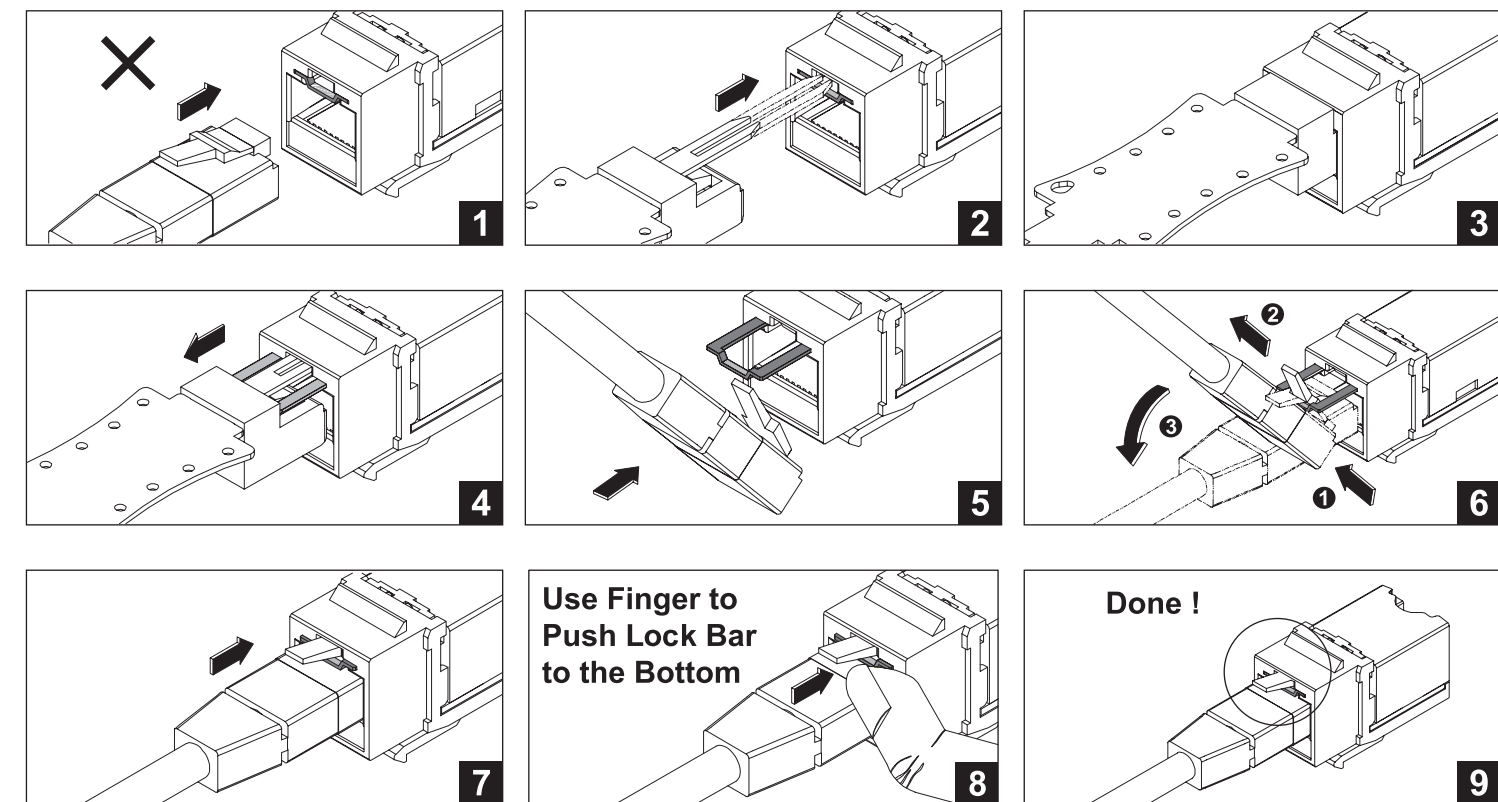


Not Suitable for spring shutter or thick dust cover



Lock Jack Instruction Manual

Insert the plug



Pull out the plug

