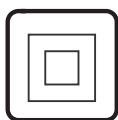


INSTRUCTION MANUAL

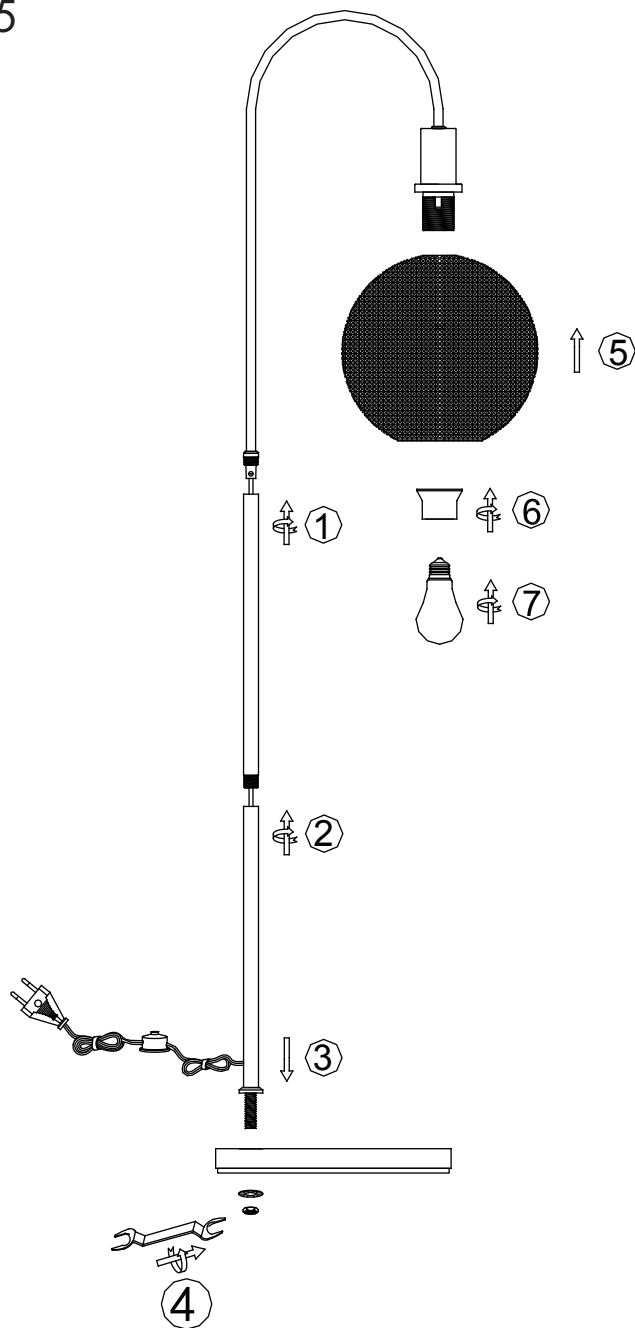


220-240V~
50Hz

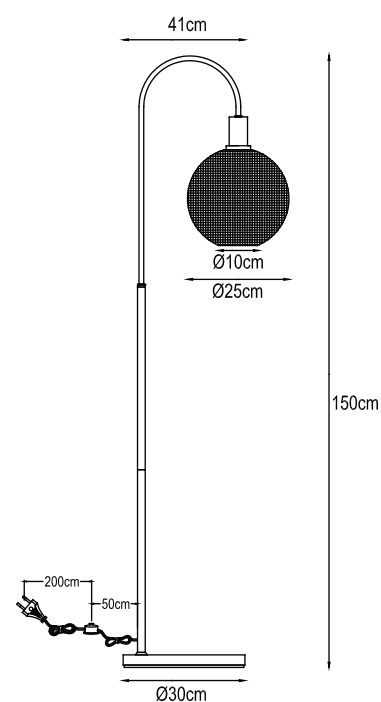
Max. Ø90mm
E27 Max.40W



Chico FL Black
106425



Overall Sizes :



FittinQ B.V.

Smaragdweg 52, 5527 LB Hapert, The Netherlands
www.qazqa.nl

QAZQA