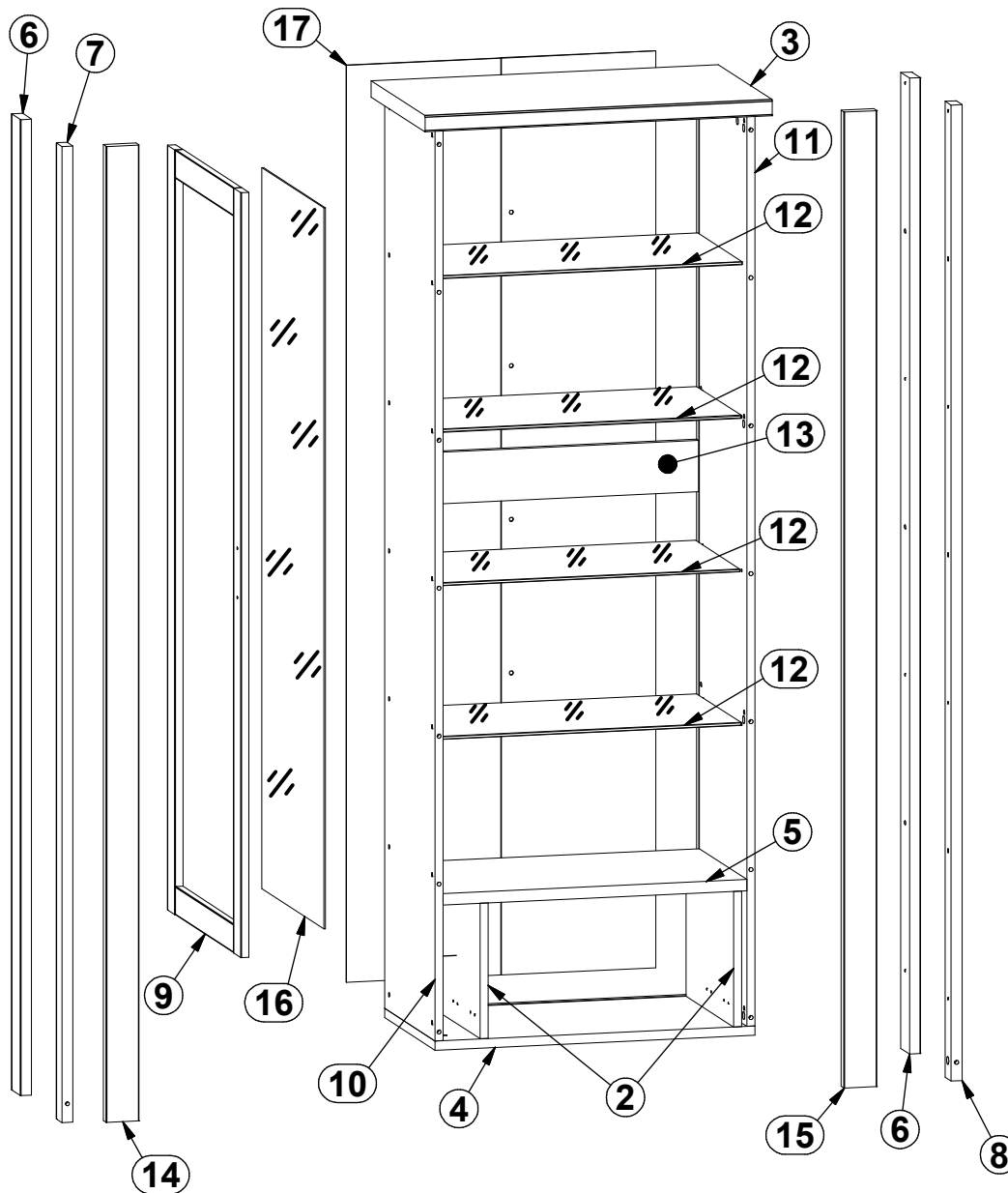
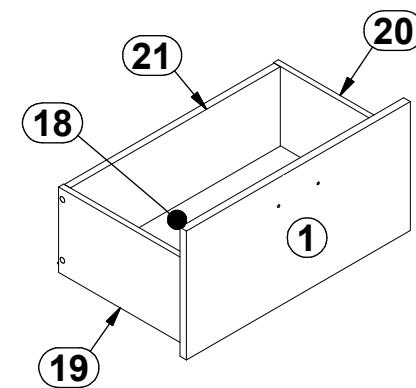


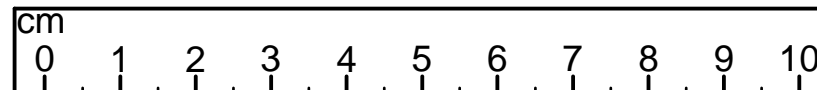
3x a202	3x b89
2x c453	16x d33
4x e1 Ø7x50 mm	8x e3 Ø6x13 mm
16x e22 Ø7x28 mm	28x f1 Ø8x30 mm
12x f13 Ø8x20 mm	4x f25 Ø6,5x40 mm
4x j30 M4x22 mm	4x k1
12x l2	12x l3
1x p25 Ø3,5x16 mm	1x p35 Ø3,5x10 mm
8x p38 Ø3,5x16 mm	6x p51 Ø3,5x15 mm
12x p61 Ø3,5x16 mm	2x p55 Ø2,9x16 mm
4x o85\1	1x o80\11 12W
1x o80\3	22x r1 Ø15x12 mm #16
4x r15 Ø12x10,5 mm #12	26x r42 20/11
10x s2 Ø16	1x w125\L 300mm
1x t25 300 mm	1x z1
1x w125\P 300mm	1x d4 Ø6,3x15 mm

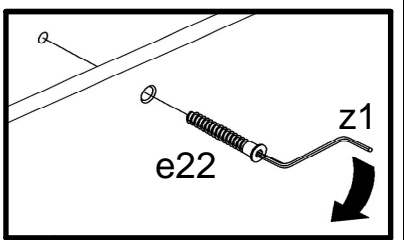
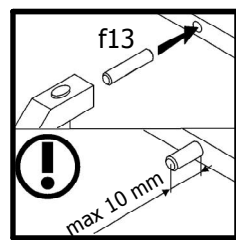
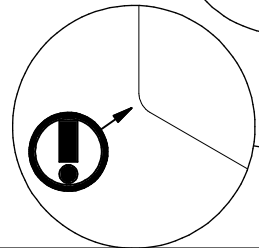
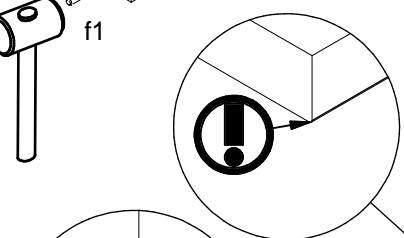
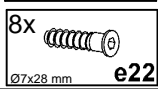
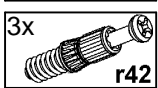
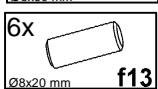
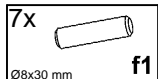
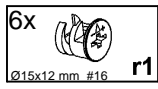
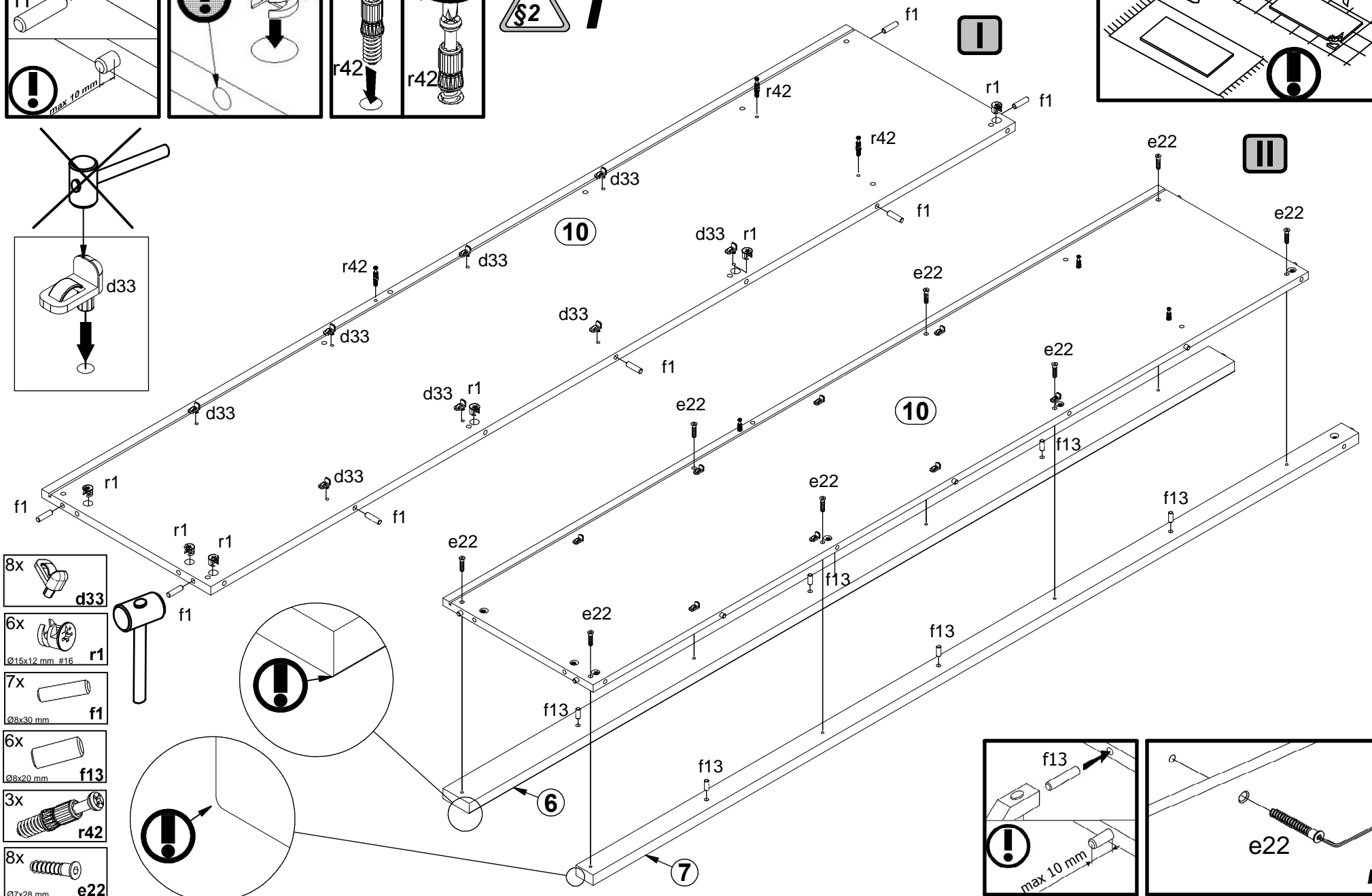
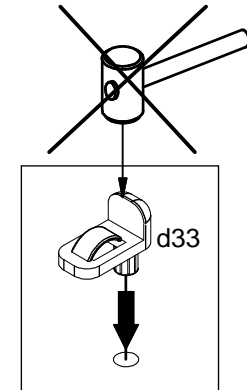
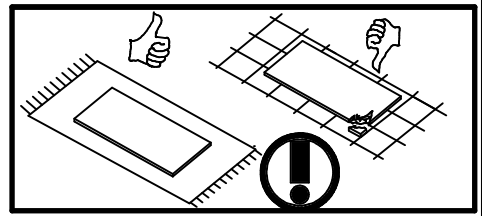
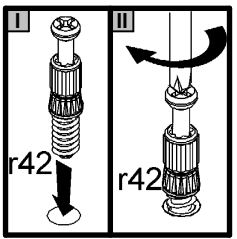
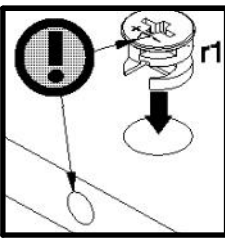
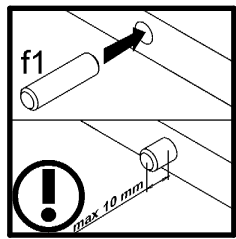


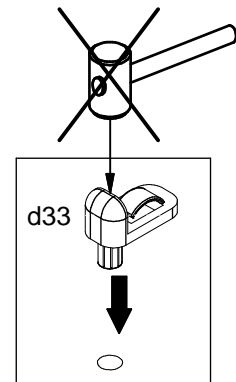
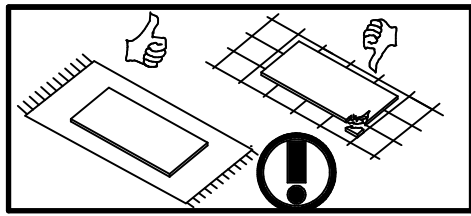
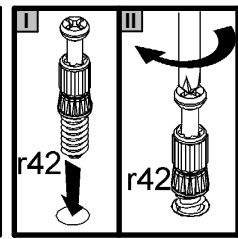
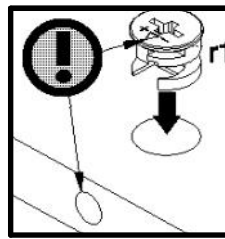
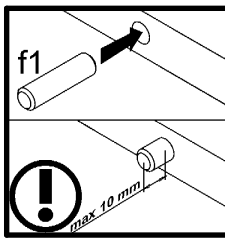
A	B	C1	C2	C3	D
1	M249-0007	545	272	16	2/3
2	M249-1011	264,	353	16	2/3
3	M249-2007	690	400	32	1/3
4	M249-2008	636	373	18	1/3
5	M249-3007	604	353	22	1/3
6	M249-5016	1900	65	22	3/3
7	M249-5017	1900,	43	22	3/3
8	M249-5018	1900,	43	22	3/3
9	S510-0003	1489	545	16	2/3
10	S510-1004	1775	373	16	2/3
11	S510-1005	1775	373	16	2/3
12	S510-3003	597	330	6,	1/3
13	S510-4002	604,	100	16	2/3
14	S510-5015	1900	65	22	3/3
15	S510-5016	1900	65	22	3/3
16	S510-5503	1404	460	3	2/3
17	S510-9302	1785,	615,	2,5	3/3
18	WSP-9310	908,	358	2,5	1/3
19	ZQ6-501	300	180	12	1/3
20	ZQ6-502	300	180	12	1/3
21	ZQ6-5103	511	167	15	1/3



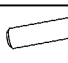
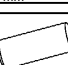
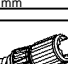
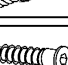


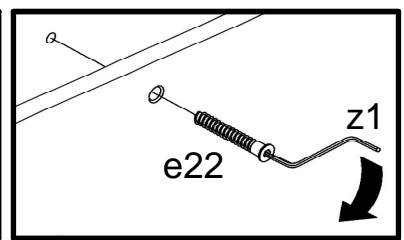
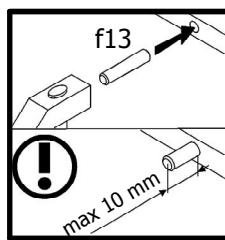
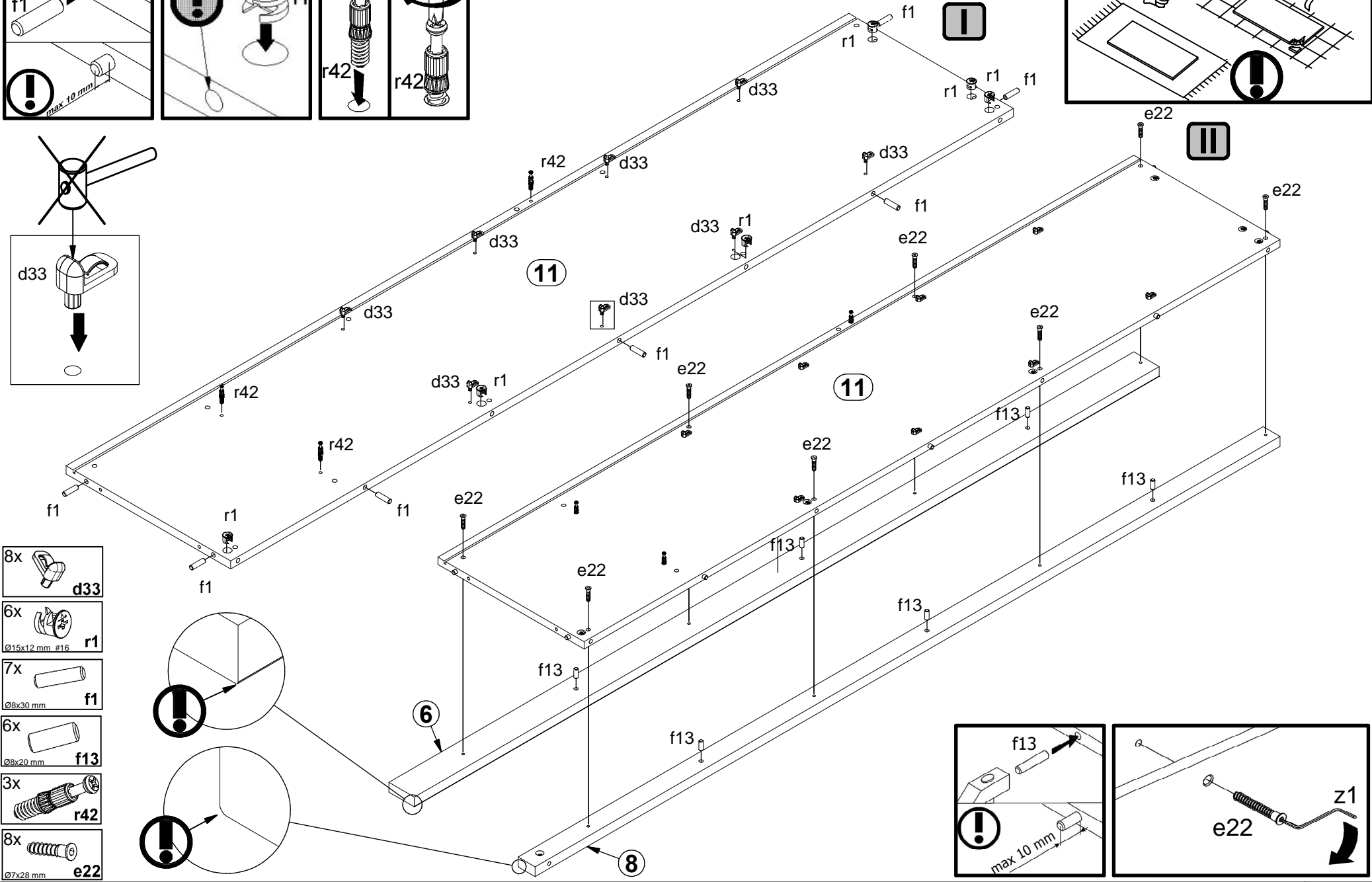
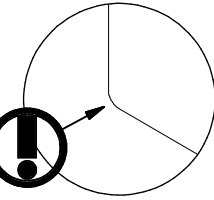
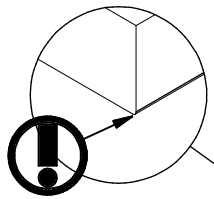
1x f35 Ø10x50 mm	1x p17 Ø5x60 mm	2x p38 Ø3,5x16 mm	1x n142 86x21x15/1,5
------------------------	-----------------------	-------------------------	----------------------------

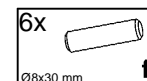
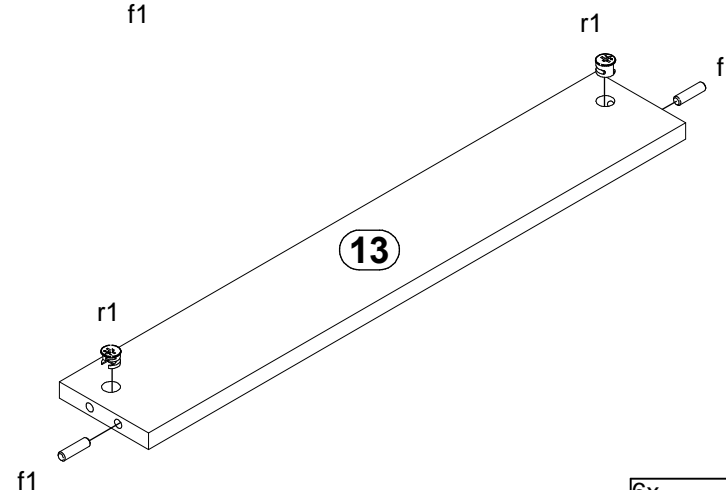
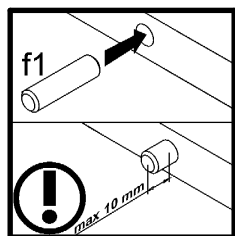
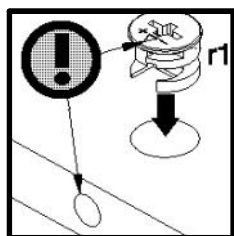
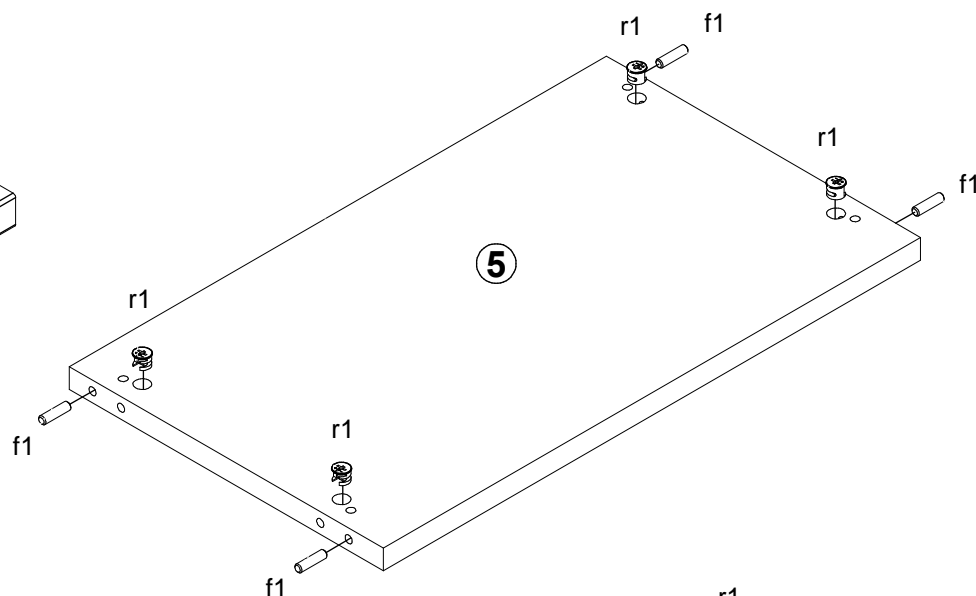
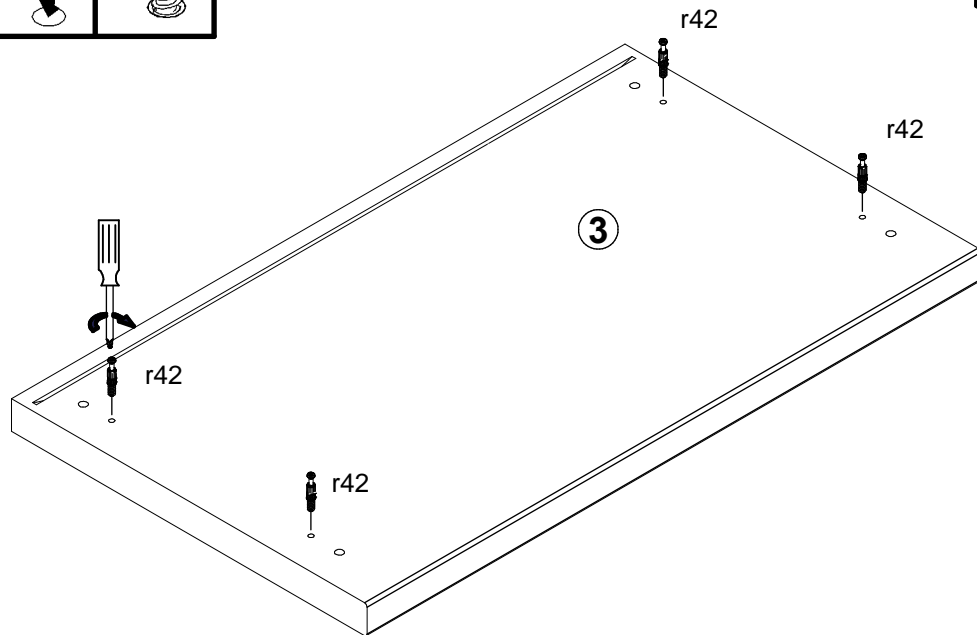
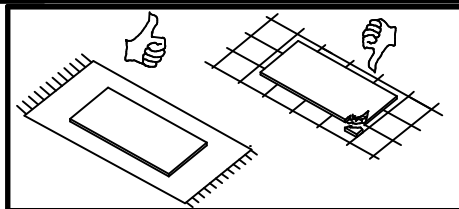
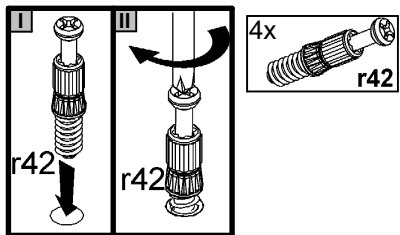


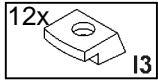
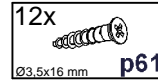
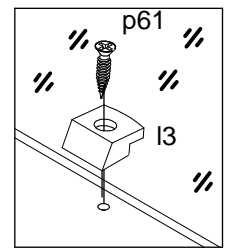
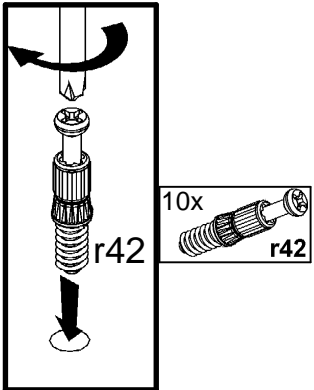
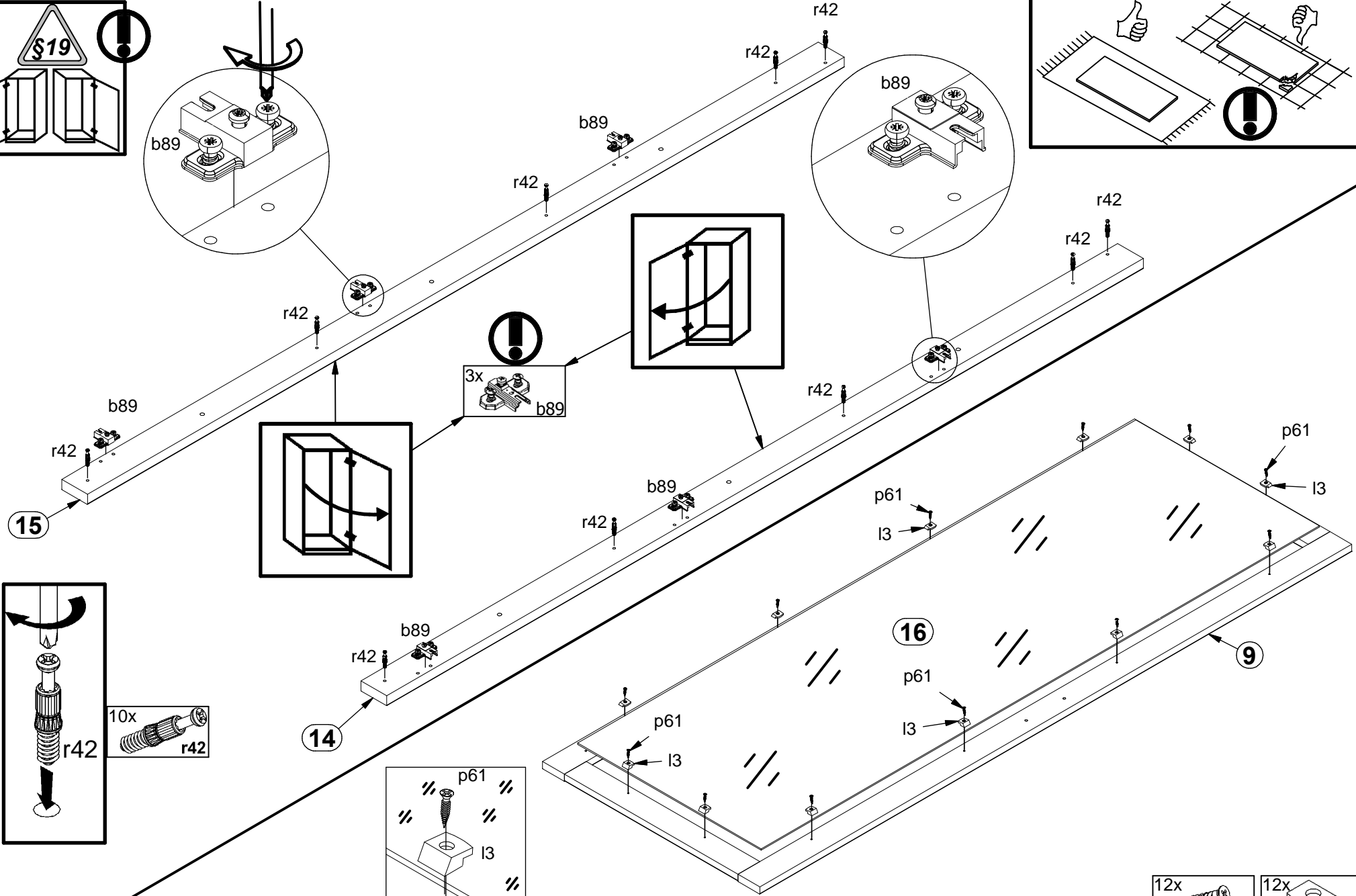
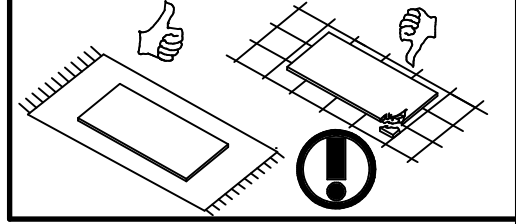
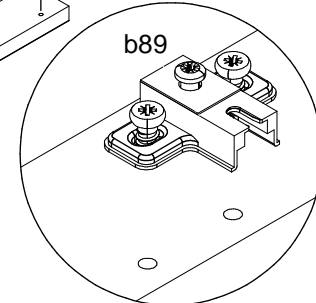
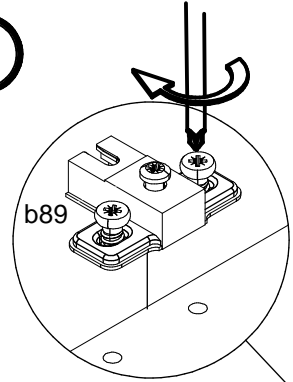
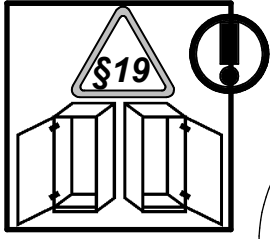


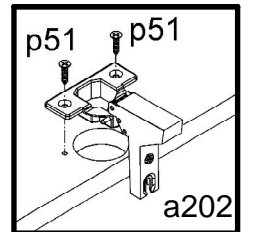
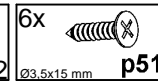
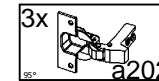
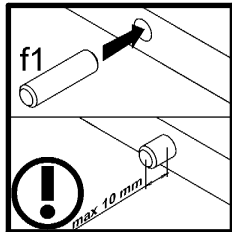
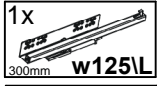
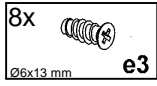
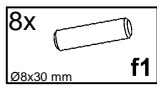
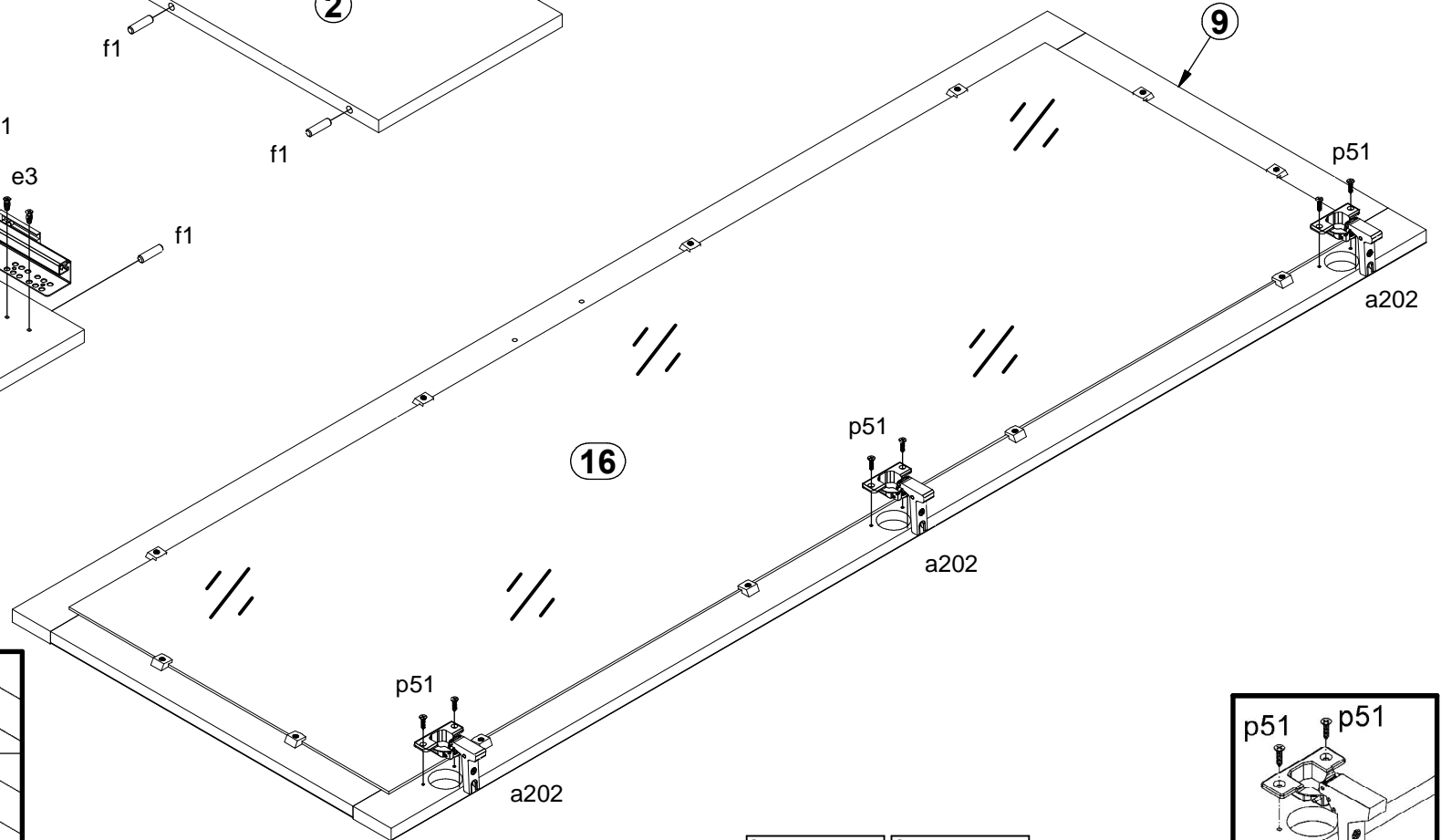
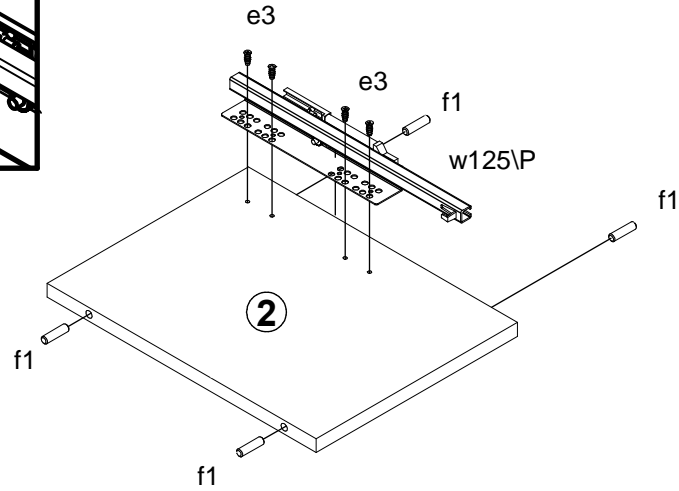
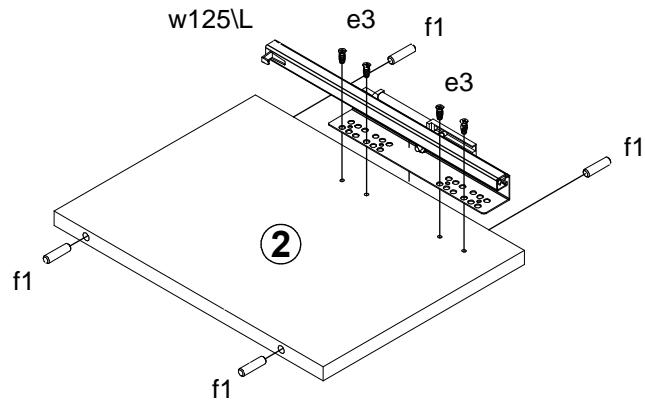
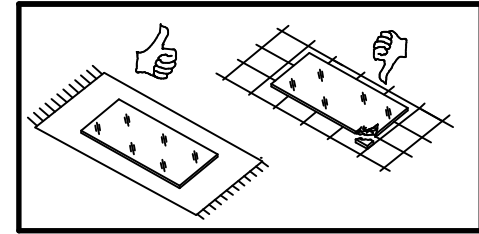
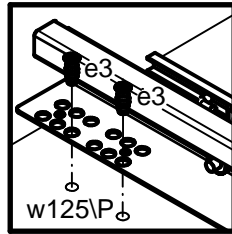
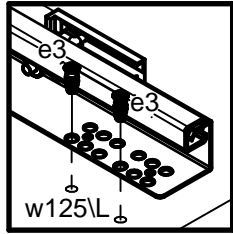


- 8x  d33
- 6x  r1
Ø15x12 mm #16
- 7x  f1
Ø8x30 mm
- 6x  f13
Ø8x20 mm
- 3x  r42
- 8x  e22
Ø7x28 mm









I

4x r42

2

⚠️ \$6 ⚠️ \$7

II

4x f25
Ø6.5x40 mm

III

c453

j30

r42

r15

19

20

21

18

I r15

II r42

III r15

IV

t25

p35

p25

p38

18

19

21

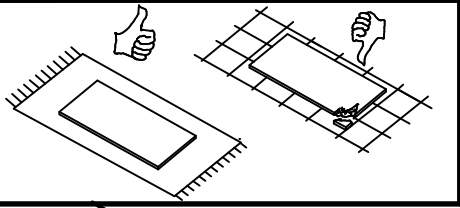
1x t25
300 mm

1x p25
Ø3.5x16 mm

1x p35
Ø3.5x10 mm

4x p38
Ø3.5x16 mm

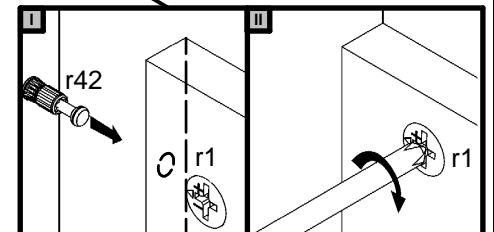
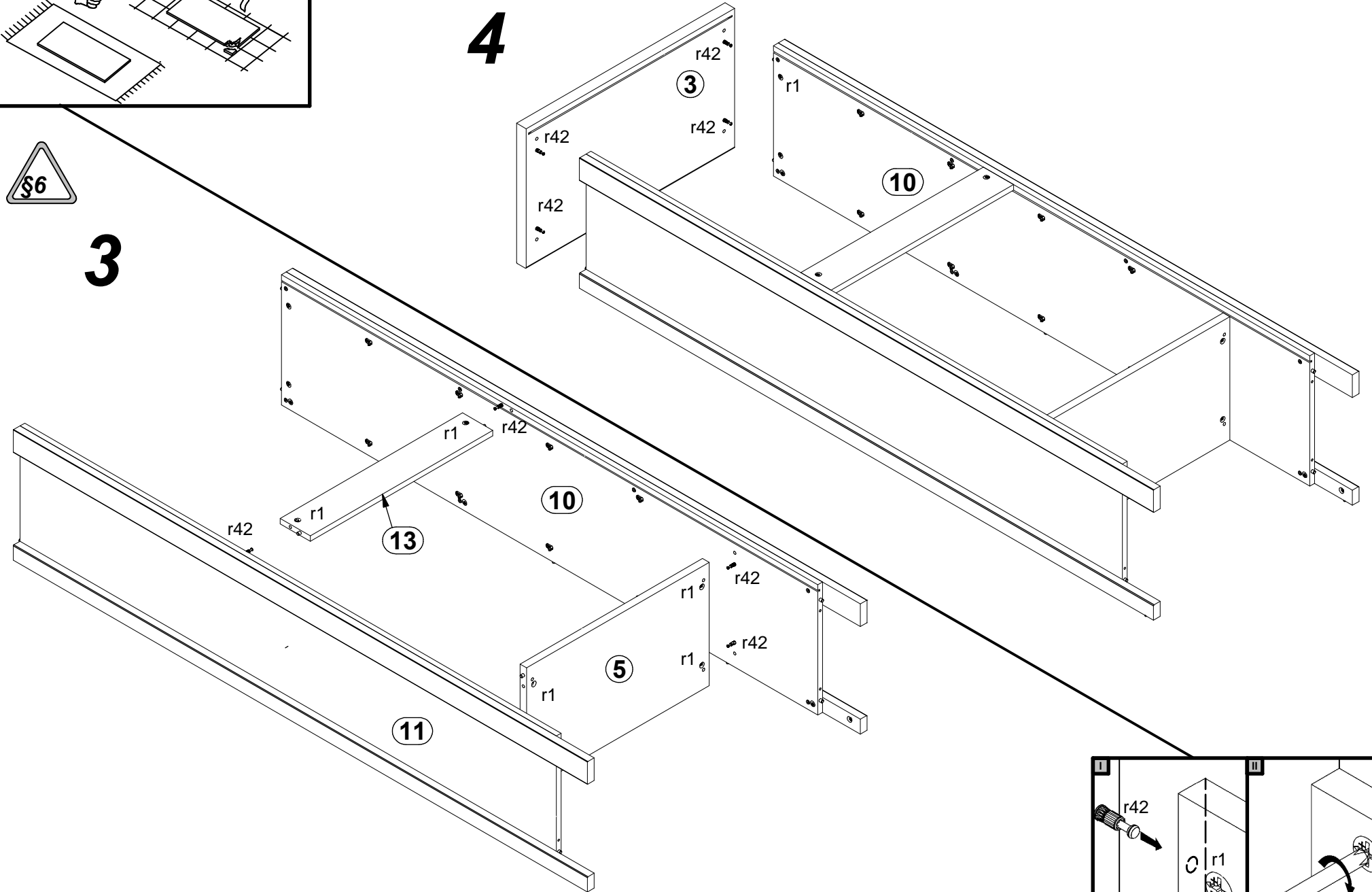
8 mm

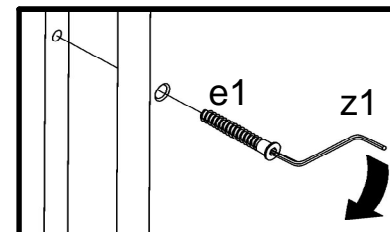
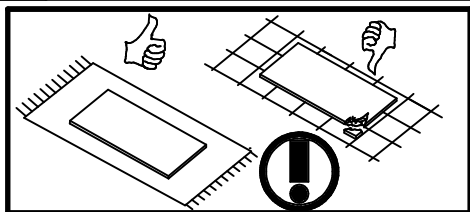


4



3

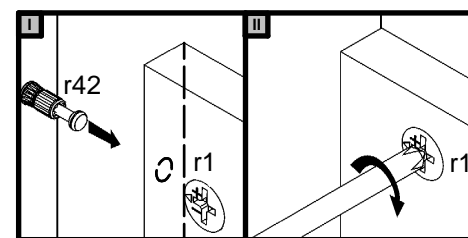
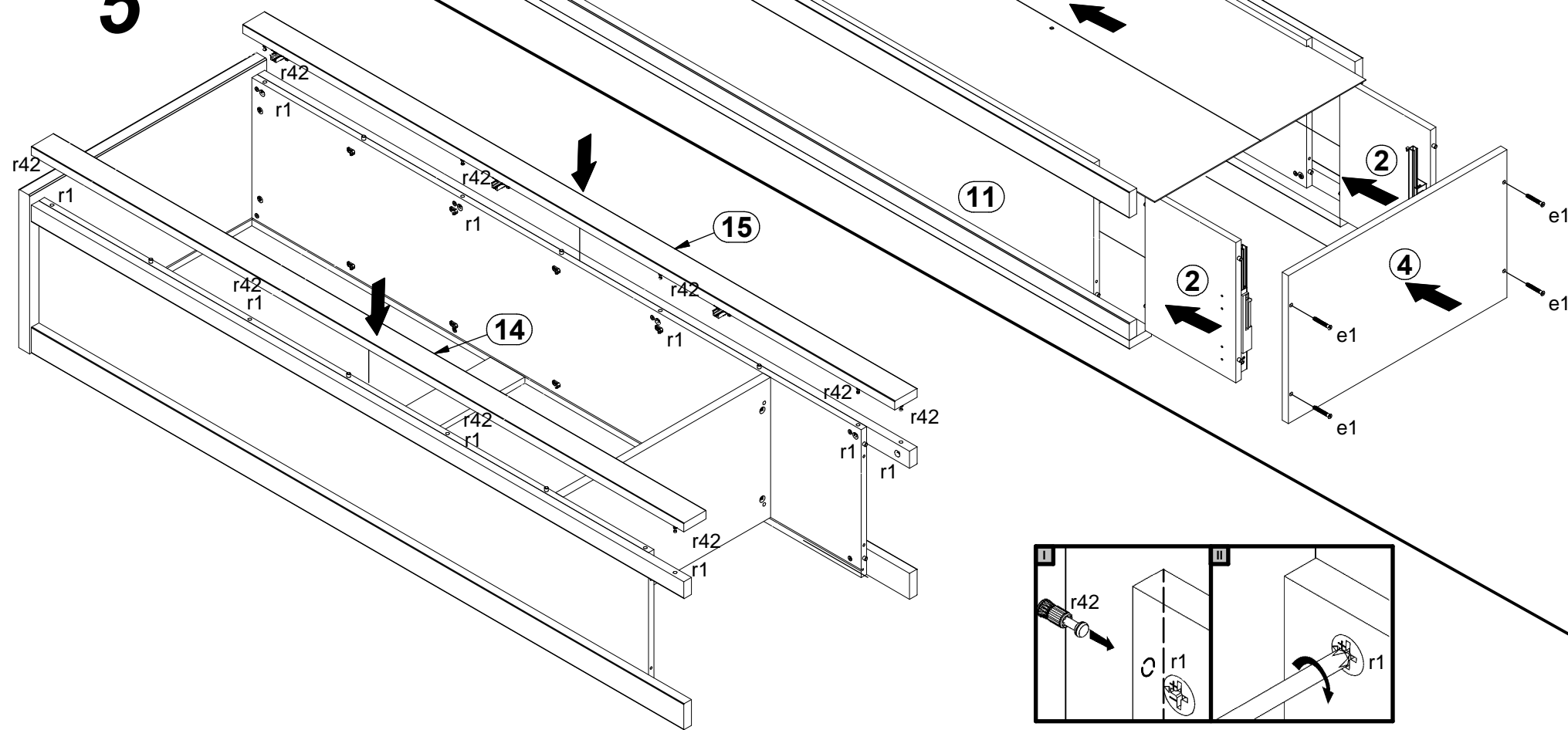


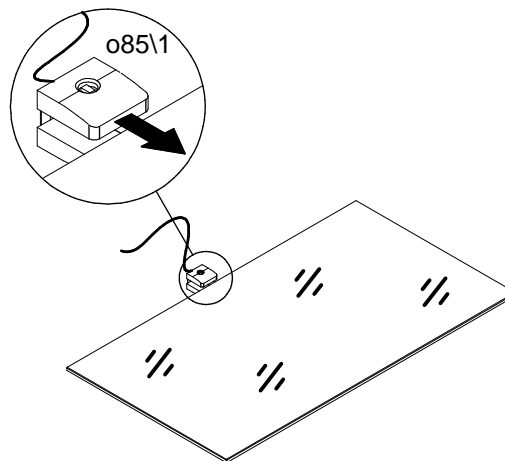
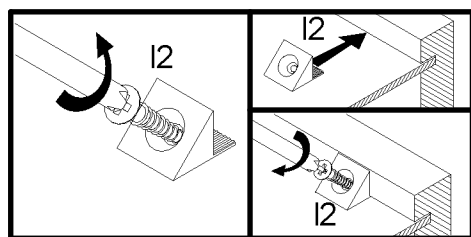
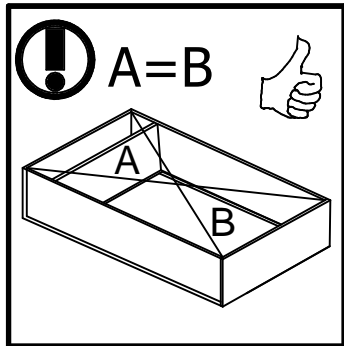


6

17

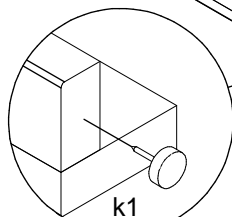
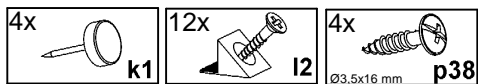
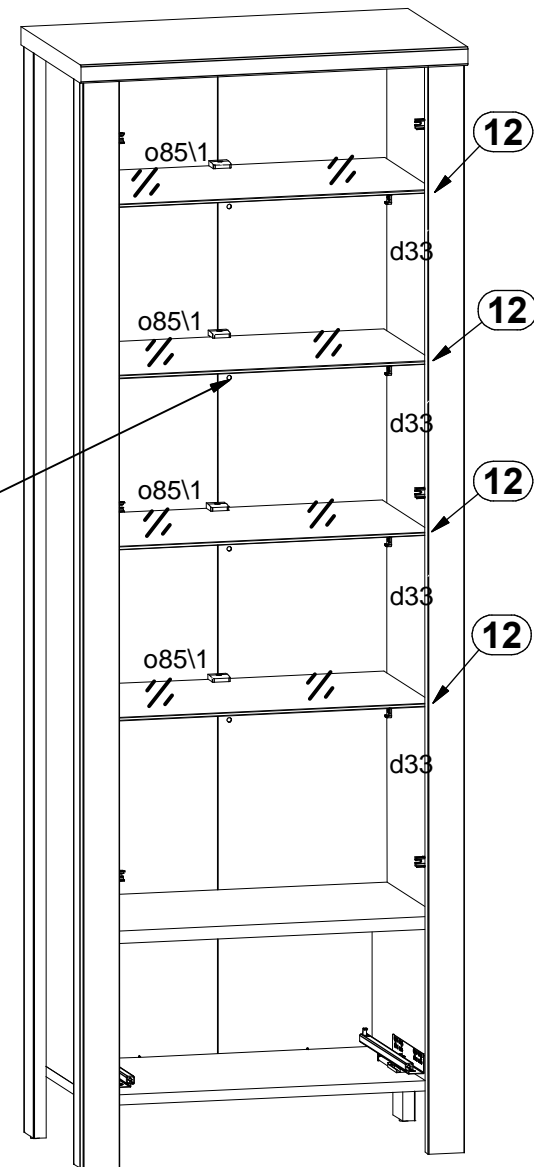
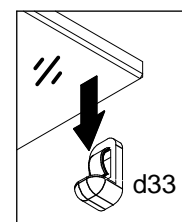
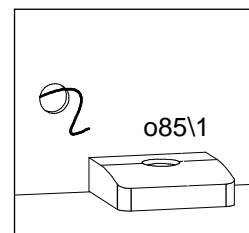
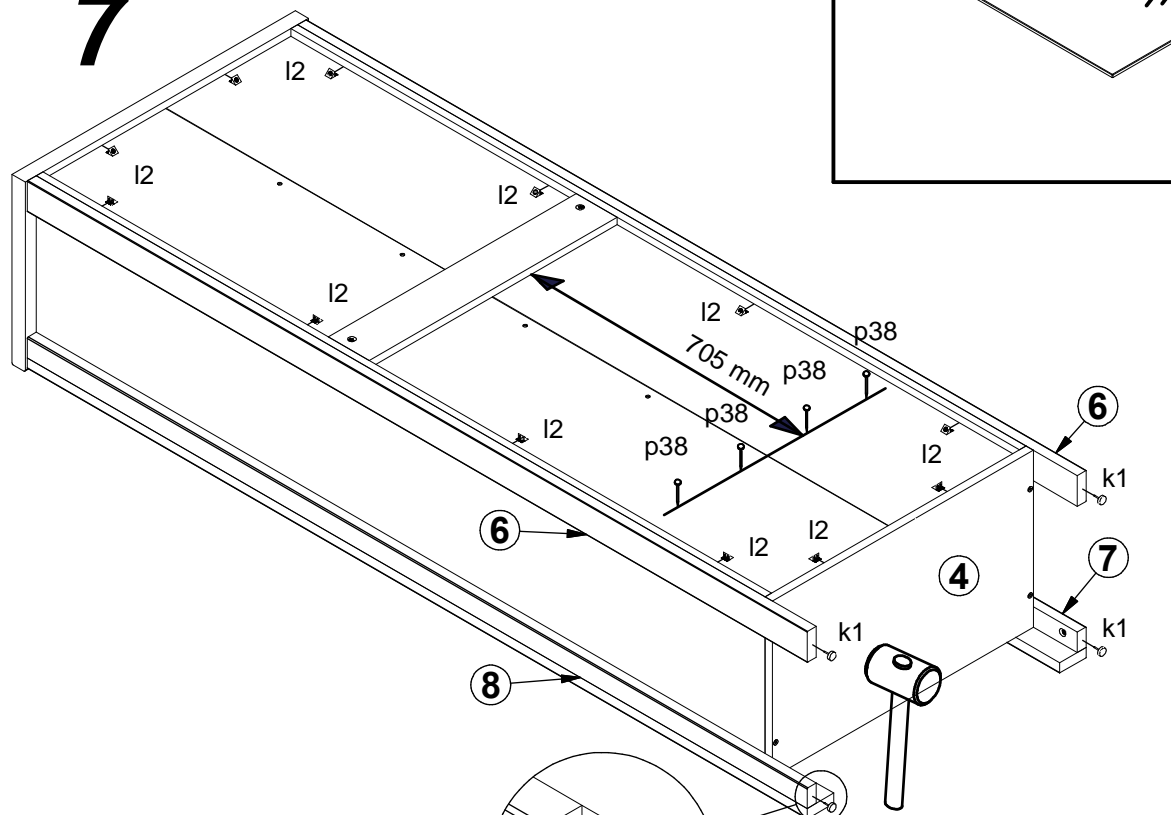
5



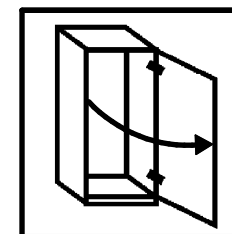
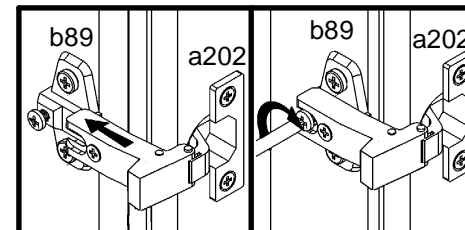
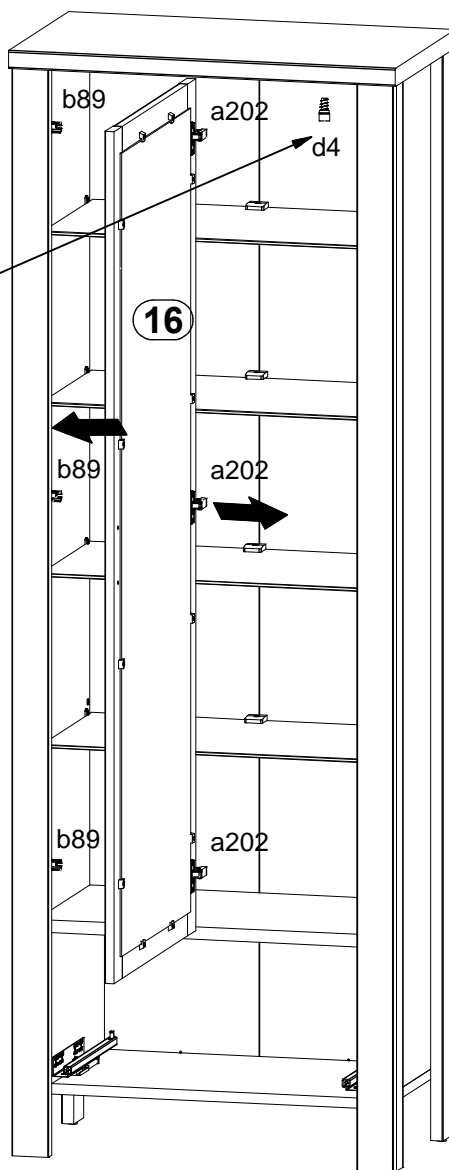
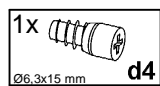
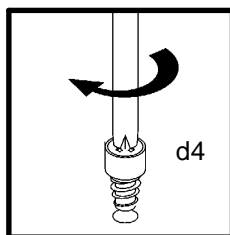
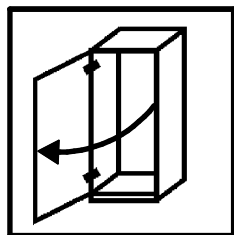


8

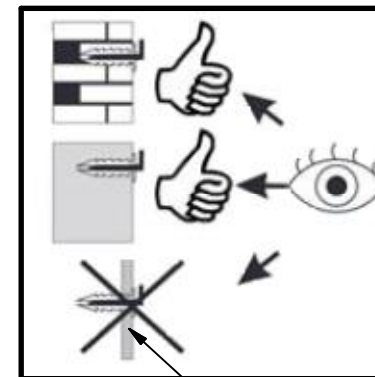
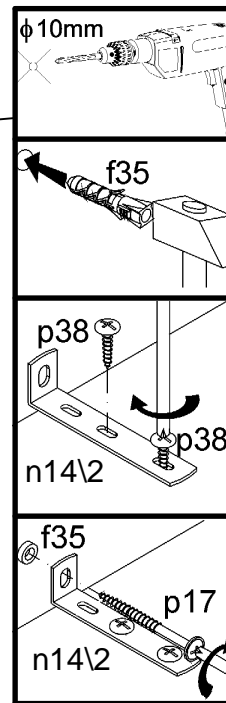
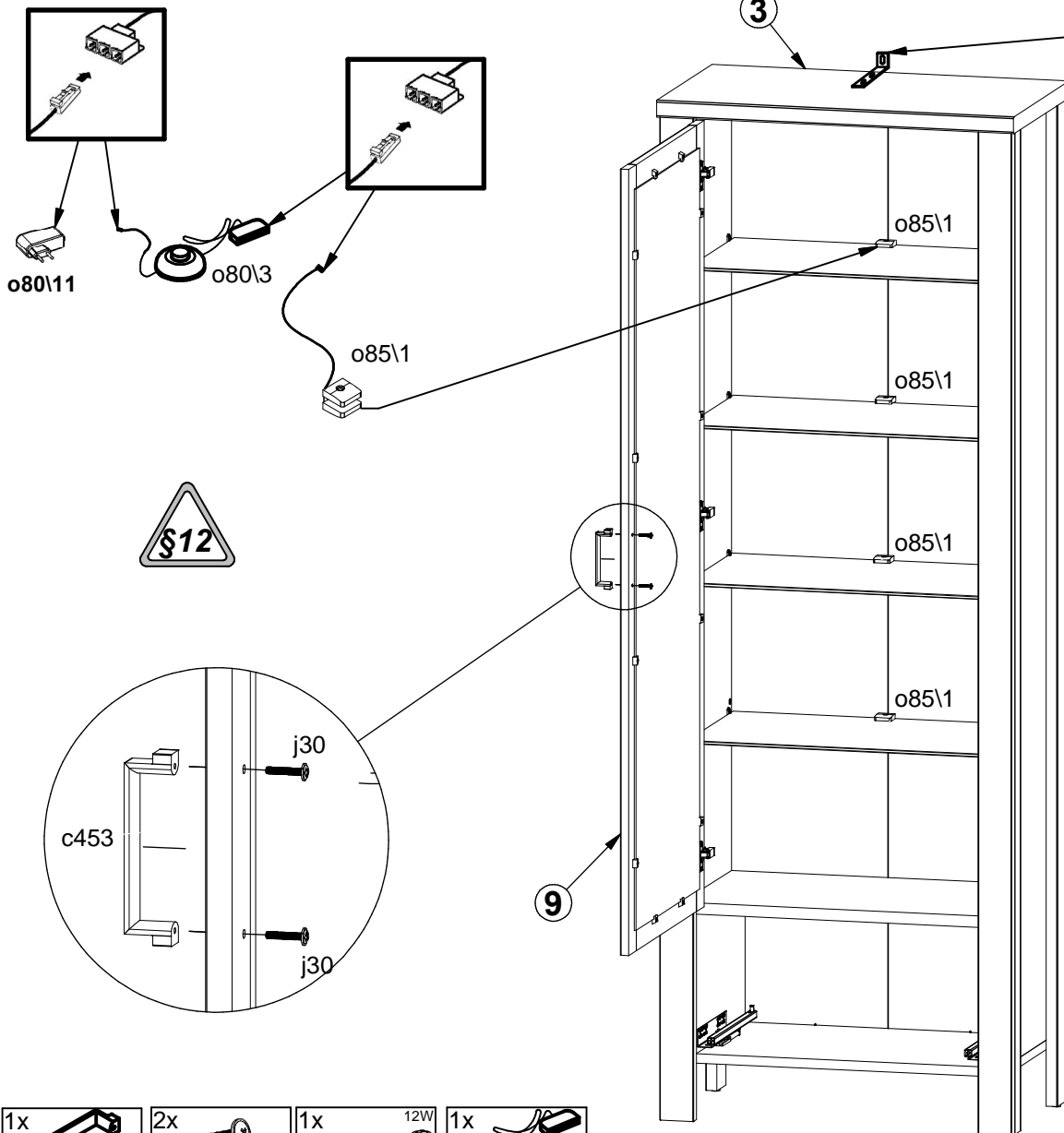
7



9



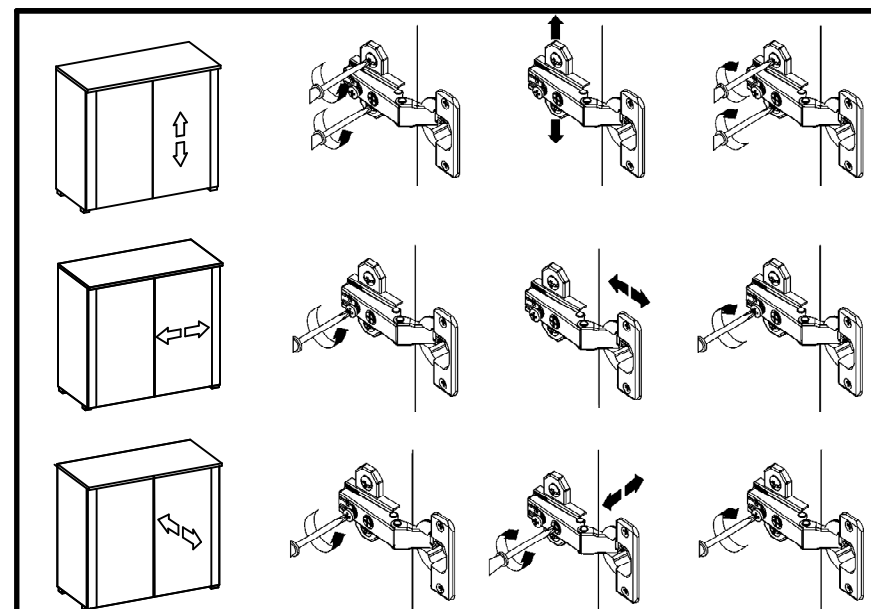
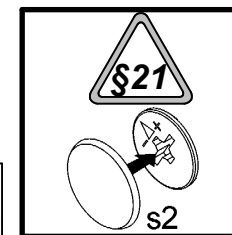
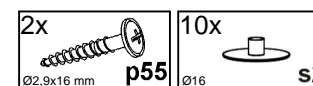
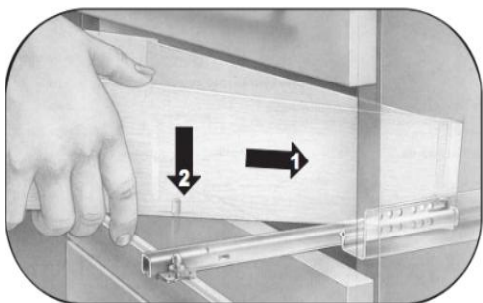
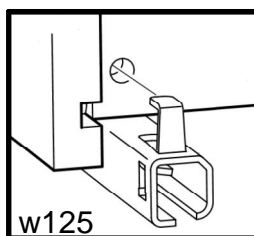
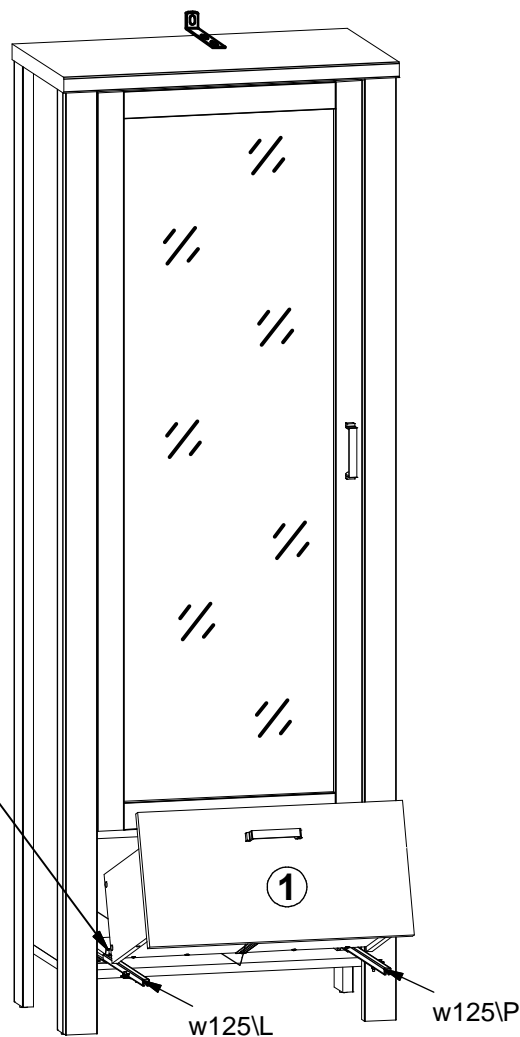
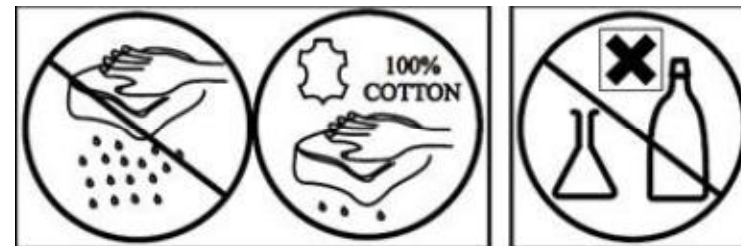
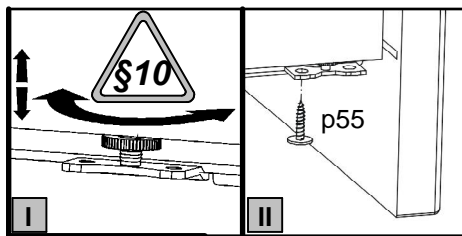
10

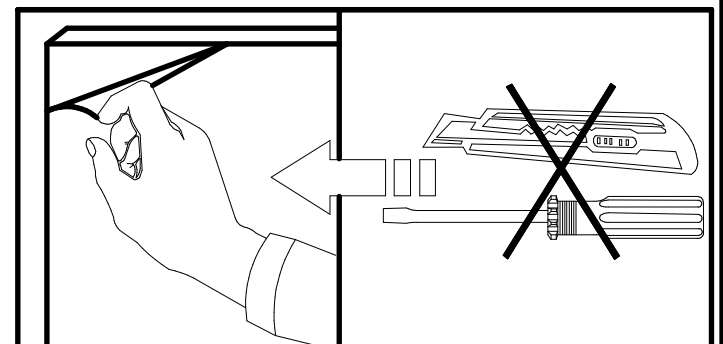
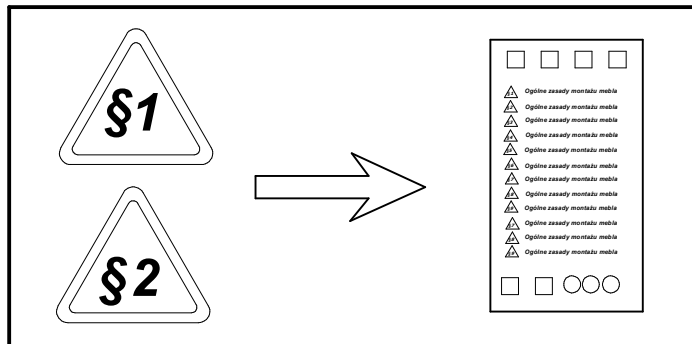
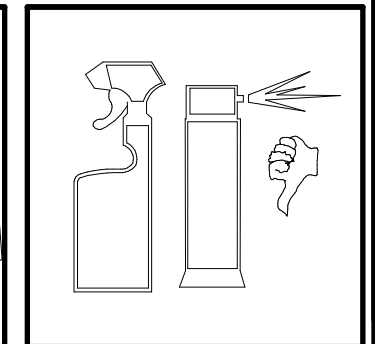
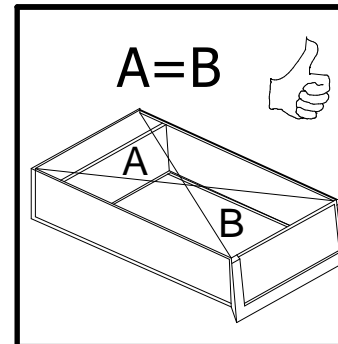
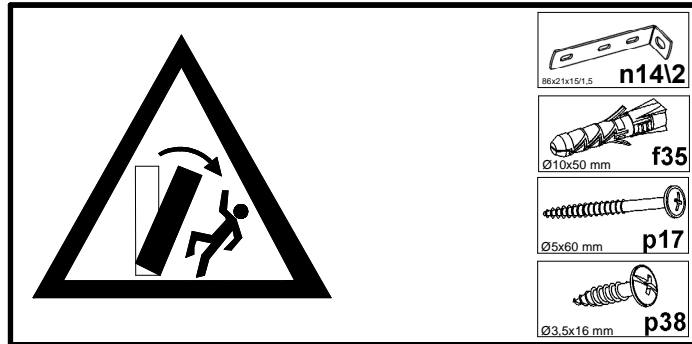
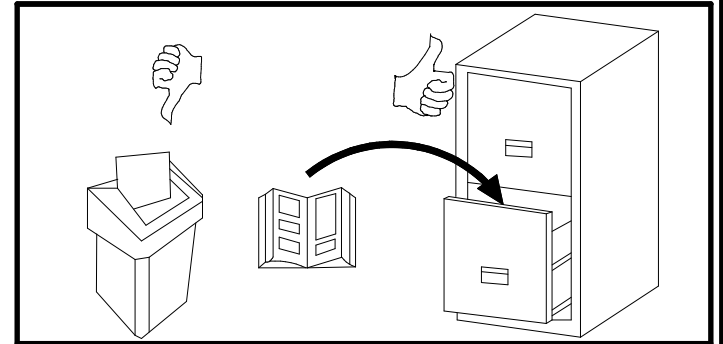
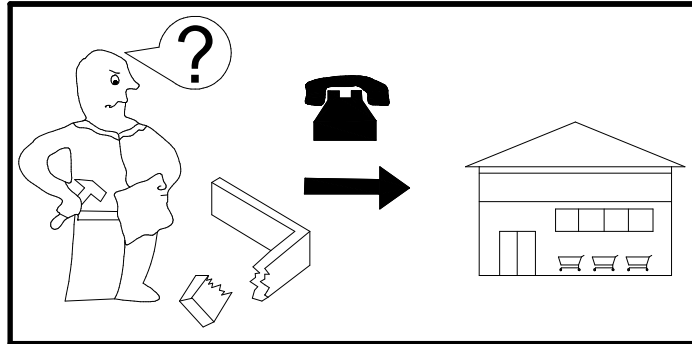
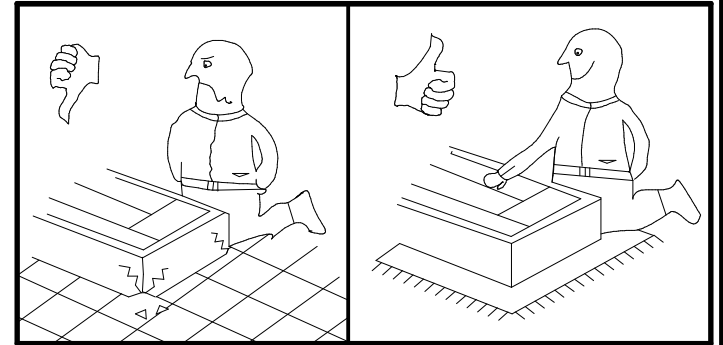
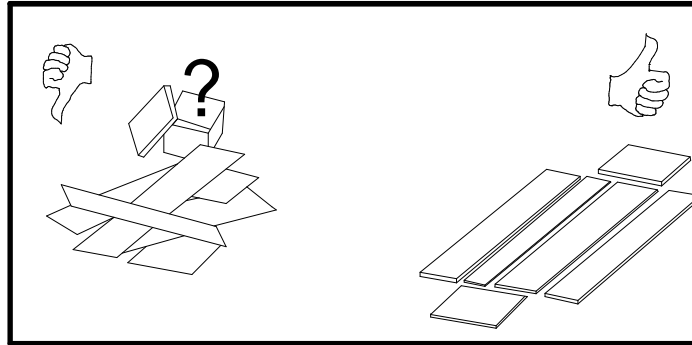
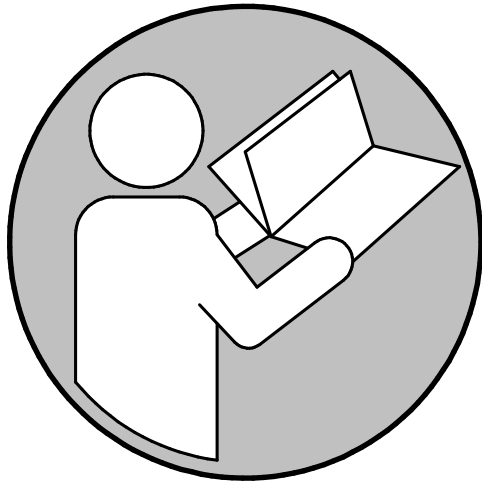


- 1x c453
- 2x M4x22 mm
- 1x j30
- 1x o80\11 12W
- 1x o80\3

- 1x f35 Ø10x50 mm
- 1x n14\2 86x21x15\1.5
- 1x p17 Ø5x60 mm
- 2x p38 Ø3.5x16 mm

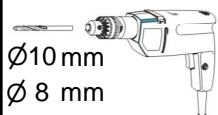
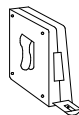
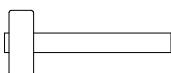
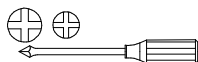
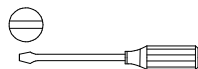
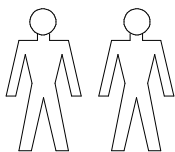
11



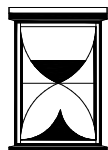
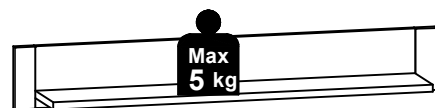


A**S510-P/2/13****10G3--40**

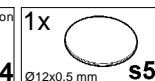
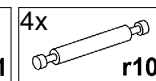
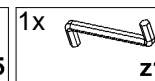
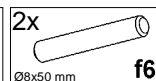
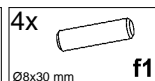
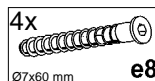
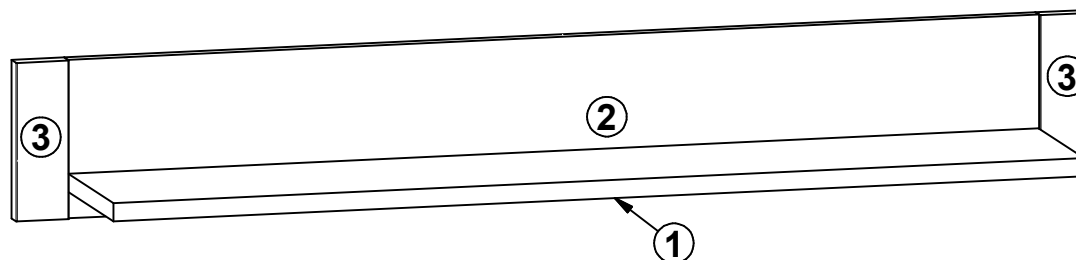
2 / 6



Ø10 mm
Ø 8 mm

**30min**

A	B	C1	C2	C3	D
1	S510-3051	1199	210	22	1/1
2	S510-4301	1200	192,	16	1/1
3	S510-5051	192,	65	22	1/1

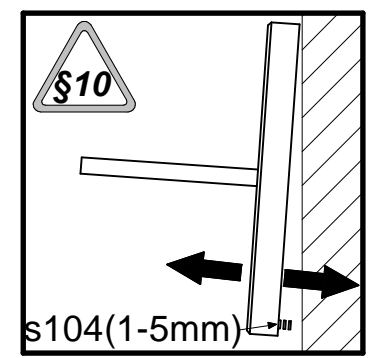
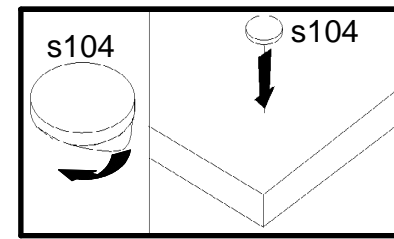
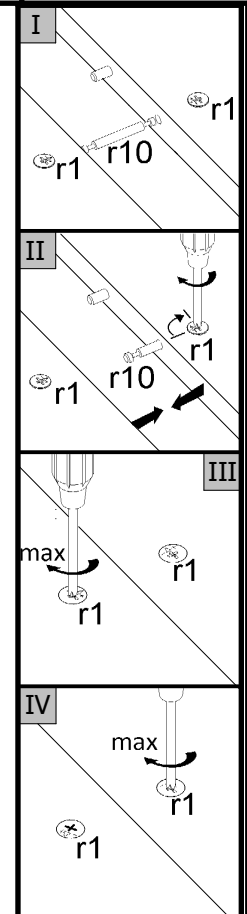
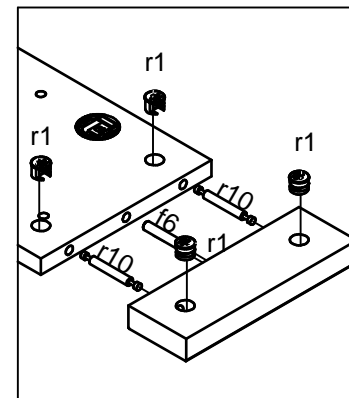
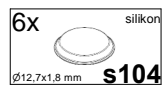
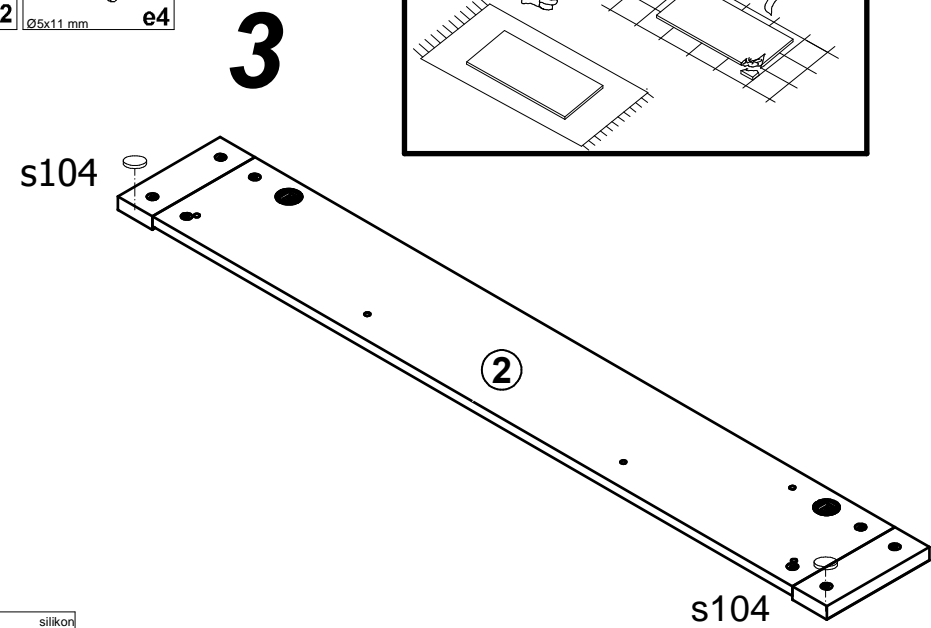
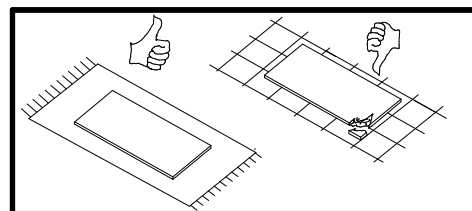
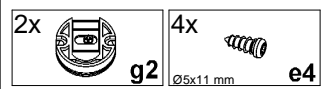
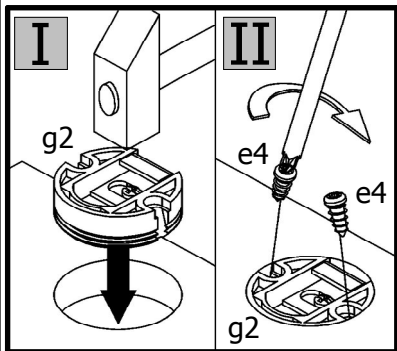
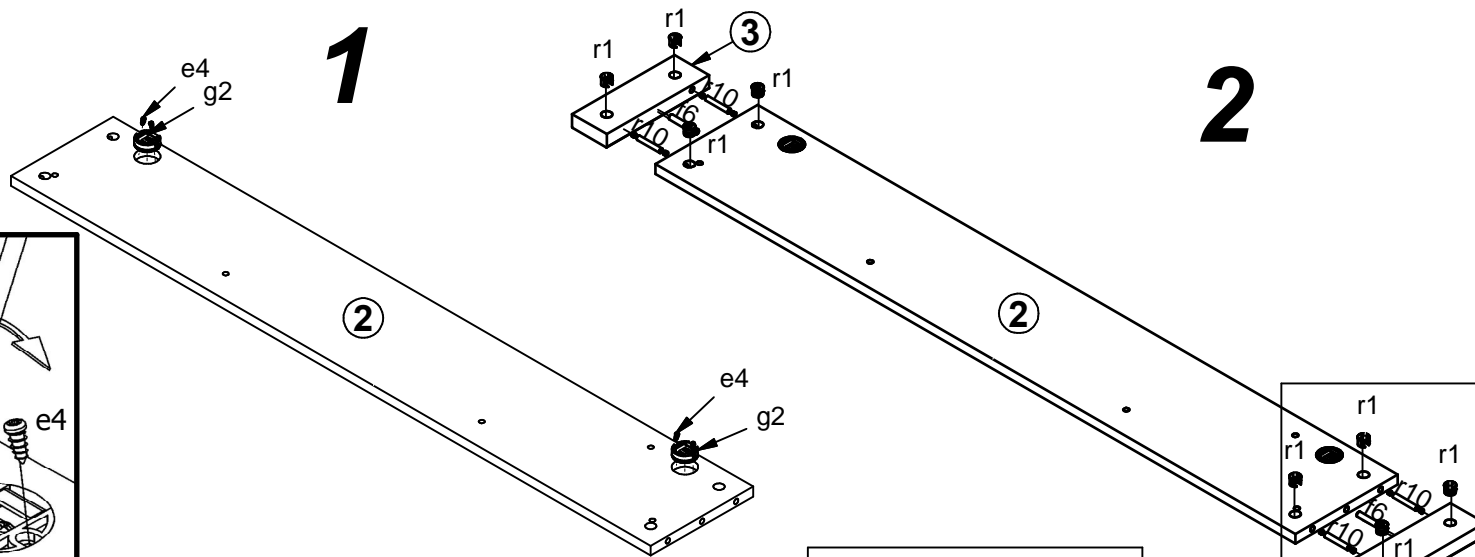


A

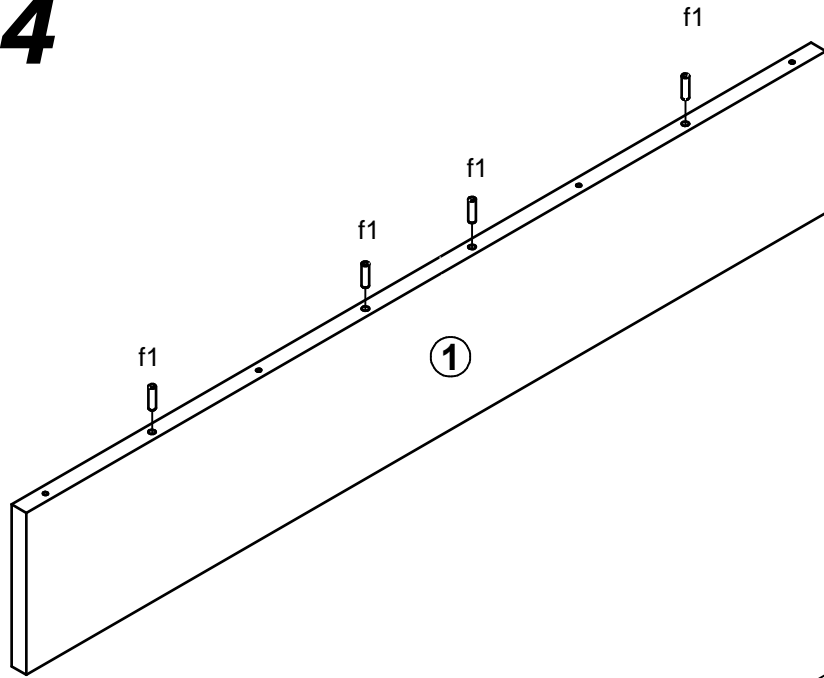
S510-P/2/13

10G3--40

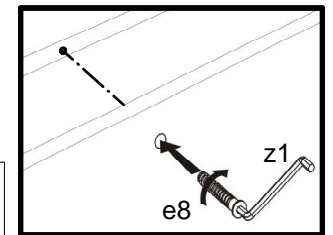
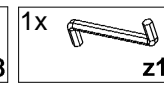
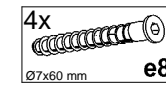
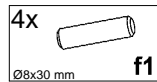
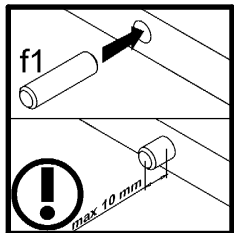
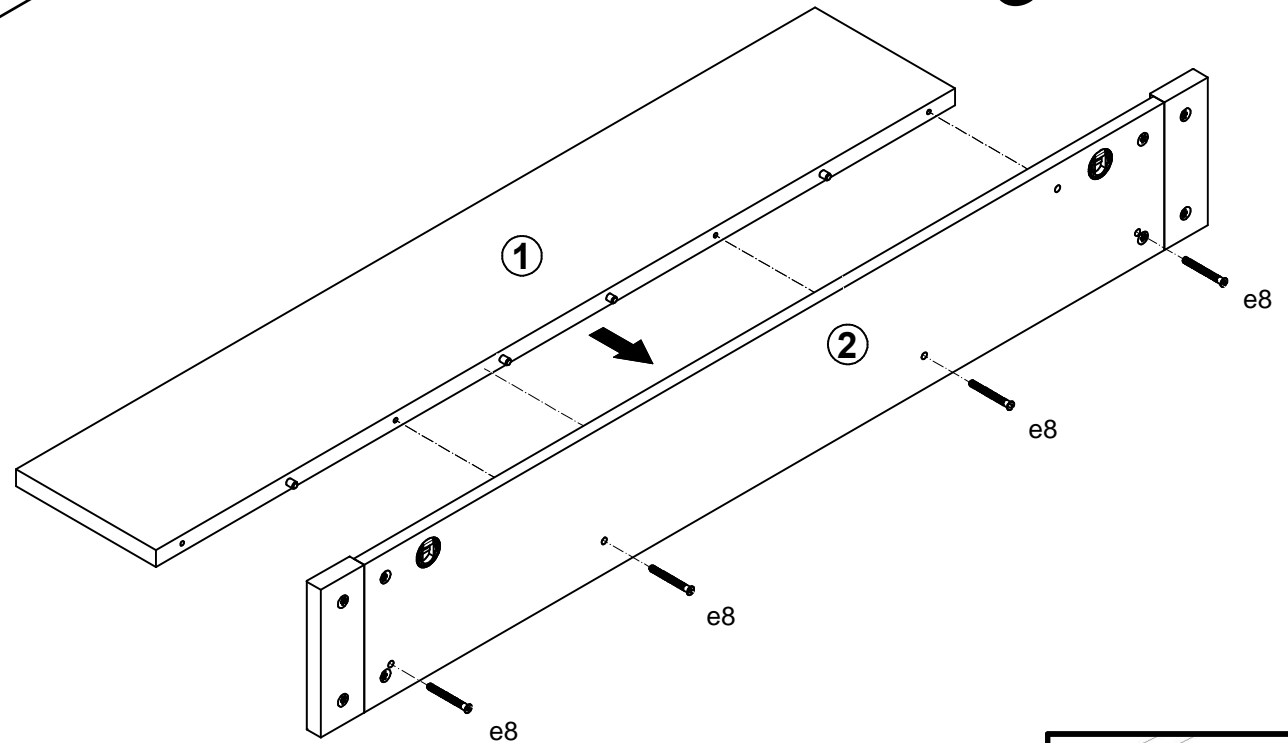
3 / 6

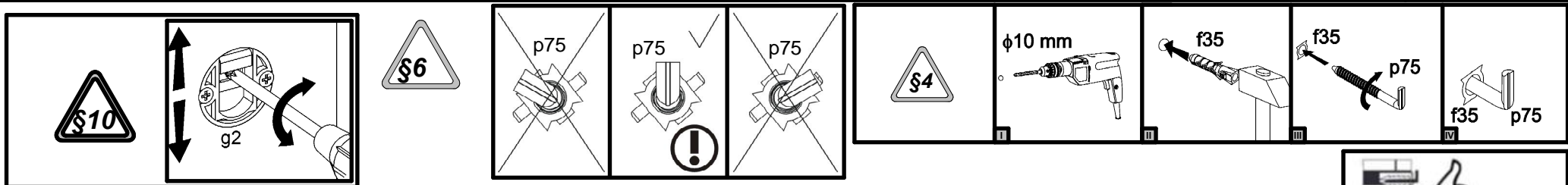


4

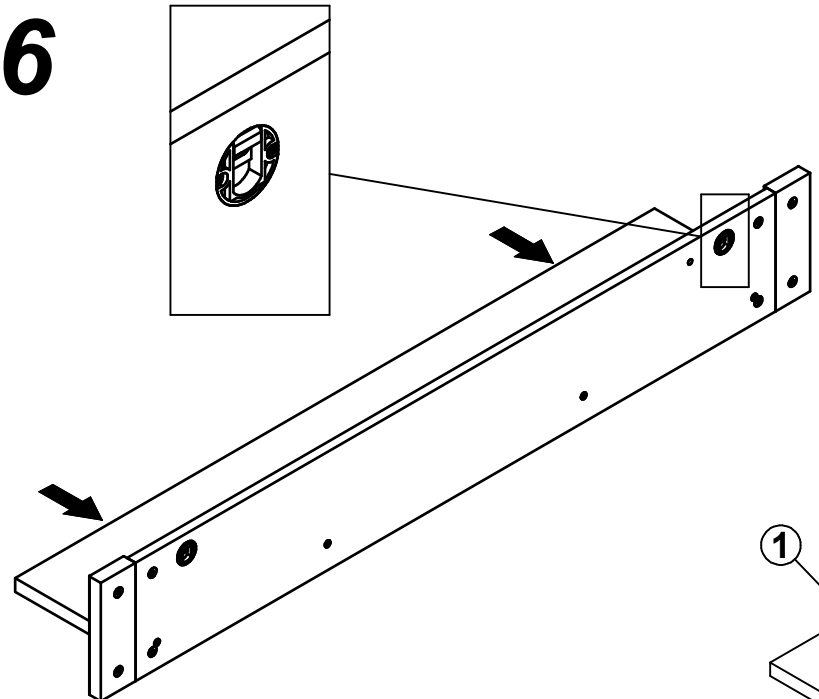


5

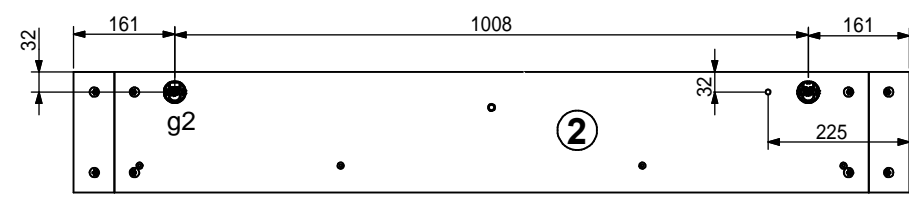
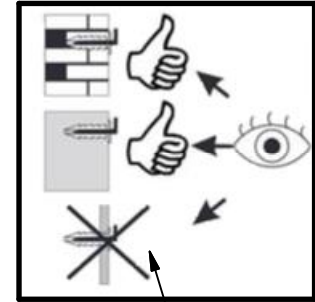
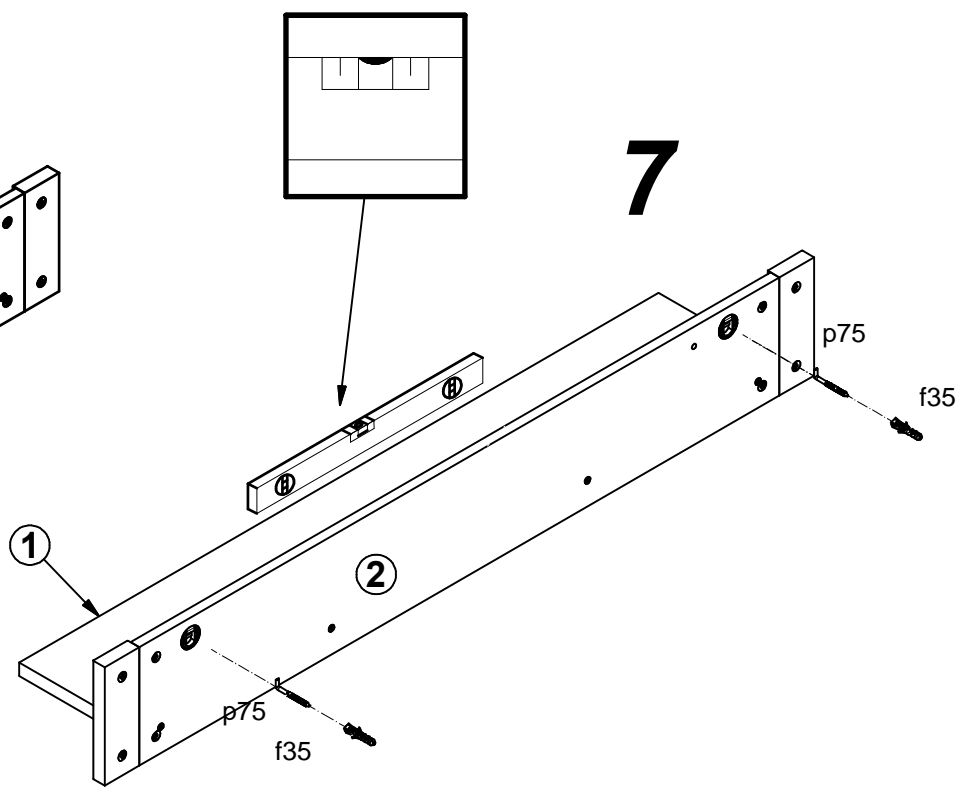




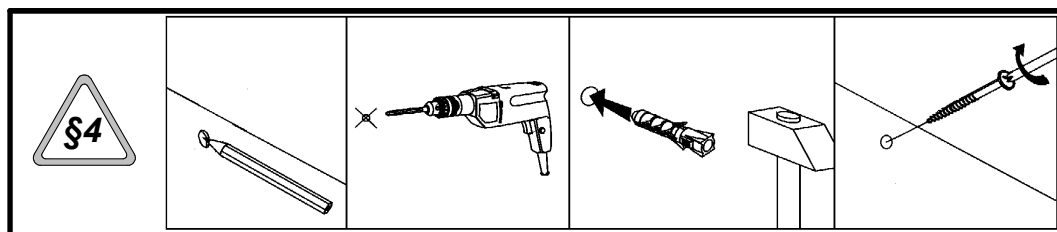
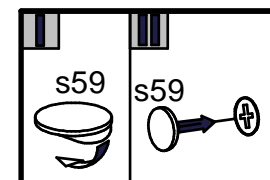
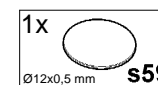
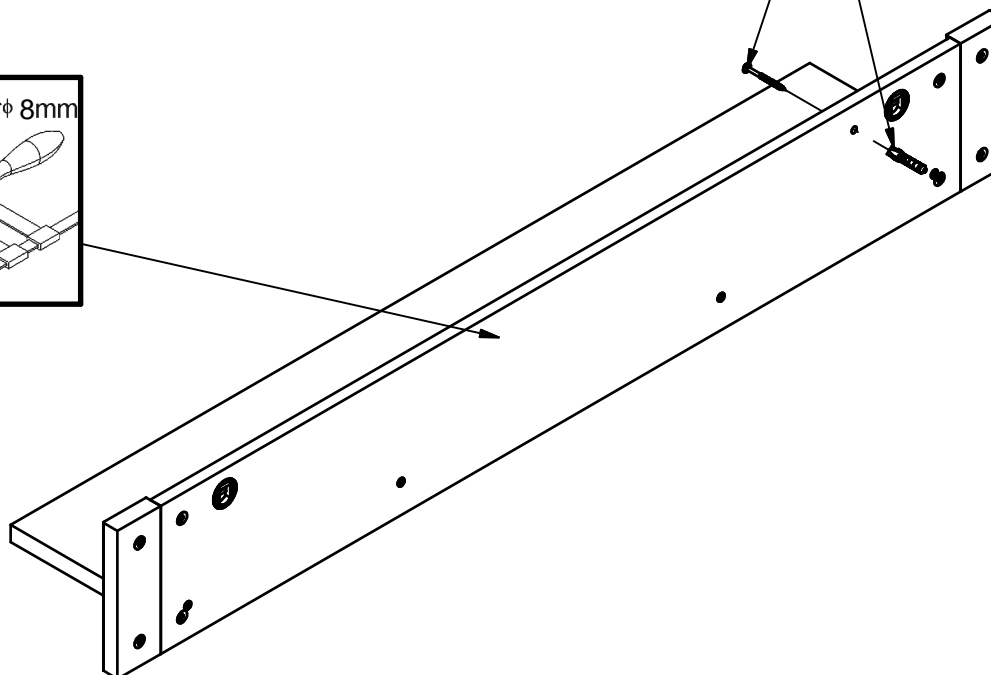
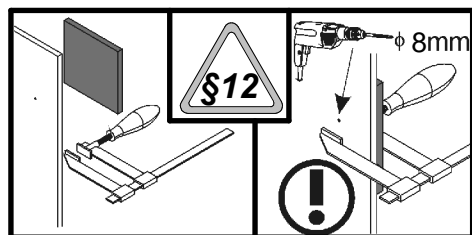
6

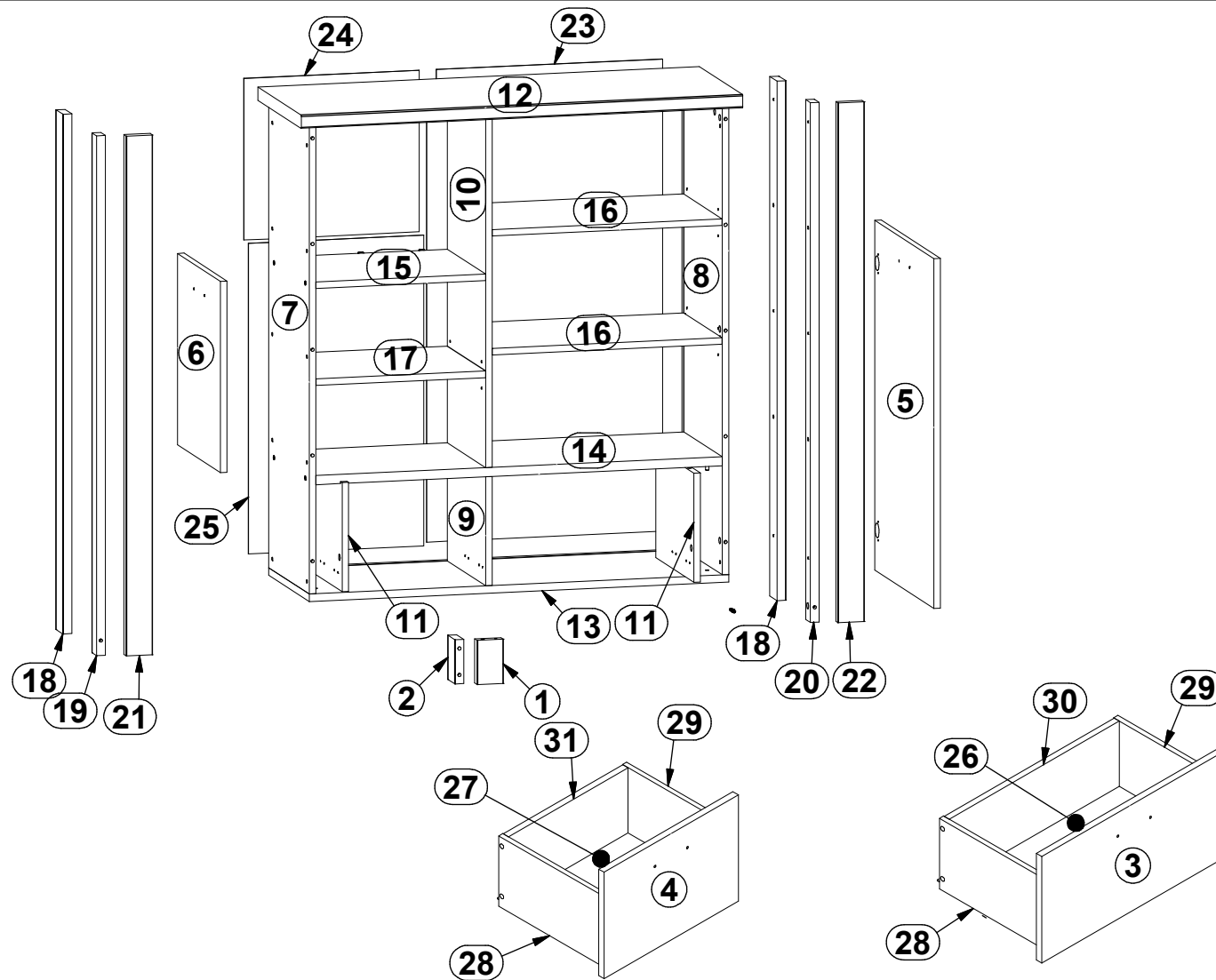


7



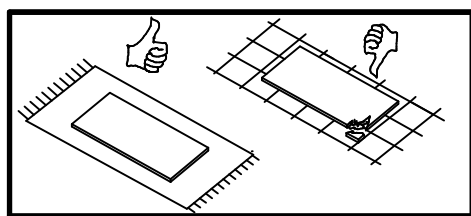
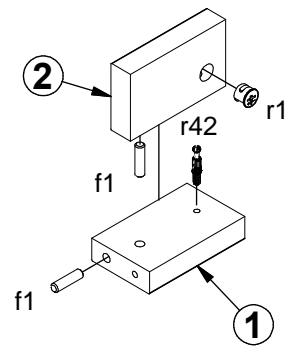
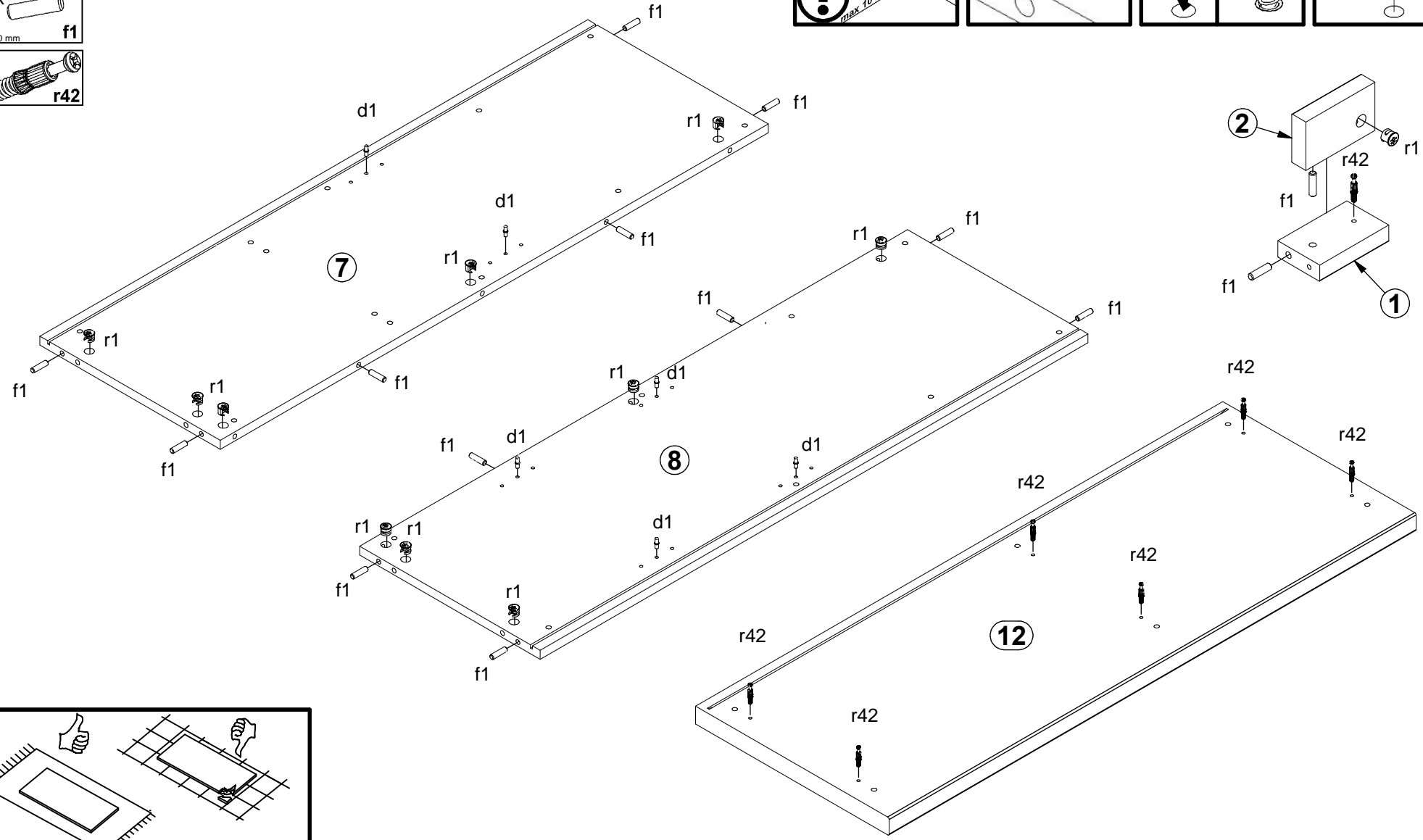
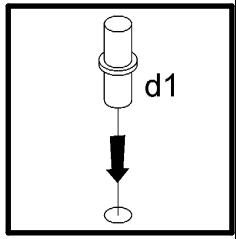
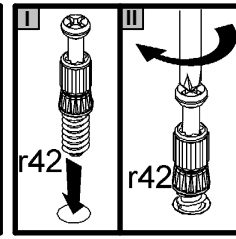
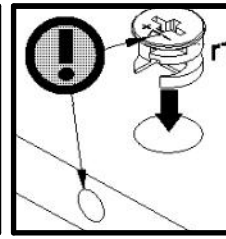
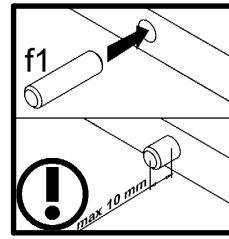
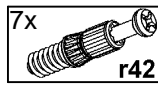
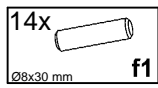
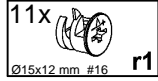
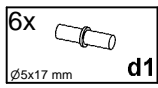
8



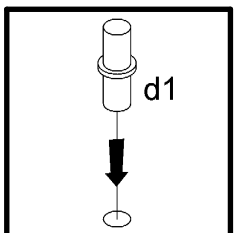
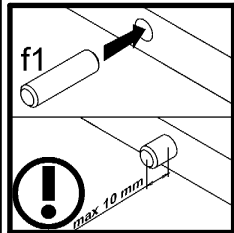
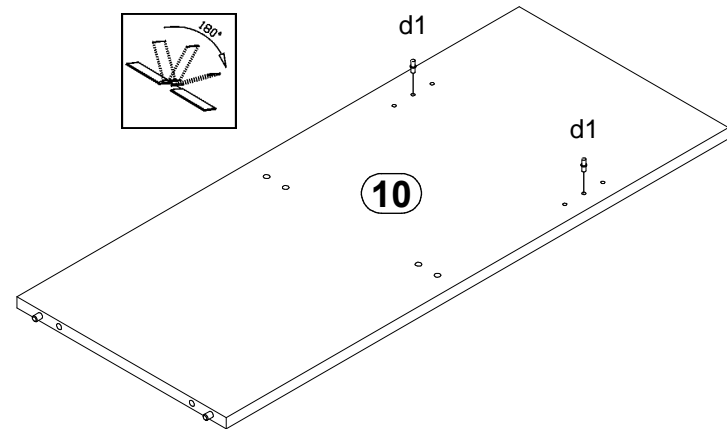
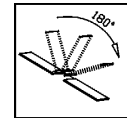
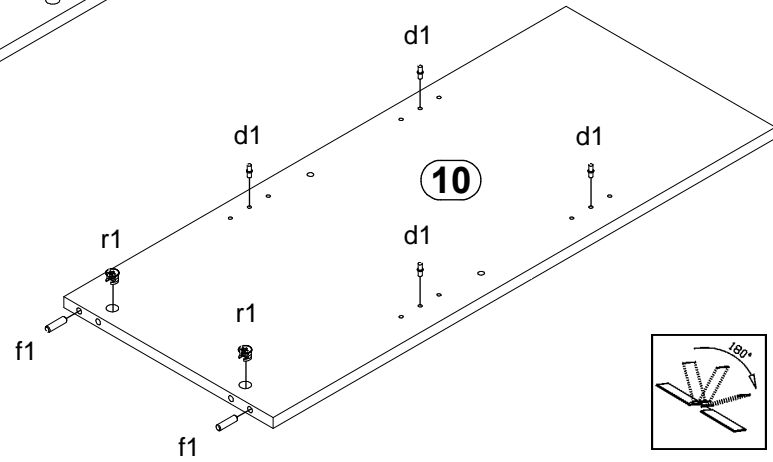
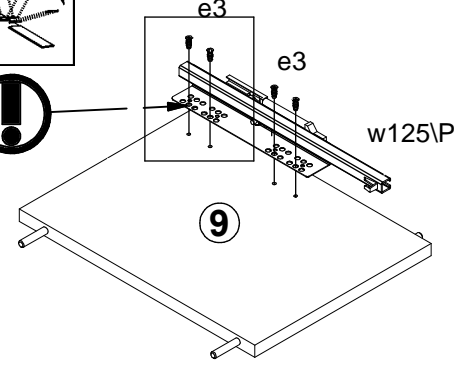
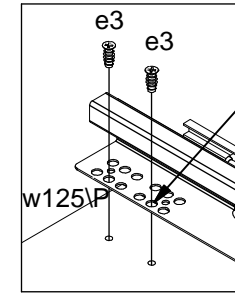
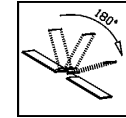
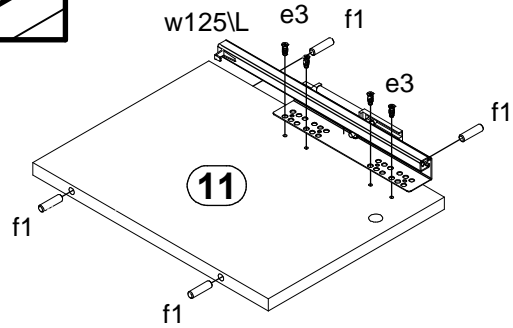
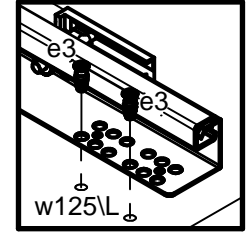
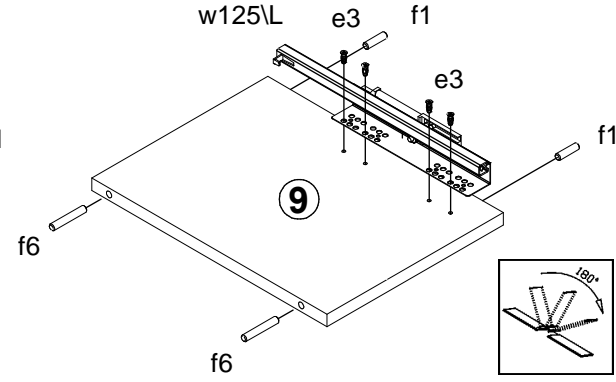
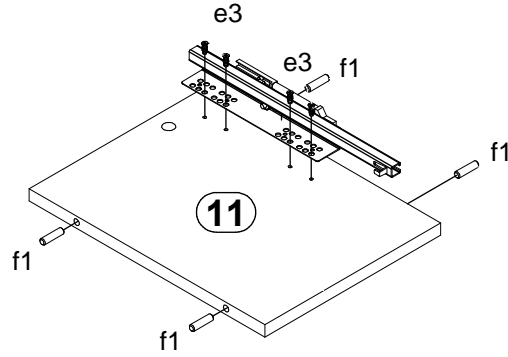
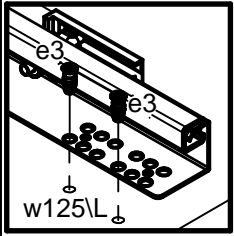
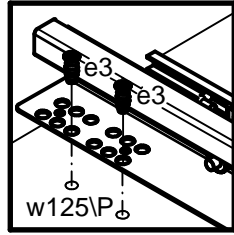


A	B	C1	C2	C3	D
1	M249-5015	107	65	22	2/3
2	M249-5025	107	65	22	2/3
3	S510-0004	545	272	16	3/3
4	S510-0005	396	272	16	3/3
5	S510-0006	847	545	16	3/3
6	S510-0007	463	396	16	3/3
7	S510-1006	1133	373	16	2/3
8	S510-1007	1133	373	16	2/3
9	S510-1008	264,	353	16	2/3
10	S510-1009	847,	353	16	2/3
11	S510-1010	264,	353	16	3/3
12	S510-2003	1090	400	32	1/3
13	S510-2004	1036	373	18	1/3
14	S510-3005	1004	353	22	1/3
15	S510-3006	419,5	353	16	1/3
16	S510-3007	567	353	16	3/3
17	S510-3008	419,	353	16	1/3
18	S510-5019	1258	65	22	2/3
19	S510-5020	1258	43	22	2/3
20	S510-5021	1258	43	22	2/3
21	S510-5022	1258	65	22	2/3
22	S510-5023	1258	65	22	2/3
23	S510-9001	1143	582	2,5	3/3
24	S510-9002	391	433	2,5	3/3
25	S510-9007	752	433	2,5	3/3
26	WSP-9314	512	308	2,5	1/3
27	WSP-9315	363	308	2,5	1/3
28	ZQ6-501	300	180	12	3/3
29	ZQ6-502	300	180	12	3/3
30	ZQ6-5105	502	167	15	3/3
31	ZQ6-5106	353	167	15	1/3

4x a202	4x b89	4x c453	12x d1 Ø5x17 mm	15x e1 Ø7x50 mm	10x n108 20x13x3,5	14x p55 Ø2,9x16 mm	8x j30 M4x22 mm	5x k1	12x l2	1x p25 Ø3,5x16 mm	1x p35 Ø3,5x10 mm	16x e3 Ø6x13 mm
12x e22 Ø7x28 mm	30x f1 Ø8x30 mm	2x f6 Ø8x50 mm	8x f13 Ø8x20 mm	8x f25 Ø6,5x40 mm	10x p38 Ø3,5x16 mm	8x p51 Ø3,5x15 mm	15x r1 Ø15x12 mm #16	8x r15 Ø12x10,5 mm #12	23x r42 20/11	1x t25 300 mm	2x w125/P 300mm	2x w125/L 300mm
1x z1	8x s1	10x s2 Ø16	1x f35 Ø10x50 mm	1x p17 Ø5x60 mm	2x p38 Ø3,5x16 mm	1x n142 86x21x15/1,5						

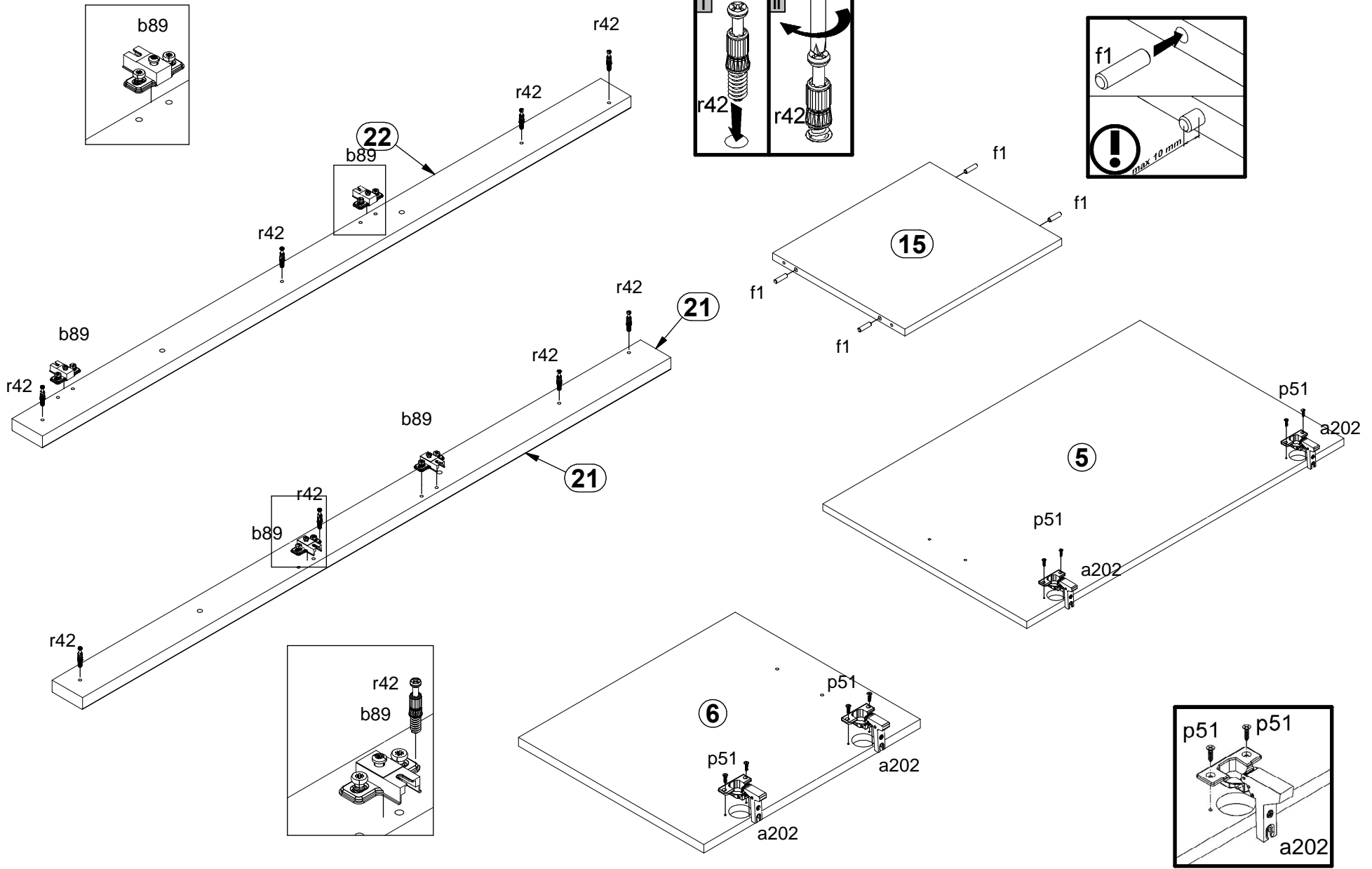





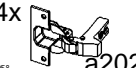

1



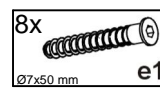
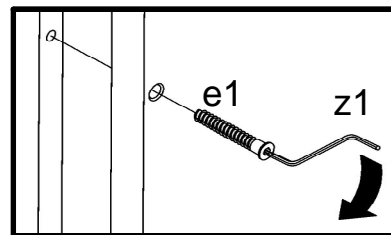
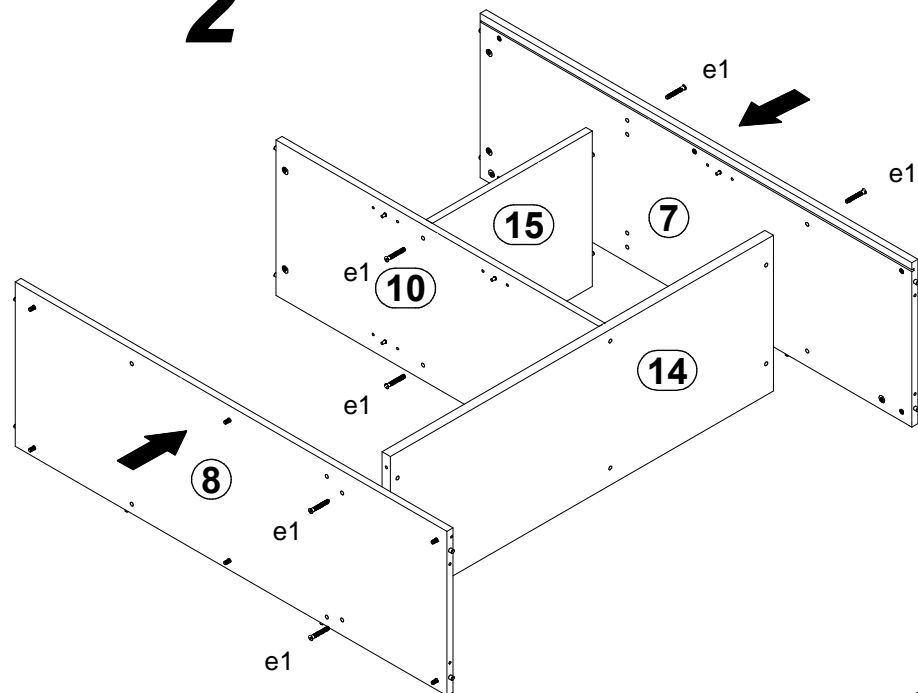
2x Ø8x50 mm f6	2x Ø15x12 mm #16 r1	12x Ø8x30 mm f1	6x Ø5x17 mm d1
2x 300mm w125\L	16x Ø6x13 mm e3	2x 300mm w125\P	

1

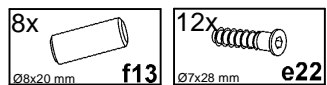
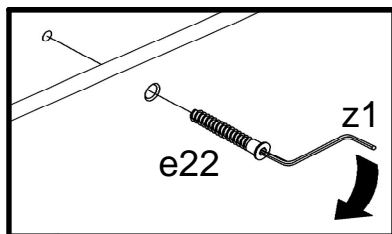
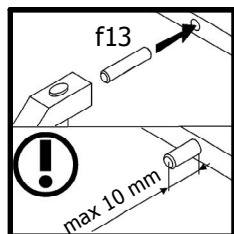
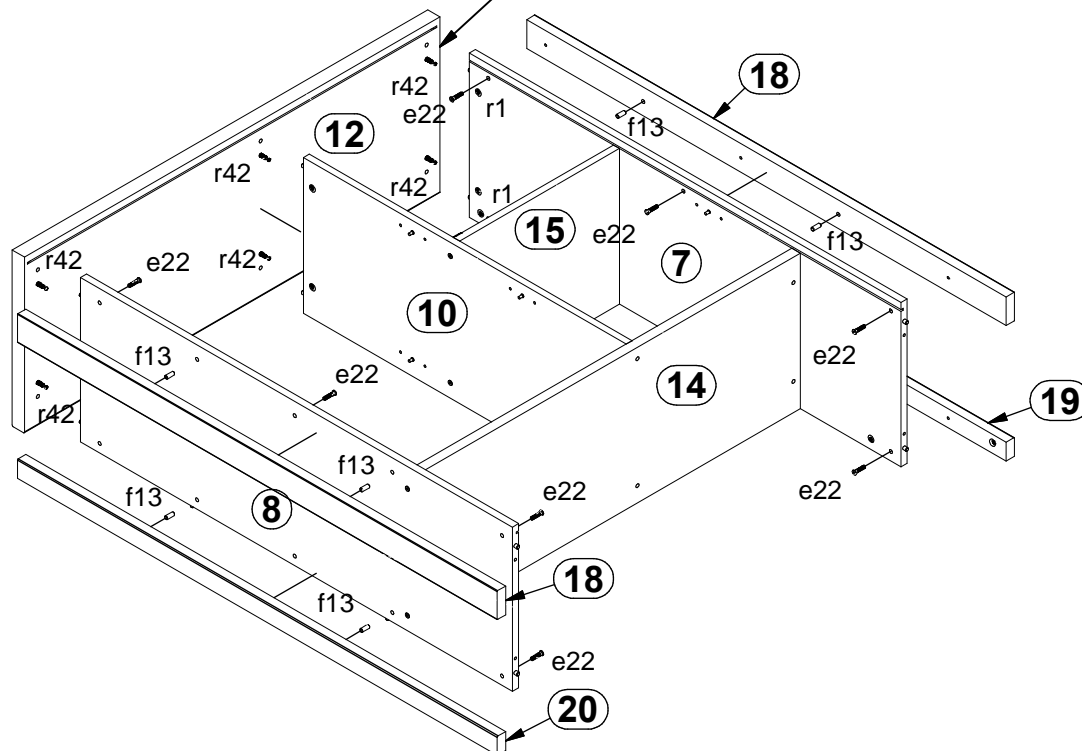
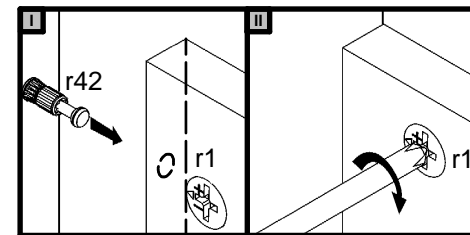


- 8x

r42
- 4x

b89
- 8x

p51
- 4x

a202
- 4x

f1

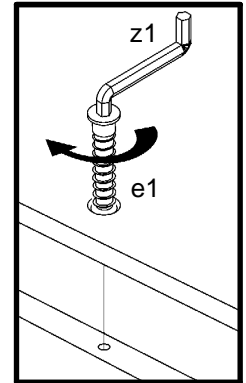
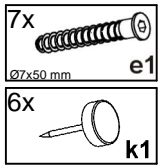
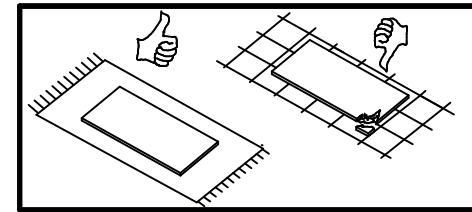
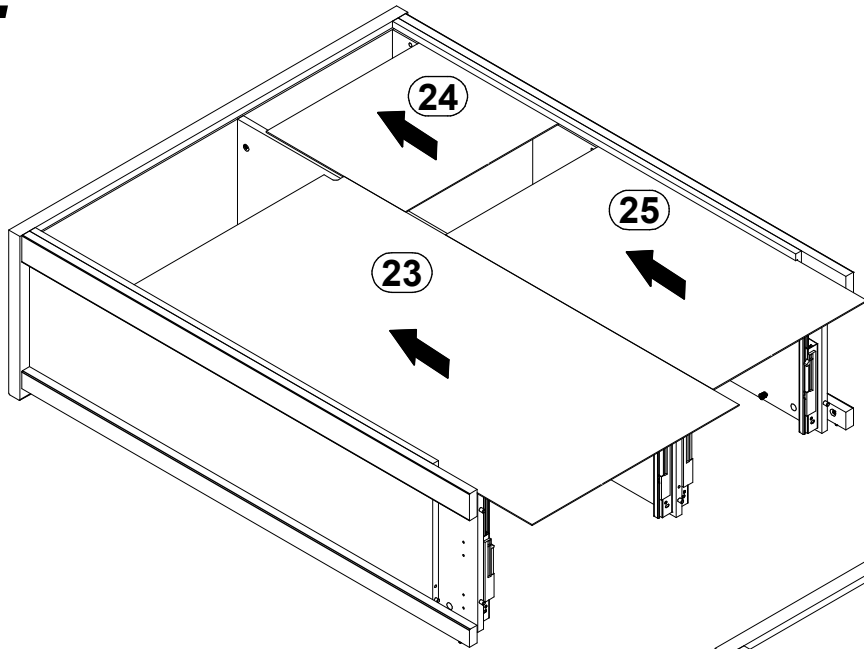
2



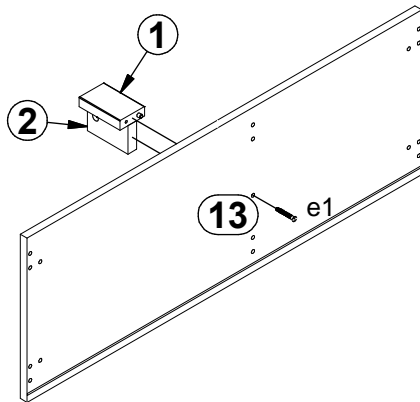
3



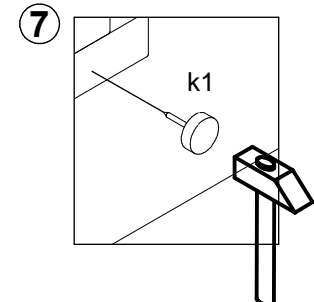
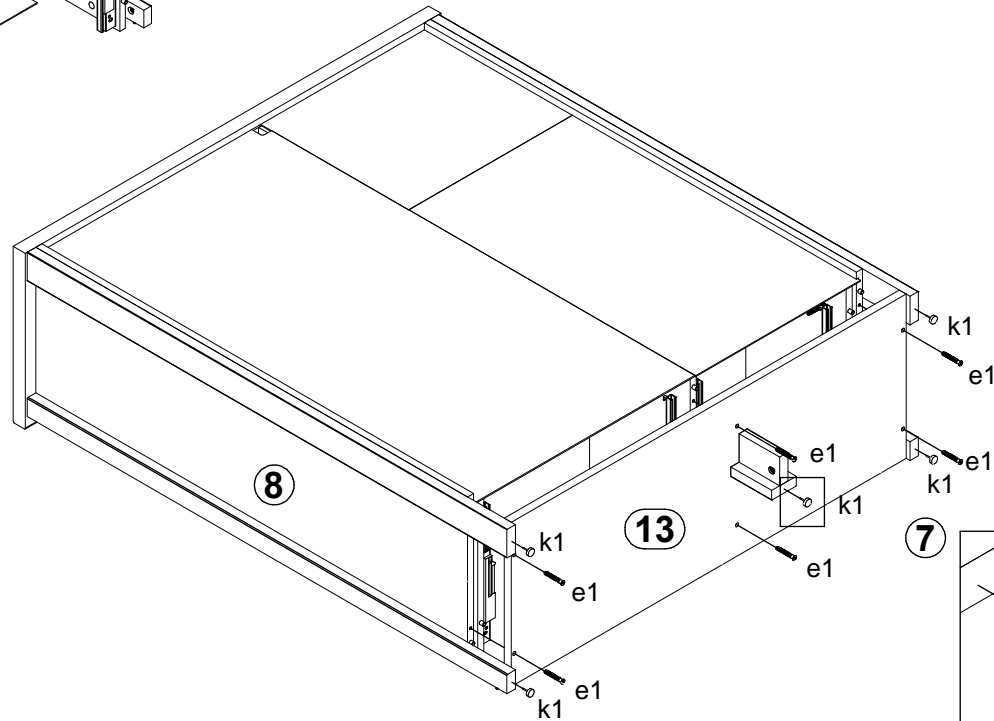
4

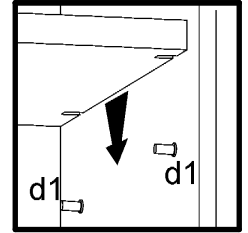
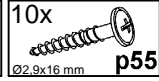
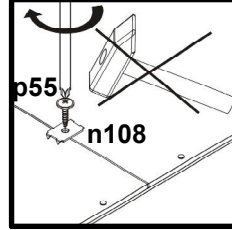
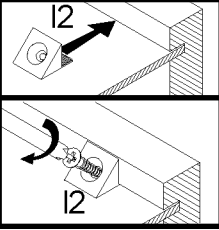
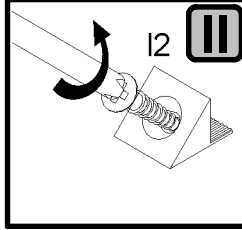
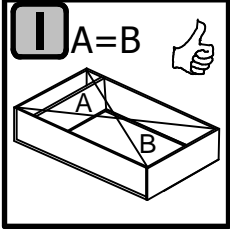


5

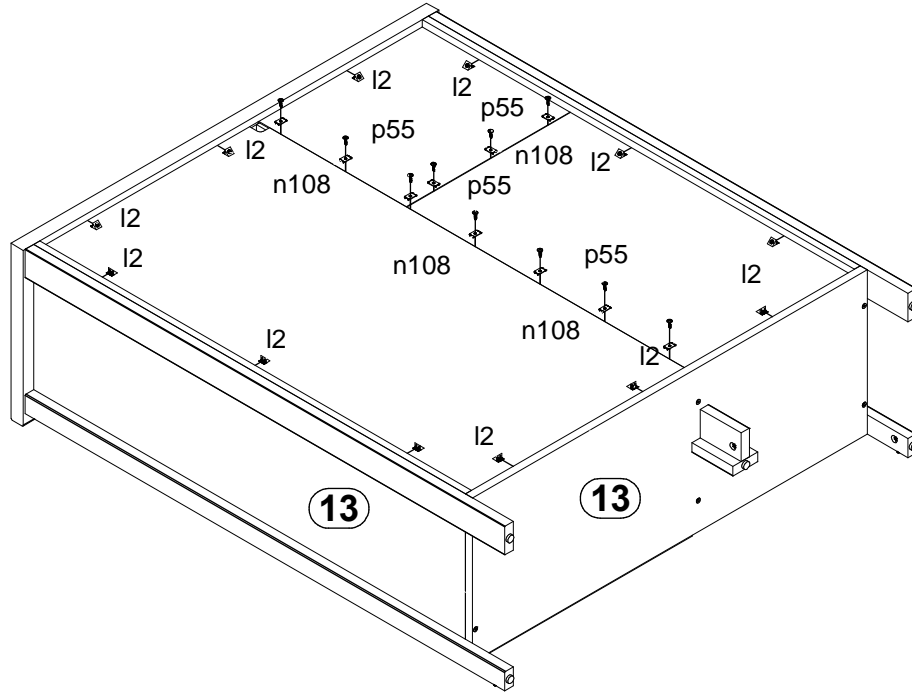


6

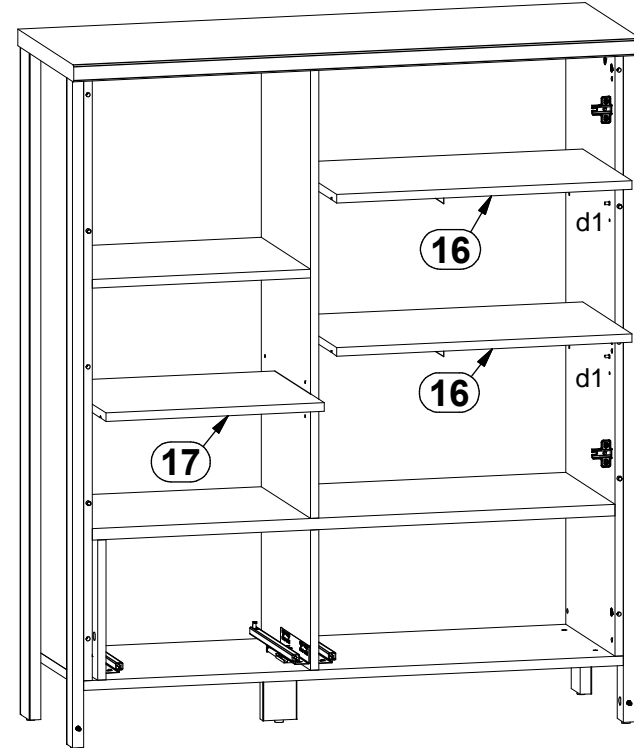


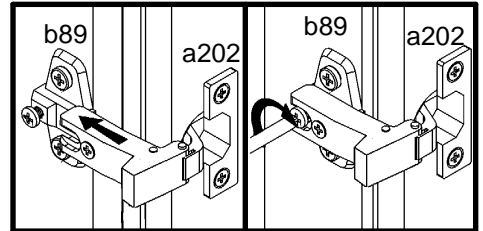
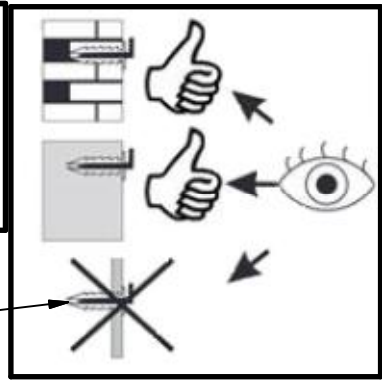
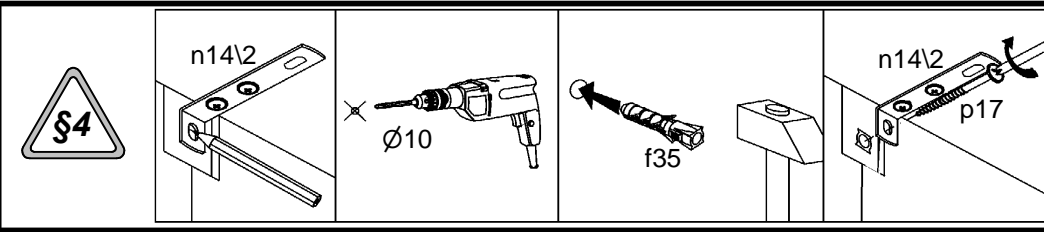
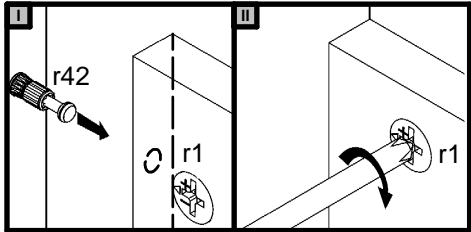


7

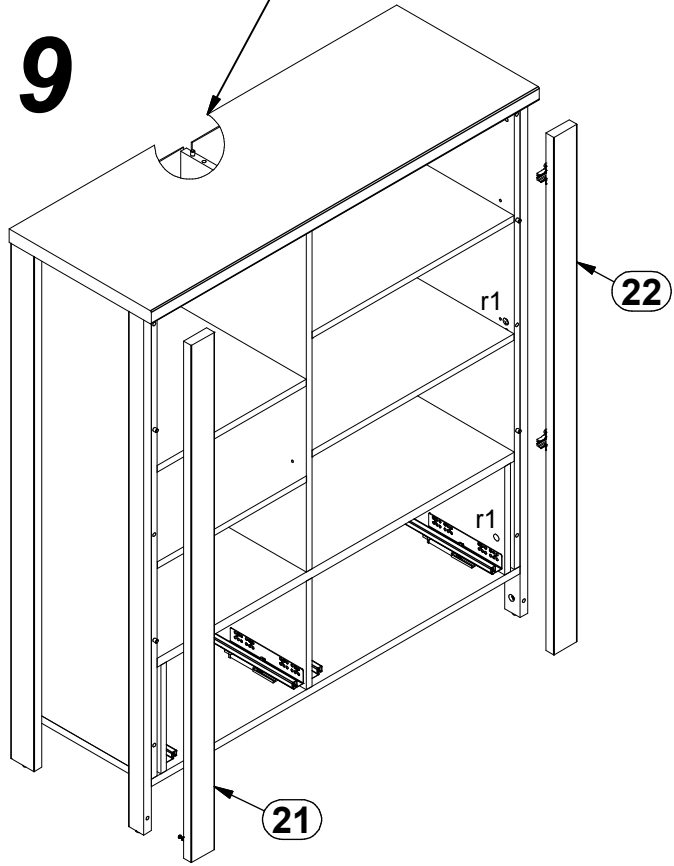


8

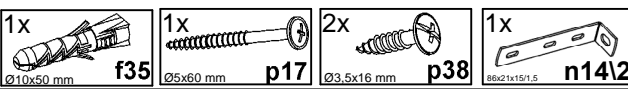
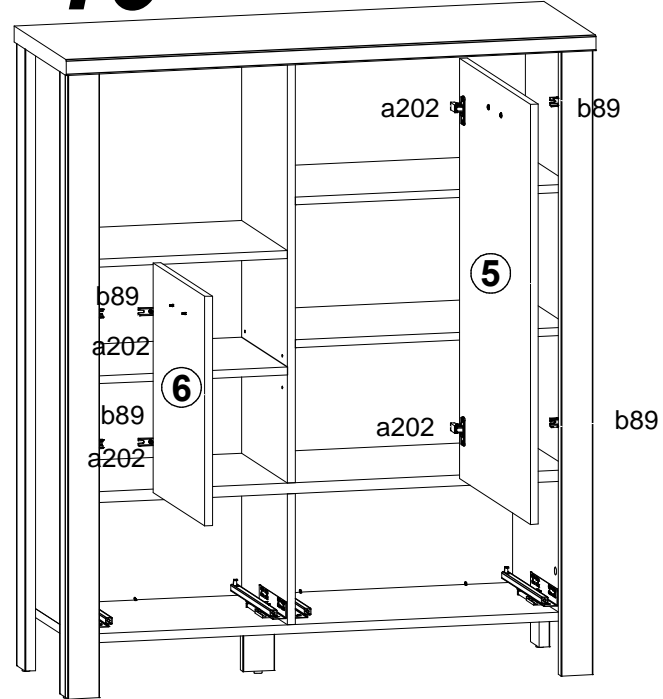


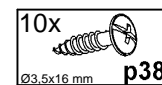
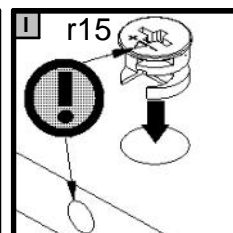
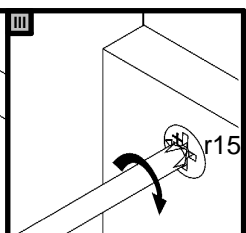
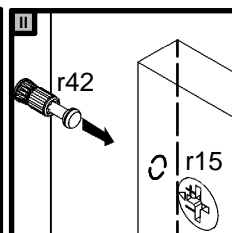
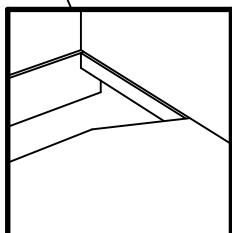
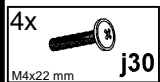
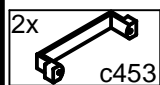
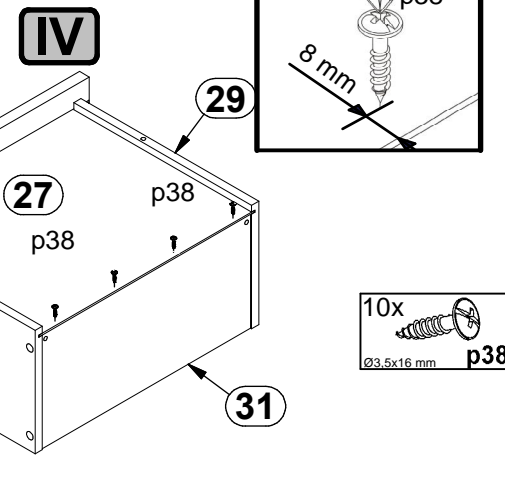
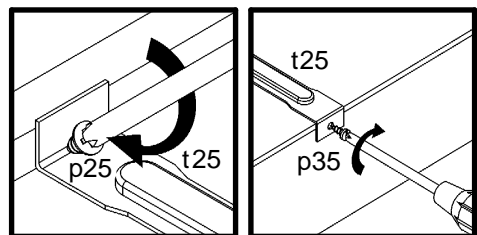
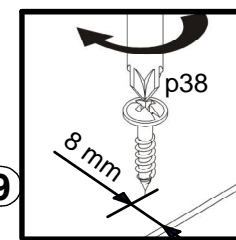
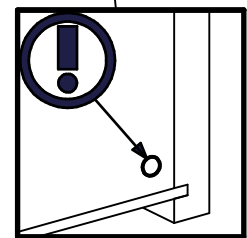
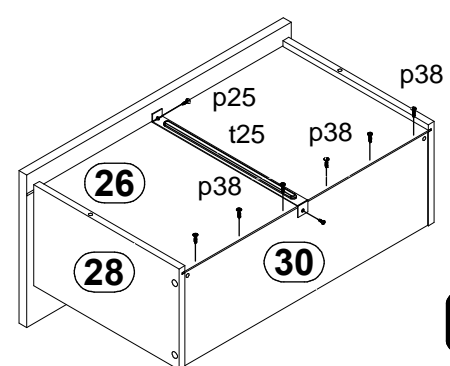
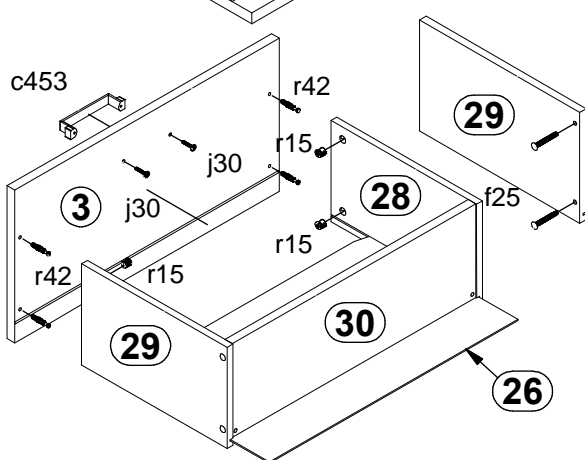
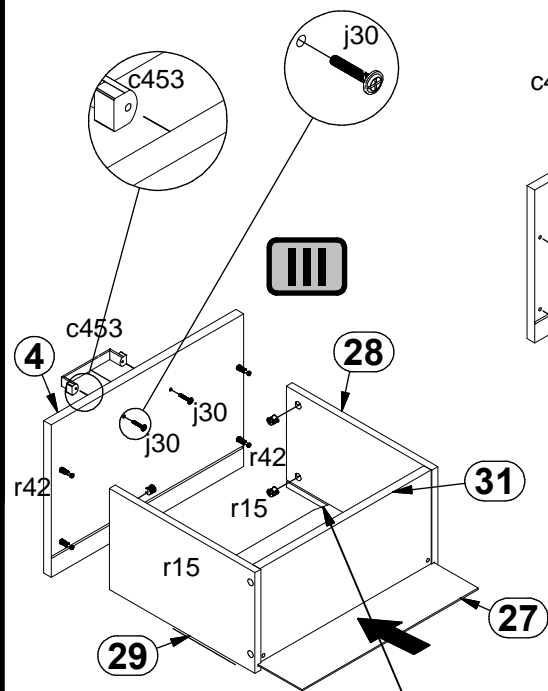
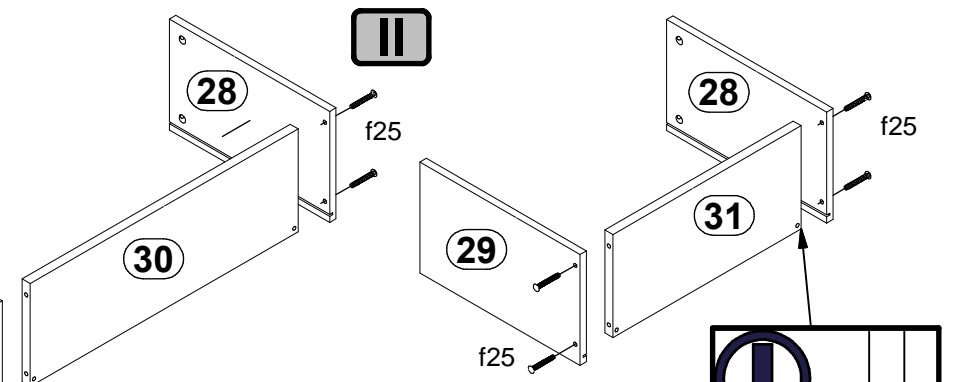
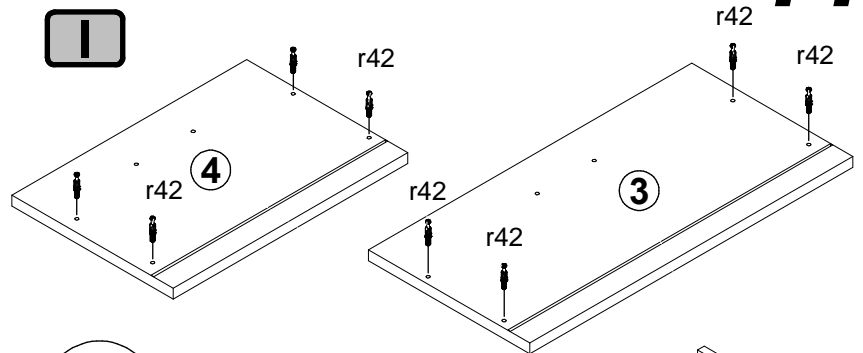
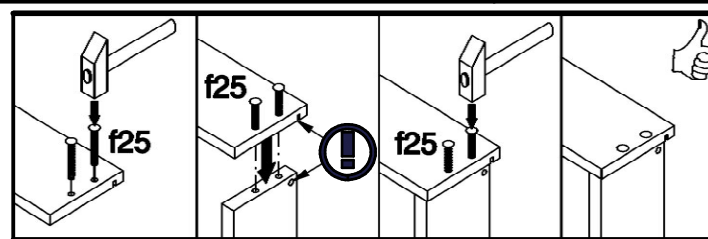
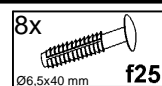
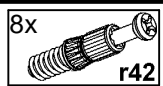
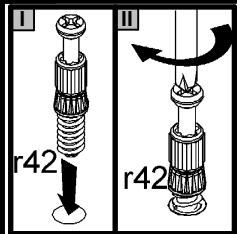


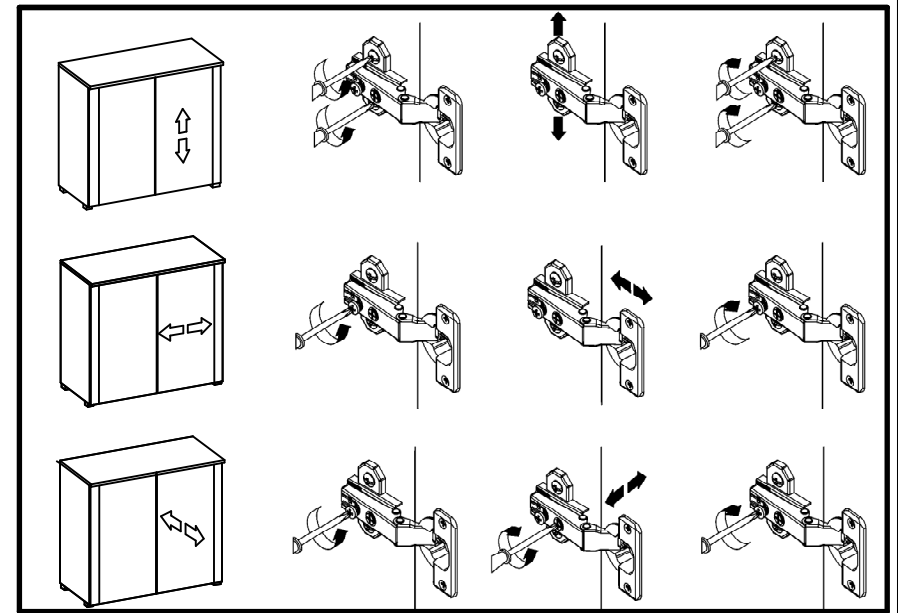
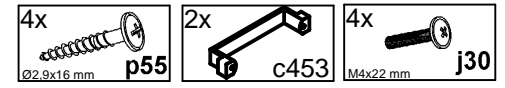
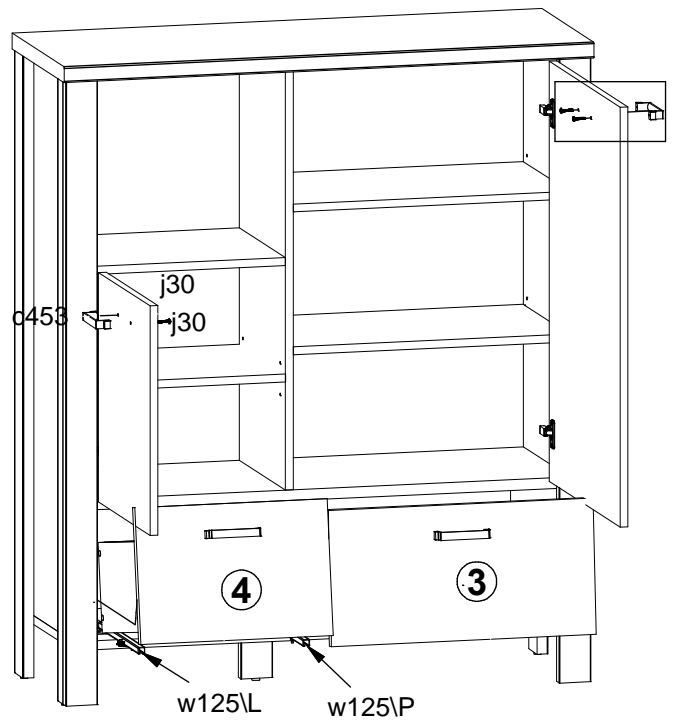
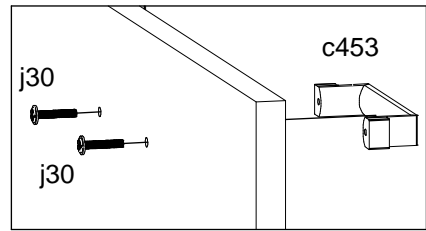
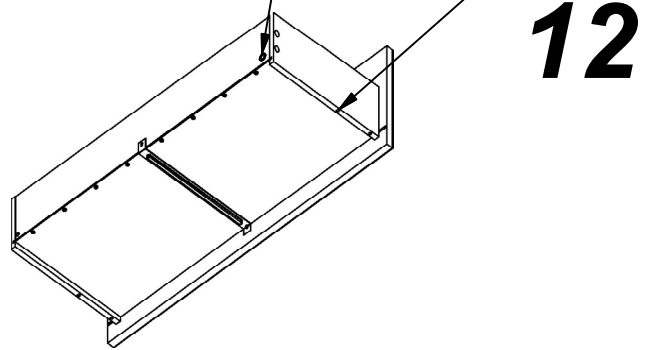
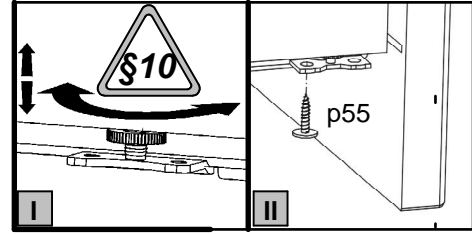
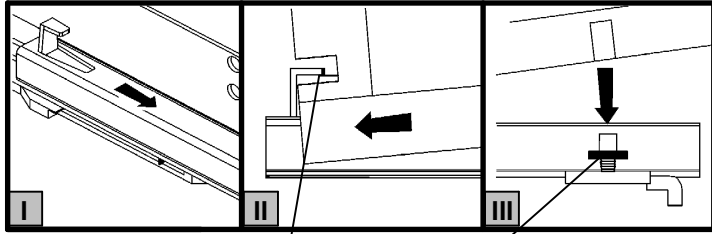
9

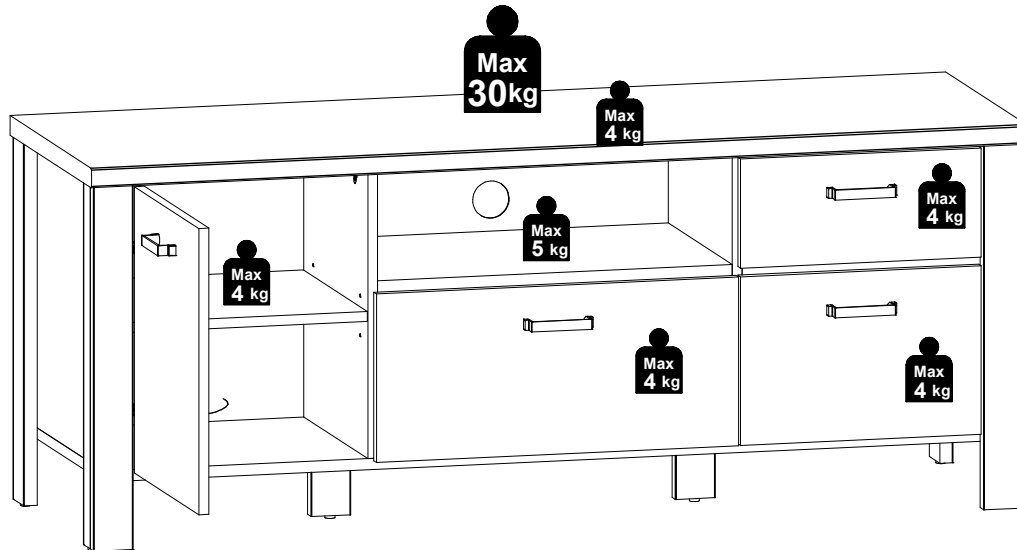
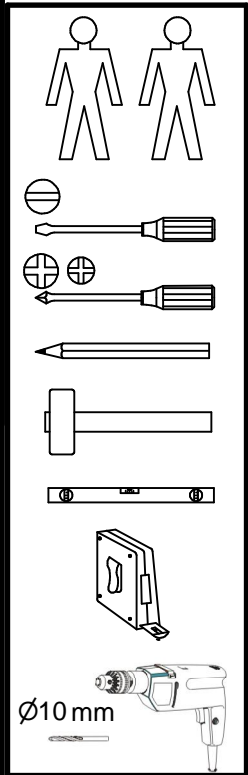
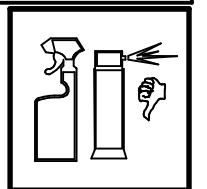
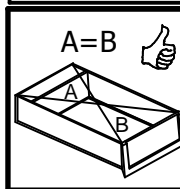
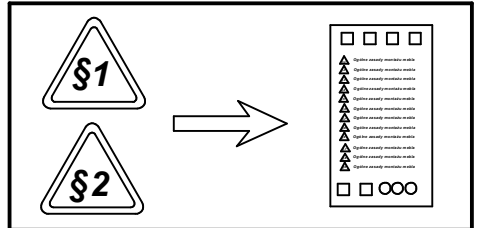
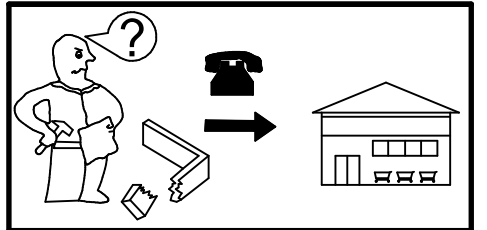
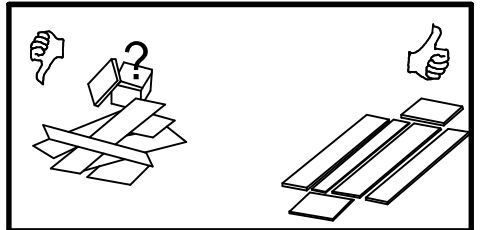
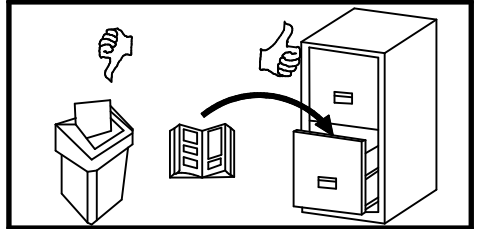
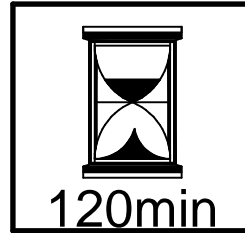
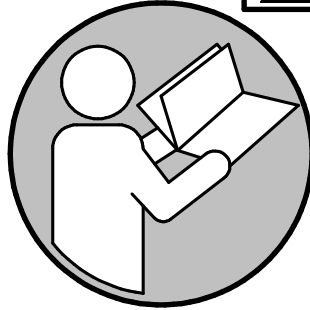
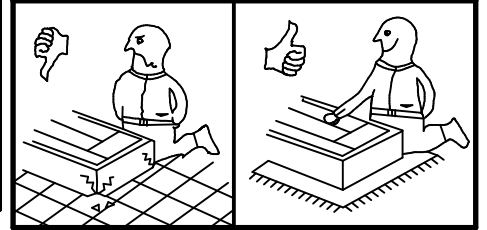
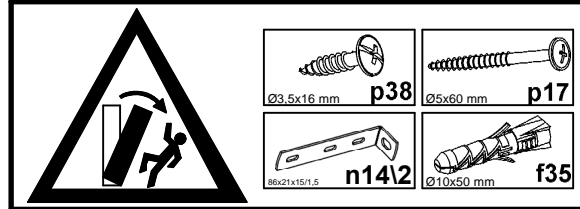
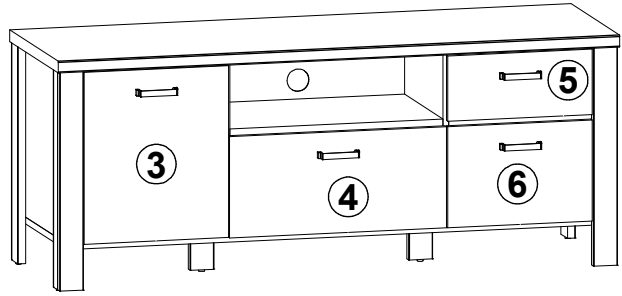


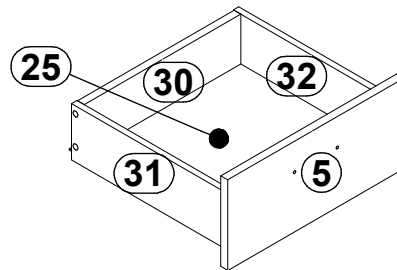
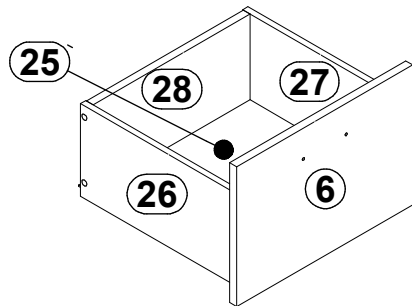
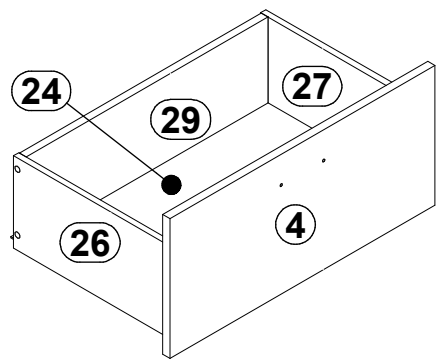
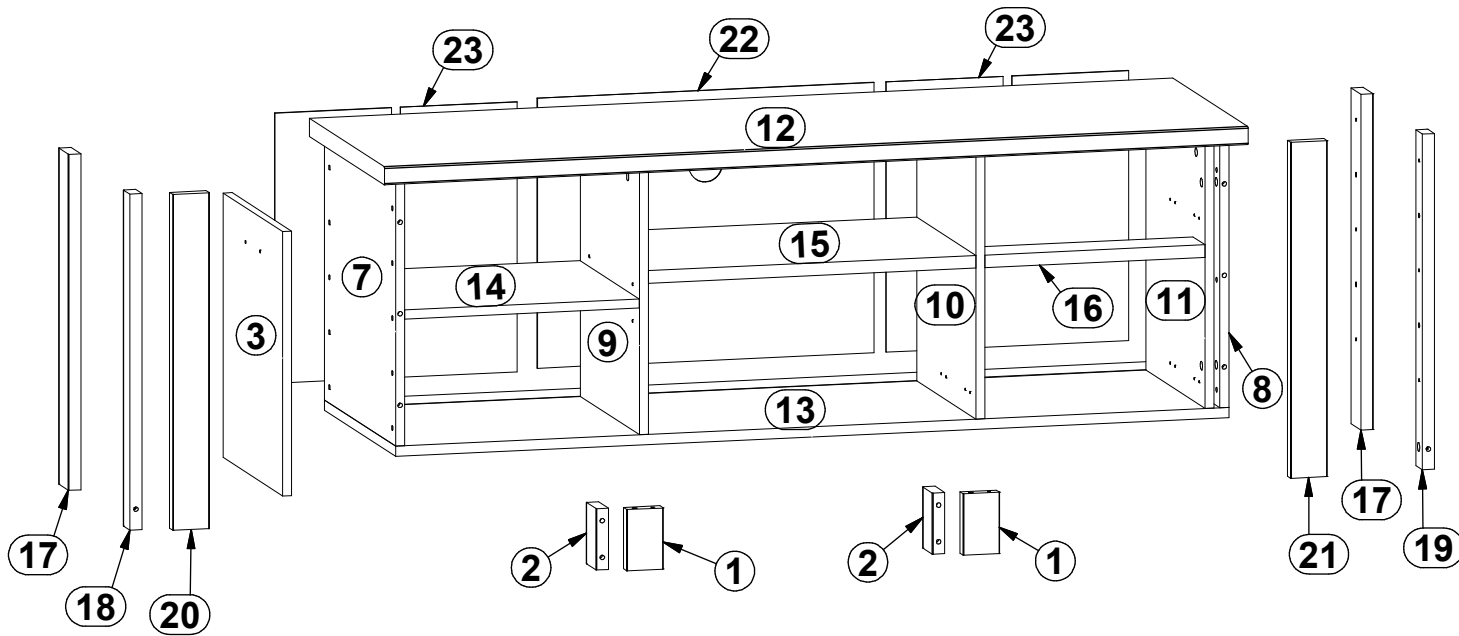
10





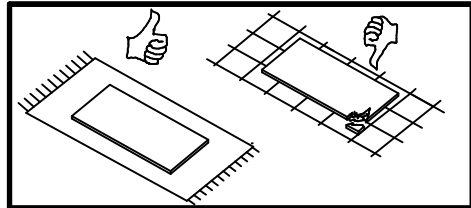
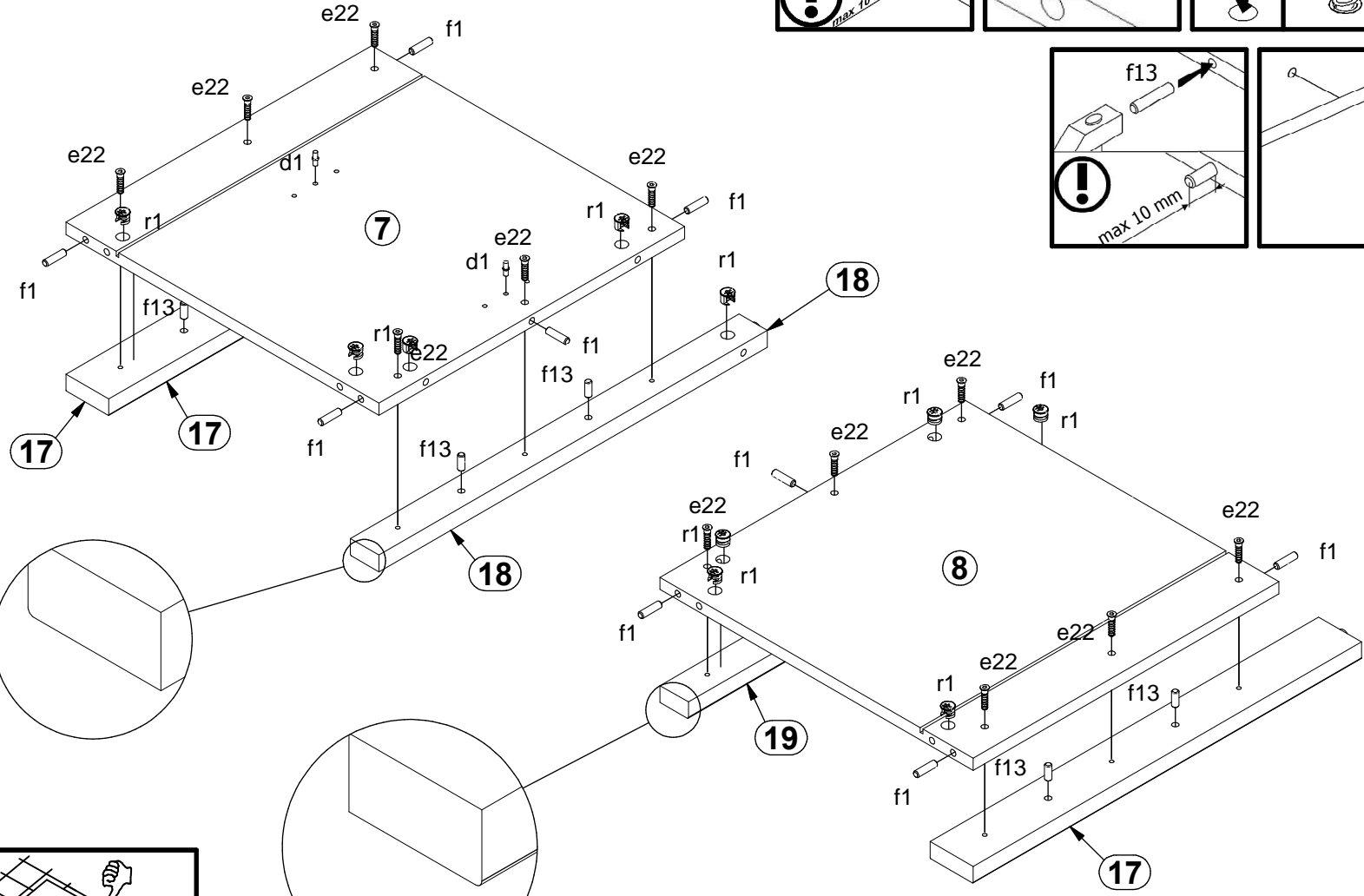
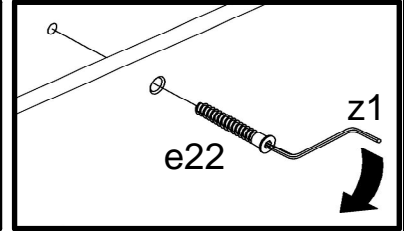
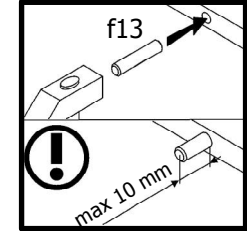
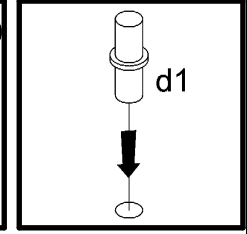
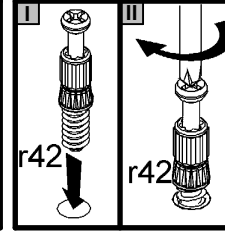
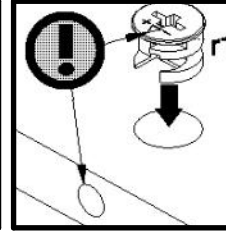
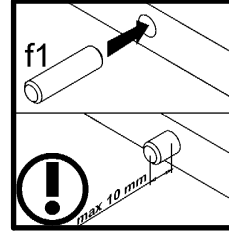
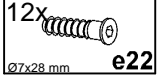
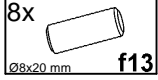
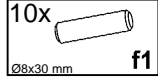
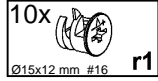
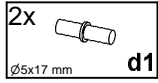


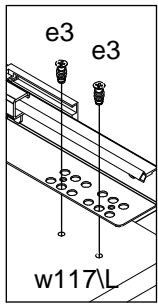




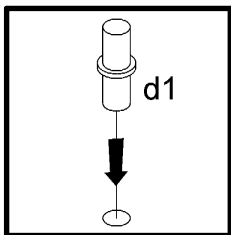
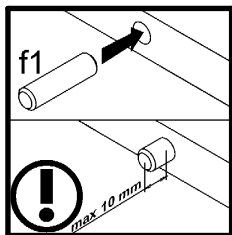
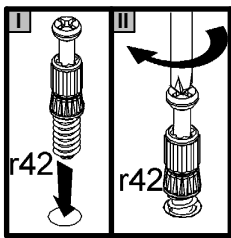
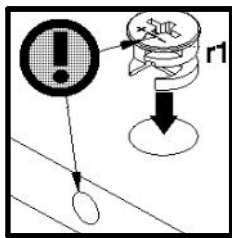
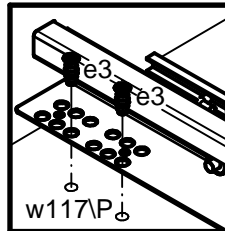
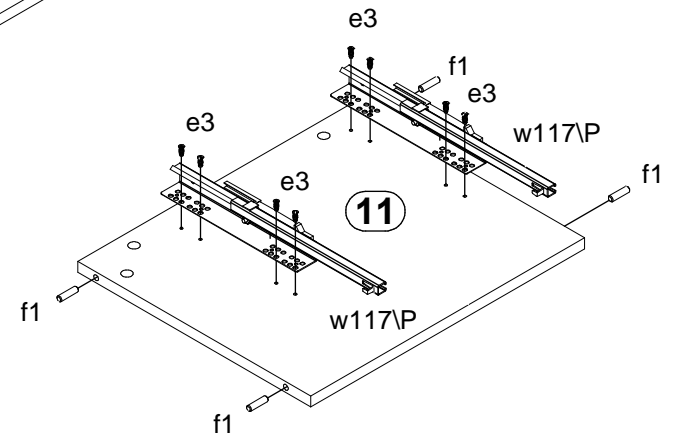
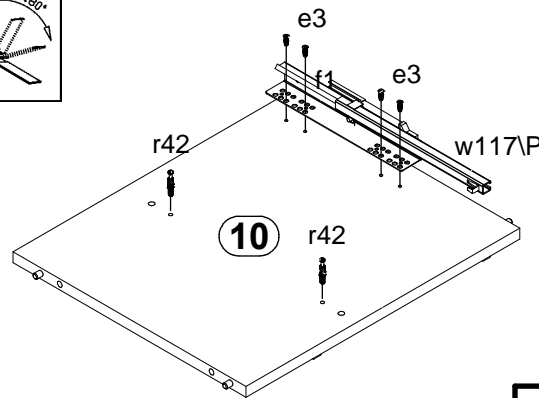
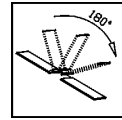
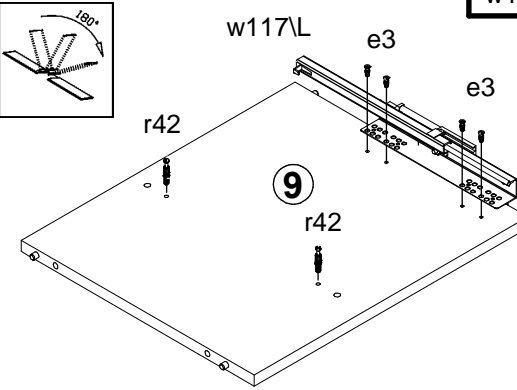
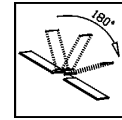
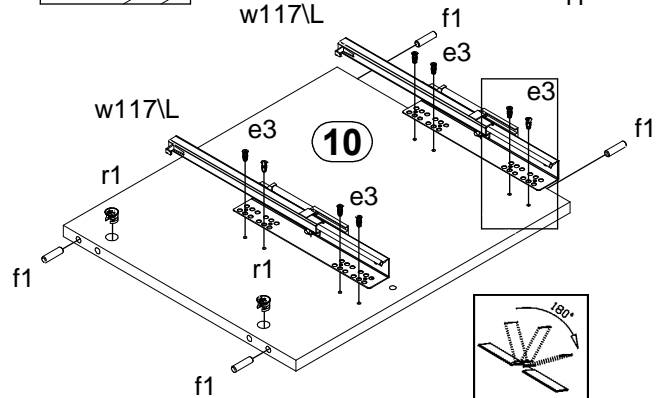
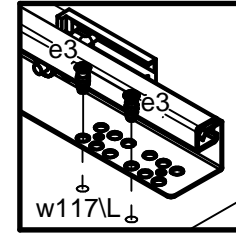
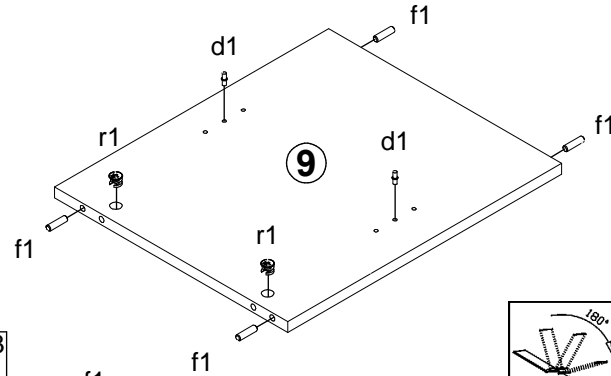
A	B	C1	C2	C3	D
1	M249-5015	107	65	22	3/3
2	M249-5025	107	65	22	3/3
3	S510-0053	462	396	16	3/3
4	S510-0054	596	272	16	3/3
5	S510-0055	396	176	16	3/3
6	S510-0056	396	272	16	3/3
7	S510-1055	462	473	16	1/3
8	S510-1056	462,	473	16	1/3
9	S510-1057	462	393	16	1/3
10	S510-1058	462	393	16	1/3
11	S510-1059	462,	393	16	1/3
12	S510-2053	1540	500	32	2/3
13	S510-2054	1486,	473	18	2/3
14	S510-3053	418	393	16	3/3
15	S510-3054	584	393	22	3/3
16	S510-4052	392,5	80	22	1/3
17	S510-5057	587,	65	22	3/3
18	S510-5058	587,	43	22	3/3
19	S510-5059	587,	43	22	3/3
20	S510-5060	587,	65	22	3/3
21	S510-5061	587,	65	22	3/3
22	S510-9008	600	472	2,5	1/3
23	S510-9009	472	432	2,5	1/3
24	WSP-9148	554	358	2,5	3/3
25	WSP-9317	362	358	2,5	3/3
26	ZQ6-503	350	180	12	1/3
27	ZQ6-504	350	180	12	1/3
28	ZQ6-5106	353	167	15	3/3
29	ZQ6-5109	544	167	15	3/3
30	ZQ6-5110	352	97	15	3/3
31	ZQ6-519	350	110	12	1/3
32	ZQ6-520	350	110	12	1/3

2x a202	2x b89	4x c453	4x d1 Ø5x17 mm	10x e1 Ø7x50 mm	6x n108 20x13x3,5	12x p55 Ø2,9x16 mm	8x j30 M4x22 mm	6x k1	10x l2	24x e3 Ø6x13 mm	12x e22 Ø7x28 mm	34x f1 Ø8x30 mm
8x f13 Ø8x20 mm	12x f25 Ø6,5x40 mm	1x p25 Ø3,5x16 mm	1x p35 Ø3,5x10 mm	1x t35 350 mm	14x p38 Ø3,5x16 mm	4x p51 Ø3,5x15 mm	16x r1 Ø15x12 mm #16	12x r15 Ø12x10,5 mm #12	32x r42 20/11	3x W117/L 350 mm	3x W117/P 350 mm	1x z1
4x r3 Ø15x15 mm #22	4x s2 Ø16	1x s74 Ø60	2x f35 Ø10x50 mm	2x p17 Ø5x60 mm	4x p38 Ø3,5x16 mm	2x n14/2 86x21x15/1,5						





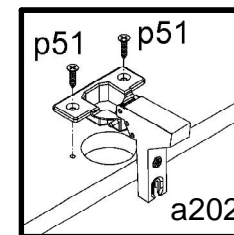
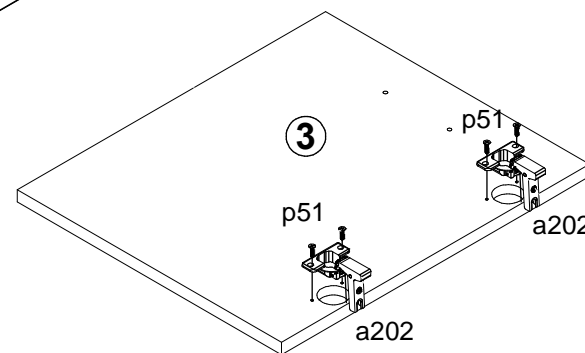
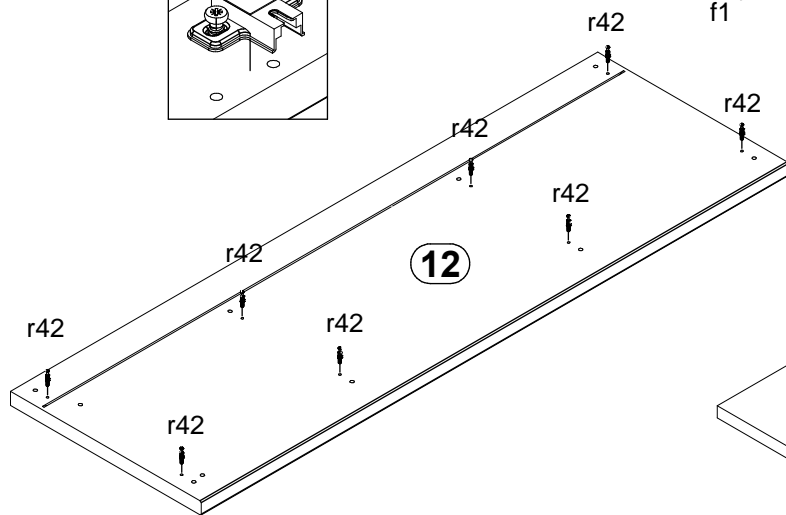
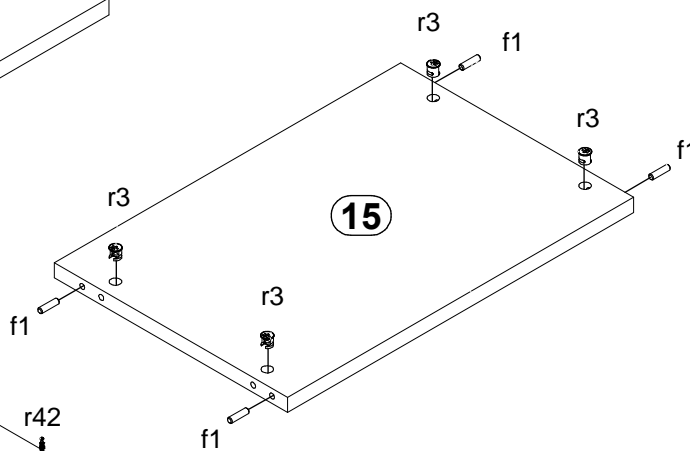
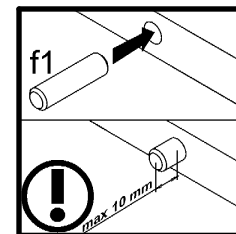
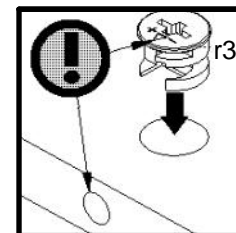
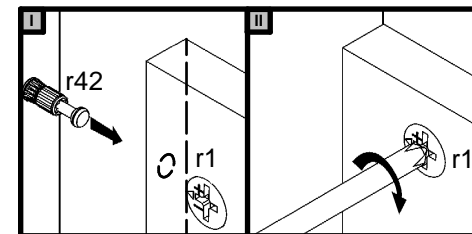
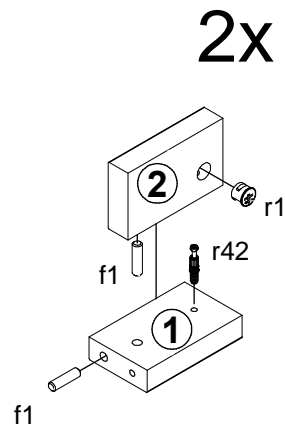
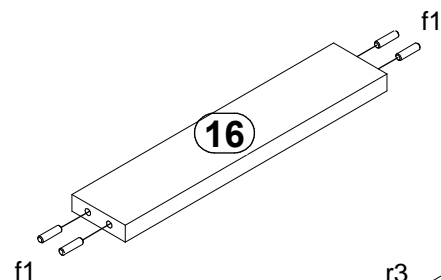
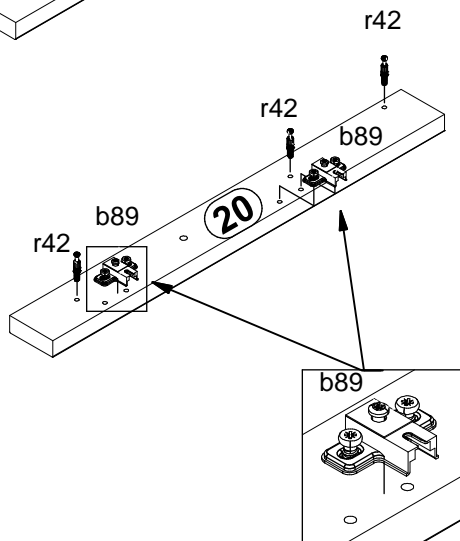
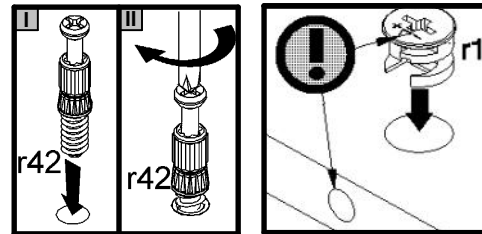
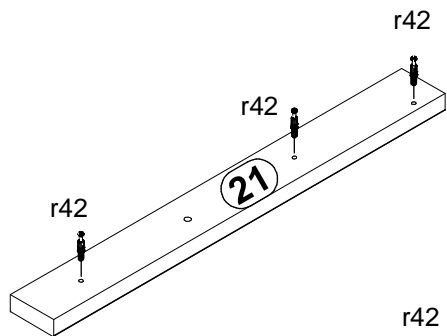
1

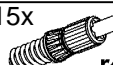



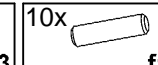


- 4x r1
Ø15x12 mm #16
- 12x f1
Ø8x30 mm
- 2x d1
Ø5x17 mm

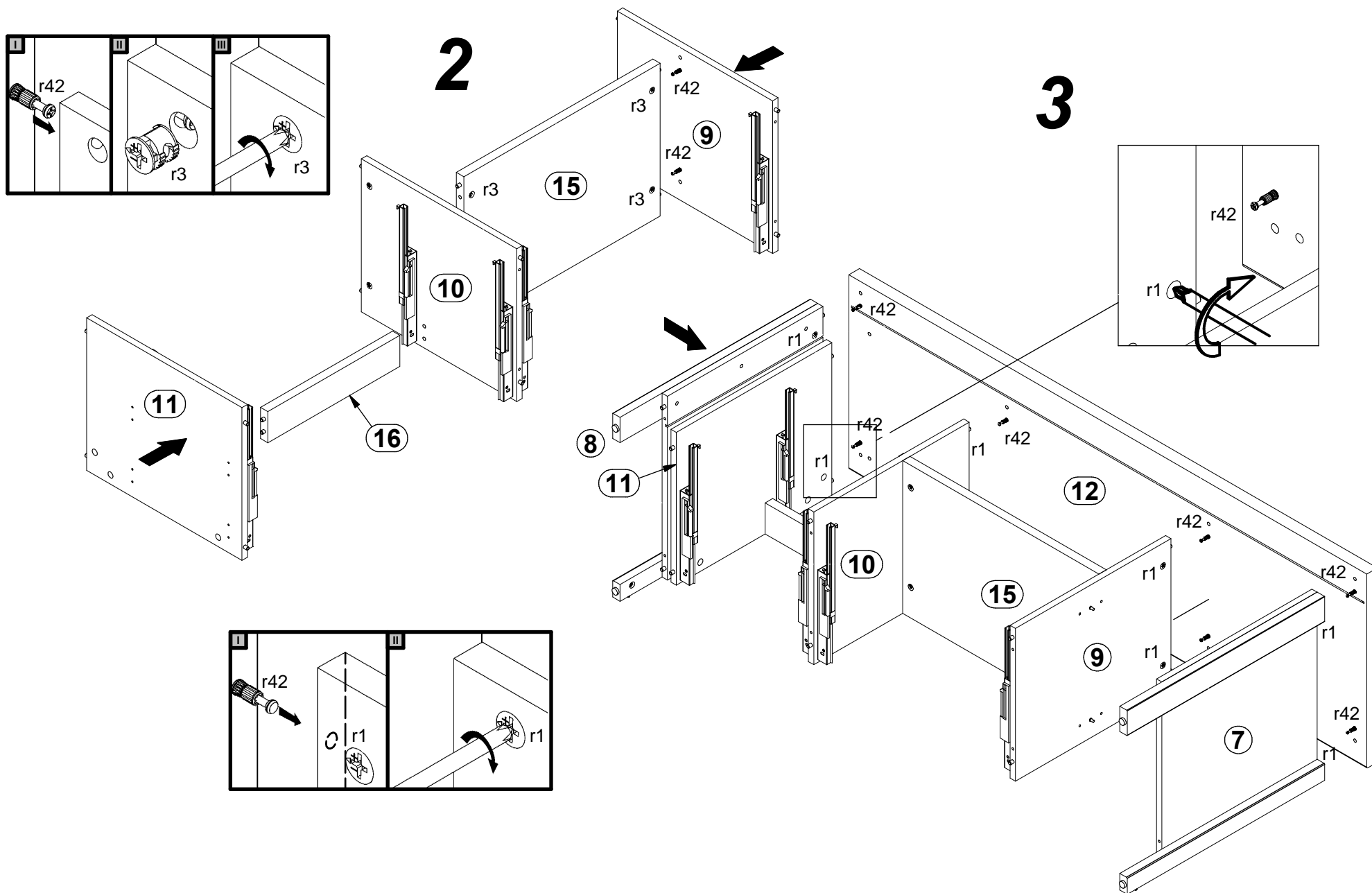
- 4x r42
- 3x 350 mm W117L
- 3x 350 mm W117P
- 24x e3
Ø6x13 mm

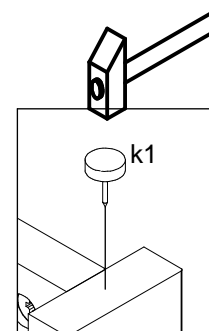
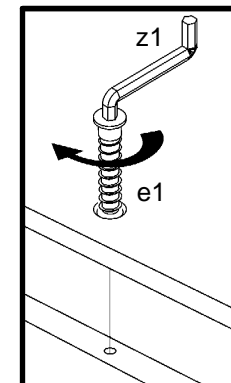
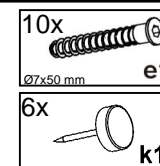
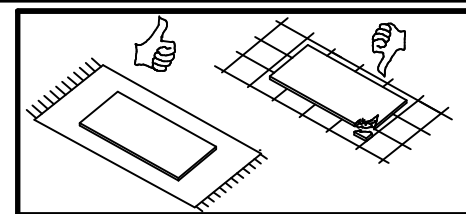
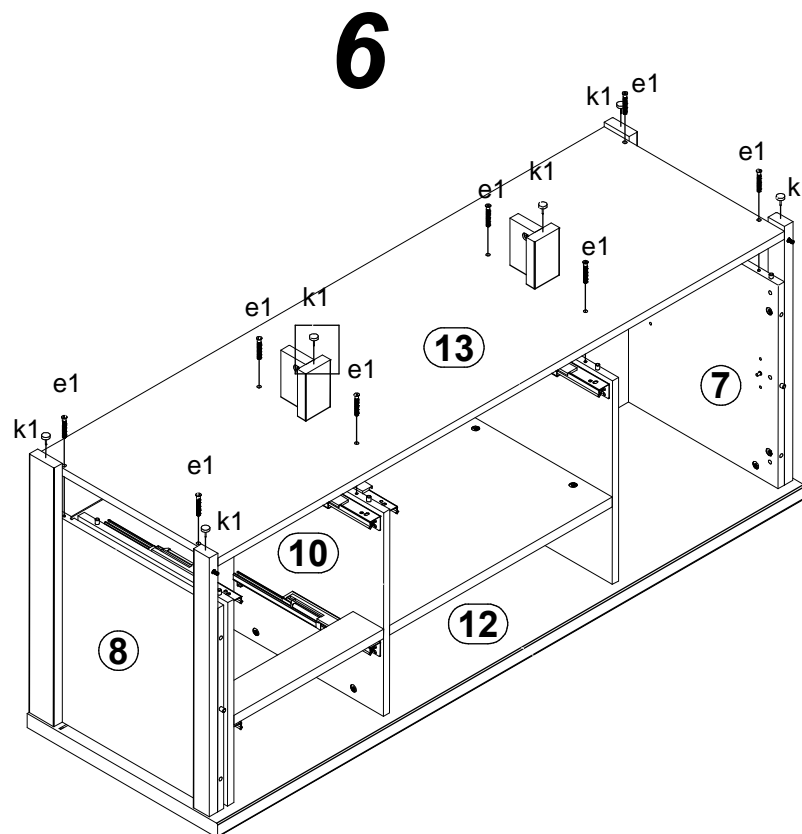
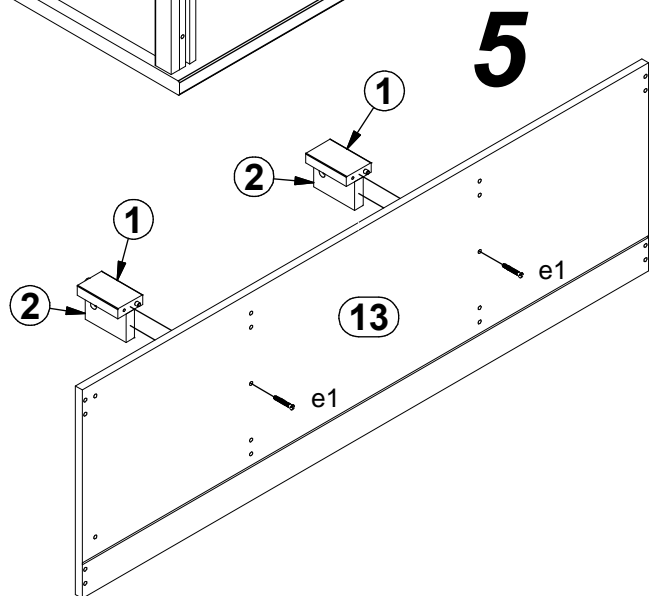
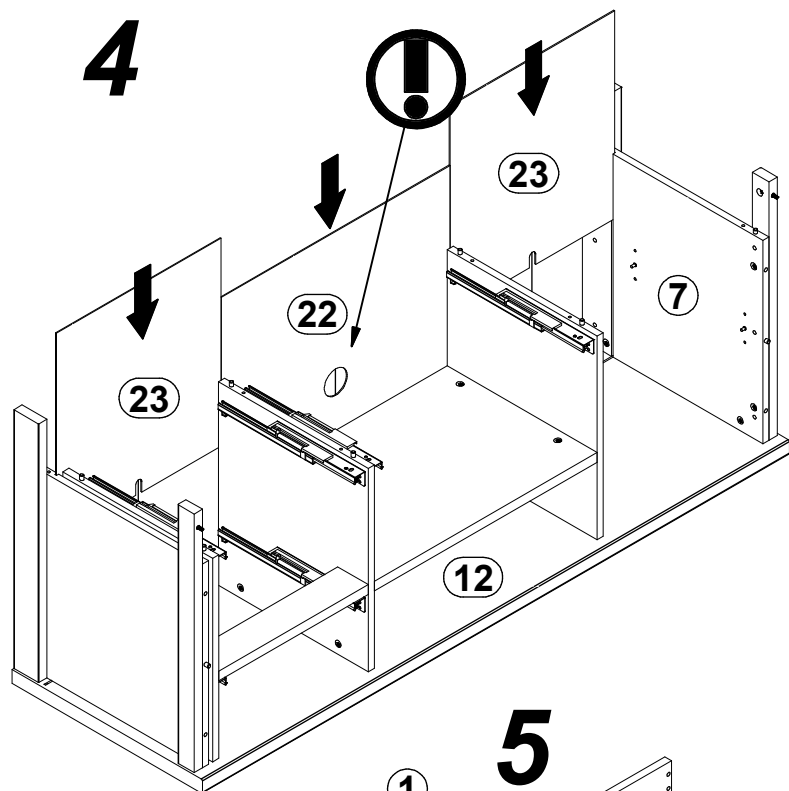
1

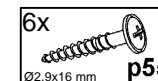
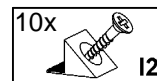
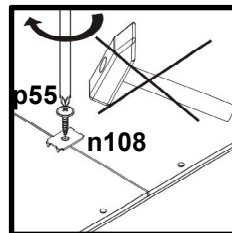
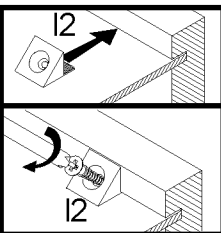
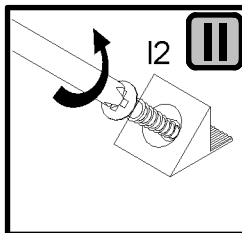
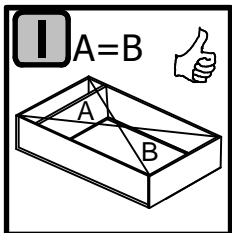


- 15x  r42
- 2x  b89
- 1x  r1
- 4x  r3
- 10x  f1

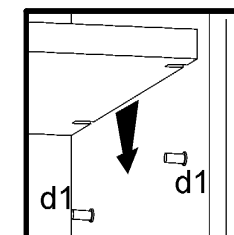
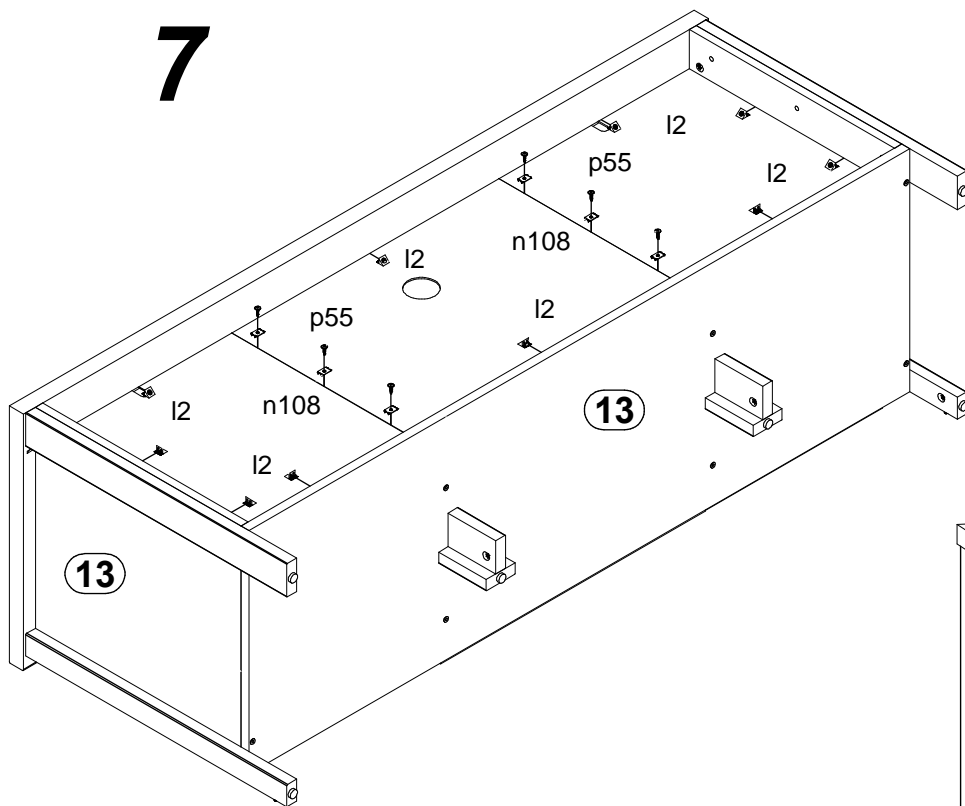
- 4x  p51
Ø3,5x15 mm
- 2x  a202
55°



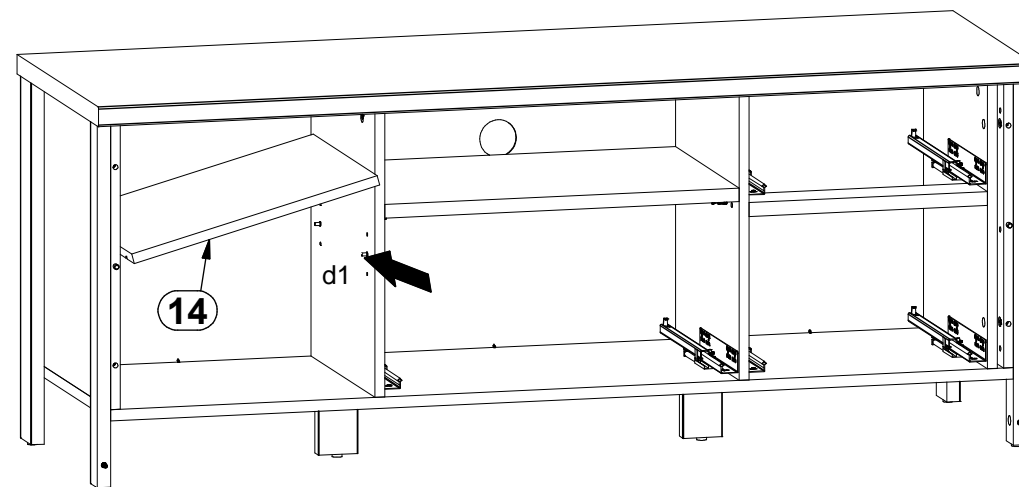


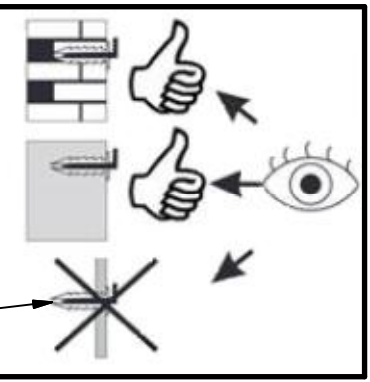
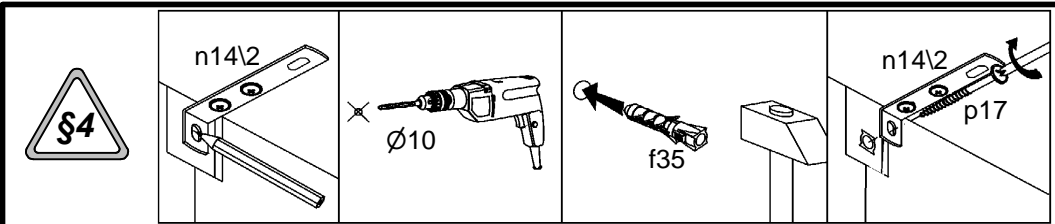
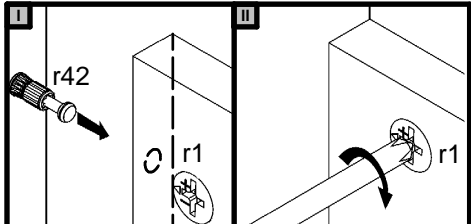


7

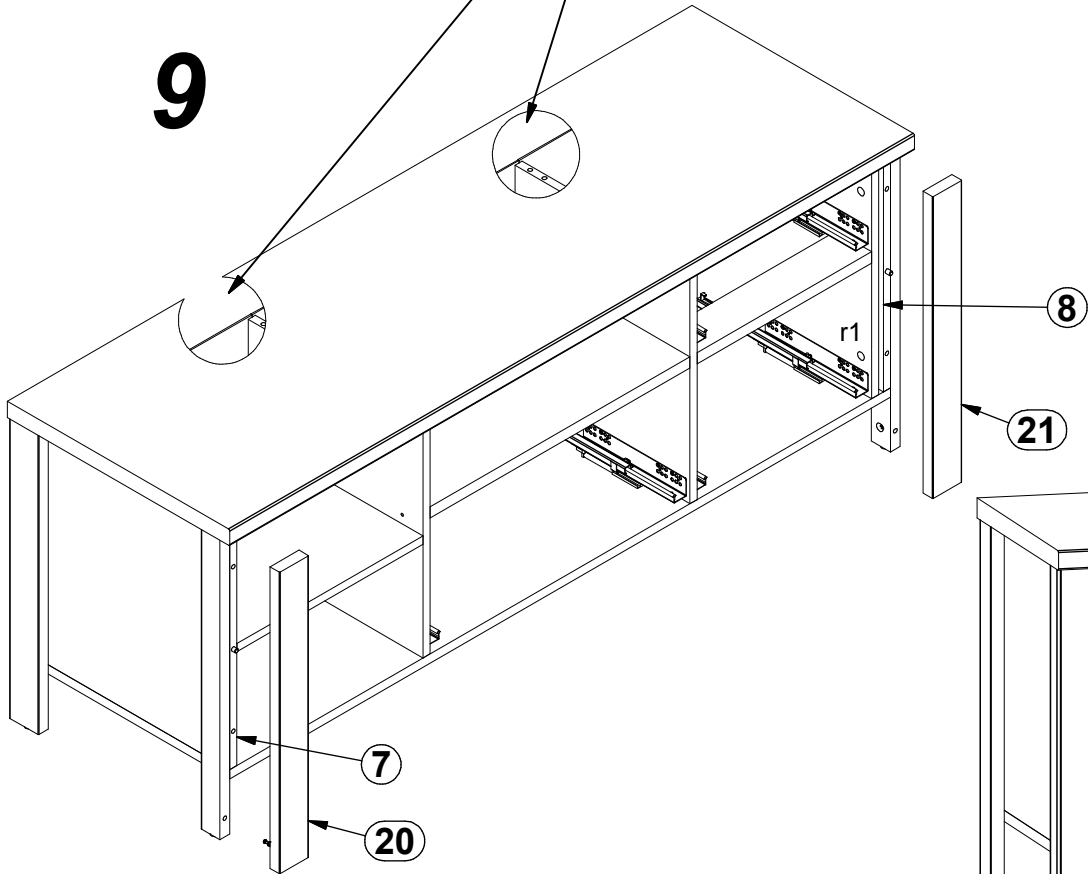


8

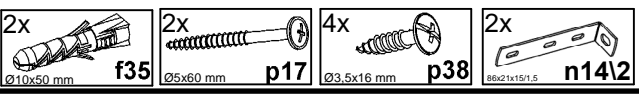
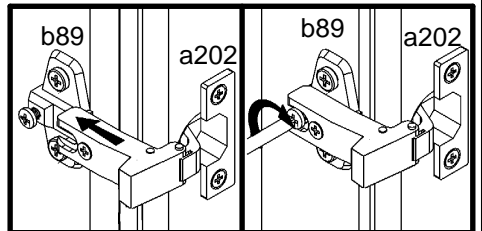




9

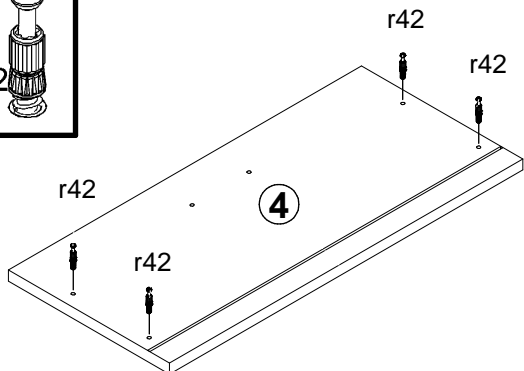
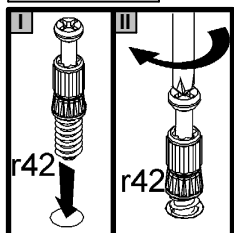
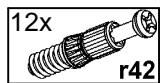
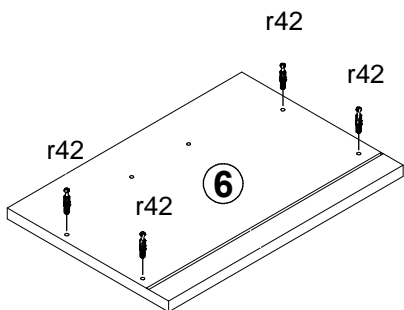
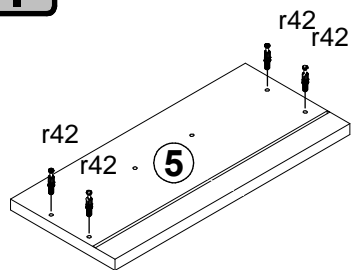


10

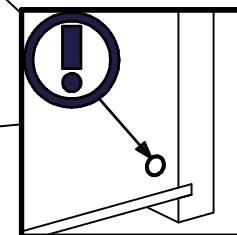
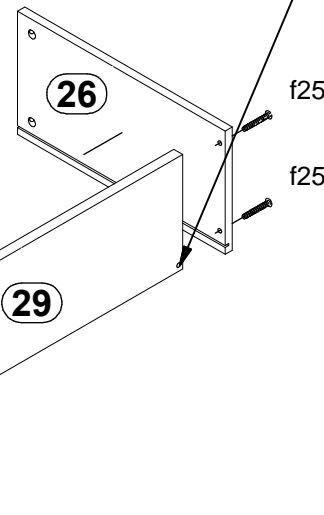
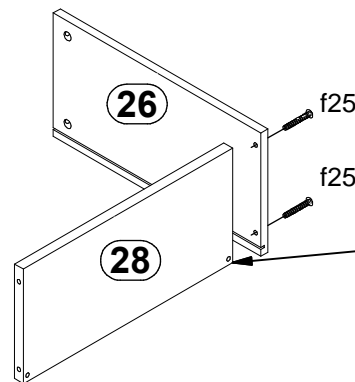
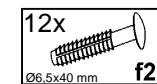
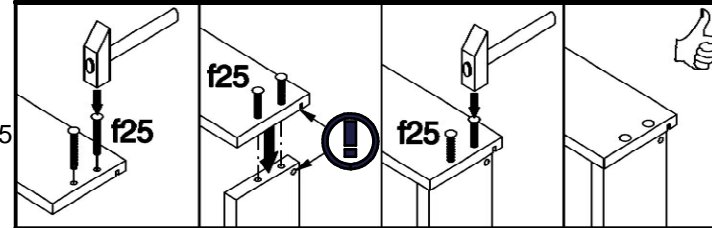
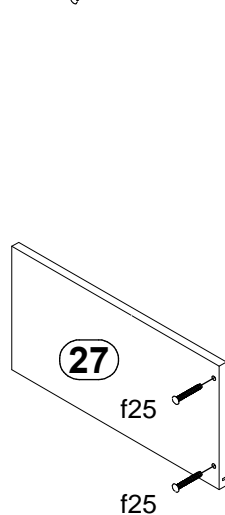
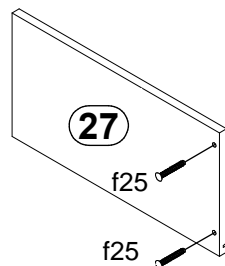
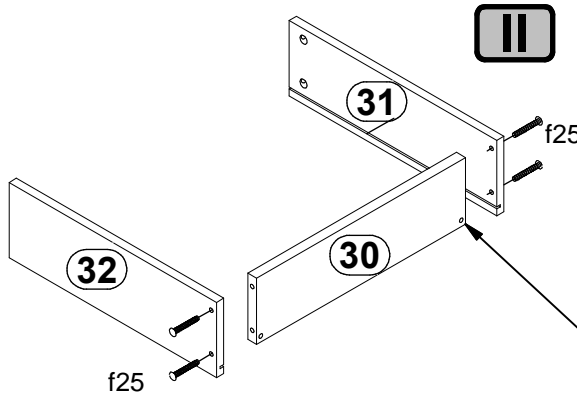


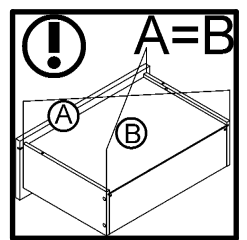
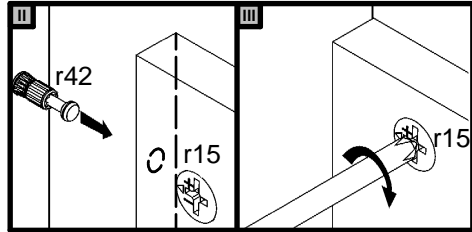
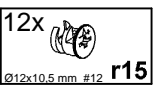
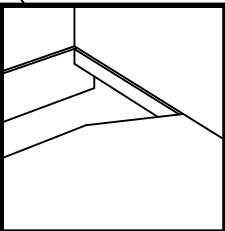
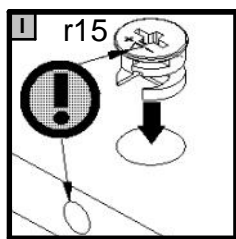
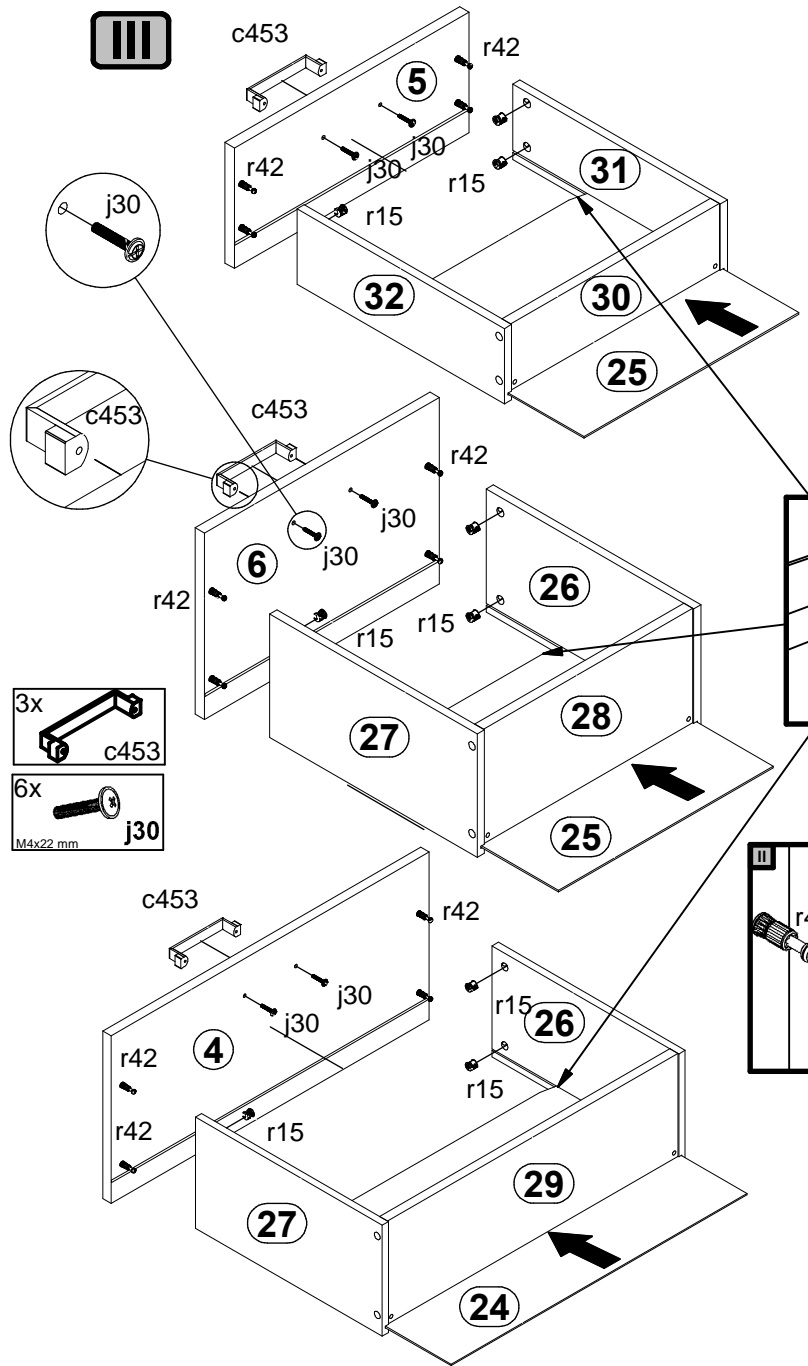


I



II





IV

