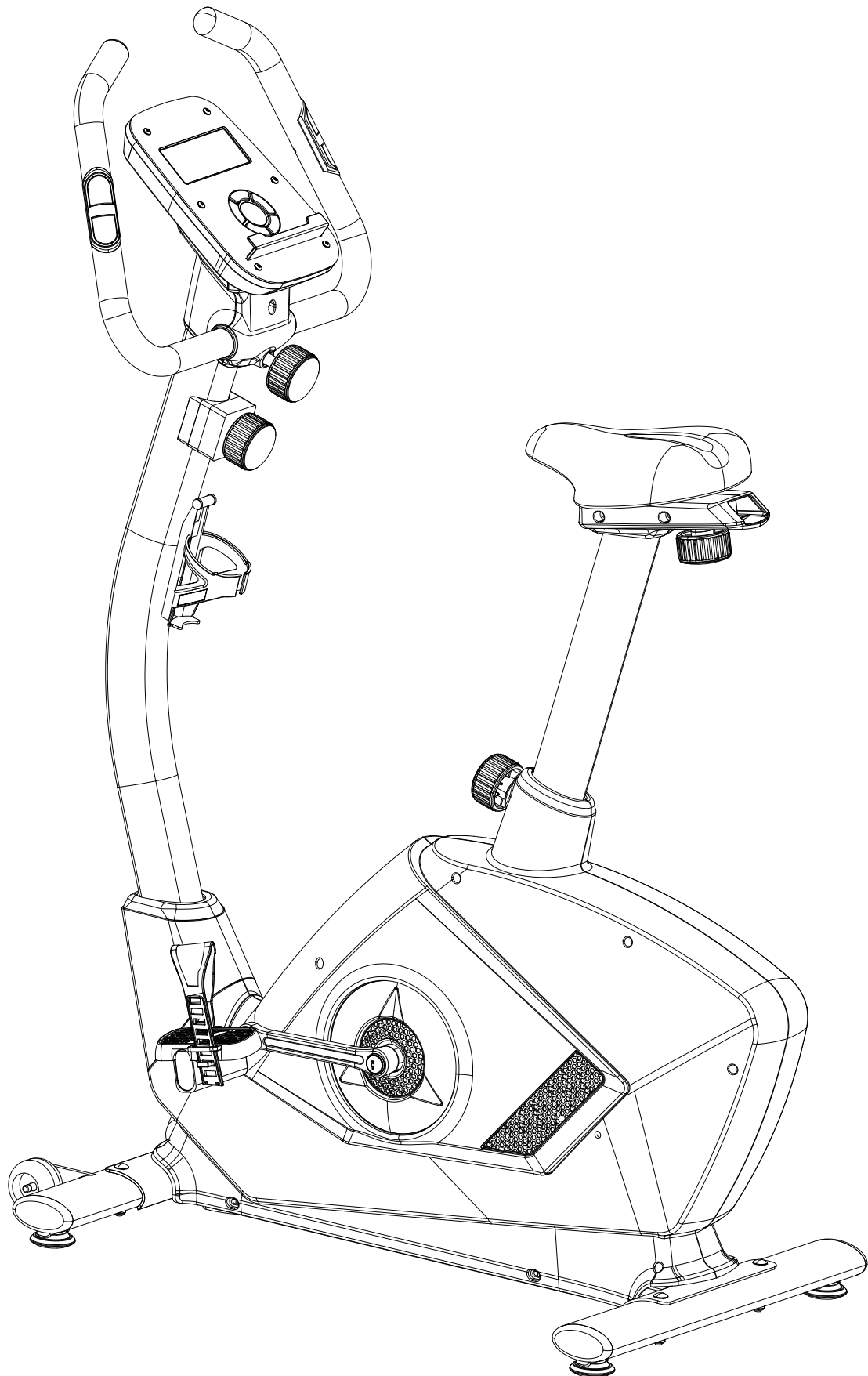




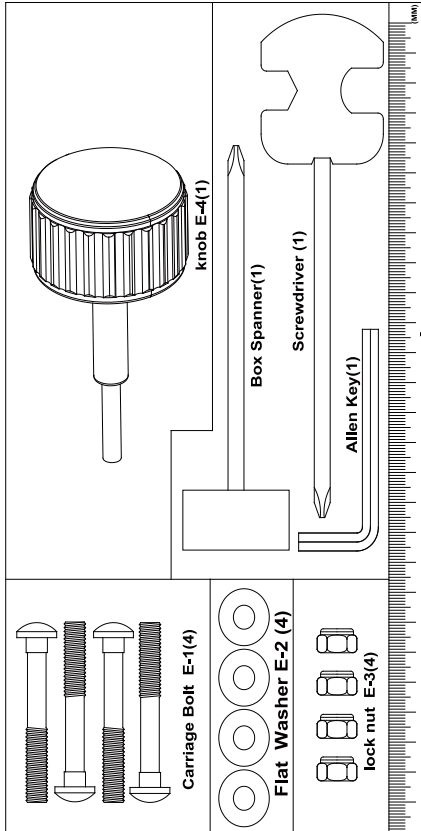
**ONE GB40**  
**ASSEMBLY GUIDE.**

**Reebok**  
**ONE** SERIES

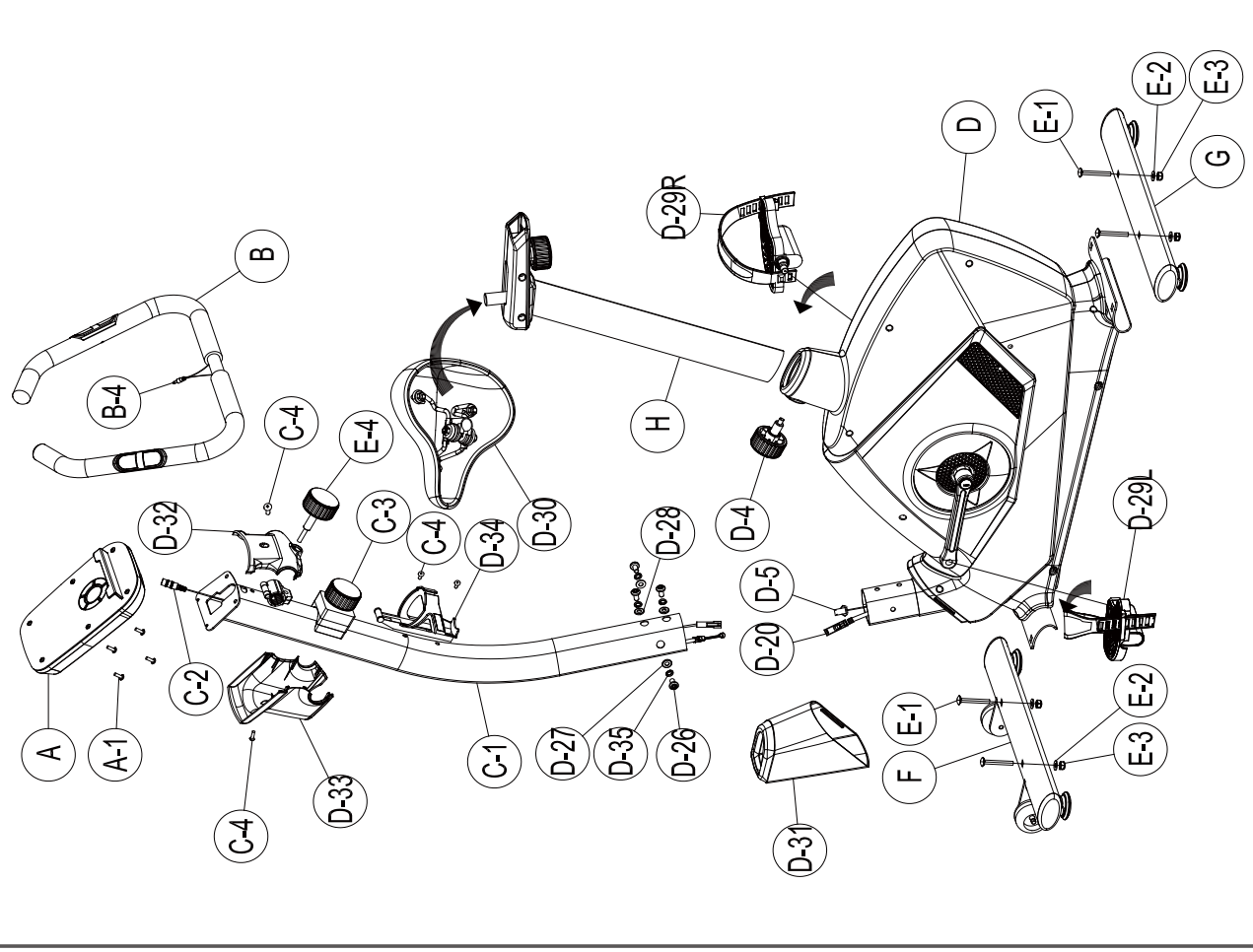
# ONE GB40. ASSEMBLY GUIDE



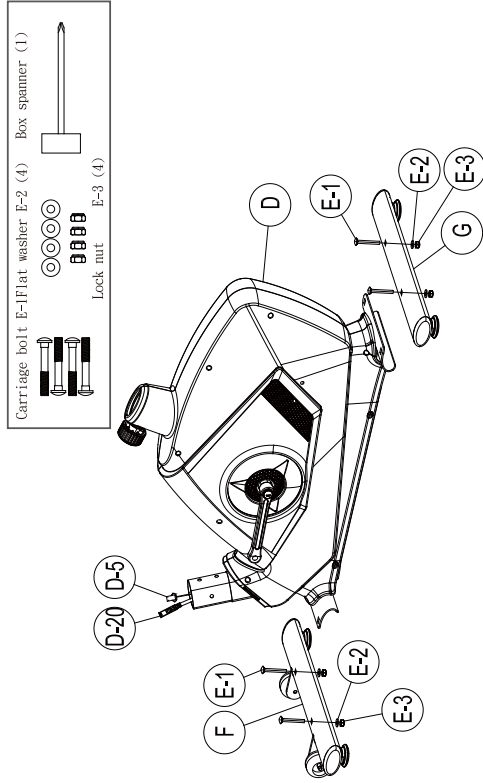
# GB40



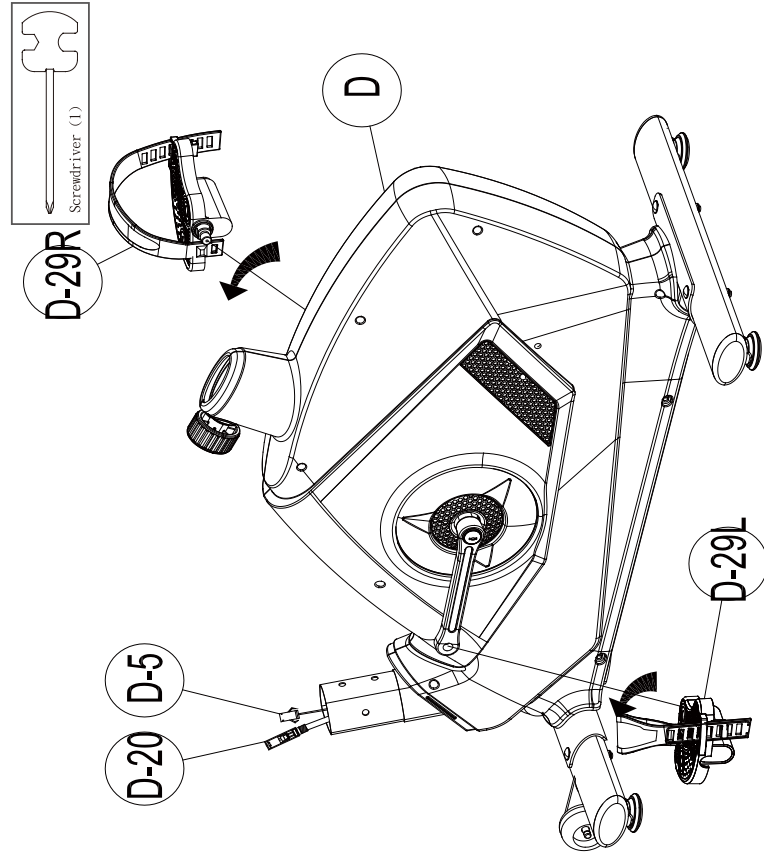
<b>D</b>		<b>G</b>	
<b>B</b>		<b>F</b>	
<b>D-32</b>		<b>D-29</b>	
<b>D-33</b>		<b>C</b>	
<b>A</b>		<b>E</b>	
<b>D-34</b>		<b>H</b>	
<b>D-30</b>			
<b>D-31</b>			



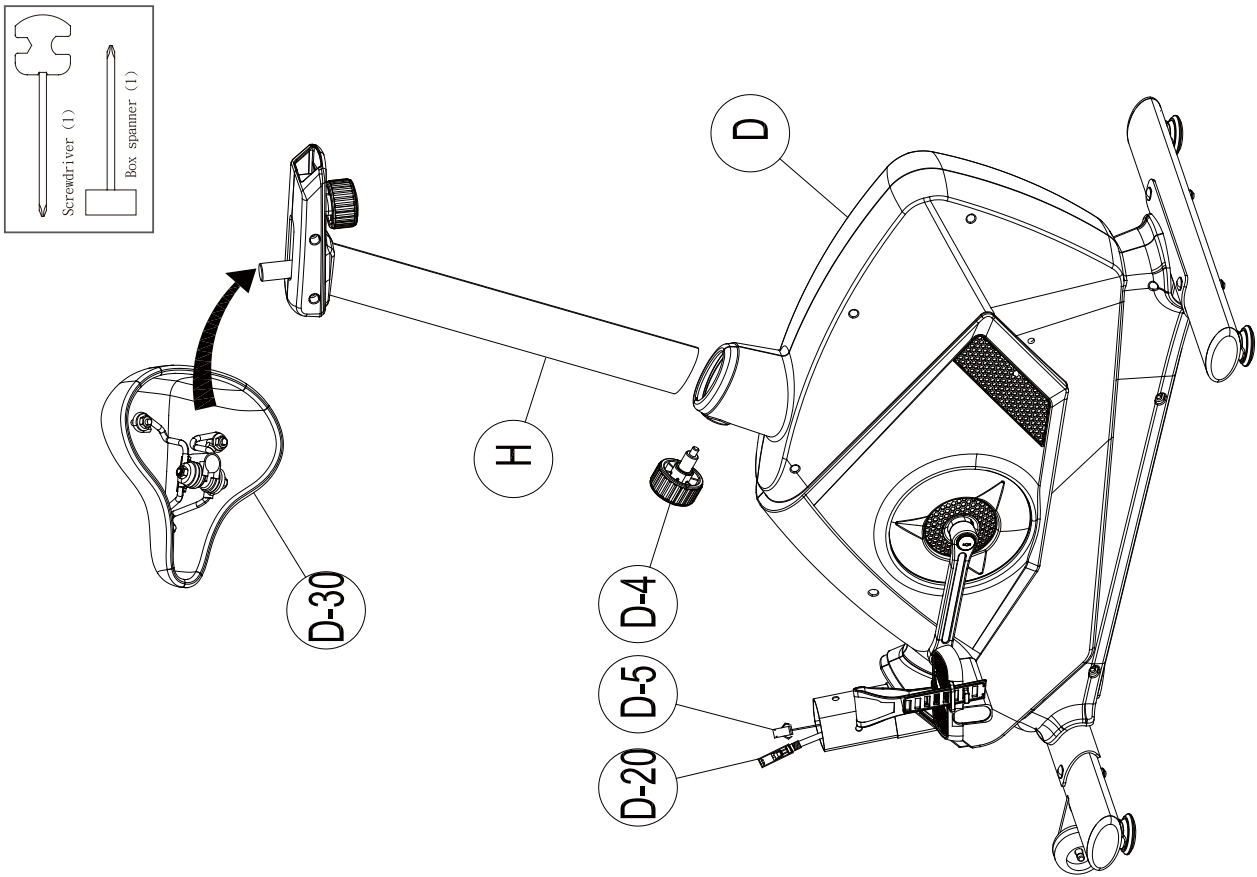
1







2

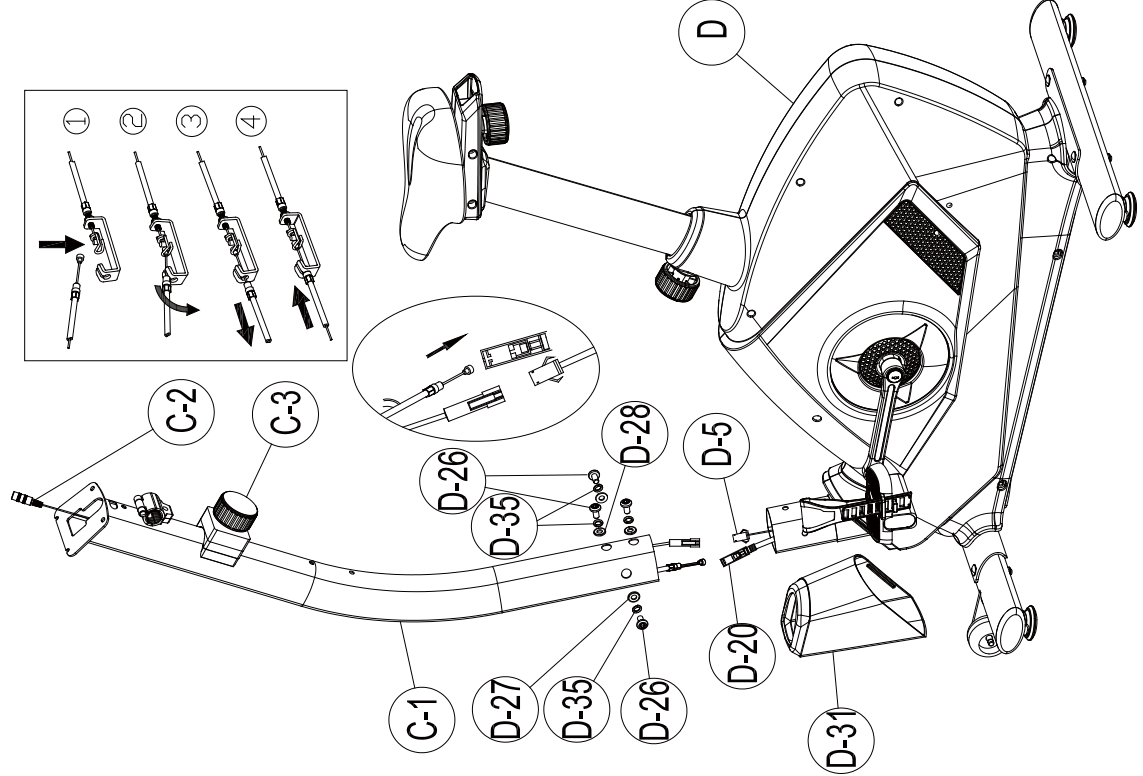
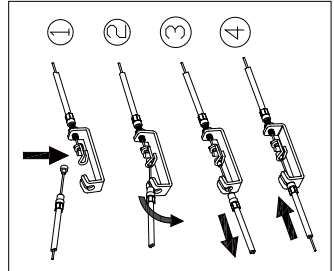





3

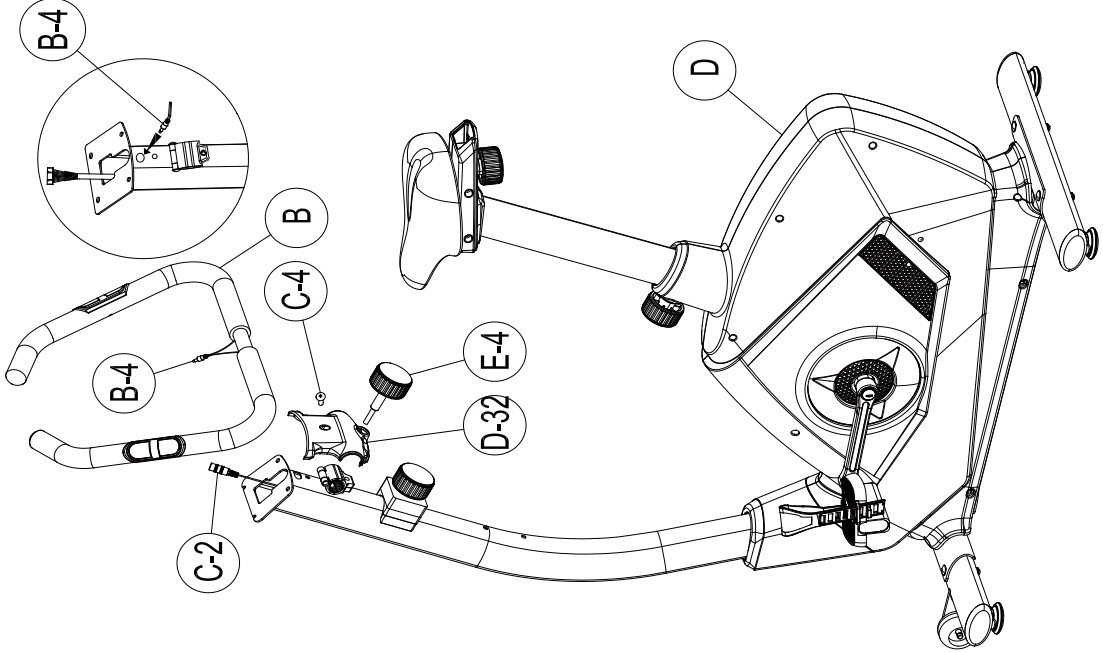


-  SCREW D-26  
M8P1,25\*16L ( 4 )
-  Curved washer D-28  
ø8\*19\*2T ( 2 )
-  Spring Washer D-35  
ø8L ( 4 )
-  Flat washer D-27  
ø8\*19\*2T ( 2 )

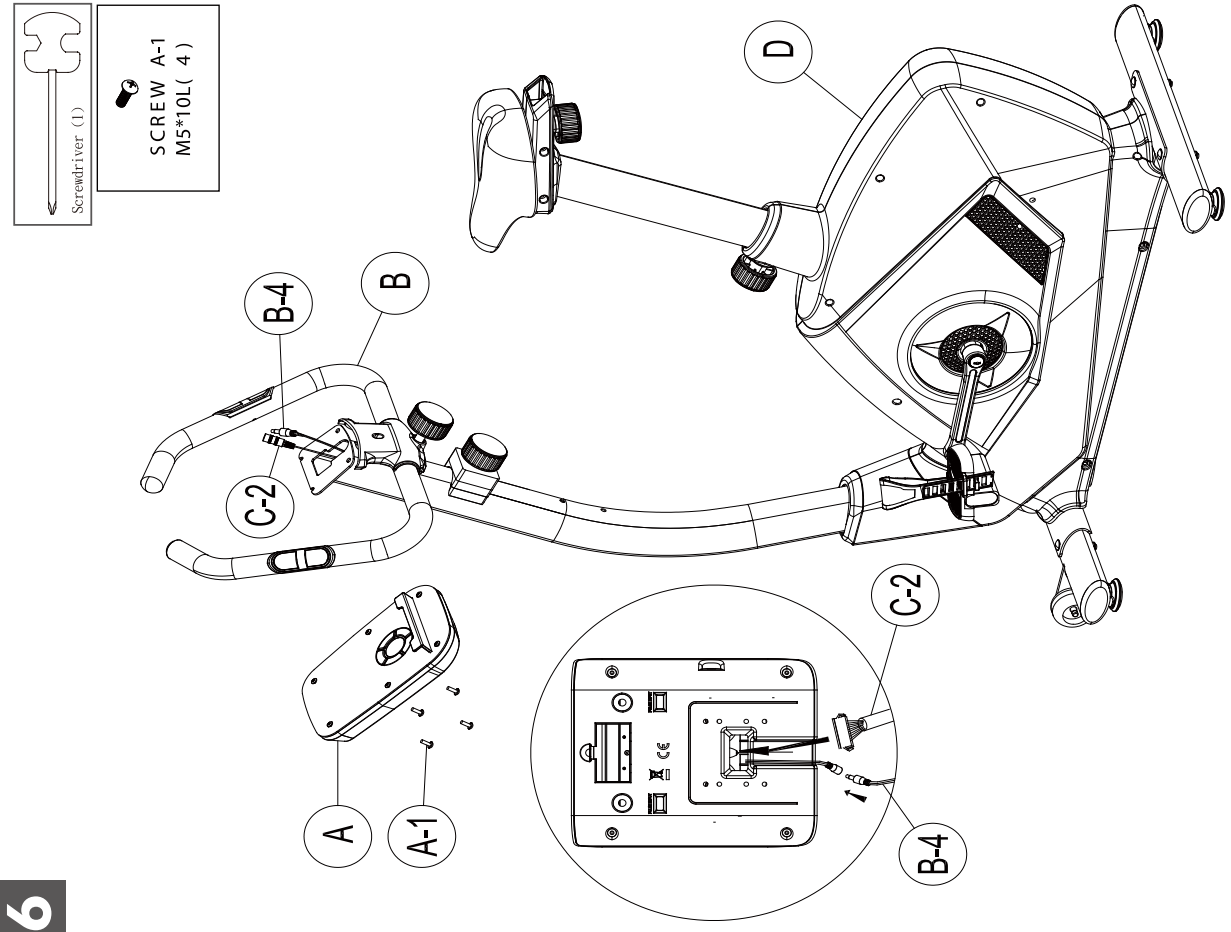
Allen Key(1)



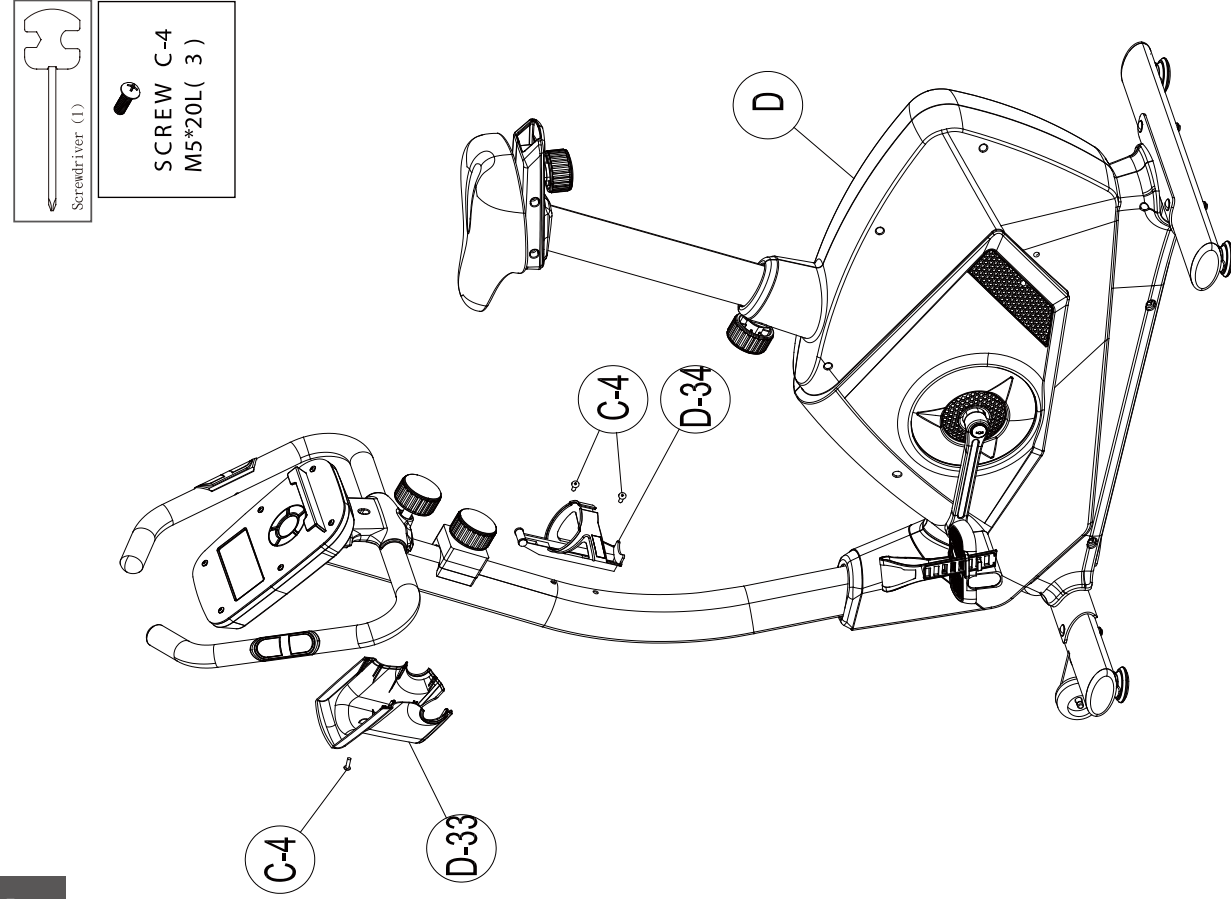
-  Screwdriver ( 1 )
-  Knob E-4 ( 1 )
-  SCREW C-4  
M5\*20L ( 1 )



6

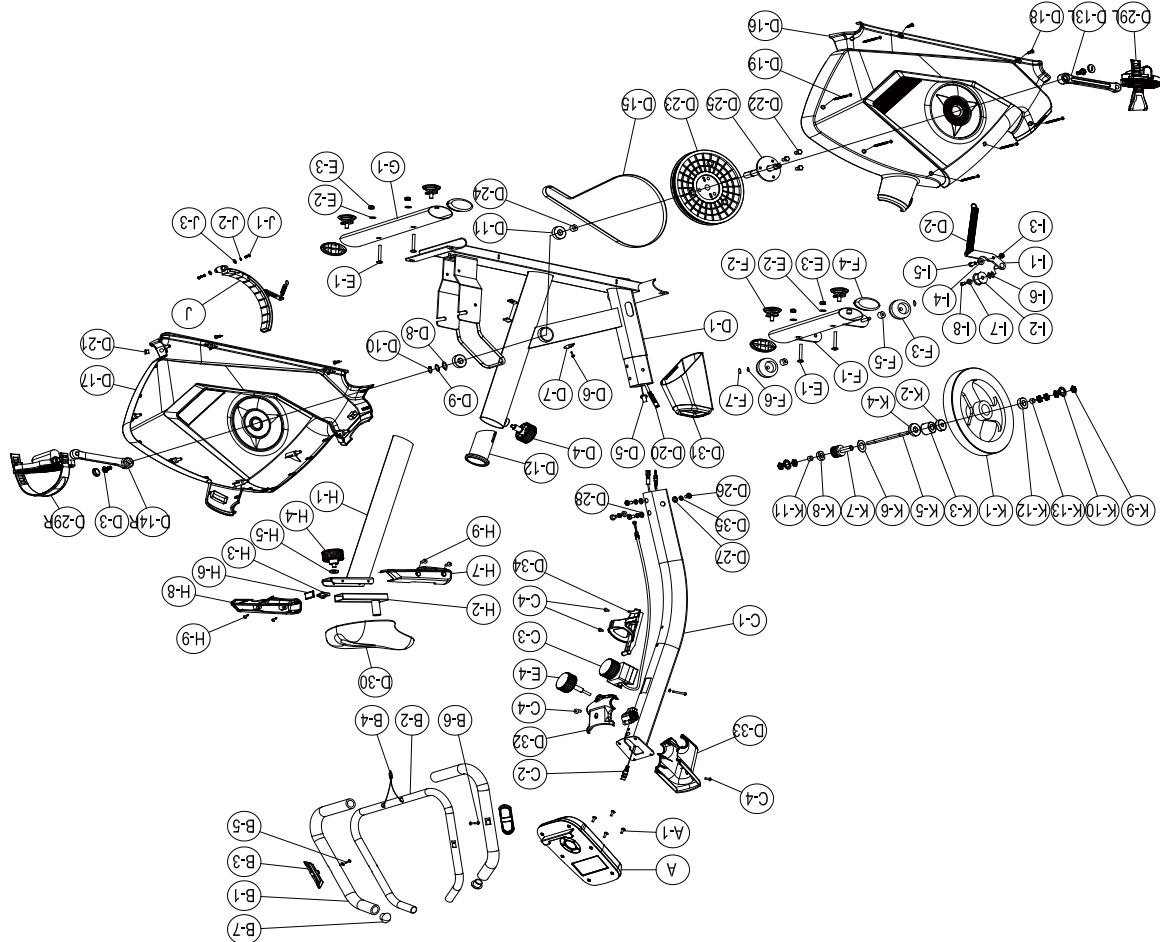


7





SPARE PARTS LIST



ITEM	DESCRIPTION	EVB SPEC	QTY	ITEM	DESCRIPTION	EVB SPEC	QTY		
A	Console	PE-S765490016702	1	PCS	E-1	Screw	PD-SM M 40855-1002	4	PCS
A-1	Screw	PD-SM M 10510-1002	4	PCS	E-2	Flat washer	PH-B204819-1002	4	PCS
B	Handlebar set	AA-A-PB3169-9014	1	SET	E-3	Nut	PD-NM 20800-1002	4	PCS
B-1	Foam grip	PE-A-PB4009-1002	2	PCS	E-4	Knob of handlebar	PH-A-PB0915-1000	1	SET
B-2	Handlebar	PE-A-PB5023-1082	1	PCS	F	Front stabilizer set	AA-GB40F04-9000	1	SET
B-3	Hand pulse	1FC1007-12B1	2	PCS	F-1	Front stabilizer	MF-GB40F04-7002	1	PCS
B-4	Heart rate wire	B6120-E208506650-000	1	PCS	F-2	Nut	PD-A-PB279611-1002	4	PCS
B-5	Screw	PD-SHM 10420-1002	2	PCS	F-3	Roller	PH-A-PB3093-1200	2	PCS
B-6	Semi washer	PH-A-PB1109-1002	2	PCS	F-4	End cap	PH-A-PB3062-1A51	4	PCS
B-7	End cap	PH-A-PB155411002	2	PCS	F-5	Bushing	PH-A-PB3112-1000	2	PCS
C	Handlebar post set	AA-GB40F02-9000	1	SET	F-6	C ring	PD-CO 08900-1002	2	PCS
C-1	Handlebar	MF-GB40F02-7002	1	PCS	F-7	Nut	PD-NM 10800-1002	2	PCS
C-2	Cable	B6020-C115001-4000	1	PCS	G	Rear stabilizer set	AA-GB40F05-9000	1	SET
C-3	Tension controller	PH-A84-0810-1002	1	PCS	G-1	Rear stabilizer	MF-GB40F05-7002	1	PCS
C-4	Screw	PD-SM M 40520-1002	4	PCS	H	Seat post set	MF-GB40F02-5000	1	SET
D	Main frame set	AA-GB40F01-9000	1	SET	H-1	Seat post	MF-GB40F02-5000	1	PCS
D-1	Main frame	MF-GB40F01-7002	1	PCS	H-2	Rail tube	MF-B2010F047300	1	PCS
D-2	Slider spring	PH-A-PB1226-1000	1	PCS	H-3	Screw bracket of rail tube	PH-A-PB2929-1000	1	PCS
D-3	Nylon	PD-SHM 10820-5000	2	PCS	H-4	Knob of seat	PH-A-PB0914-1000	1	PCS
D-4	Knob	PD-A-PB6913-4000	1	PCS	H-5	Flat washer	PH-W321425-1041	1	PCS
D-5	Wire	B7030-D 1065006-200	1	PCS	H-6	End cap	PH-A-PB13711002	1	PCS
D-6	Screw	PD-SHM 20410-041	1	PCS	H-7	Left cover of rail tube	PH-C-GB500D-1002	1	PCS
D-7	Sensor bracket	PE-A-PB4310-1300	1	PCS	H-8	Right cover of rail tube	PH-C-GB501D-1002	1	PCS
D-8	Wave washer	PH-W0001725-1002	1	PCS	H-9	Screw	PD-SM M 20506-1002	4	PCS
D-9	Flat washer	PH-W121725-1002	1	PCS	I	Idler set	AA-A-PB3246-9000	1	SET
D-10	C ring	PD-CO 11700-1002	1	PCS	H	Idler	M-FU1BFRFW 04-5000	1	PCS
D-11	Bearing	PH-B32-6203-1200	2	PCS	I-2	Jeckey wheel	PH-A-PB351-1000	1	PCS
D-12	Camp	PH-A-PB2278-1002	1	PCS	H-3	Nut	PD-NM 20800-1041	1	PCS
D-13	Left crank	PH-A-PB-818-1041	1	PCS	H-4	Flat washer	PH-W110825-1141	1	PCS
D-14	Right crank	PH-A-PB-818-1041	1	PCS	H-5	Screw	PD-SHM 20820-1141	1	PCS
D-15	Beck	PH-A-BM 1066-4000	1	PCS	H-6	Wave washer	PH-W0061015-1002	2	PCS
D-16	Left cover (upper)	PH-C-GB500-1002	1	PCS	H-7	Flat washer	PH-W120612-1041	1	PCS
D-17	Right cover (lower)	PH-C-GB501-1002	1	PCS	H-8	Screw	PD-SHM 10012-1002	1	PCS
D-18	Screw	PD-SHM 20516-241	4	PCS	J	Magnet set	AA-A-PB3693-9000	1	SET
D-19	Screw	PD-SHM 20440-041	6	PCS	J-1	Screw	PD-SHM 20614-041	2	PCS
D-20	Tension controller, lower	PH-A-PB5076-1000	1	PCS	J-2	Spring washer	PH-B210060-1041	2	PCS
D-21	Cap	PH-A-PB5824-1002	1	PCS	J-3	Flat washer	PH-W120613-1041	2	PCS
D-22	Screw	PD-SHM 20812-1102	3	PCS	K	Flywheel set	AA-A-PB3225-4102	1	SET
D-23	Pulley	PH-PB82401-1002	1	PCS	K-1	Flywheel	PH-FAD2032E1002	1	PCS
D-24	Bushing	PH-A-PB309-1000	1	PCS	K-2	Bearing	PH-B2-3300-1000	1	PCS
D-25	Axle set	PH-A-PB3184-1000	1	PCS	K-3	Single bearing set	PH-A-PB3482-1000	1	PCS
D-26	Screw	PD-SHM 40815-1002	4	PCS	K-4	Bearing	PH-B2-3200-1100	1	PCS
D-27	Flat washer	PH-W040819-1002	2	PCS	K-5	Flywheel axle	PH-A-PB4982-1000	1	PCS
D-28	Semi washer	PH-B2220819-1102	2	PCS	K-6	Flat washer	PH-W113031-1002	1	PCS
D-29	Pedal	PS-A-PB3907-302	1	SET	K-7	Pulley	PH-A-PB4842-1000	1	PCS
D-30	Saddle	PS-A-PB-240-1002	1	PCS	K-8	Bearing	PH-B2-3900-1000	1	PCS
D-31	Cap of handlebar post	PH-C-GB5090-1002	1	PCS	K-9	Nut	PD-NM 1224-041	5	PCS
D-32	Front cover of handlebar	PH-SB03-002-1002	1	PCS	K-10	Star washer	PH-W121224-1041	2	PCS
D-33	Rear cover of handlebar	PH-SB03-013-1002	1	PCS	K-11	Bushing	PH-A-PB-008-1000	1	PCS
D-34	Water bottle holder	PE-A-PB2074-1A51	1	PCS	K-12	Bearing	PH-B2-3002-1000	1	PCS
D-35	Spring washer	PH-B220800-1102	4	PCS	K-13	Bushing	PH-A-PB-008-1000	1	PCS
E	Hardware kit	AA-GB40F02-9000	1	SET					



[REEBOKFITNESSEQUIPMENT.COM/PRODUCTSUPPORT](http://REEBOKFITNESSEQUIPMENT.COM/PRODUCTSUPPORT)

**Reebok**  
**ONE** SERIES