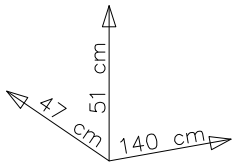
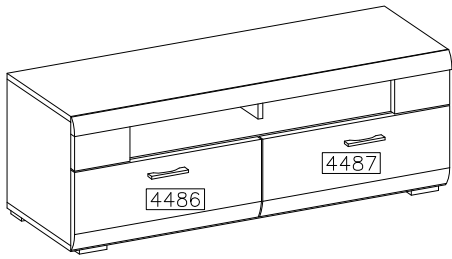
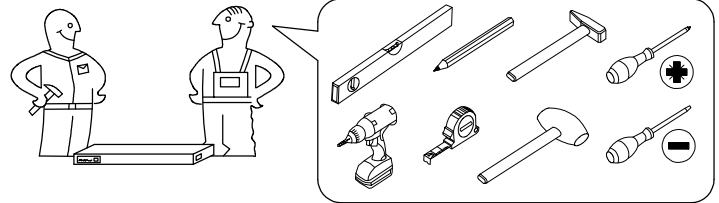
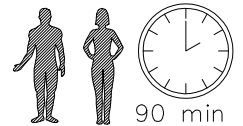
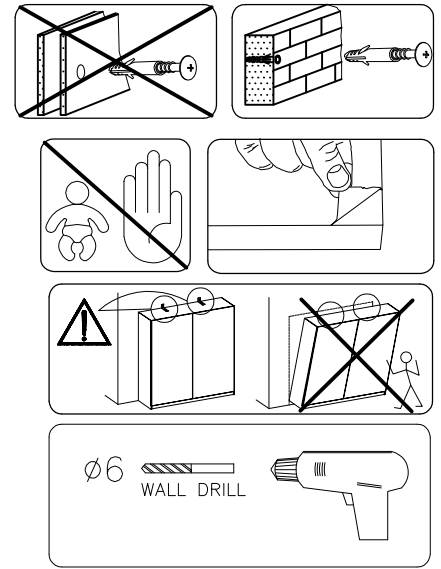
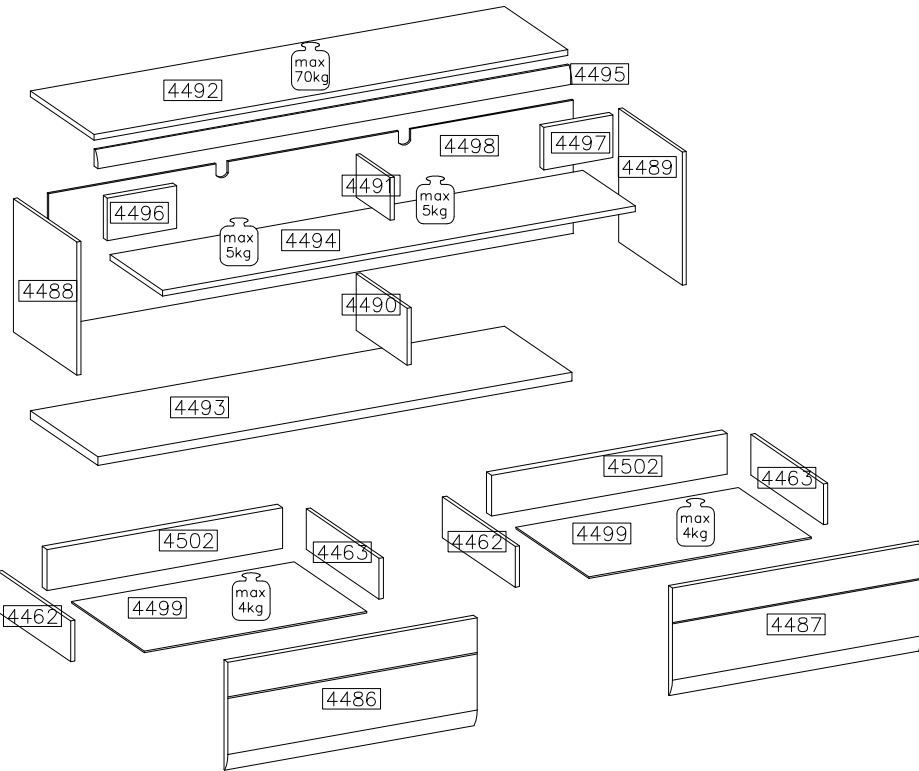
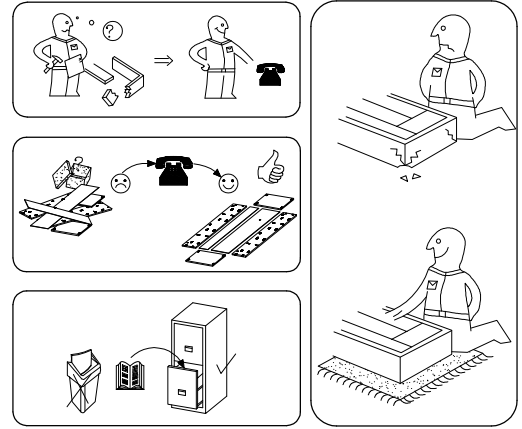


FUN PLUS II

10 A1 MM 31

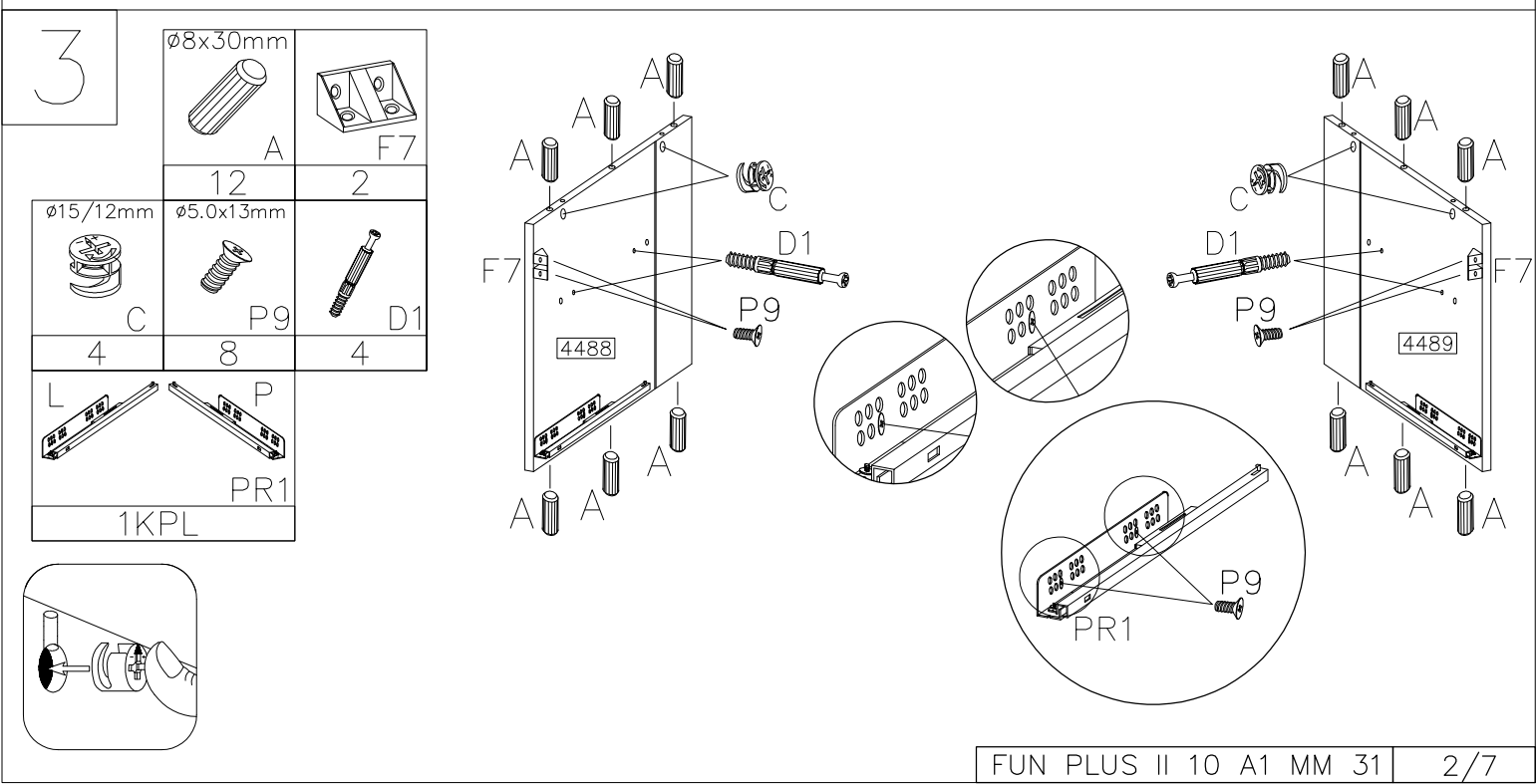
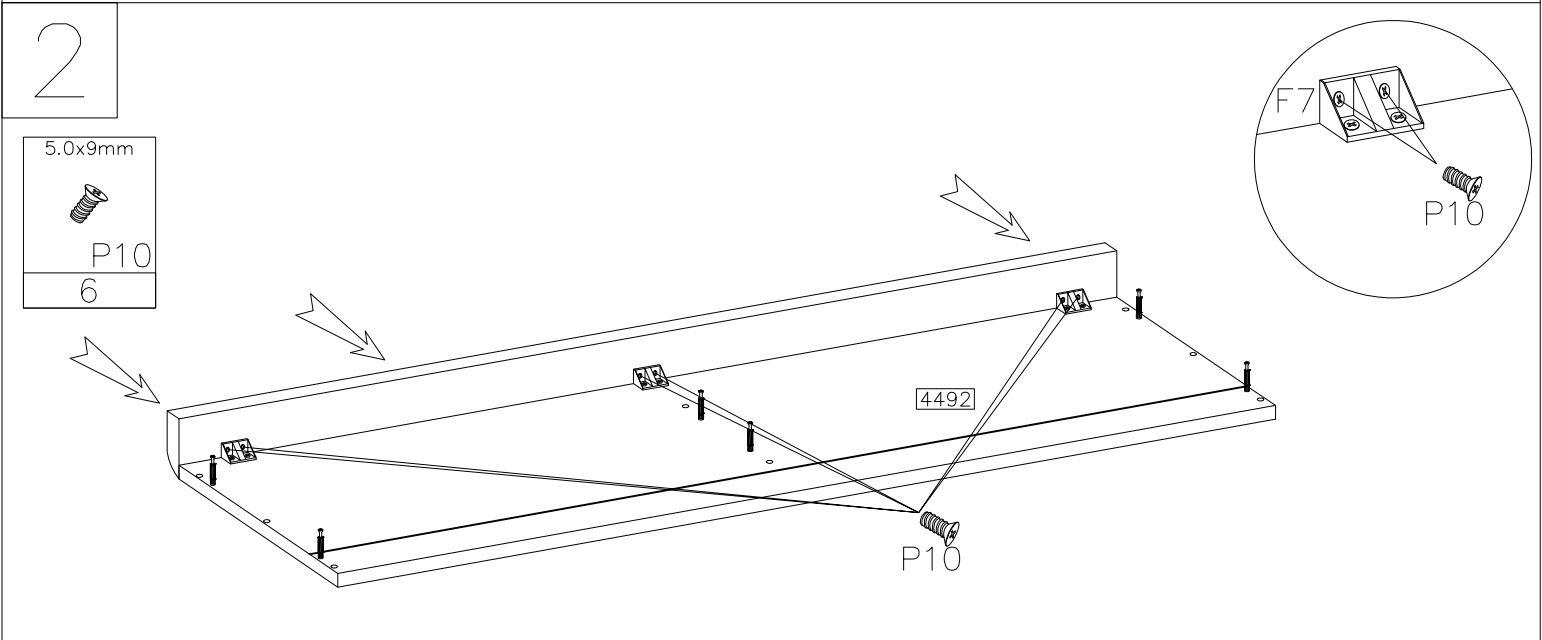
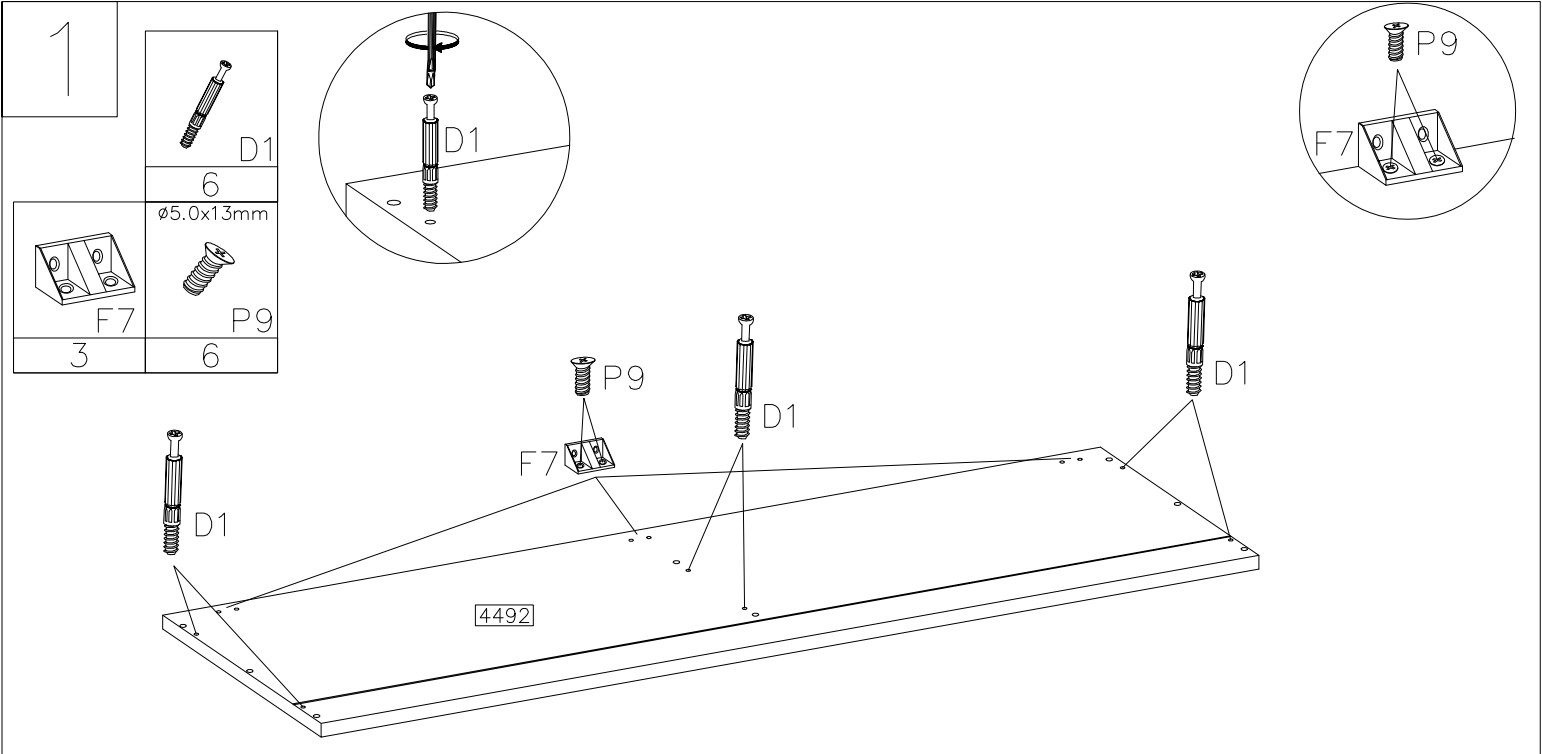


#	ART. NR	L	W	T	Q	Col.No
1	4488	452	451	16	1	1
2	4489	452	451	16	1	1
3	4490	274	371	16	1	1
4	4491	162	250	16	1	1
5	4492	1400	451	16	1	1
6	4493	1400	451	16	1	1
7	4498	467	1383	2,5	1	1
8	4499	645	358	2,5	2	2
9	4462	350	140	16	2	2
10	4463	350	140	16	2	2
11	4496	119	198	18	1	2
12	4497	119	198	18	1	2
13	4486	300	696	18	1	2
14	4487	300	696	18	1	2
15	4494	1367	371	16	1	2
16	4495	1401	60	19	1	2
17	4502	635	123	16	2	2


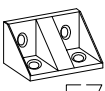



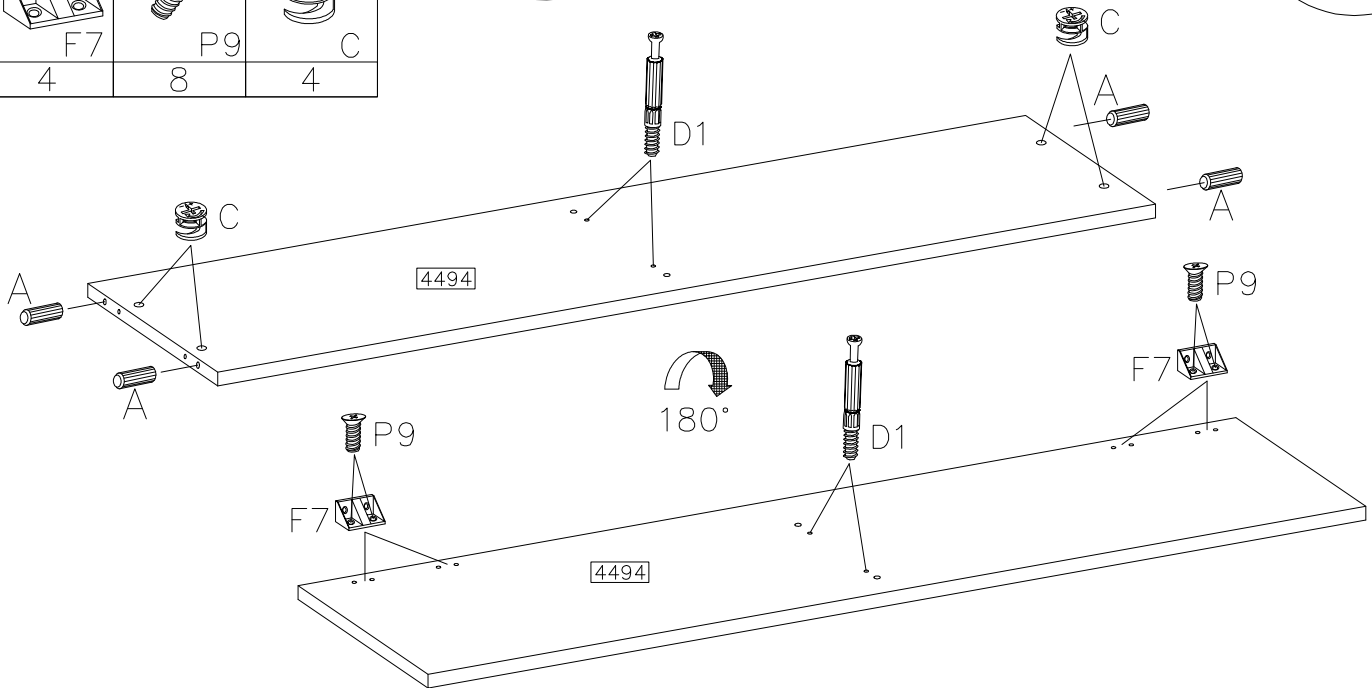
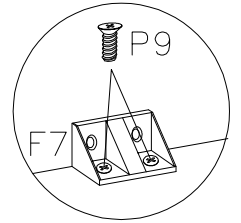
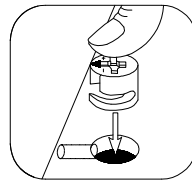
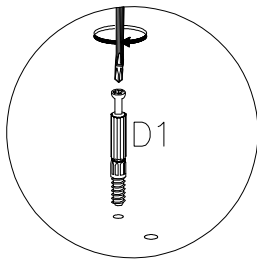
A Ø8x30mm	B Ø15/12mm	C	D1	E	E1	F4	F7	L P PR1		
28	6	18	18	18	6	5	9	2KPL		
L	N	O	P1 Ø3.0x16mm	P4 Ø3.5x16mm	P3 Ø4.0x30mm	P7 Ø3.0x20mm	P10 5.0x9mm	P9 Ø5.0x13mm	R2 M4.0x22mm	S1
8	2	1	28	6	20	4	18	26	4	2
			U Ø6.0x50mm	Z	Z3					
			8	2	2					



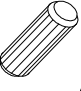


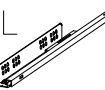
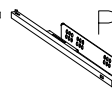


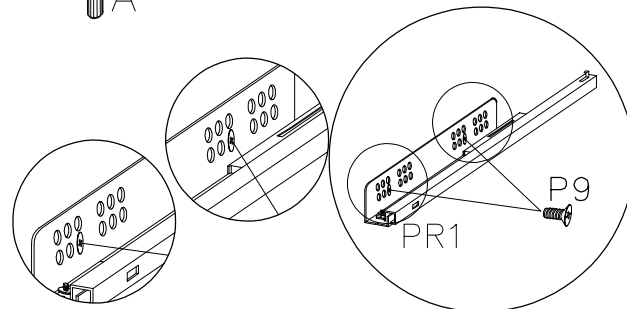
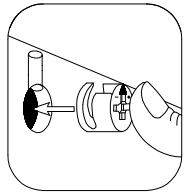
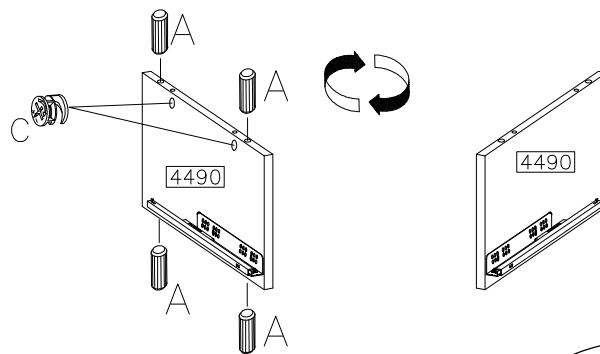
4

	$\varnothing 8 \times 30 \text{mm}$
D1	A
4	4
	$\varnothing 5.0 \times 13 \text{mm}$
F7	P9
4	8
	$\varnothing 15 / 12 \text{mm}$
	C
4	4

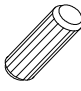



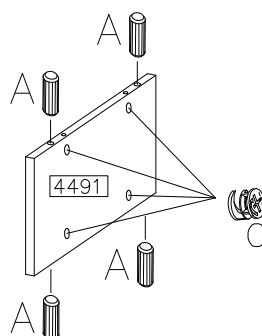
5

	$\varnothing 8 \times 30 \text{mm}$
A	
4	
	$\varnothing 15 / 12 \text{mm}$
C	
2	
	$\varnothing 5.0 \times 13 \text{mm}$
P9	
4	
	
L	P
PR1	
1KPL	

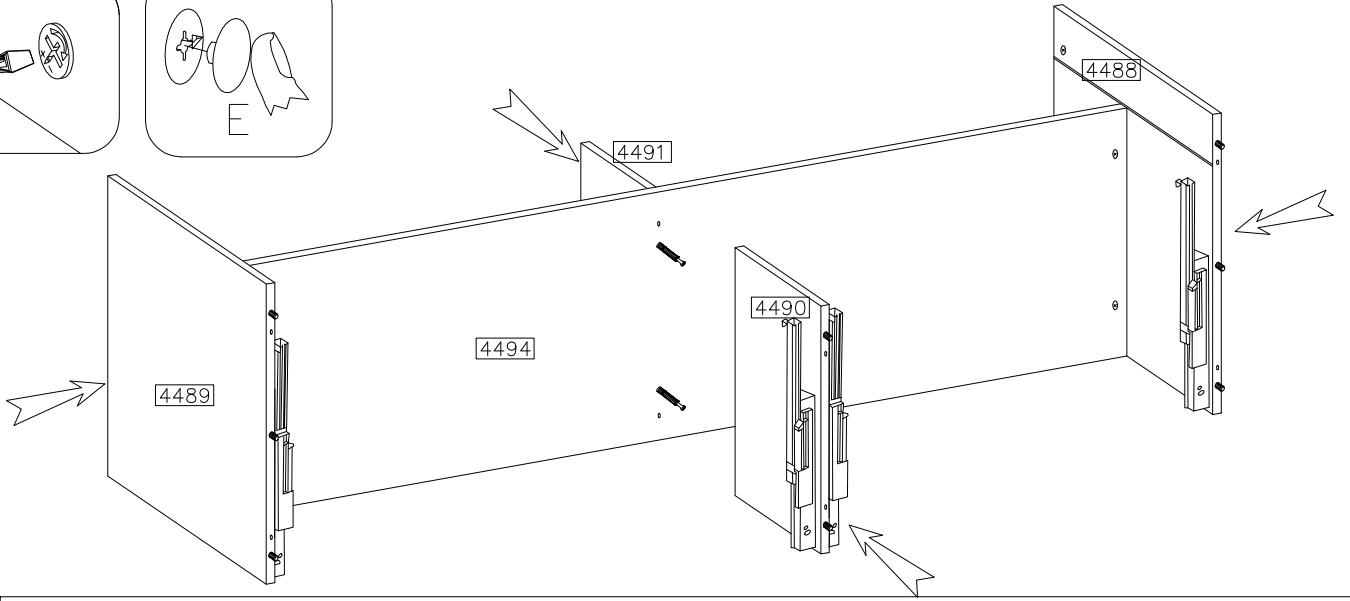
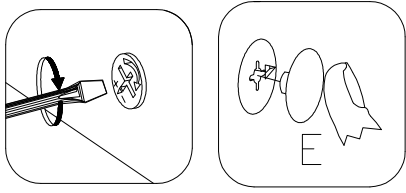
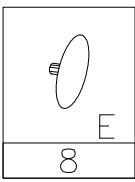


6

	$\varnothing 8 \times 30 \text{mm}$
A	
4	
	$\varnothing 15 / 12 \text{mm}$
	C
4	



7



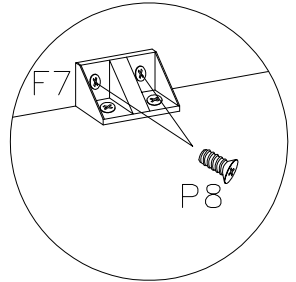
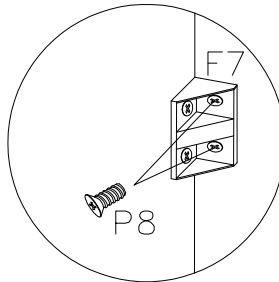
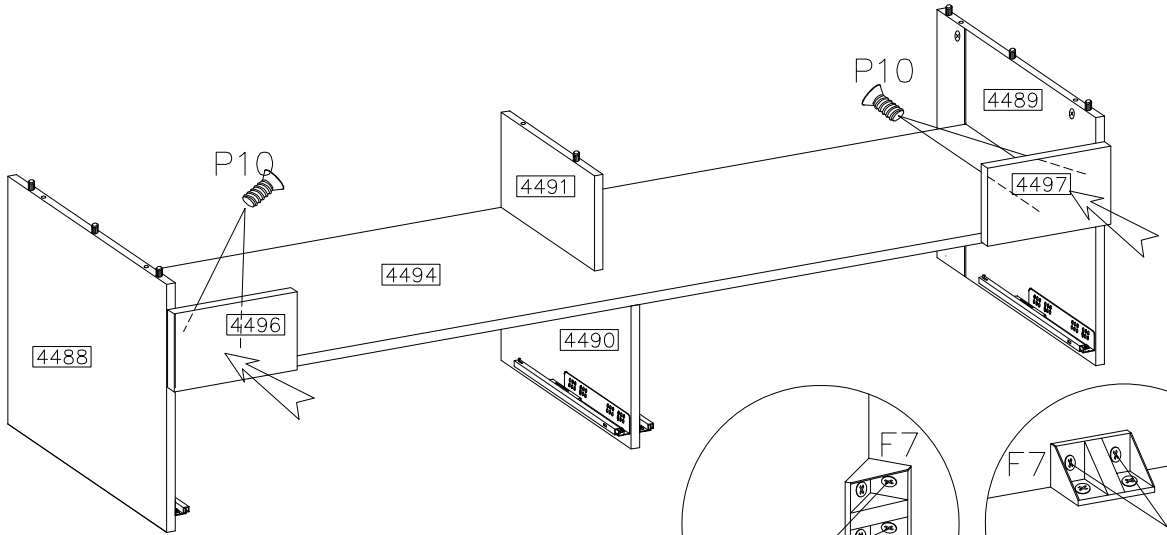
8

5.0x9mm

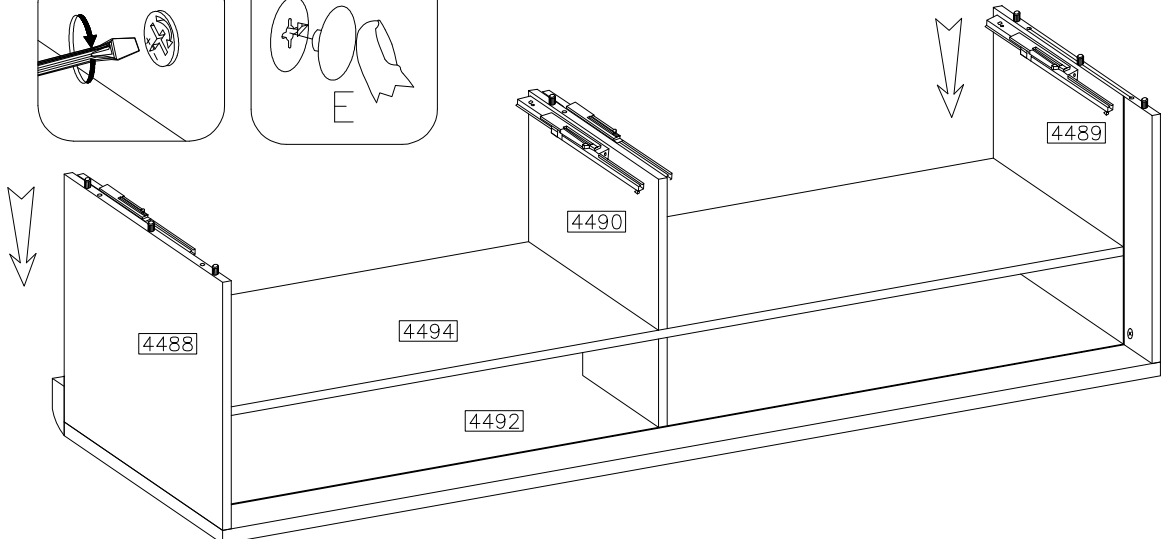
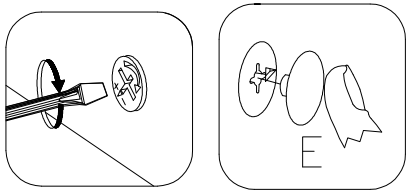
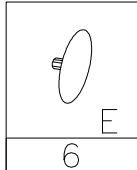


P10




12

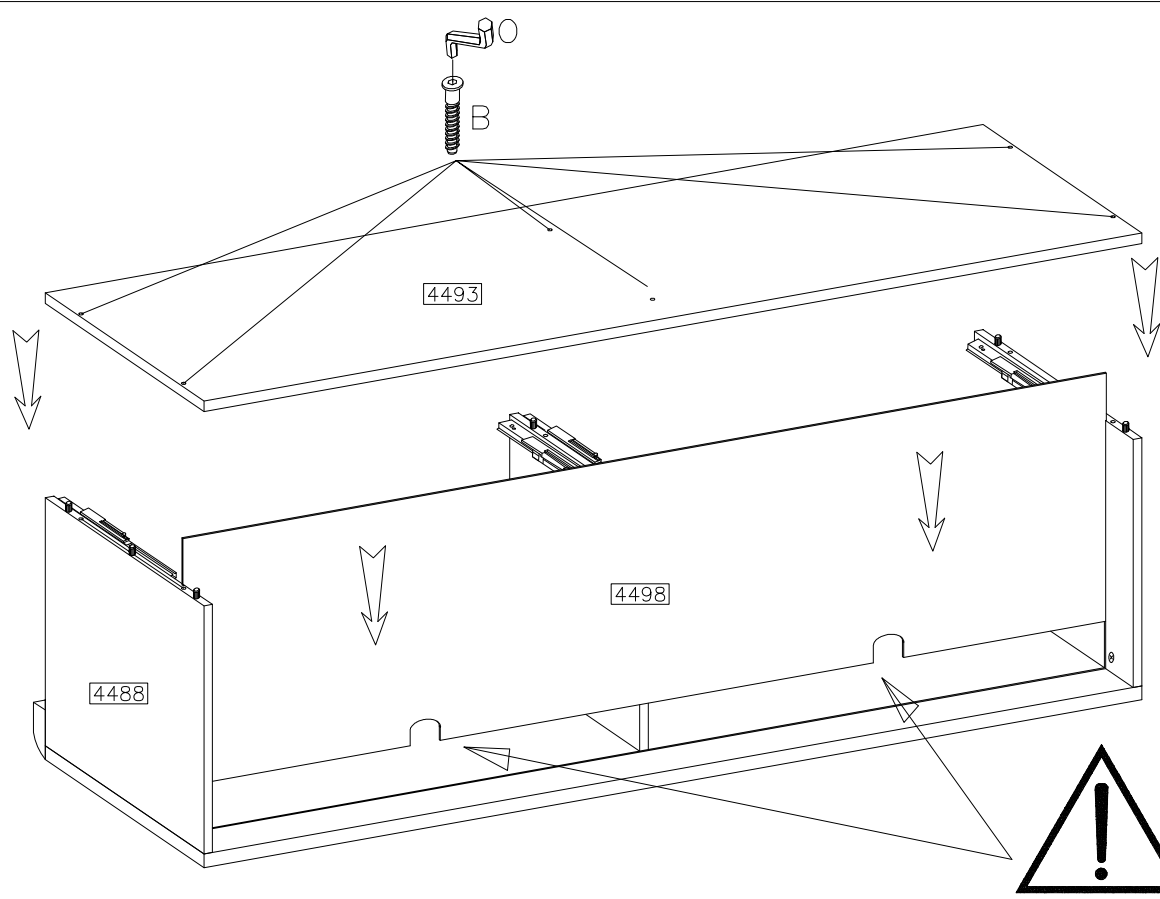


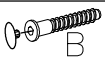
9



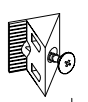
10

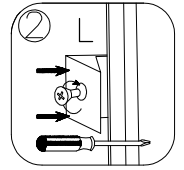
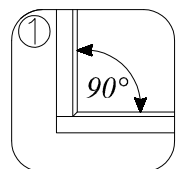
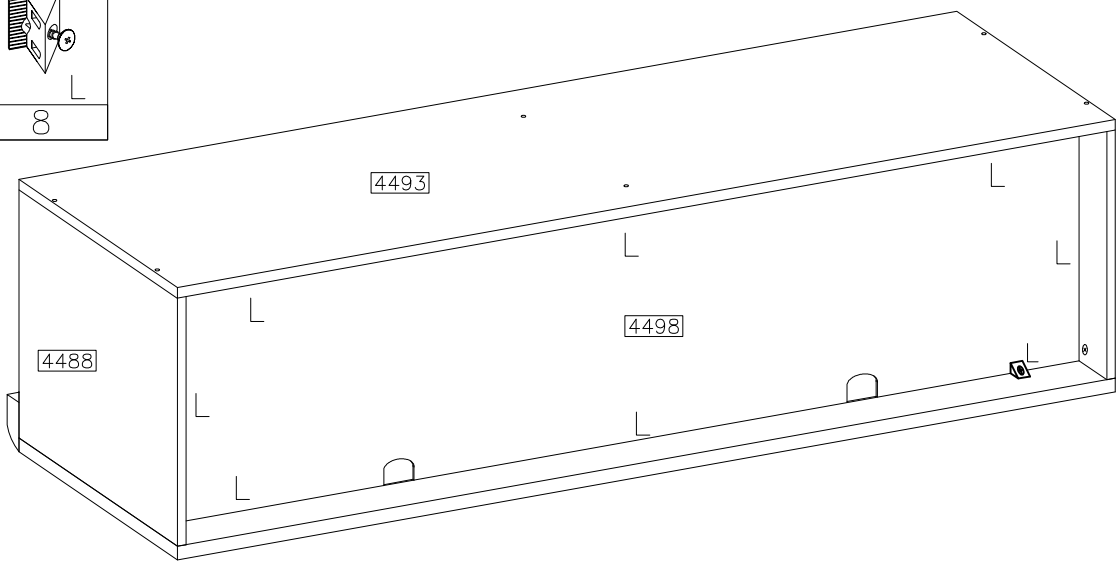
-  B
- 6
-  O
- 6
-  E1
- 6



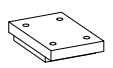

-  E1
- B

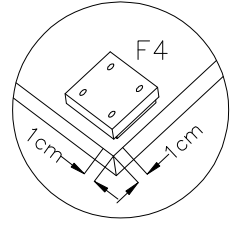
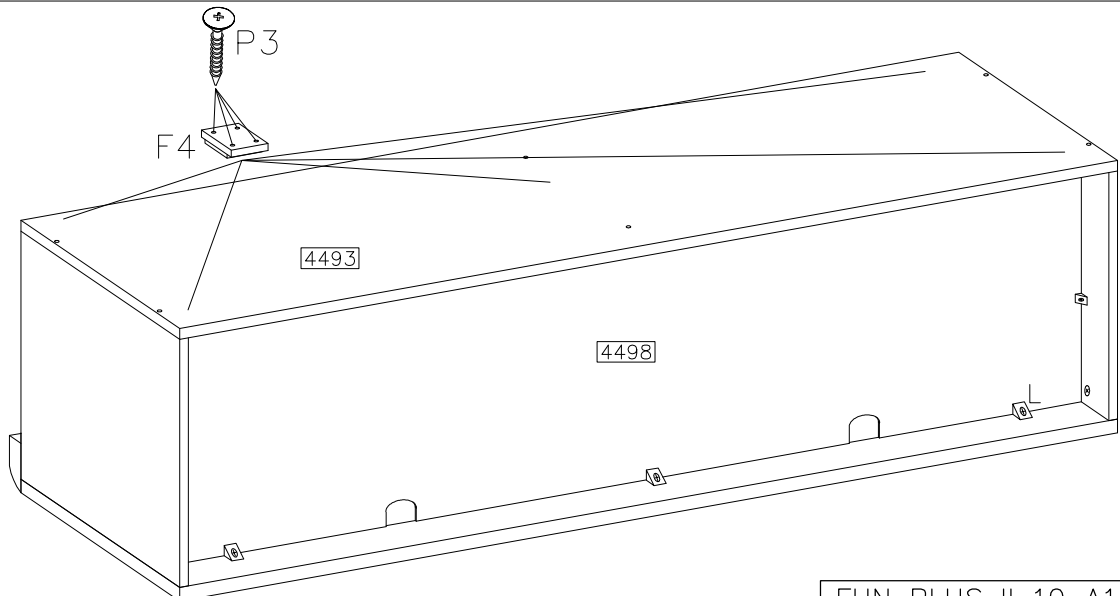
11

-  L
- 8



12

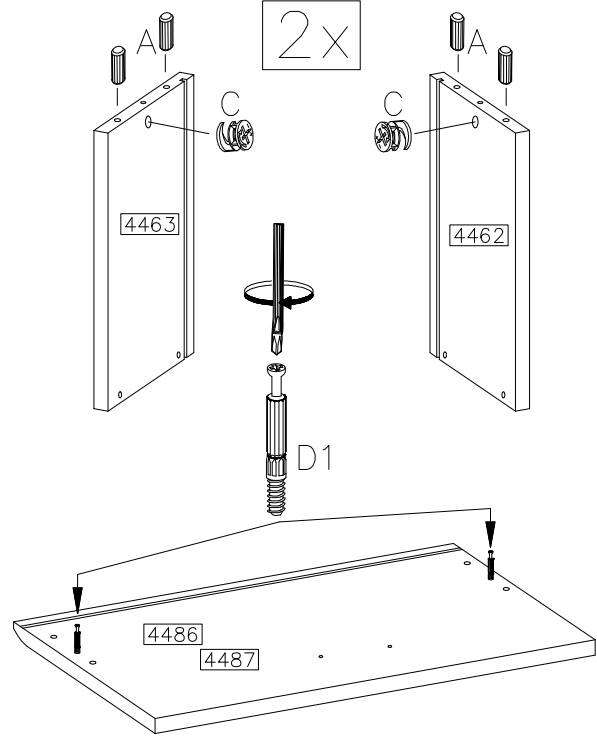
-  F4
- 5
- $\varnothing 4.0 \times 30 \text{mm}$
-  P3
- 20



13

2x

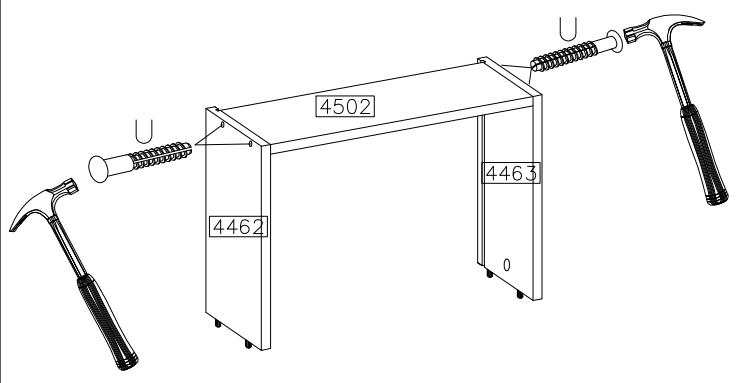
- ø8x30mm
A
8
- ø15/12mm
C
4
- D1
4



14

2x

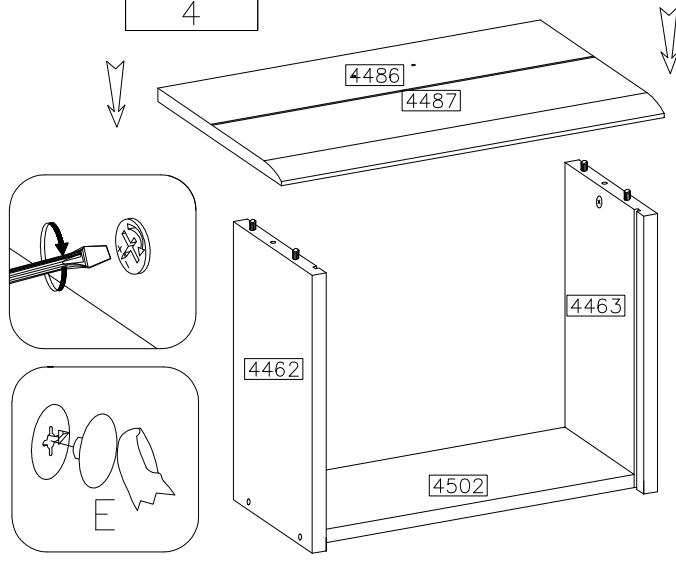
- U
8



15

2x

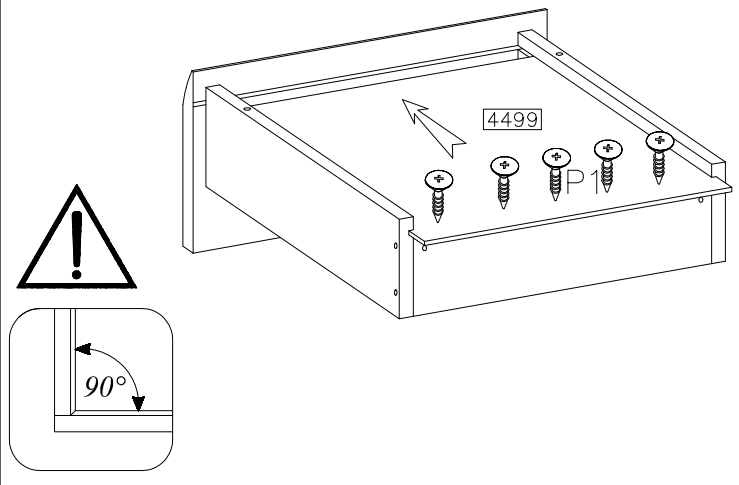
- E
4



16

2x

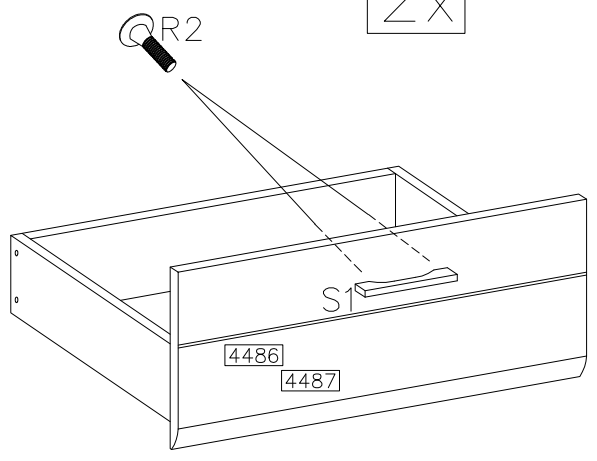
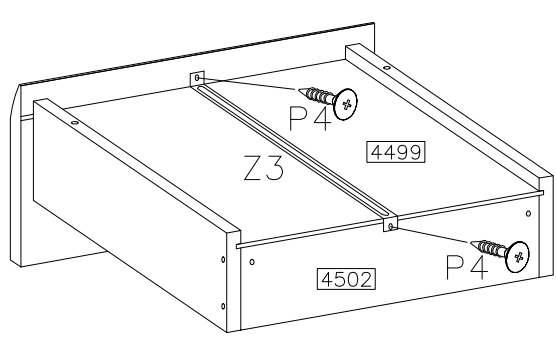
- ø3.0x16mm
P1
28




17

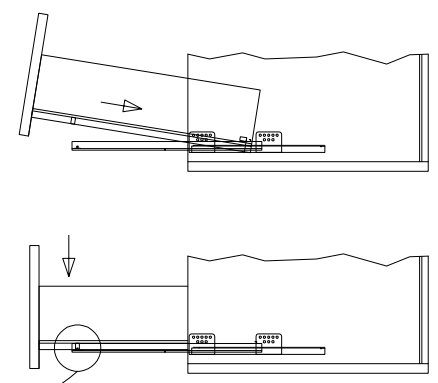
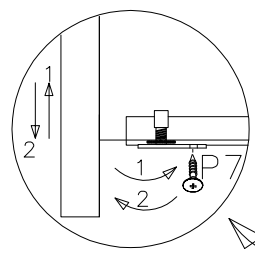
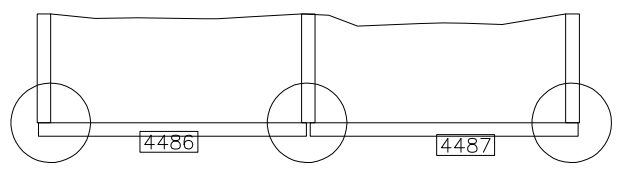
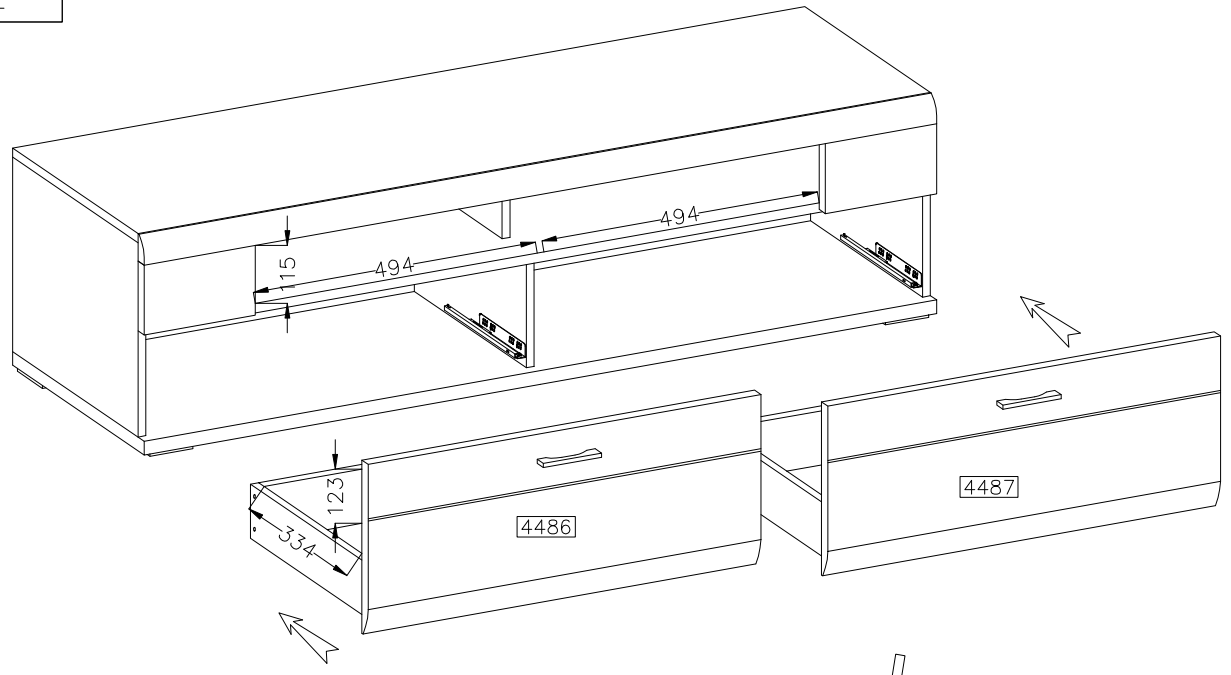
2x

- S1
2
- M4.0x22mm R2
4
- ø3.5x16mm P4
4
- Z3
2




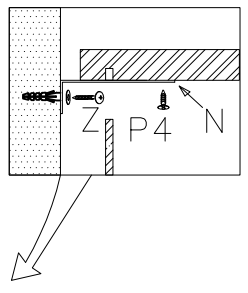
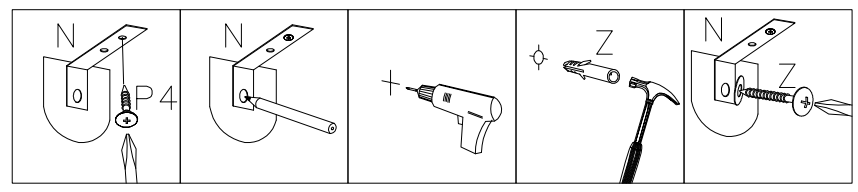
18


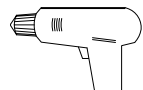

$\varnothing 3.0 \times 20 \text{mm}$

 P7
 4





19

$\varnothing 6.0 \times 50 \text{mm}$

 Z
 2



$\varnothing 6$ WALL DRILL




$\varnothing 3.5 \times 16 \text{mm}$  P4 2	 N 2
---	---

