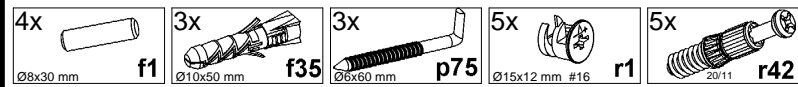
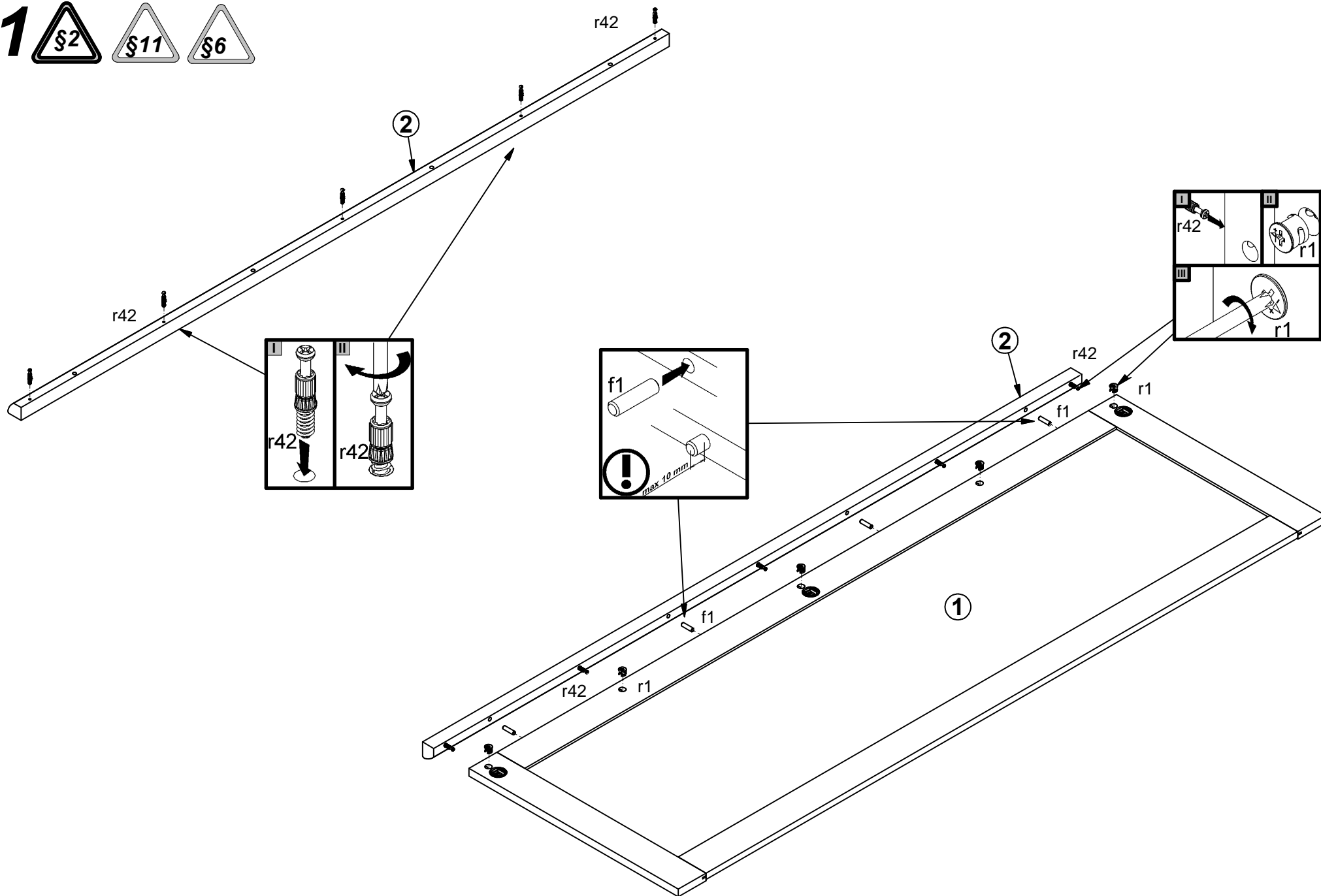
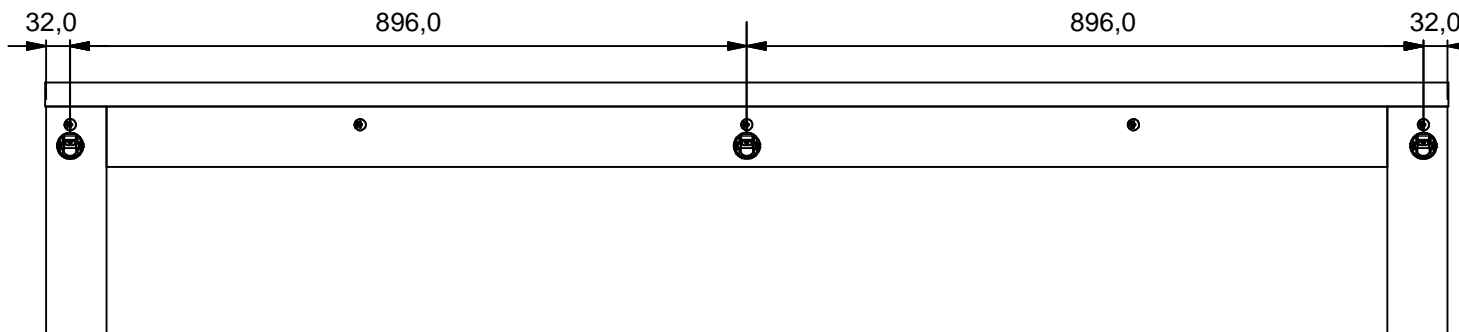
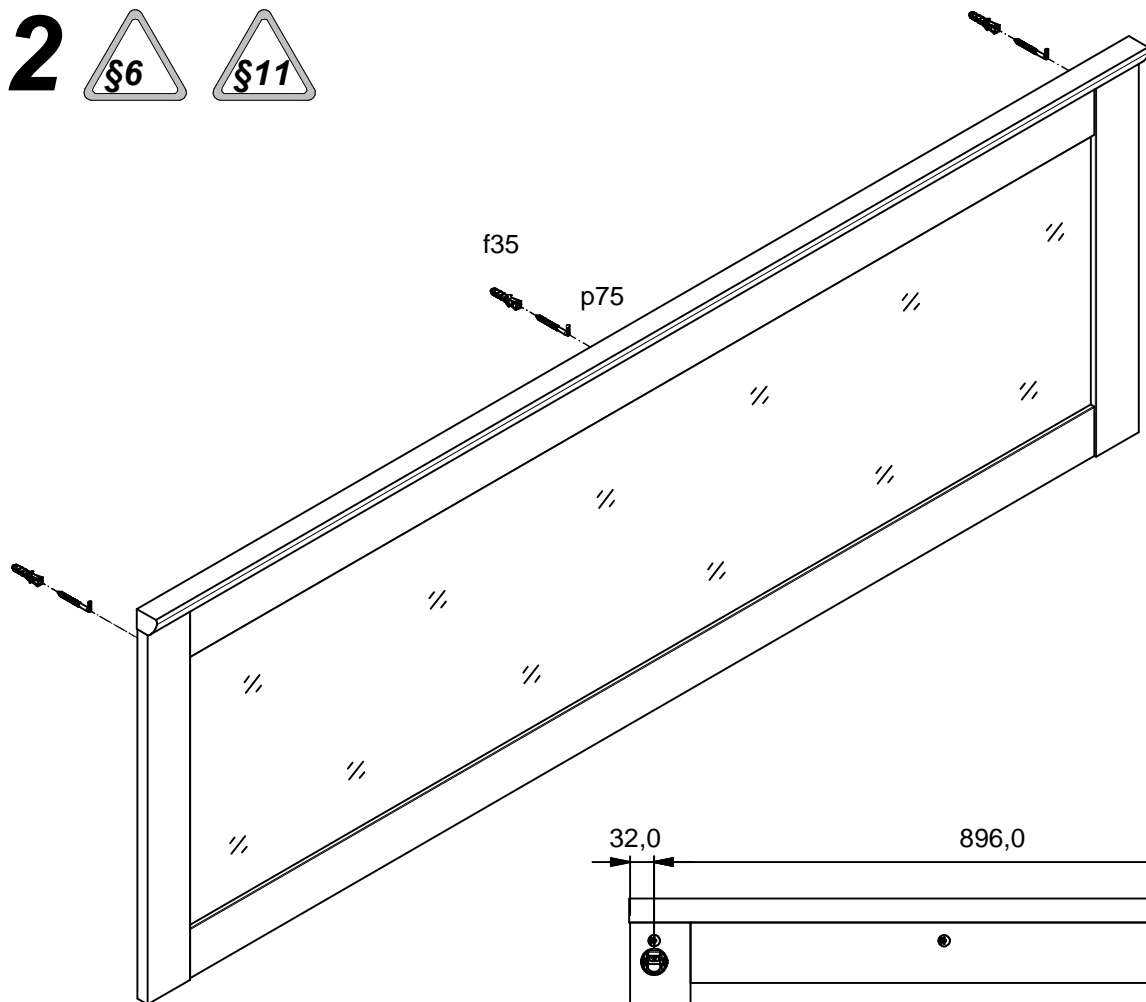


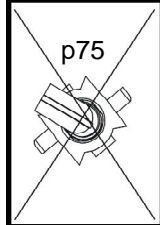
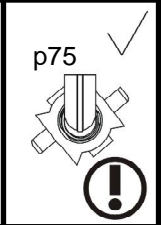
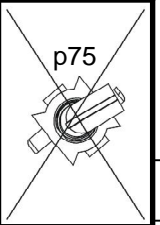
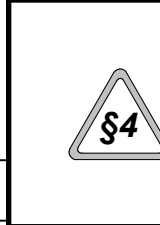
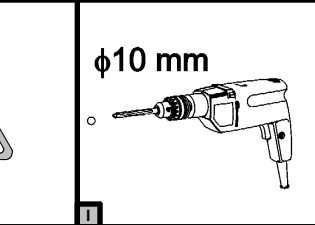
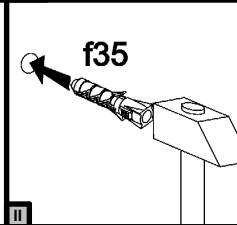
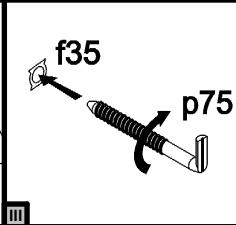
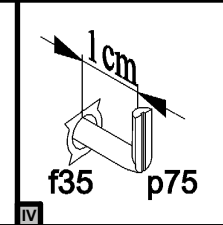
A	B	C (mm)		D
1	S331-023	600	1856	1/1
2	S331-216	1858	38	1/1



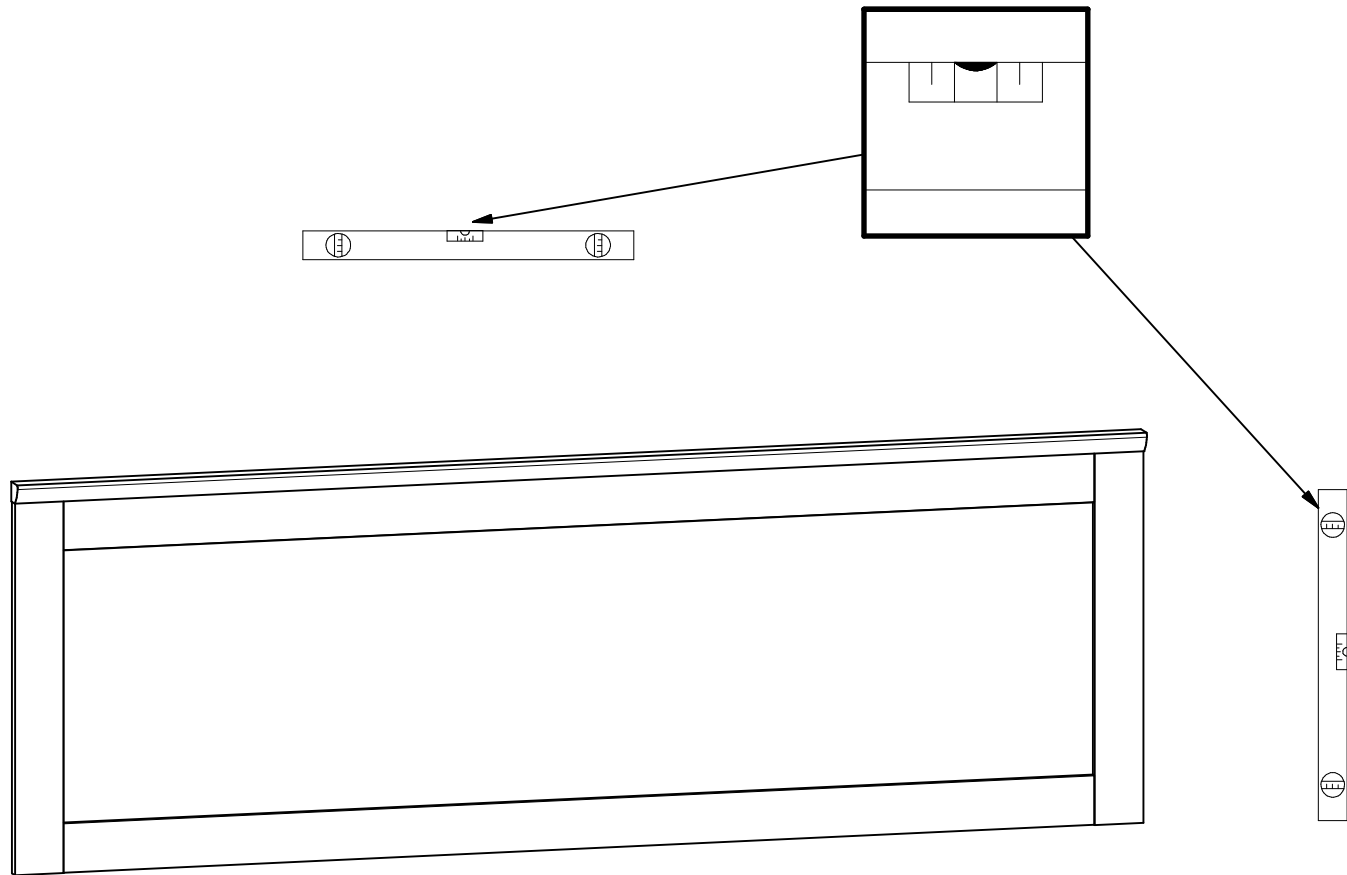


2



							
---	---	---	--	---	---	---	---

3



S10

92