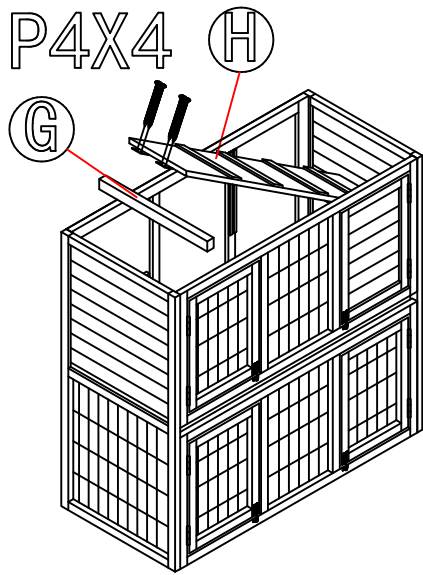
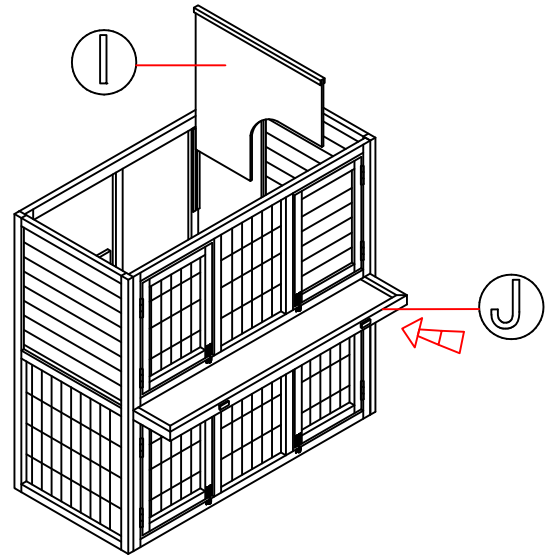


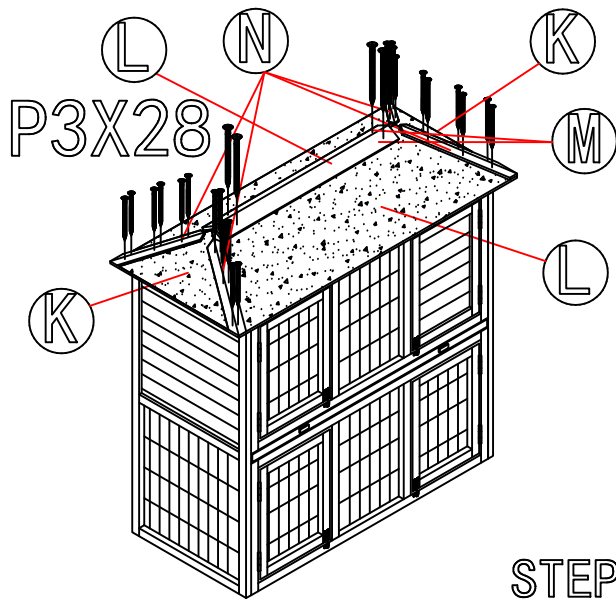
# ASSEMBLY INSTRUCTION



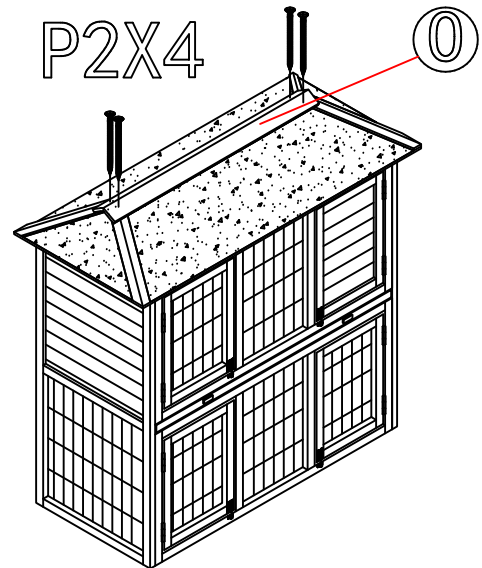
STEP1



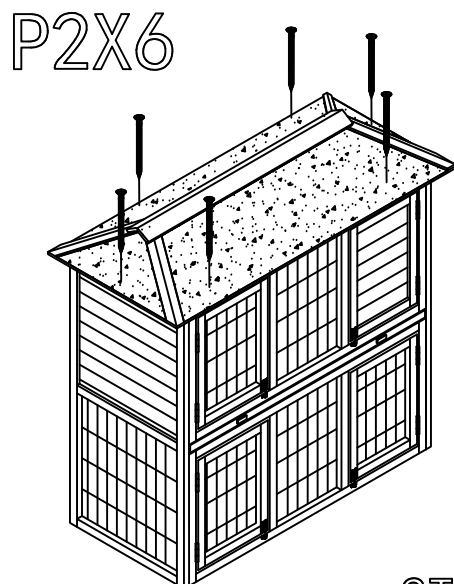
STEP2



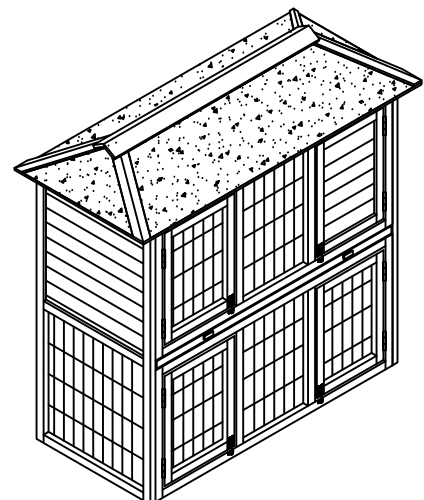
STEP3



STEP4



STEP5



FINISH