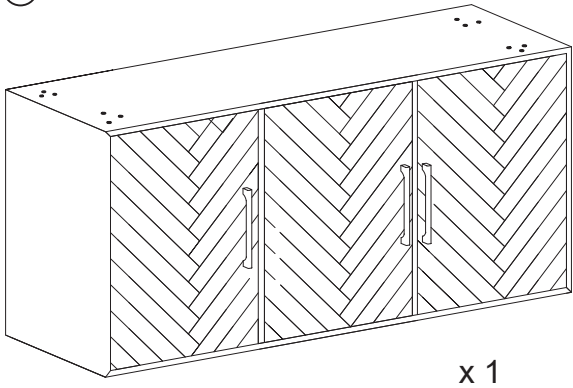
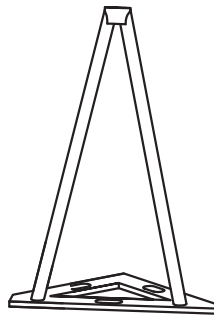


Ⓐ

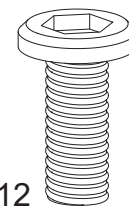


Ⓑ



x 4

Ⓒ



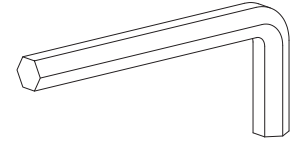
x 12

Ⓓ

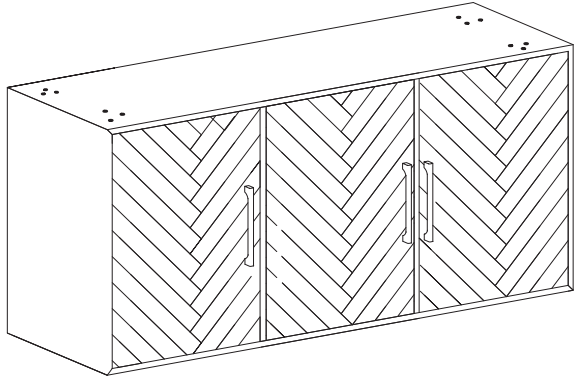


x 12

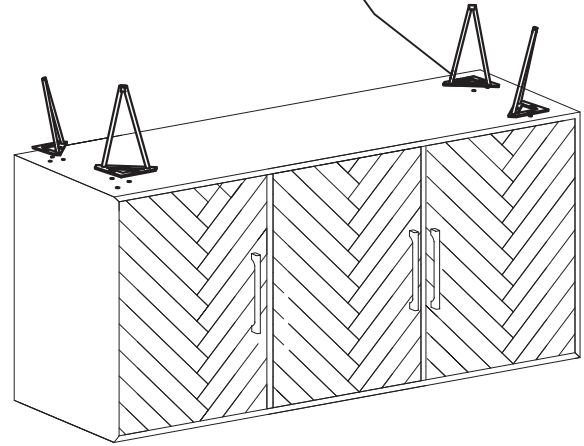
Ⓔ



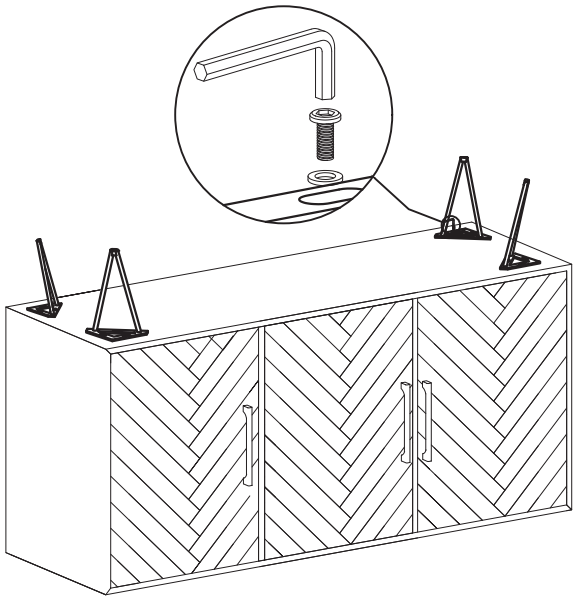
x 1



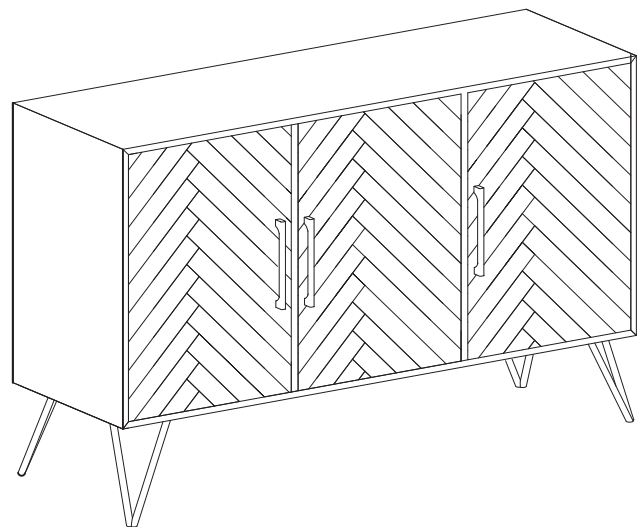
STEP-1



STEP-2



STEP-3



FINAL