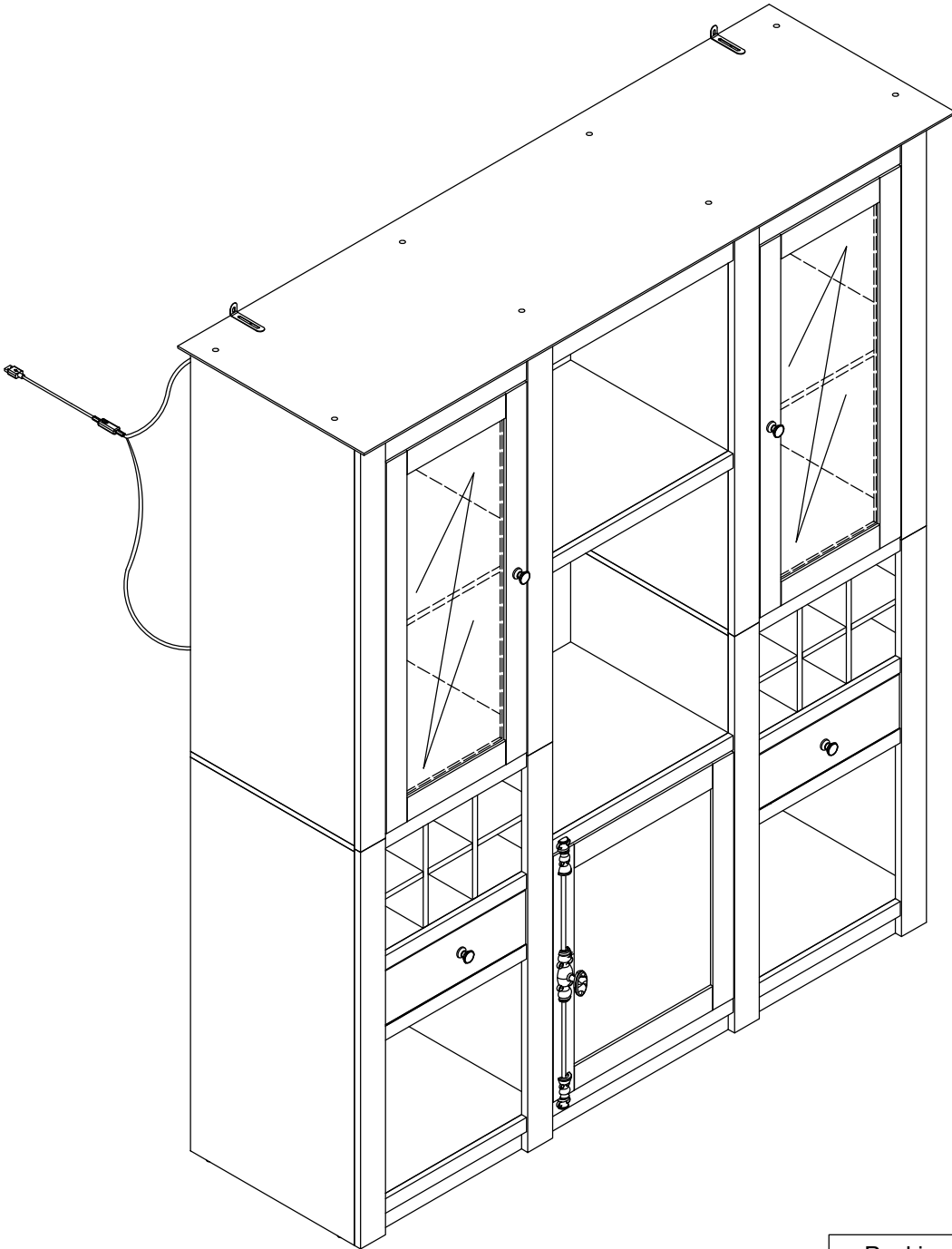


# ASSEMBLY INSTRUCTIONS

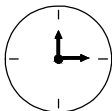


Packing Details: 3 Boxes In Total

Box-1/3	WF296770
Box-2/3	WF296771
Box-3/3	WF296772

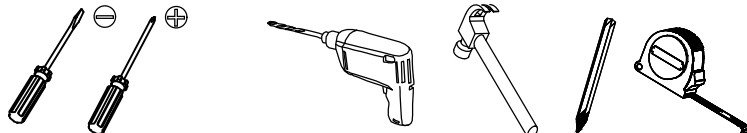


3PERS

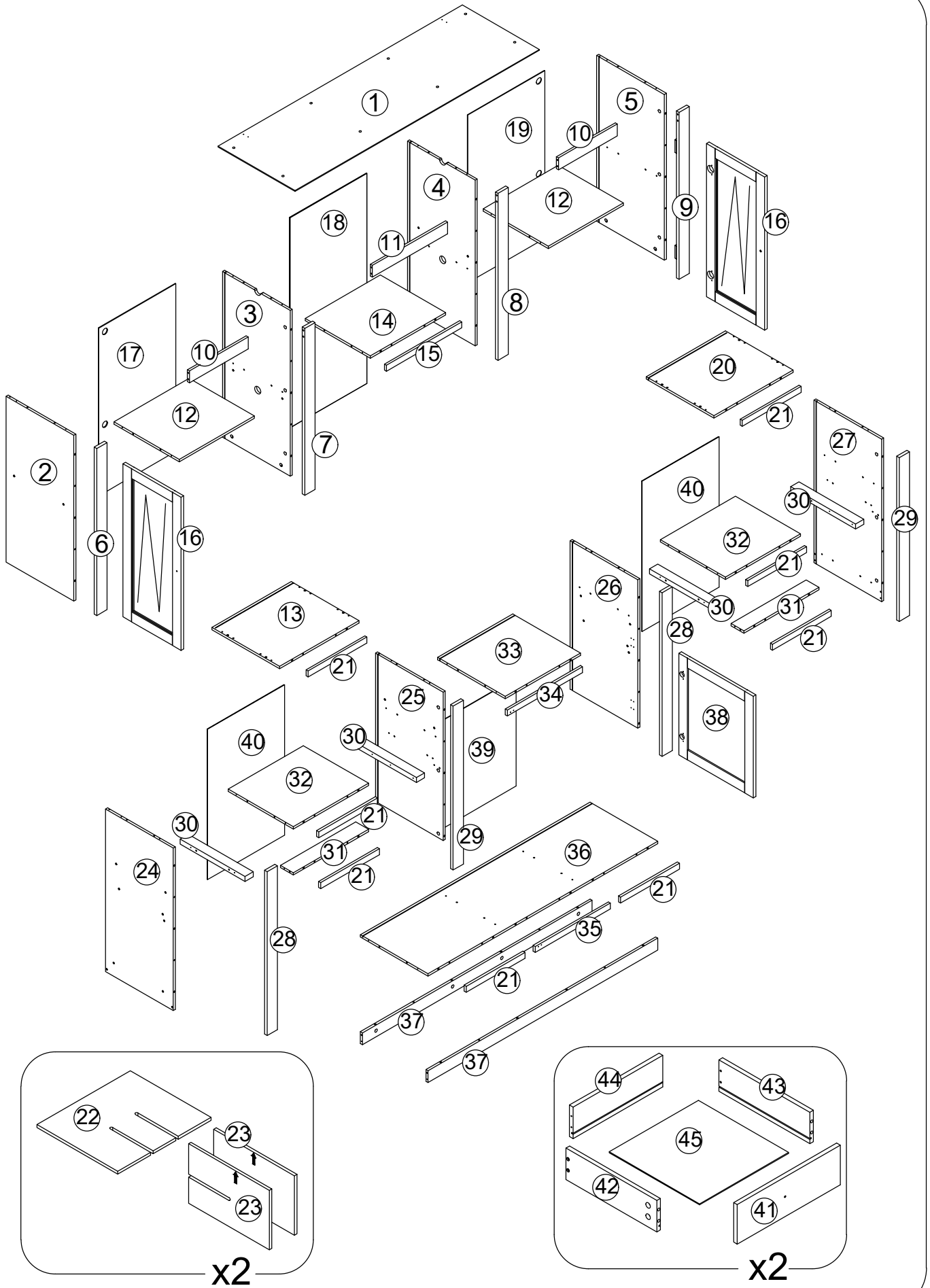


240MIN

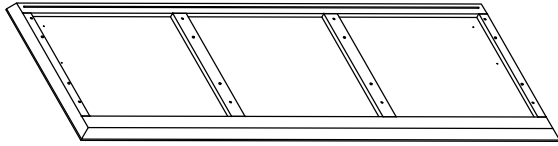
Tool Required Not Provided



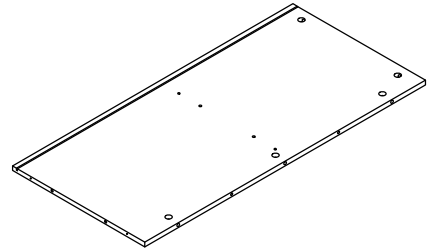
# Parts list



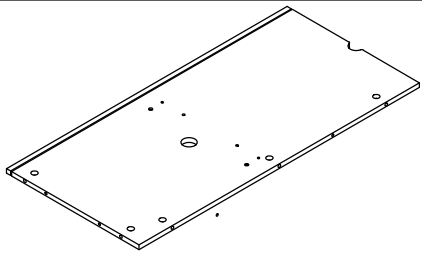
① x1



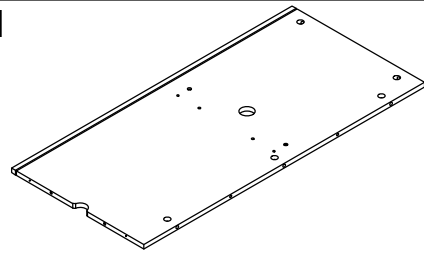
② x1



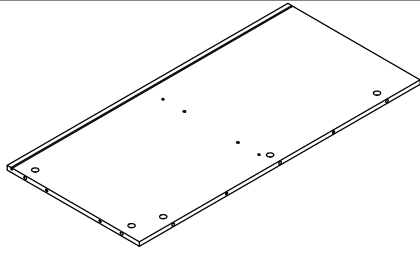
③ x1



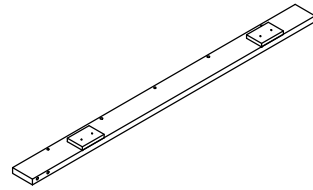
④ x1



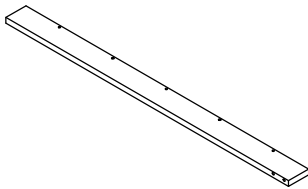
⑤ x1



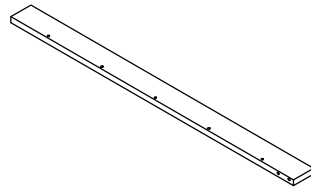
⑥ x1



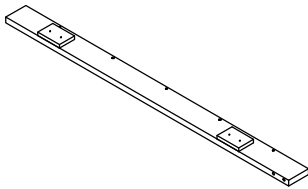
⑦ x1



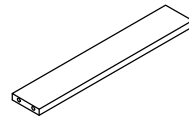
⑧ x1



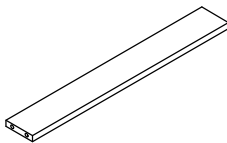
⑨ x1



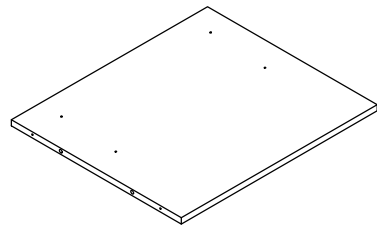
⑩ x2



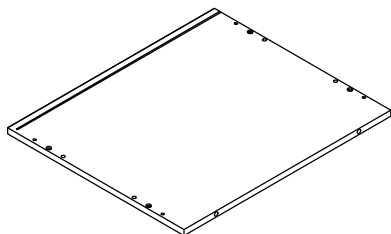
⑪ x1



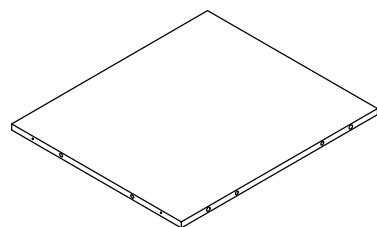
⑫ x1



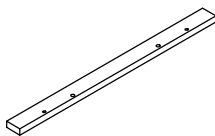
⑬ x1



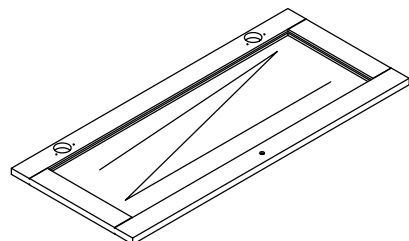
⑭ x1



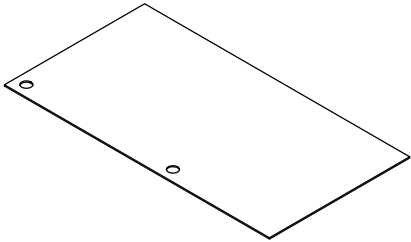
⑮ x1



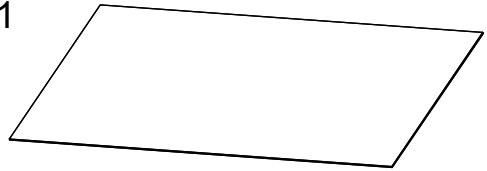
⑯ x2



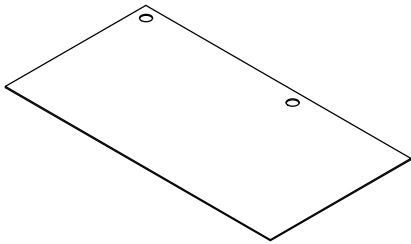
①7x1



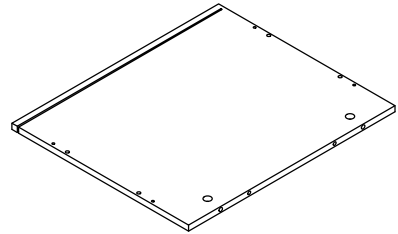
①8x1



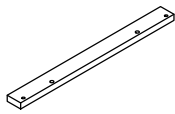
①9x1



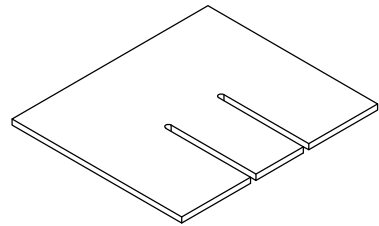
②0x1



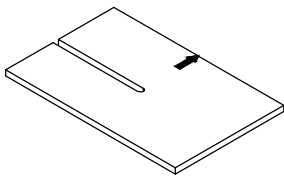
②1x8



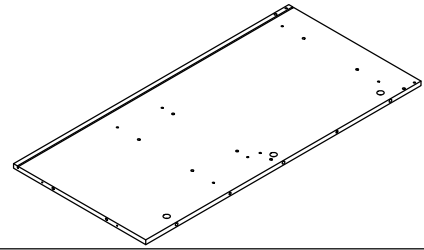
②2x2



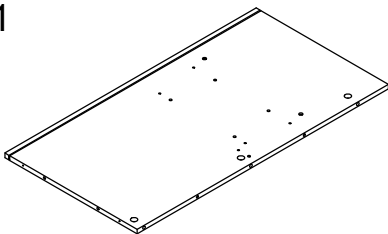
②3x4



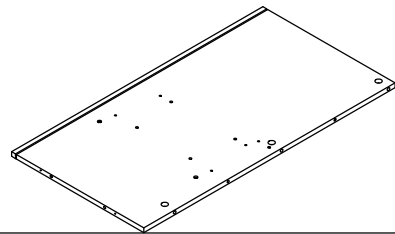
②4x1



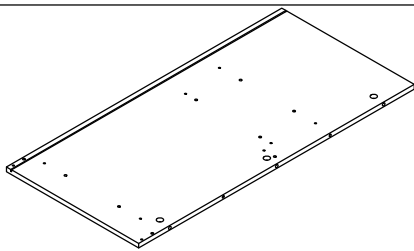
②5x1



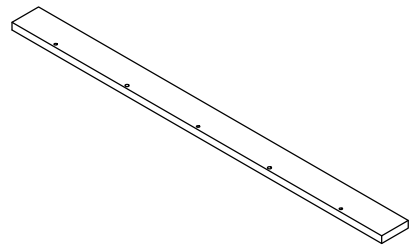
②6x1



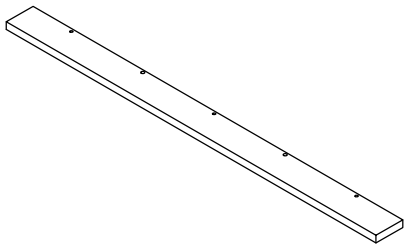
②7x1



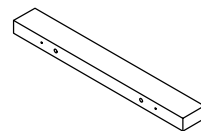
②8x2



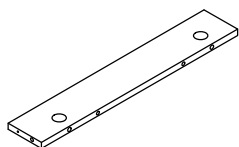
②9x2



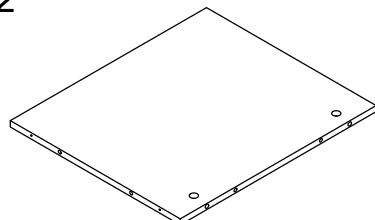
③0x4



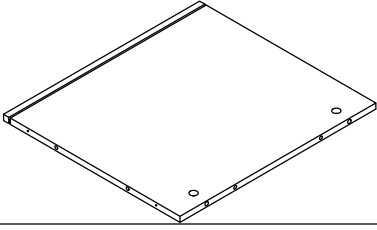
③1x2



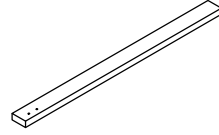
③2x2



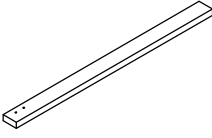
33x1



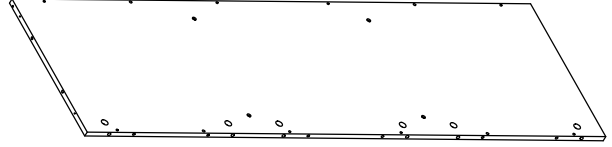
34x1



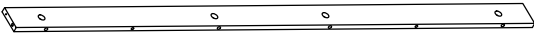
35x1



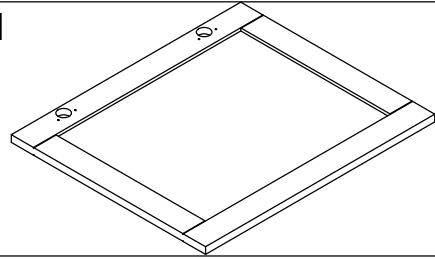
36x1



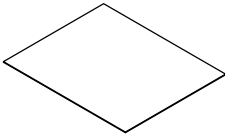
37x2



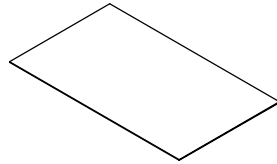
38x1



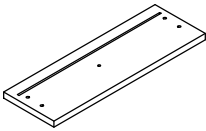
39x1



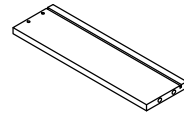
40x2



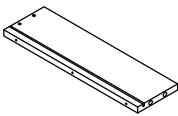
41x2



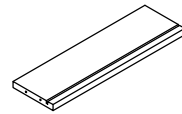
42x2



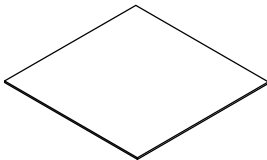
43x2



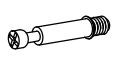





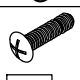
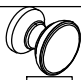

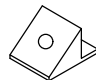




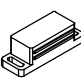










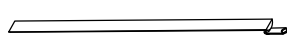


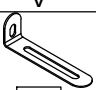
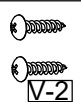
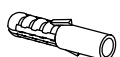




44x2



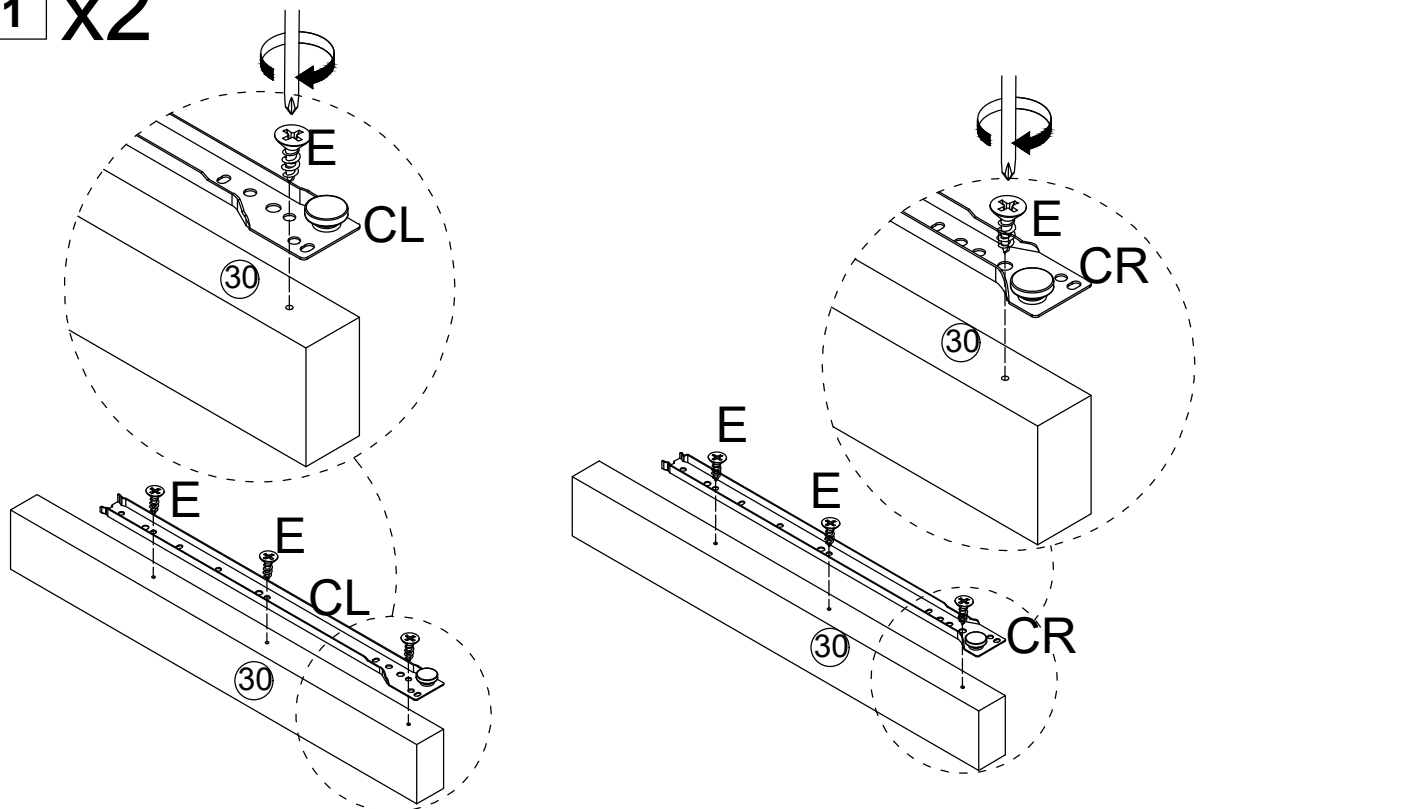
45x2






# Hardware

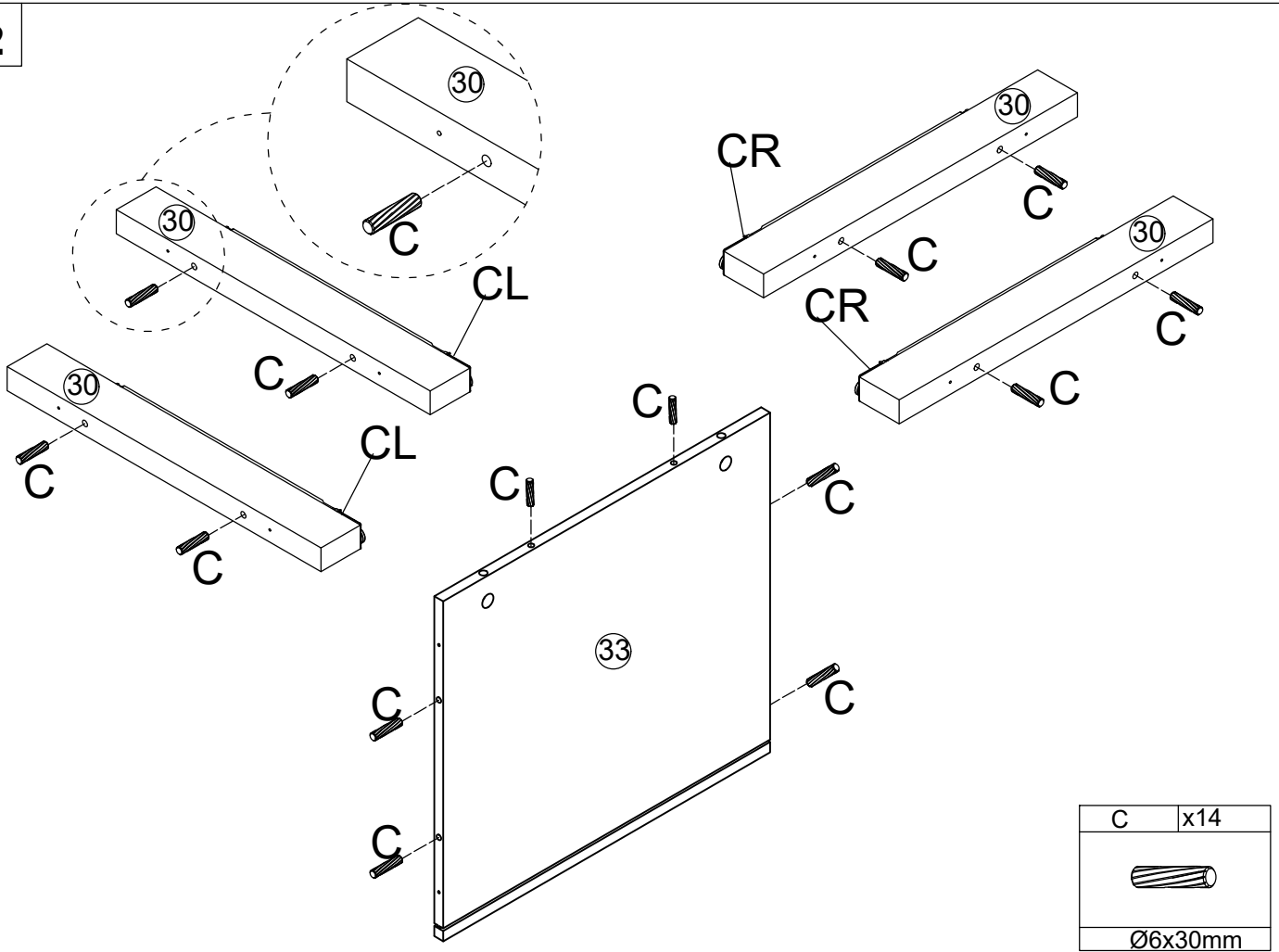
A	x66(+2)	B	x66(+2)	C	x110(+4)	D	x62(+3)	E	x24(+2)	F	x8
											
Ø6x35mm		Ø15x10mm		Ø6x30mm		Ø4x35mm		Ø3x12mm	Ø6x50mm		
G	x4	H	x8	I	x36(+3)	J	x36(+3)	K	x2	L	x28(+2)
 G-1	 G-2										
Ø4x45mm		Ø4x45mm				Ø3x16mm			Ø3.5x14mm		
M	x4	N	x1	O	x2	P	x30(+2)	Q	x1		
								 Q-1 x1	 Q-2 x2	 Q-3 x1	
						Ø15mm					
R	x4	S	x1					T	x12	U	x1
 R-1	 R-2	 S-1 x1	 S-2 x2	 S-3 x2	 S-4 x2						
V	x2	W	x2	CL	x2	CR	x2	DL	x2	DR	x2
 V-1	 V-2										
		Ø6x30mm		L300mm		L300mm		L300mm	L300mm		

1 x2

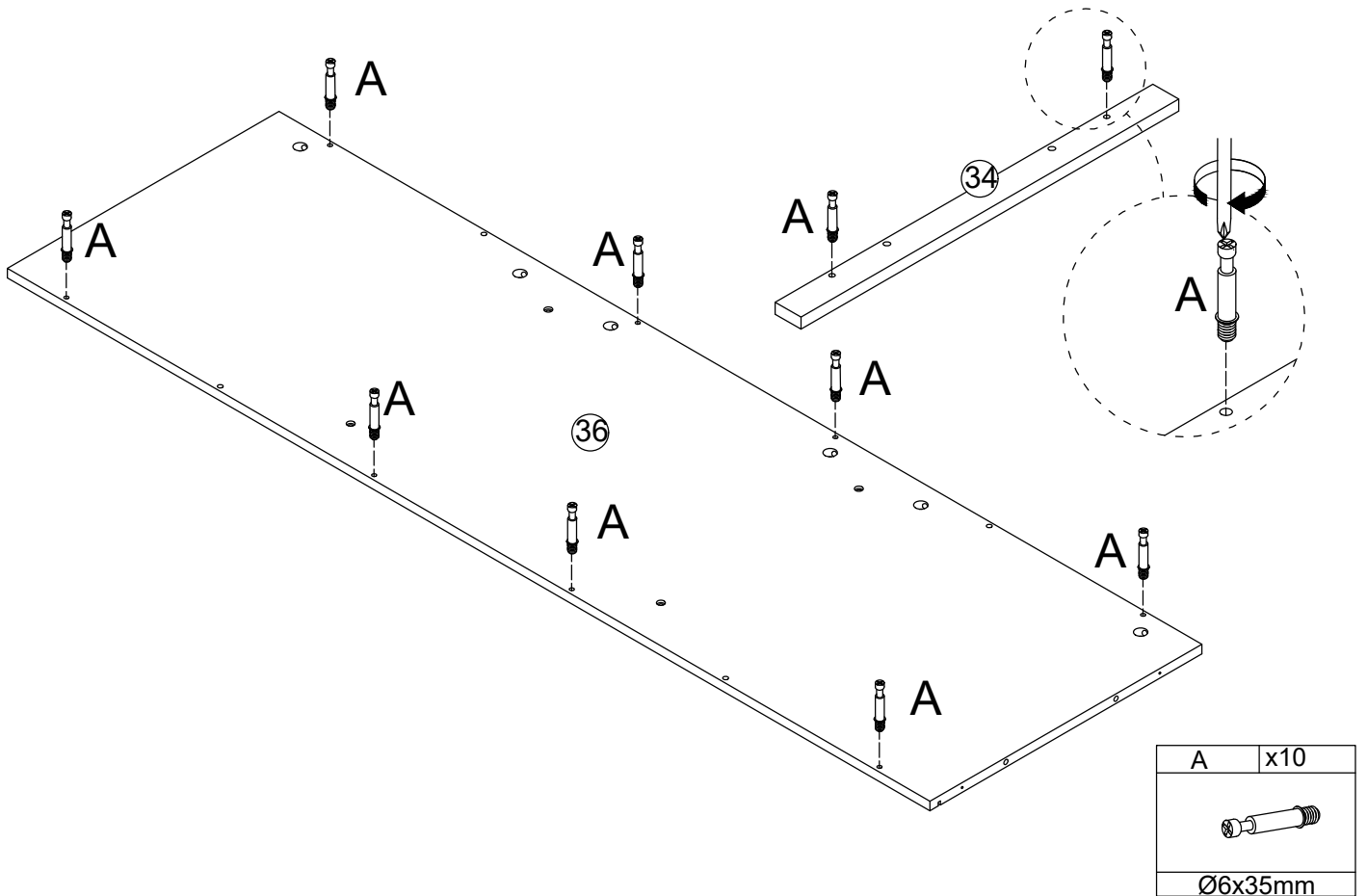


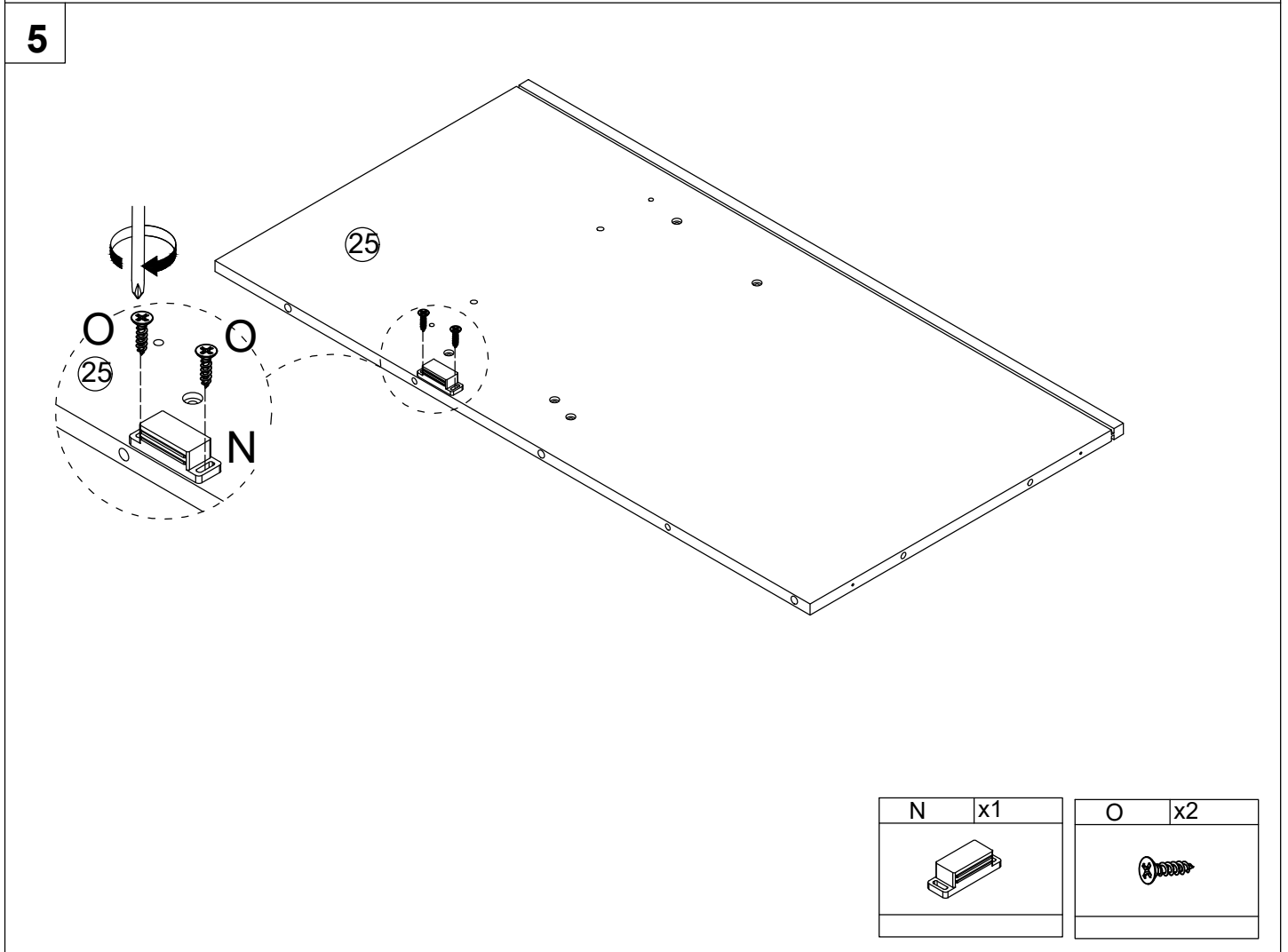
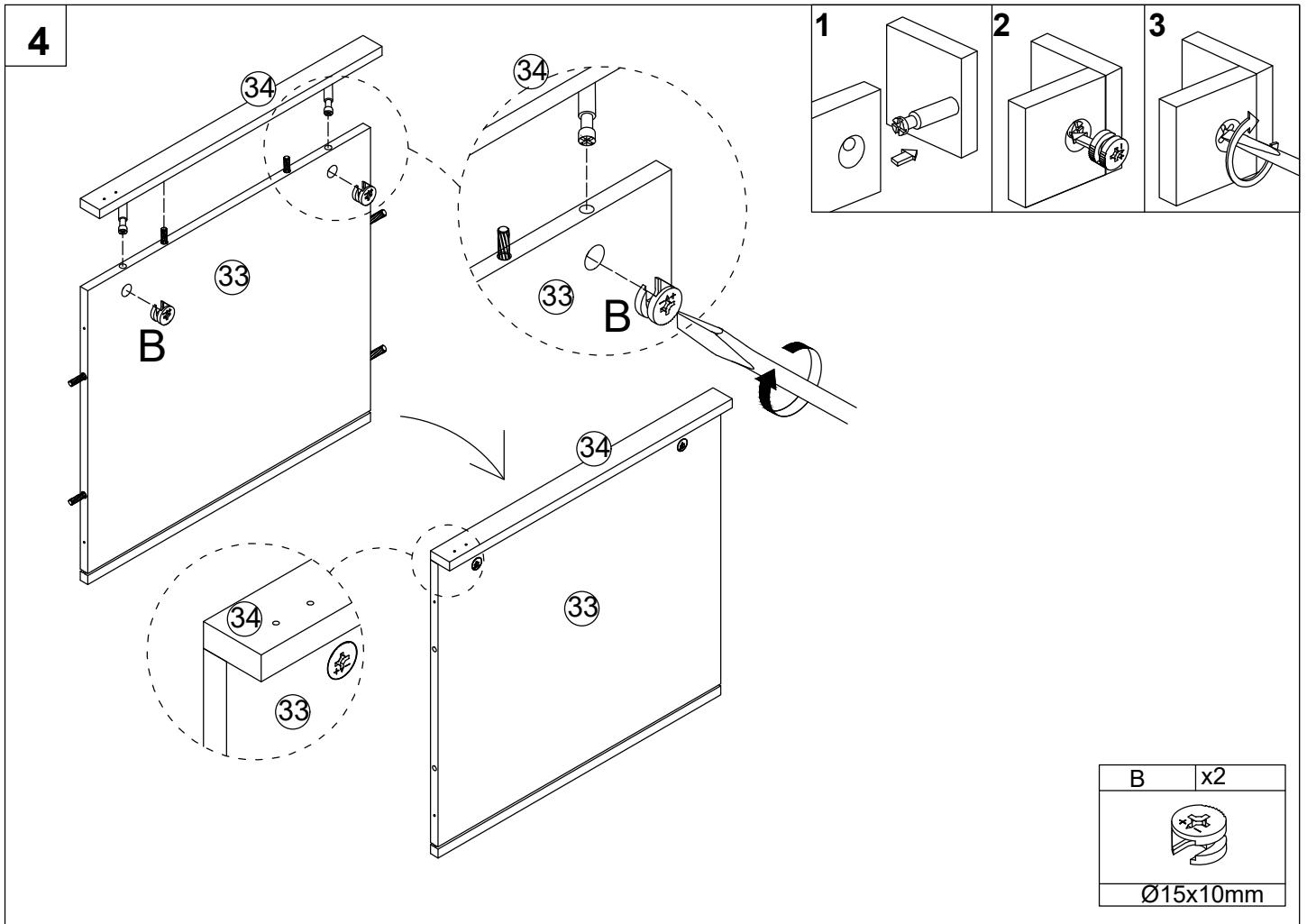
E	x12	CL	x2	CR	x2
					
Ø3x12mm		L300mm		L300mm	

2



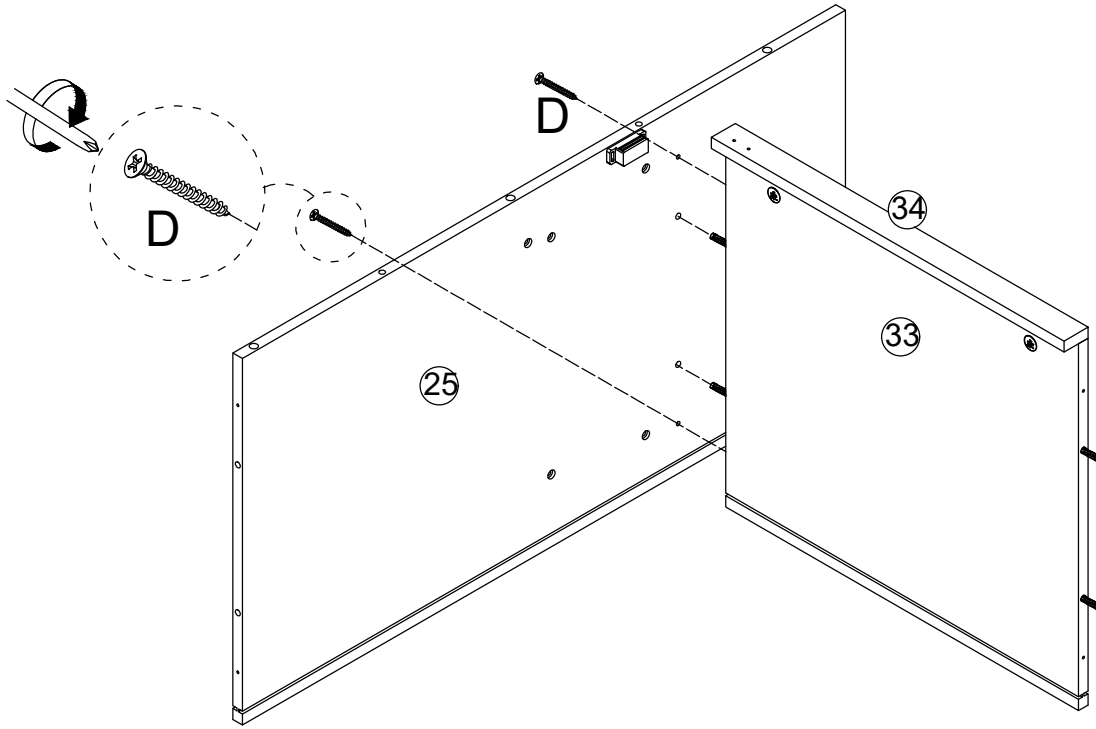
3





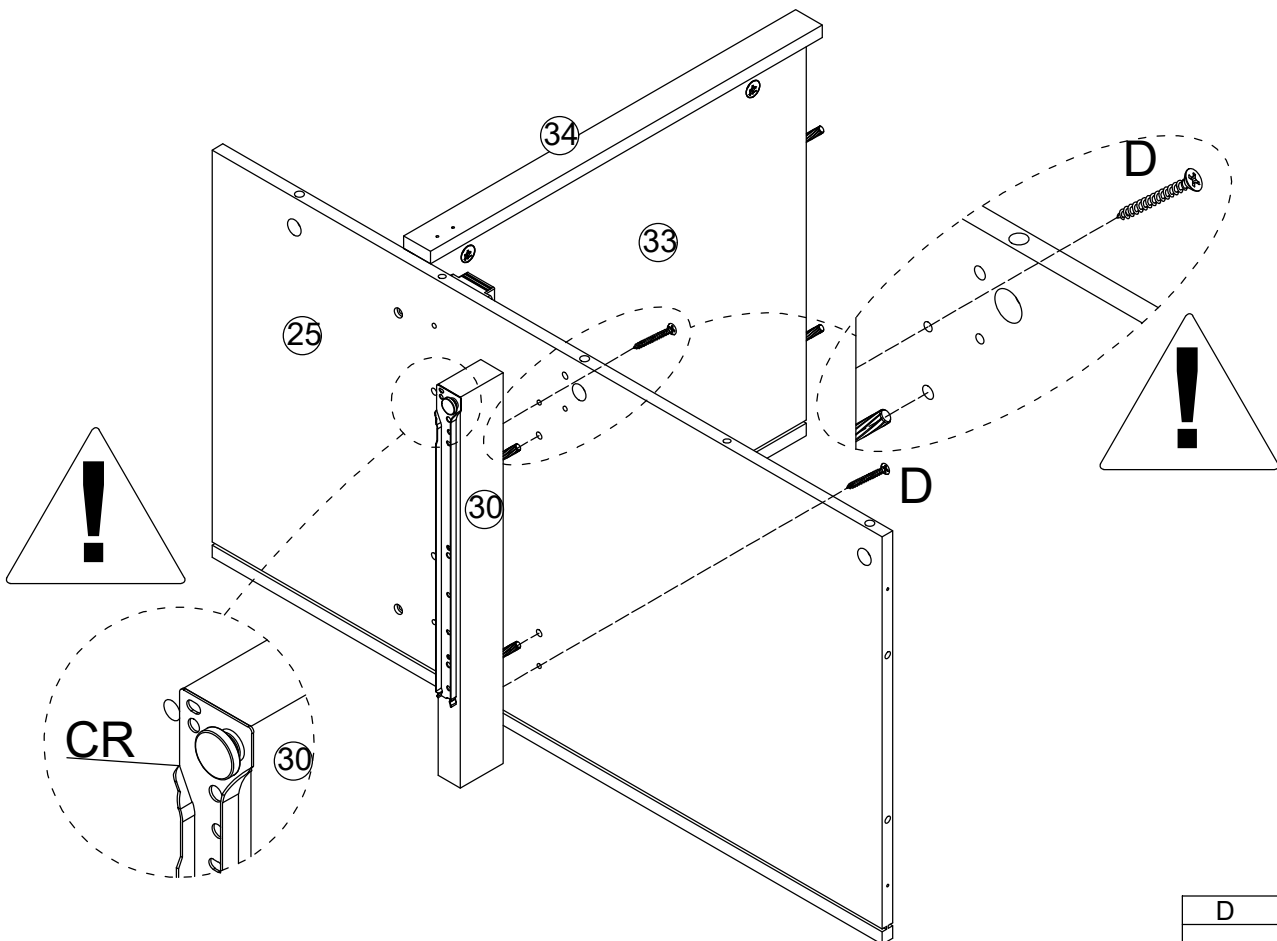


6

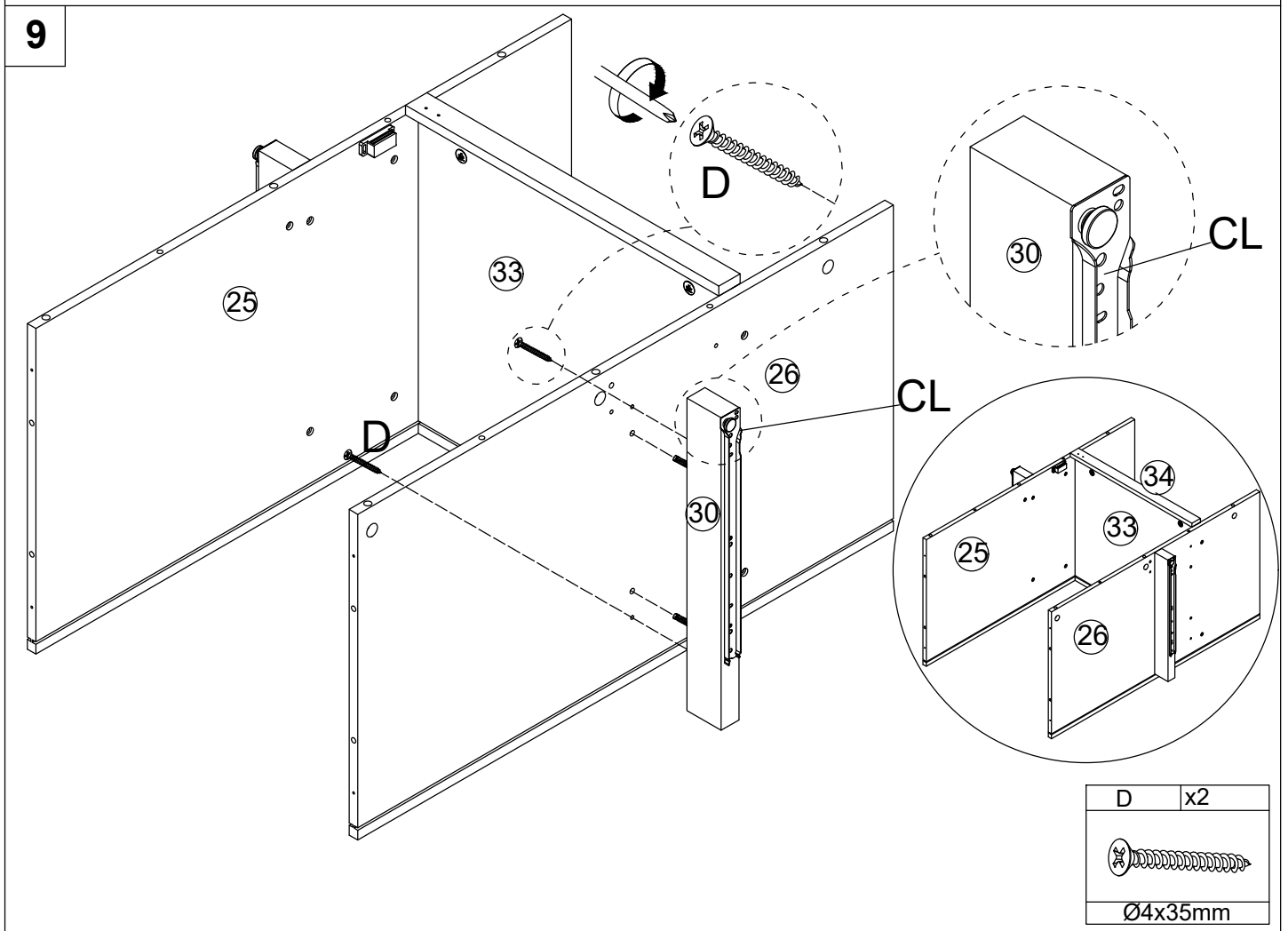
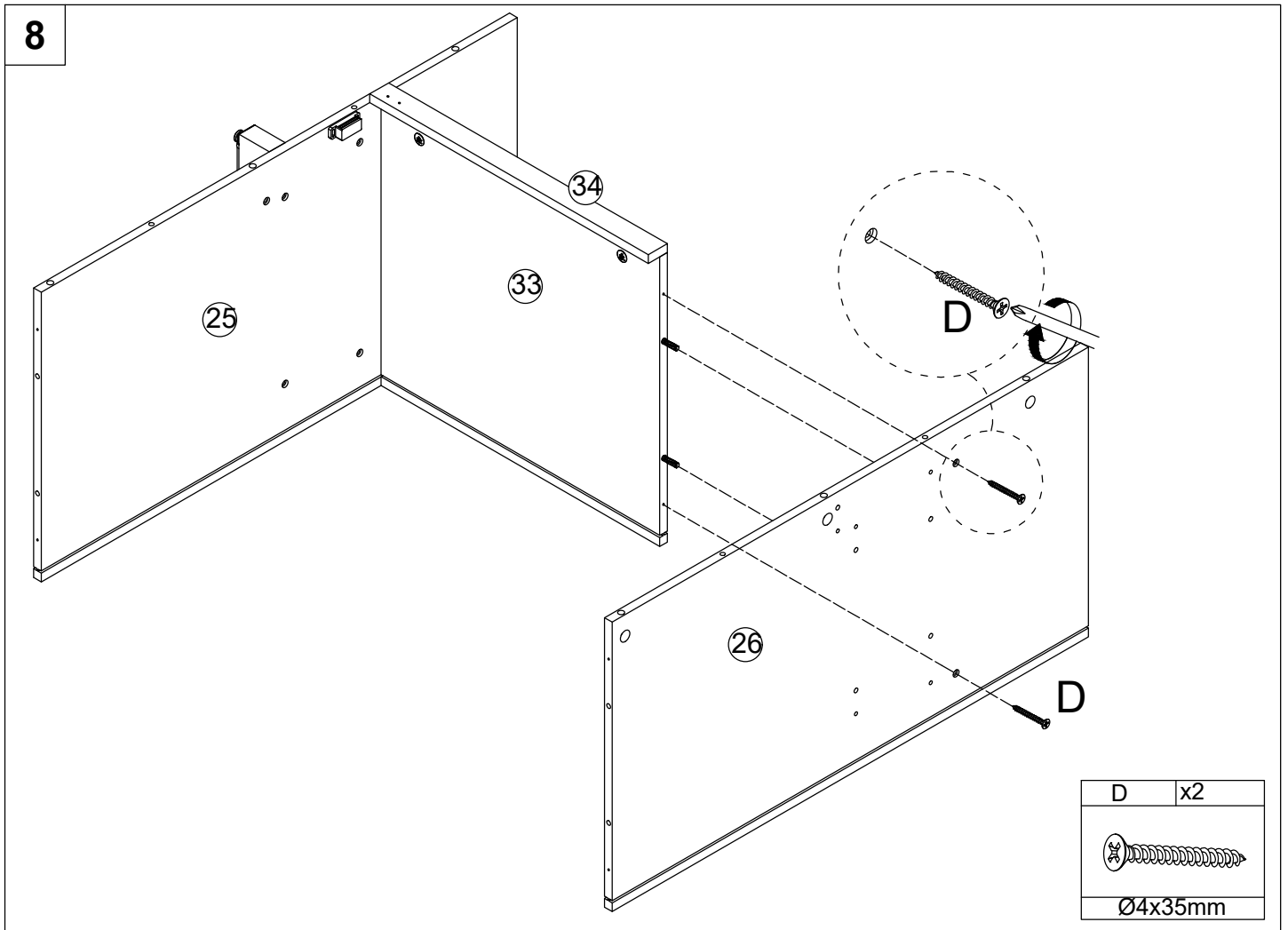


D	x2
Ø4x35mm	

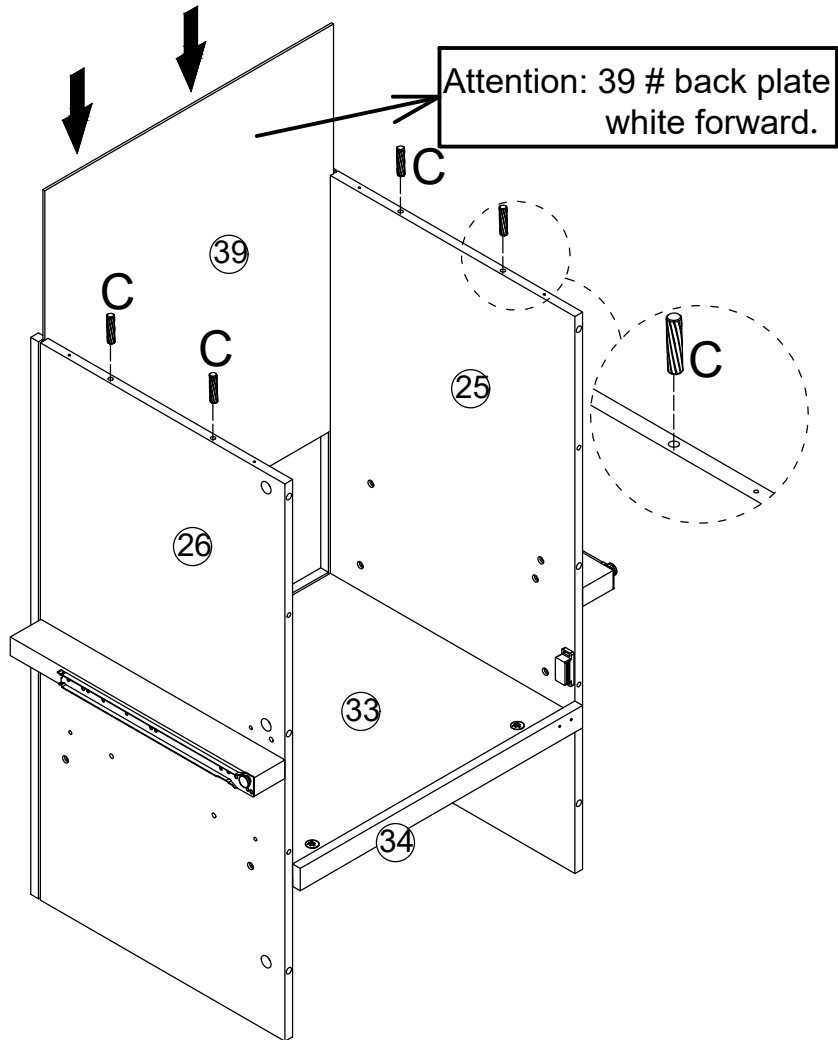
7



D	x2
Ø4x35mm	




10

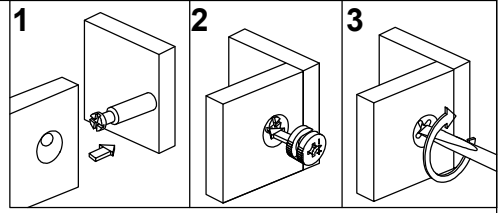
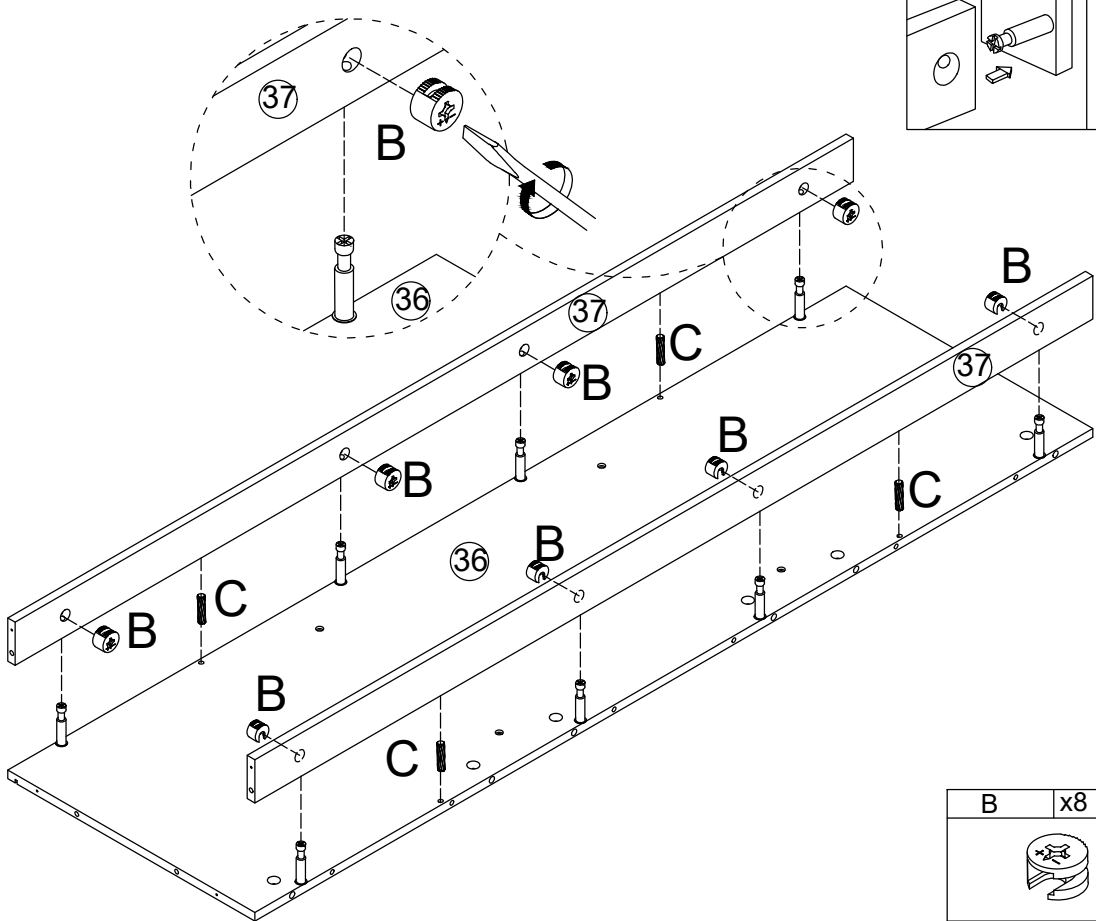



Attention: 39 # back plate white forward.




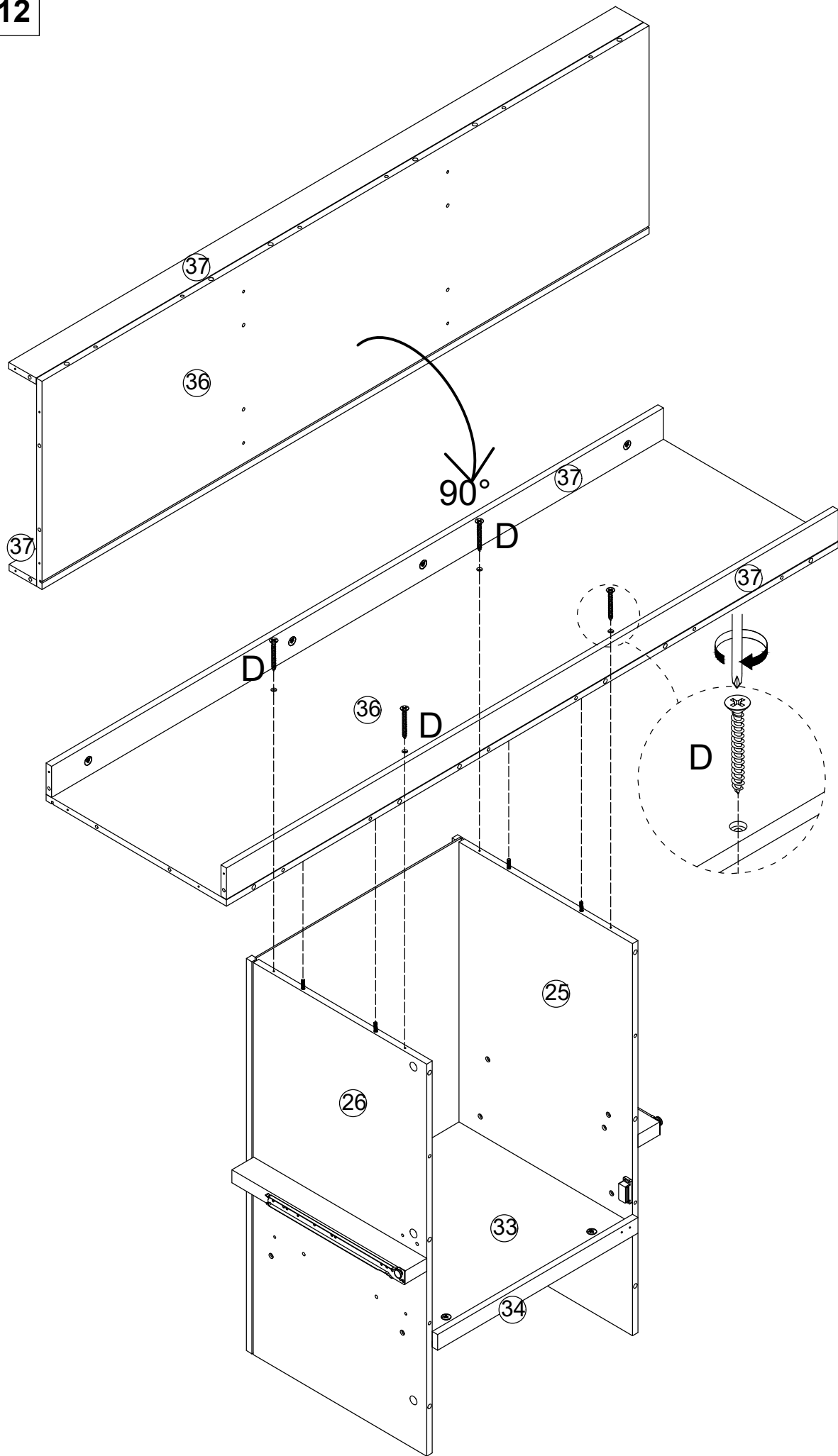
C	x4
	
Ø6x30mm	

11



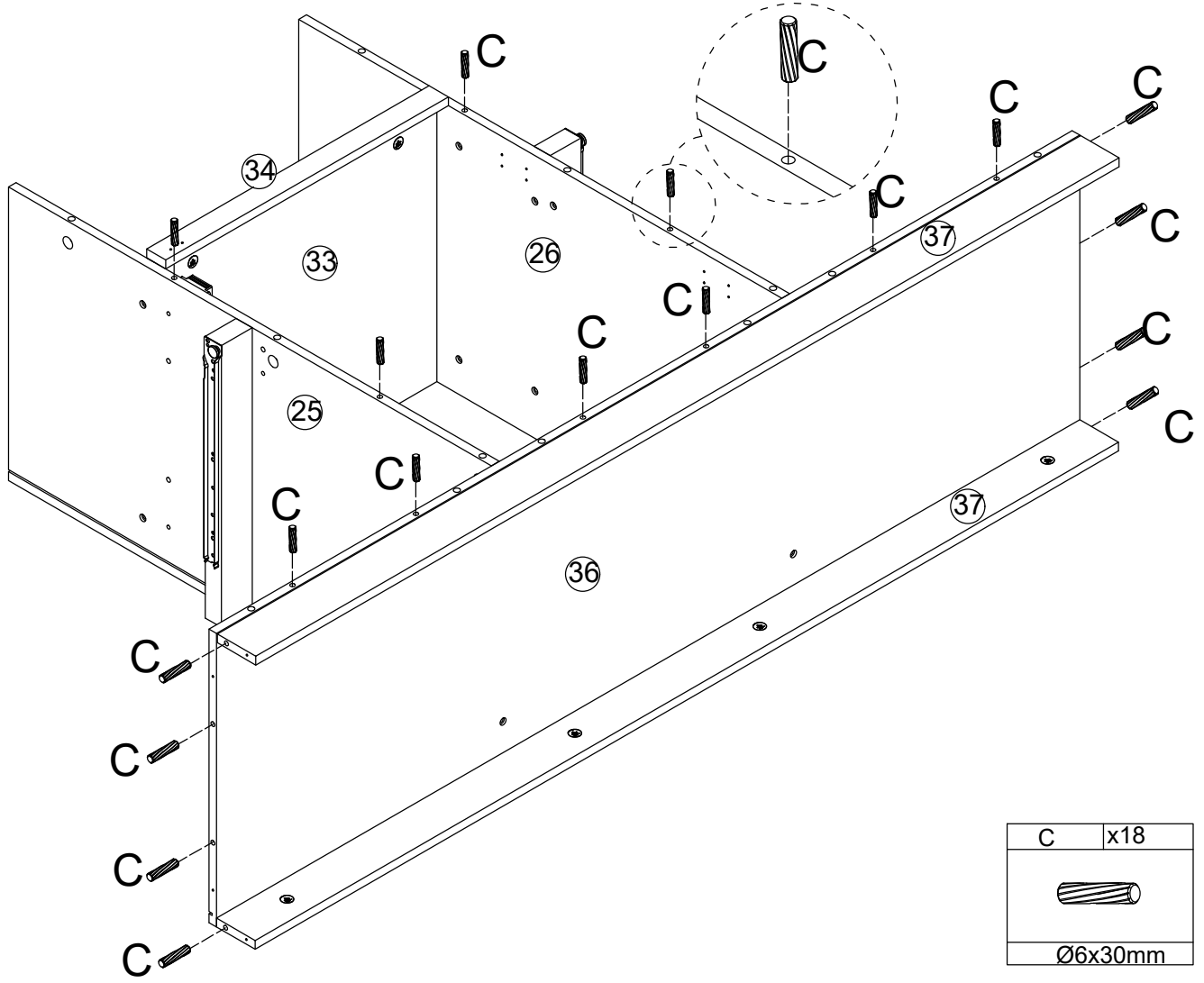
B	x8
	
Ø15x10mm	


C	x4
	
Ø6x30mm	



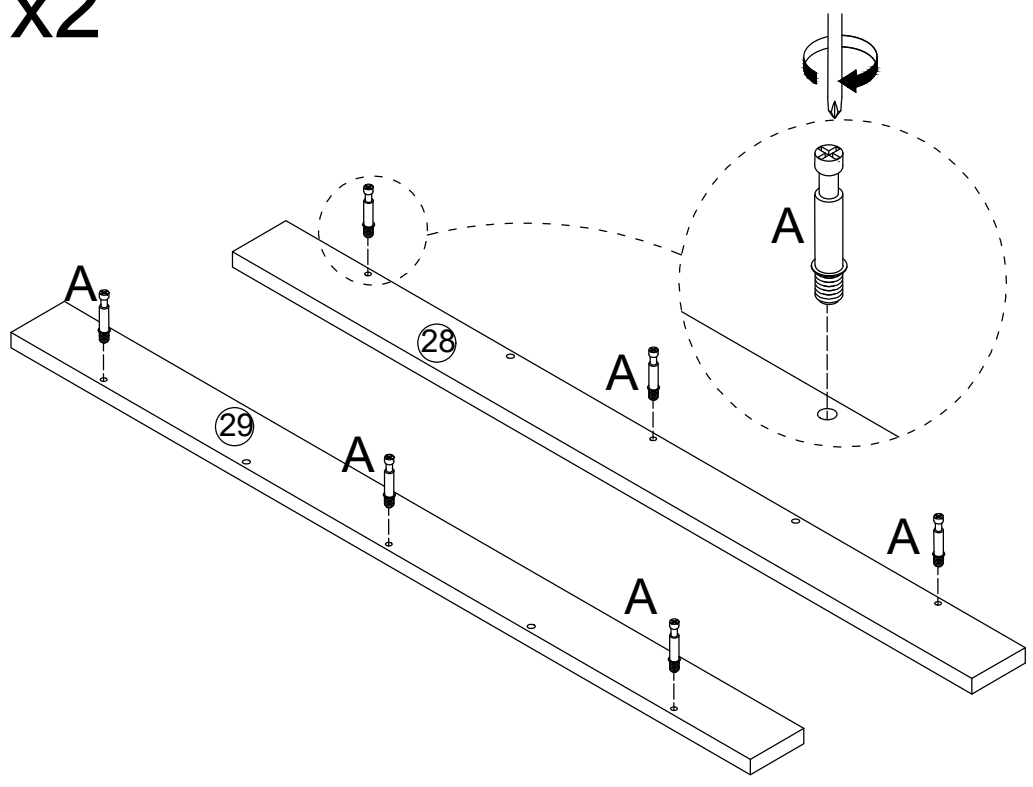
D	x4
Ø4x35mm	

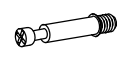
13



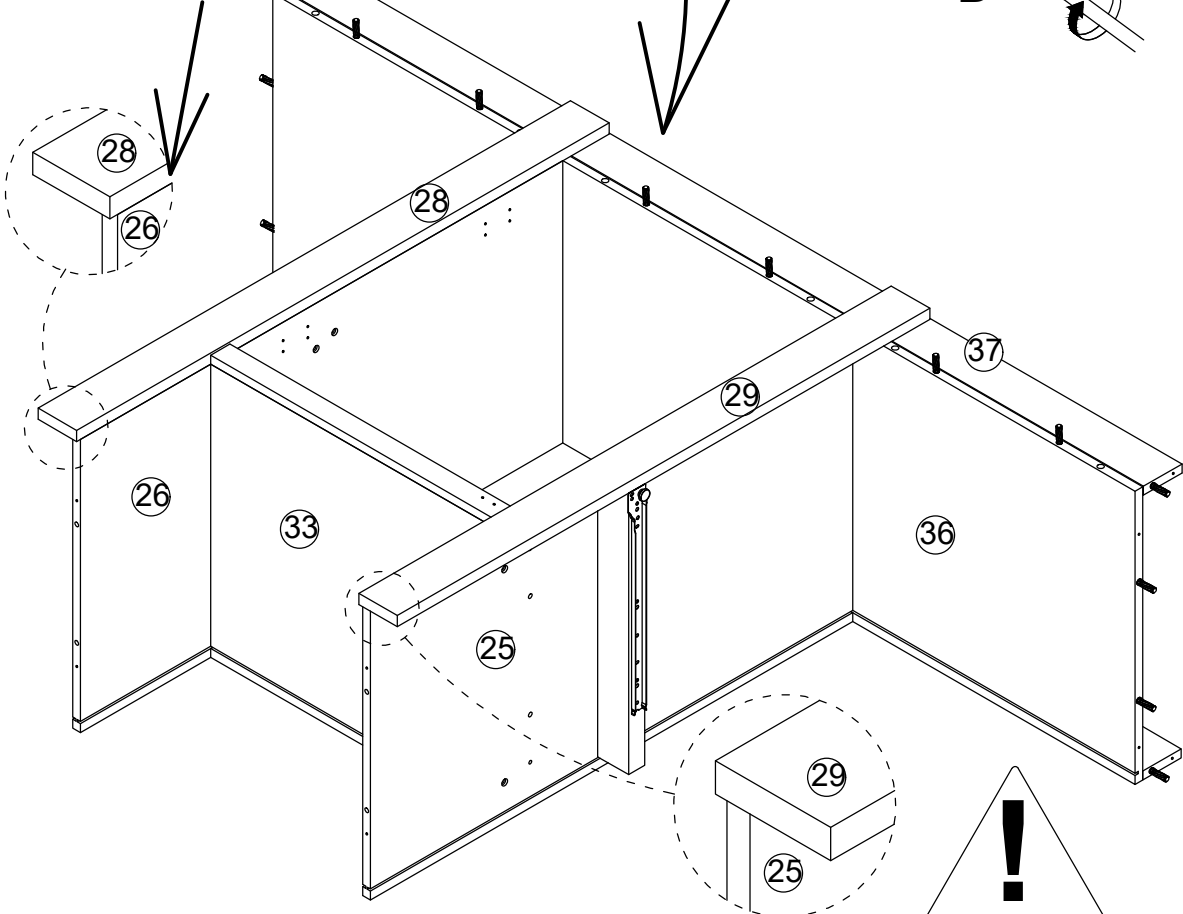
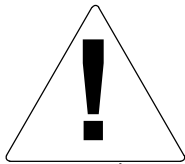
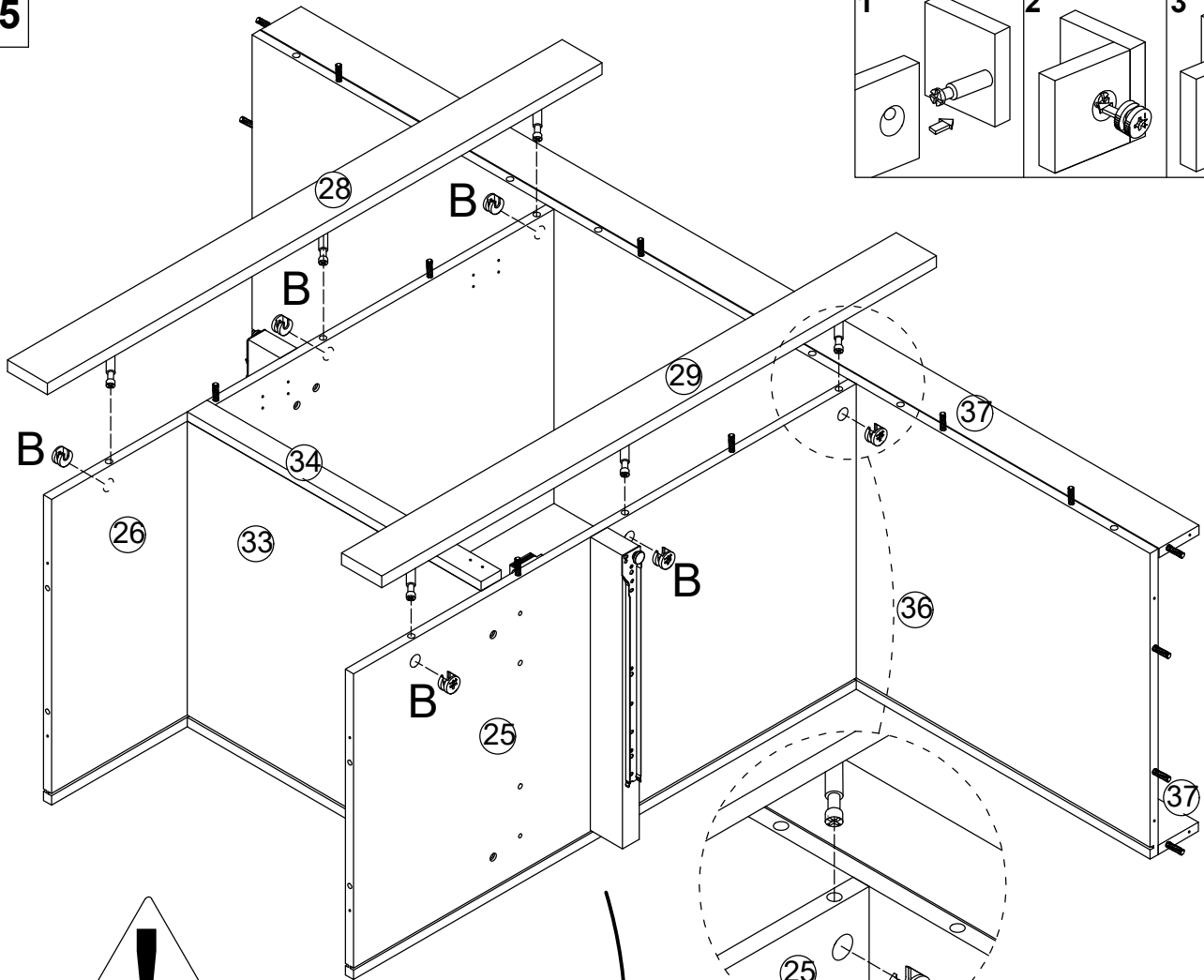
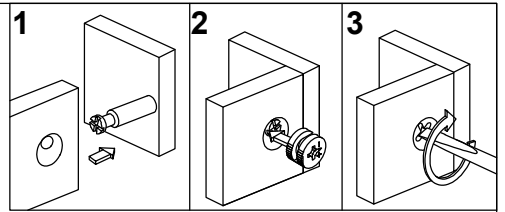
C	x18
	
Ø6x30mm	

14 x2



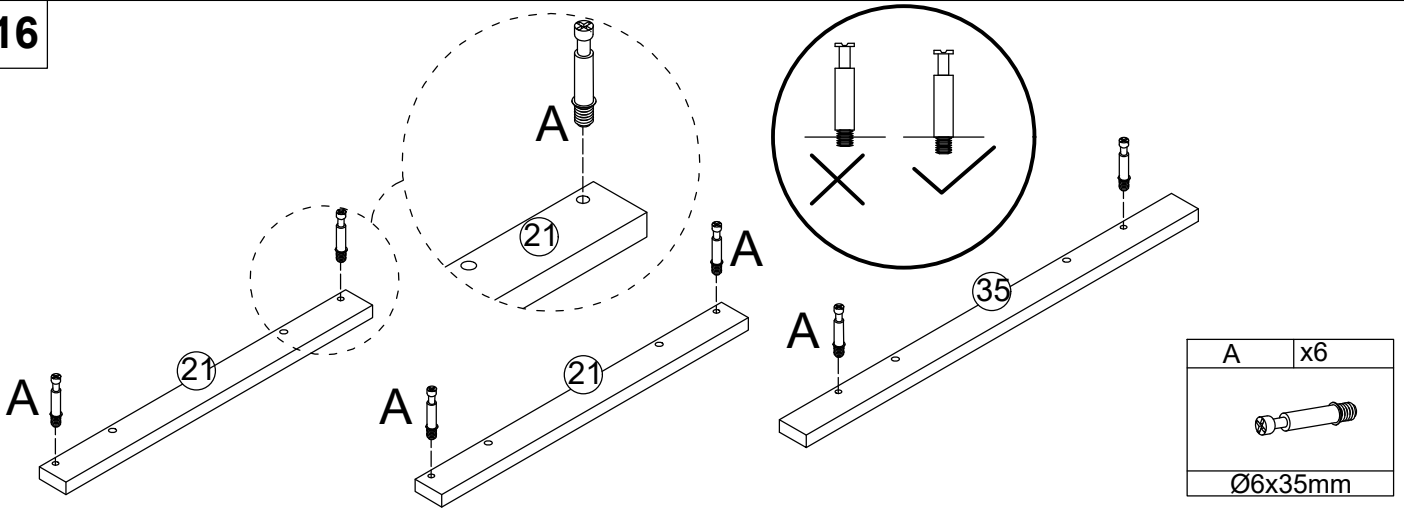
A	x12
	
Ø6x35mm	

15

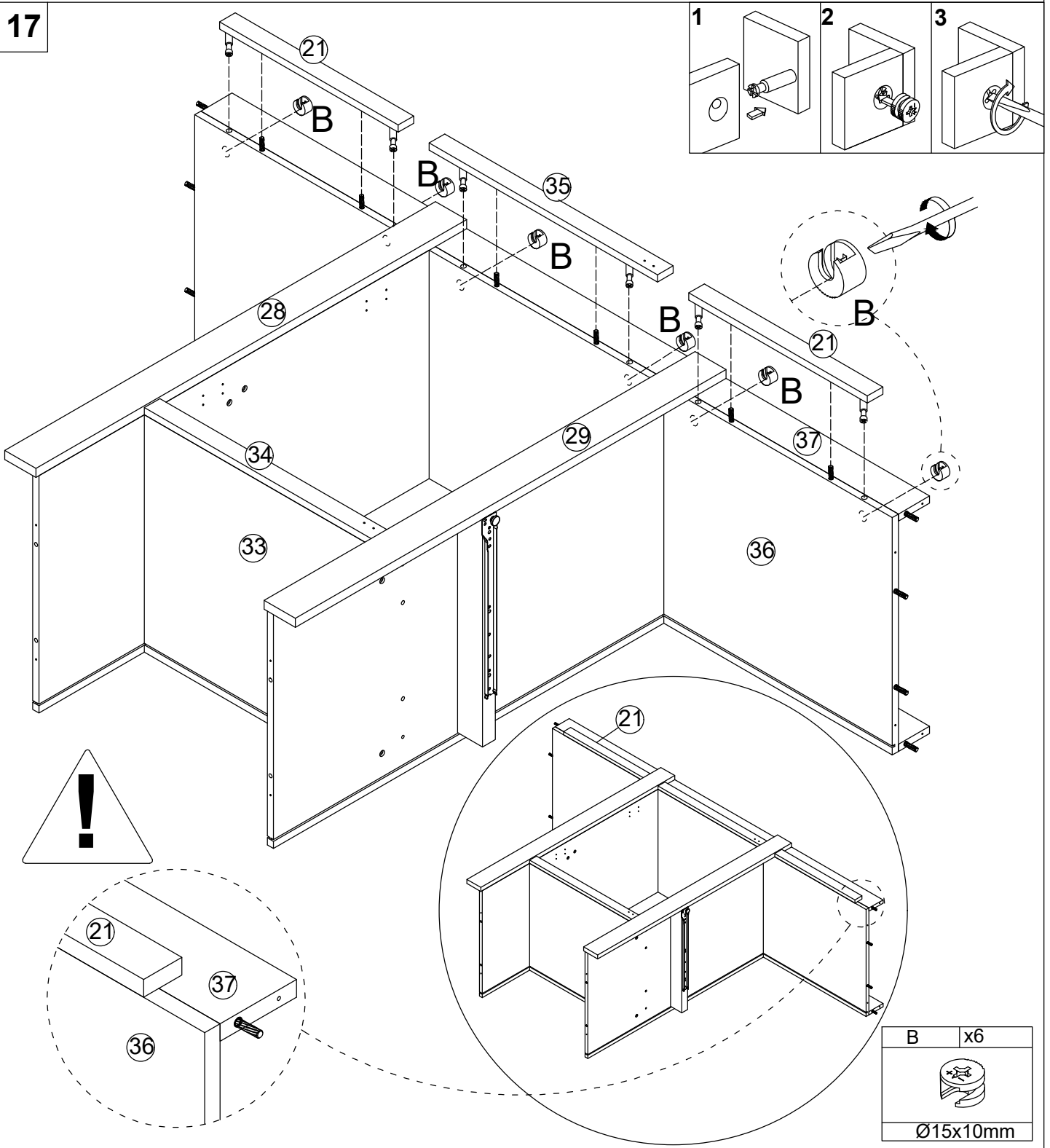


B	x6
Ø15x10mm	

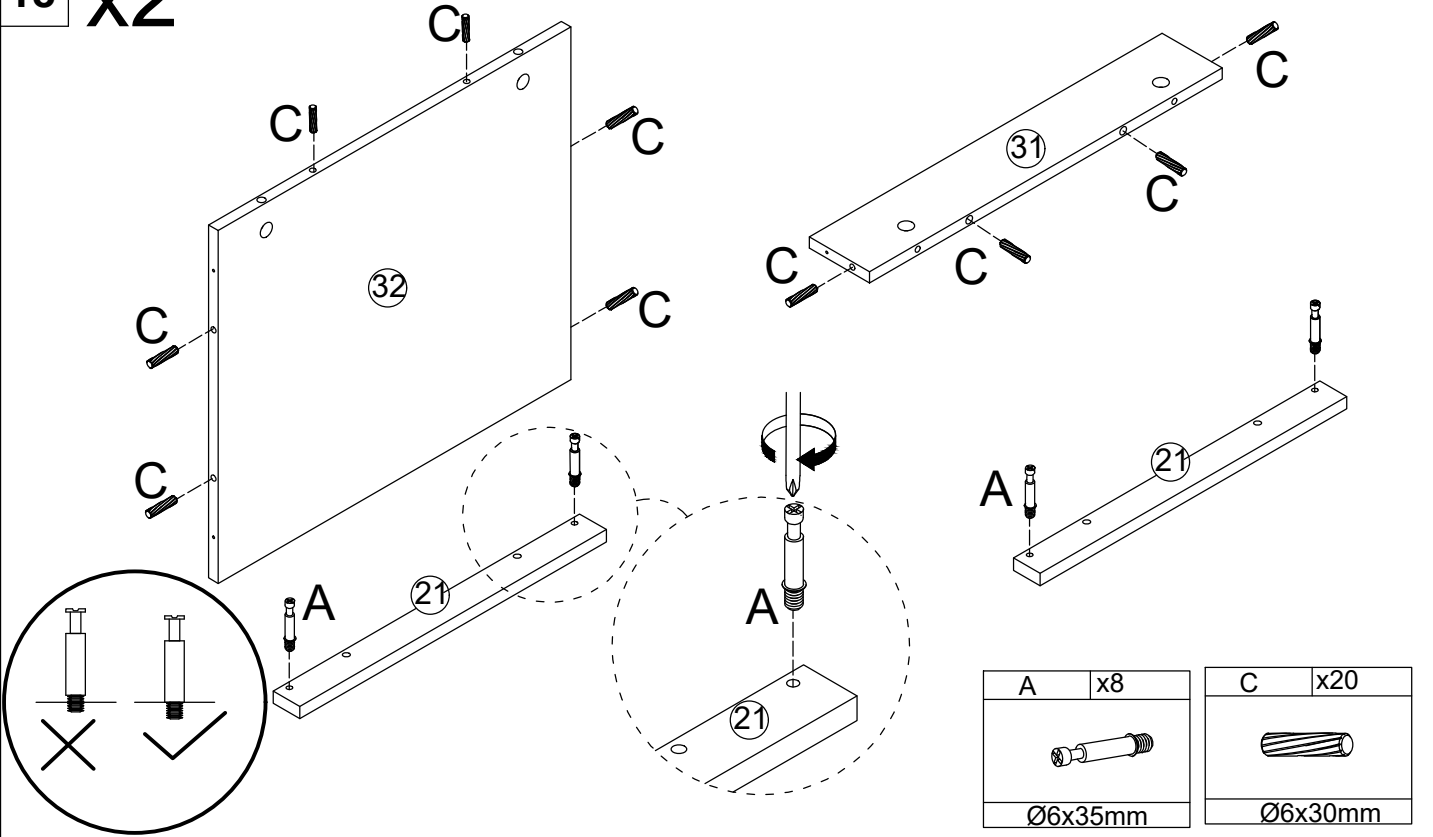
16



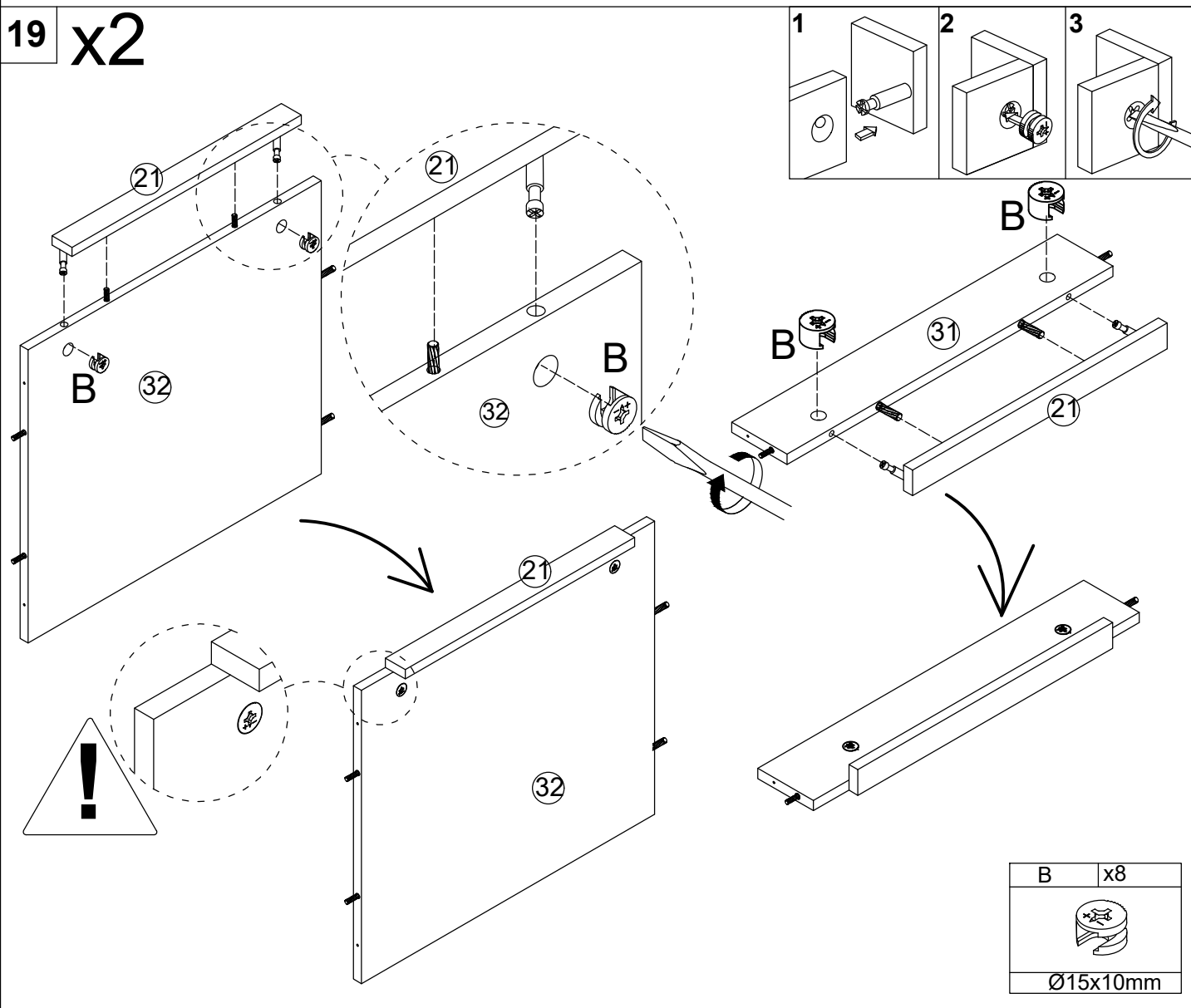
17



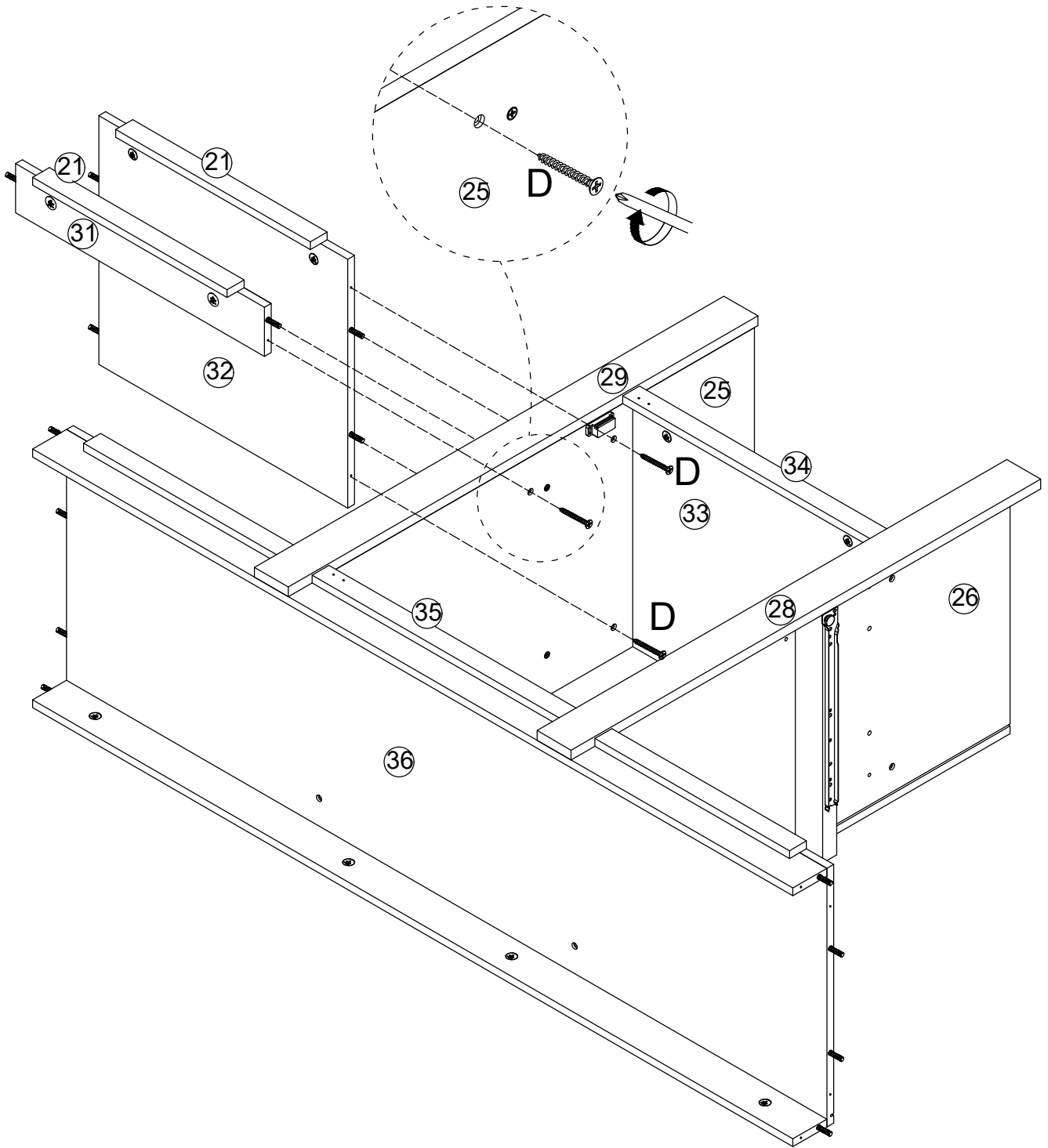
18 x2



19 x2

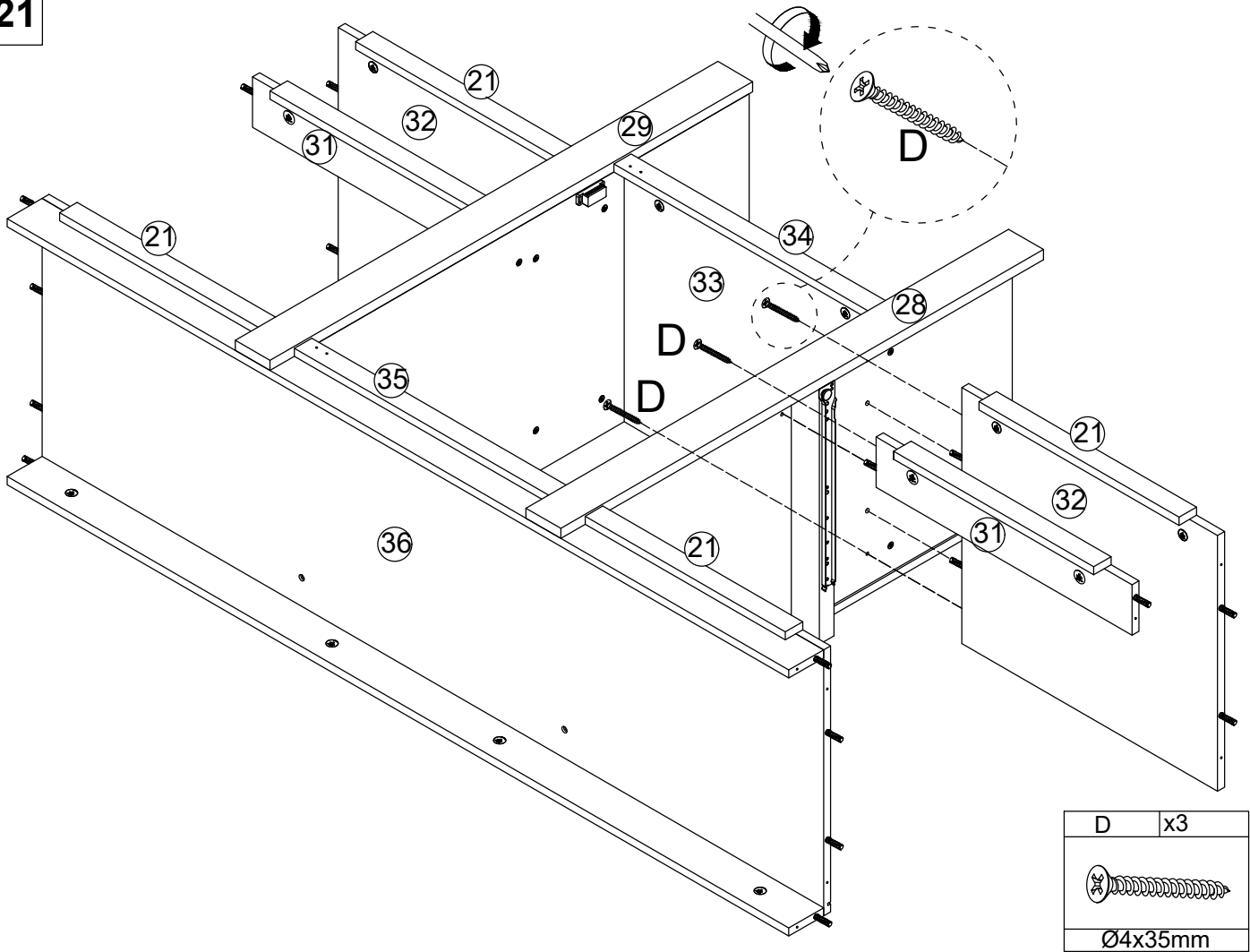







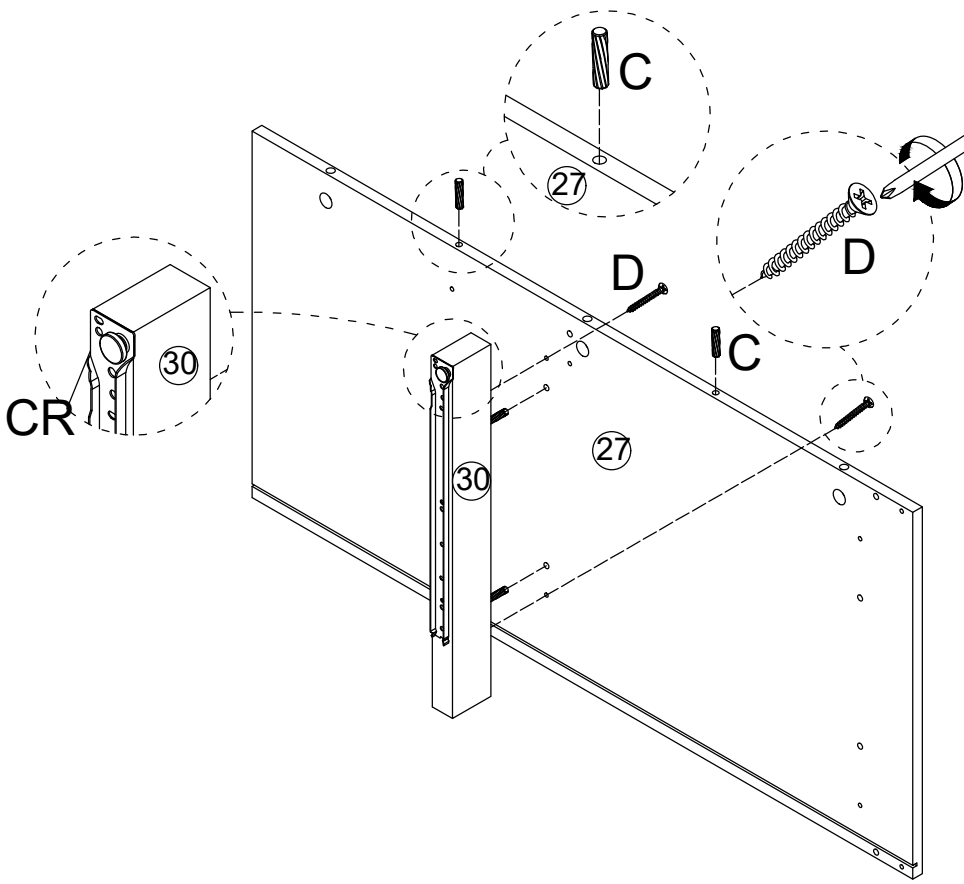
D	x3
Ø4x35mm	


21




D	x3
	
$\text{Ø}4 \times 35 \text{mm}$	

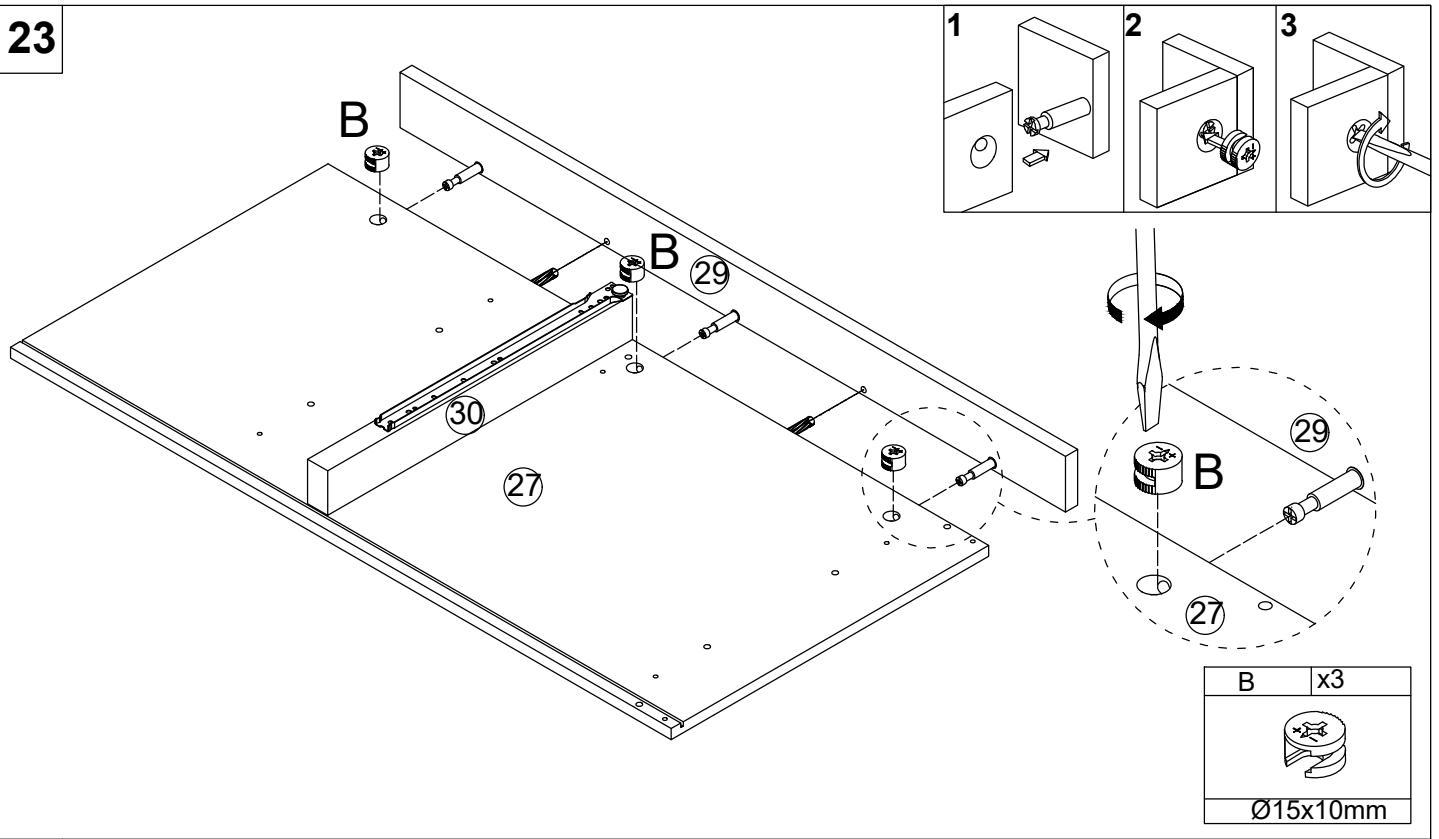
22



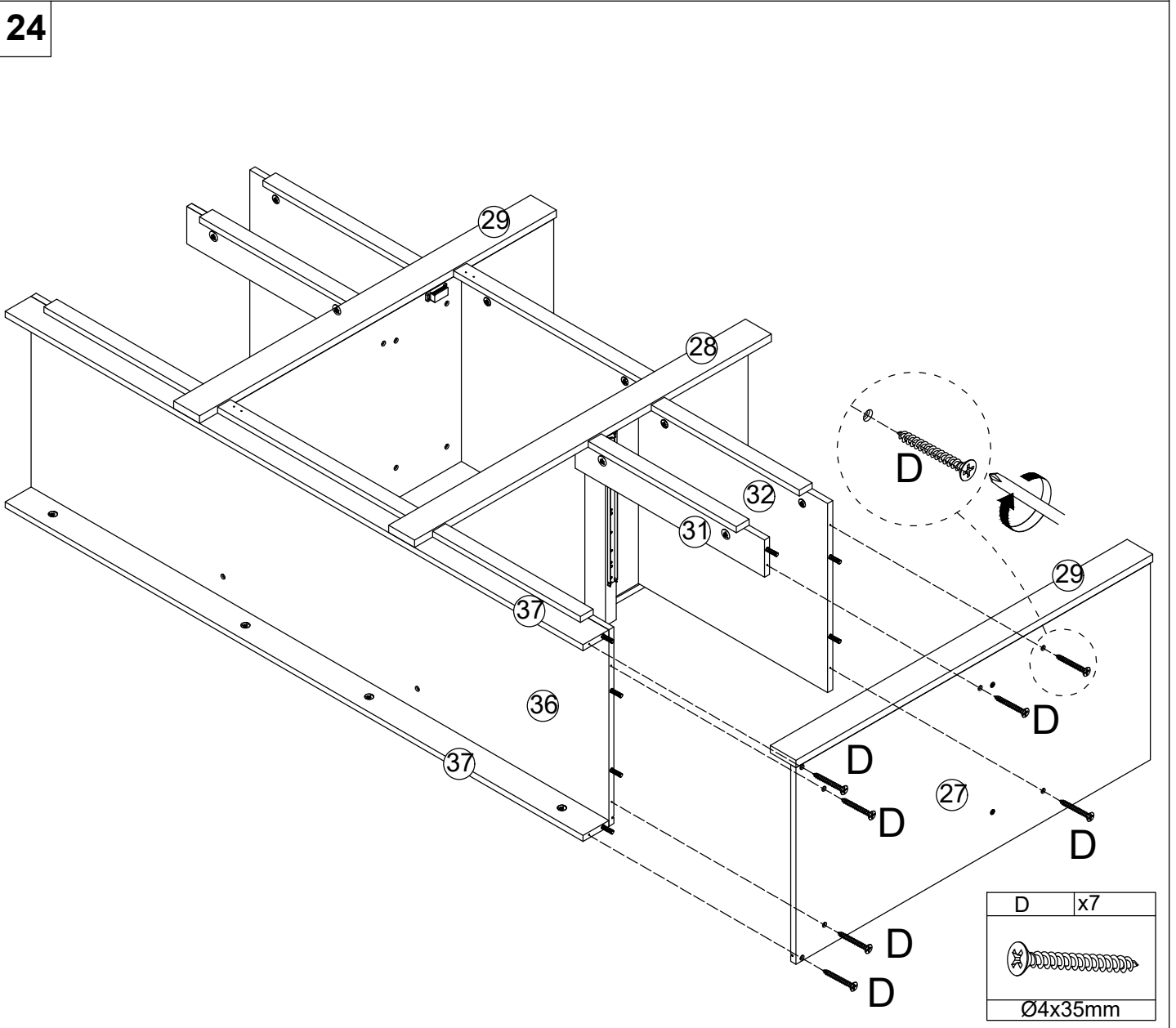
C	x2
	
$\text{Ø}6 \times 30 \text{mm}$	

D	x2
	
$\text{Ø}4 \times 35 \text{mm}$	

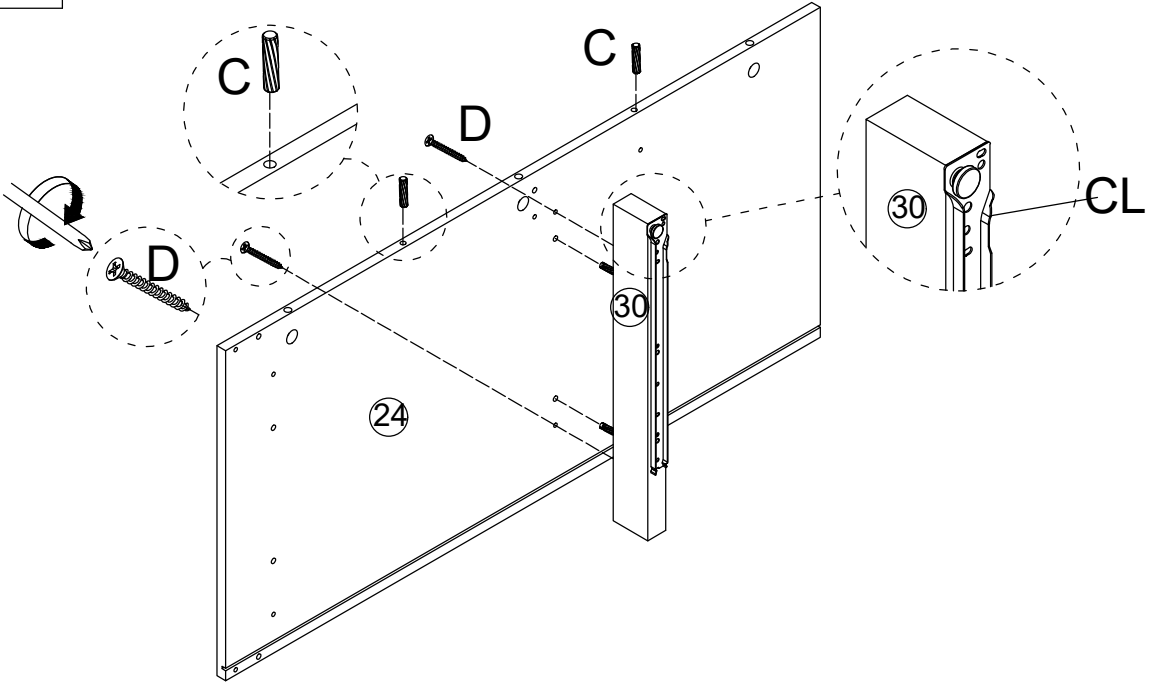
23




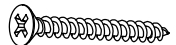
24



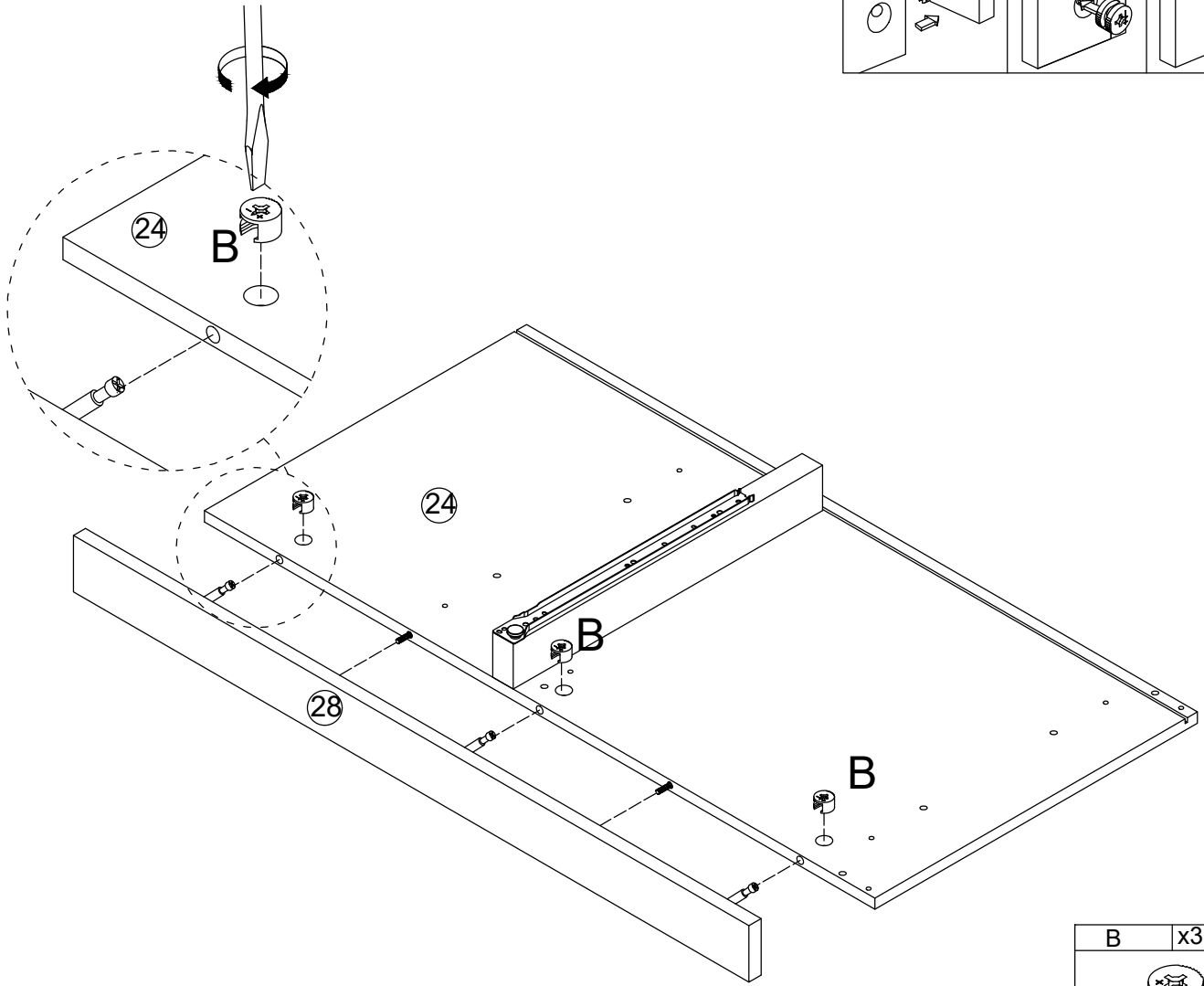
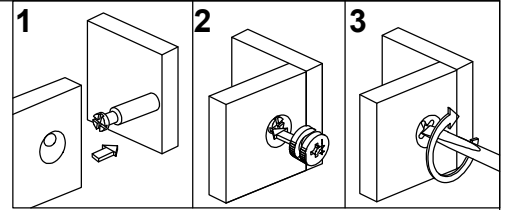
25




C	x2
	
Ø6x30mm	

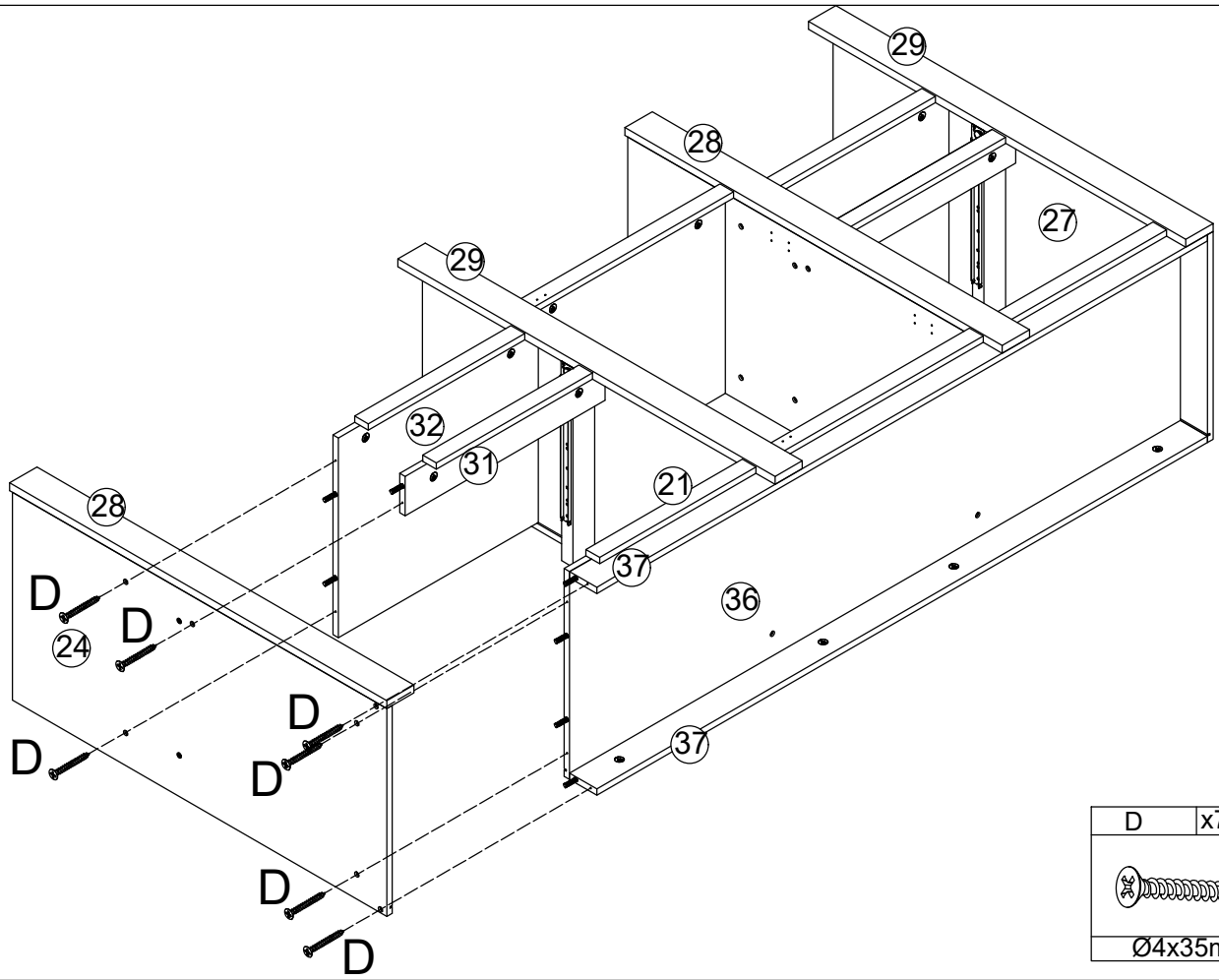
D	x2
	
Ø4x35mm	


26



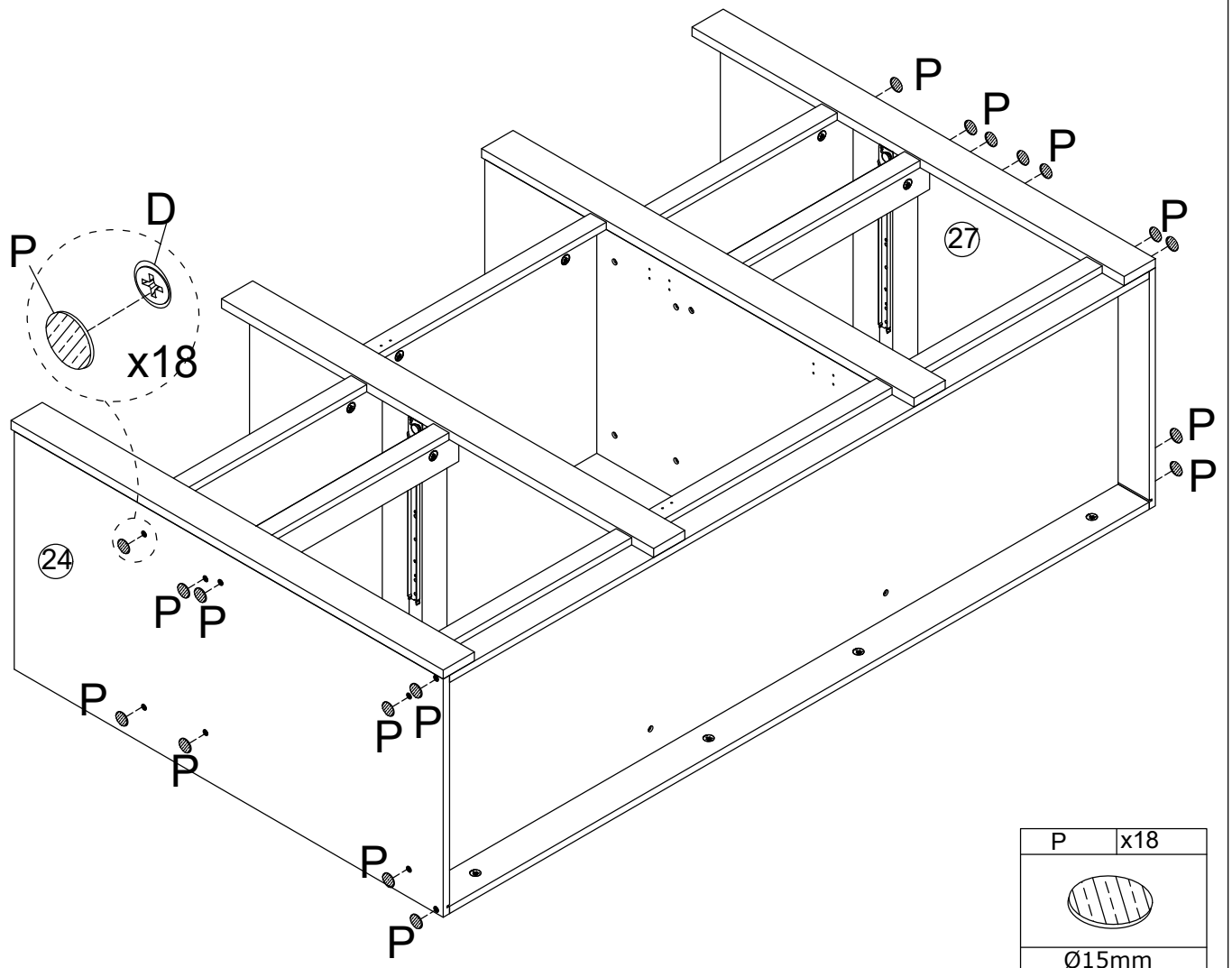
B	x3
	
Ø15x10mm	


27



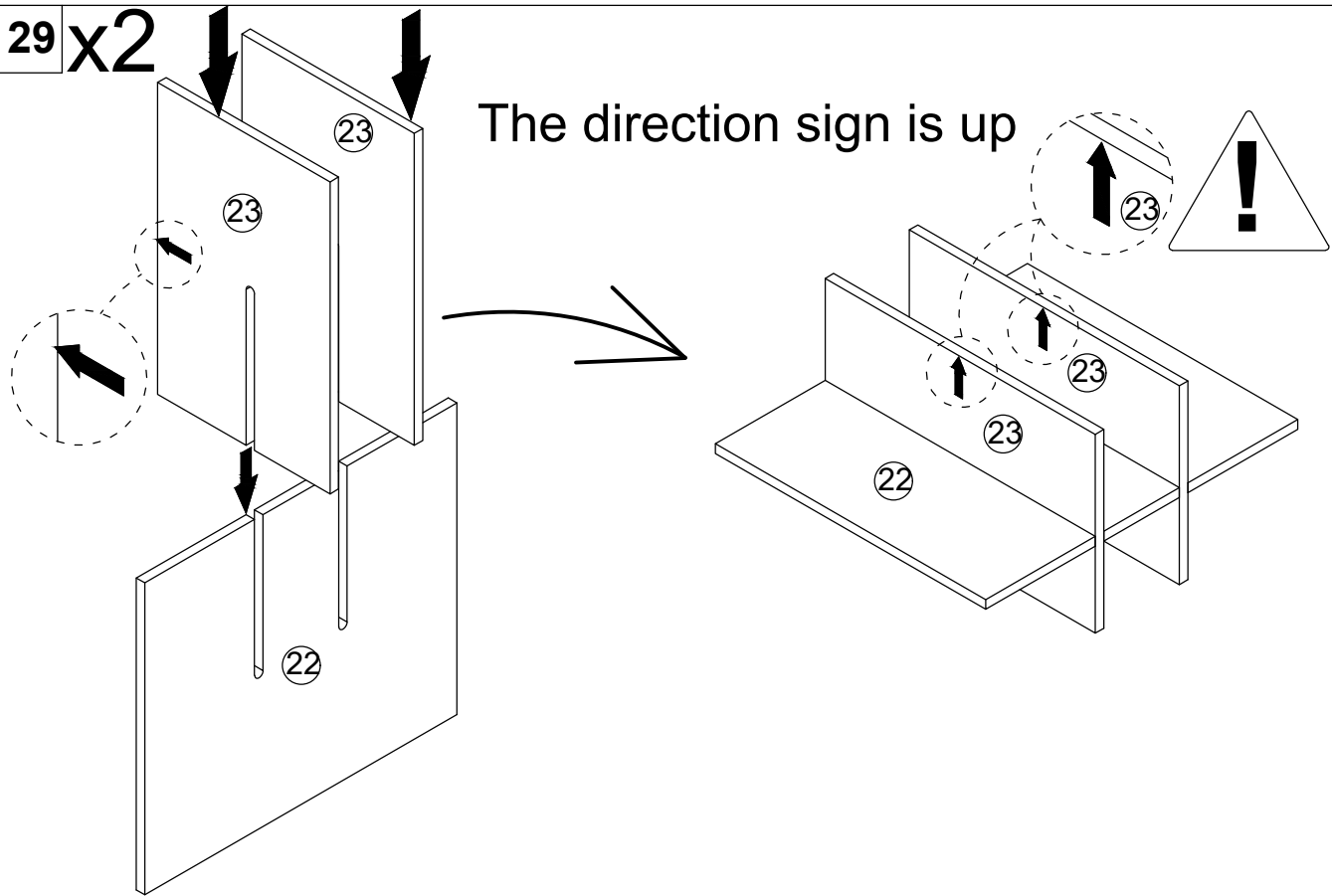
D	x7
	
Ø4x35mm	

28

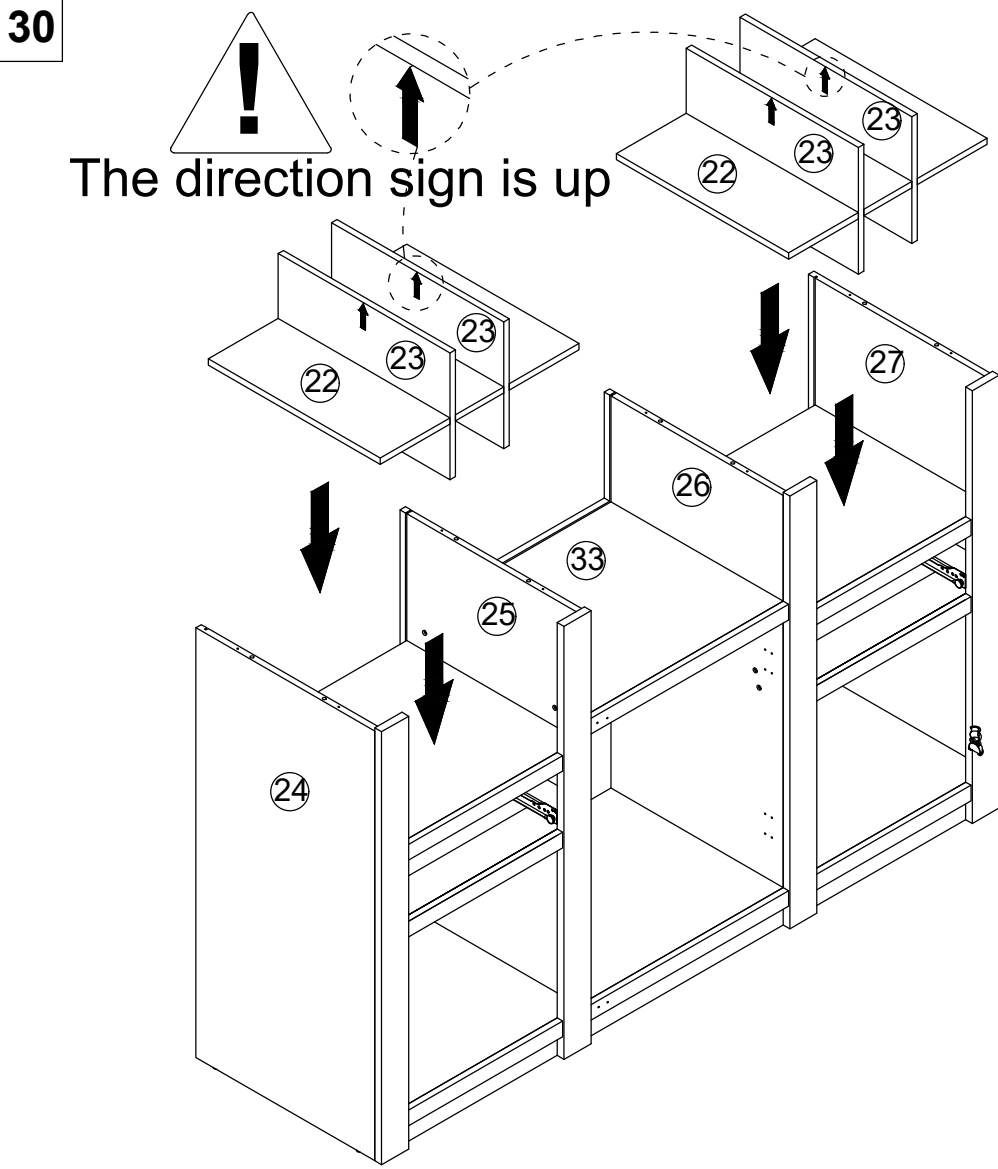


P	x18
	
Ø15mm	

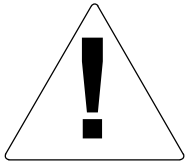
29 x2



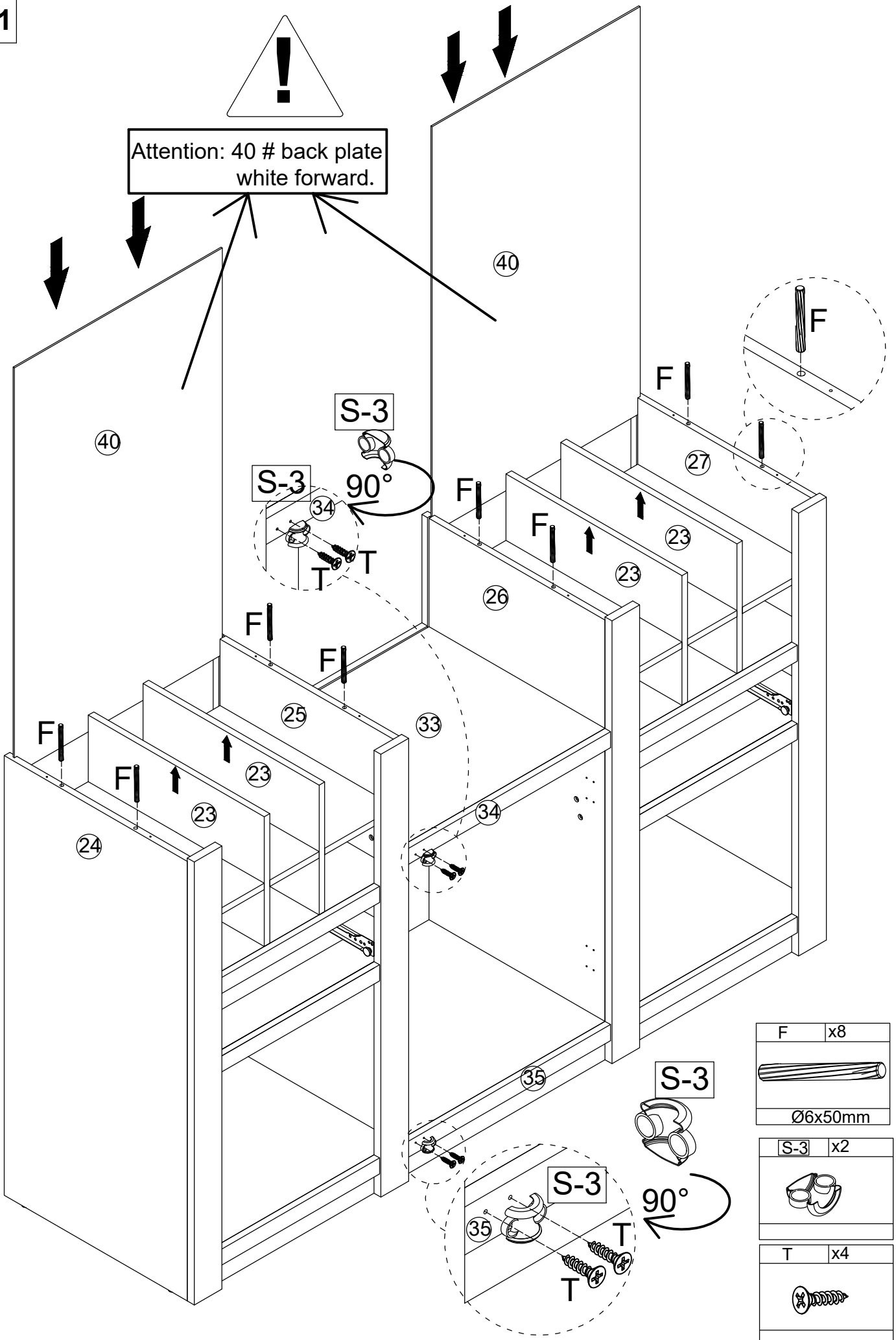
30





31




Attention: 40 # back plate  
white forward.

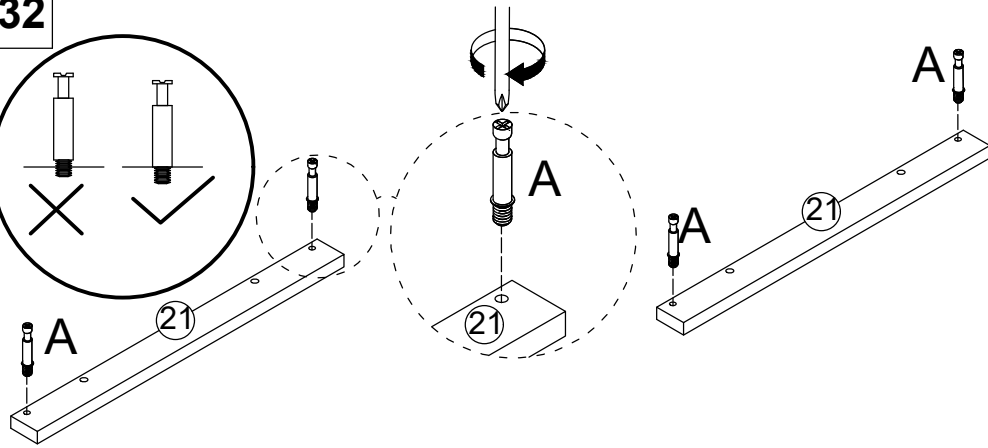
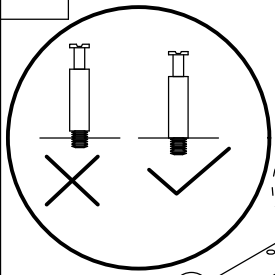


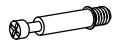
F	x8
	
Ø6x50mm	

S-3	x2
	

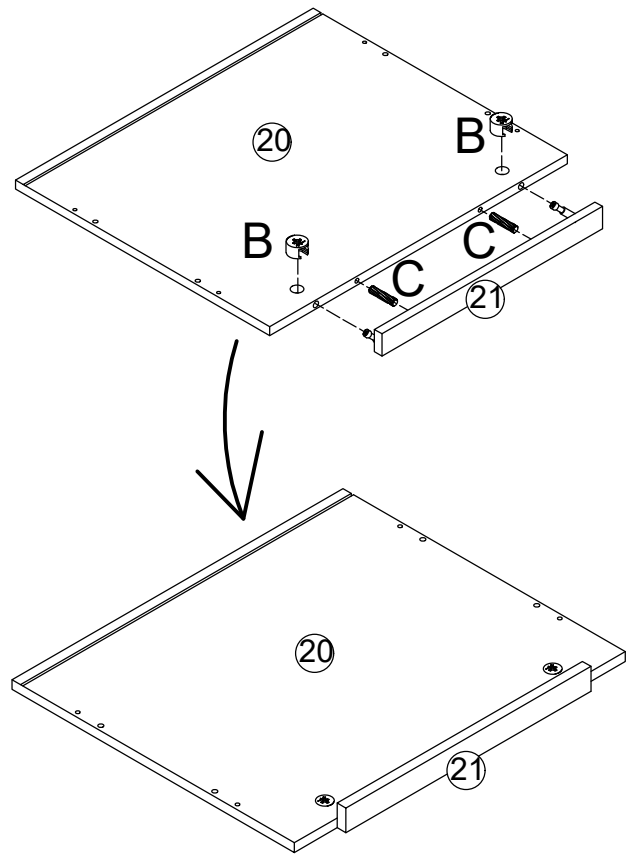
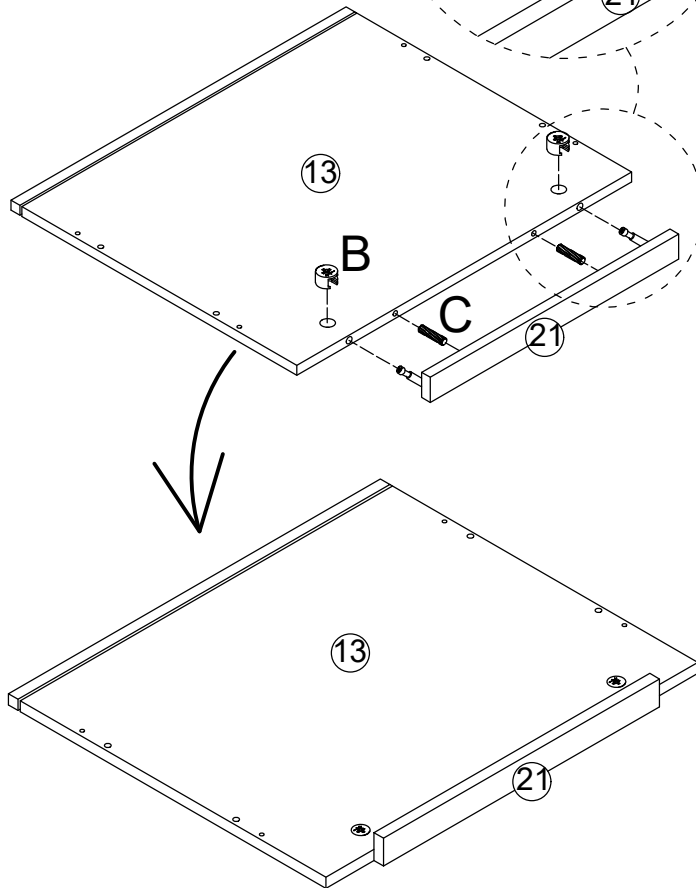
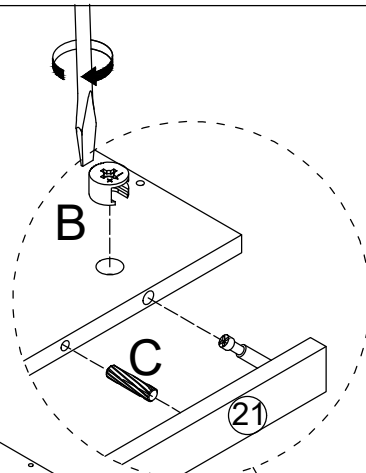
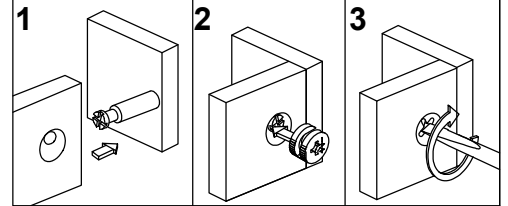
T	x4
	



32



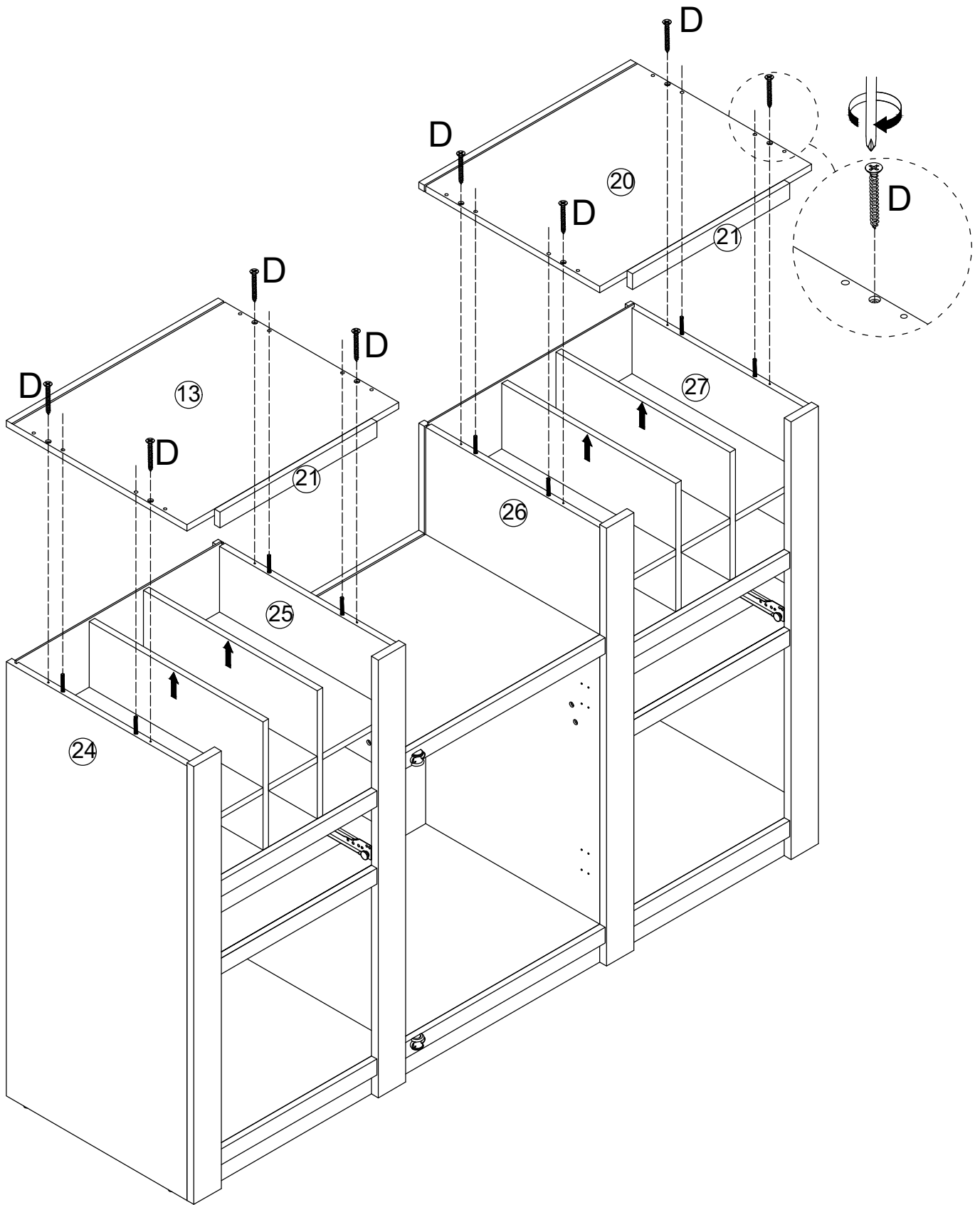
A	x4
	
$\text{\O}6 \times 35 \text{mm}$	


33



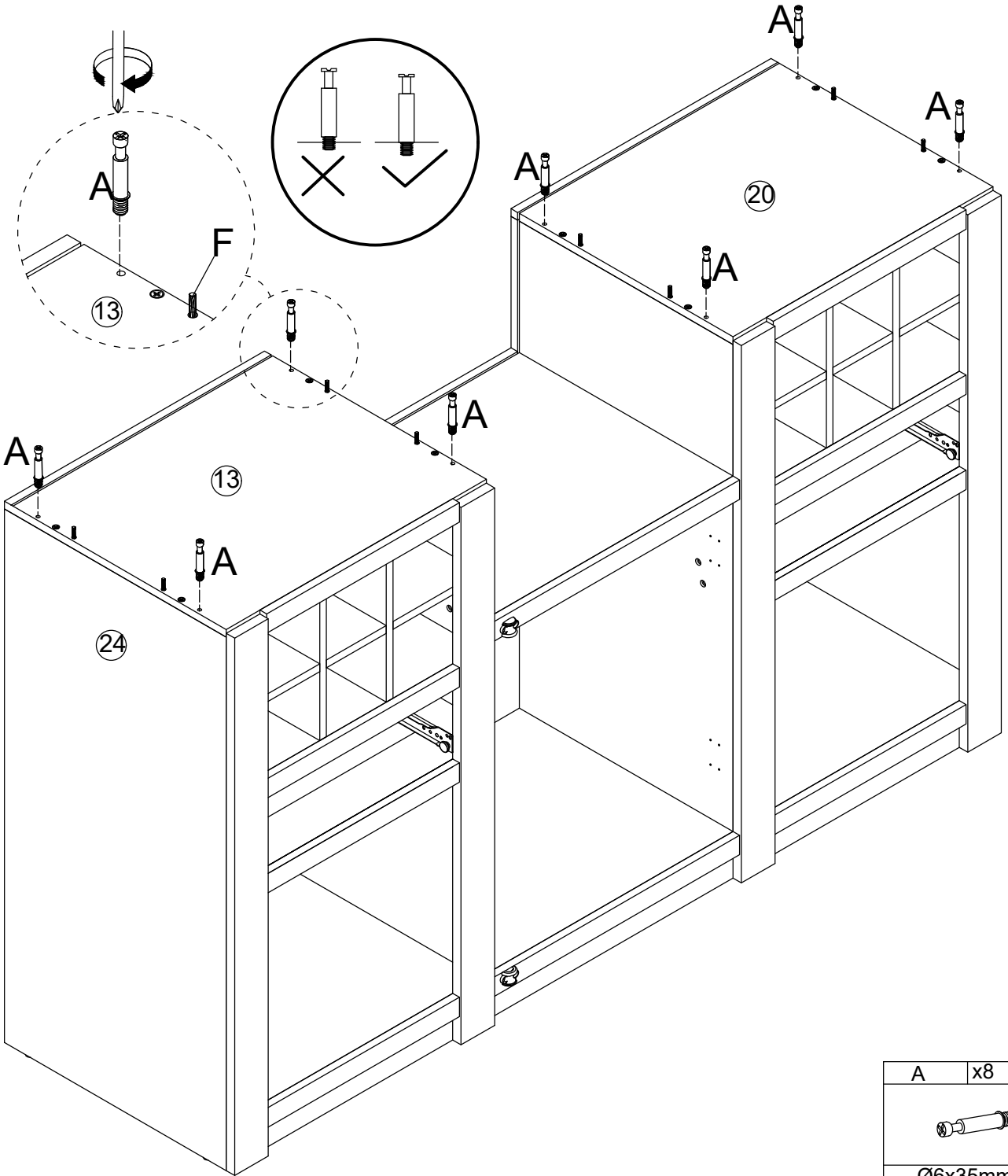
B	x4	C	x4
			
$\text{\O}15 \times 10 \text{mm}$		$\text{\O}6 \times 30 \text{mm}$	



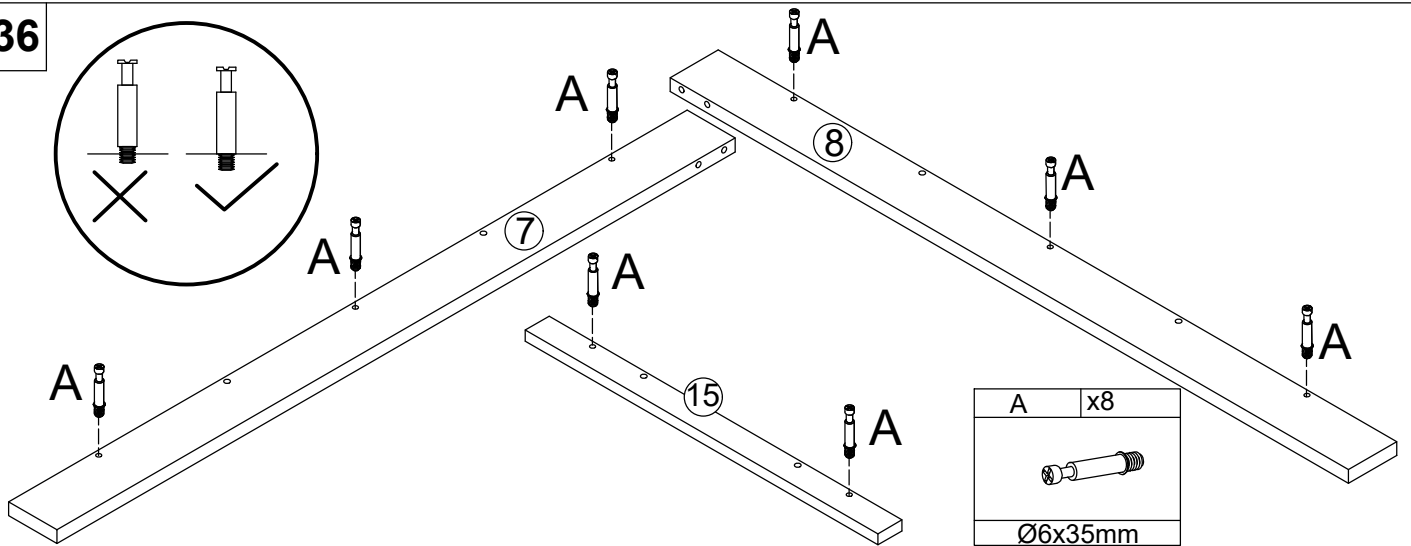


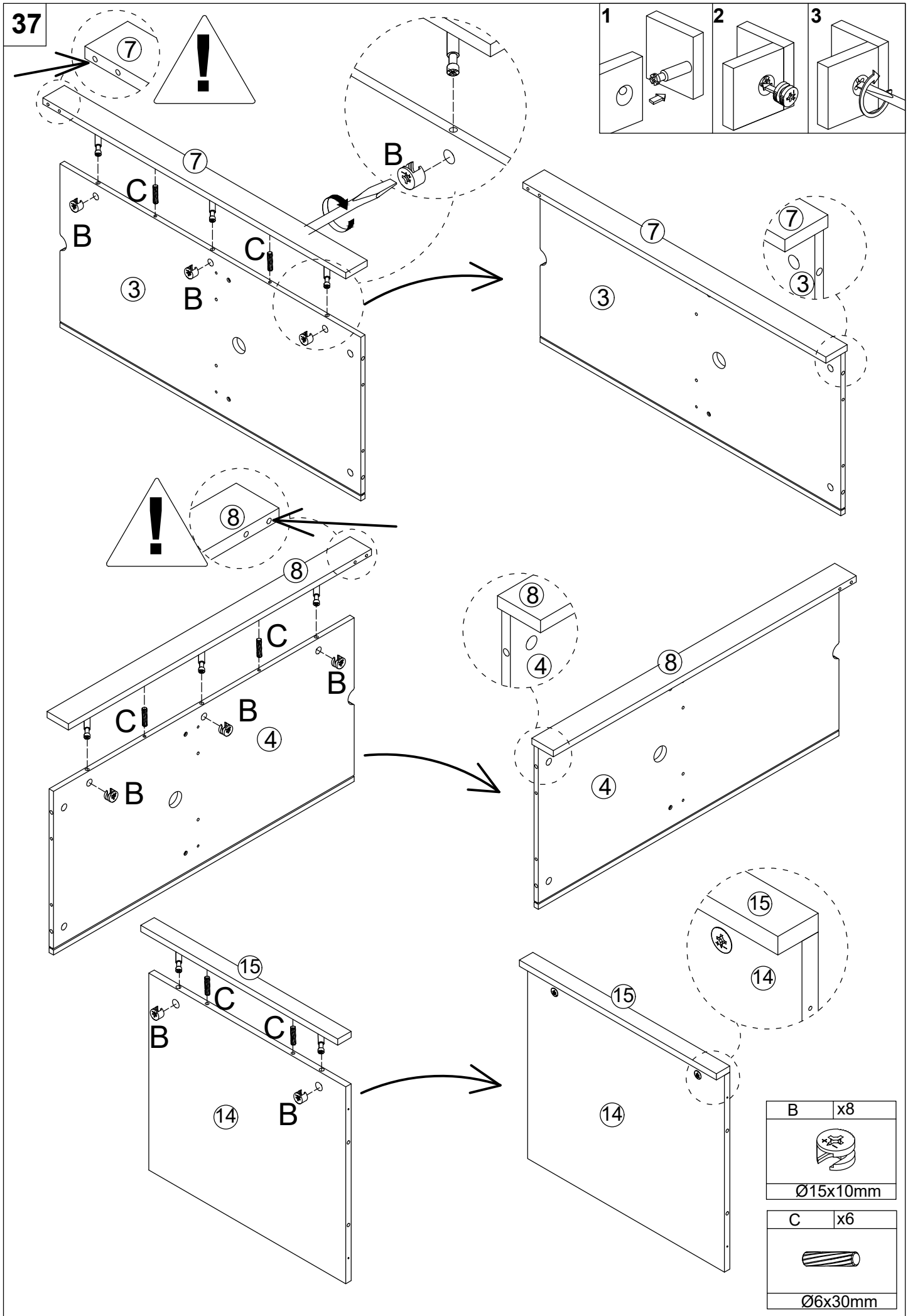
D	x8
	
Ø4x35mm	

35

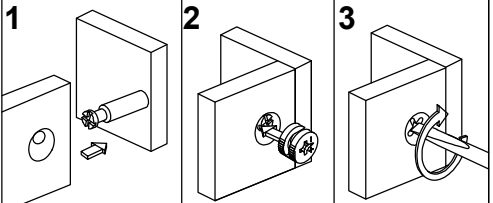




36



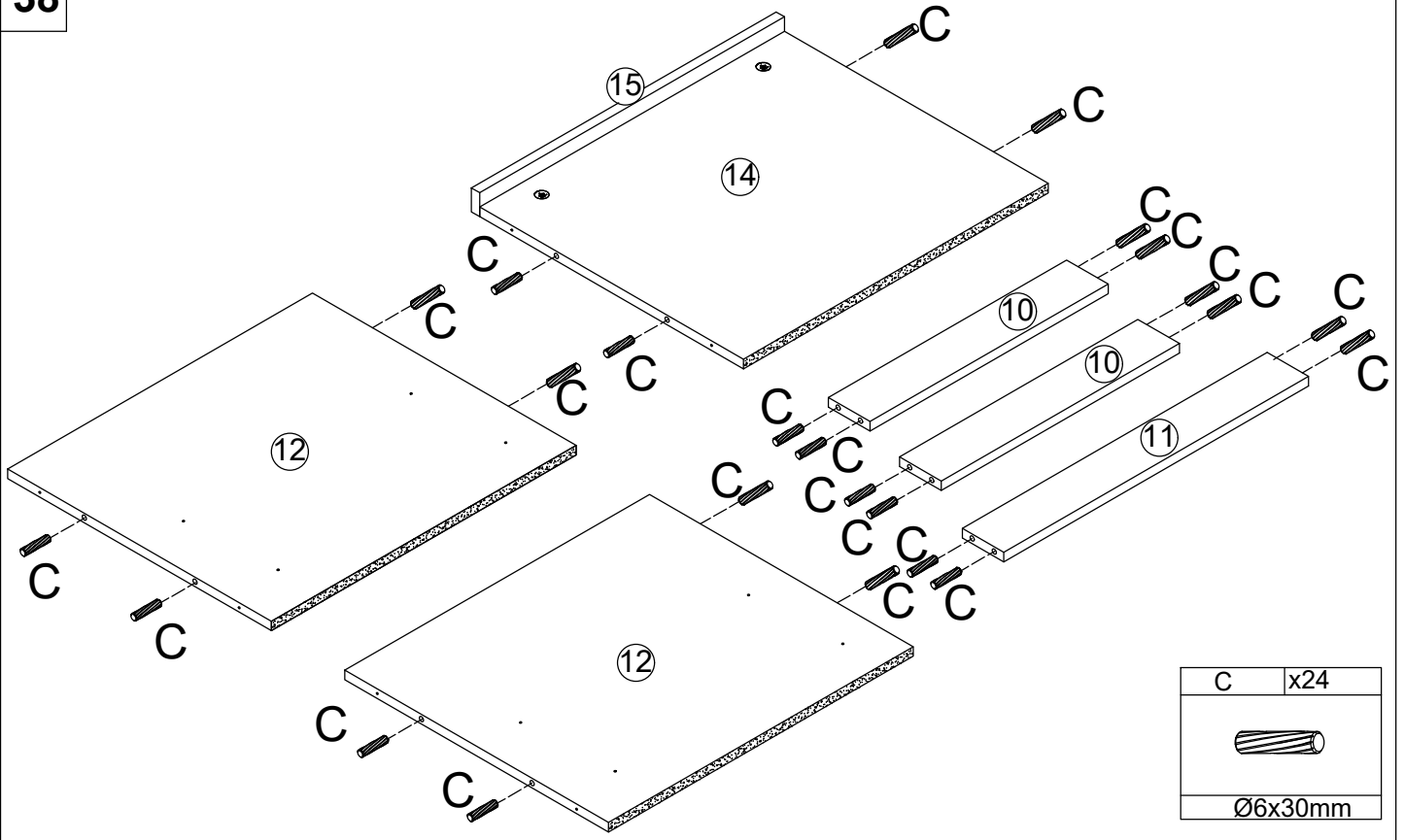


37

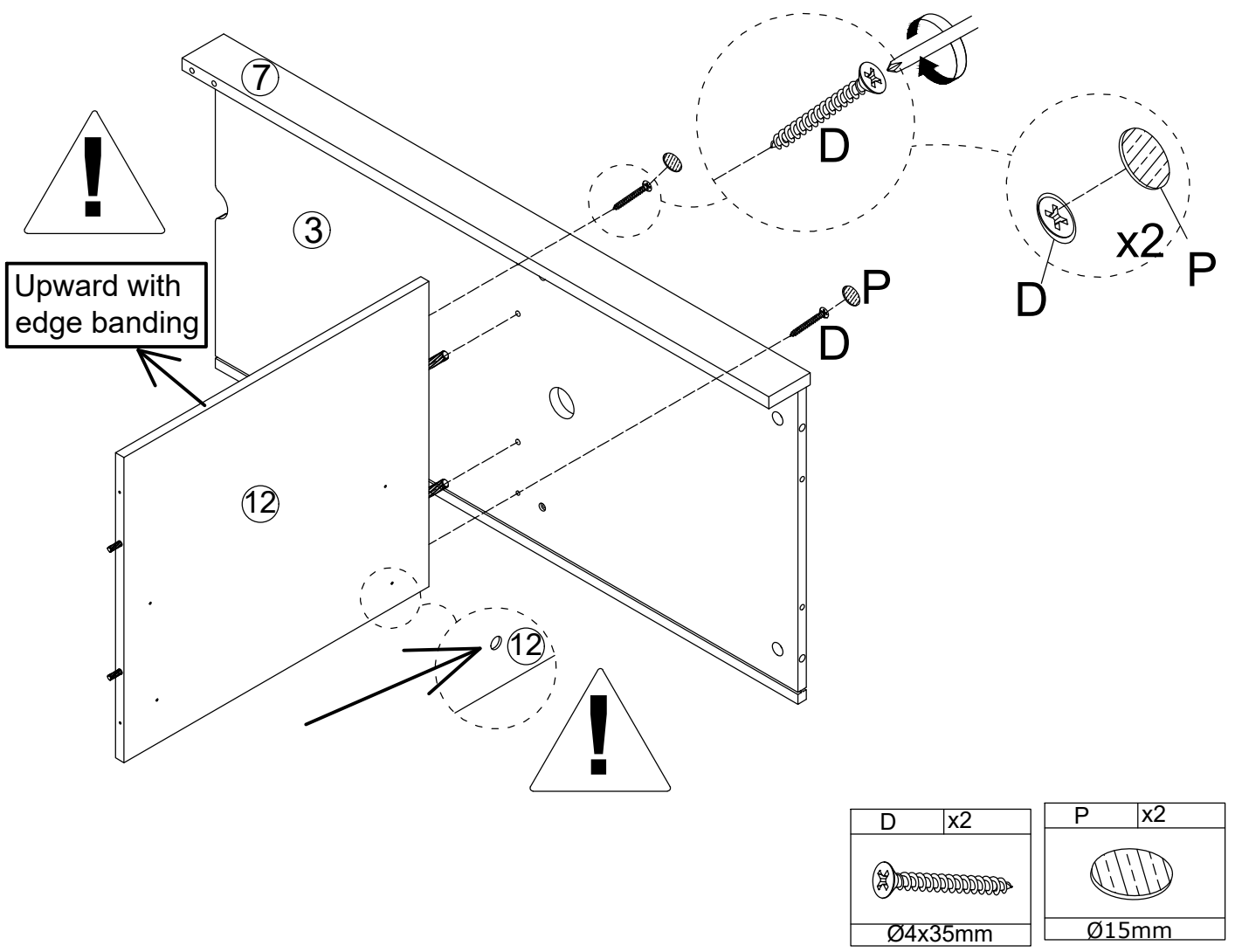


B	x8
 Ø15x10mm	
C	x6
 Ø6x30mm	

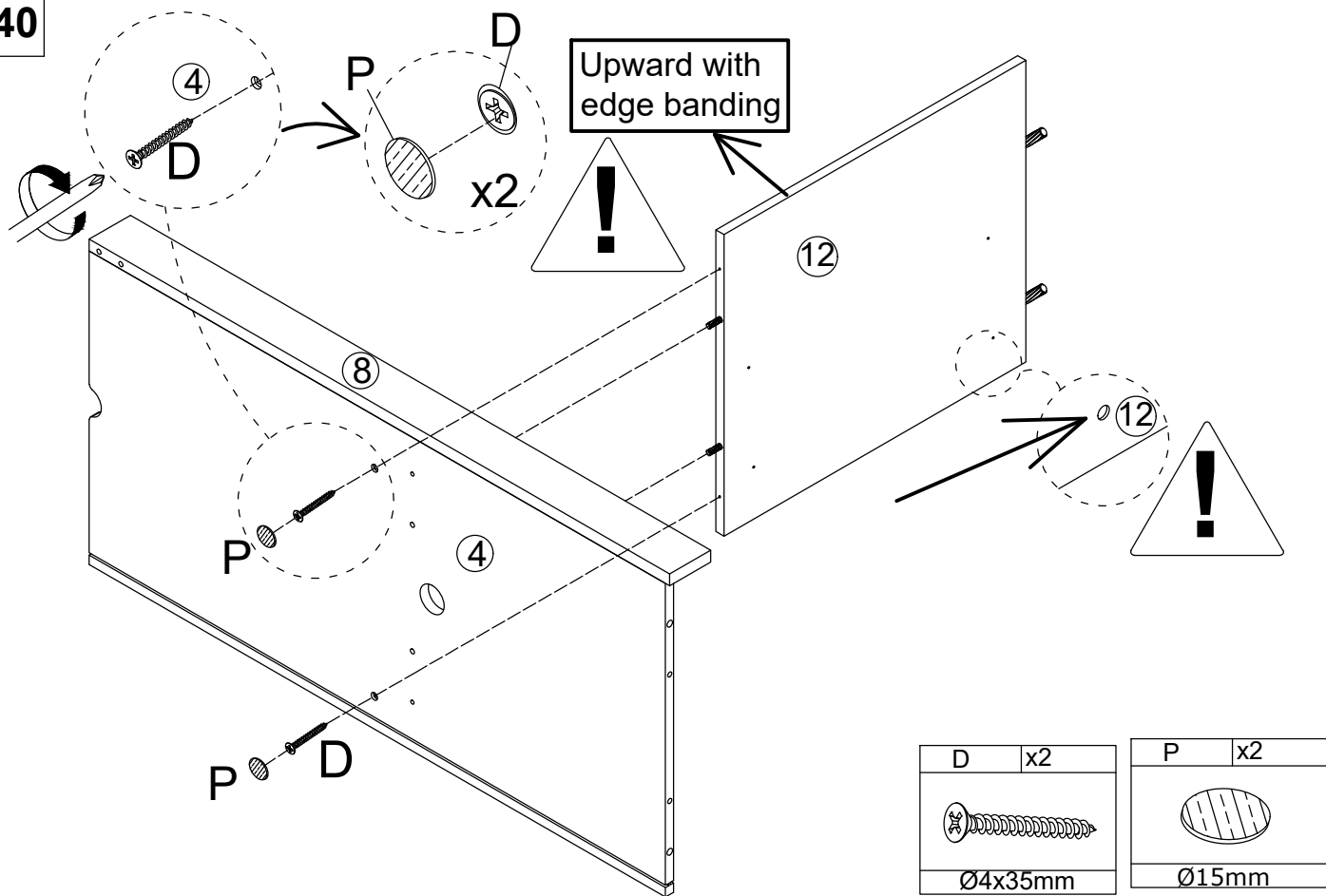
38



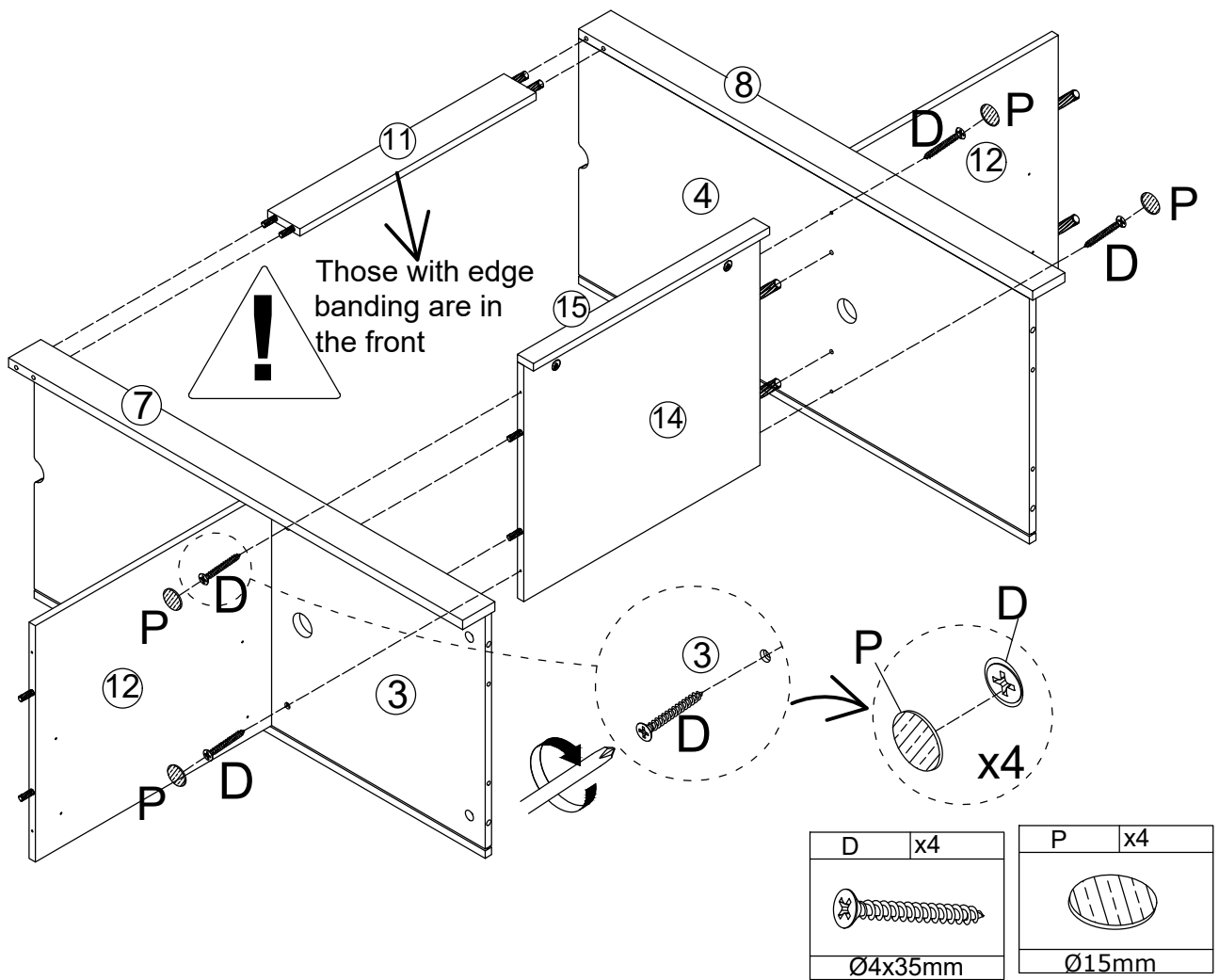
39



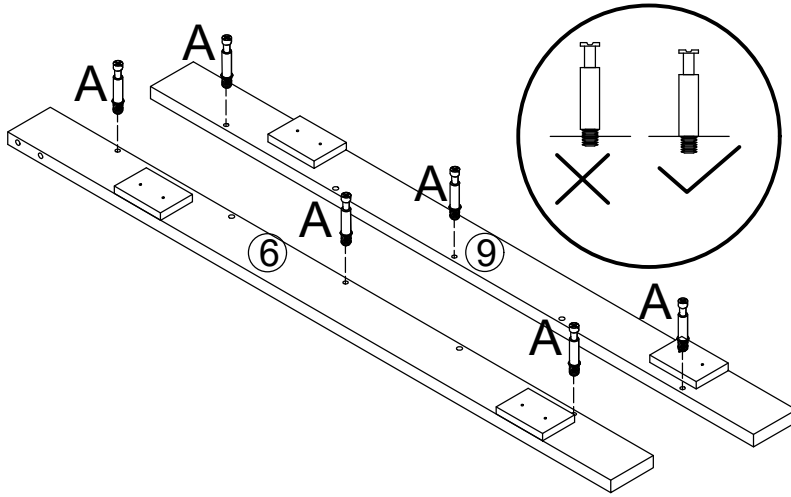
40

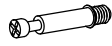


41

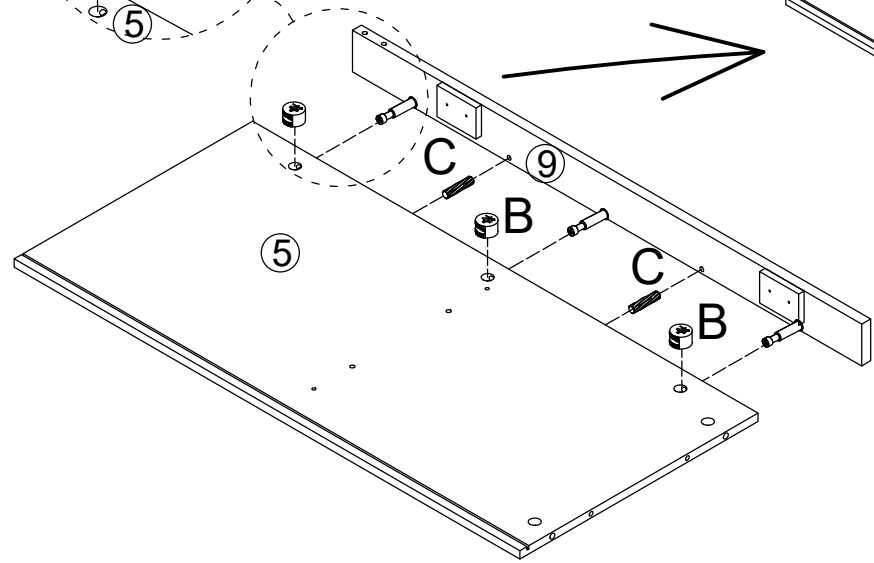
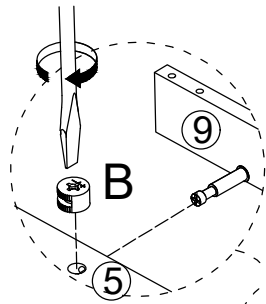
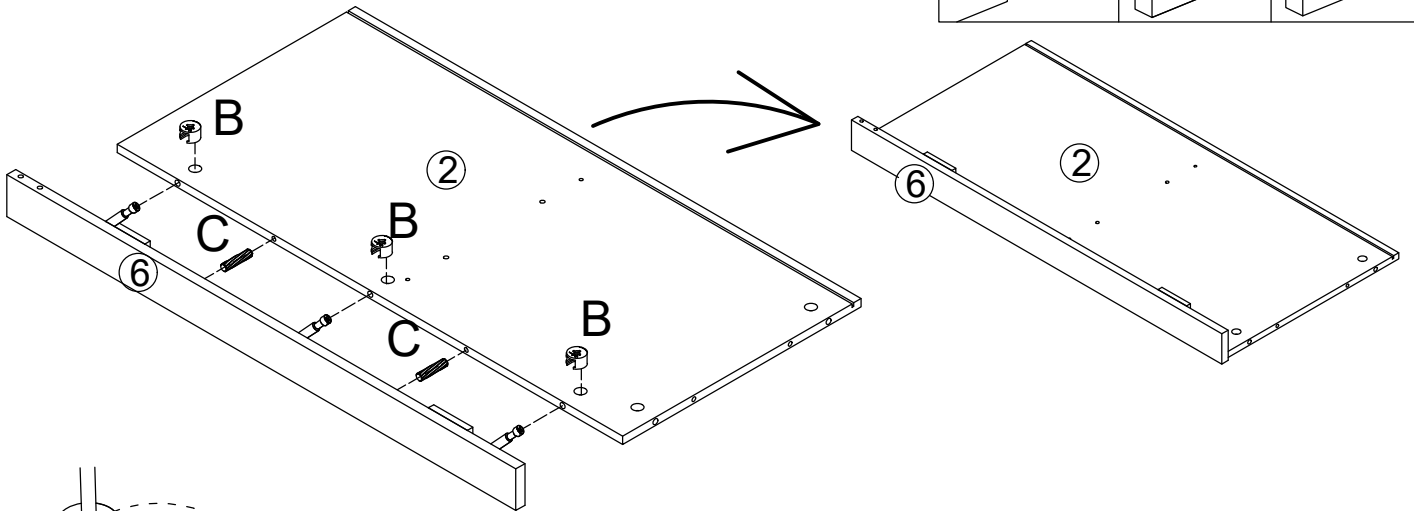
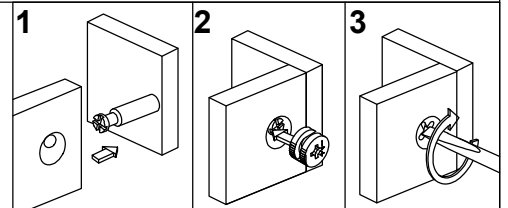



42




A	x6
	
$\text{Ø}6 \times 35 \text{mm}$	

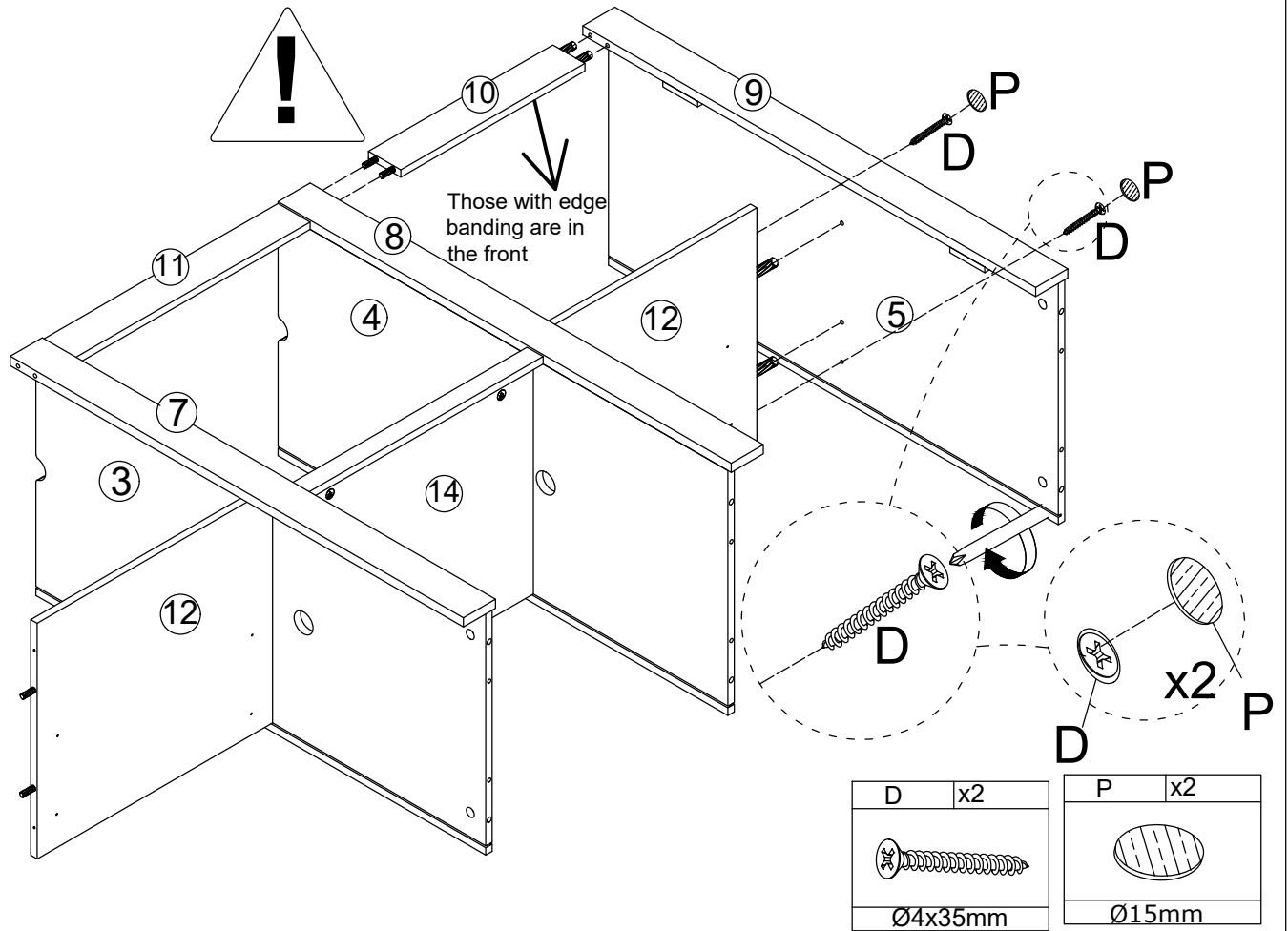
43



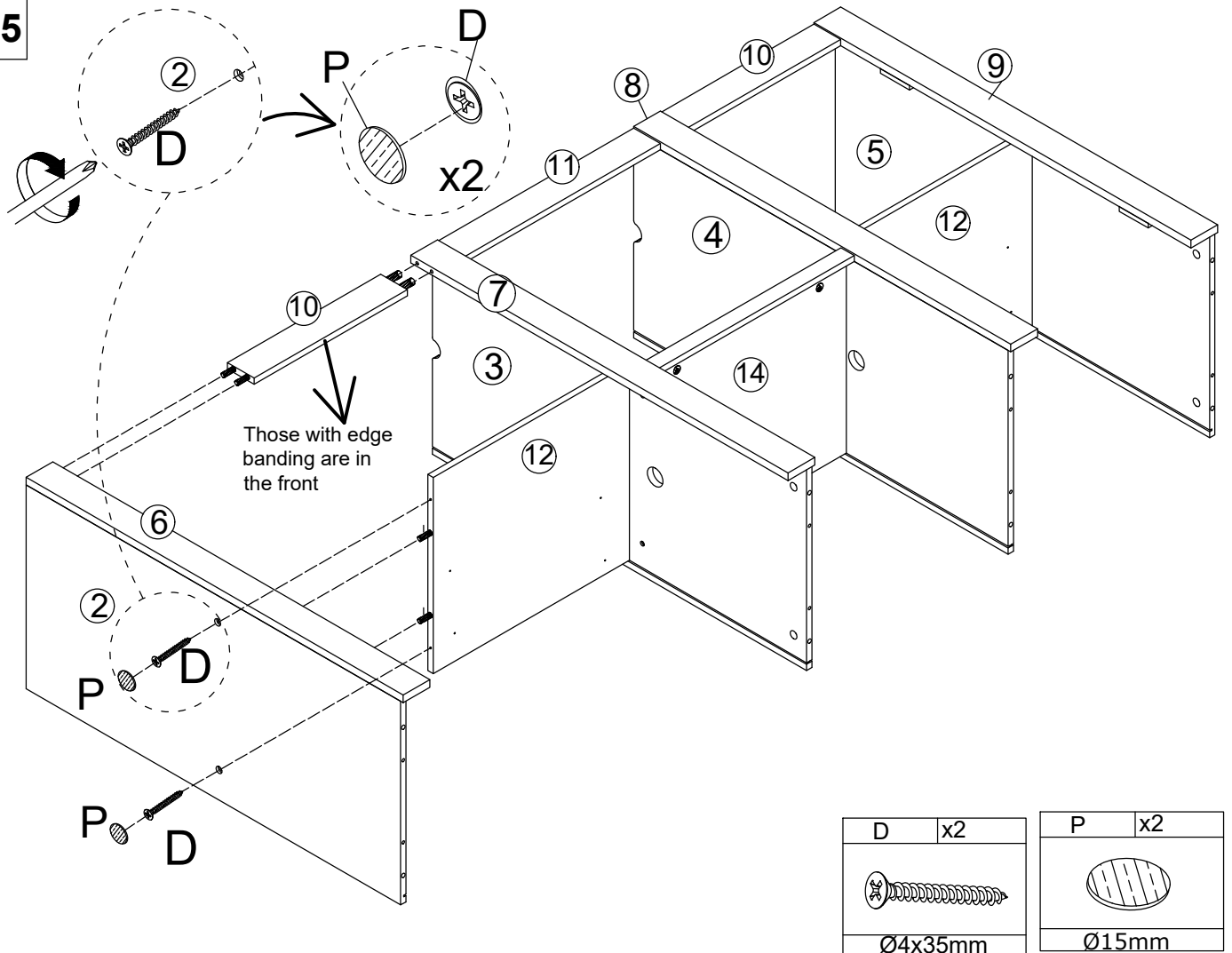
B	x6
	
$\text{Ø}15 \times 10 \text{mm}$	

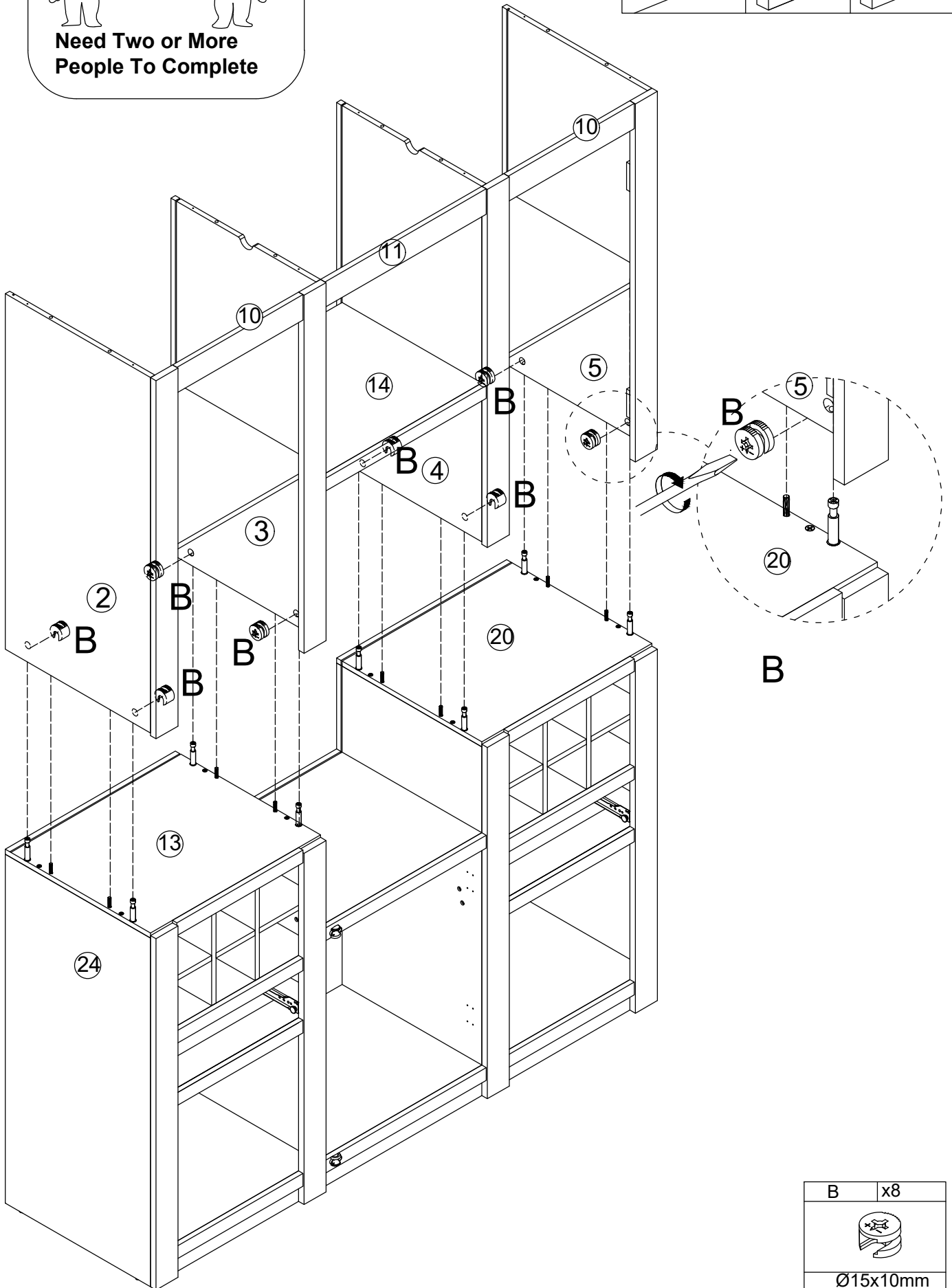
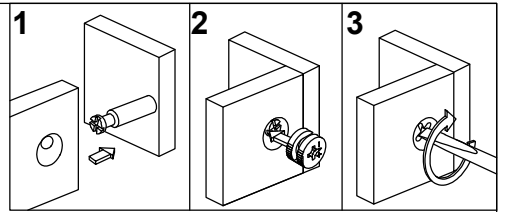
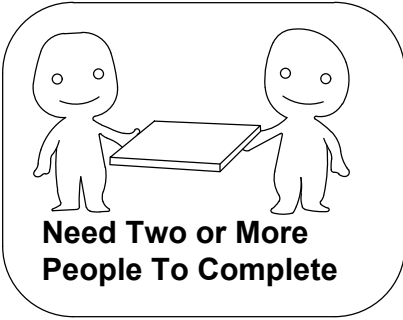
C	x4
	
$\text{Ø}6 \times 30 \text{mm}$	

44



45

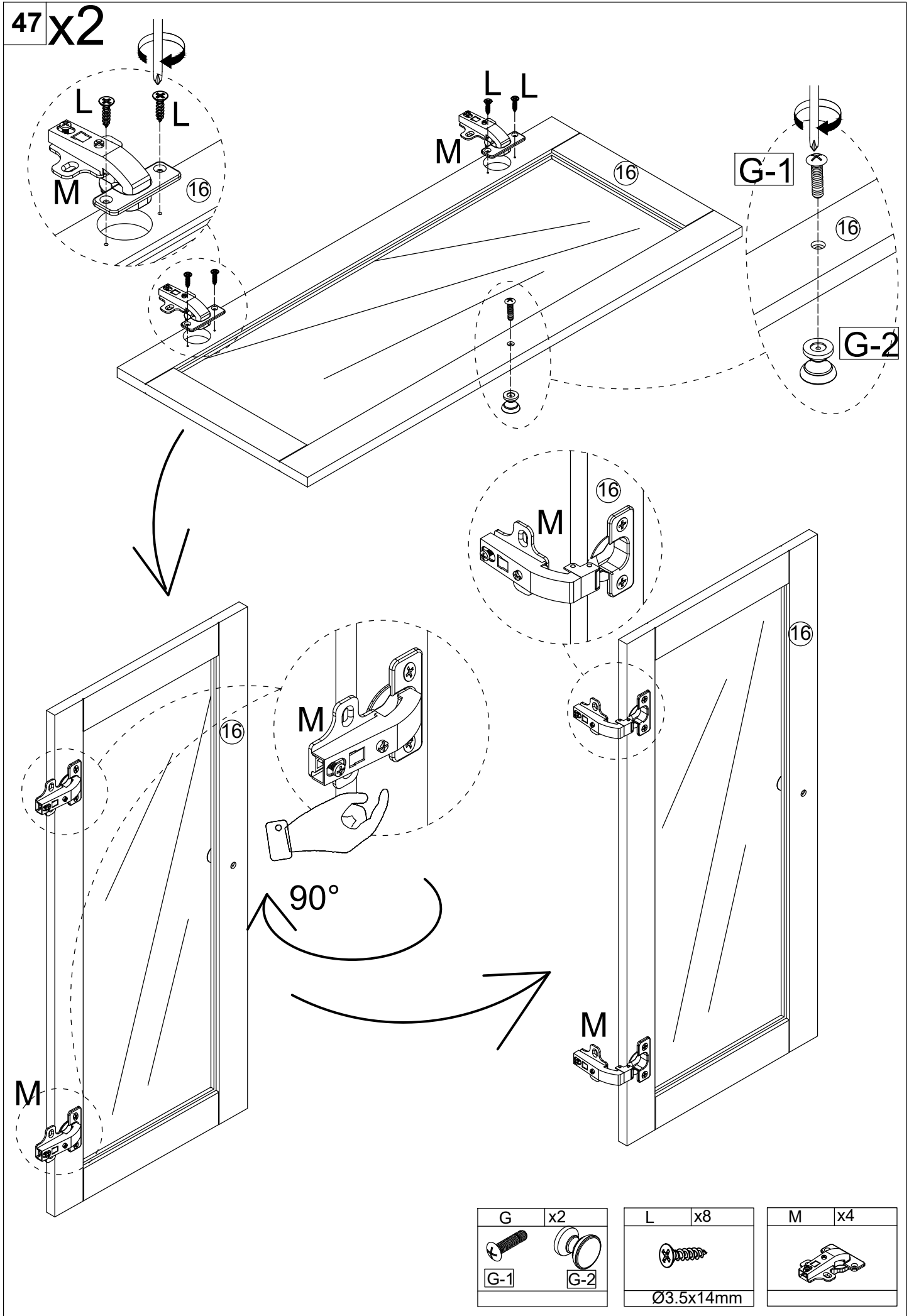


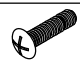




B	x8
Ø15x10mm	




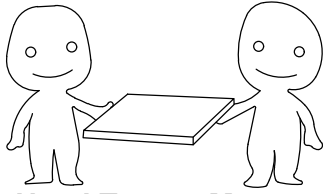
47 x2



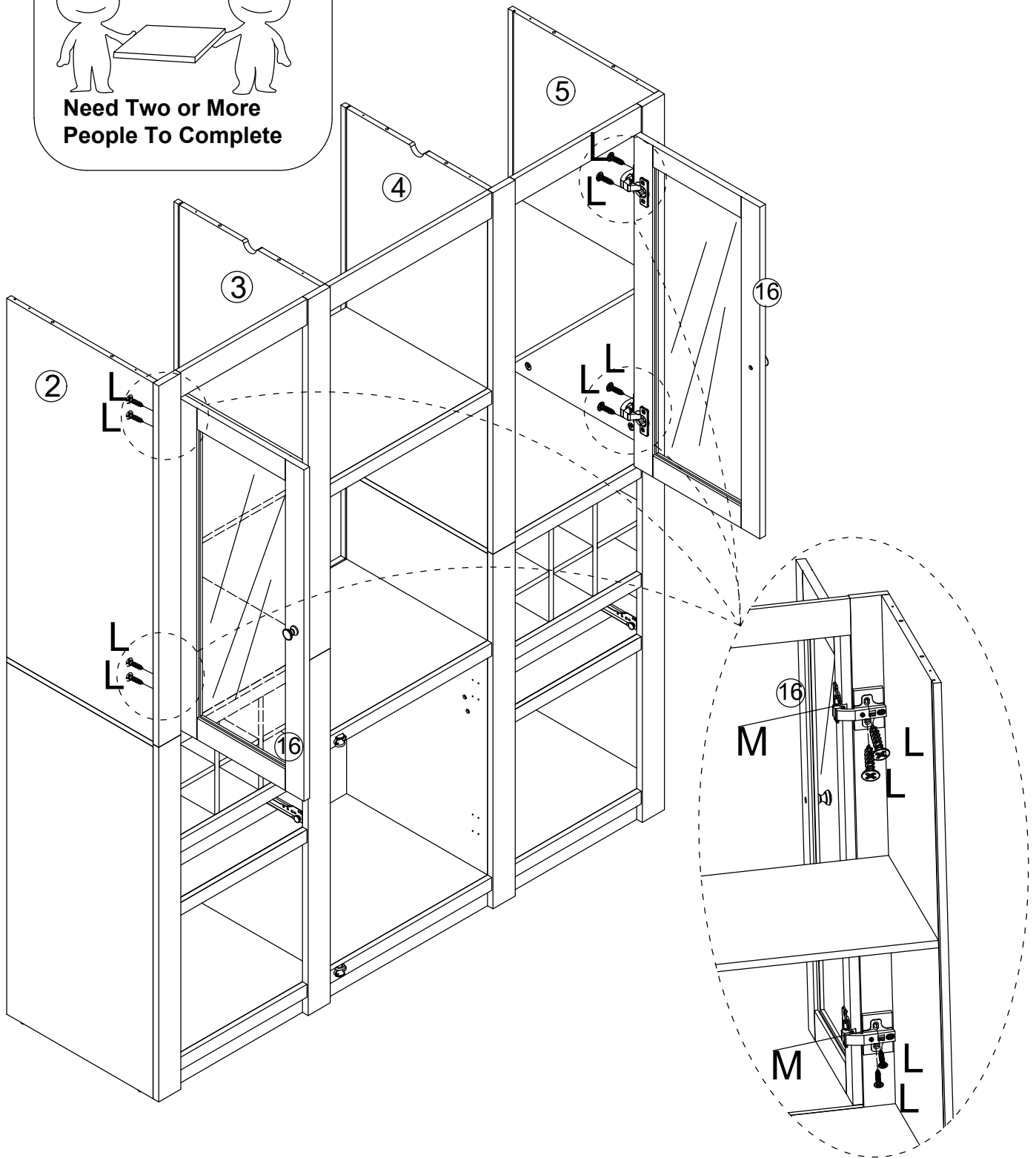
G	x2
	
G-1	G-2


L	x8
	
Ø3.5x14mm	

M	x4
	

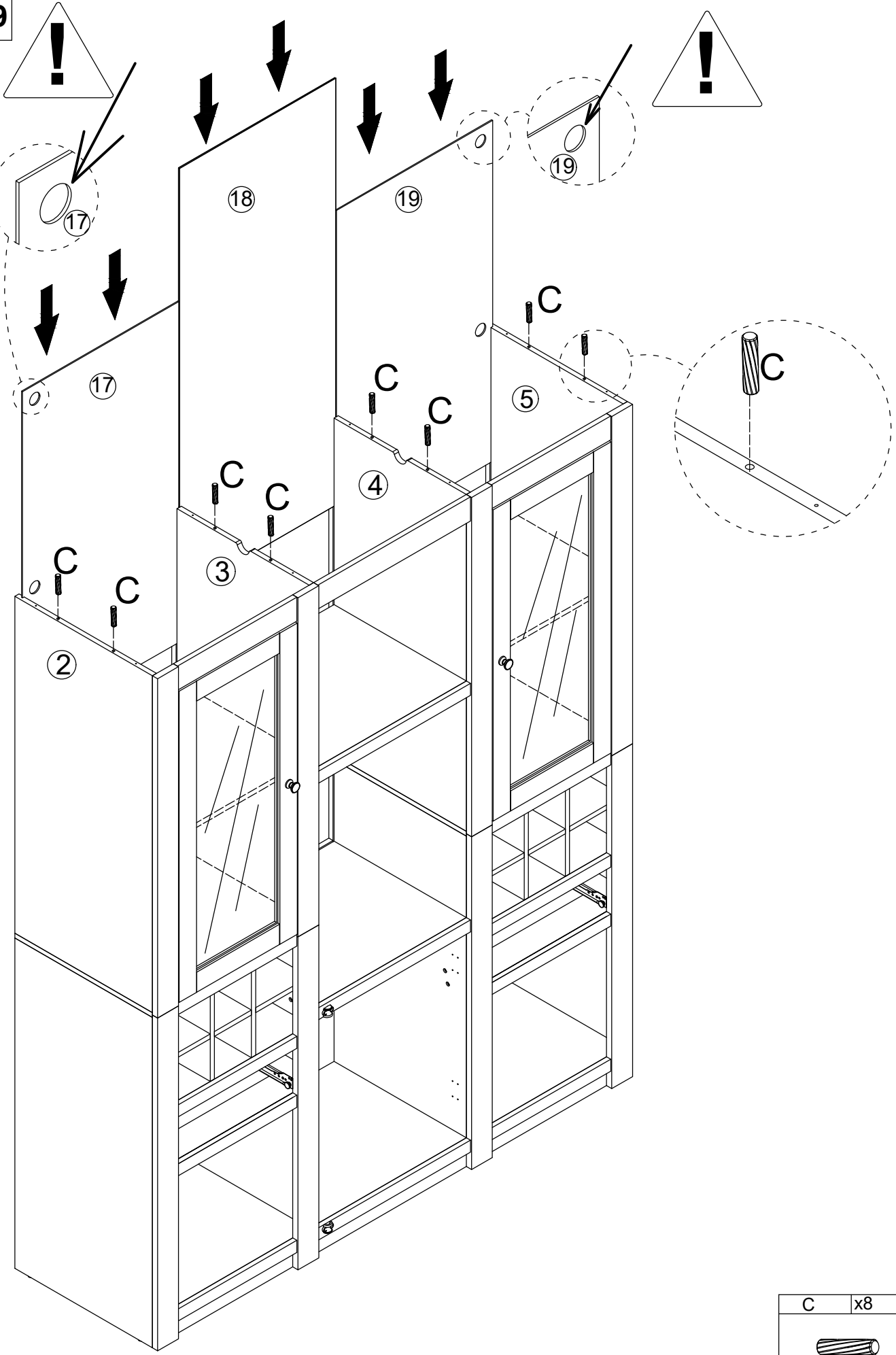



**Need Two or More  
People To Complete**

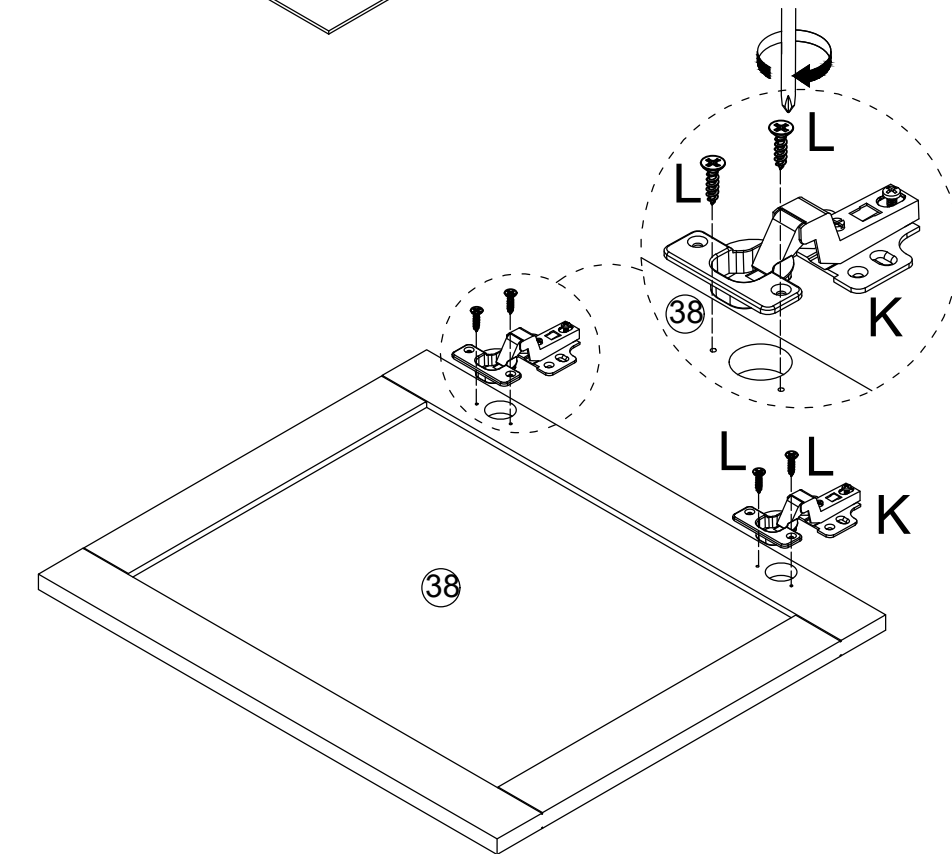
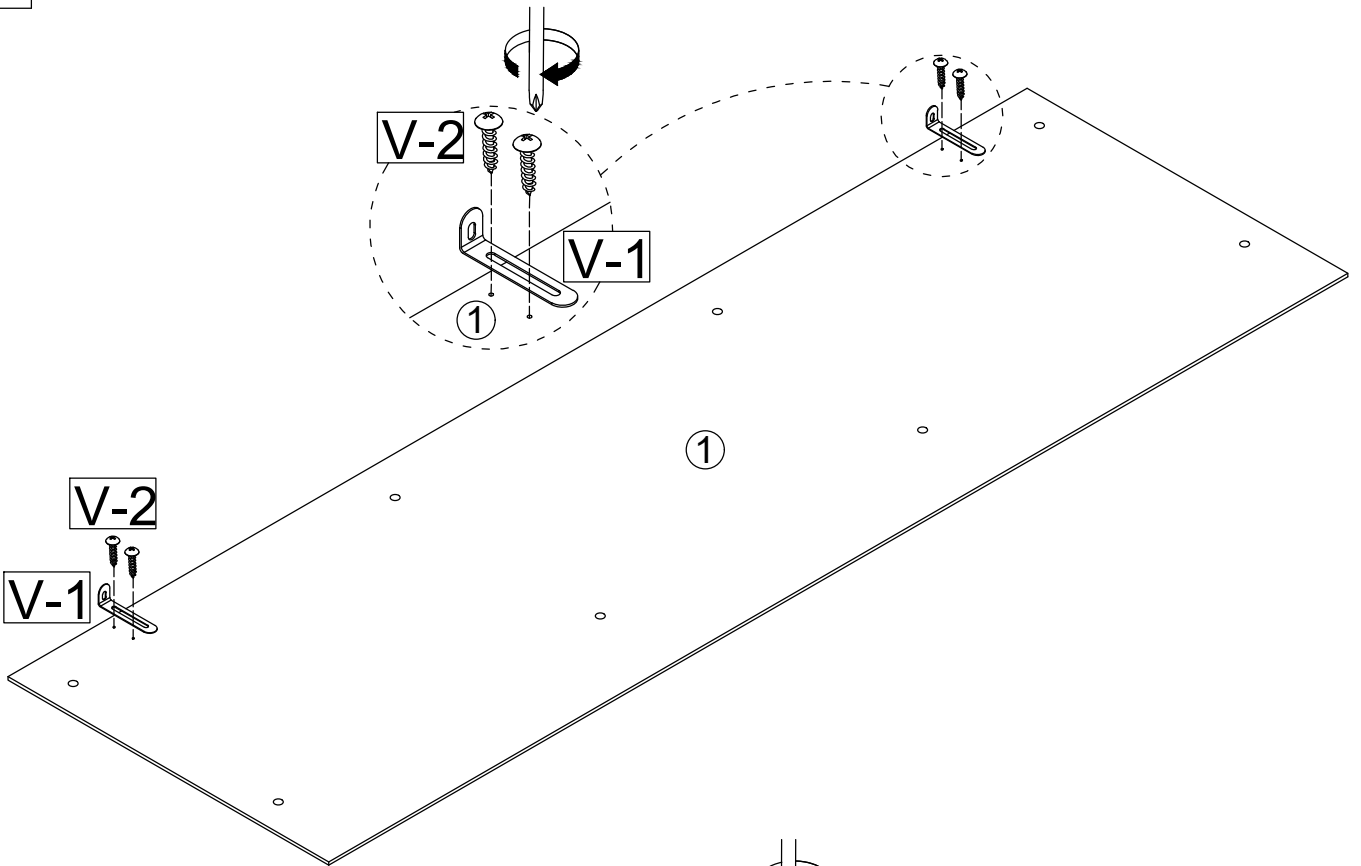


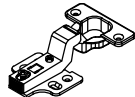
L	x8
	
Ø3.5x14mm	


49



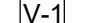



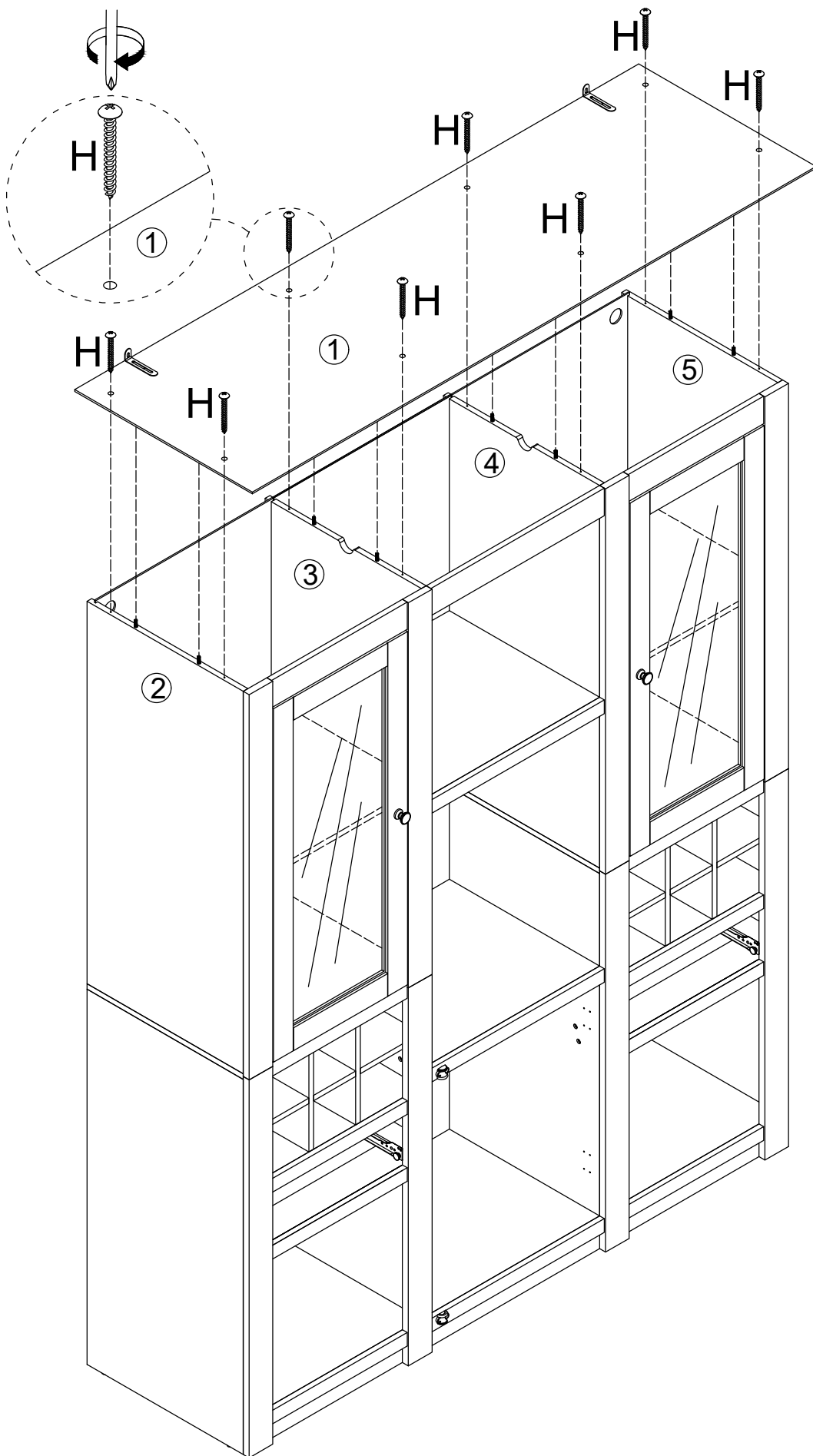
C	x8
	
Ø6x30mm	

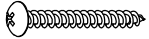


K	x2
	

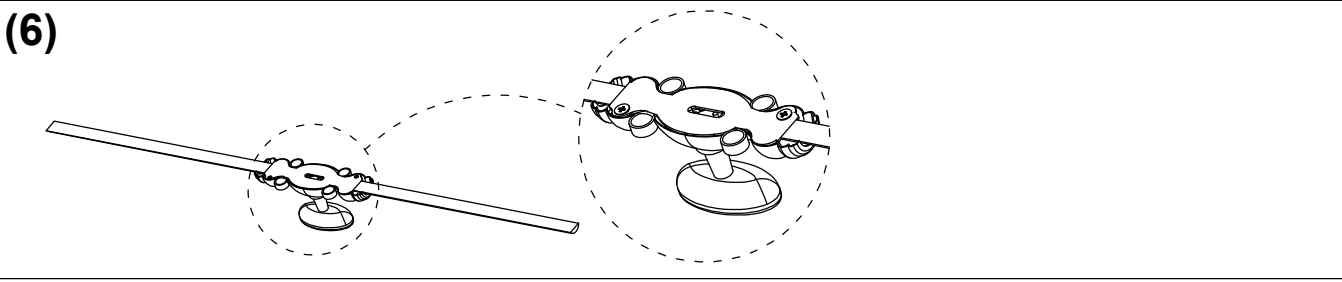
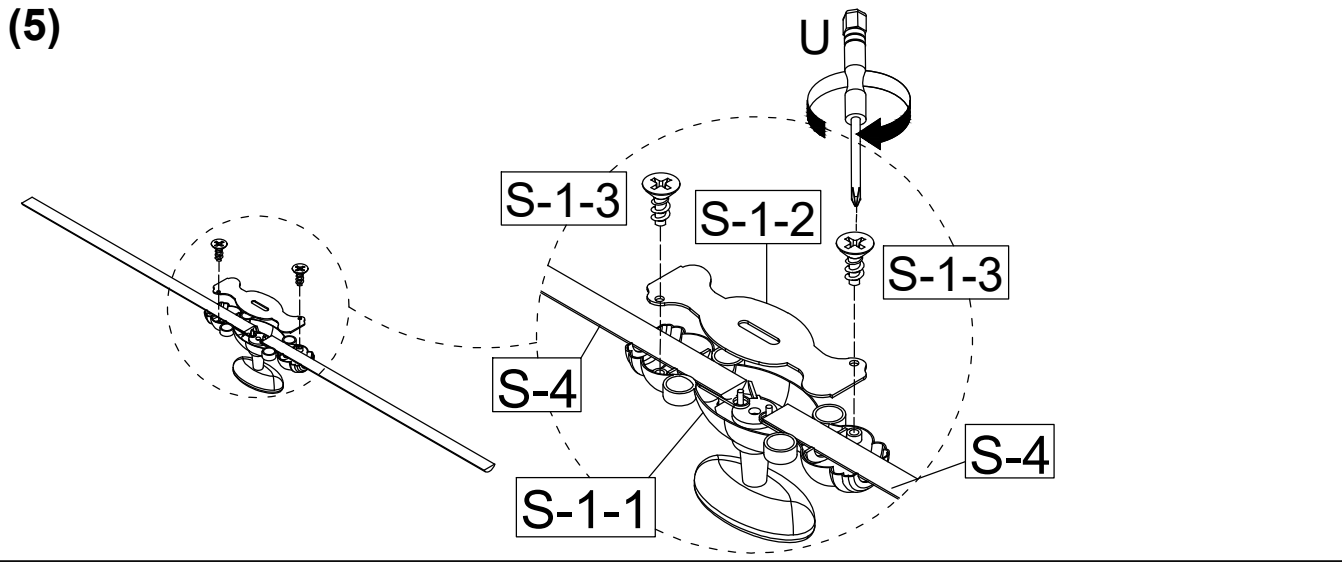
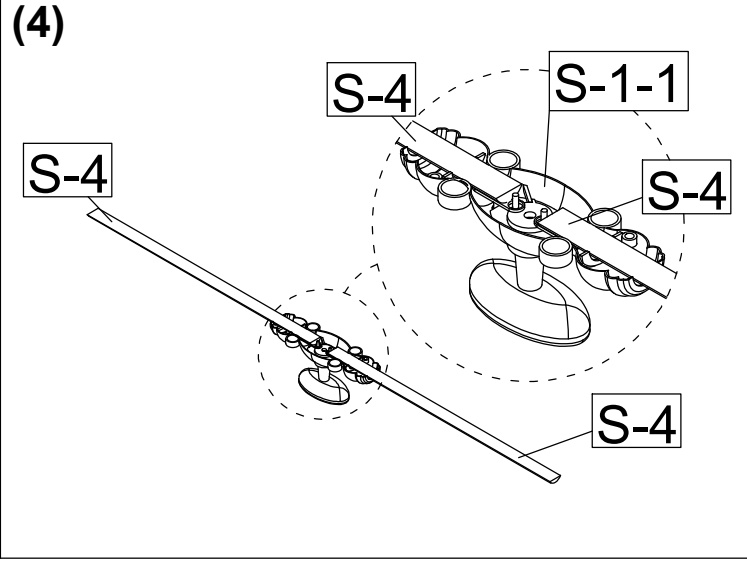
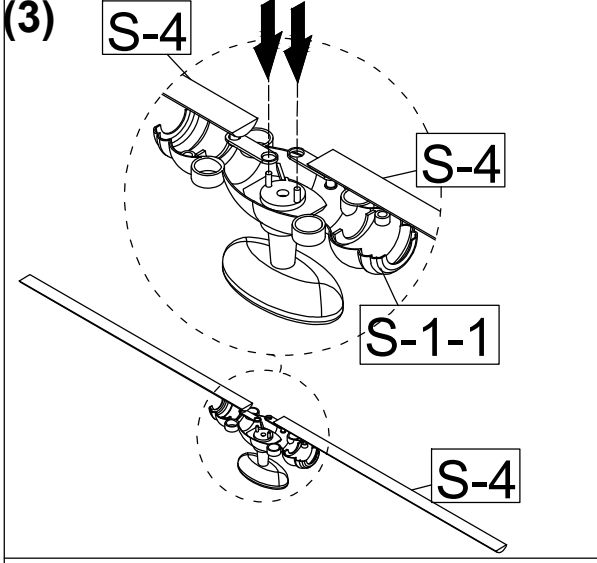
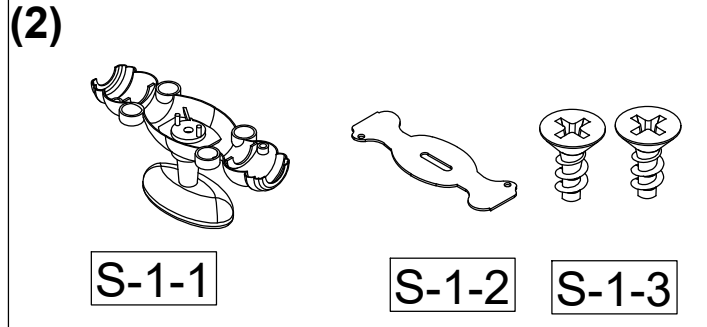
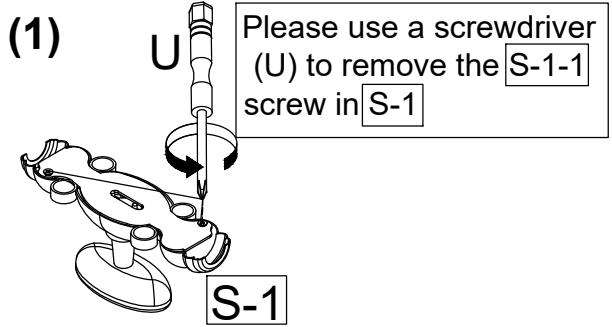
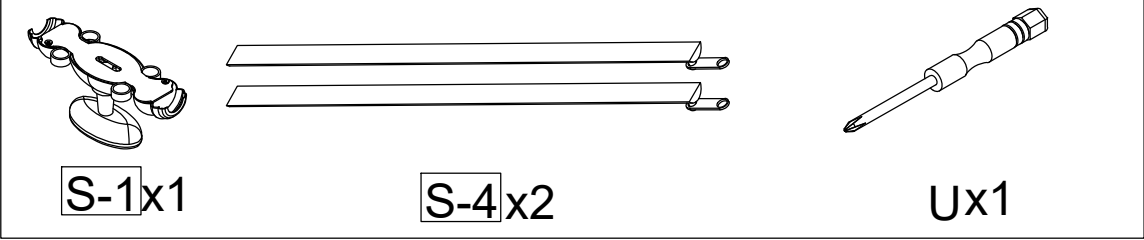
L	x4
	
Ø3.5x14mm	

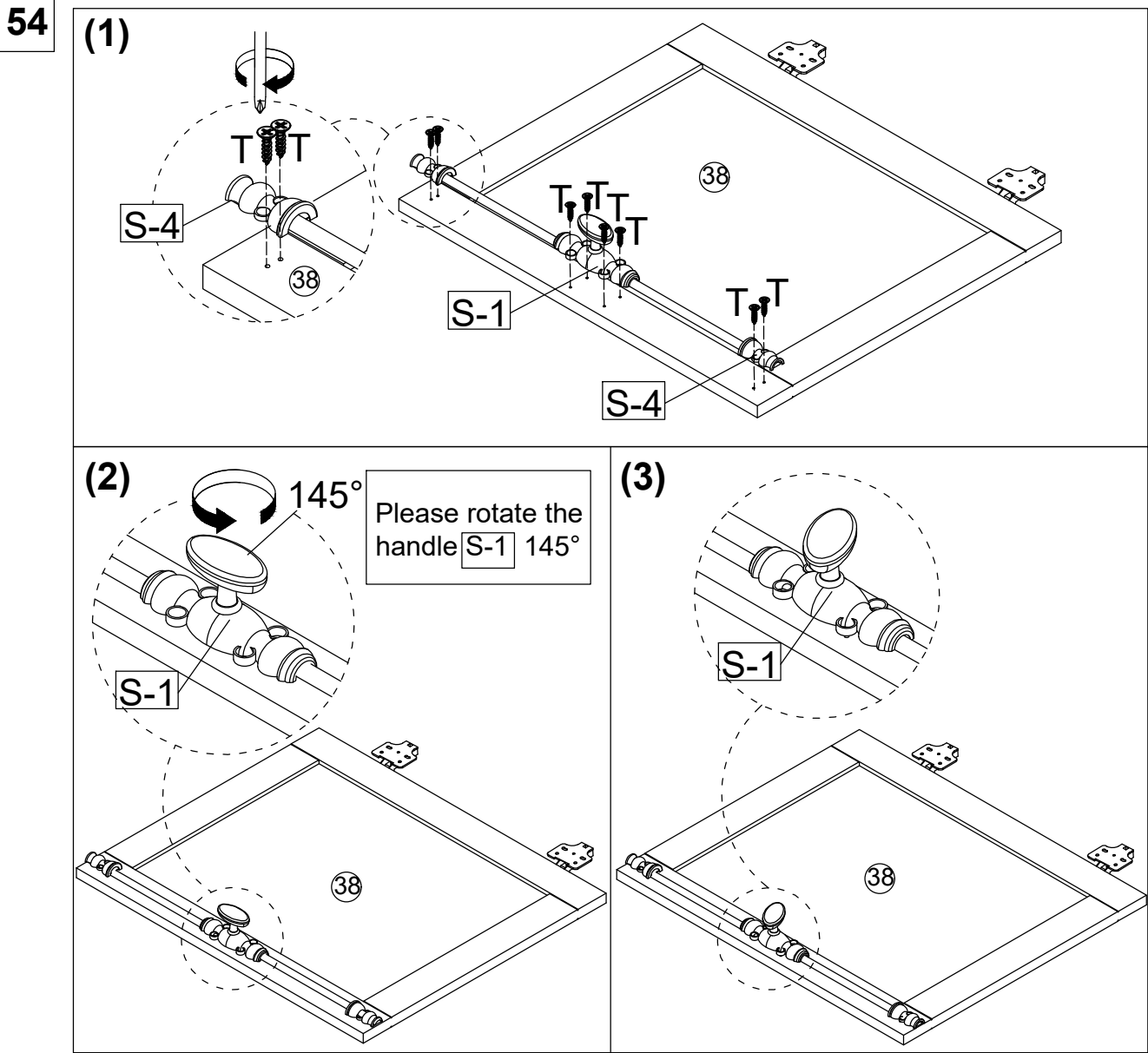
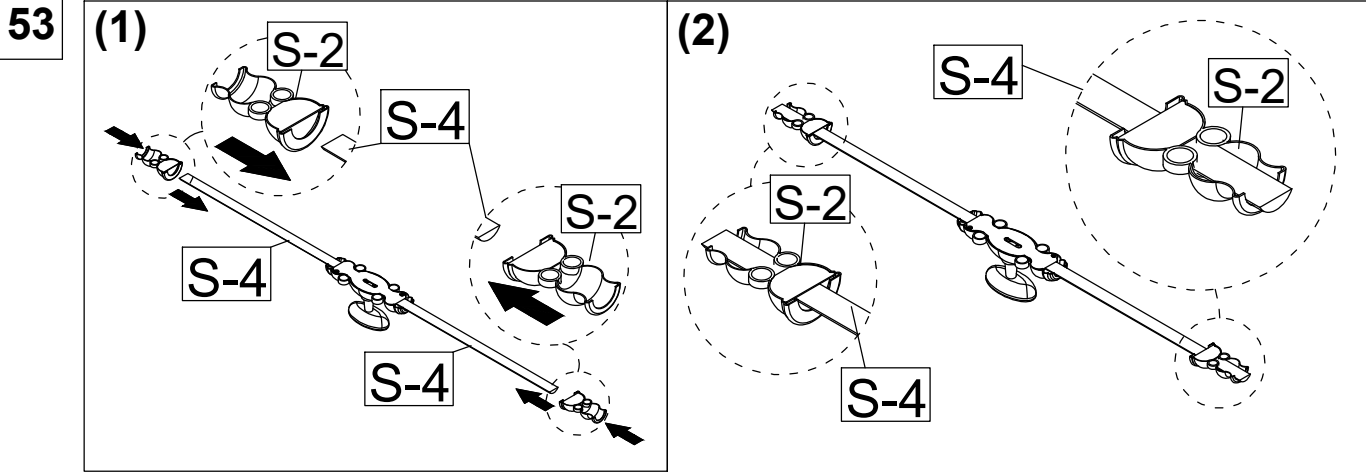
V	x2
 	
 	




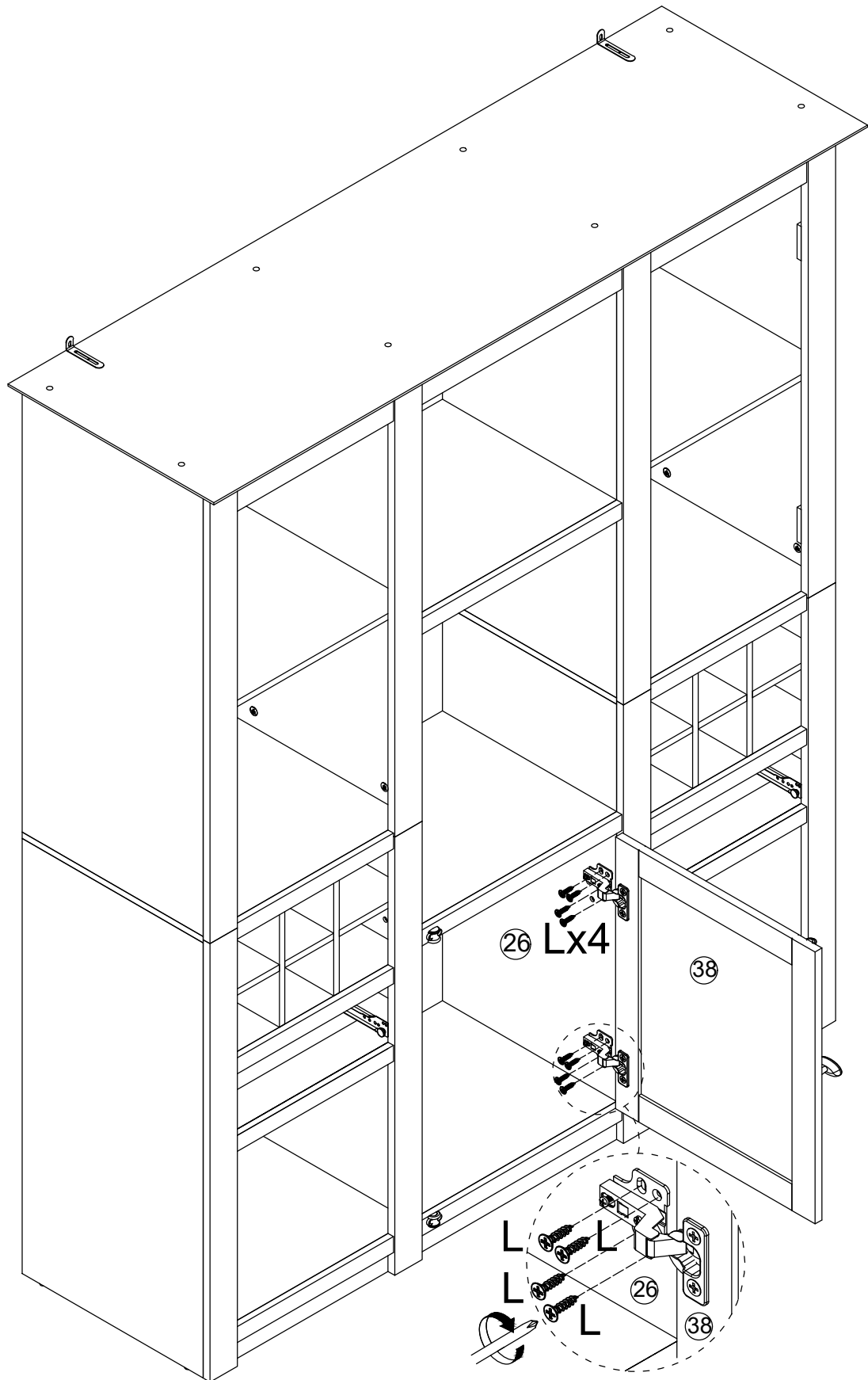
H	x8
	
Ø4x45mm	


52



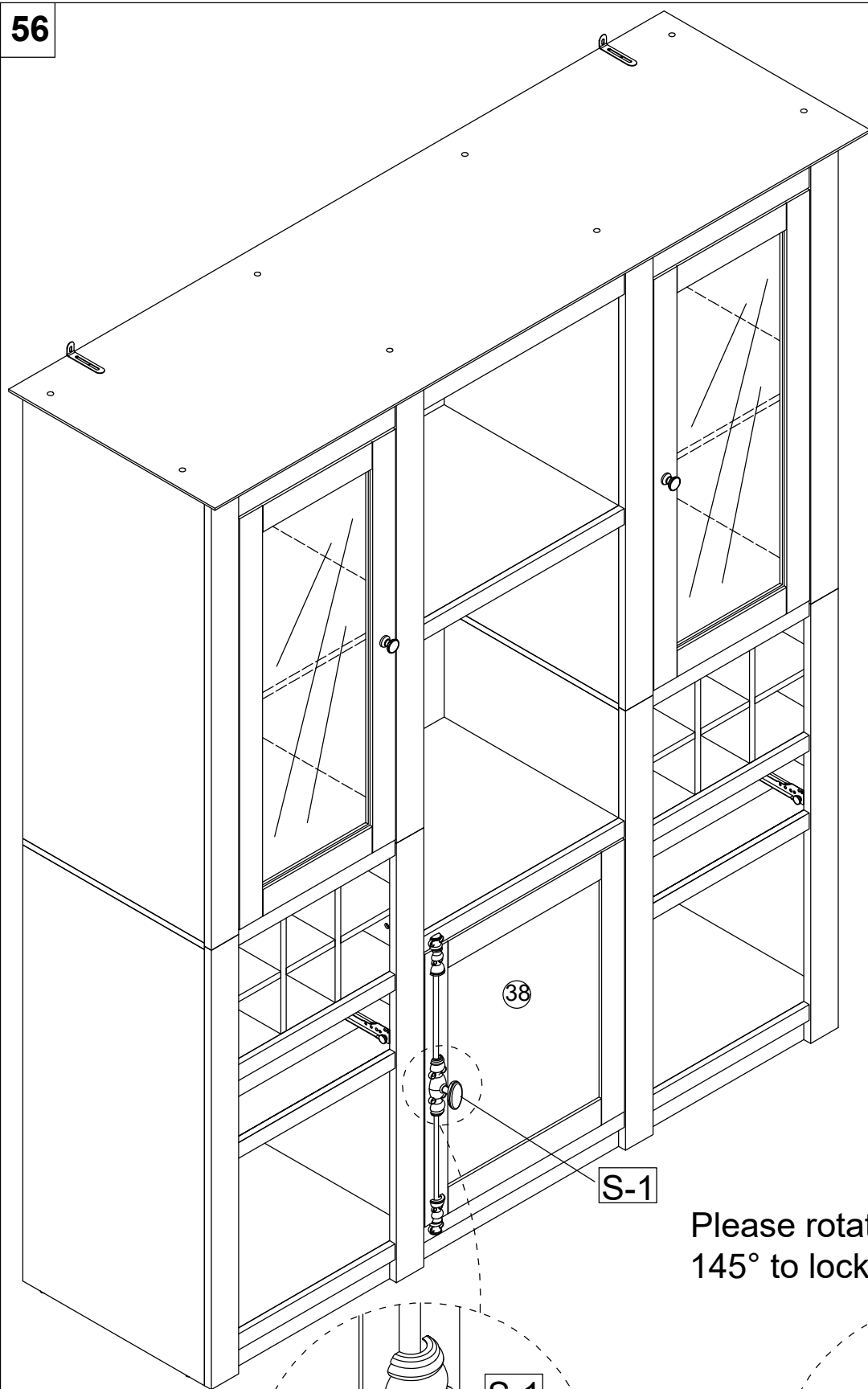


T	x8
	

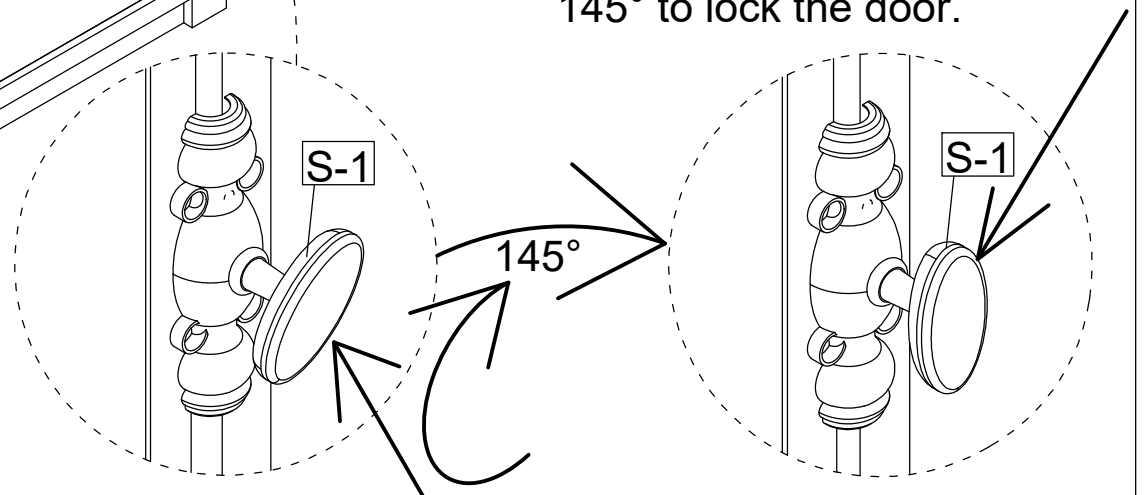


L	x8
	
Ø3.5x14mm	

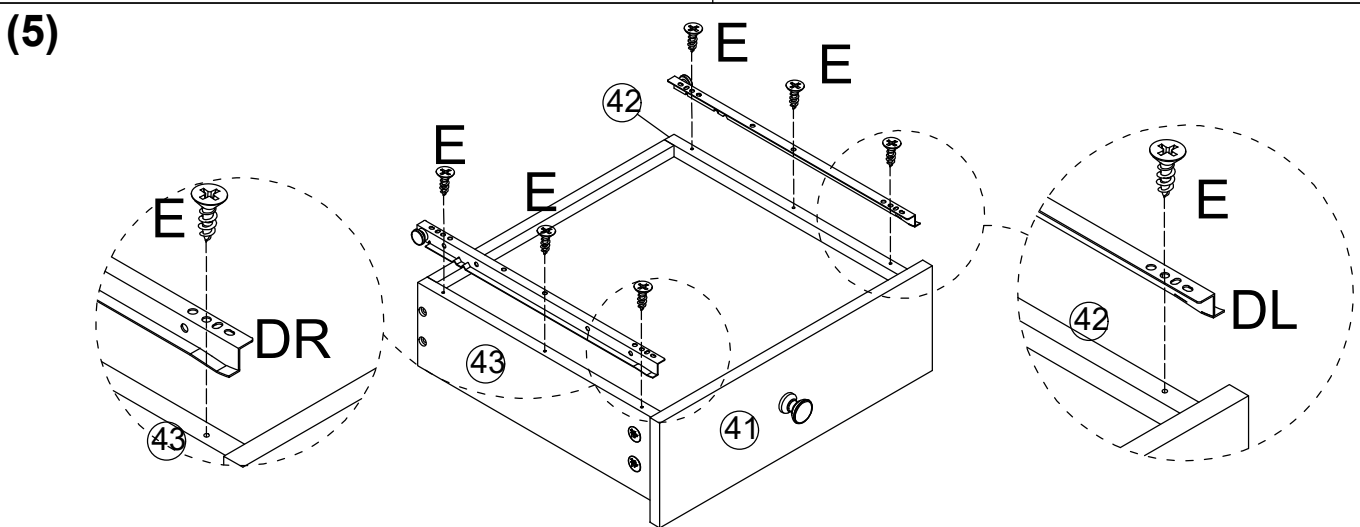
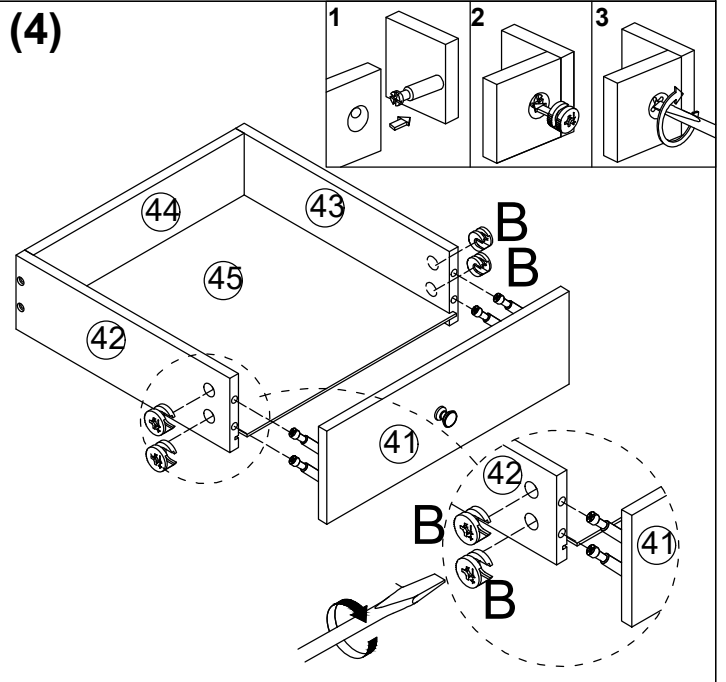
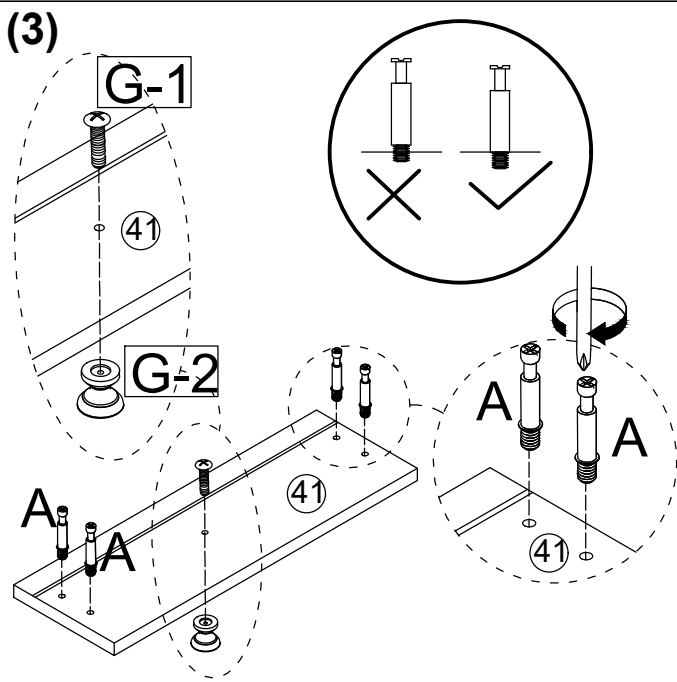
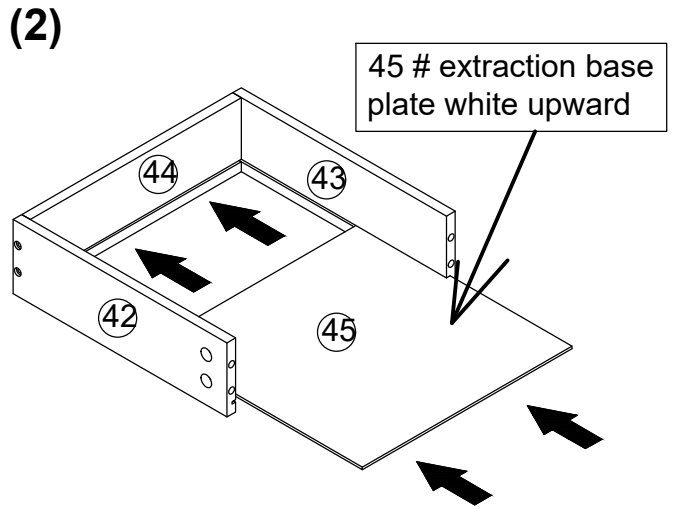
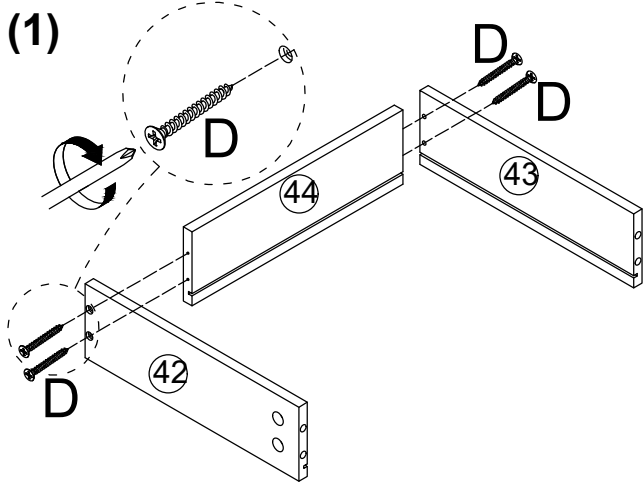




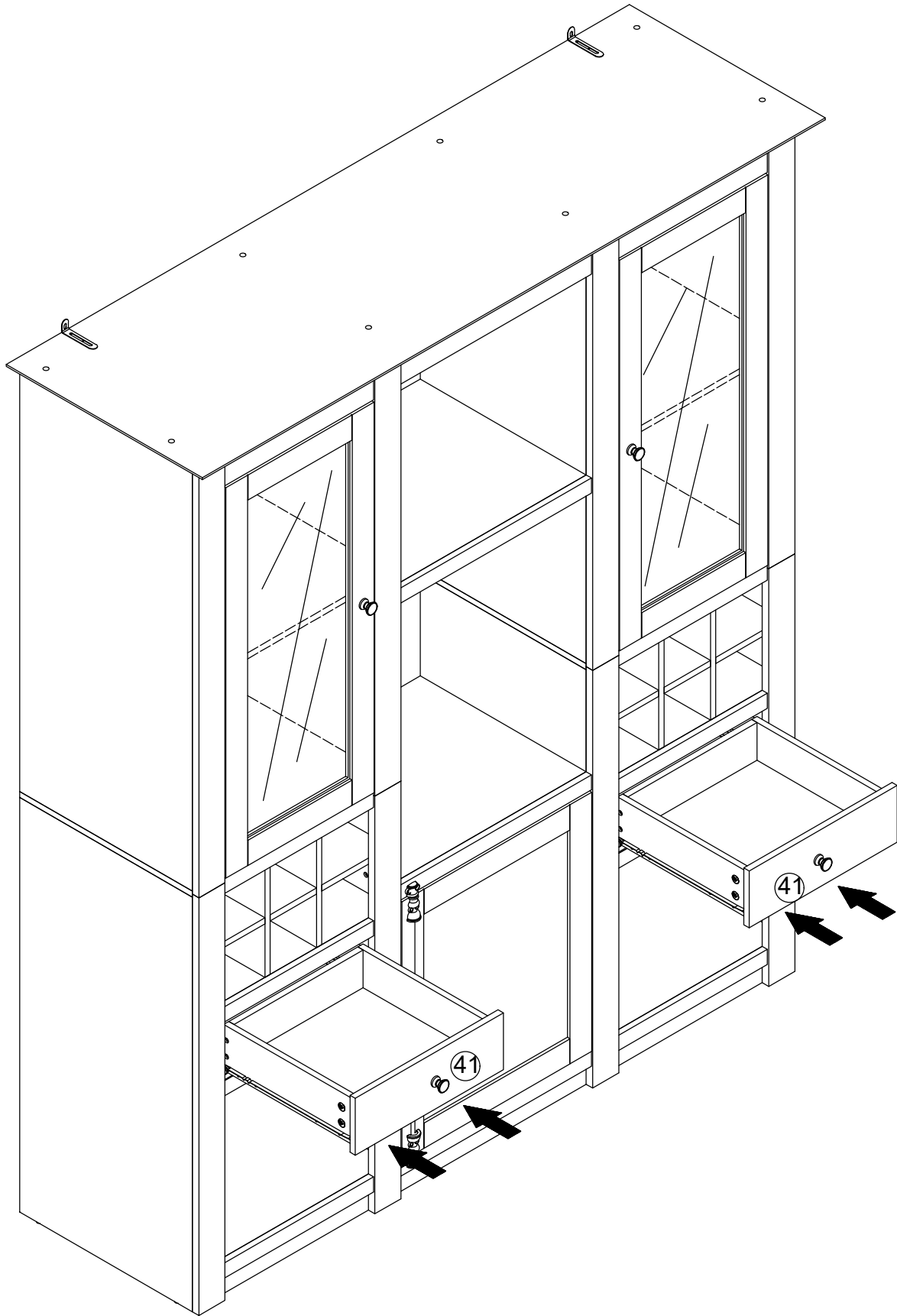
Please rotate the handle S-1 145° to lock the door.

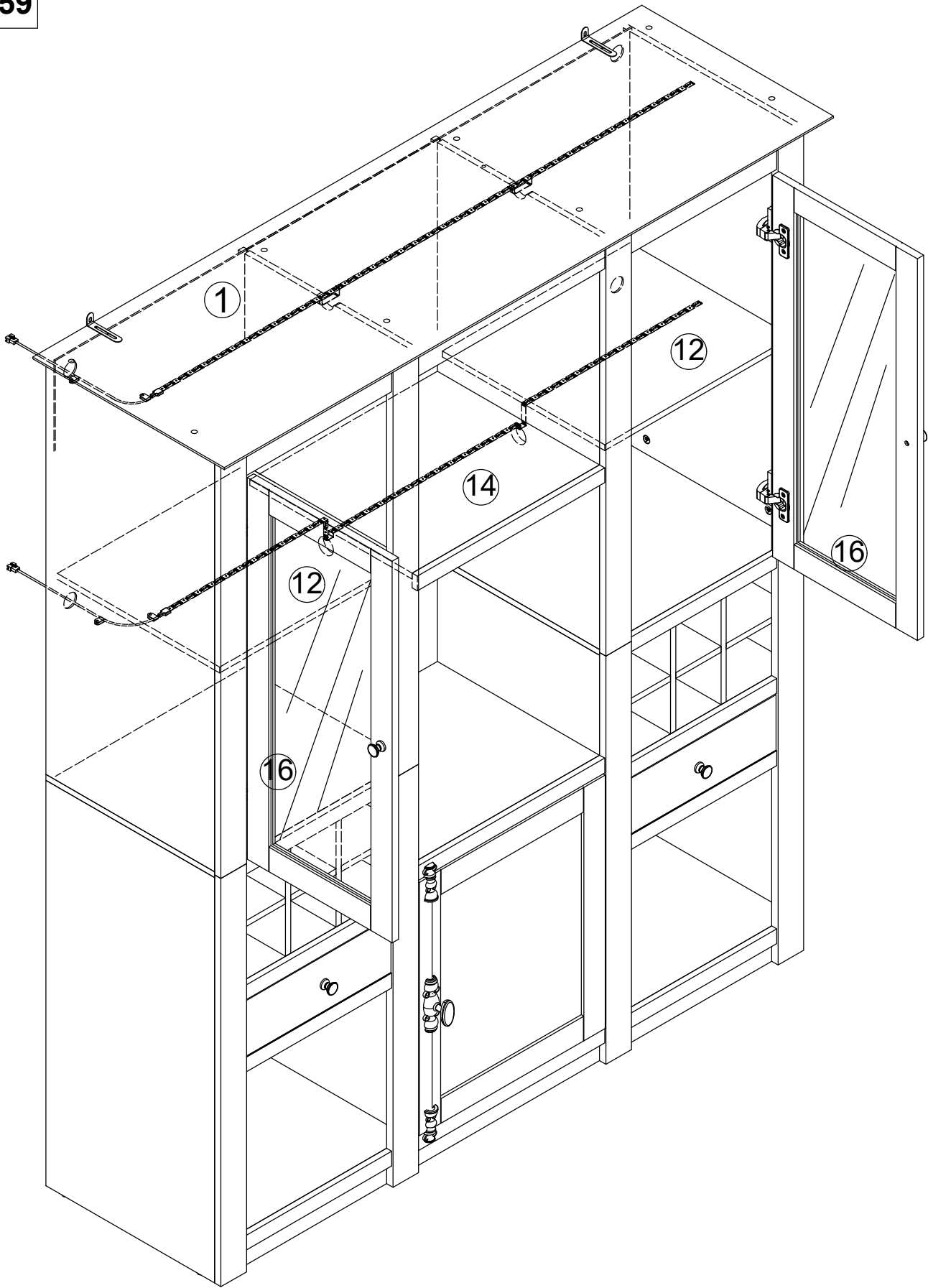


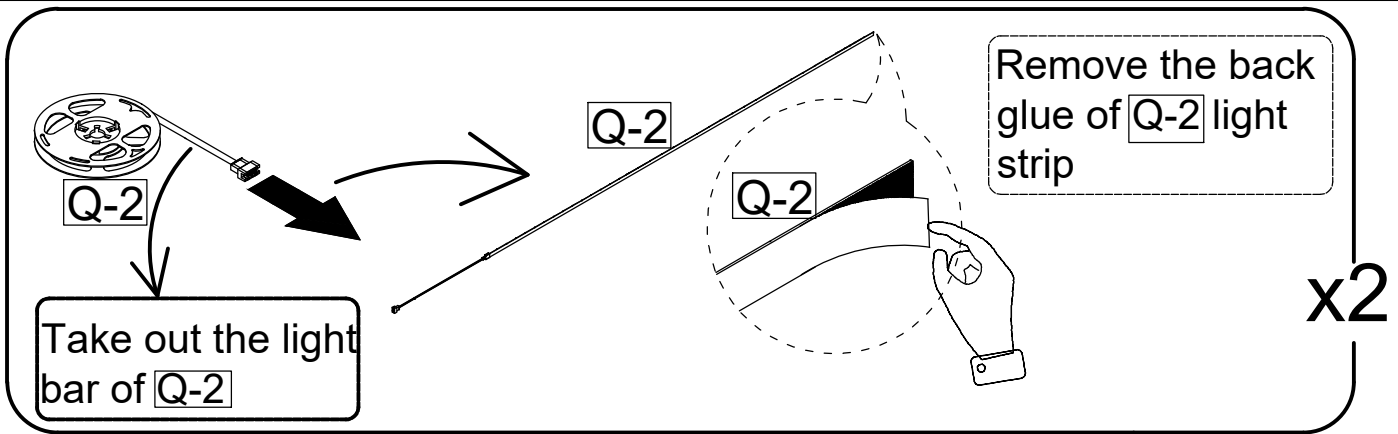
57 x2



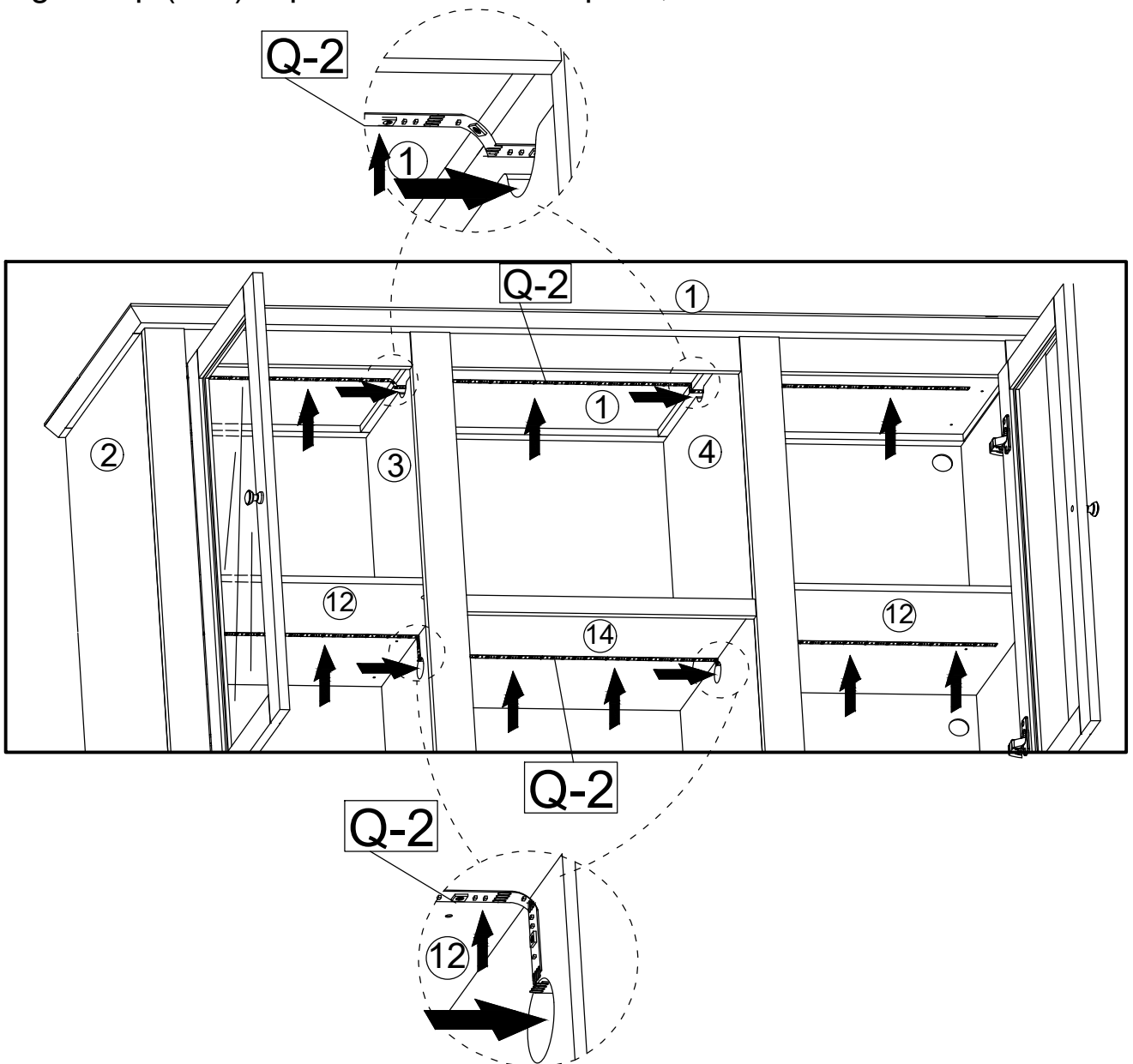
A	x8	B	x8	D	x8	E	x12	G	x2	DL	x2	DR	x2
Ø6x35mm		Ø15x10mm		Ø4x35mm		Ø3x12mm		G-1	G-2	L300mm		L300mm	



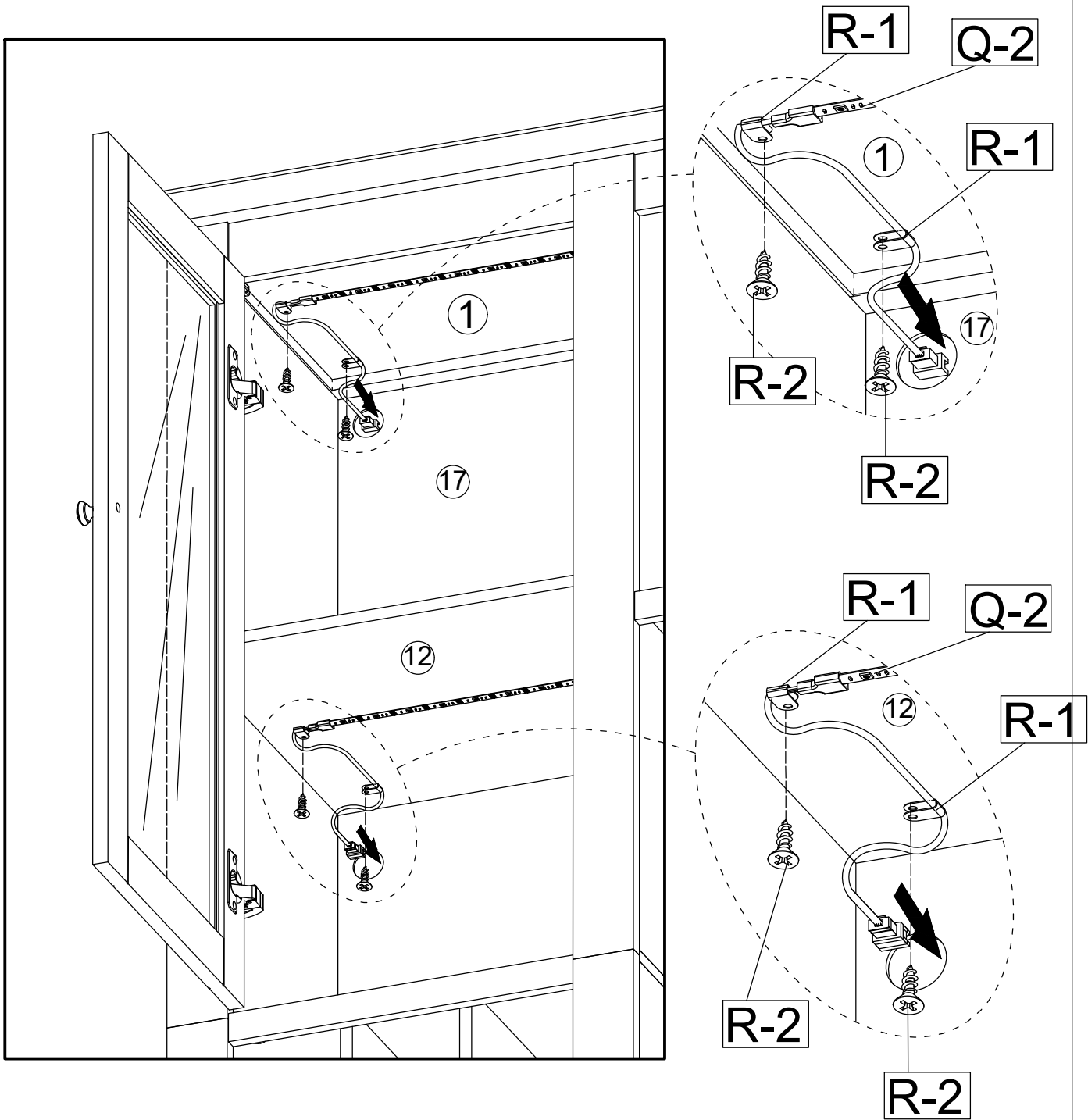




Light strip under No. 1 top plate: tear off the glue on the back of the light strip (Q-2), and then the light strip (Q-2) passes through the middle hole on the top of No. 3 plate and No. 4 plate. After the position is adjusted, the light strip (Q-2) is pasted under No. 1 plate, as shown.

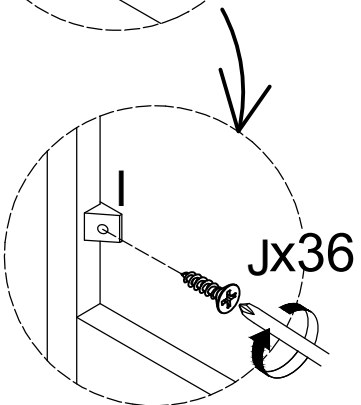
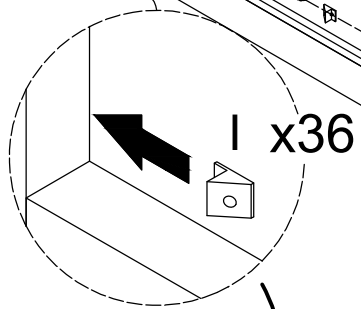
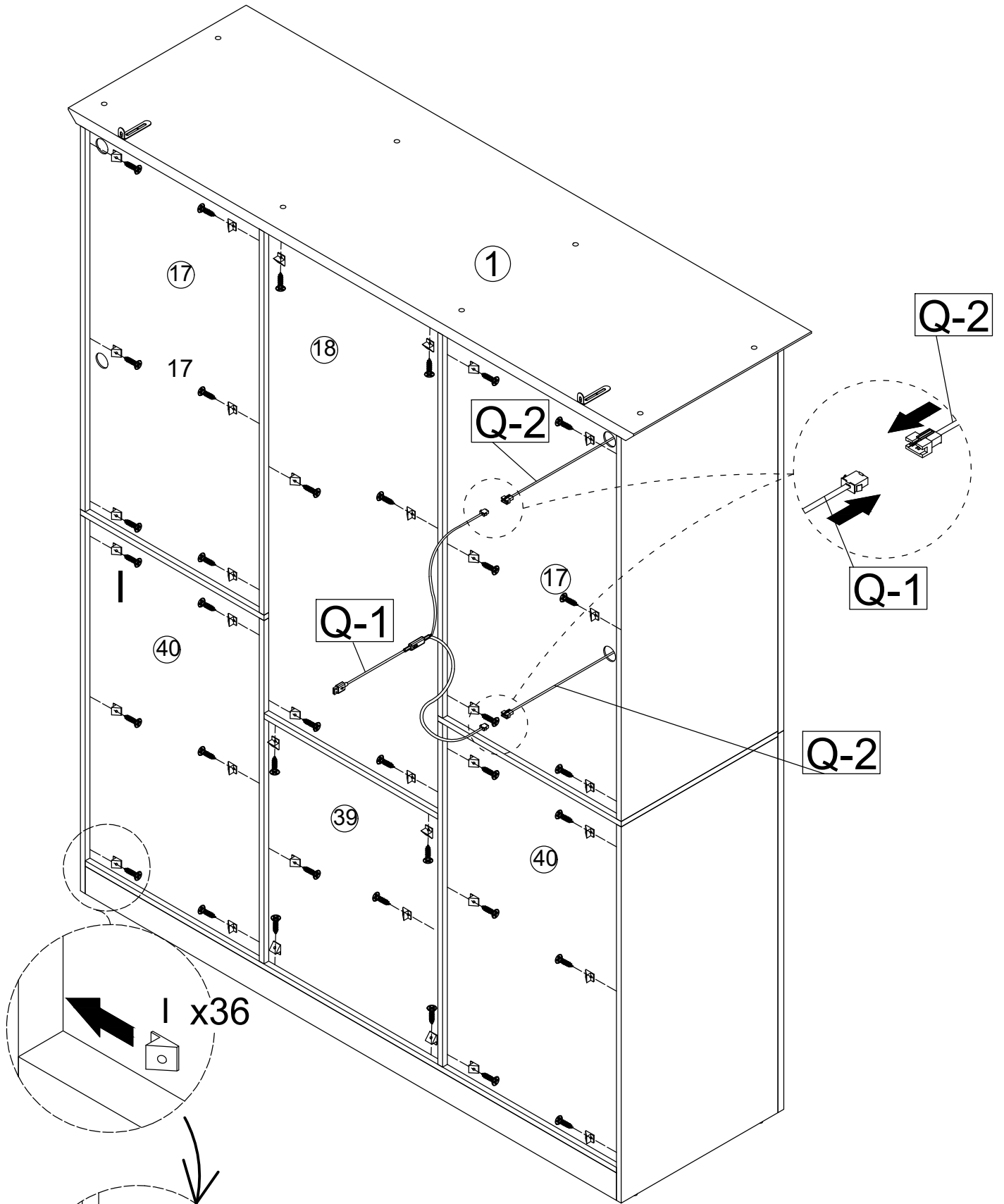


Light strip under 12 # plate and 14 # plate: tear off the back glue of light strip (Q-2), and then the light strip (Q-2) passes through the middle hole on the top of 3 # plate and 4 # plate. After the position is adjusted, the light strip (Q-2) is pasted under 12 # plate and 14 # plate, as shown.



Q-2	x2

R	x4
R-1	R-2

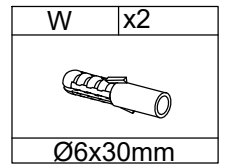
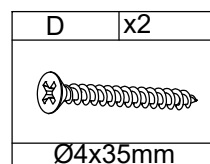
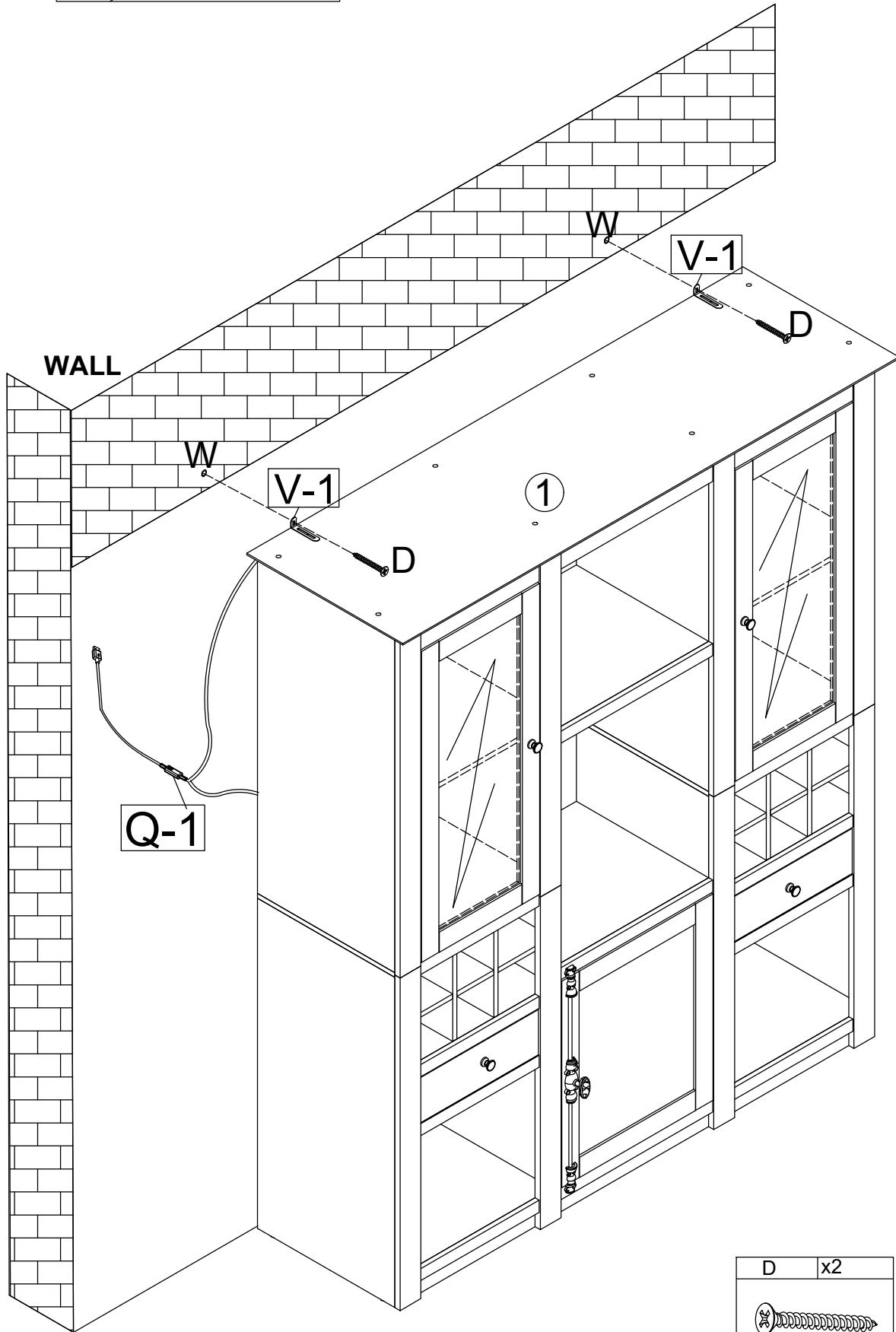
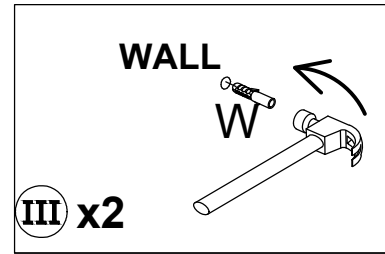
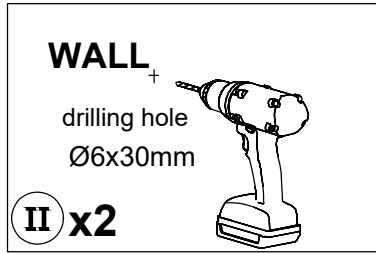
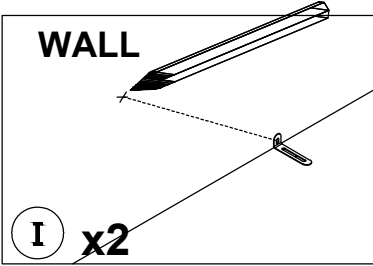


I	x36

J	x36
Ø3x16mm	

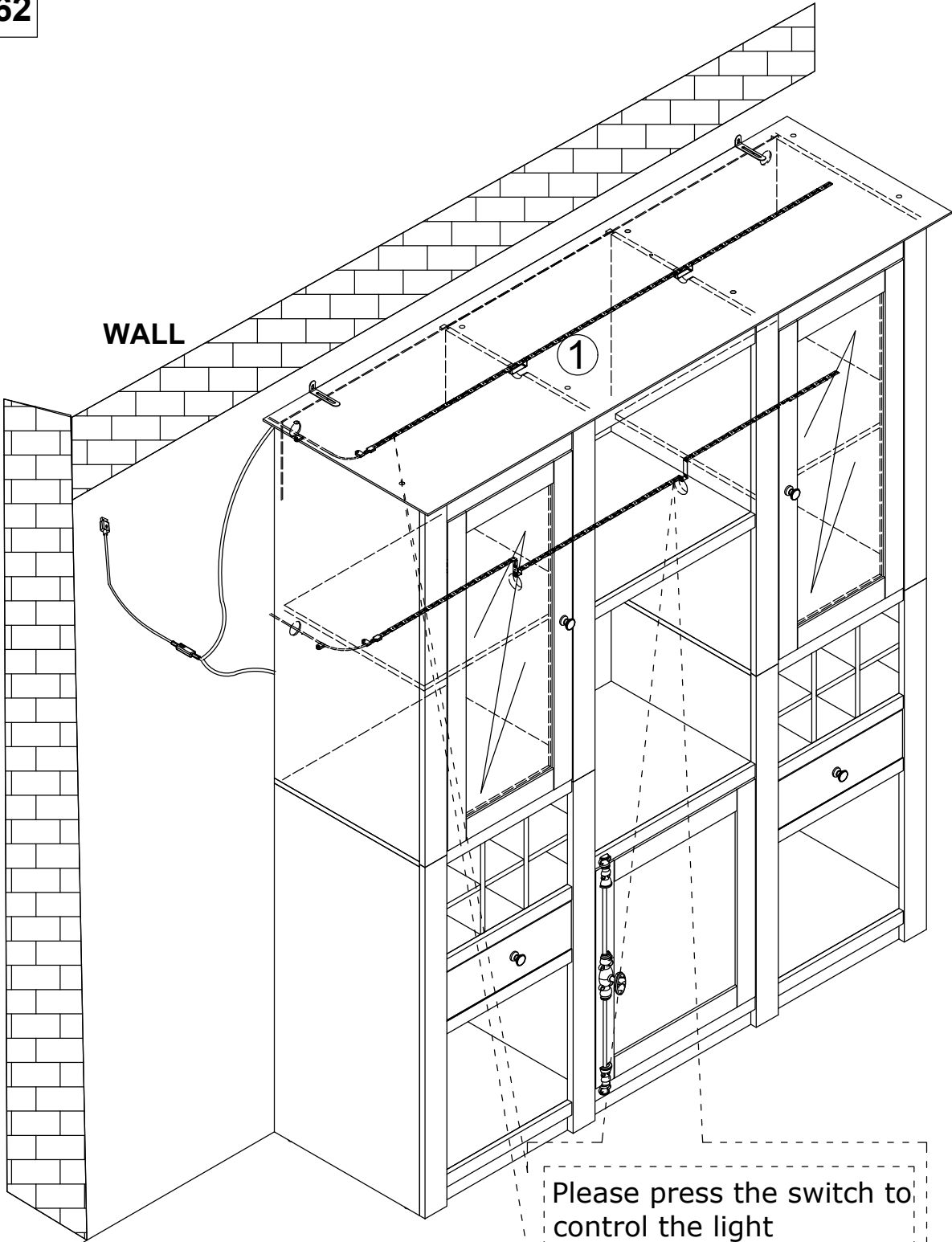
Q-1	x1

61

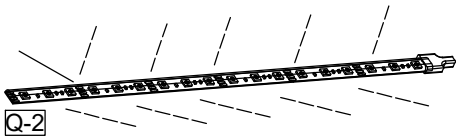
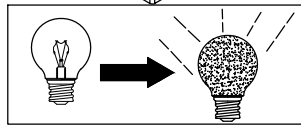




WALL



Please press the switch to control the light



Q-3	x1