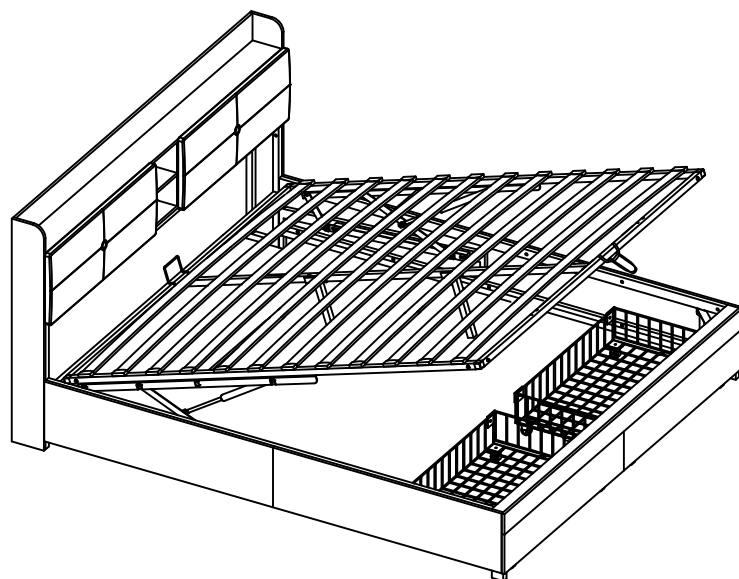
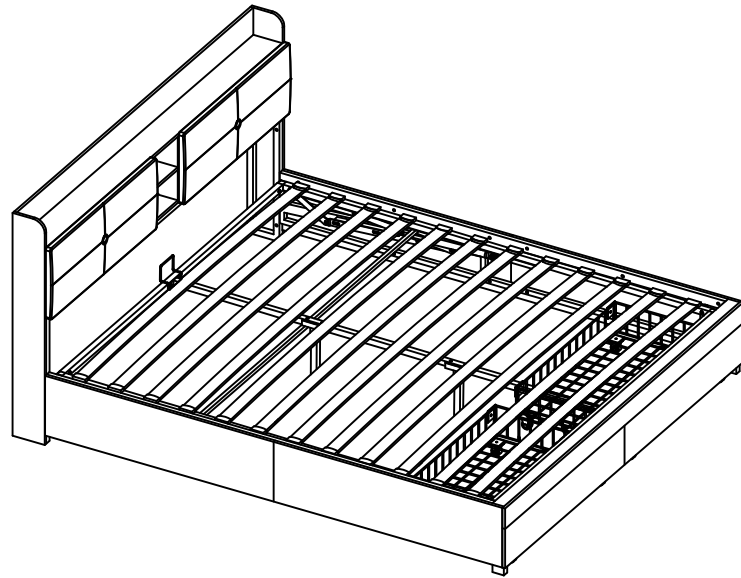


Assembly Instruction

Anleitung

Instructions de montage

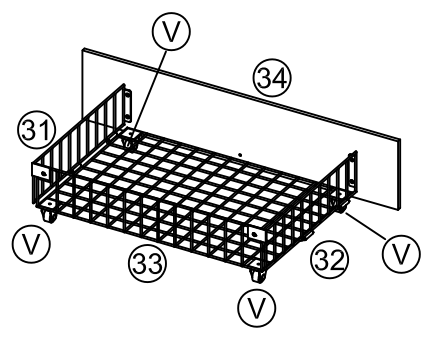
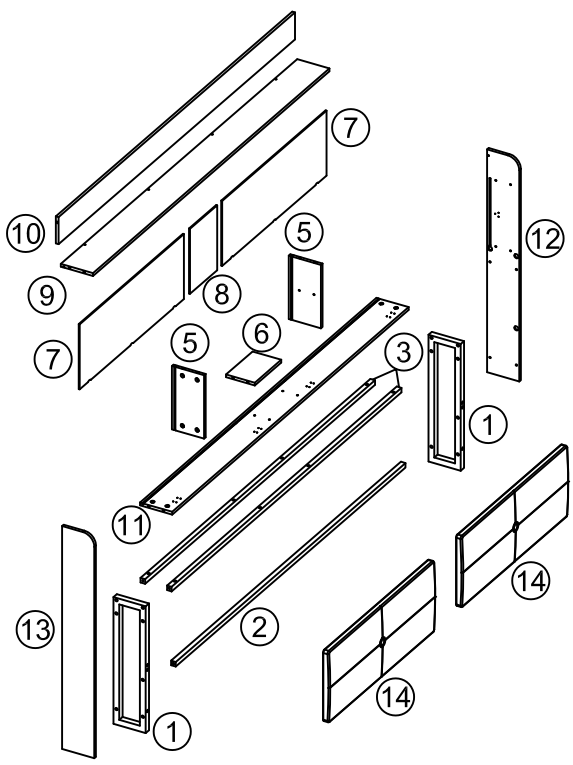
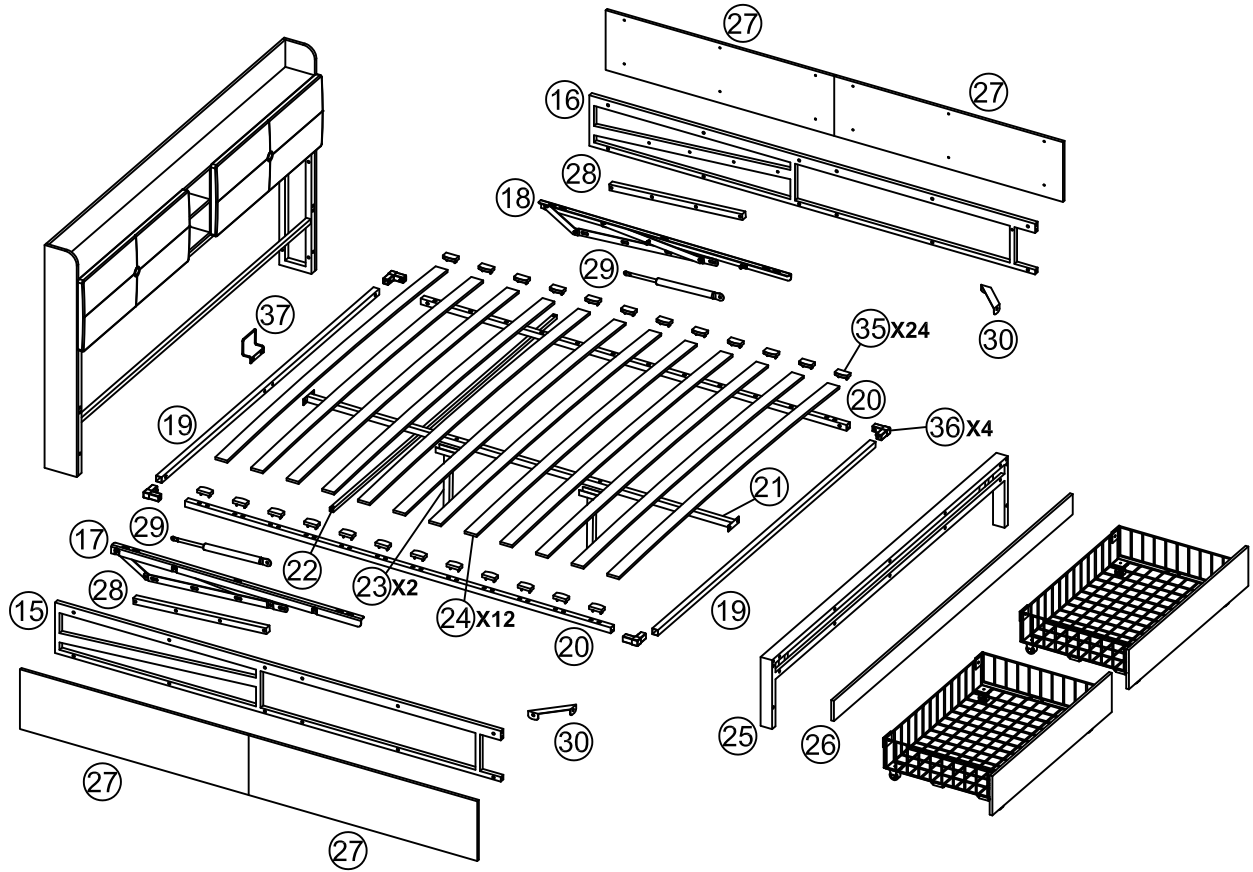
SKU:WF319420
SKU:WF319421
SKU:WF324689



Parts list

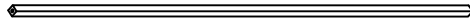
Teileliste

Liste des pièces



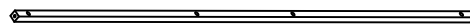
Parts list for WF319420
Teileliste für WF319420
Liste des pièces pour WF319420

②



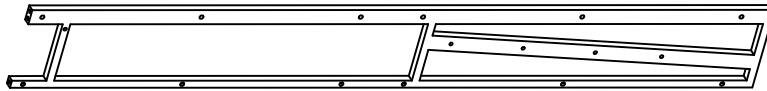
X1

③



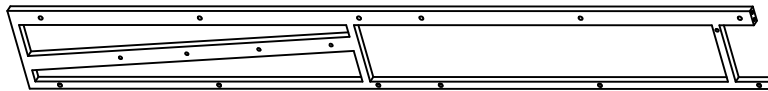
X2

⑮



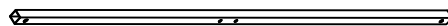
X1

⑯



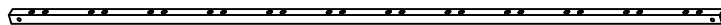
X1

⑰



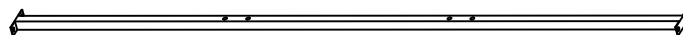
X2

⑳



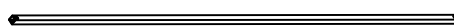
X2

㉑



X1

㉒


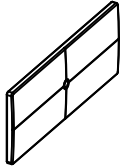
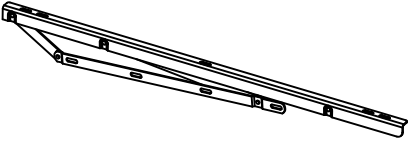
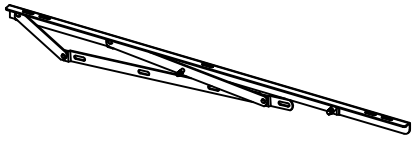
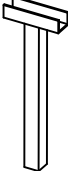
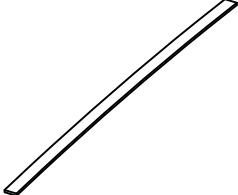

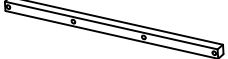
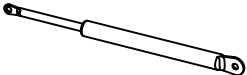

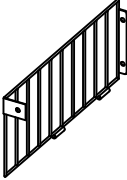
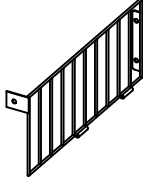
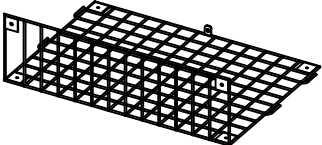

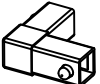
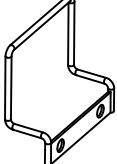


X1

Parts list for WF319421

Teileliste für WF319421

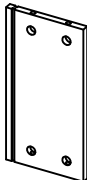
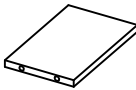

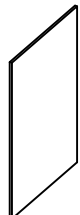
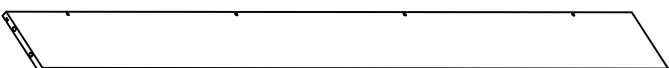
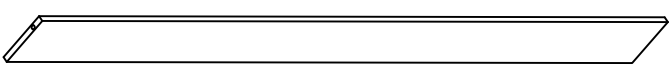
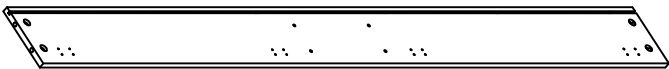
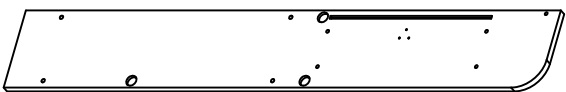
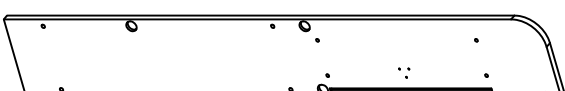
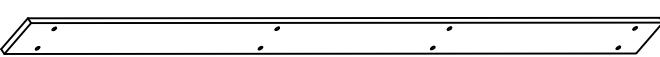
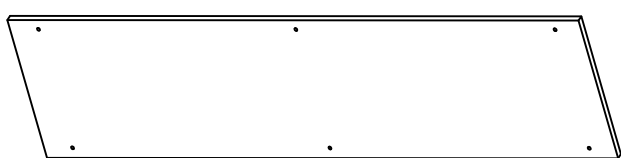
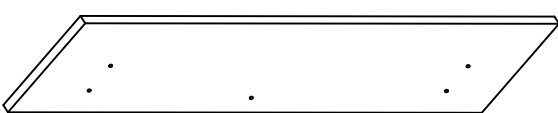
Liste des pièces pour WF319421

<p>①</p>  <p>X2</p>	<p>⑭</p>  <p>X2</p>
<p>⑰</p>  <p>X1</p>	<p>⑱</p>  <p>X1</p>
<p>⑳</p>  <p>X2</p>	<p>㉔</p>  <p>X12</p>
<p>㉕</p>  <p>X1</p>	<p>㉘</p>  <p>X2</p>
<p>㉙</p>  <p>X2</p>	<p>㉛</p>  <p>X2</p>
<p>㉜</p>  <p>X2</p>	<p>㉝</p>  <p>X2</p>
<p>㉞</p>  <p>X2</p>	<p>㉟</p>  <p>X24</p>
<p>㊱</p>  <p>X4</p>	<p>㊲</p>  <p>X1</p>

Parts list for WF324689

Teileliste für WF324689

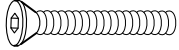
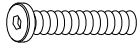
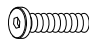





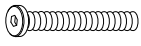

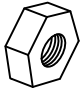


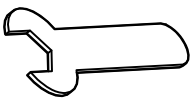
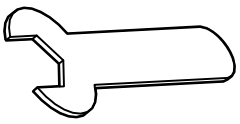
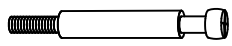

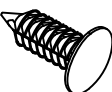
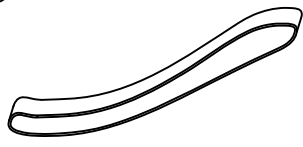
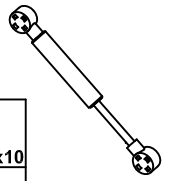

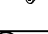


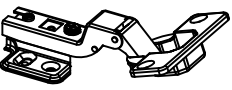


Liste des pièces pour WF324689

<p>⑤</p>  <p>X2</p>	<p>⑥</p>  <p>X1</p>
<p>⑦</p>  <p>X2</p>	<p>⑧</p>  <p>X1</p>
<p>⑨</p>  <p>X1</p>	<p>⑩</p>  <p>X1</p>
<p>⑪</p>  <p>X1</p>	<p>⑫</p>  <p>X1</p>
<p>⑬</p>  <p>X1</p>	<p>⑳</p>  <p>X1</p>
<p>㉓</p>  <p>X4</p>	<p>㉔</p>  <p>X2</p>

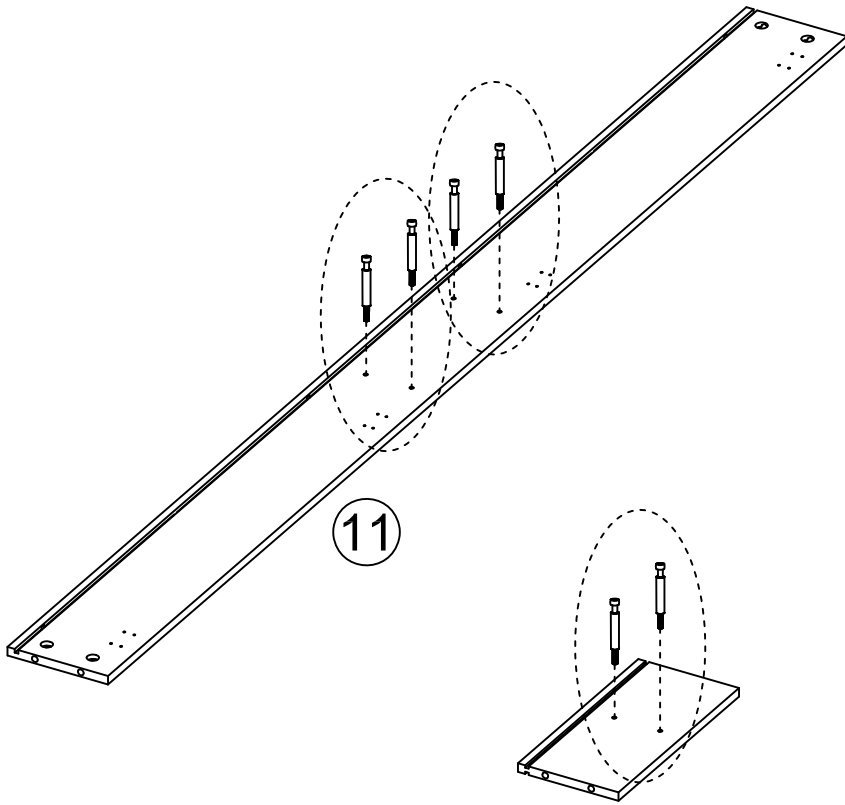
Hardware list for WF319421

Hardware für WF319421

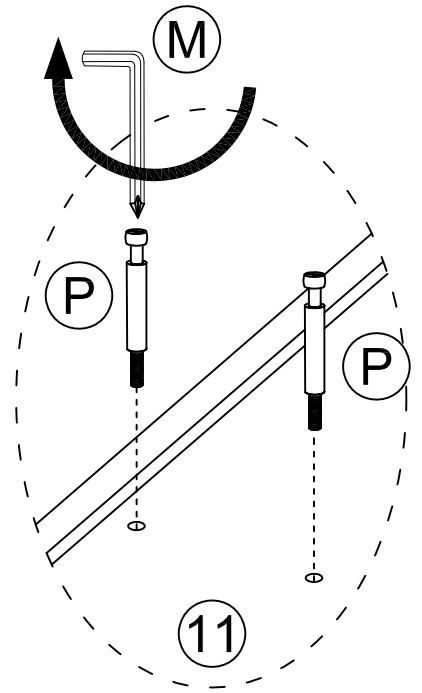
Liste du matériel pour WF319421



<p>(A)</p>  <p>M8×70mm</p> <p>X6</p>	<p>(B)</p>  <p>M8×45mm</p> <p>X20</p>	<p>(C)</p>  <p>M8×35mm</p> <p>X4</p>	<p>(D)</p>  <p>M6×12mm</p> <p>X14</p>
<p>(E)</p>  <p>M6×20mm</p> <p>X16</p>	<p>(F)</p>  <p>M6×25mm</p> <p>X4</p>	<p>(G)</p>  <p>M6×30mm</p> <p>X32</p>	<p>(H)</p>  <p>M6×35mm</p> <p>X10</p>
<p>(I)</p>  <p>M6×60mm</p> <p>X4</p>	<p>(J)</p>  <p>M6</p> <p>X4</p>	<p>(K)</p>  <p>M8</p> <p>X4</p>	<p>(L)</p>  <p>M4</p> <p>X1</p>
<p>(M)</p>  <p>M5</p> <p>X1</p>	<p>(N)</p>  <p>M6</p> <p>X1</p>	<p>(O)</p>  <p>M8</p> <p>X1</p>	<p>(P)</p>  <p>X26</p>
<p>(Q)</p>  <p>X26</p>	<p>(R)</p>  <p>X8</p>	<p>(S)</p>  <p>X1</p>	<p>(T)</p>  <p>X2</p> <div style="display: flex; justify-content: space-around; font-size: 8px;"> <div style="text-align: center;"> <p>T1</p>  <p>x4</p> </div> <div style="text-align: center;"> <p>T2</p>  <p>x10</p> </div> <div style="text-align: center;"> <p>T3</p>  <p>x2</p> </div> <div style="text-align: center;"> <p>T4</p>  <p>x2</p> </div> </div>
<p>(U)</p>  <p>X4</p> <div style="display: flex; align-items: center; margin-top: 5px;">  <p style="margin-left: 5px;">x24</p> </div>	<p>(V)</p>  <p>X8</p>		

1

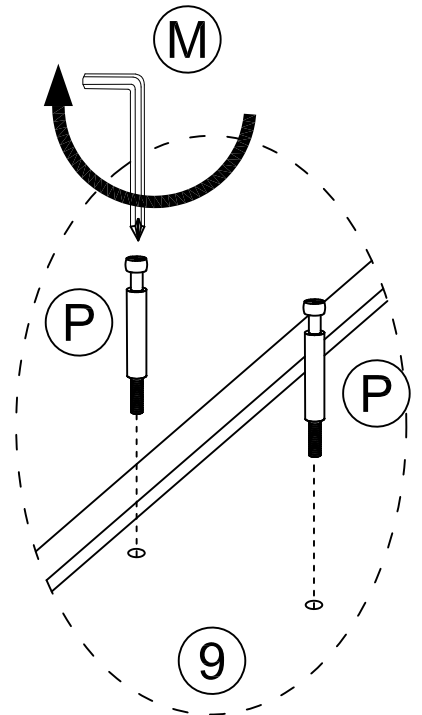
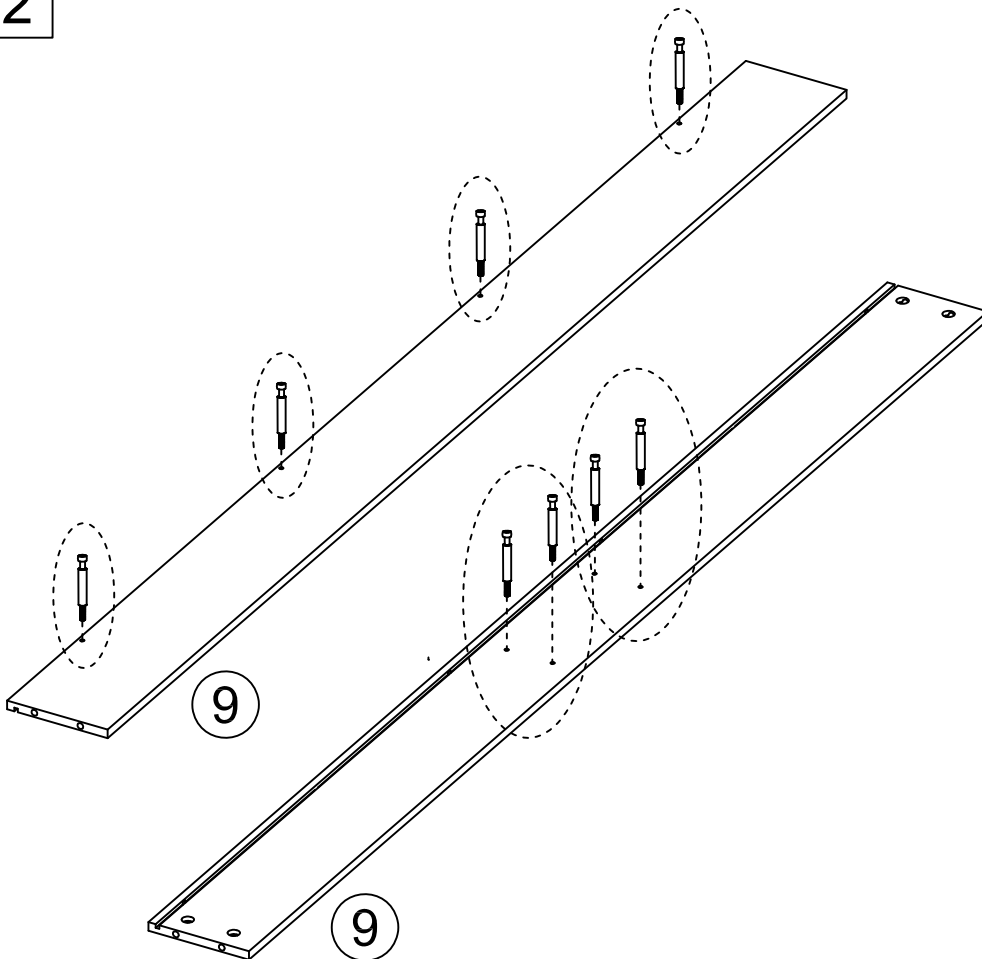




5 X2



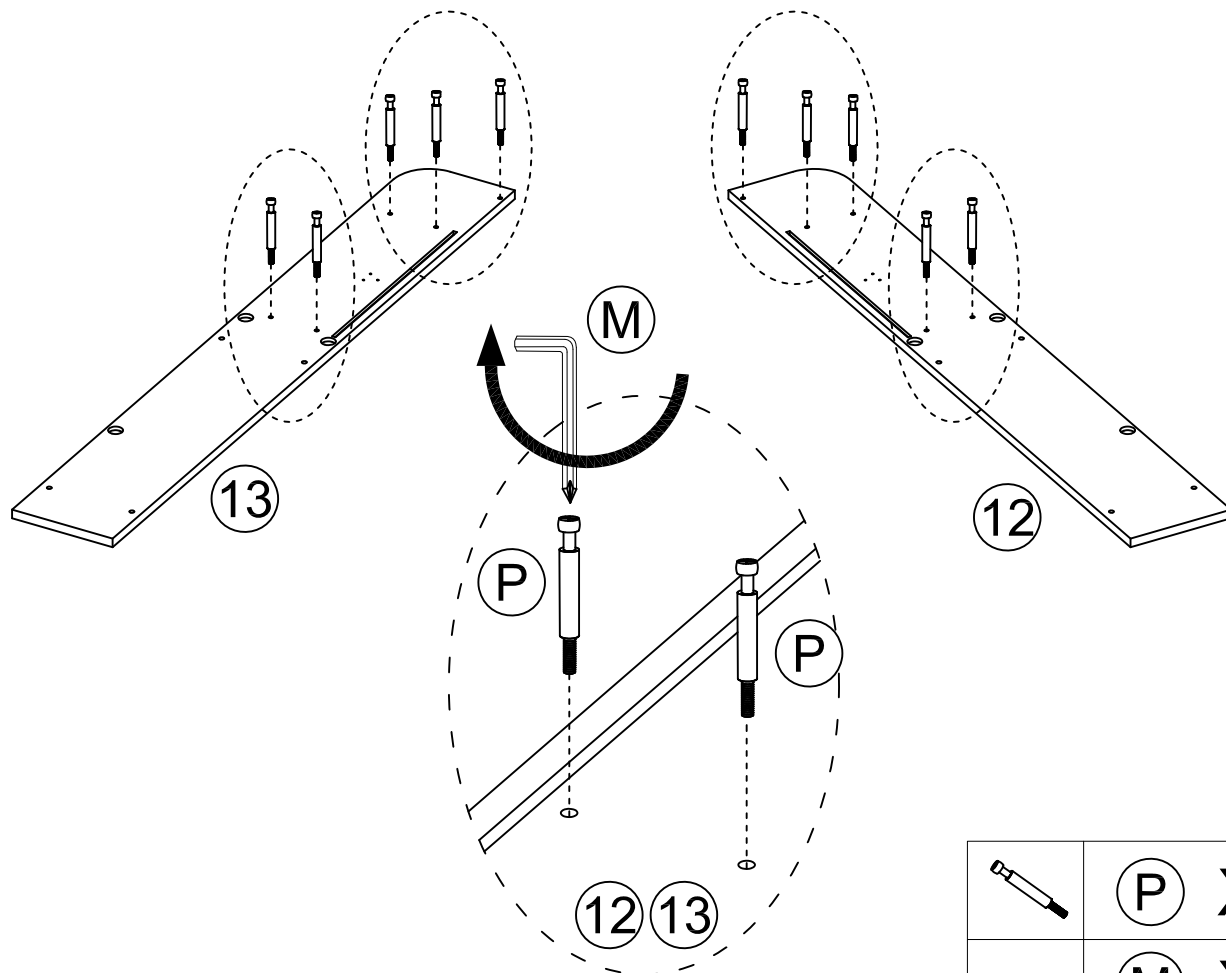
	(P) X8
	(M) X1



2



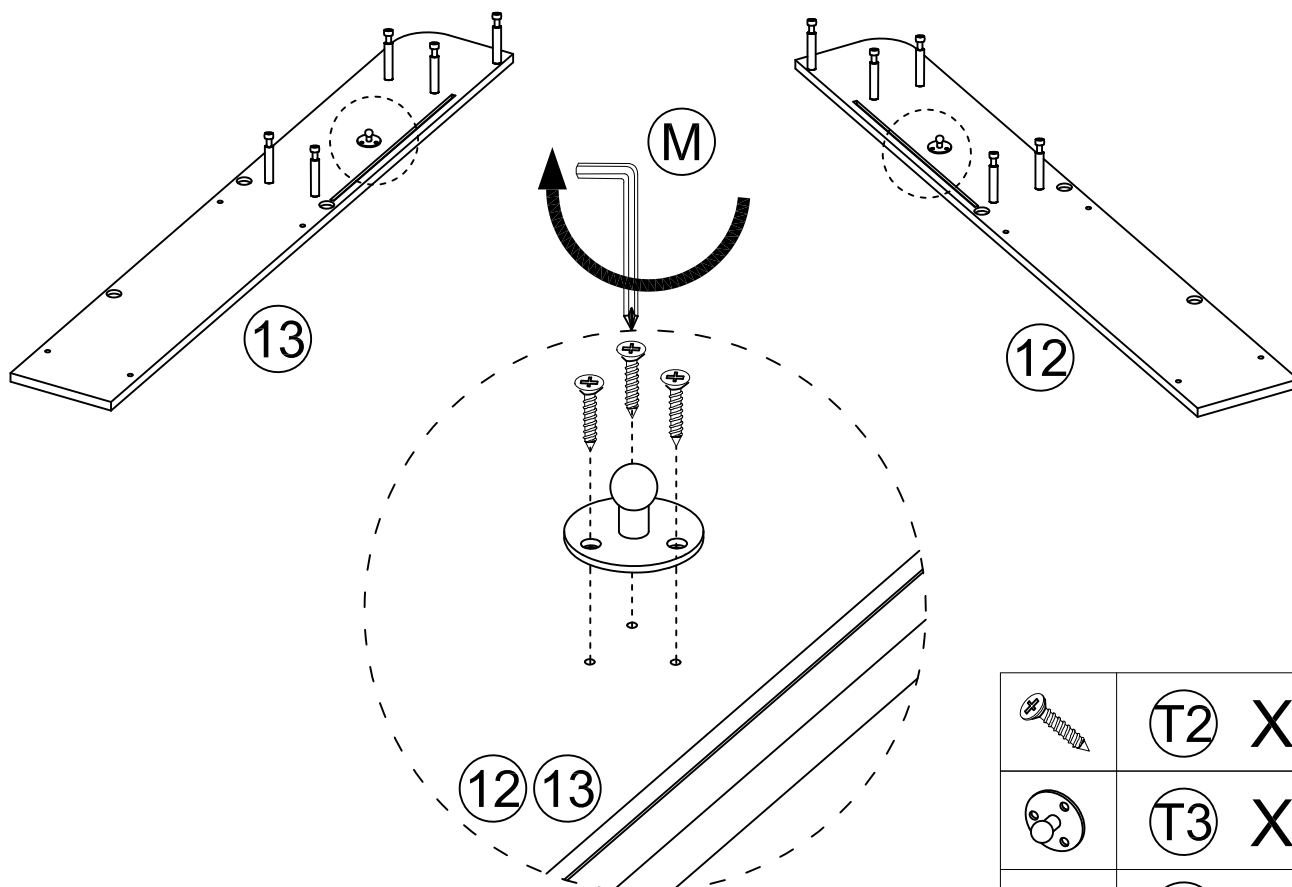
	(P) X8
	(M) X1




3



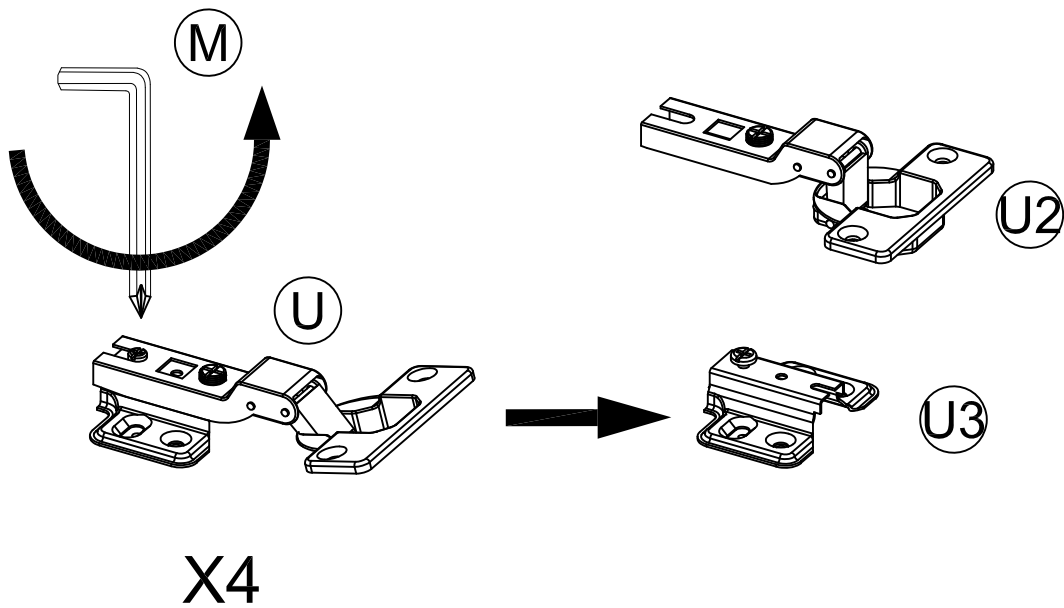
	(P) X10
	(M) X1



4



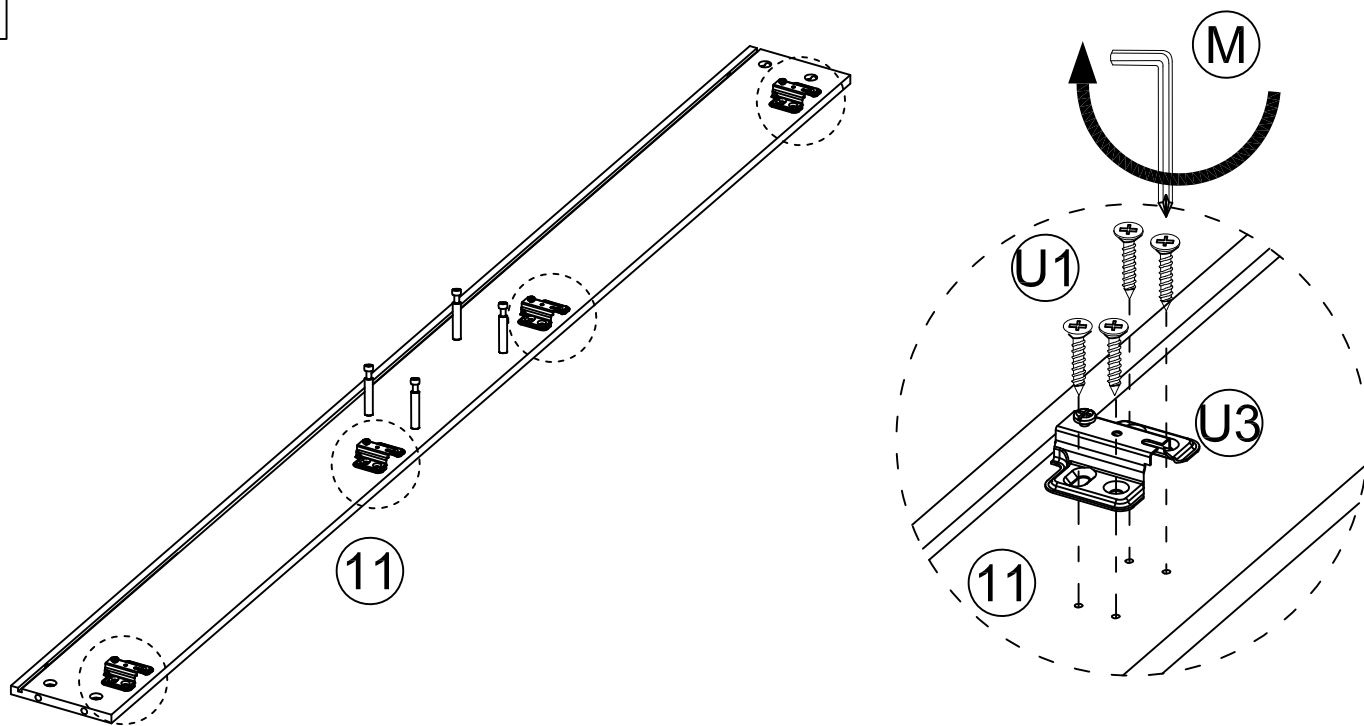
	(T2) X6
	(T3) X2
	(M) X1




5



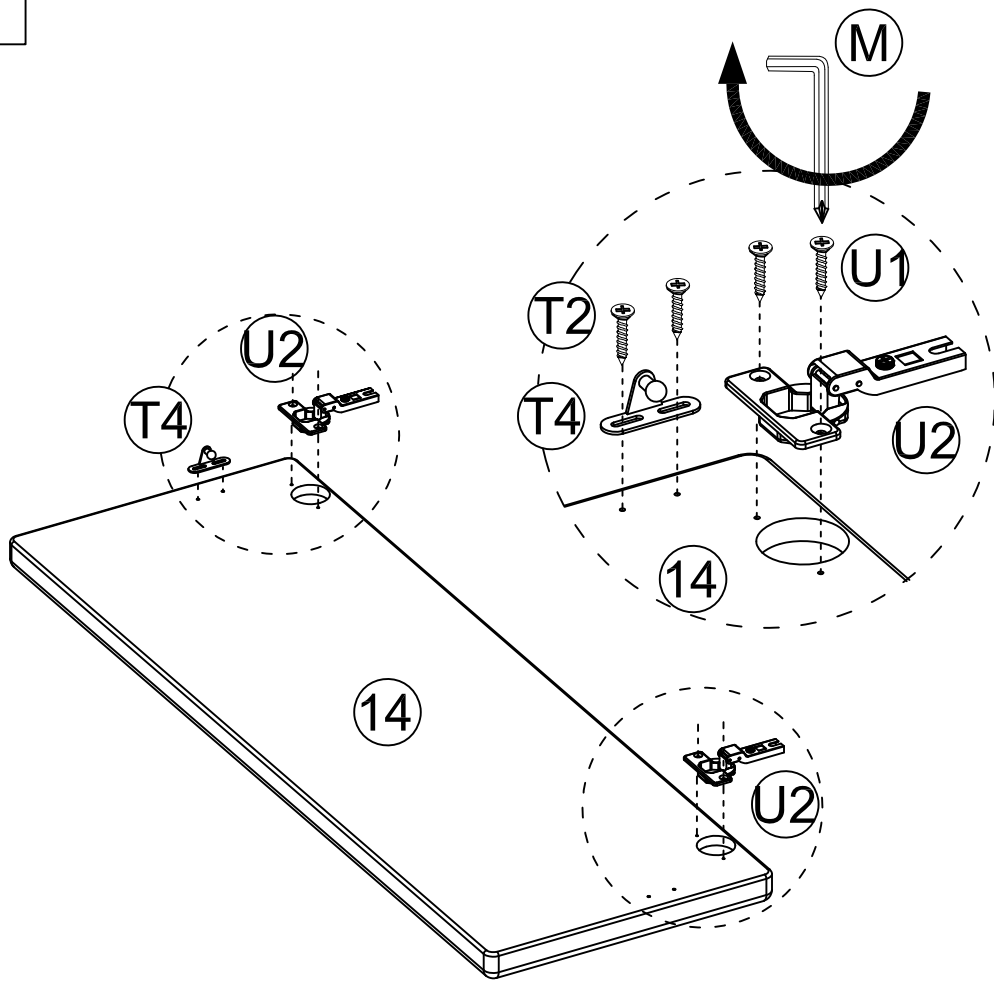
	U X4
	M X1

6



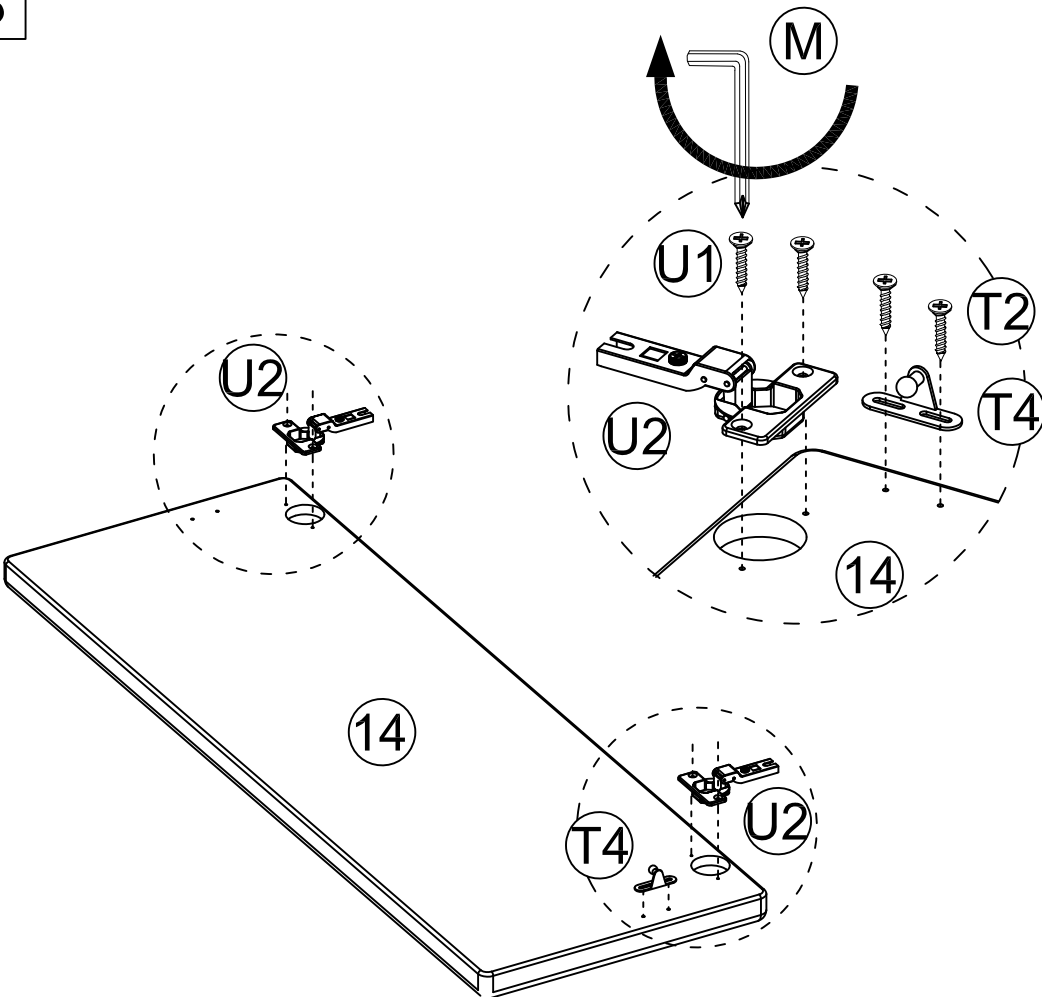
	U3 X4
	U1 X16
	M X1

7



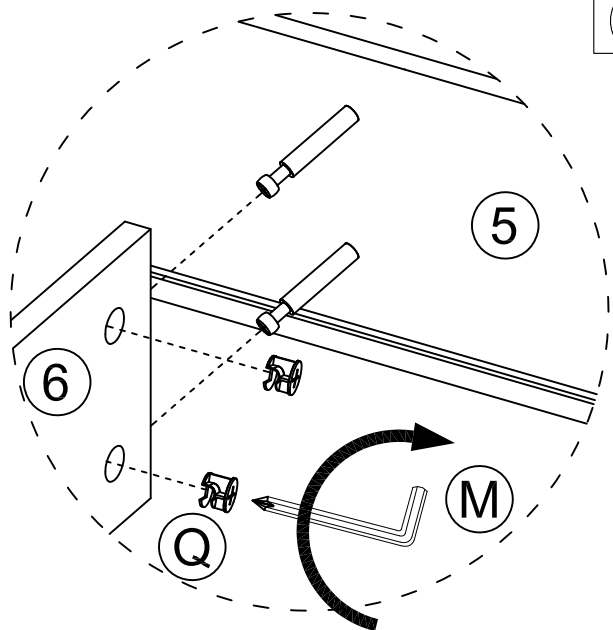
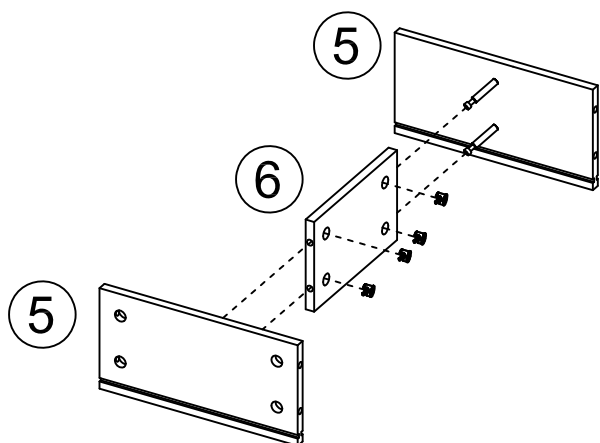
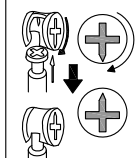
	U1 X4
	U2 X2
	T2 X2
	T4 X1
	M X1



8



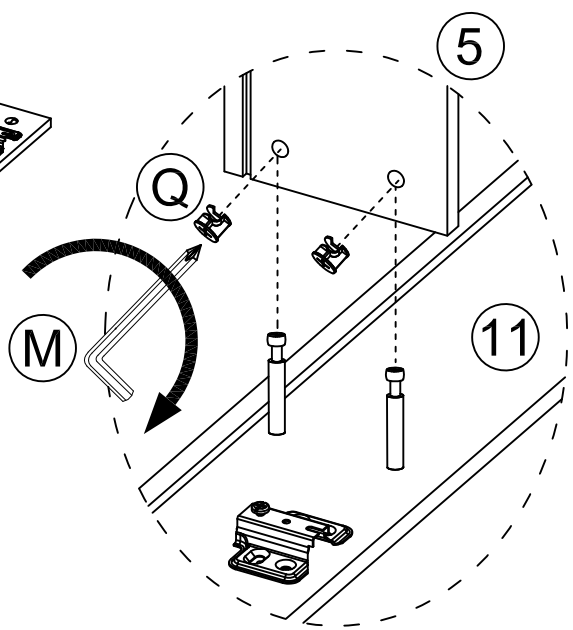
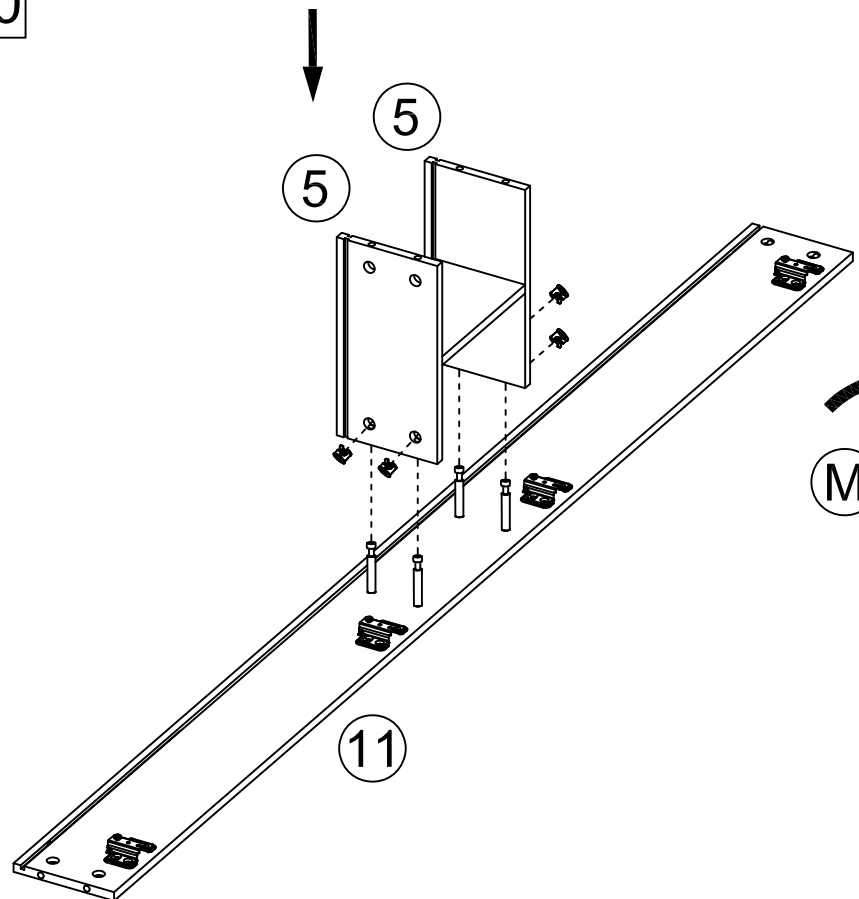
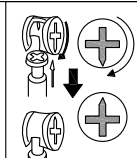
	U1 X4
	U2 X2
	T2 X2
	T4 X1
	M X1



9



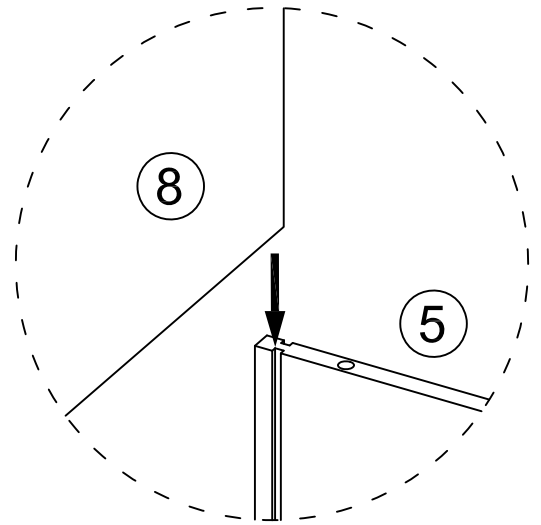
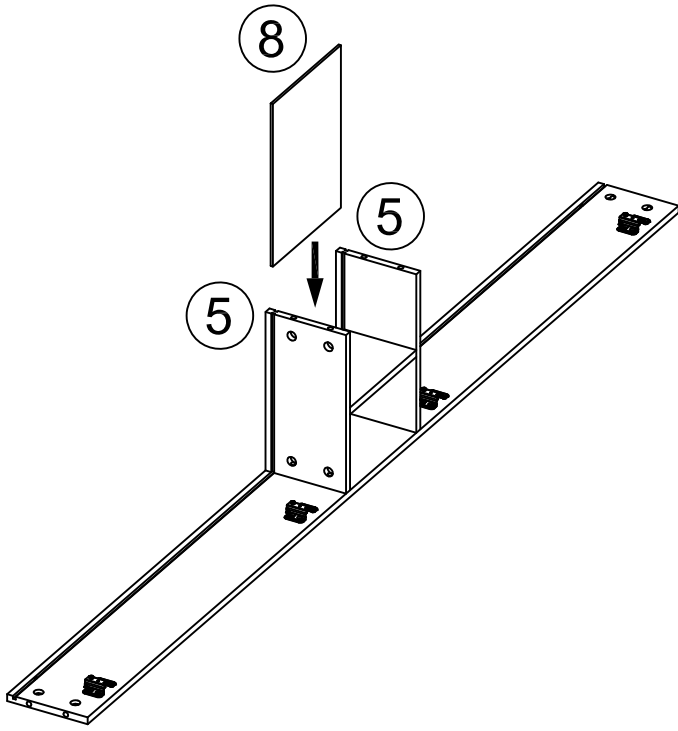
	Q X4
	M X1

10

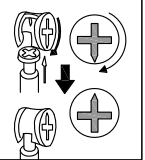
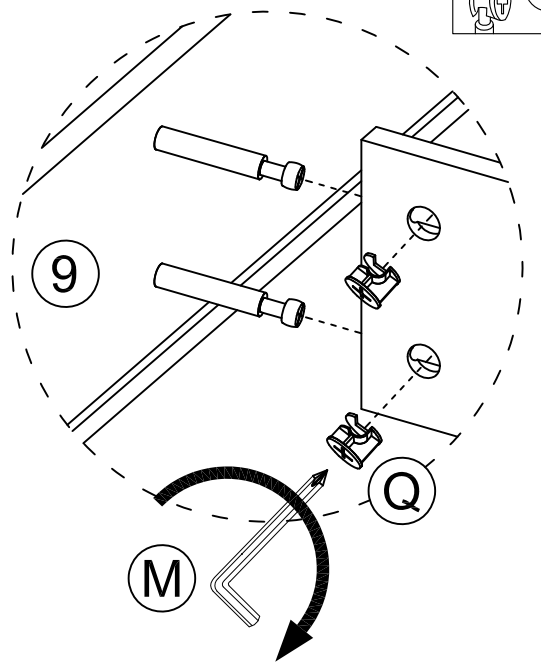
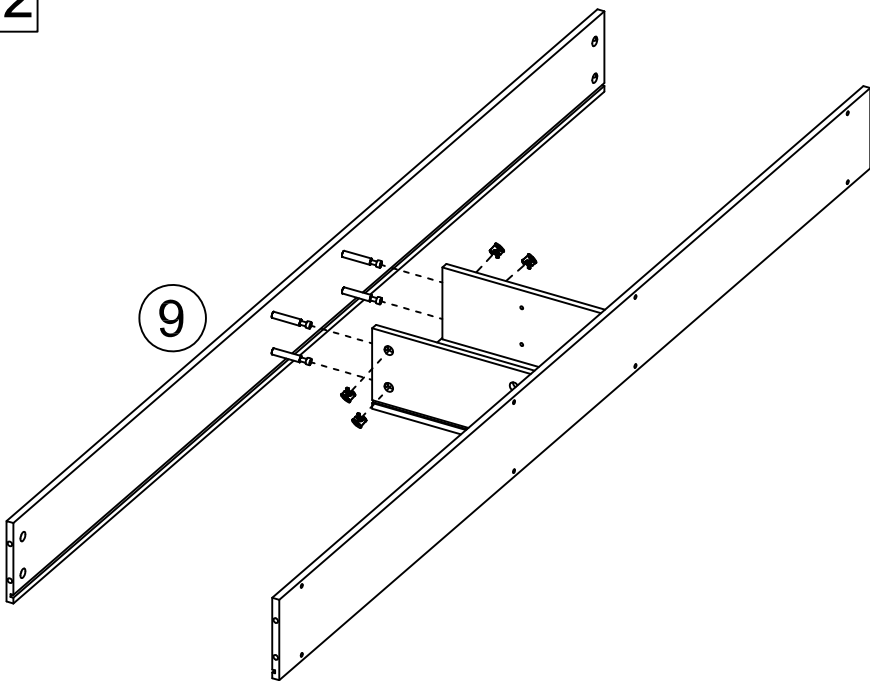




	Q X4
	M X1

11

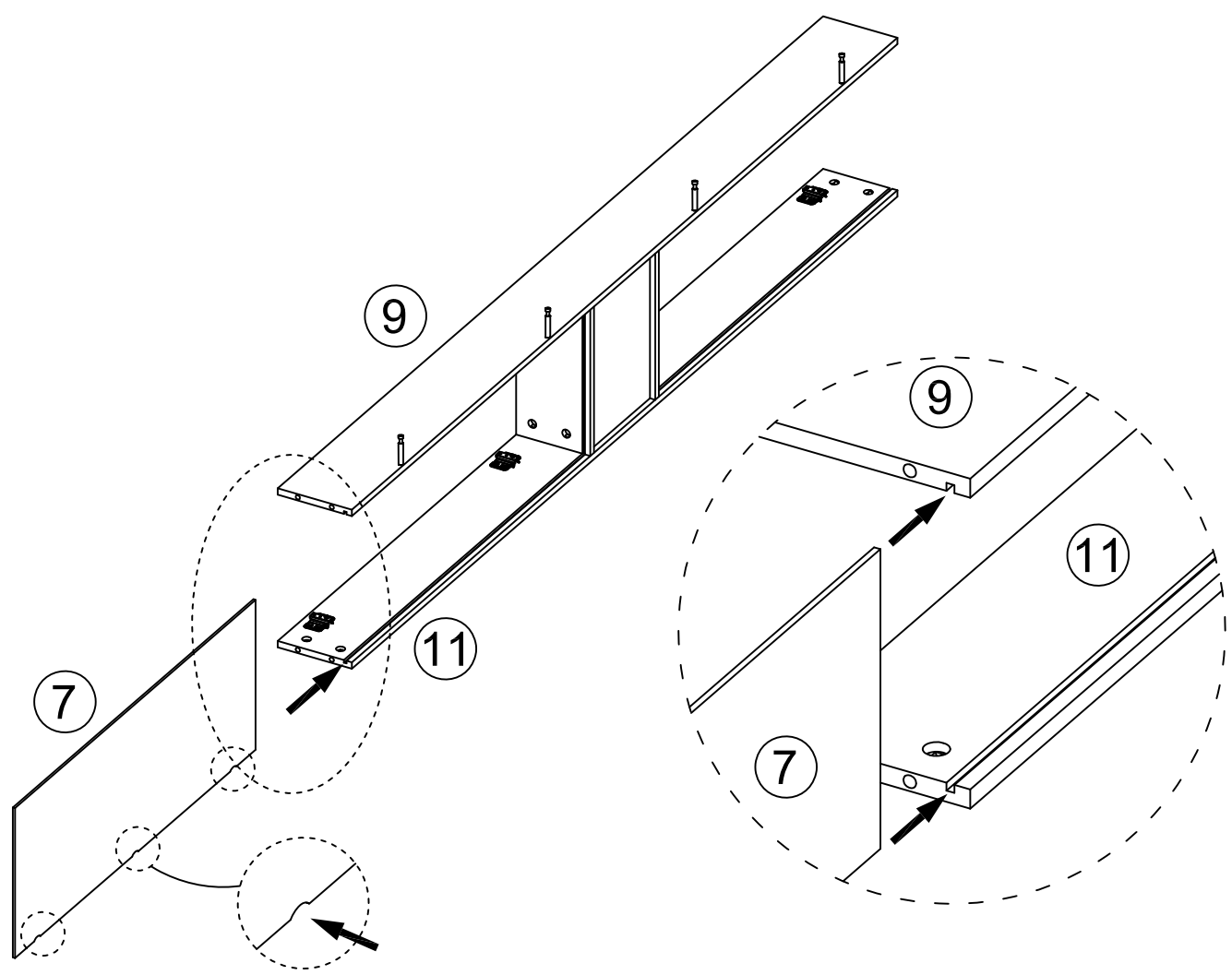


12

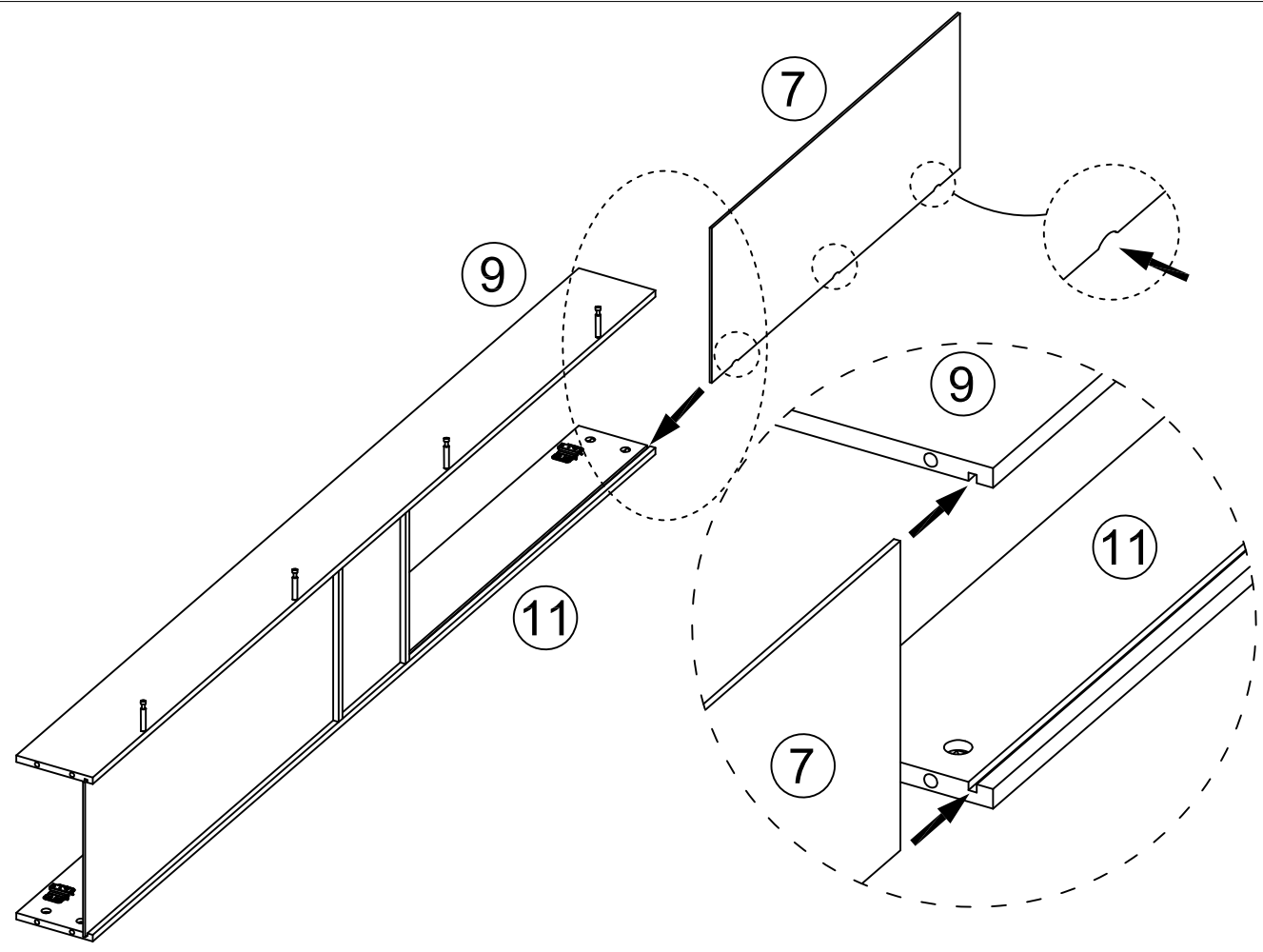


	Q X4
	M X1

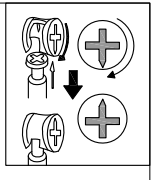
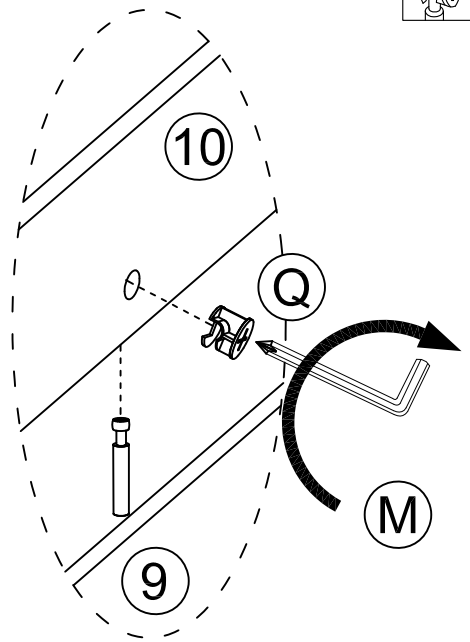
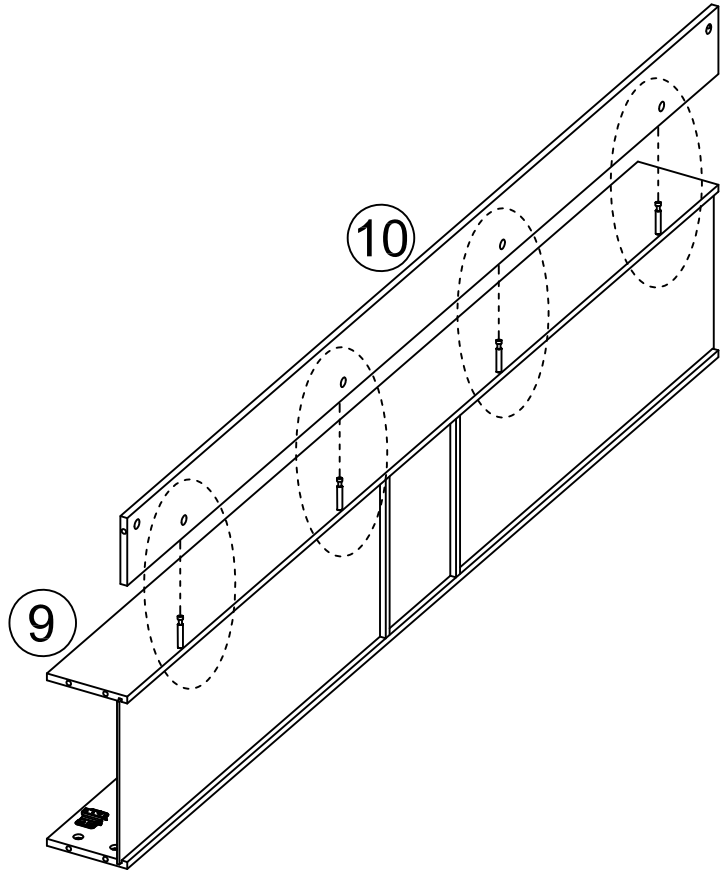
13





14

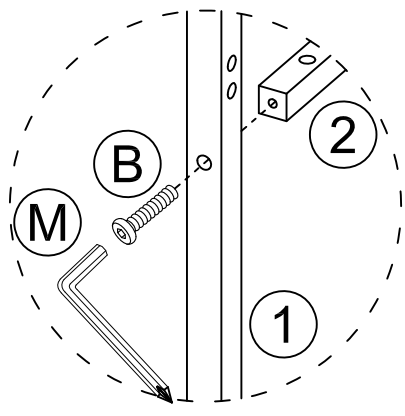
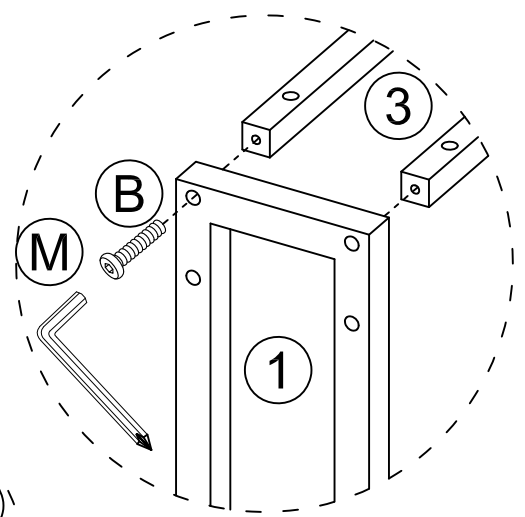
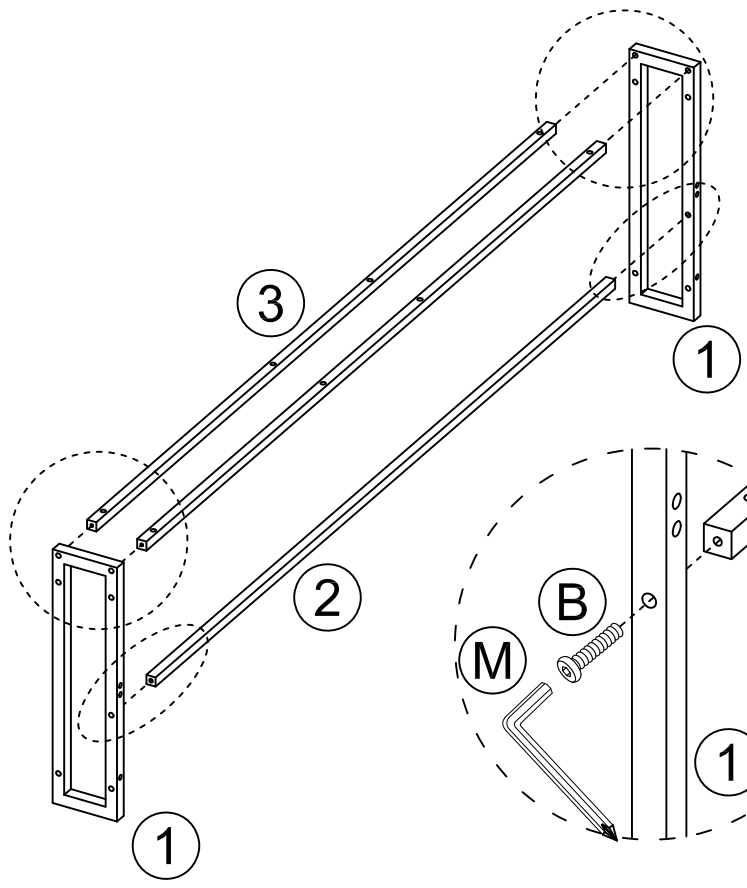




15



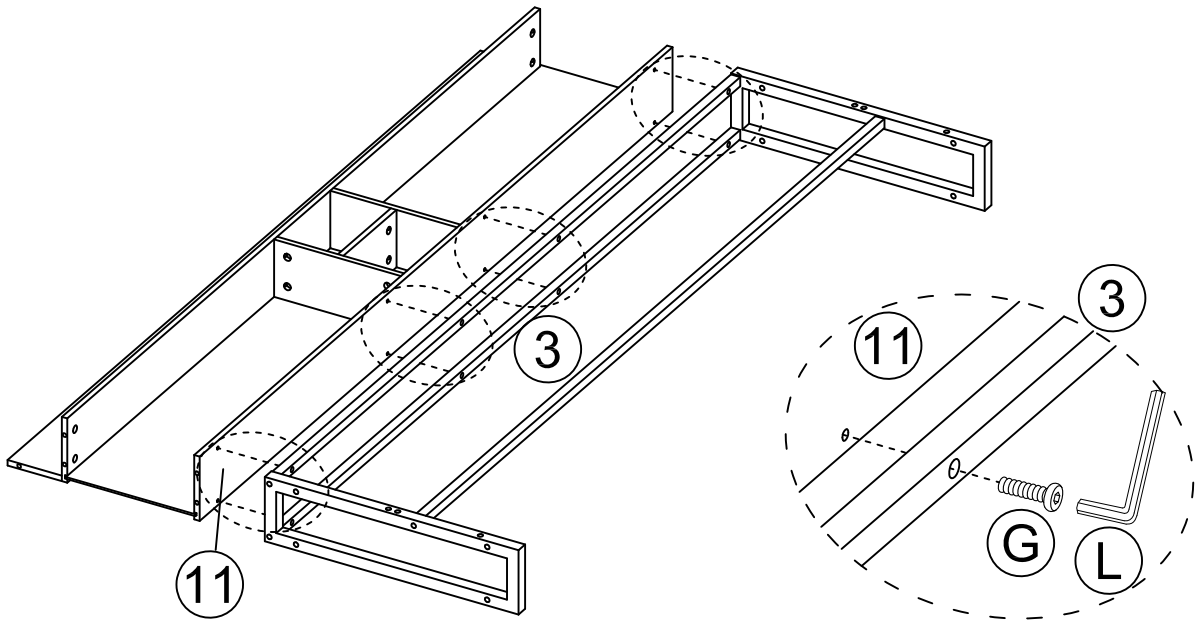
	Q X4
	M X1



16



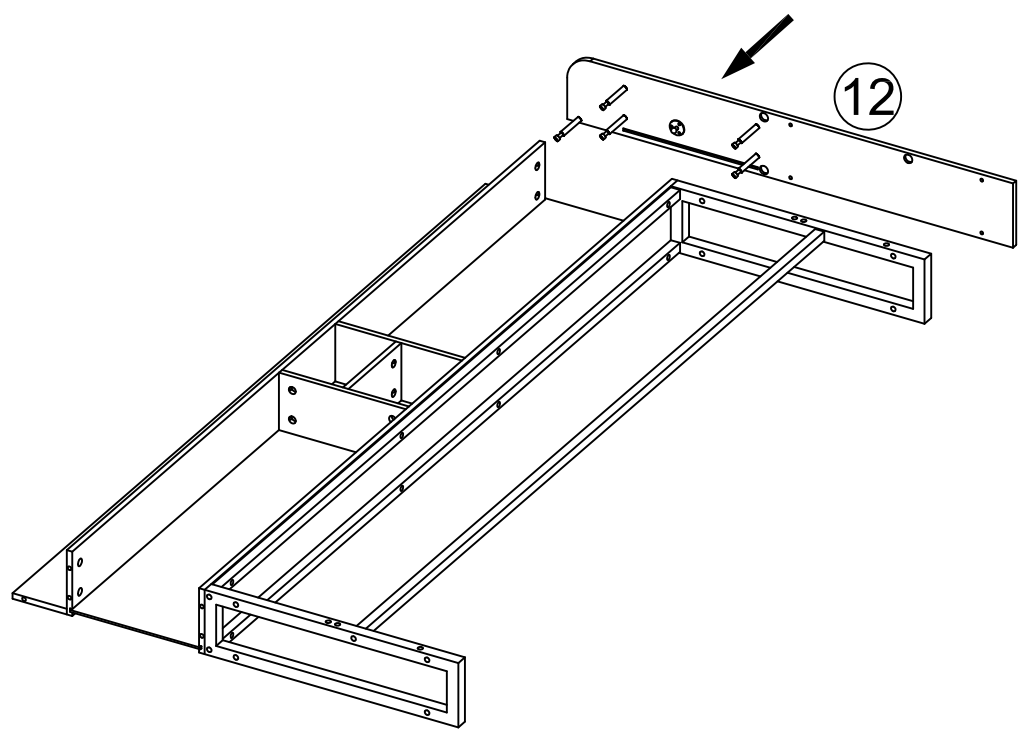
	B X6
	M X1

17

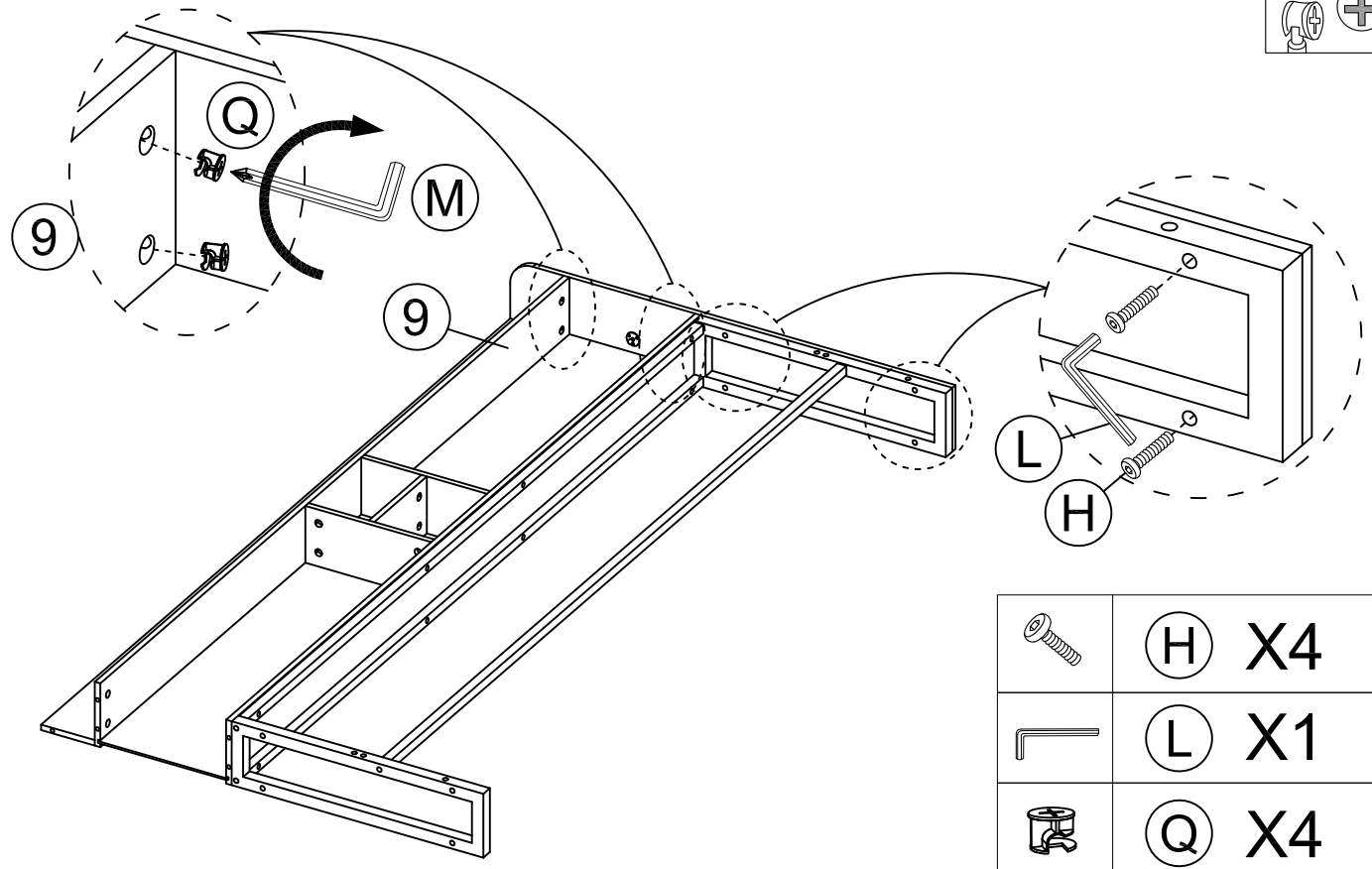
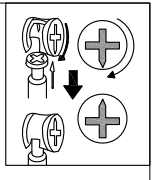


	G X8
	L X1

18

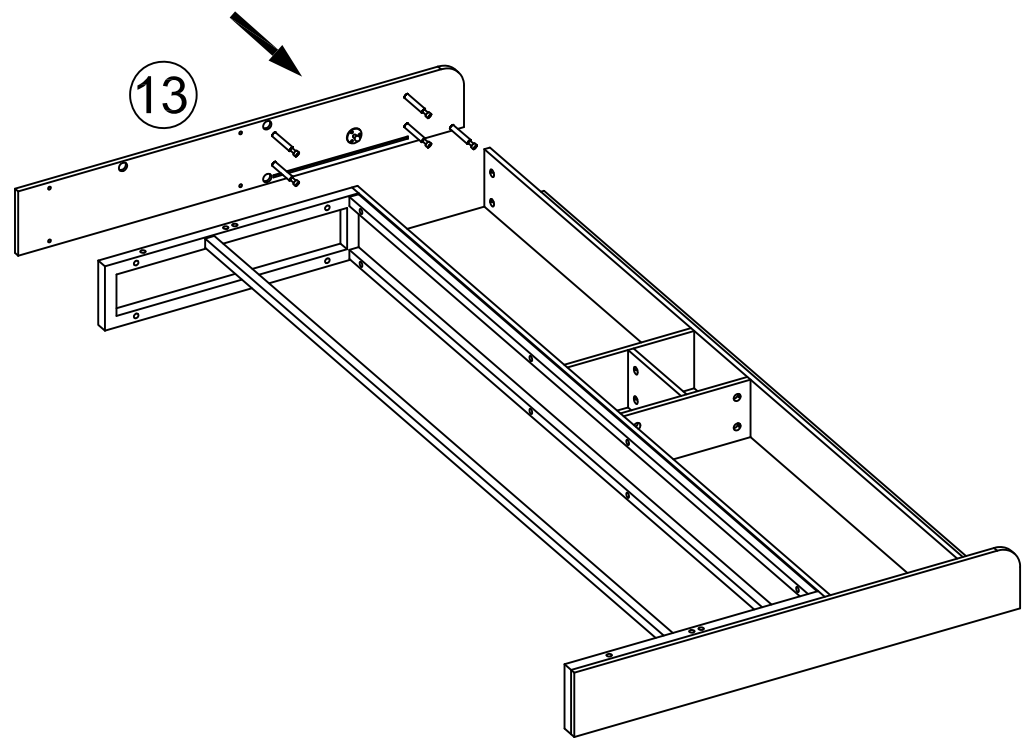


19

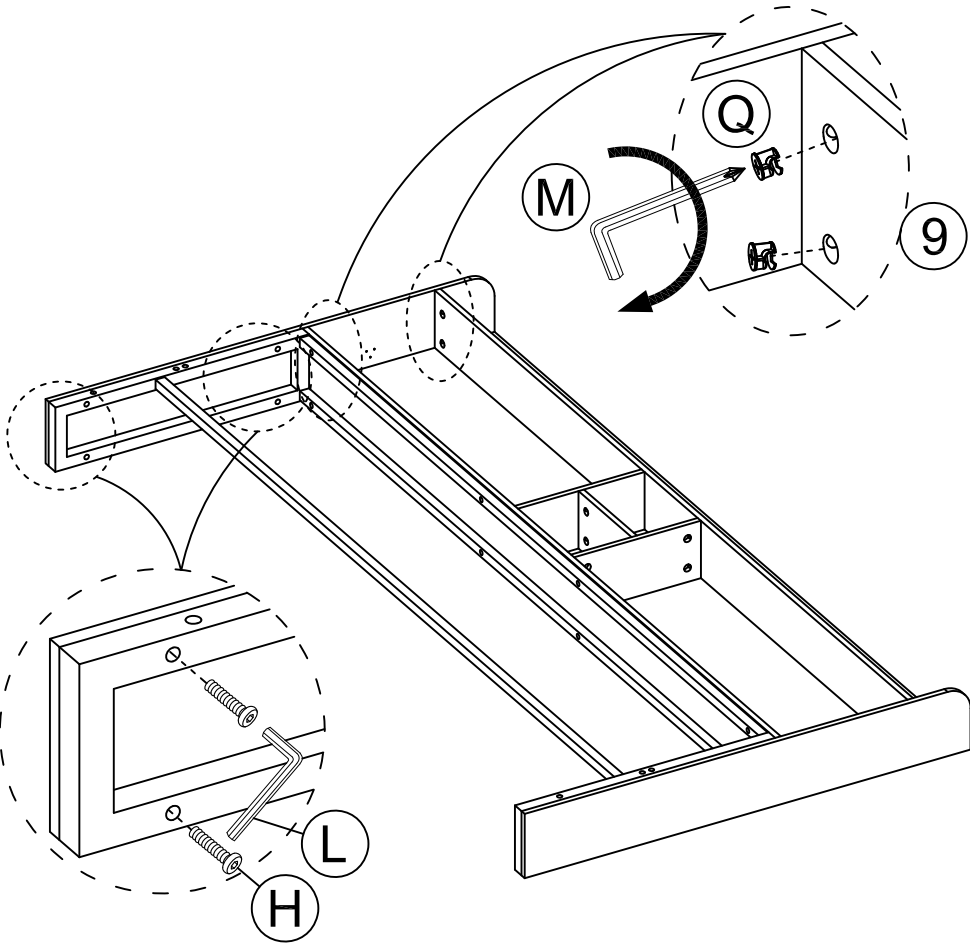
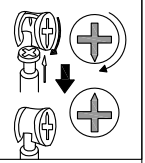


	(H) X4
	(L) X1
	(Q) X4
	(M) X1

20

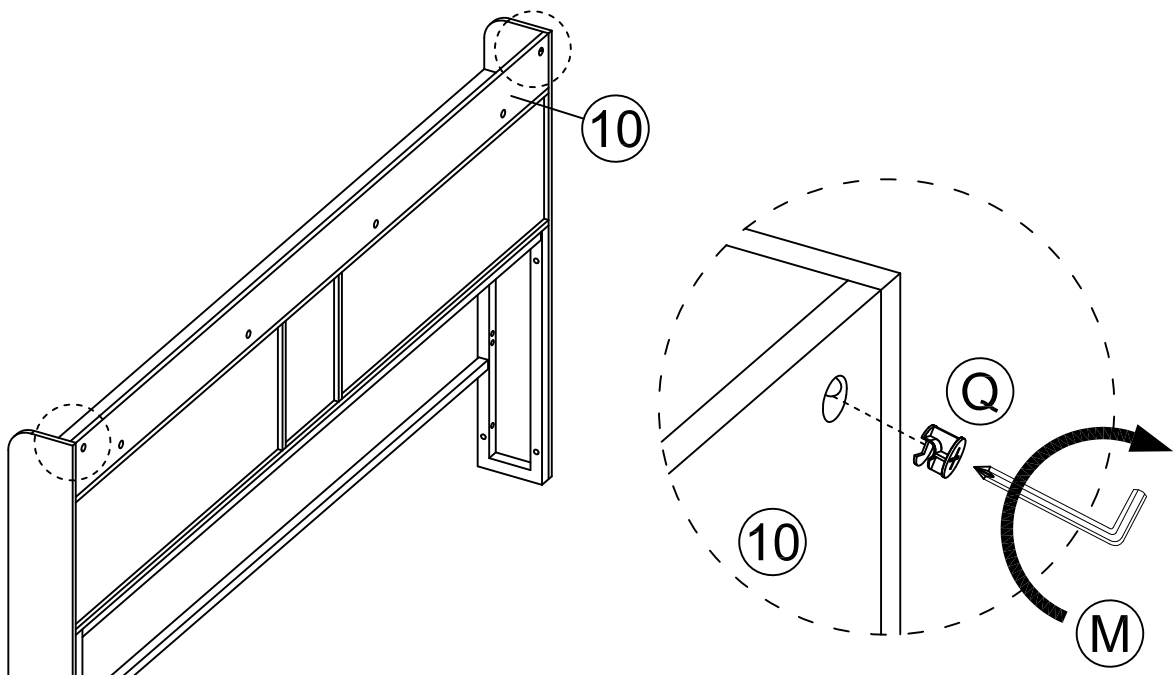
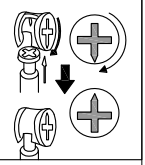


21



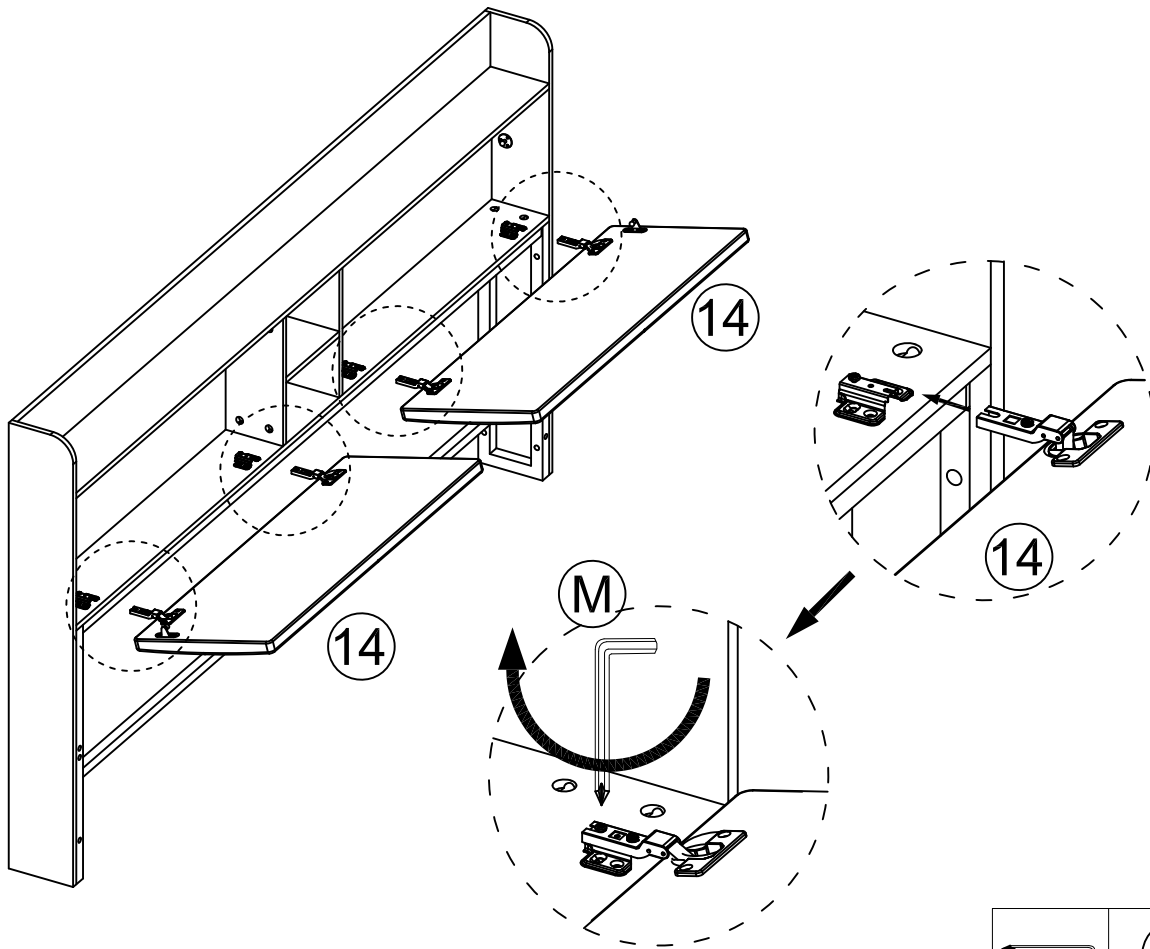
	(H) X4
	(L) X1
	(Q) X4
	(M) X1

22



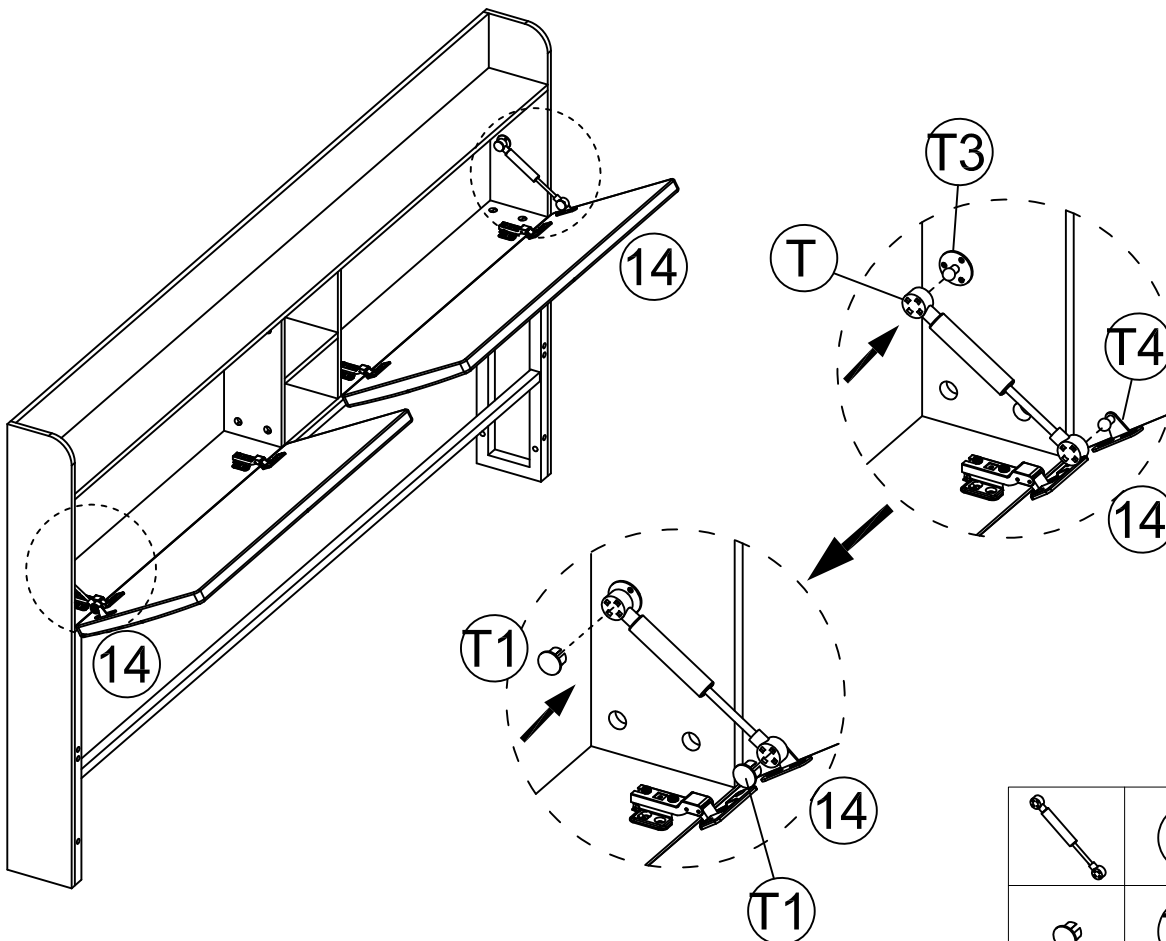
	(Q) X2
	(M) X1

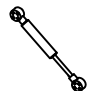

23



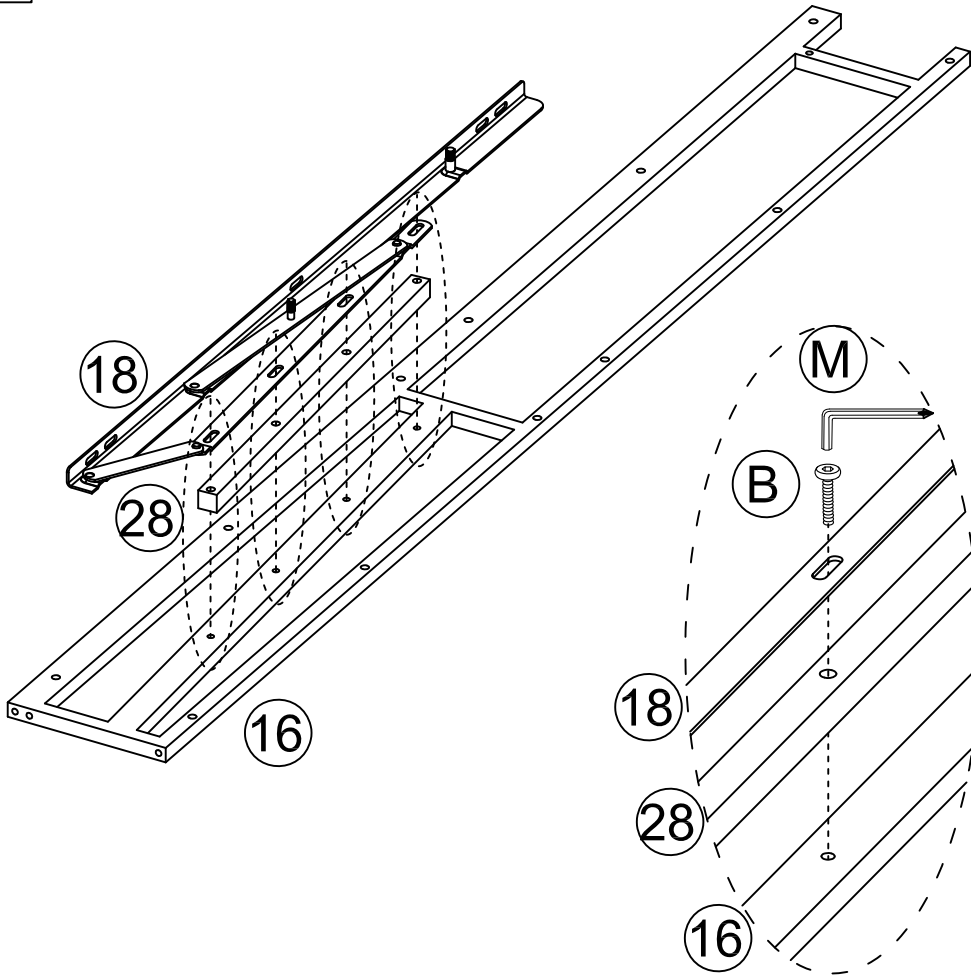
	(M) X1
---	--------



24



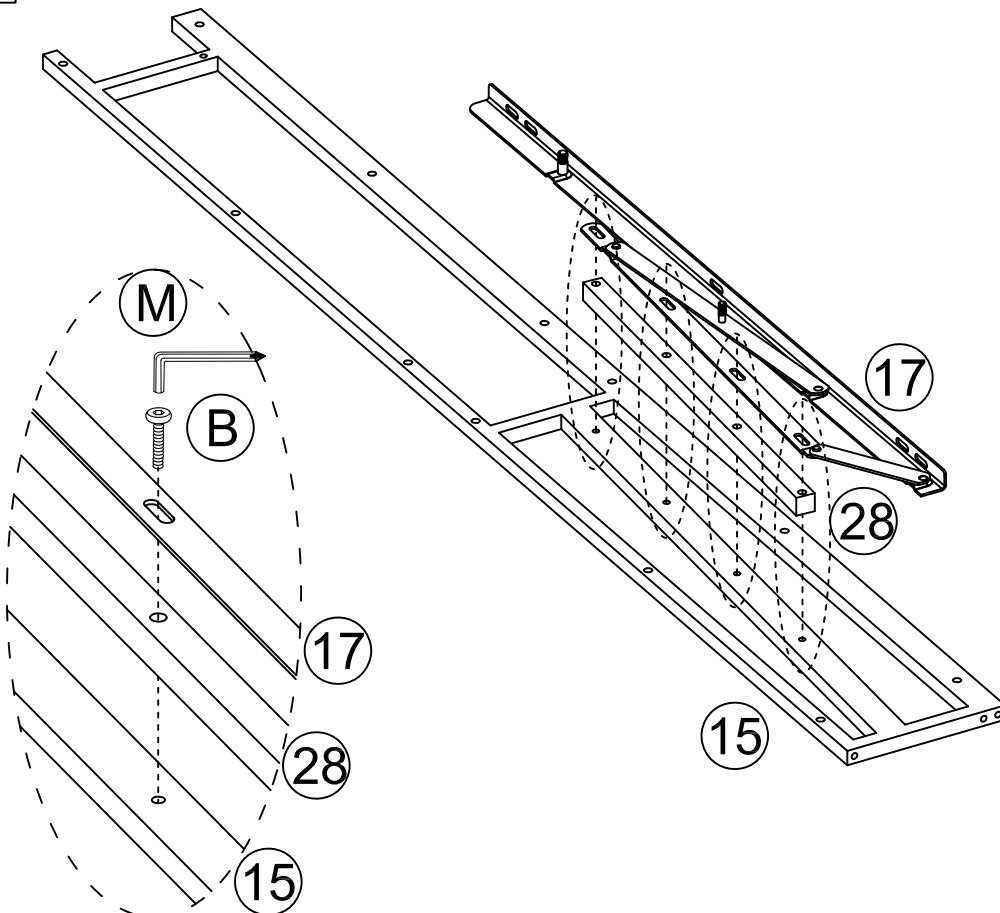
	(T) X2
	(T1) X4



25



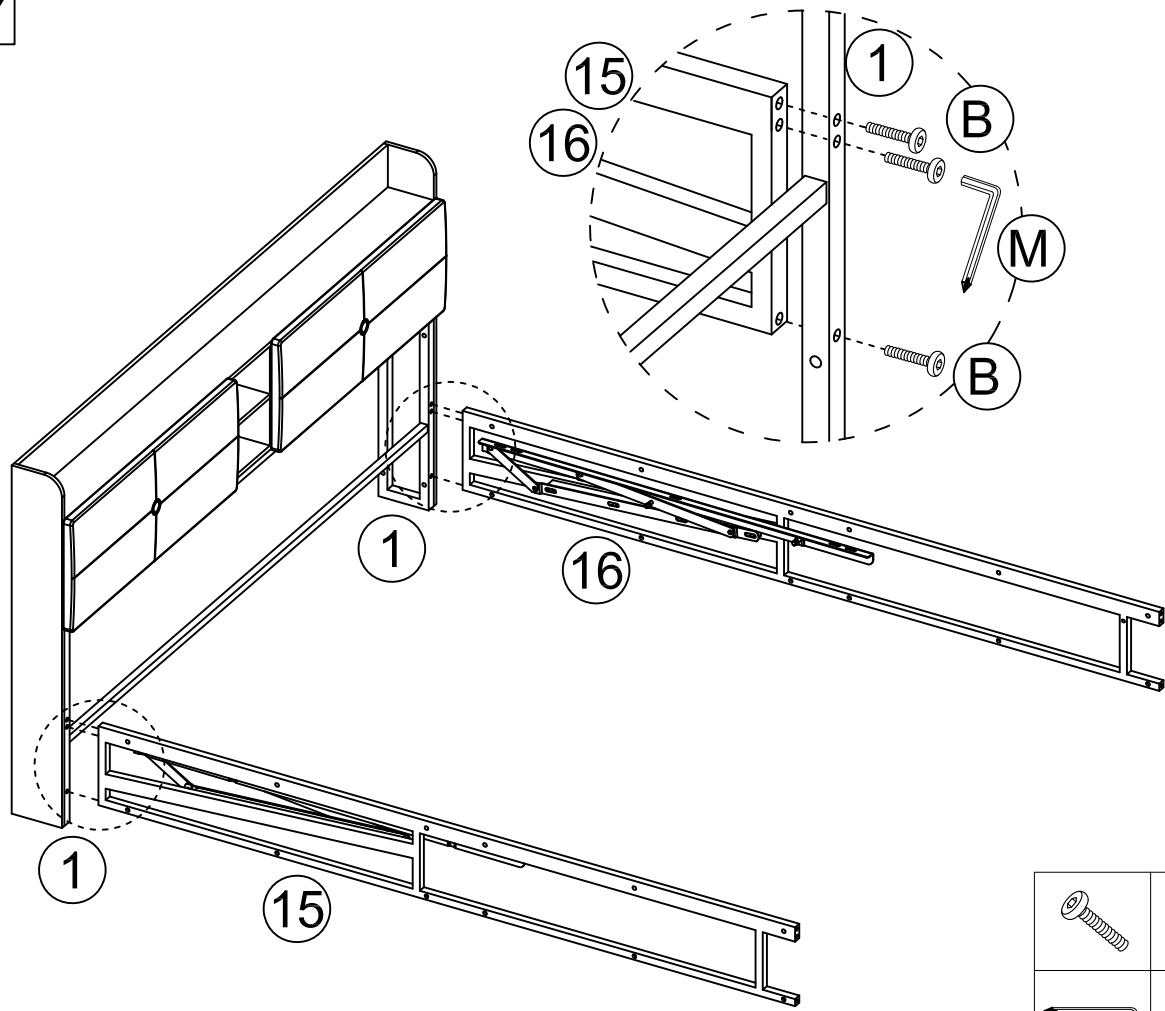
	ⓑ X4
	Ⓜ X1


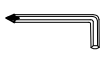
26



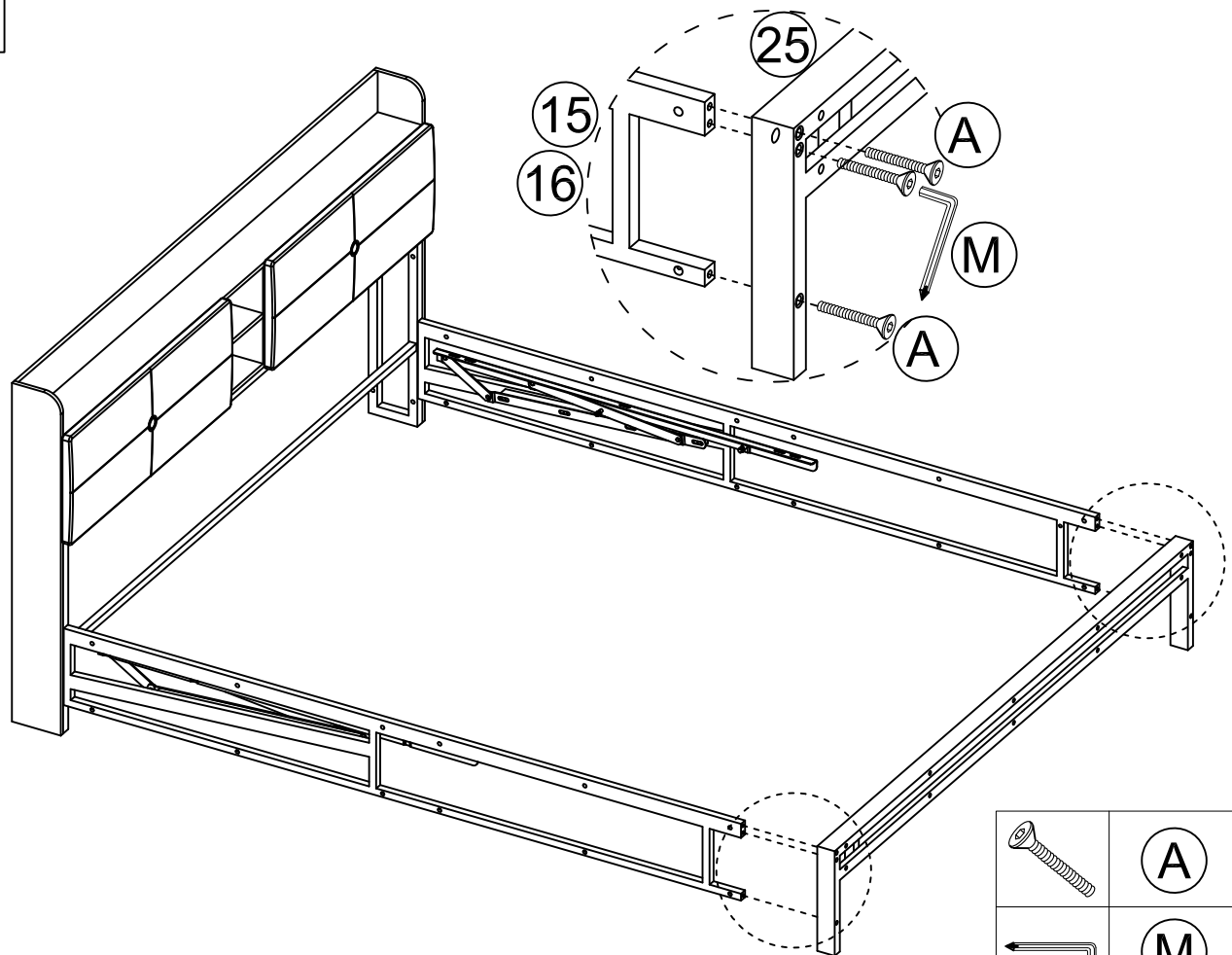
	ⓑ X4
	Ⓜ X1



27



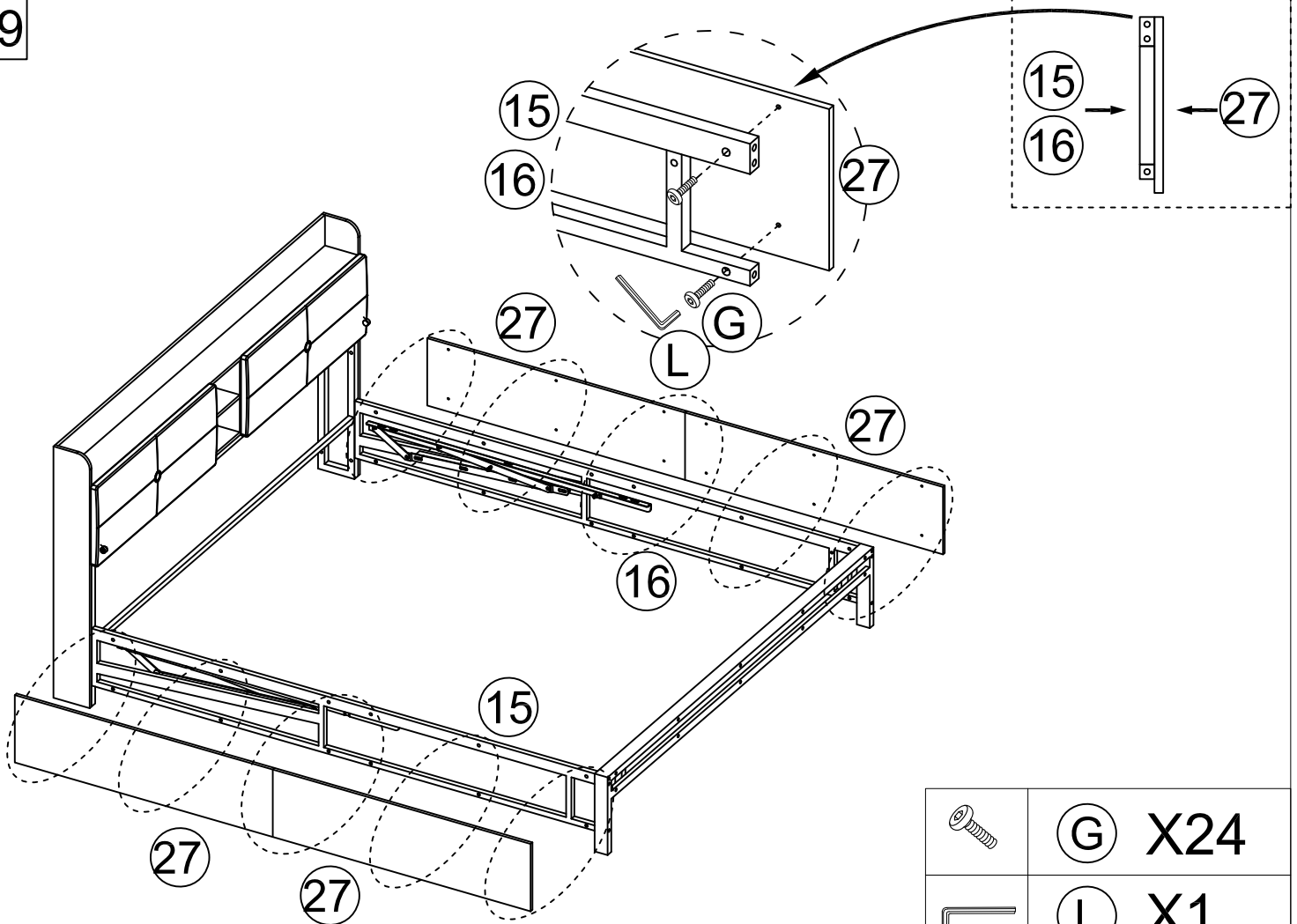
	(B) X6
	(M) X1



28



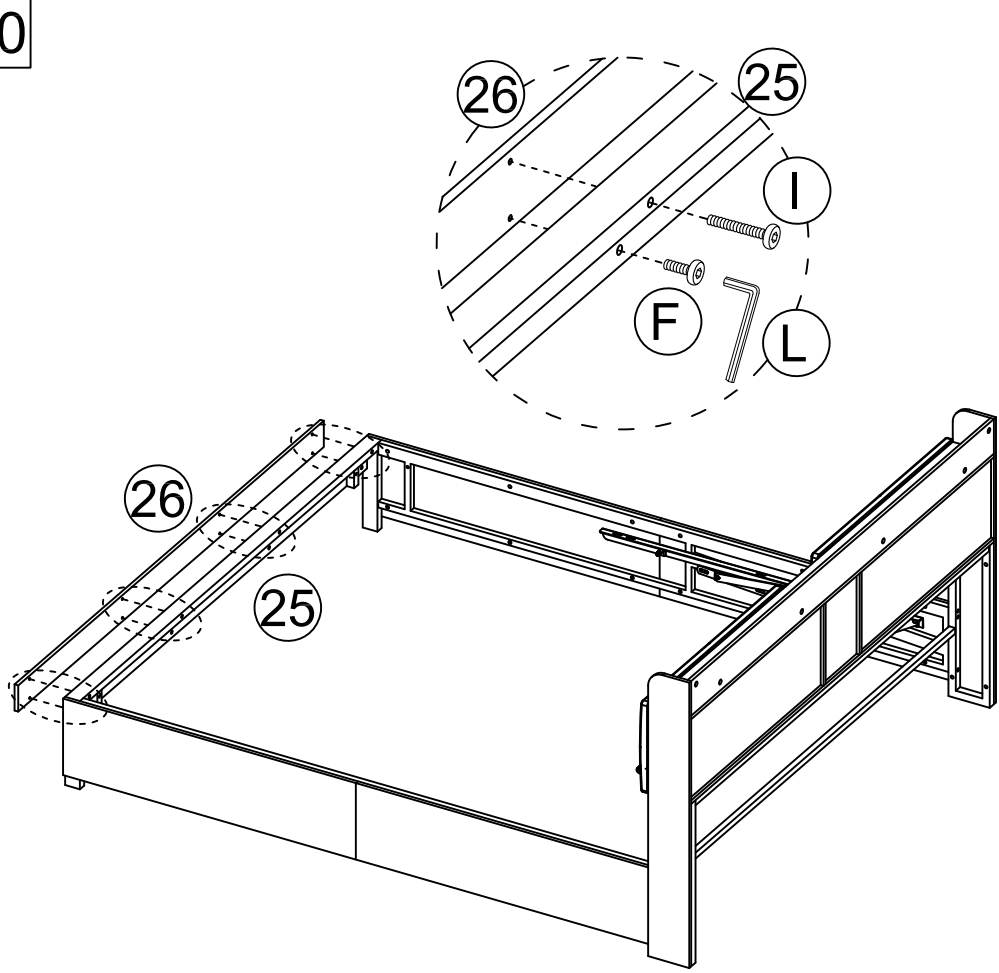
	(A) X6
	(M) X1




29



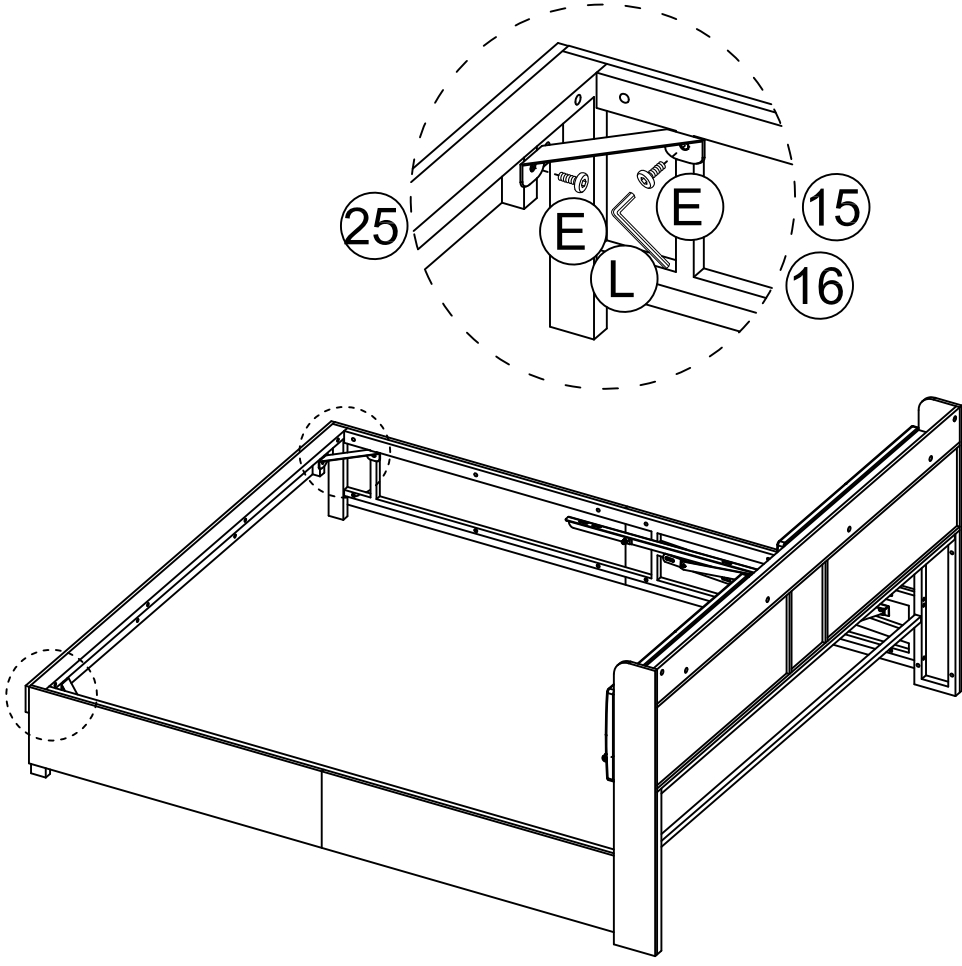
	G X24
	L X1



30



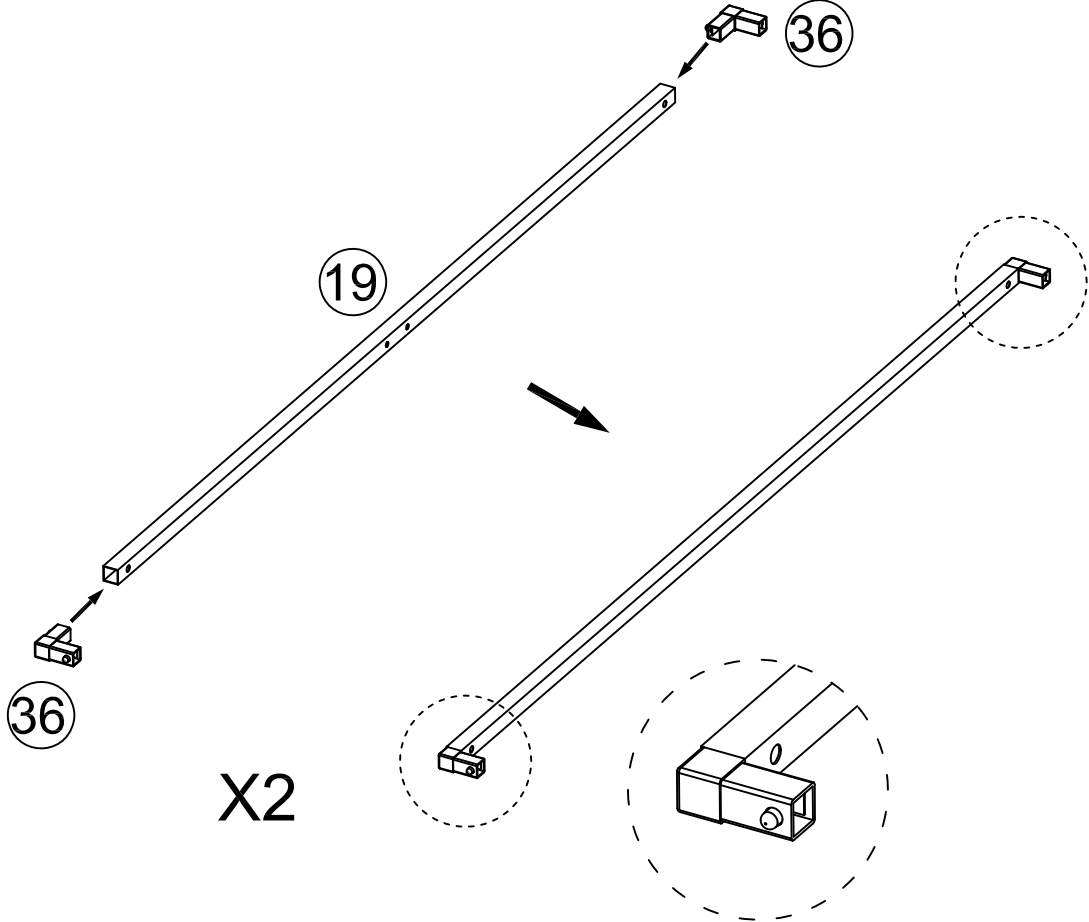
	F X4
	I X4
	L X1

31



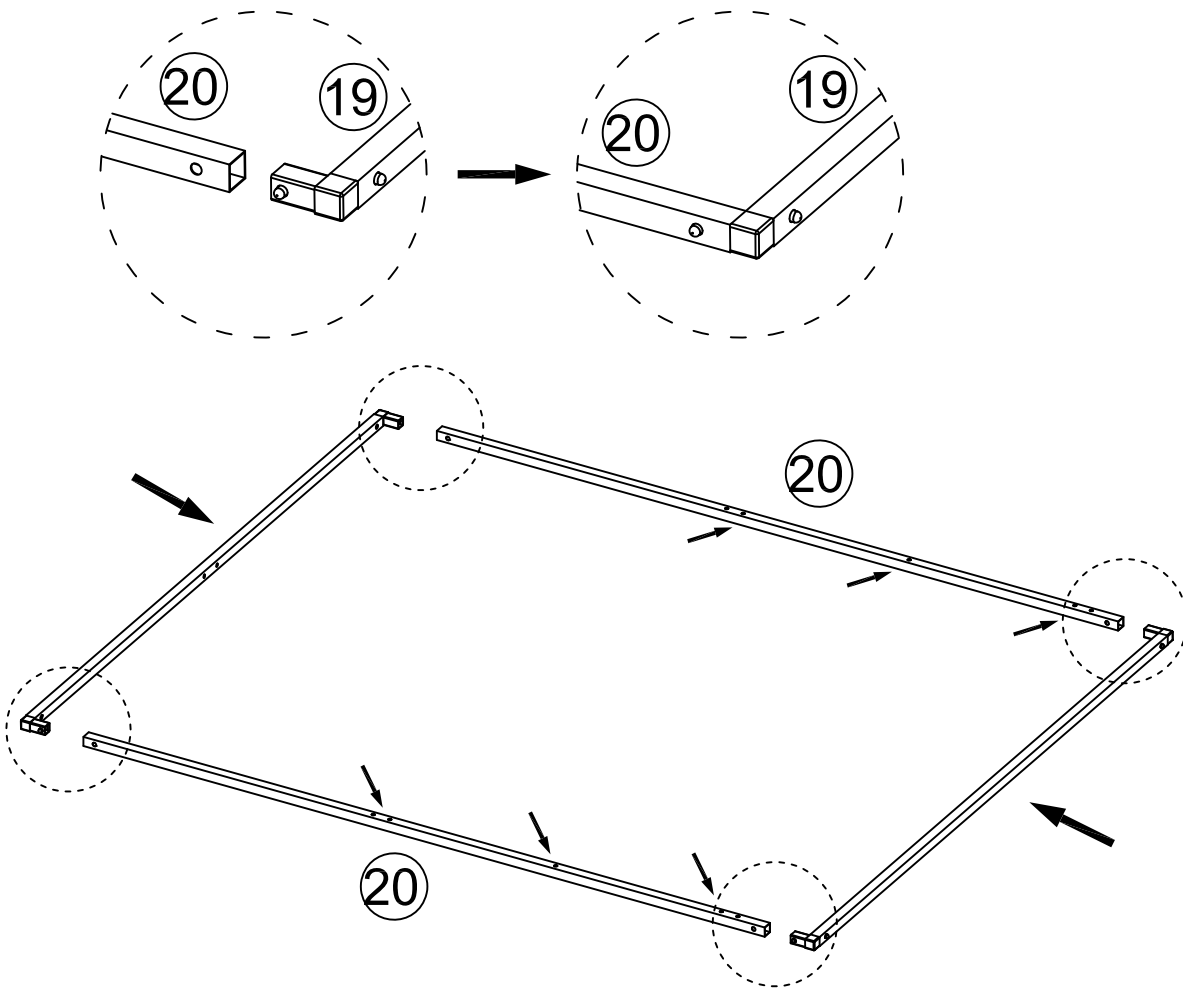
	E X4
	L X1

32

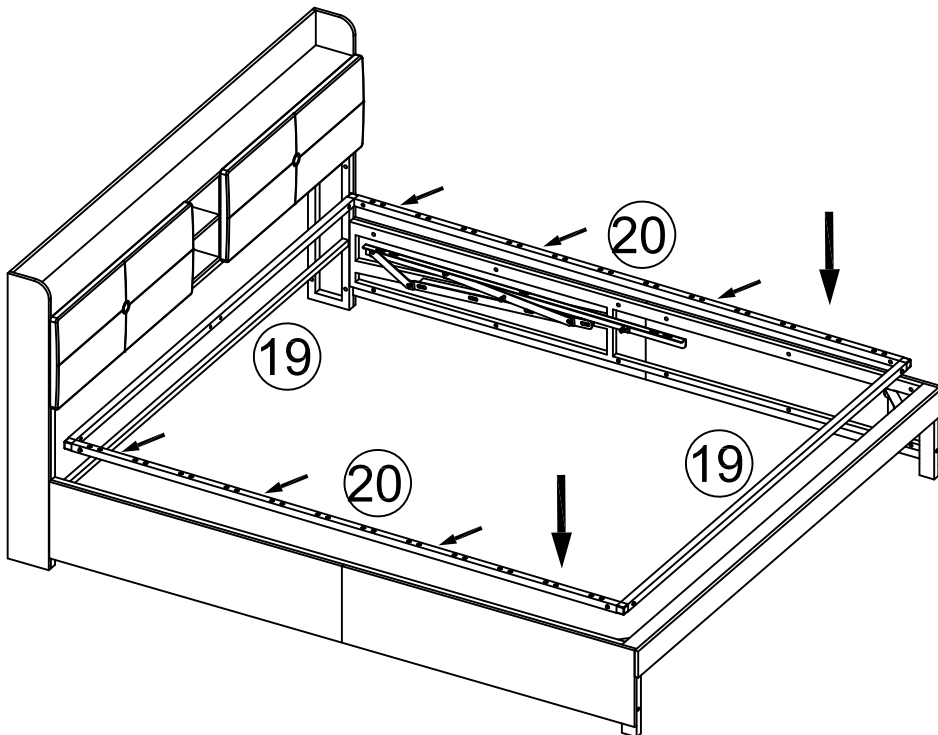


X2

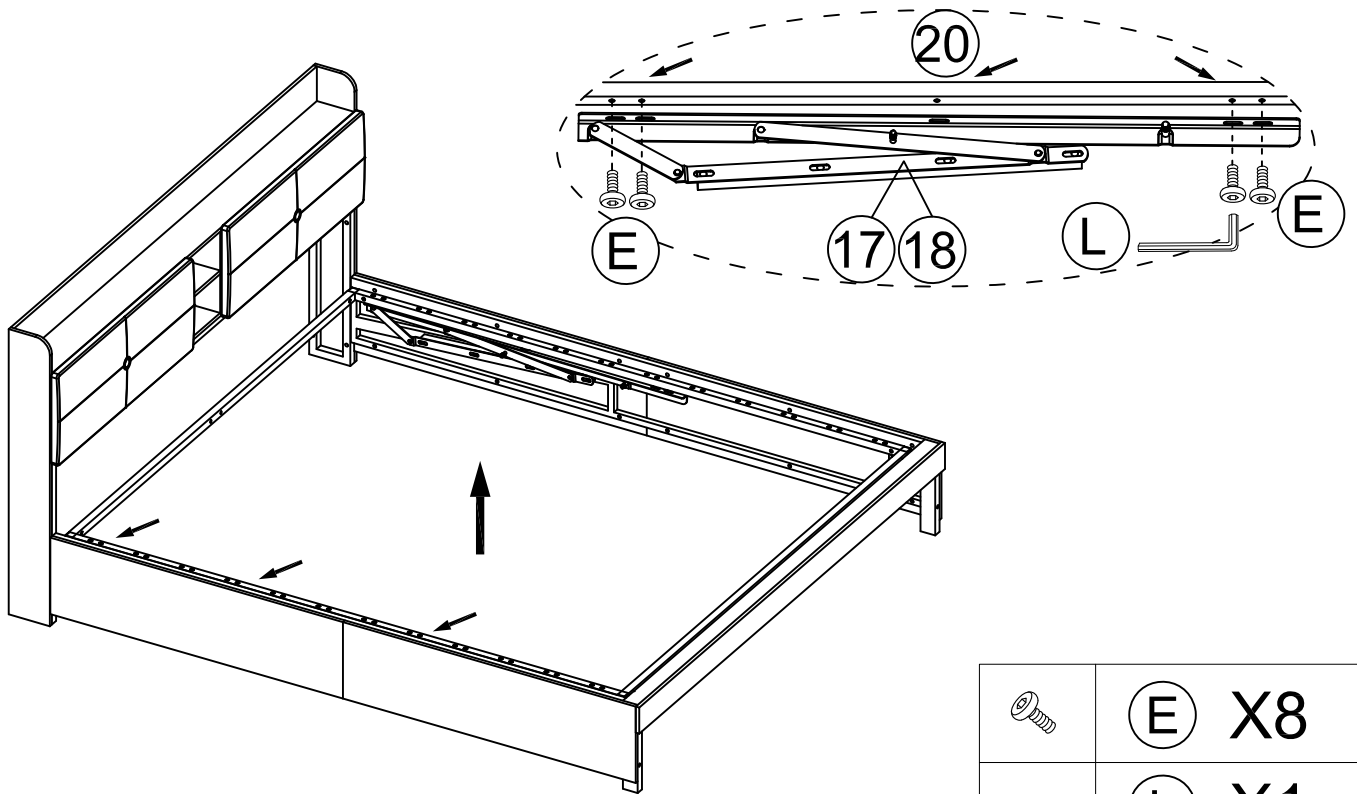
33





34

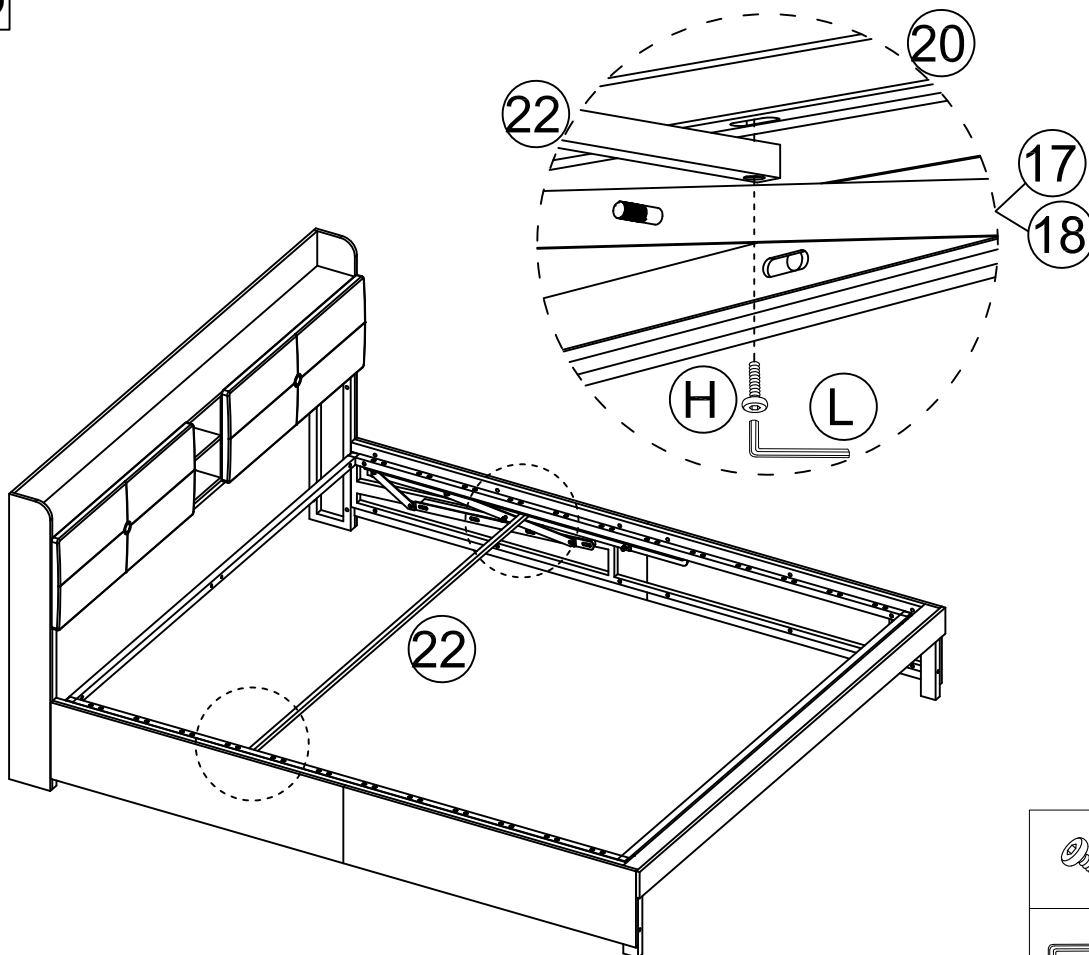




35



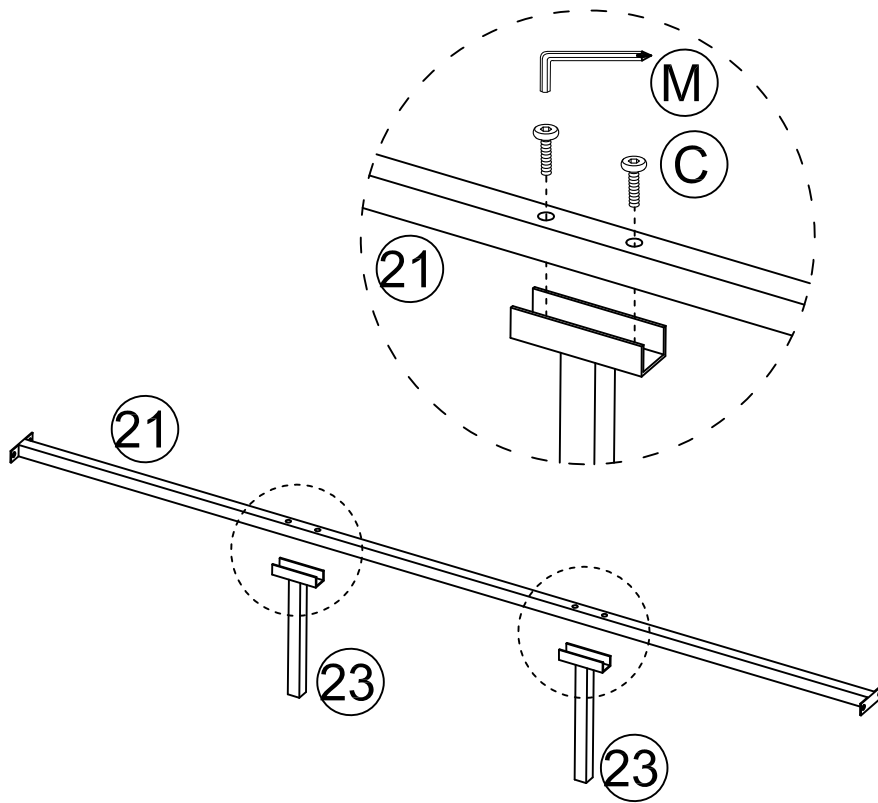
	(E) X8
	(L) X1



36



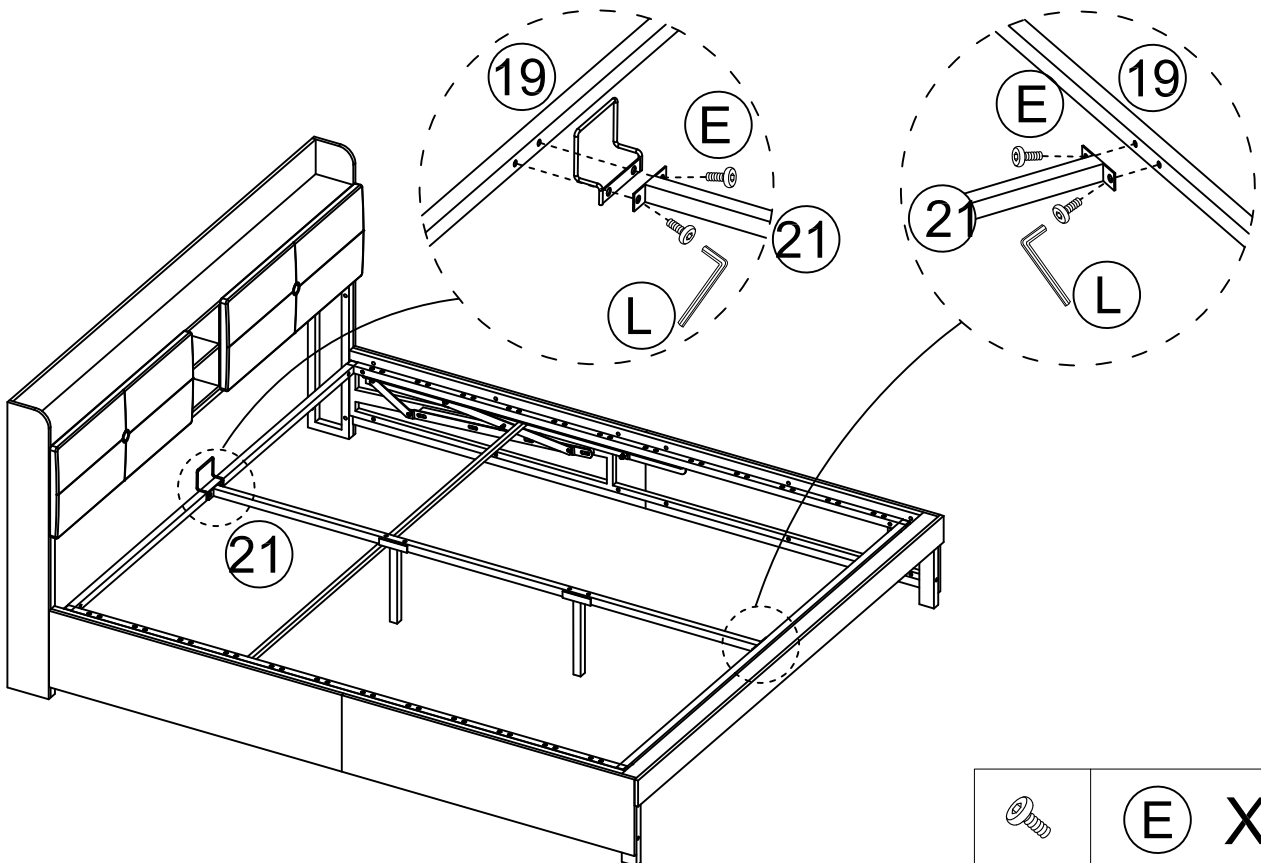
	(H) X2
	(L) X1


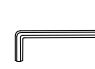
37



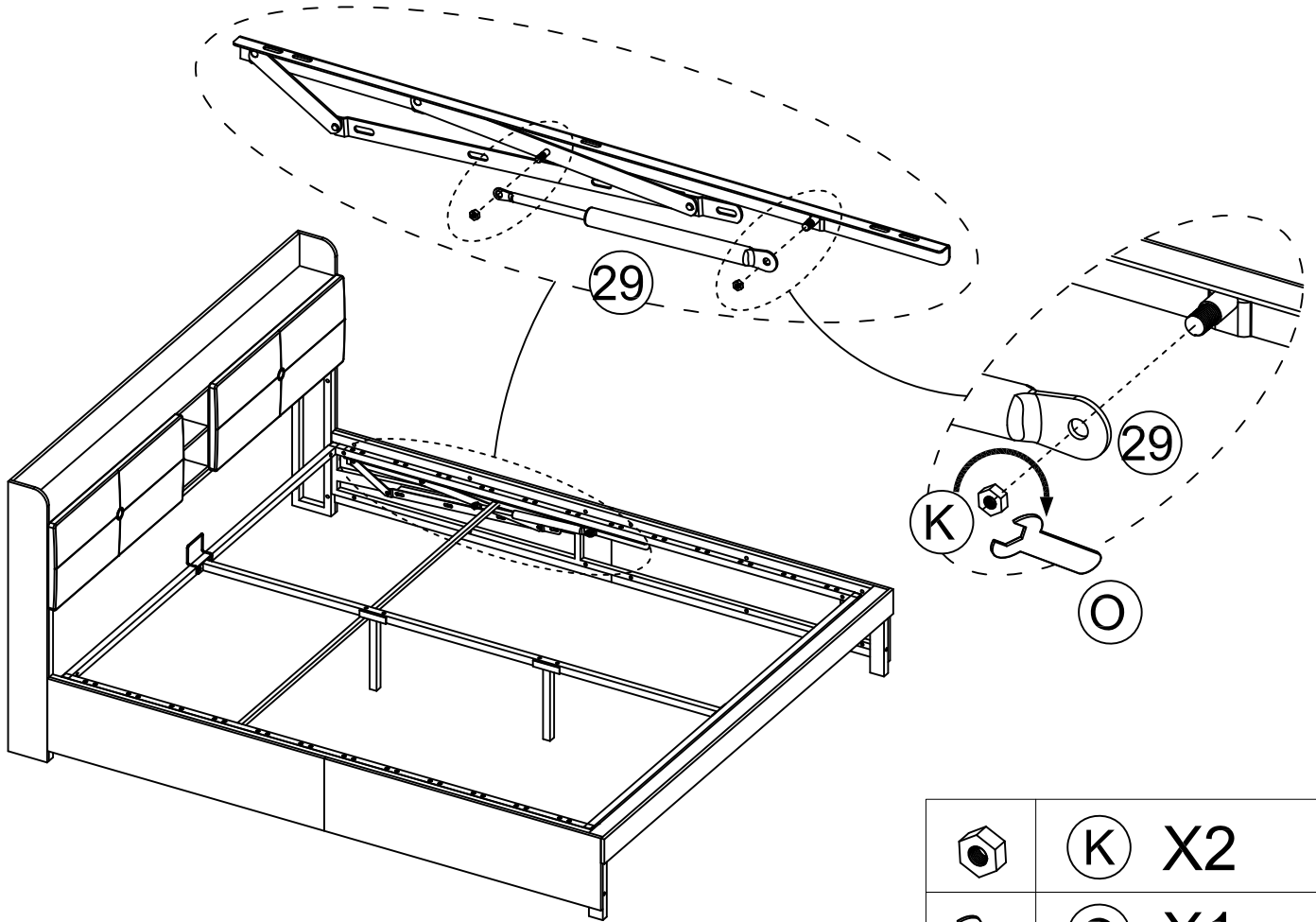
	(C) X4
	(M) X1



38



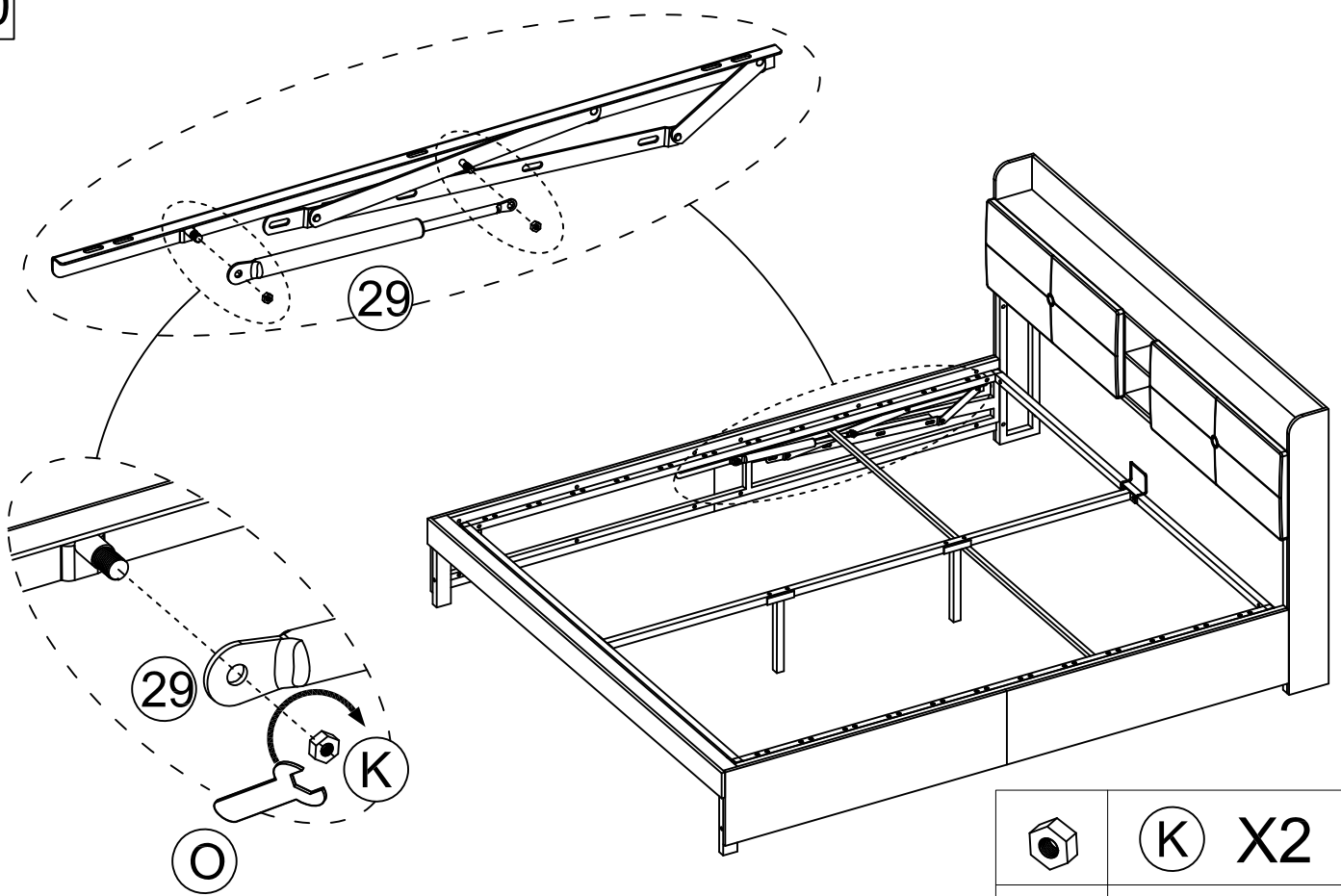
	(E) X4
	(L) X1



39



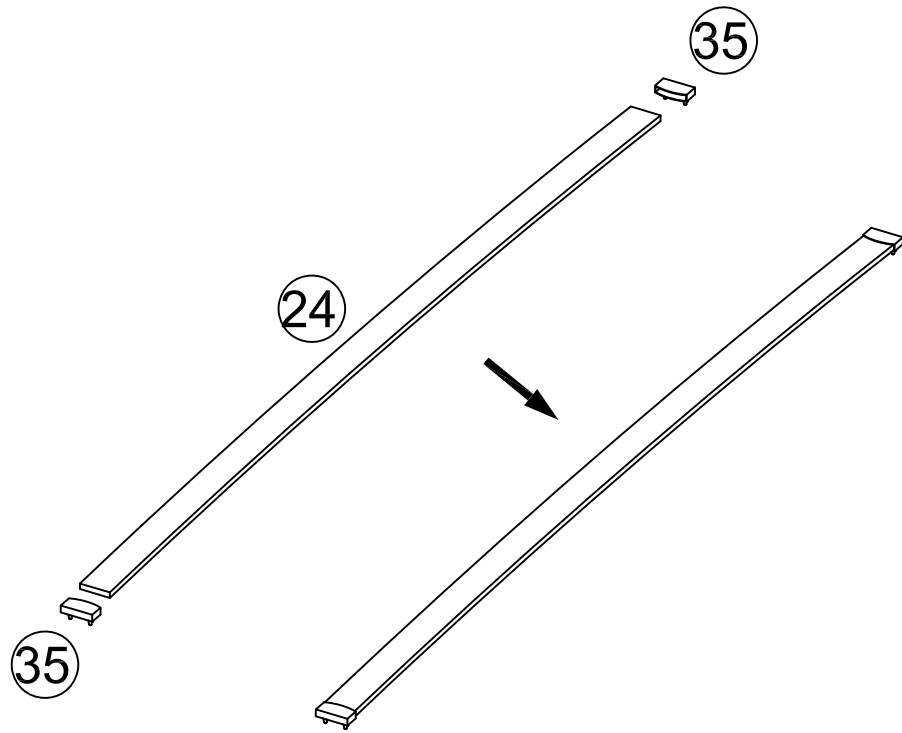
	(K) X2
	(O) X1

40



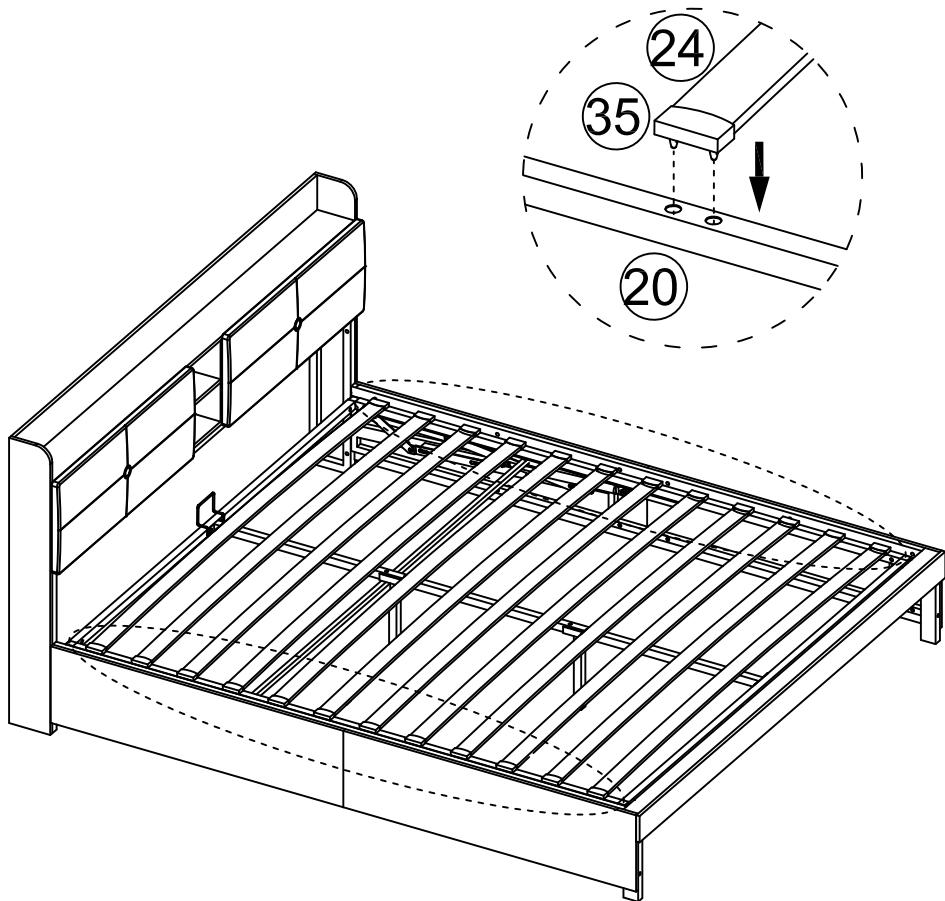
	(K) X2
	(O) X1

41

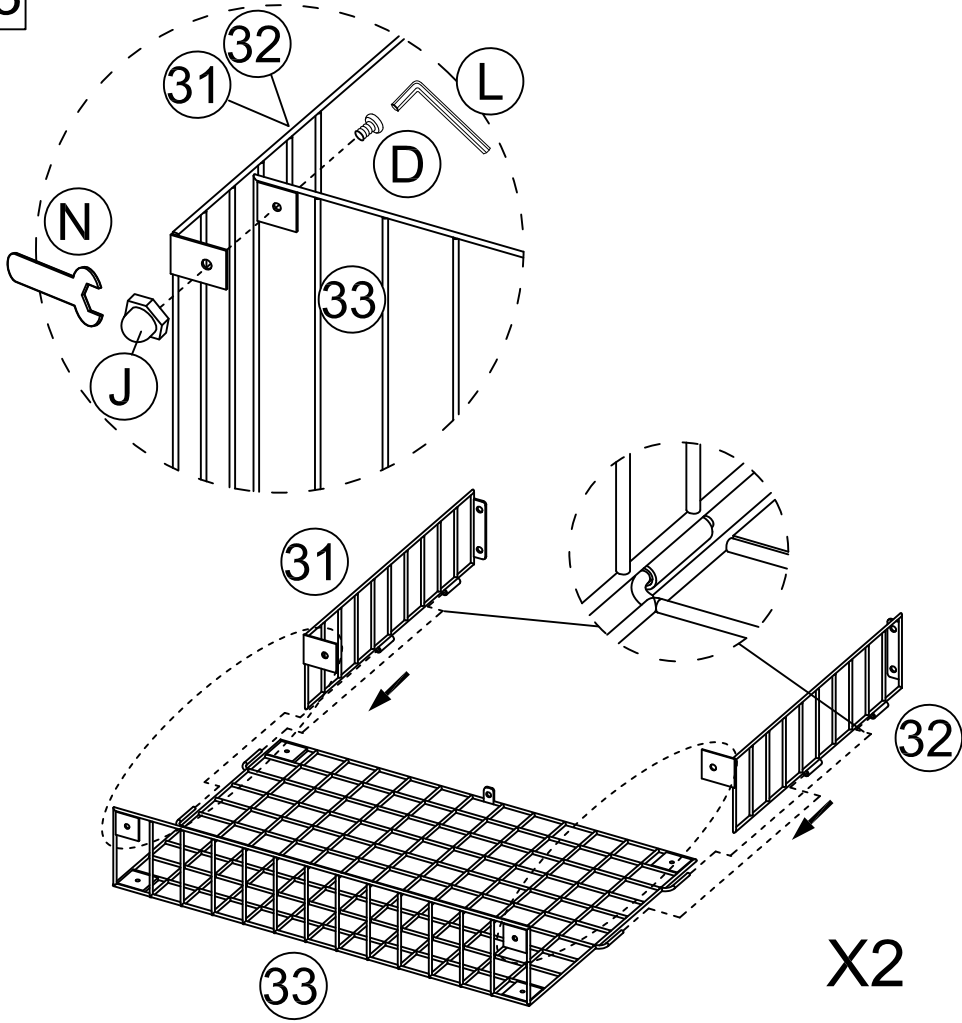






X12

42



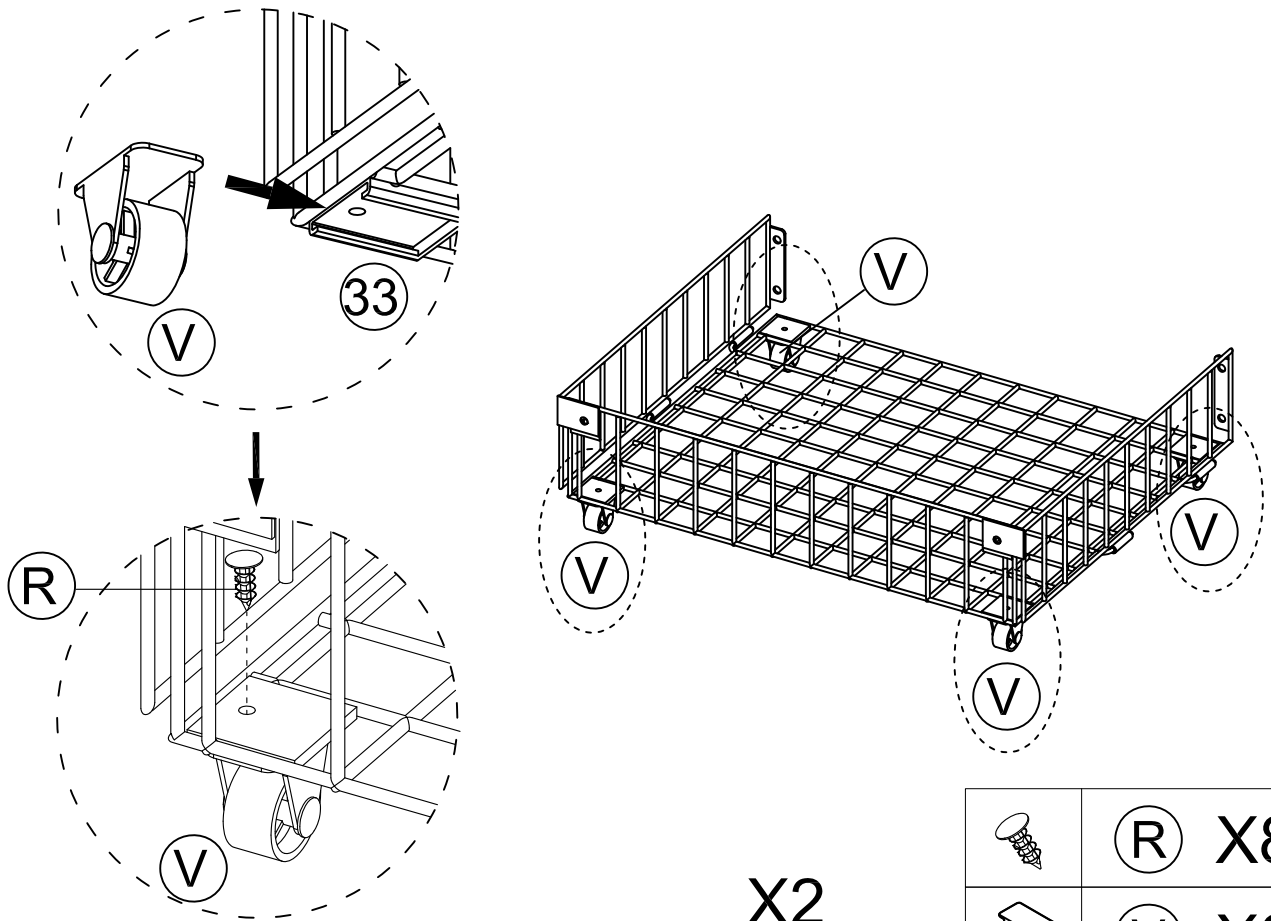
43





	(D) X4
	(L) X1
	(J) X4
	(N) X1

X2

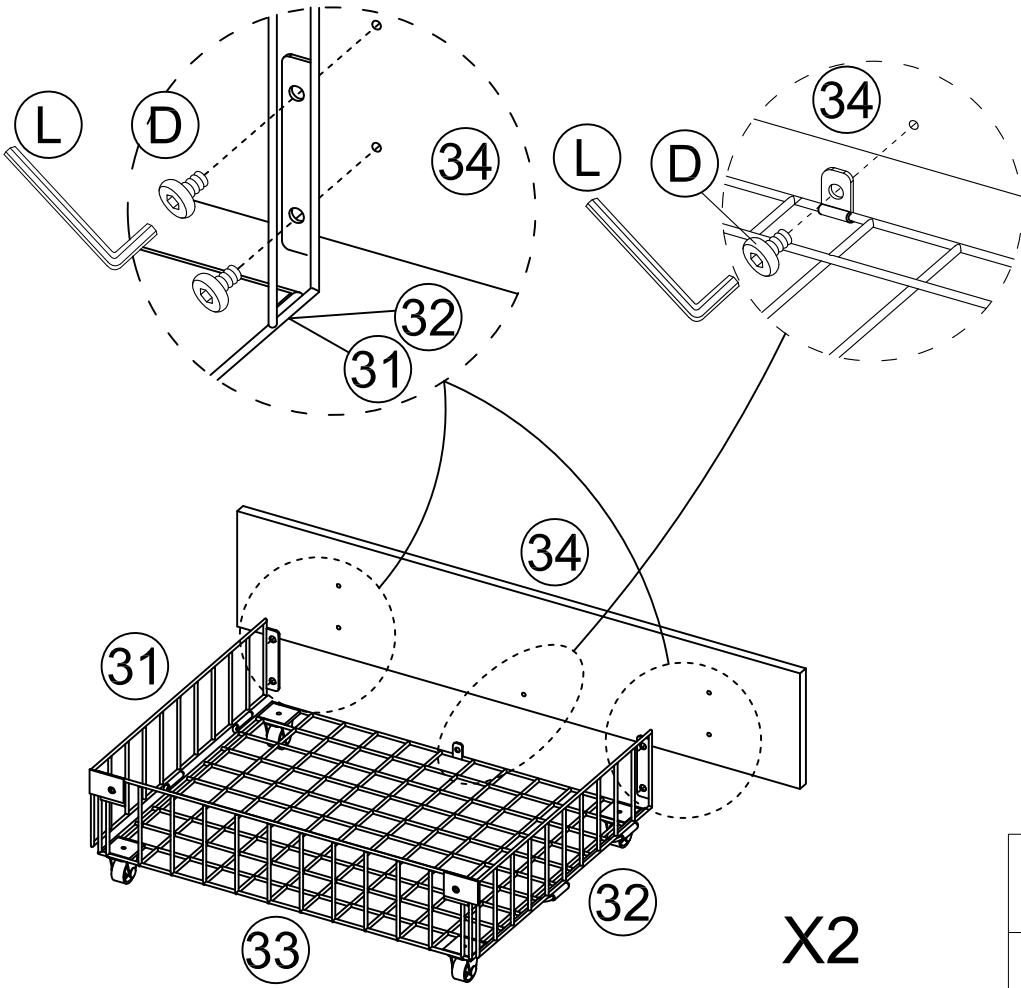
44





	(R) X8
	(V) X8

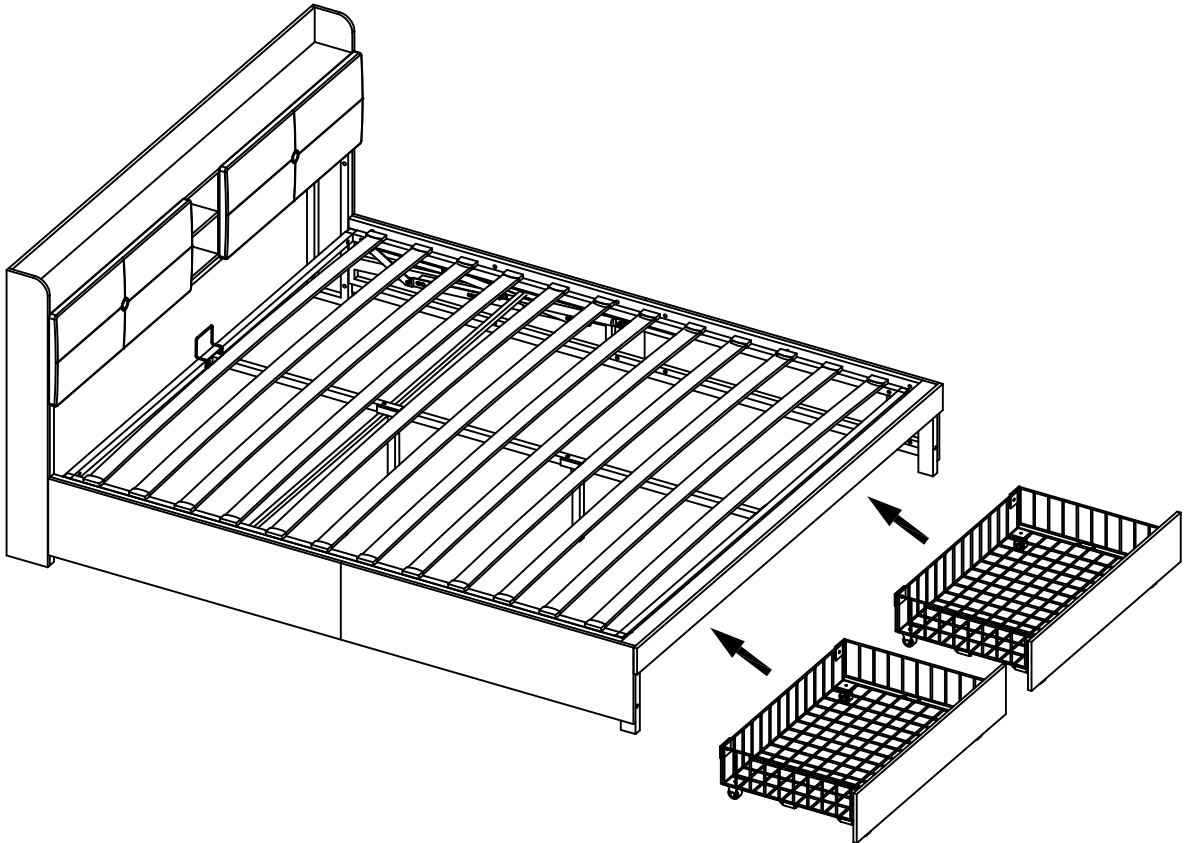
X2

45

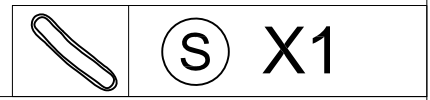
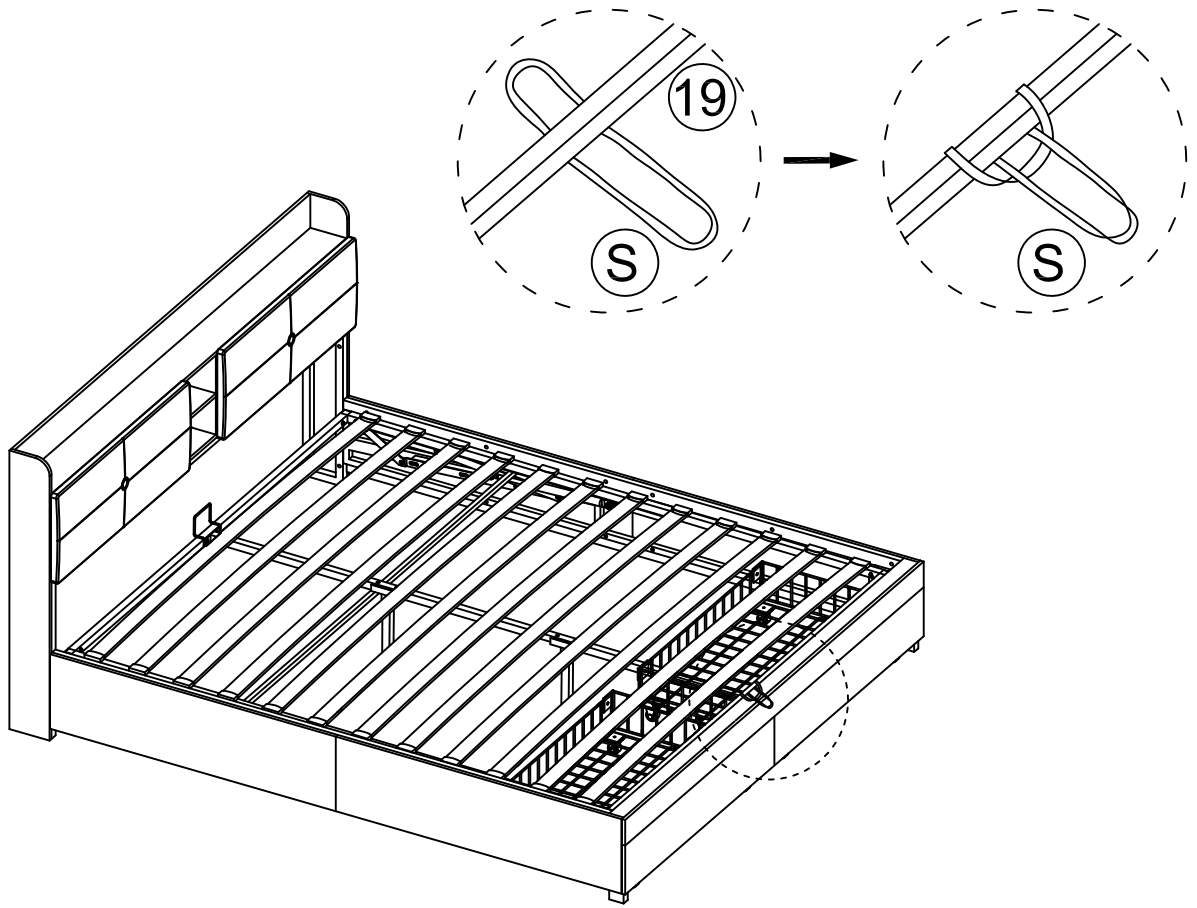


	D X10
	L X1

46



47



48

