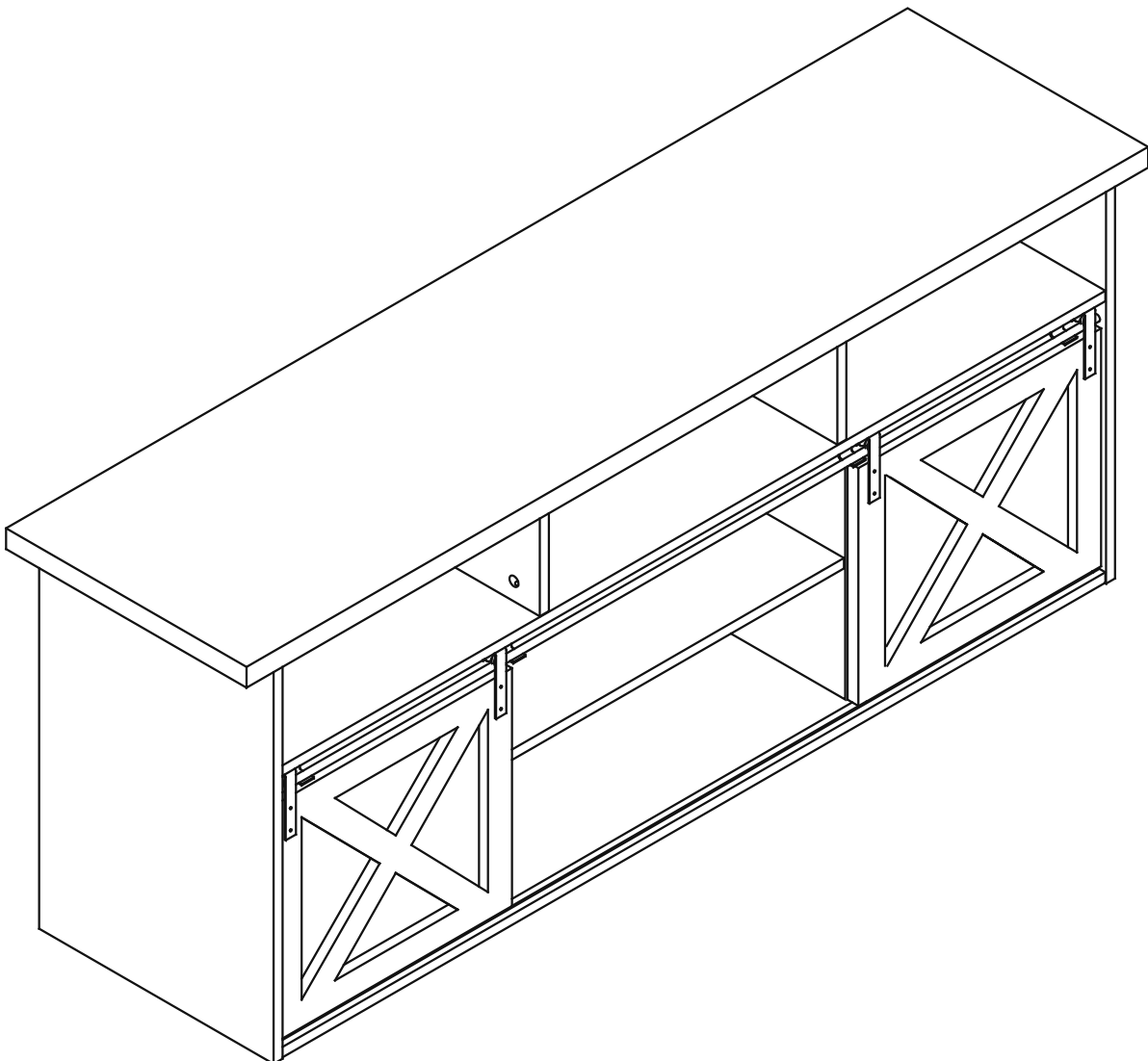
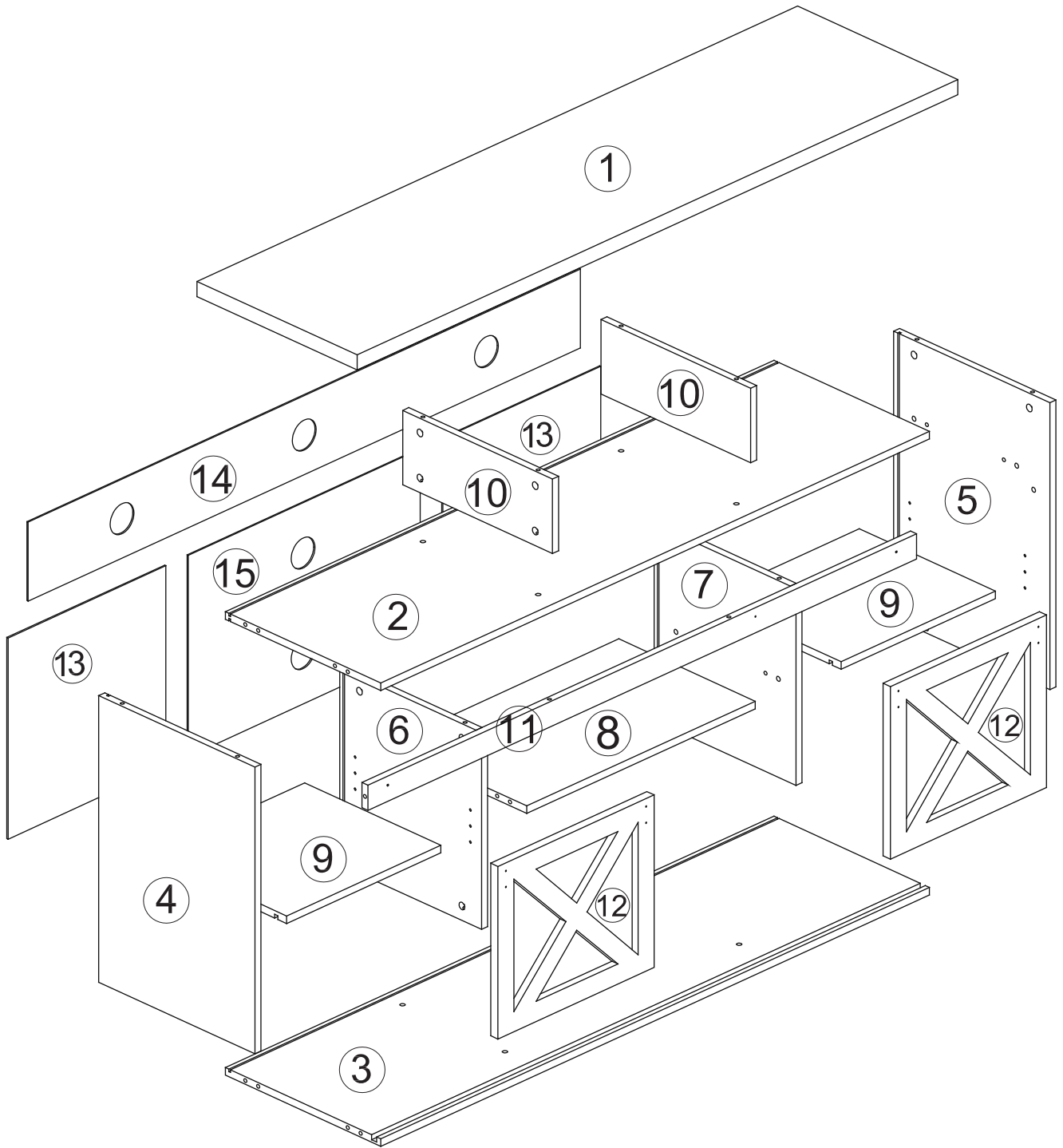

Box-1/2	WF306438
Box-2/2	WF306439

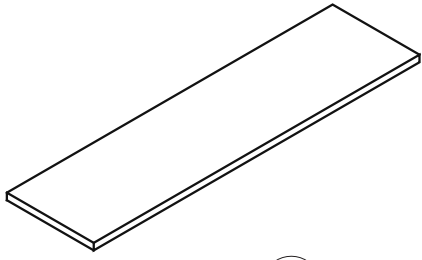
CE

Deutsch: Dieses Produkt besteht aus 2 Logistikkartons, bitte überprüfen Sie die Anzahl Ihrer Pakete, falls eines fehlt, wenden Sie sich bitte an die Logistik.

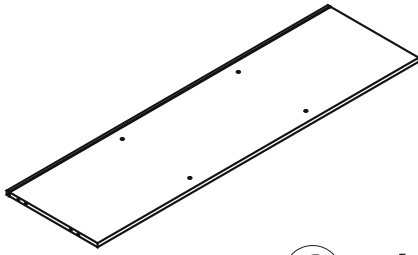
English: This product consists of 2 packages. Please check the number of your packages. If one is missing, please contact the logistics department.



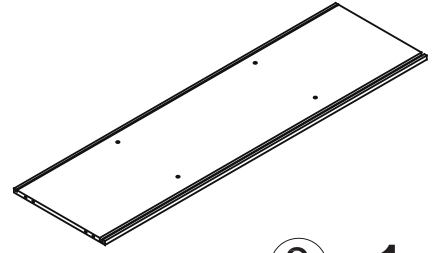




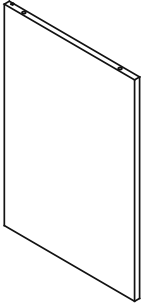
① x1



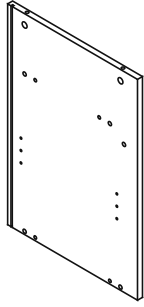
② x1



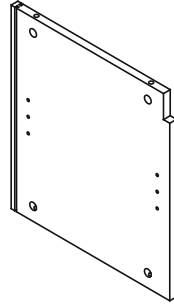
③ x1



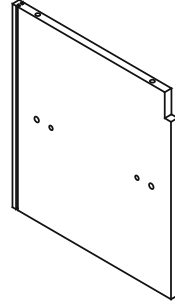
④ x1



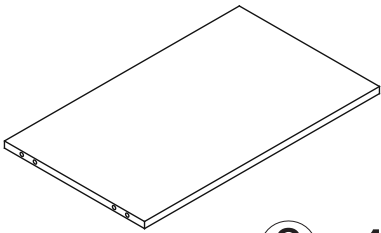
⑤ x1



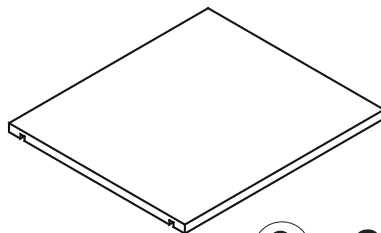
⑥ x1



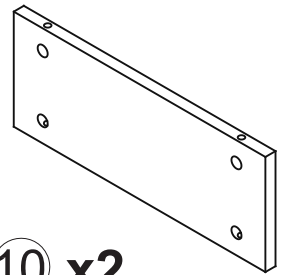
⑦ x1



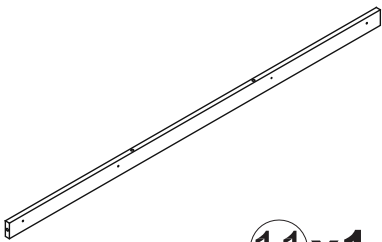
⑧ x1



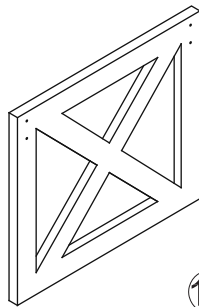
⑨ x2



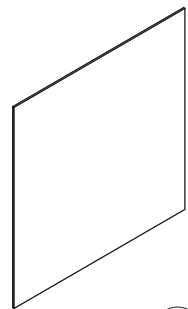
⑩ x2



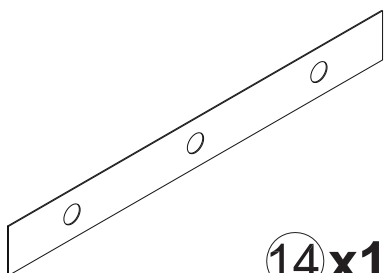
⑪ x1



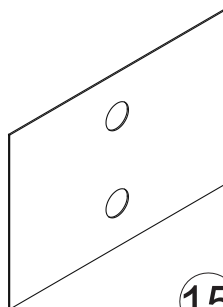
⑫ x2



⑬ x2



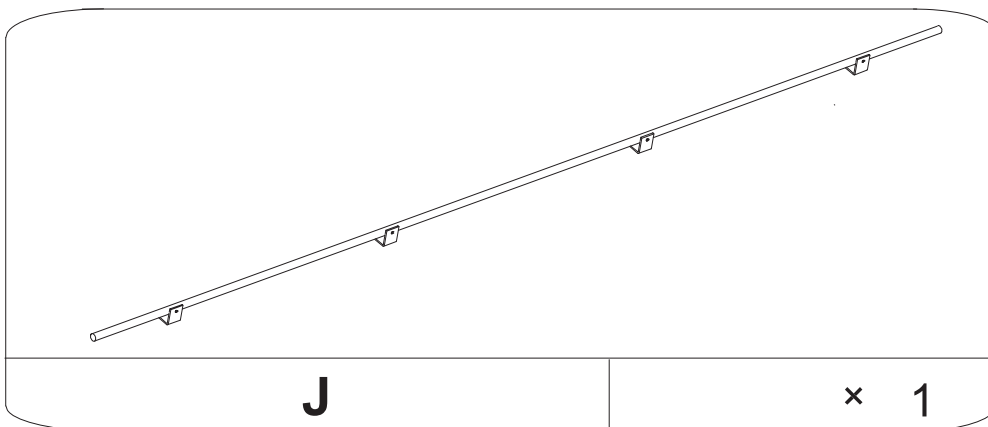
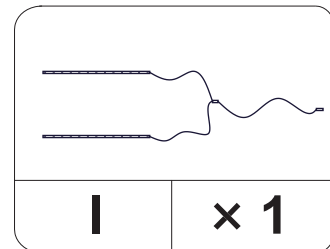
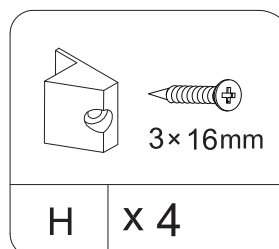
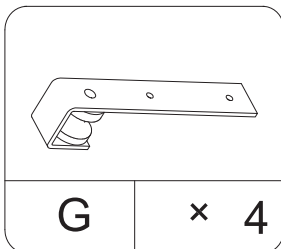
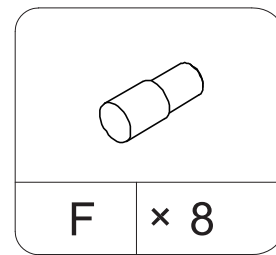
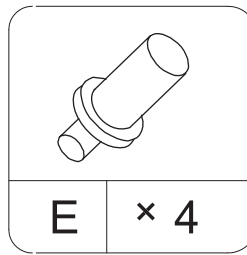
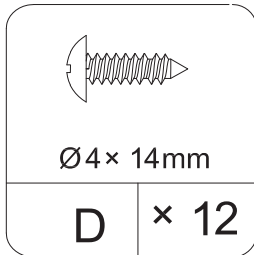
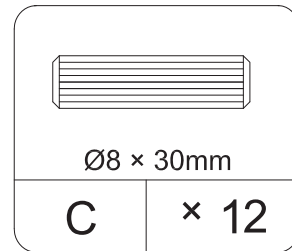
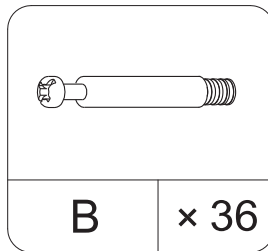
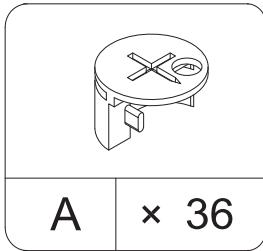
⑭ x1



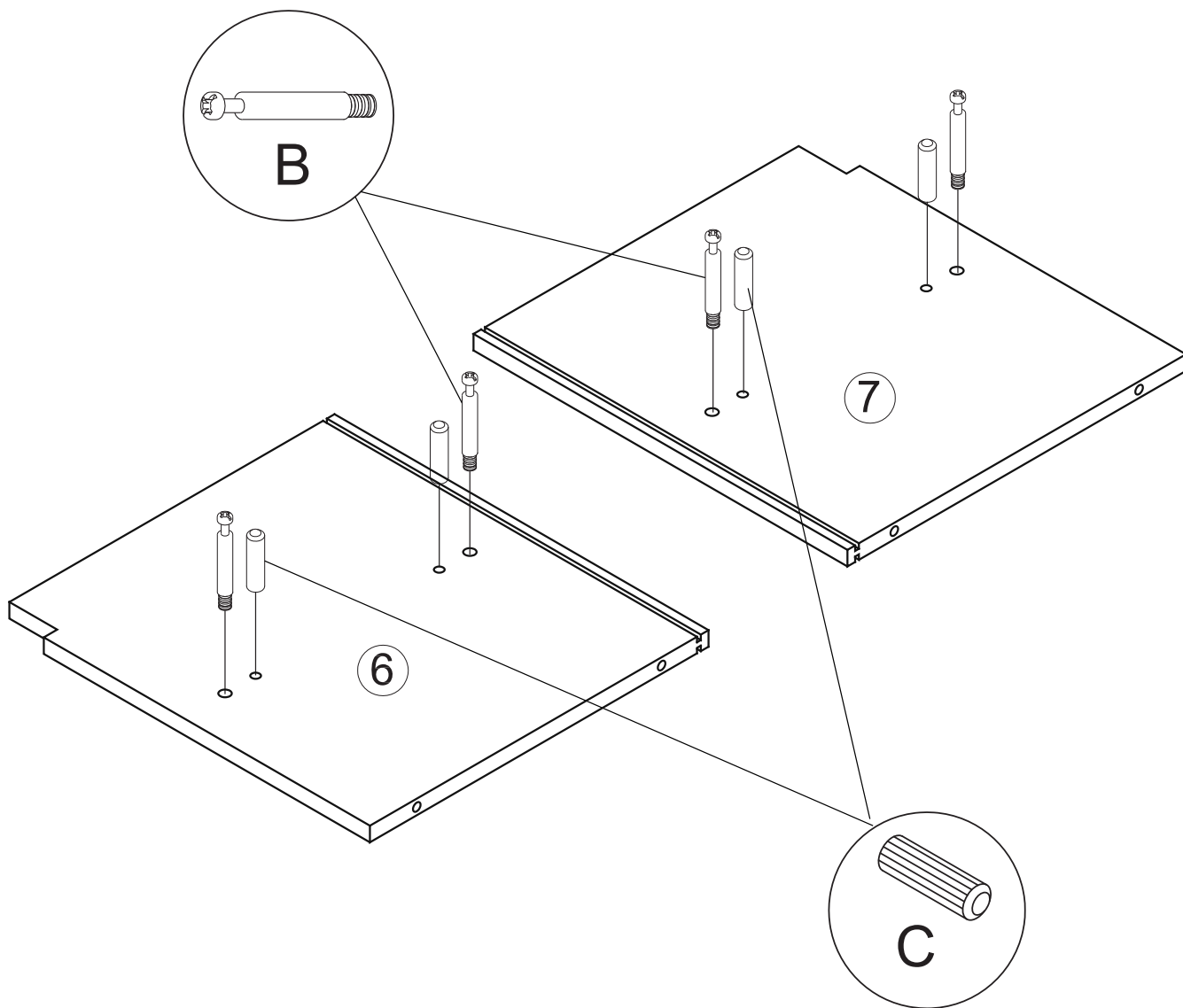
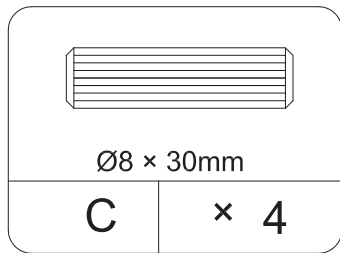
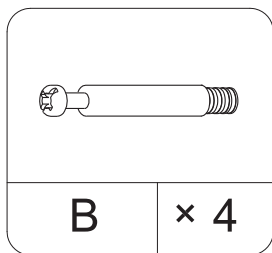
⑮ x1

Hardwareliste

Größe

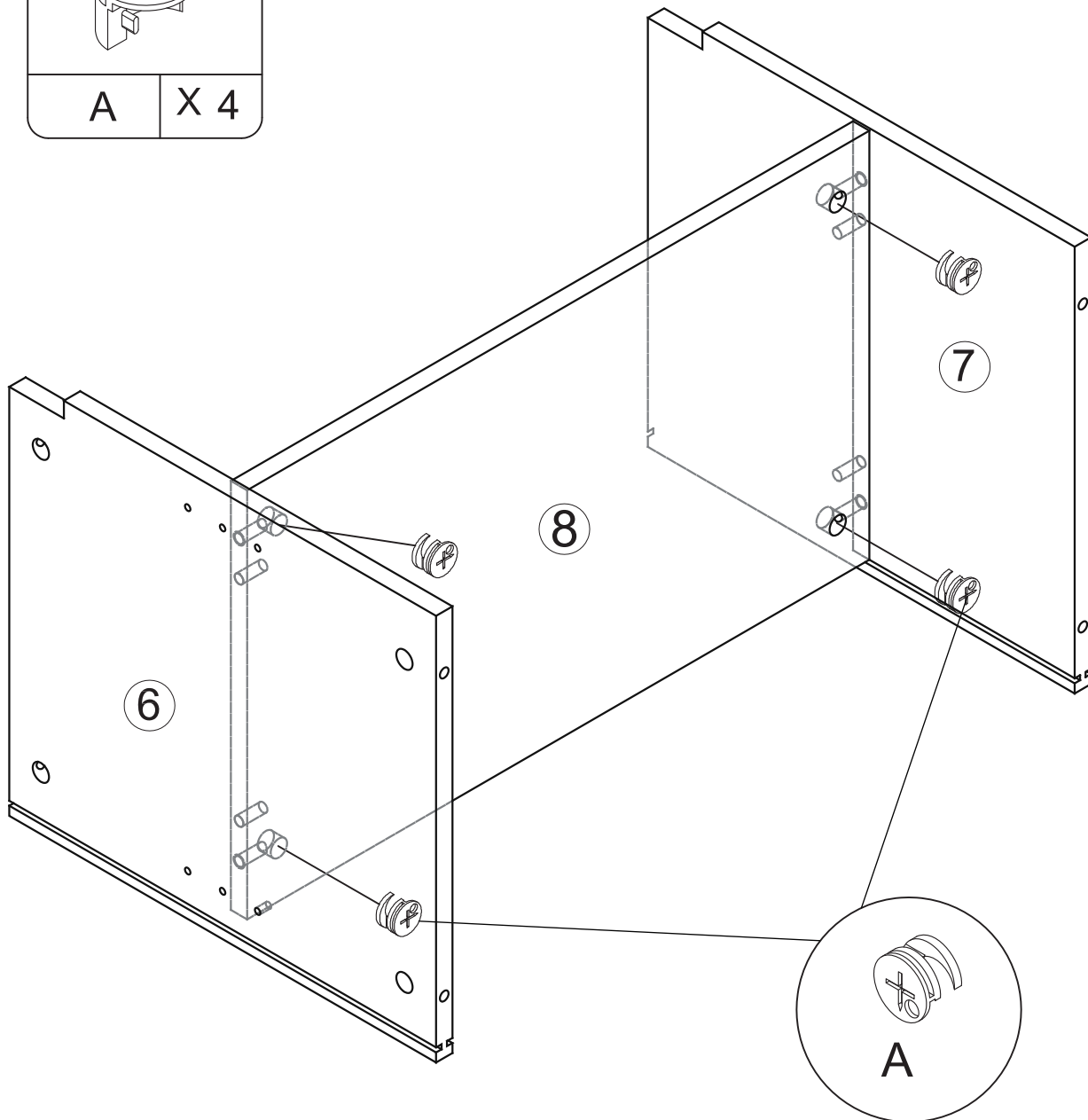
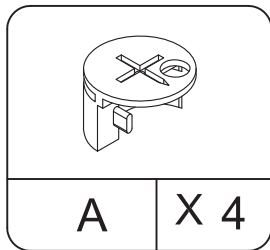


Schritt 1



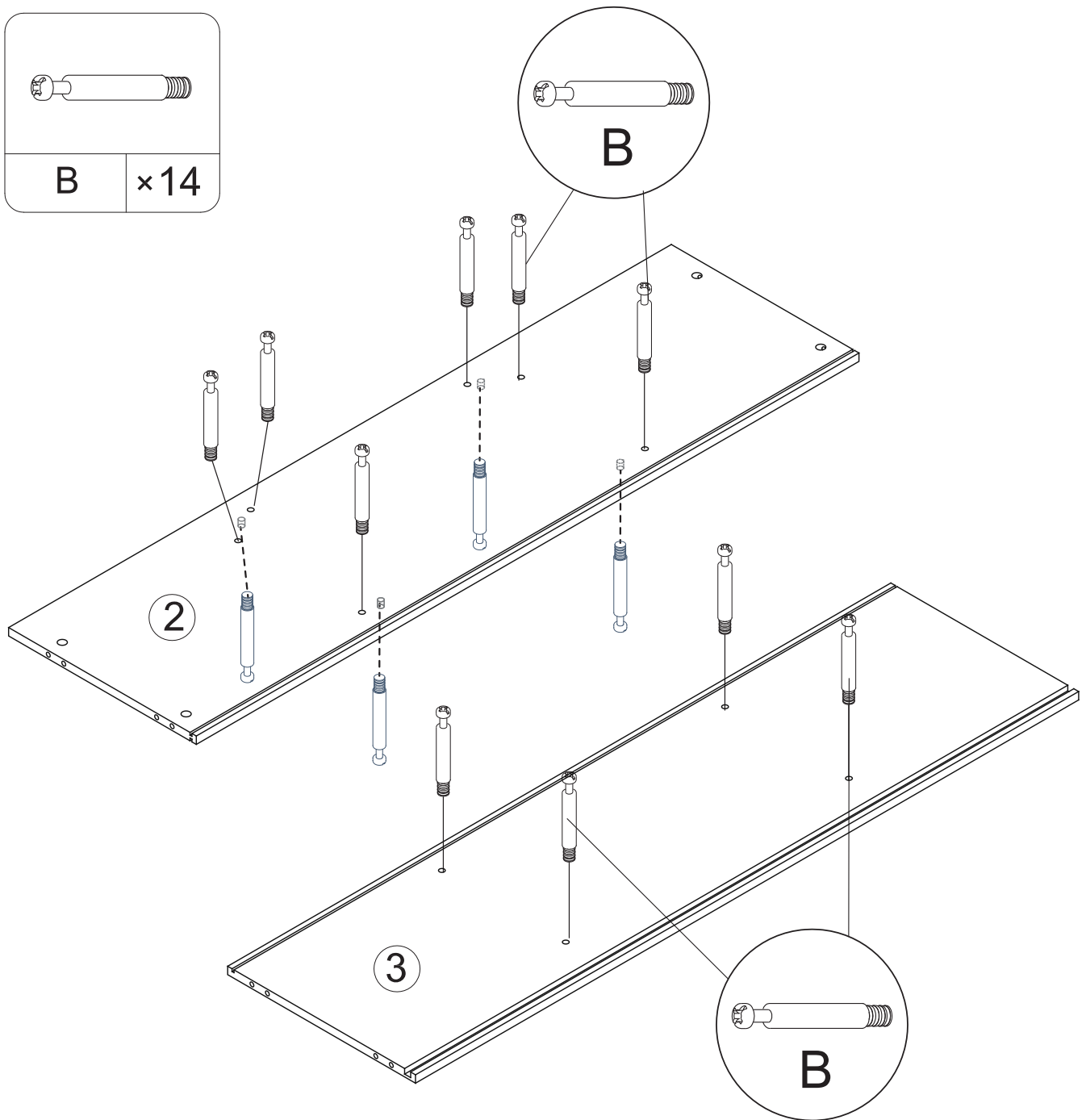
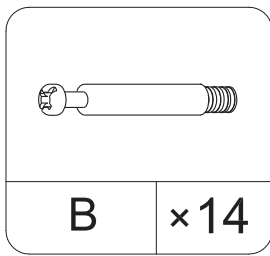
<p>B</p>		<p>Arrow must face hole</p> <p>A</p>	
<p>Gently screw cam bolt into the threaded anchor.</p>		<p>Lightly glue wood dowel and connect to second panel by inserting dowels into holes.</p>	<p>Screw the camlock firmly into locked position.</p>

Schritt 2



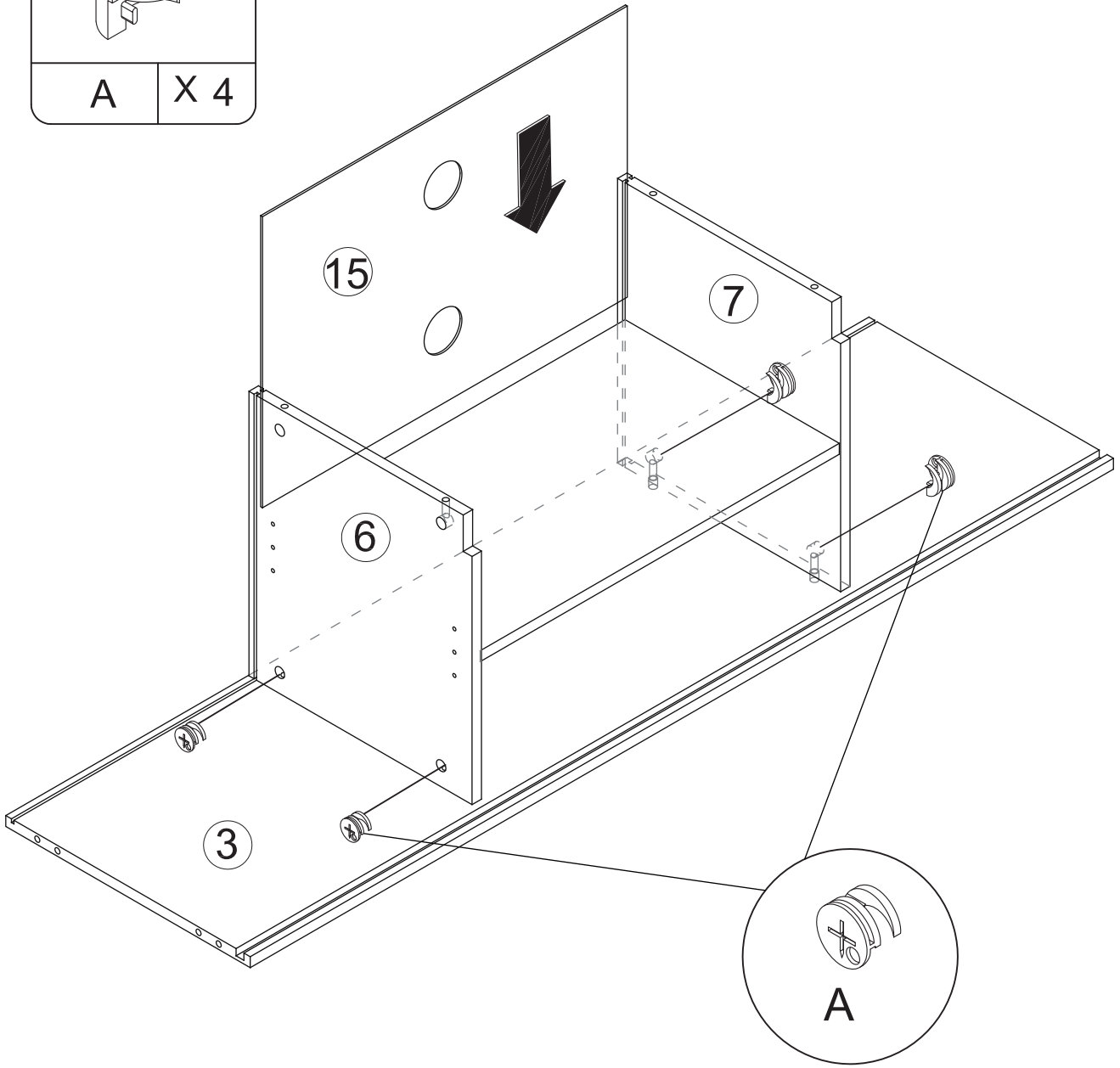
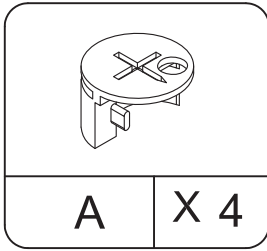
		<p>Arrow must face hole</p>	
<p>Gently screw cam bolt into the threaded anchor.</p>		<p>Lightly glue wood dowel and connect to second panel by inserting dowels into holes.</p>	<p>Screw the camlock firmly into locked position.</p>

Schritt 3



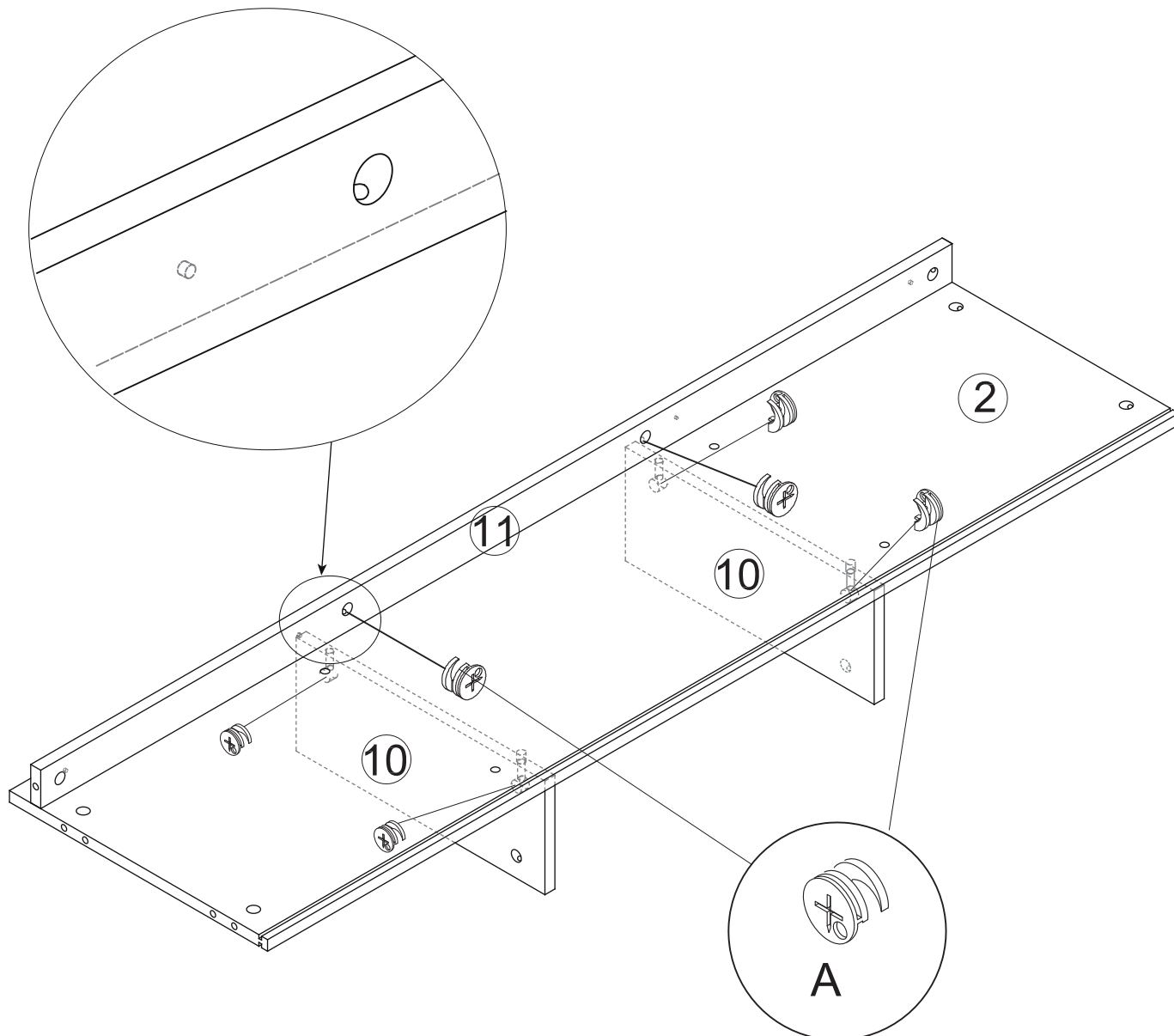
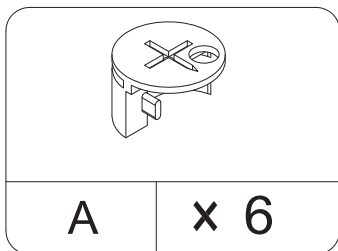
<p>B</p>		<p>Arrow must face hole</p> <p>A</p>	
<p>Gently screw cam bolt into the threaded anchor.</p>		<p>Lightly glue wood dowel and connect to second panel by inserting dowels into holes.</p>	<p>Screw the camlock firmly into locked position.</p>

Schritt 4



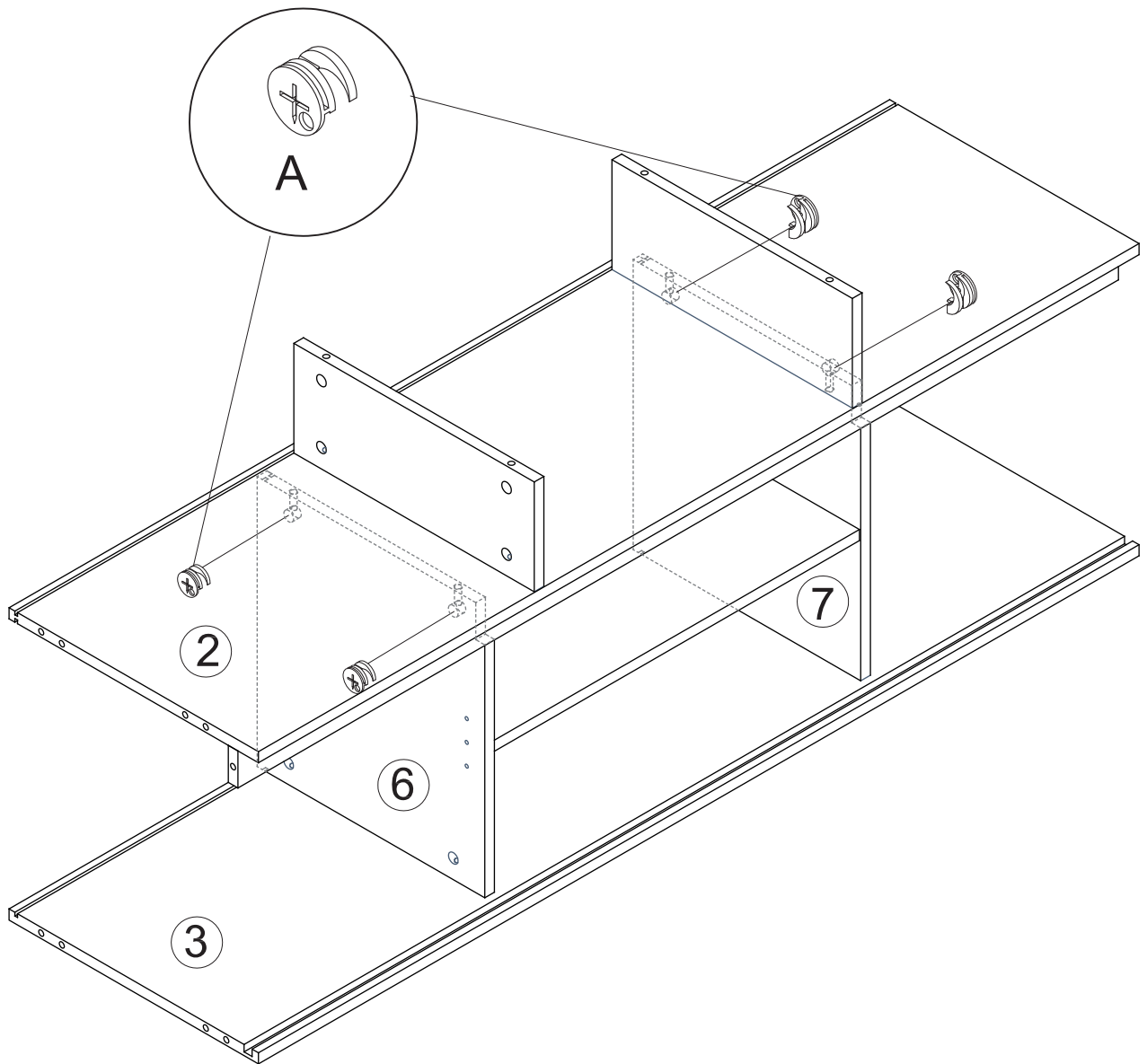
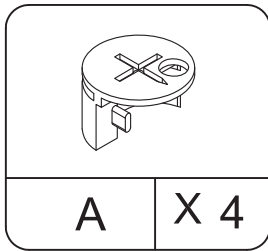
		<p>Arrow must face hole</p>	
<p>Gently screw cam bolt into the threaded anchor.</p>		<p>Lightly glue wood dowel and connect to second panel by inserting dowels into holes.</p>	<p>Screw the camlock firmly into locked position.</p>

Schritt 5



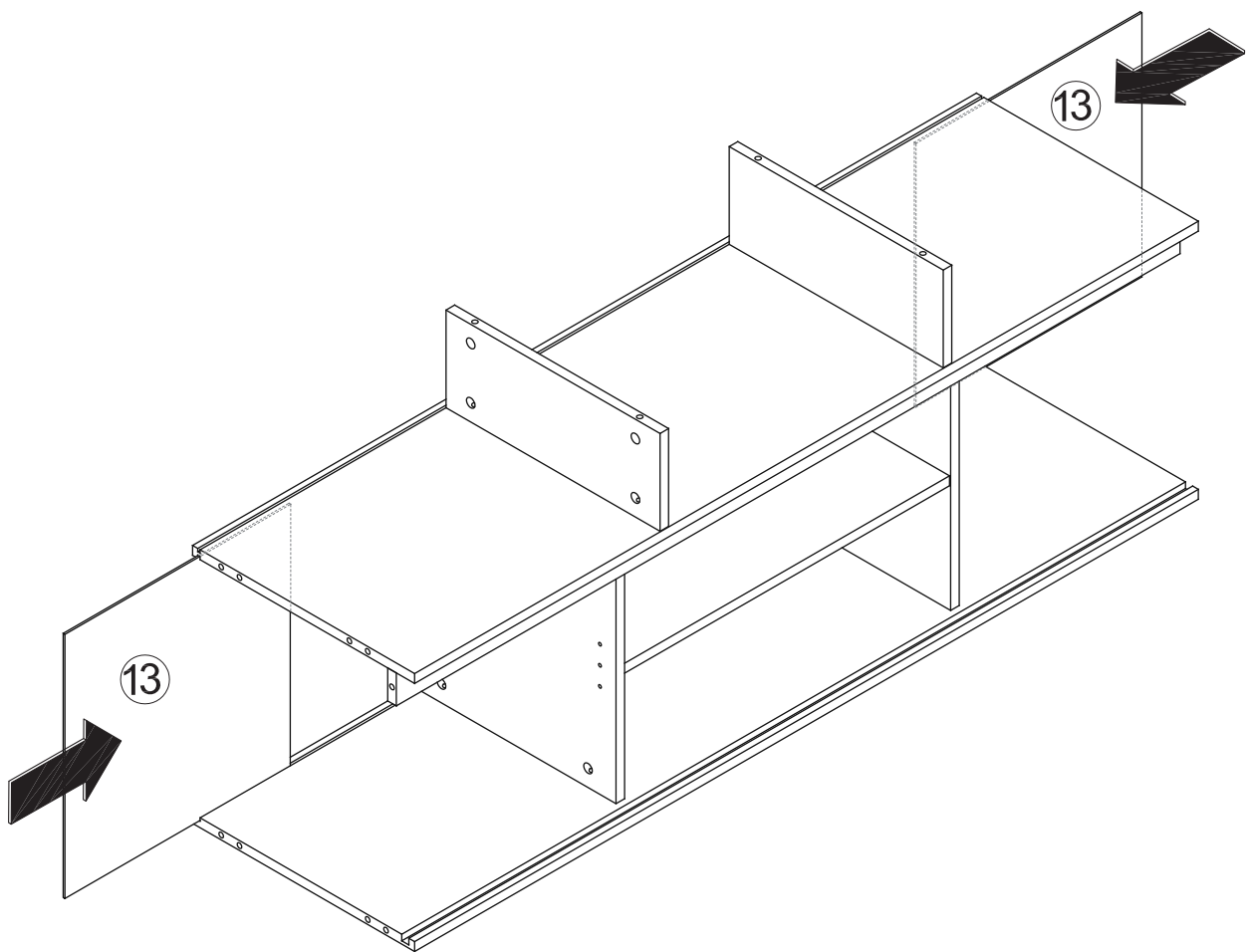
<p>B</p>		<p>Arrow must face hole</p> <p>A</p>	
<p>Gently screw cam bolt into the threaded anchor.</p>		<p>Lightly glue wood dowel and connect to second panel by inserting dowels into holes.</p>	<p>Screw the camlock firmly into locked position.</p>

Schritt 6

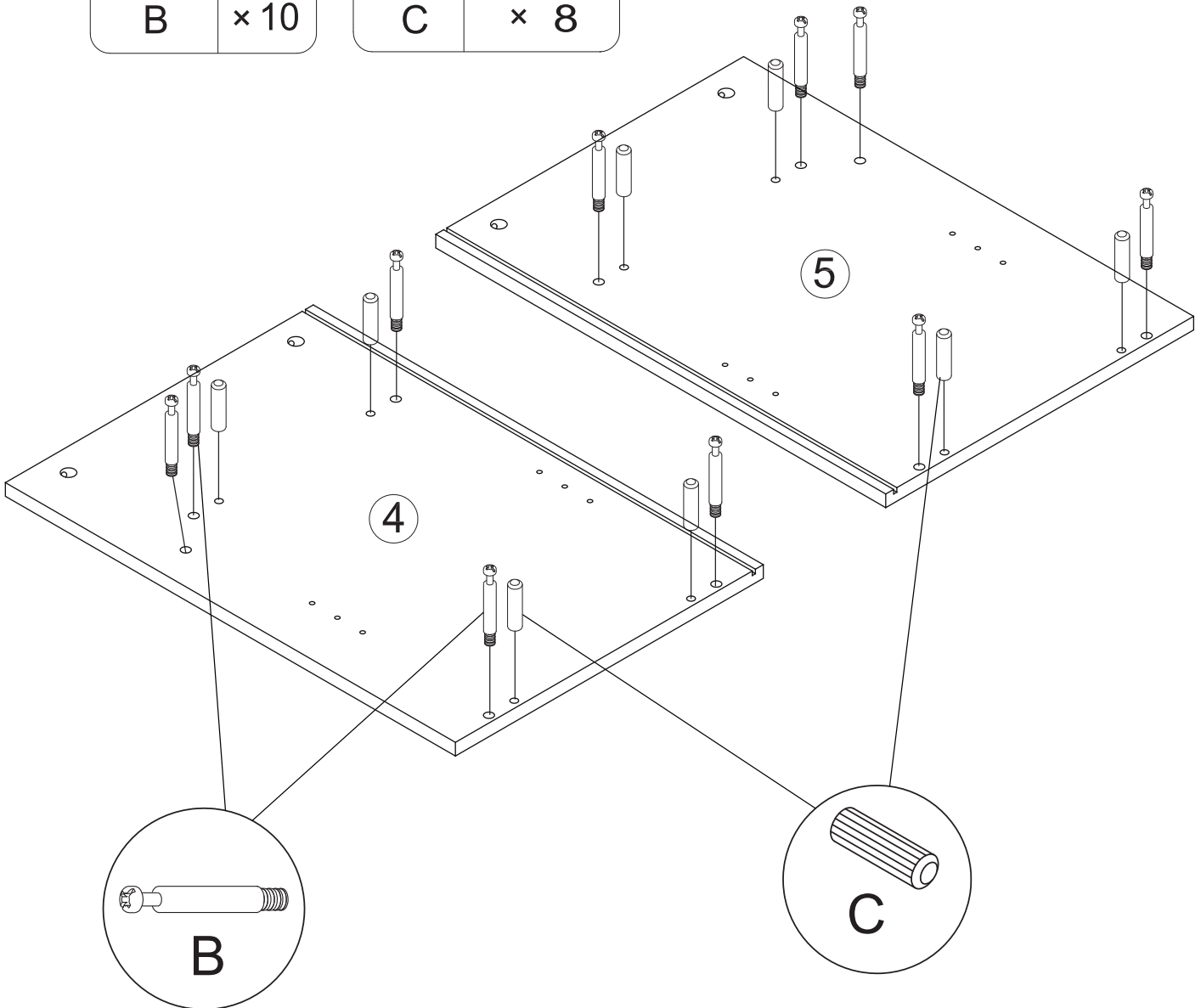
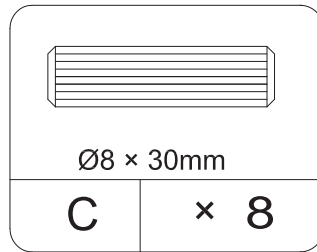
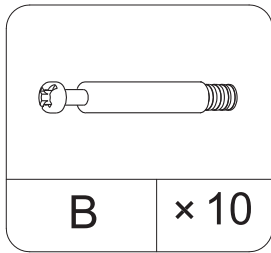


		<p>Arrow must face hole</p>	
<p>Gently screw cam bolt into the threaded anchor.</p>		<p>Lightly glue wood dowel and connect to second panel by inserting dowels into holes.</p>	<p>Screw the camlock firmly into locked position.</p>

Schritt 7

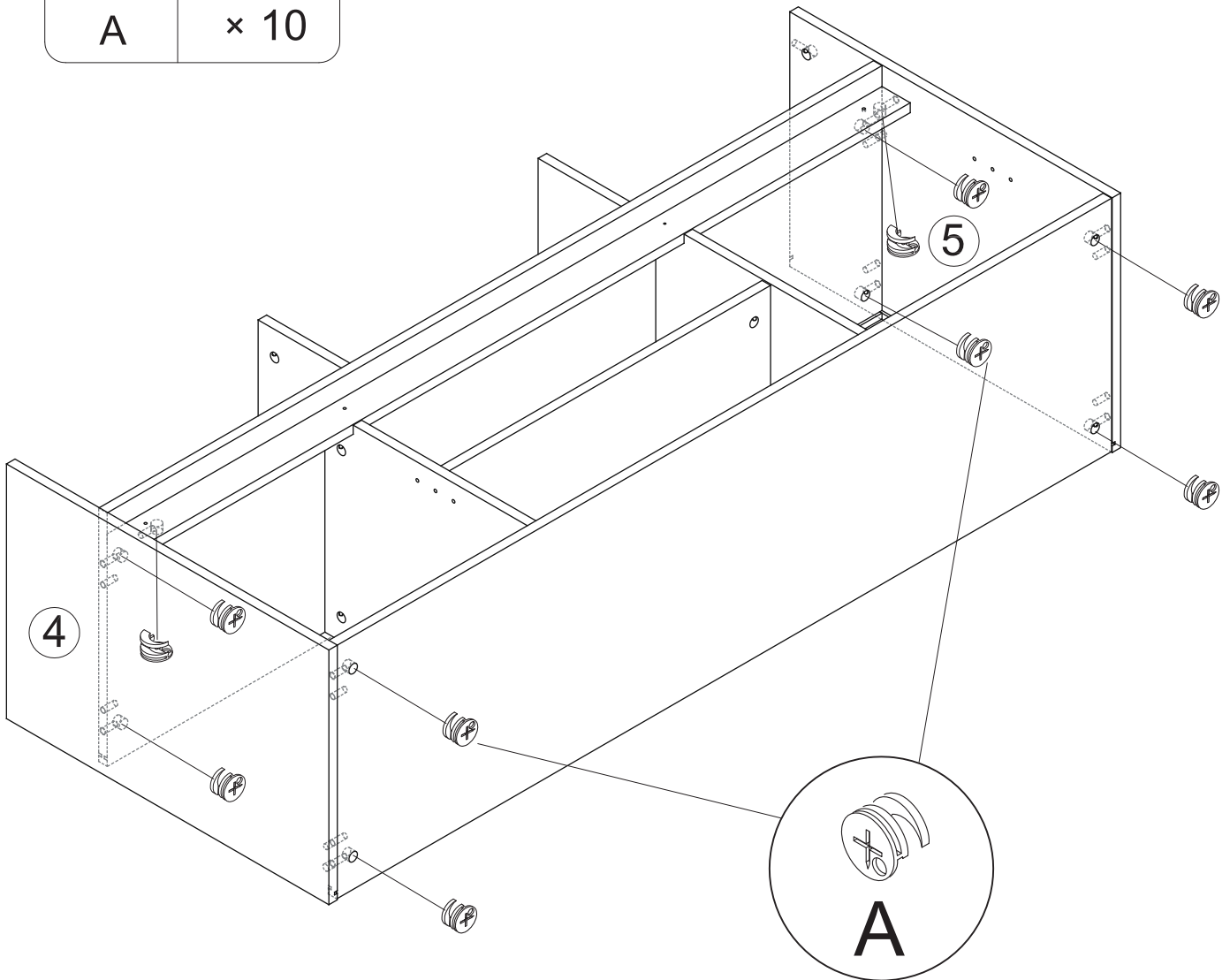
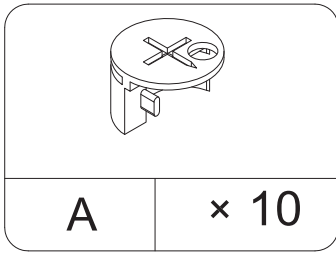


Schritt 8



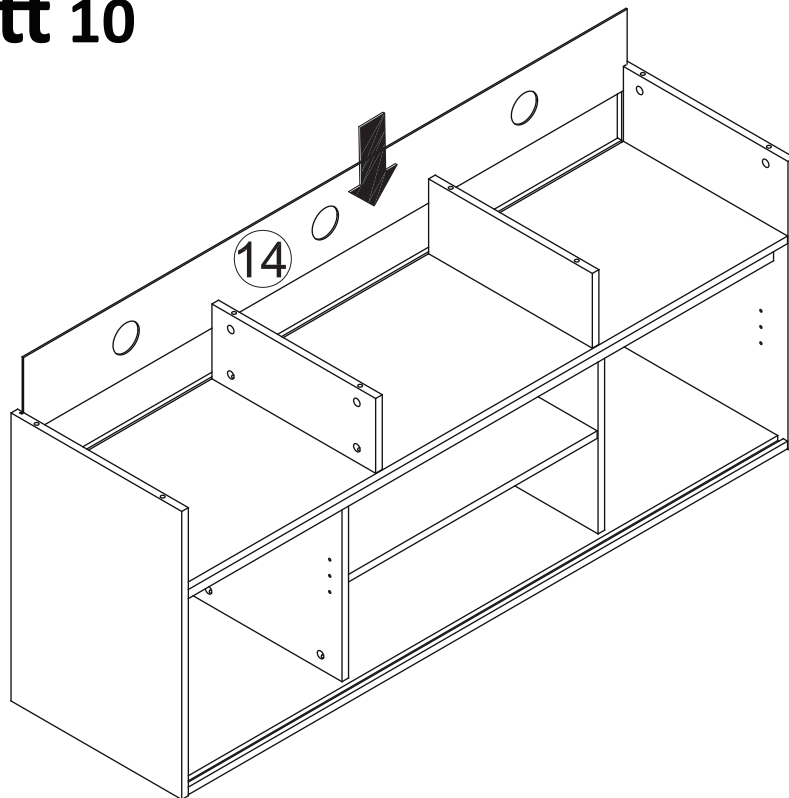
<p>B</p>		<p>Arrow must face hole</p> <p>A</p>	
<p>Gently screw cam bolt into the threaded anchor.</p>		<p>Lightly glue wood dowel and connect to second panel by inserting dowels into holes.</p>	<p>Screw the camlock firmly into locked position.</p>

Schritt 9

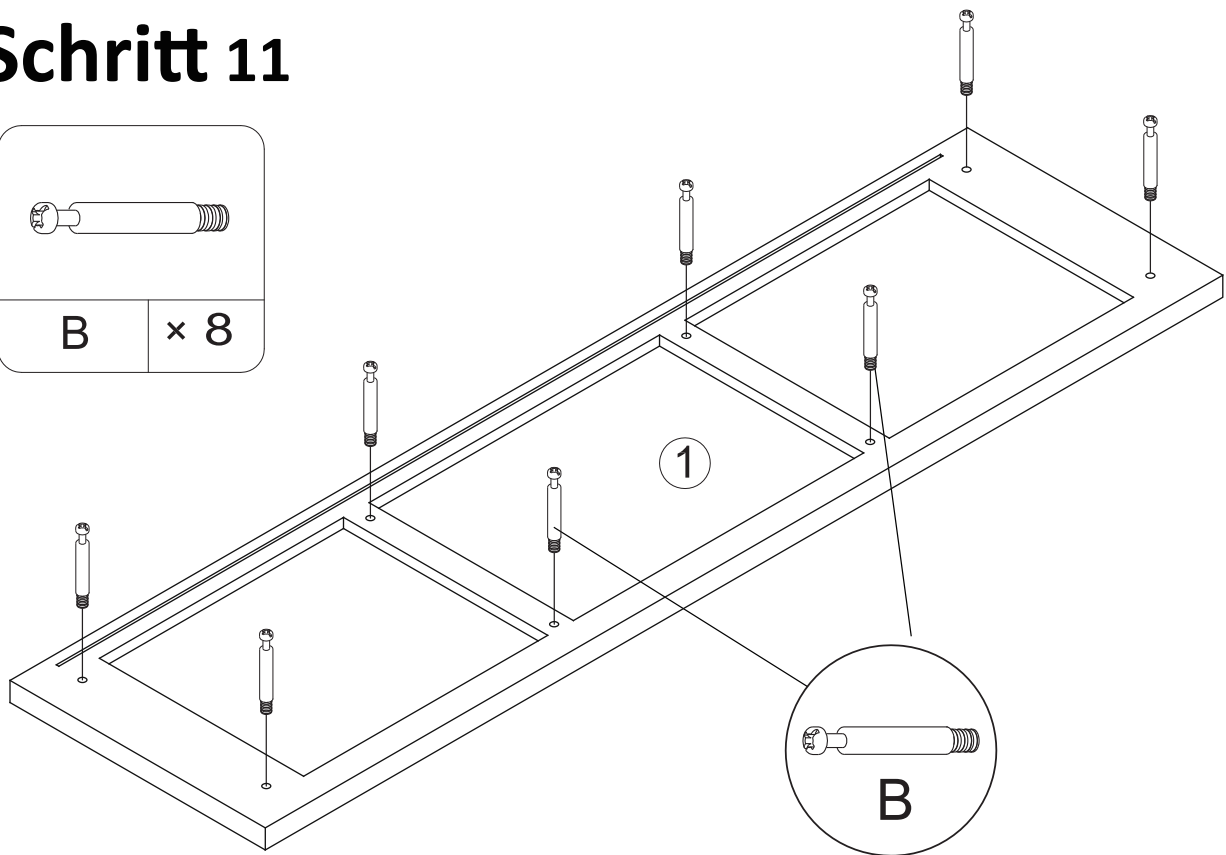
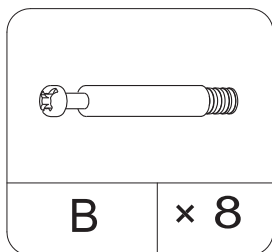


<p>B</p>		<p>Arrow must face hole</p> <p>A</p>	
<p>Gently screw cam bolt into the threaded anchor.</p>		<p>Lightly glue wood dowel and connect to second panel by inserting dowels into holes.</p>	<p>Screw the camlock firmly into locked position.</p>

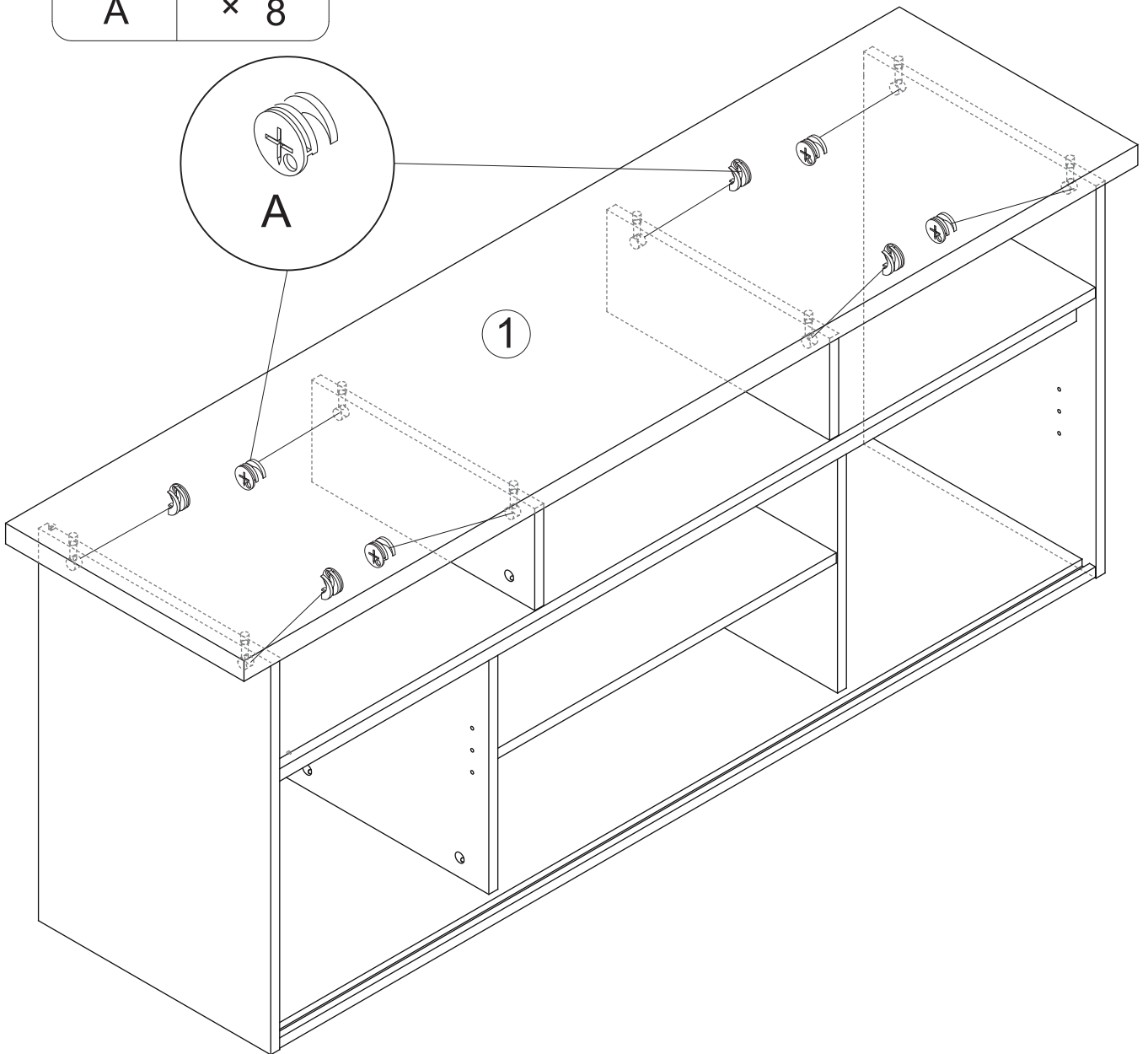
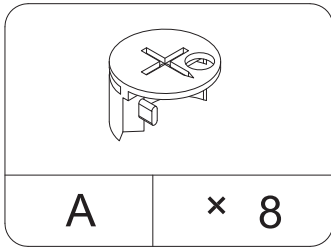
Schritt 10



Schritt 11

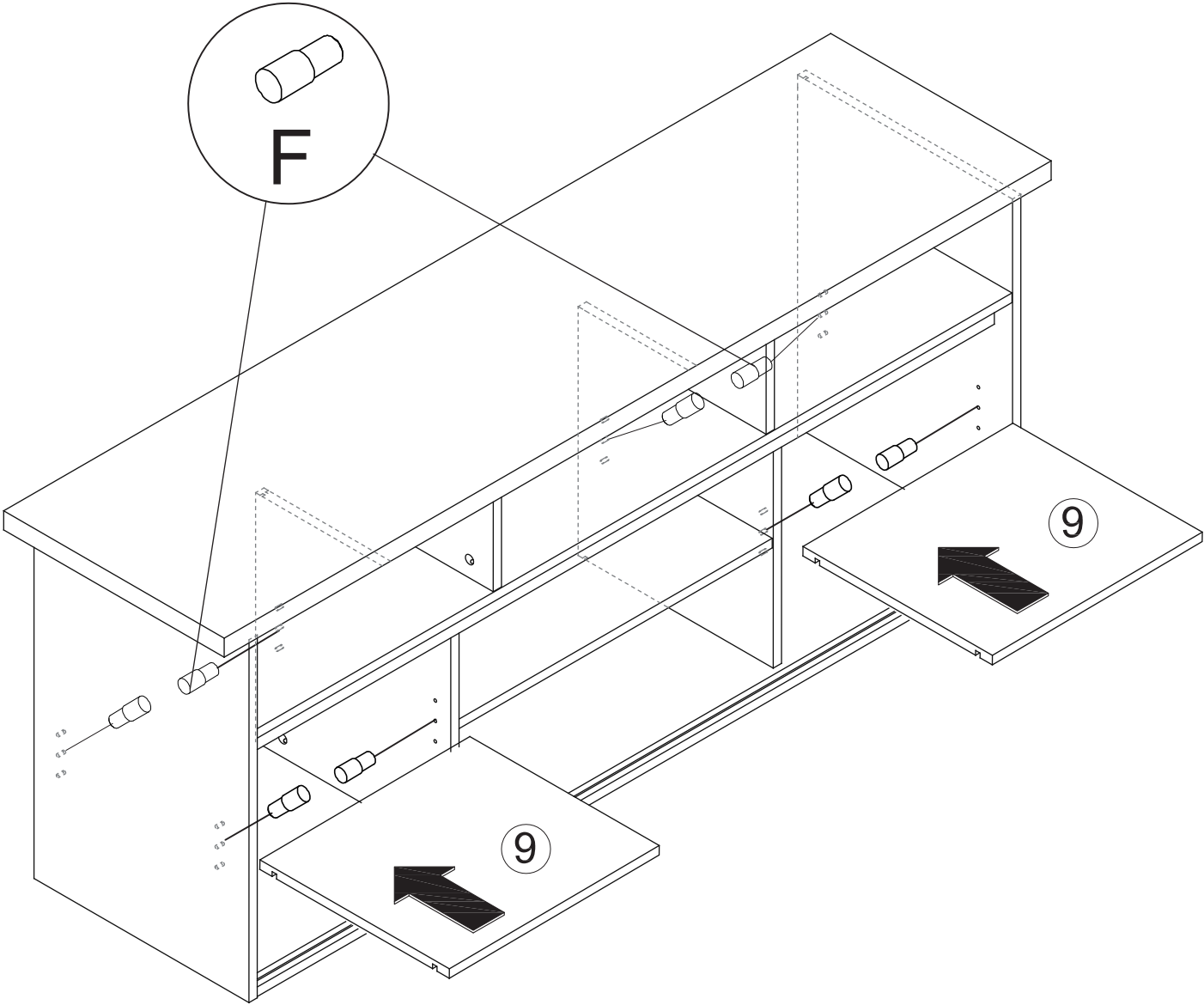
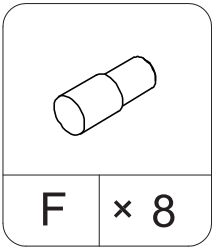


Schritt 11

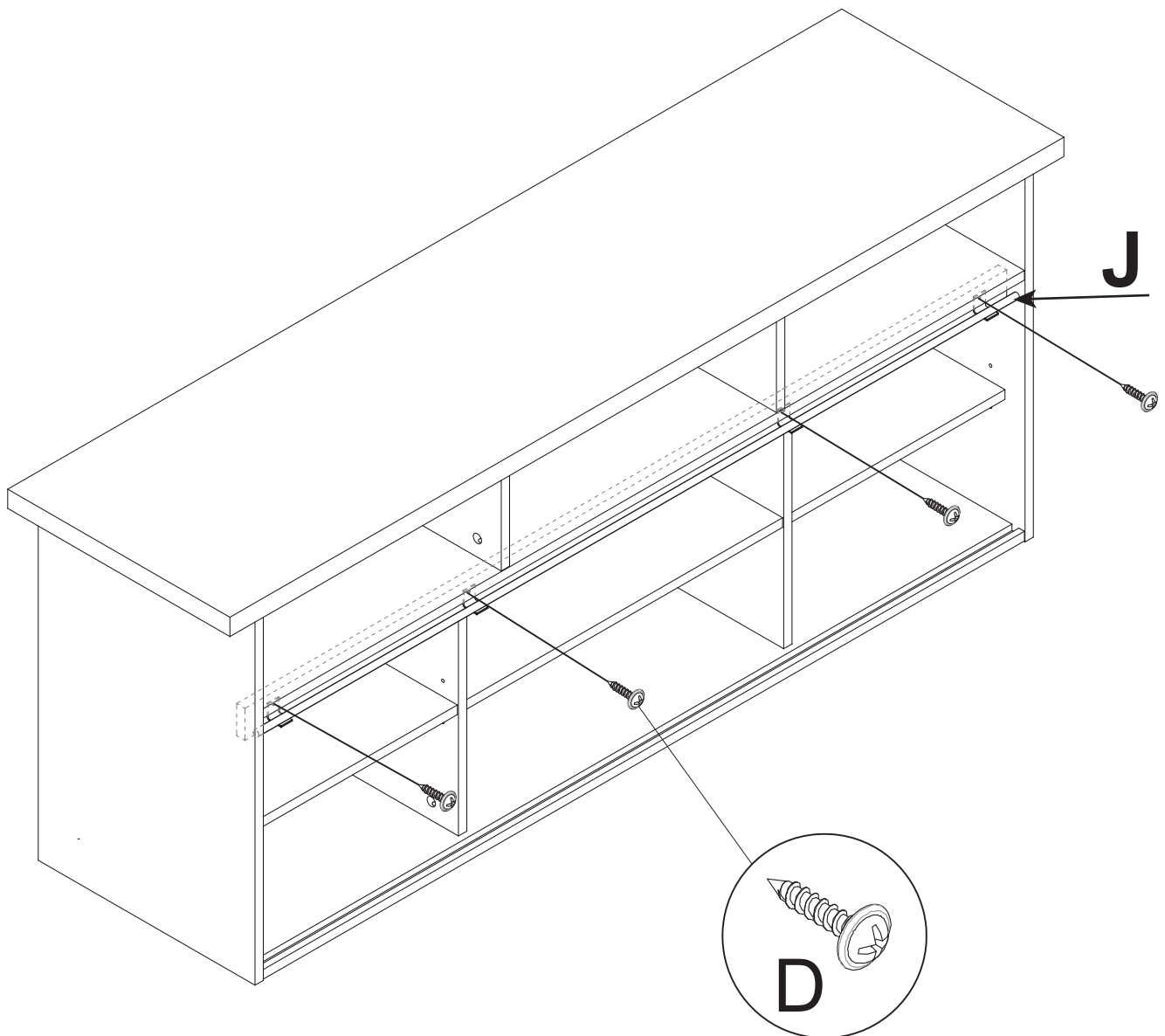
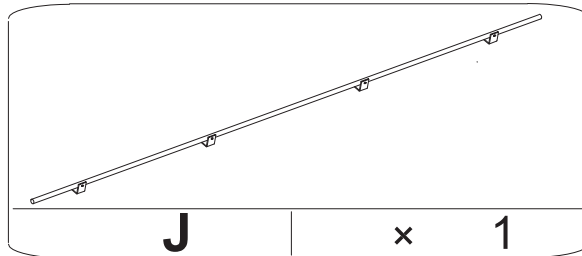
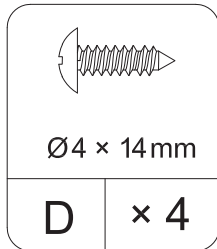


<p>B</p>		<p>Arrow must face hole</p> <p>A</p>	
<p>Gently screw cam bolt into the threaded anchor.</p>		<p>Lightly glue wood dowel and connect to second panel by inserting dowels into holes.</p>	<p>Screw the camlock firmly into locked position.</p>

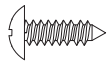

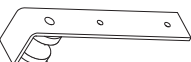
Schritt 12

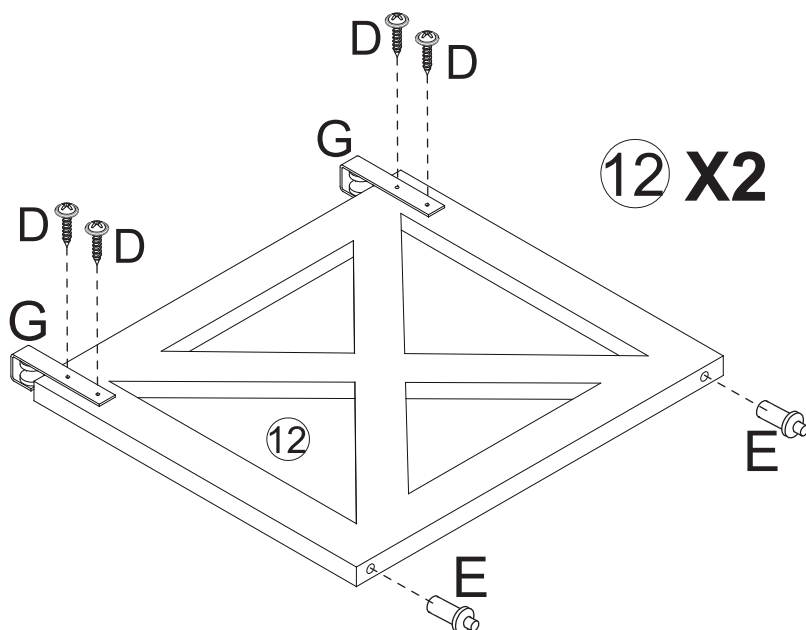


Schritt 13

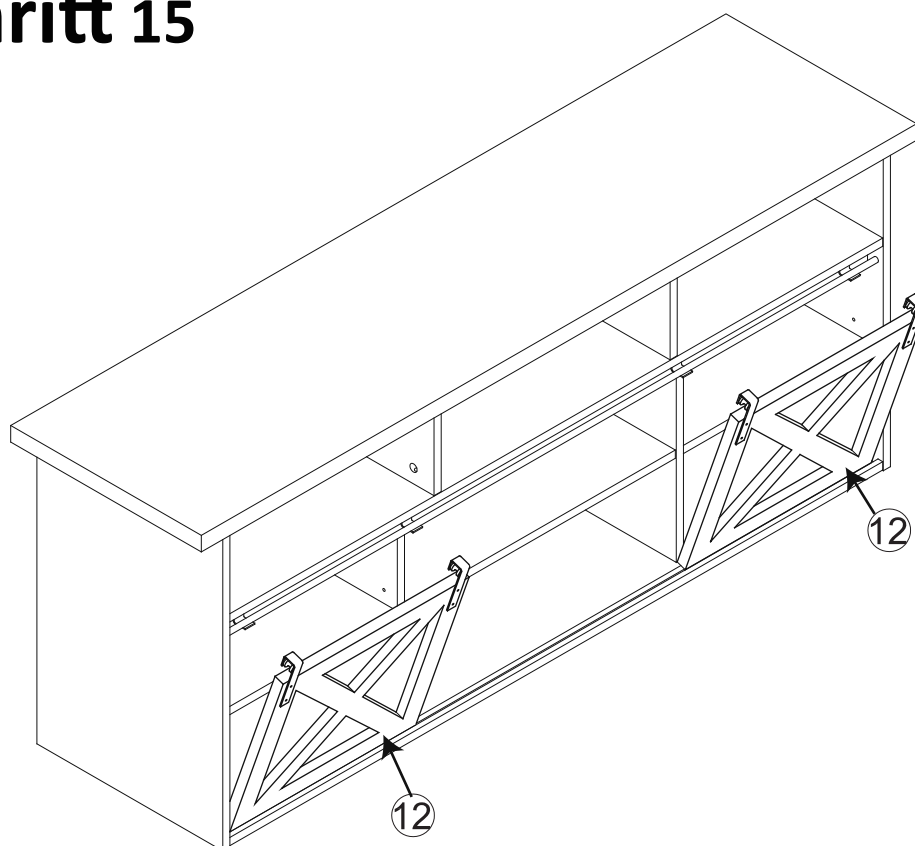


Schritt 14

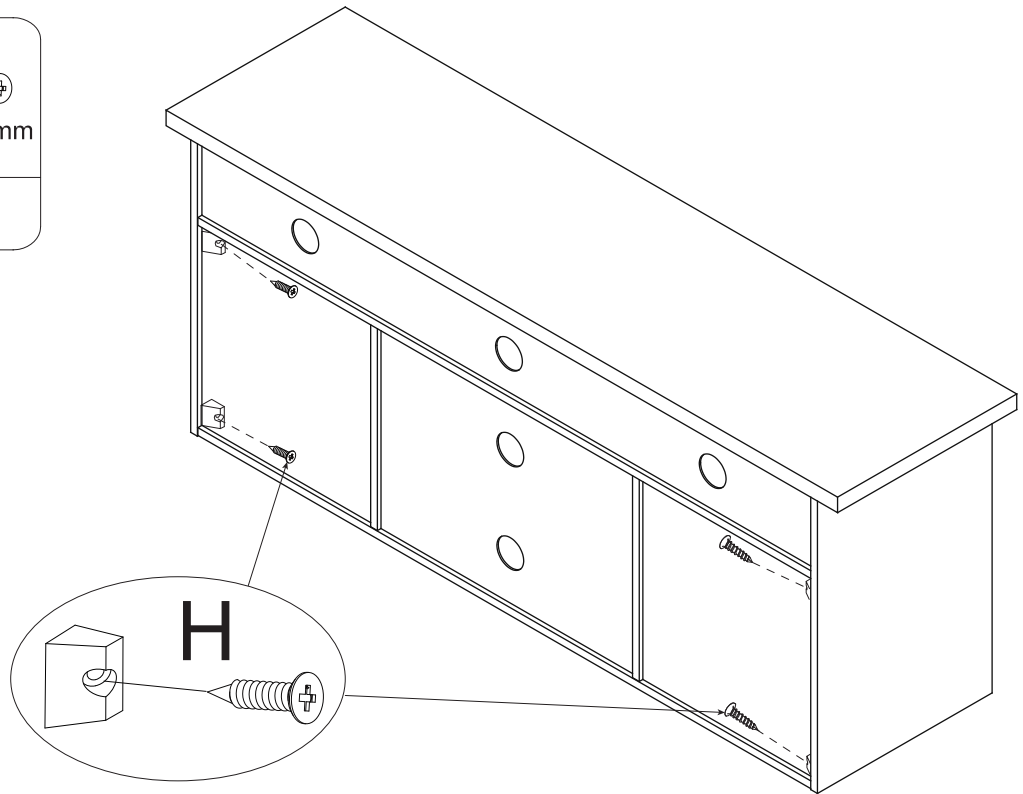
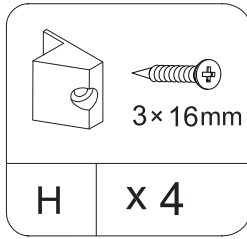
 Ø4 × 14 mm		
D × 8	E × 4	G × 4



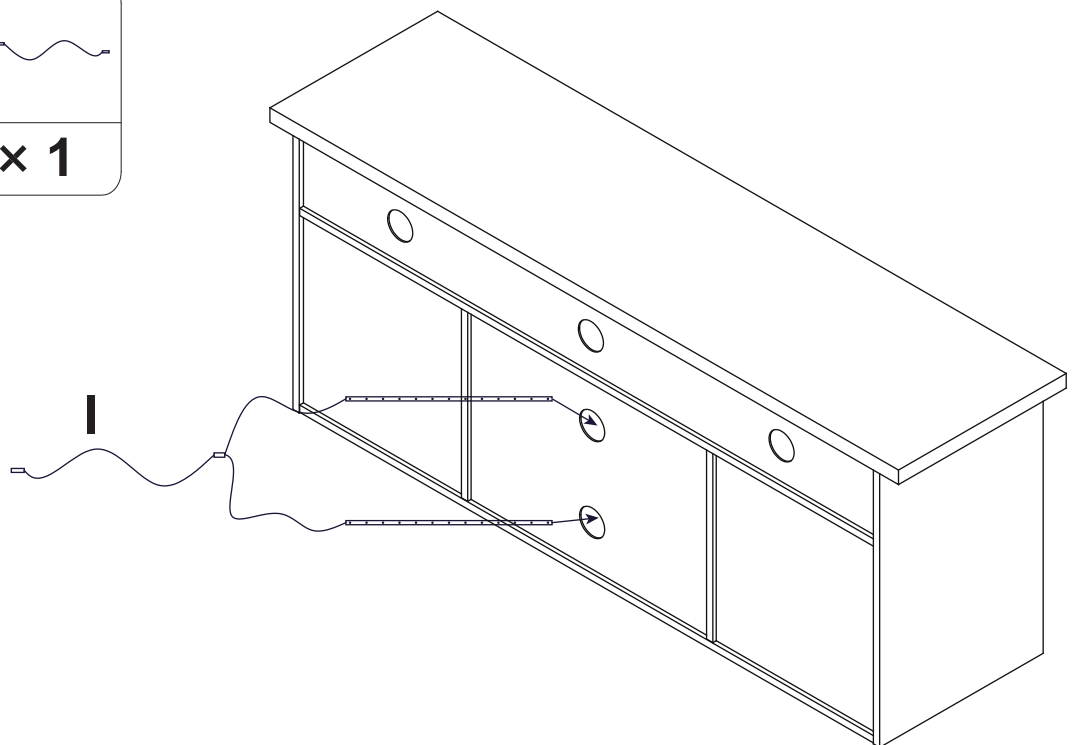
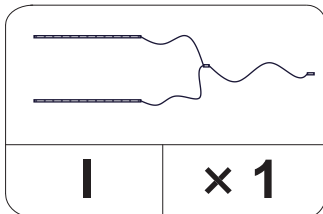
Schritt 15



Schritt 16



Schritt 17



Schritt 18

