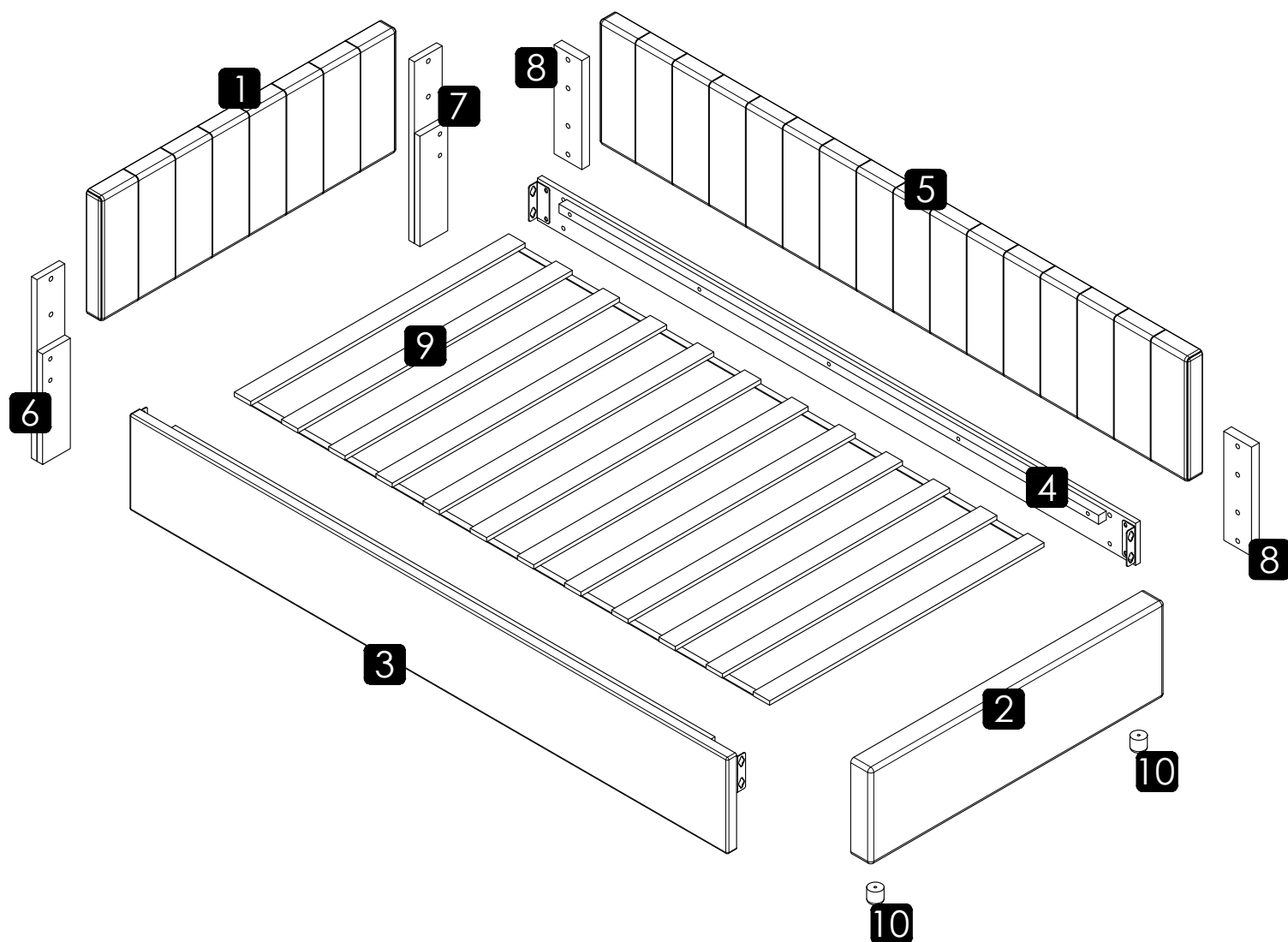
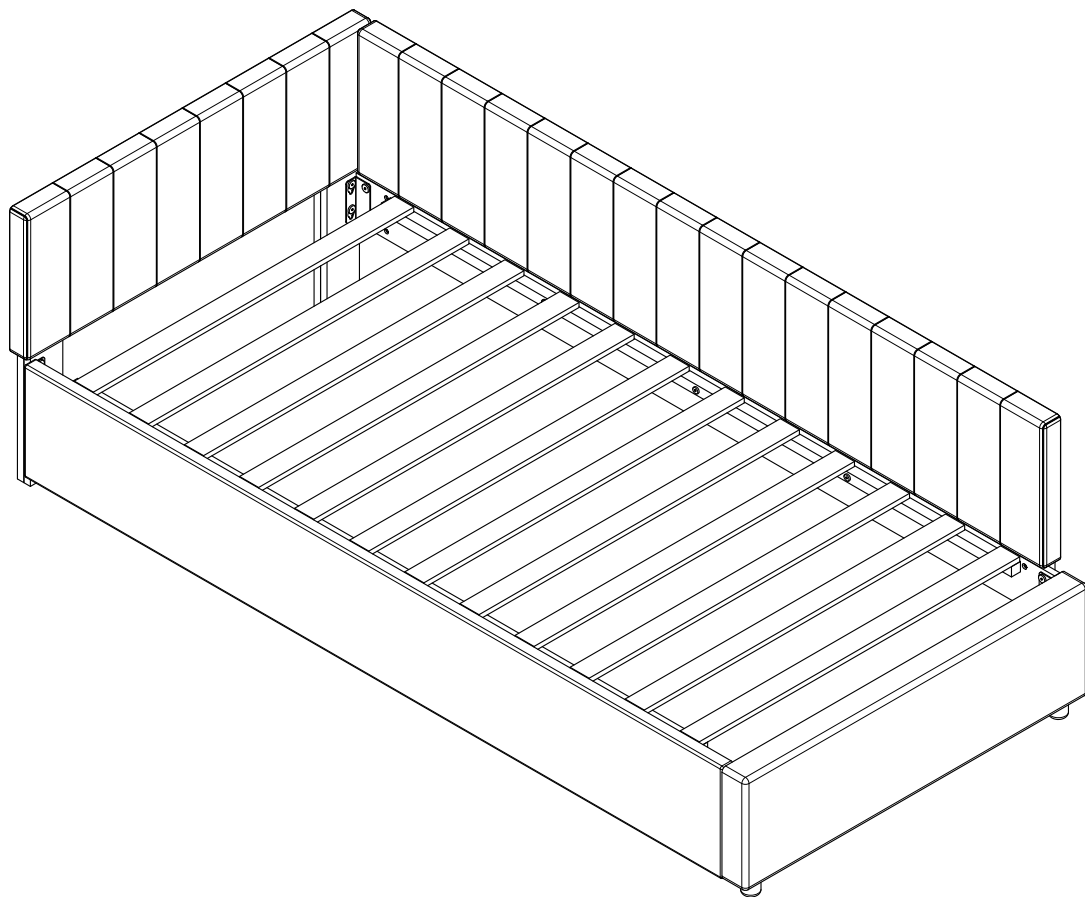


ASSEMBLY INSTRUCTION

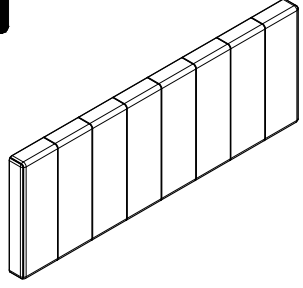
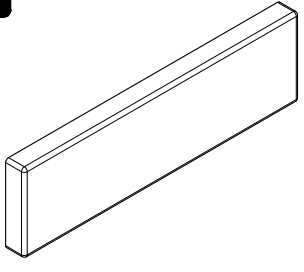
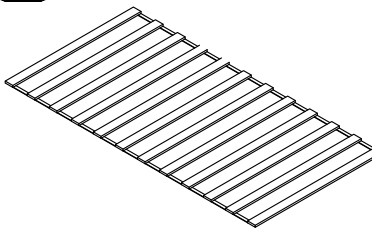
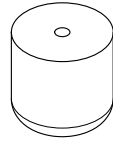
WF316748/WF316749

TIPS

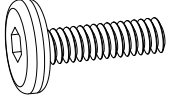
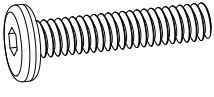


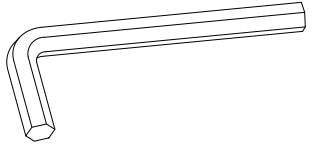
1. Please read the instructions fully before assembly. These instructions include important information which could ensure correct assembly. We have been working on providing high quality products for you. However, in the rare instance that your product is defective, missing parts or there are some issues, please don't hesitate to contact our customer service to submit parts requirements, assembly suggestion, or warranty claims, and we will give the best solution as soon as possible. If necessary, we need you to provide some more clear pictures of the issue.
2. Insert the screws in holes and tighten the screws, but not too tight, 70%~80% is ok, finally tighten all the screws. If some issues happened that some screws can not target to the hole or some parts are difficult to install, please adjust the tightness of the screws.
3. 2 people are recommended to finish.



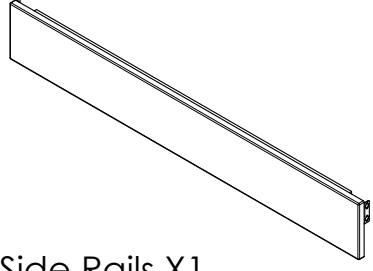
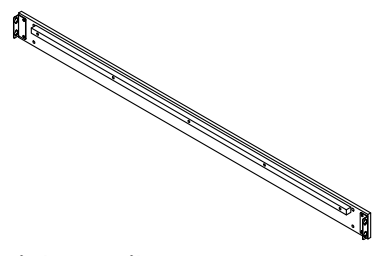
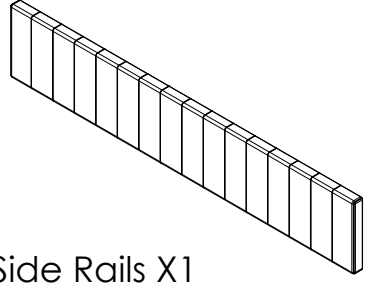
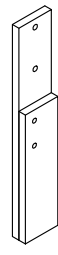
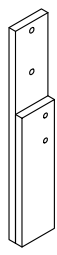

Part List WF316748

<p>1</p>  <p>Headboard X1</p>	<p>2</p>  <p>Footboard X1</p>	<p>9</p>  <p>Slats X1</p>	<p>10</p>  <p>Leg X2</p>
---	---	--	--




Hardware List WF316748

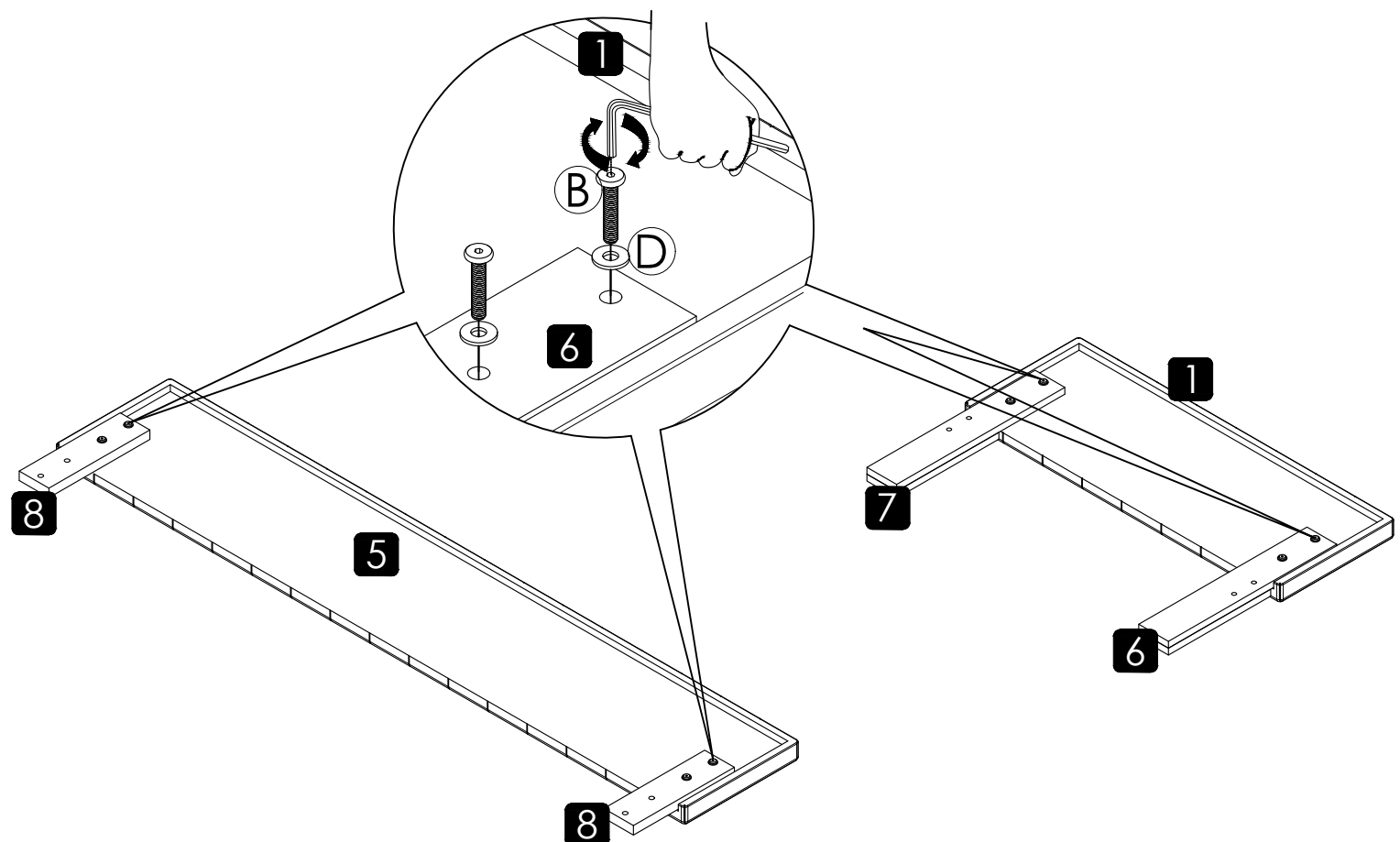
<p>A</p>  <p>Bolts(M8x20mm) X8</p>	<p>B</p>  <p>Bolts(M8x40mm) X12</p>	<p>C</p>  <p>Bolts(M6x30mm) X2</p>	<p>D</p>  <p>Flat Washer X12</p>	<p>L</p>  <p>Allen Key X1</p>
--	---	---	--	---

Part List WF316749

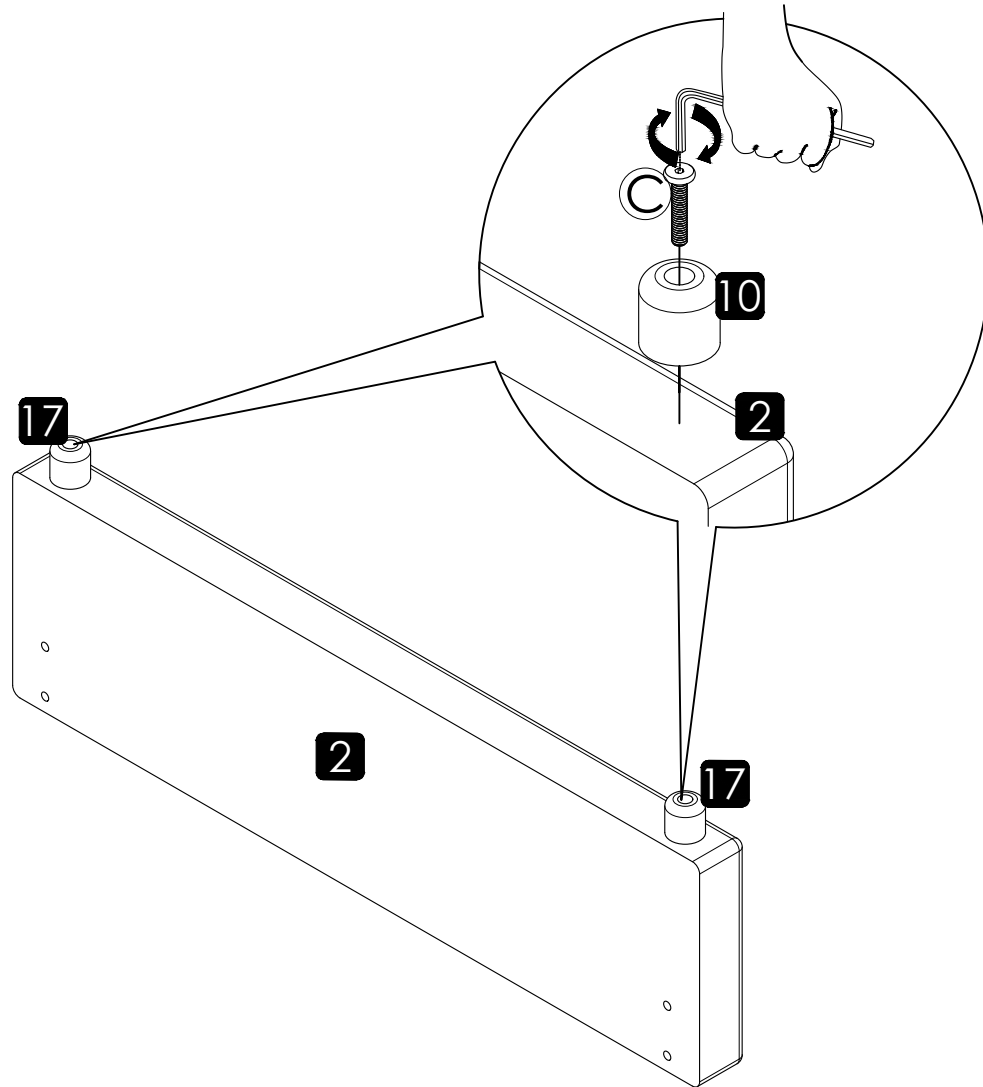
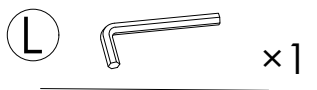
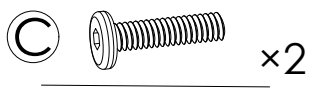
<p>3</p>  <p>Side Rails X1</p>	<p>4</p>  <p>Side Rails X1</p>	<p>5</p>  <p>Side Rails X1</p>	<p>6</p>  <p>Head board leg X1</p>	<p>7</p>  <p>Head board leg X1</p>
<p>8</p>  <p>Connecting plate X2</p>				

Step 1

- B**  x8
- D**  x8
- L**  x1

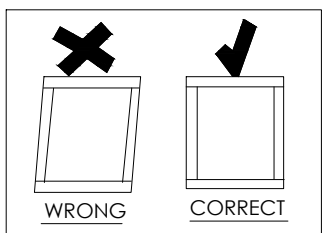
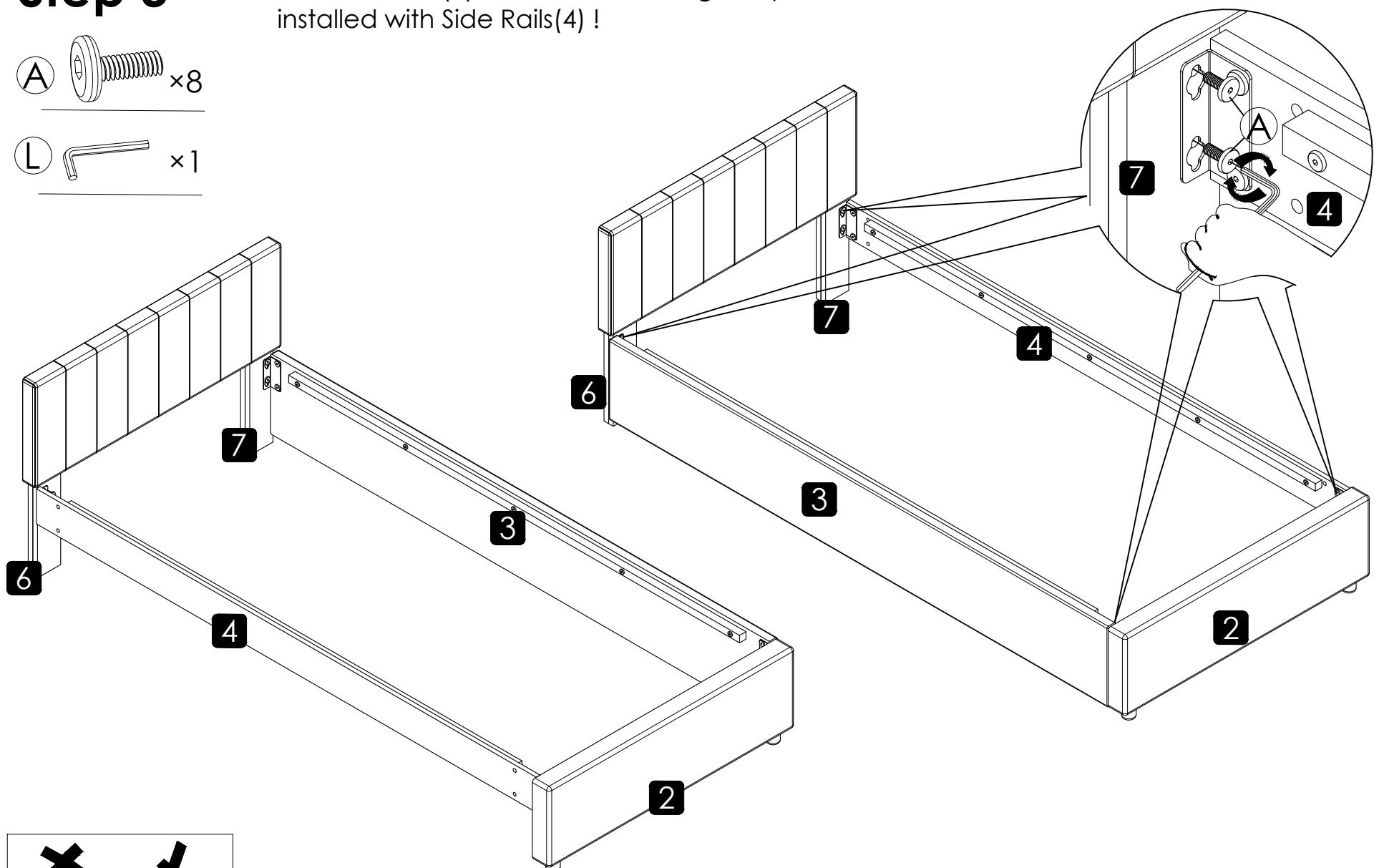
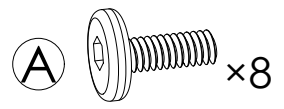


Step 2




Step 3

NB: Side Rails (3) can be interchangeably installed with Side Rails(4) !

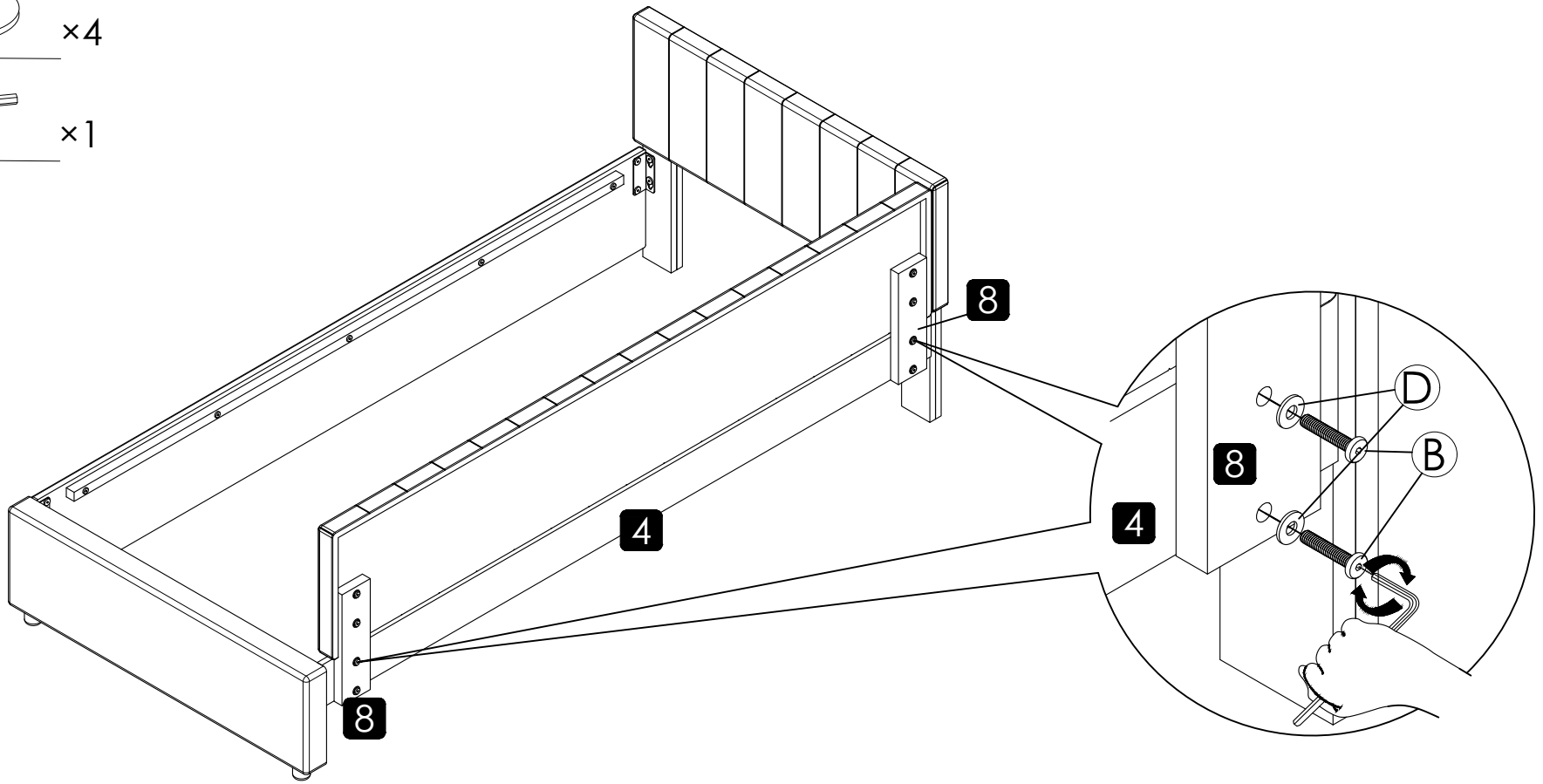


Step 4

B  ×4

D  ×4

L  ×1



Step 5

