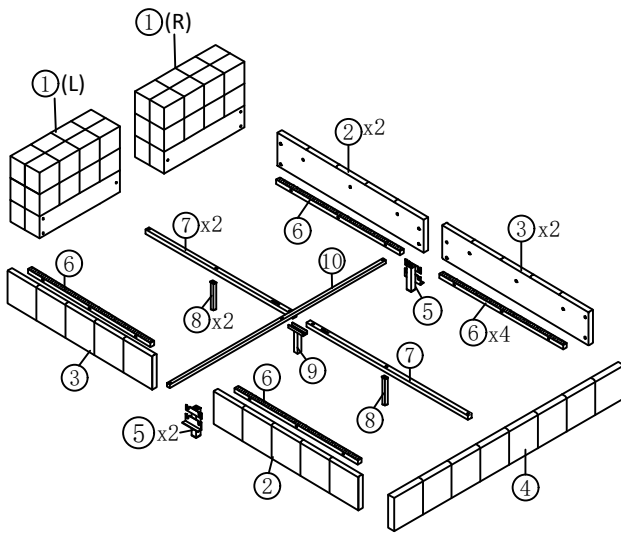
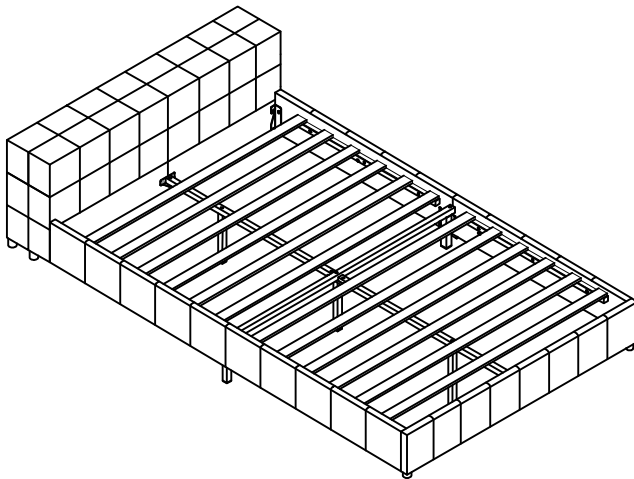


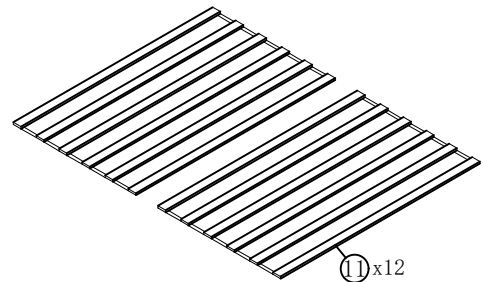
ASSEMBLY INSTRUCTION







Item Number: WF326059 / WF326060 / WF326061
Upholstered Bed 140x200



TIPS

1. This product is divided into 2 parcels for delivery. They may not arrive at the same time. Please wait patiently.
2. Please read the instructions fully before assembly. These instructions include important information which could ensure correct assembly. We have been working on providing high quality products for you. However, in the rare instance that your product is defective, missing parts or there are some issues, please don't hesitate to contact our customer service to submit parts requirements, assembly suggestion, or warranty claims, and we will give the best solution as soon as possible. If necessary, we need you to provide some more clear pictures of the issue.
3. Insert the screws in holes and tighten the screws, but not too tight, 70%~80% is ok, finally tighten all the screws. If some issues happened that some screws can not target to the hole or some parts are difficult to install, please adjust the tightness of the screws.
4. 2 people are recommended to finish

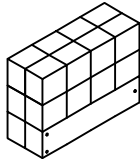


Parts List			Hardware List		
NO	ITEM	QTY	NO	ITEM	QTY
1	Head board	2	A	Allen Key 	1
2	Siderails	2	B	Bolts (M8x40mm) 	21
3	Siderails	2	C	Bolts (M8x18mm) 	28
4	Foot board	1	D	Hinge 	4
5	Side rails support legs	2	E	Bed legs 	10
6	Side rails support bar	4	F	Center support bar fittings 	2
7	Center support bar	2			
8	Middle support leg	2			
9	Connected support leg	1			
10	Cross bar	1			
11	Slats	12			

Part List

WF326059

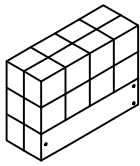
1L



Head board-1pc

WF326060

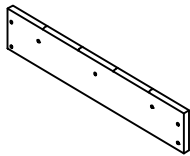
1R



Head board-1pc

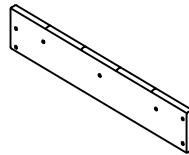
Hardware List+WF326061

2



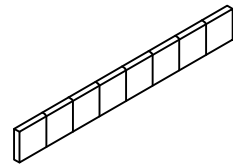
Siderails-2pcs

3



Siderails-2pcs

4



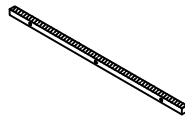
Foot board-1pc

5



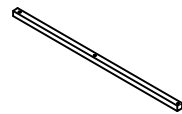
Side rails support legs-2pcs

6



Side rails support bar-4pcs

7



Center support bar-2pcs

8



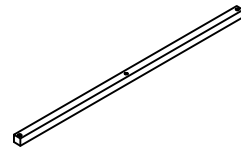
Middle support leg-2pcs

9



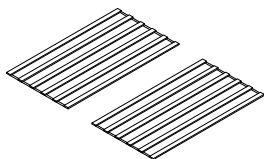
Connected support leg-1pc

10



Cross bar-1pc

11

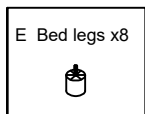
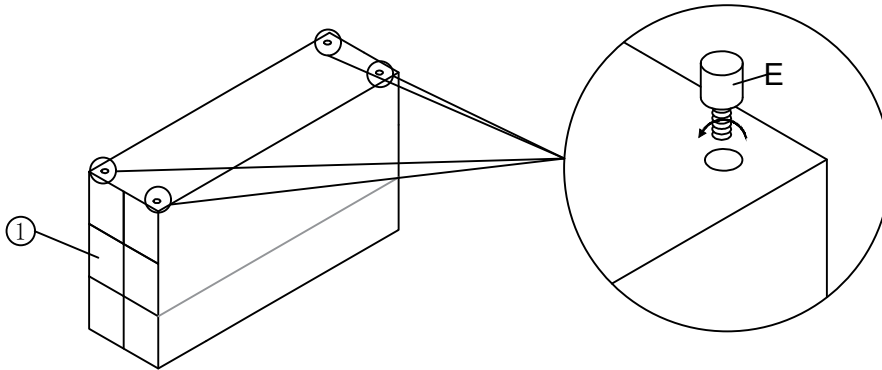


Slats-12pcs

Attention: Do not tighten the screws before completing the entire installation. If you have any difficulty with the installation process, please feel free to contact us.

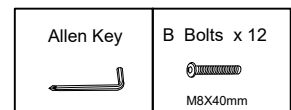
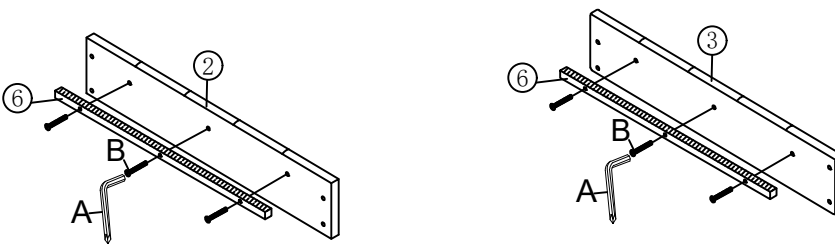
Step 1 x2

Fix the four legs E to the headboard ①.
(Befestigen Sie die vier Beine E am Kopfteil ①.)



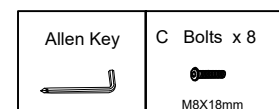
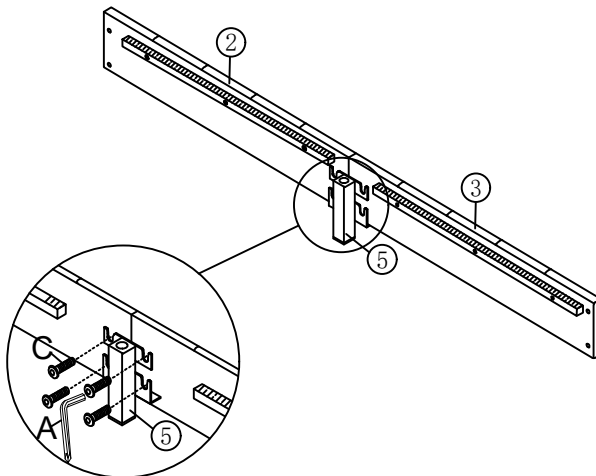
Step 2 x2

Connect Siderail support bar ⑥ to Siderails ② and ③ with Bolts B by using Allen key A.
(Verbinden Sie die Seitengitter-Stützstange ⑥ mit den Schrauben B und dem Inbusschlüssel A mit den Seitengittern ② und ③.)



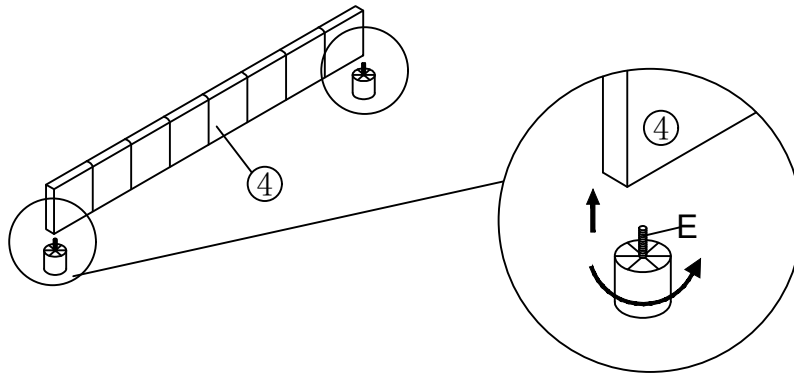
Step 3 x2

Fix the Side rails support leg ⑤ to the side rail with Bolts C by using Allen key A.
(Befestigen Sie das Seitengitter-Stützbein ⑤ mit den Schrauben C und dem Inbusschlüssel A am Seitengitter.)



Step 4

Fix the two legs E to the footboard ④ .
 (Fixieren Sie die beiden Beine E am Trittbrett ④.)

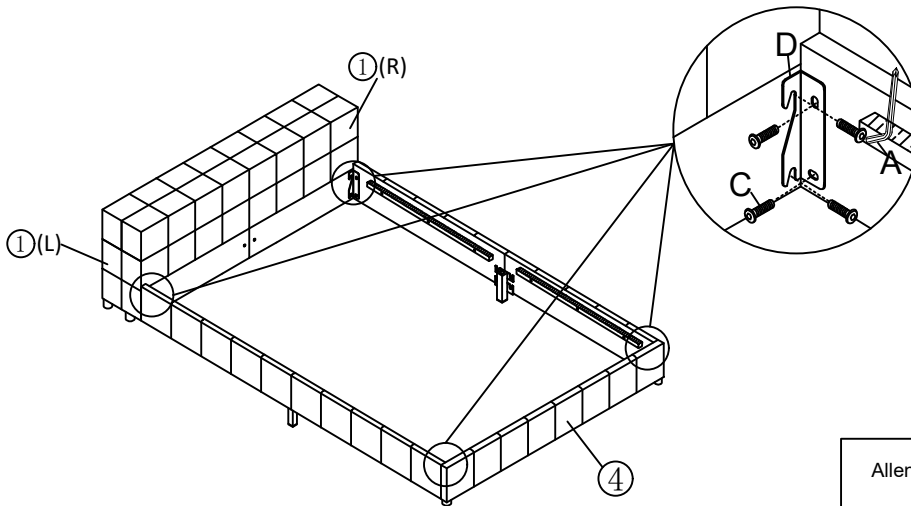





E Bed legs x2



Step 5

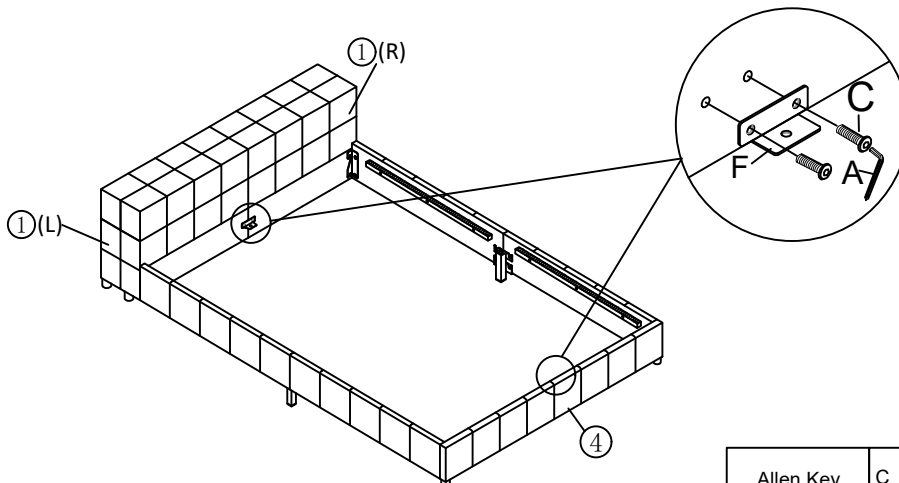
Fix the assembled side rail to the Headboard ① (L) and ① (R) and foot board ④ with Bolts C and Hinge D by using Allen key A.
 (Befestigen Sie die montierte Seitenschiene am Kopfteil ① (L) und ① (R) und Fußbrett ④ mit Schrauben C und Scharnier D mit Inbusschlüssel A.)






Allen Key 	C Bolts x 16  M8X18mm	D Hinge x 4 
--	--	--

Step 6

Fix the Center support bar fittings F to the Headboard ① (L) and ① (R) and foot board ④ with Bolts C by using Allen key A.
 (Fixieren Sie die Mittelhalterung F am Kopfteil ① (L) und ① (R) und Fußteil ④ mit Schrauben C mit Inbusschlüssel A.)

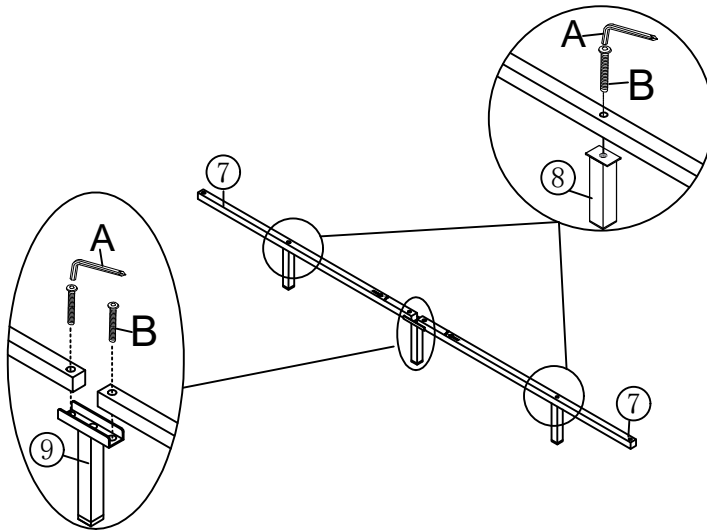




Allen Key 	C Bolts x 4  M8X18mm	F Center support bar fittings x2 
---	---	---

Step 7

Fix the middle support leg ⑧ to the center support bar ⑦ with Bolts B by using Allen key A. Fix the connected support leg ⑨ to the center support bar ⑦ with Bolts B by using Allen key A.

(Befestigen Sie das mittlere Stützbein ⑧ mit den Schrauben B mit dem Inbusschlüssel A an der mittleren Stützstange ⑦. Befestigen Sie das verbundene Stützbein ⑨ mit den Schrauben B mit dem Inbusschlüssel A an der mittleren Stützstange ⑦.)

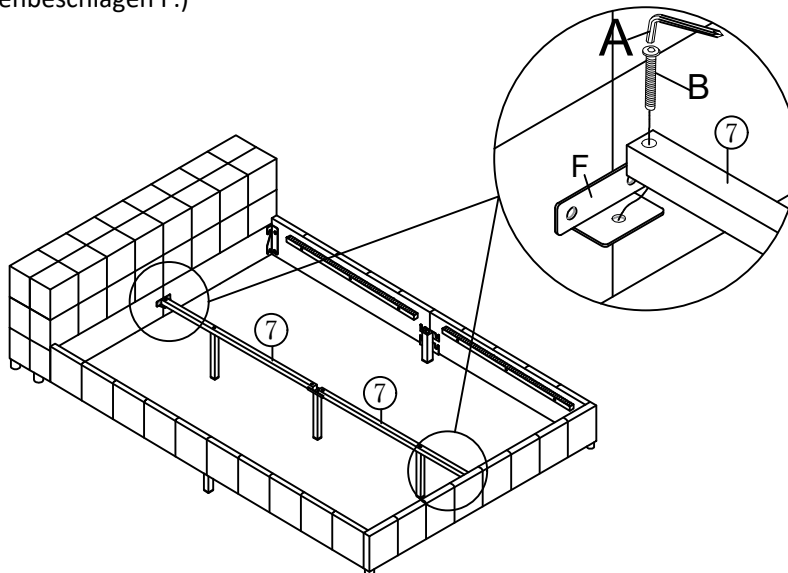




Allen Key	B Bolts x 4
	 M8X40mm

Step 8

Fix the Center support bar ⑦ to the Center support bar fittings F with Bolts B by using Allen key A.

(Befestigen Sie die mittlere Stützstange ⑦ mit den Schrauben B und dem Inbusschlüssel A an den mittleren Stützstangenbeschlägen F.)

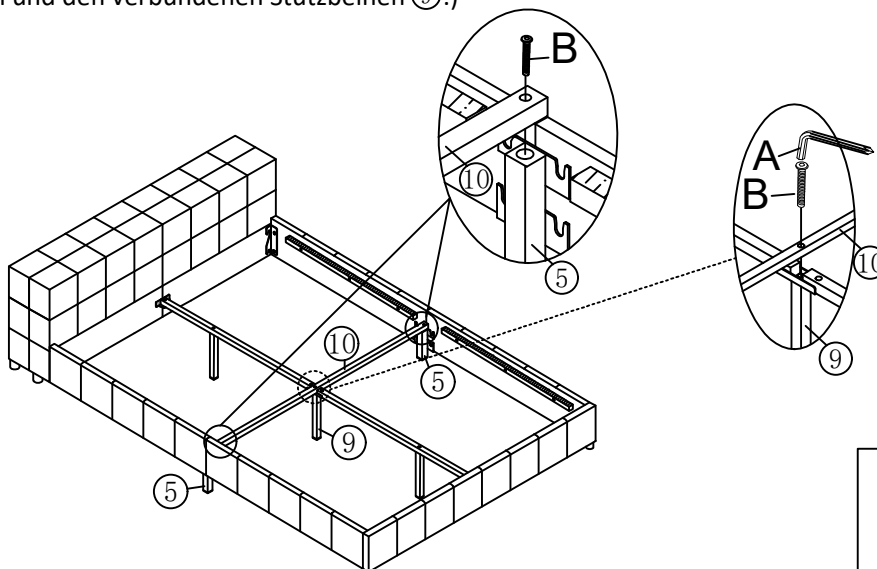




Allen Key	B Bolts x 2
	 M8X40mm

Step 9

Fix the cross bar ⑩ to the side rails support legs ⑤ and Connected support legs ⑨ with Bolts B by using Allen key A.

(Befestigen Sie die Querstange ⑩ mit den Schrauben B und dem Inbusschlüssel A an den Stützbeinen ⑤ der Seitenschienen und den verbundenen Stützbeinen ⑨.)



Allen Key	B Bolts x 3
	 M8X40mm

Step 10

Fix the slats ① to the side support bar ⑥, then assemble is finished, now please tighten all hardware and enjoy the bed.
(Befestigen Sie die Lamellen ① an der seitlichen Stützstange ⑥, der Zusammenbau ist abgeschlossen.)

