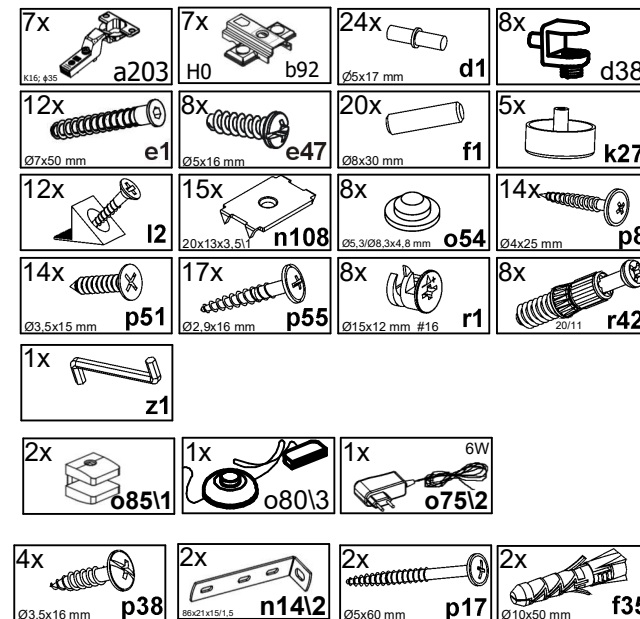
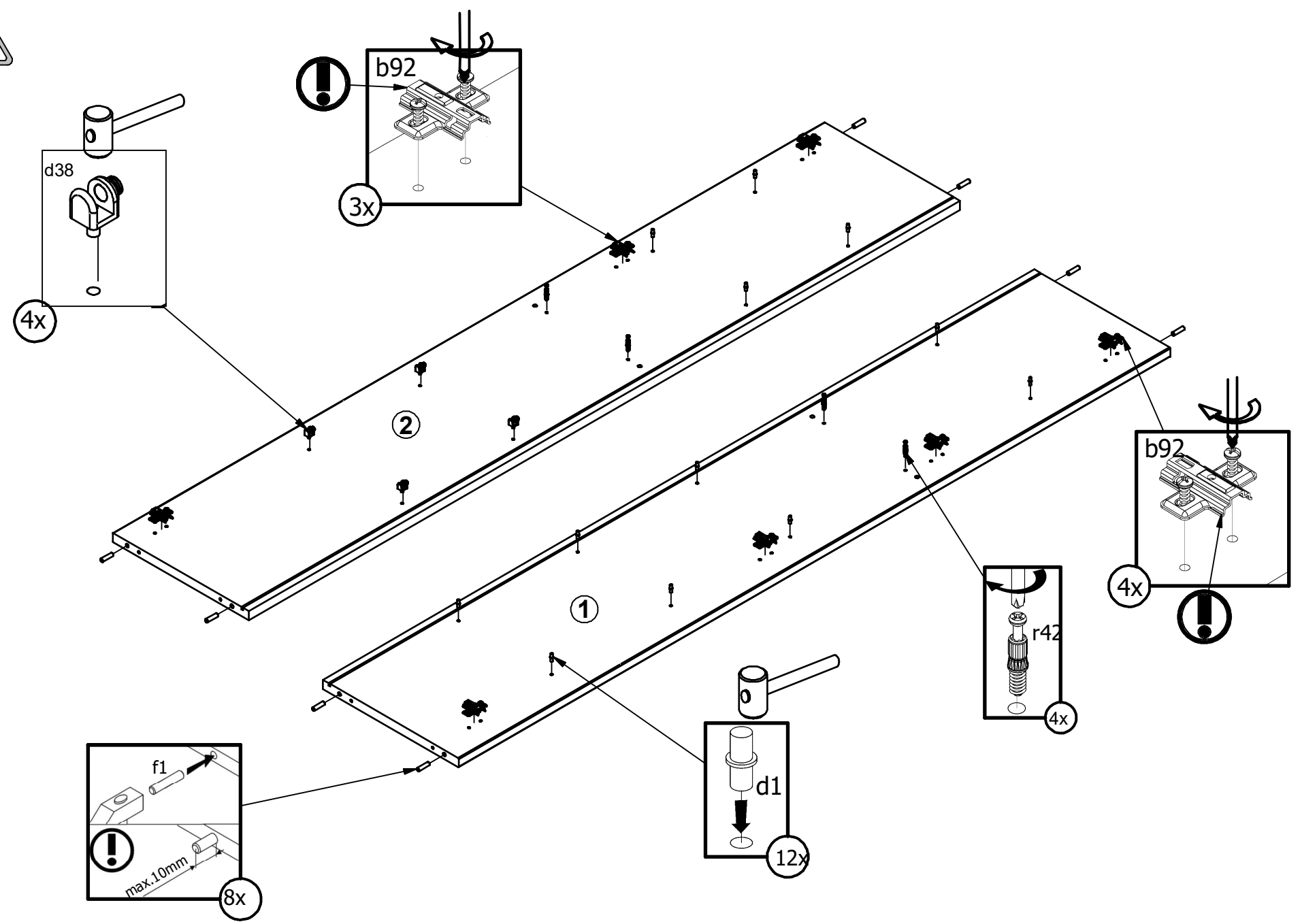


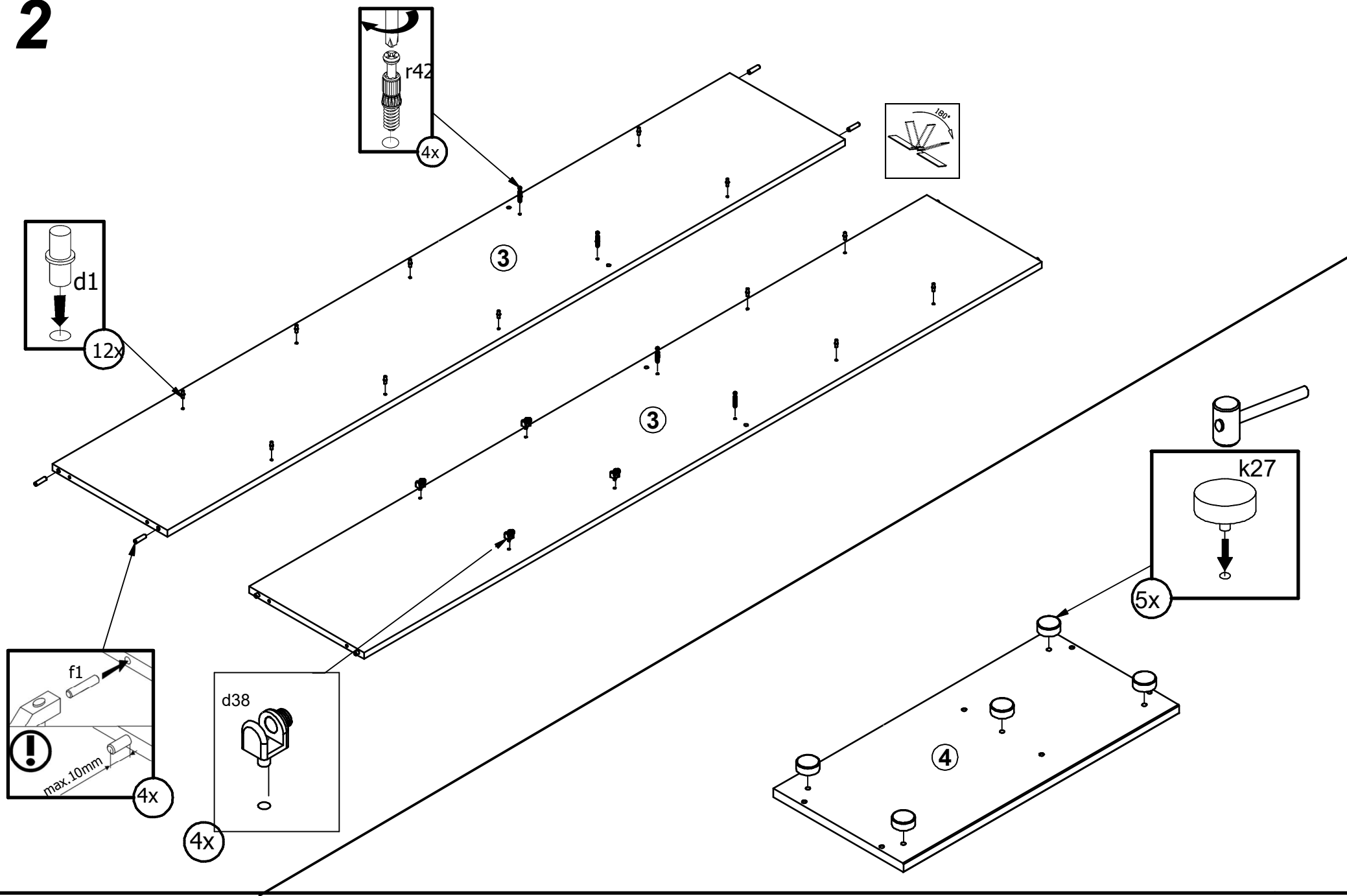
| A  | B         | C1   | C2   | C3  | D   |
|----|-----------|------|------|-----|-----|
| 1  | S551-1001 | 1956 | 374  | 22  | 2/3 |
| 2  | S551-1002 | 1956 | 374  | 22  | 2/3 |
| 3  | S551-1003 | 1956 | 332  | 16  | 2/3 |
| 4  | S551-2001 | 795  | 376  | 22  | 1/3 |
| 5  | S551-2002 | 795  | 376  | 22  | 1/3 |
| 6  | S551-3001 | 441  | 322  | 16  | 3/3 |
| 7  | S551-3002 | 442  | 332  | 16  | 3/3 |
| 8  | S551-3003 | 291  | 322  | 16  | 1/3 |
| 9  | S551-3004 | 292  | 332  | 16  | 1/3 |
| 10 | S551-3005 | 435  | 320  | 6   | 1/3 |
| 11 | S551-5501 | 980  | 437  | 4   | 3/3 |
| 12 | S551-7001 | 296  | 1232 | 19  | 3/3 |
| 13 | S551-7002 | 296  | 718  | 19  | 3/3 |
| 14 | S551-7003 | 446  | 156  | 19  | 3/3 |
| 15 | S551-7004 | 446  | 156  | 19  | 3/3 |
| 16 | S551-7005 | 446  | 718  | 19  | 3/3 |
| 17 | S551-7302 | 288  | 100  | 12  | 3/3 |
| 18 | S551-7303 | 438  | 100  | 12  | 3/3 |
| 19 | S551-9001 | 1966 | 305  | 2,5 | 2/3 |
| 20 | S551-9002 | 840  | 455  | 2,5 | 3/3 |
| 21 | S551-9012 | 455  | 1126 | 2,5 | 3/3 |



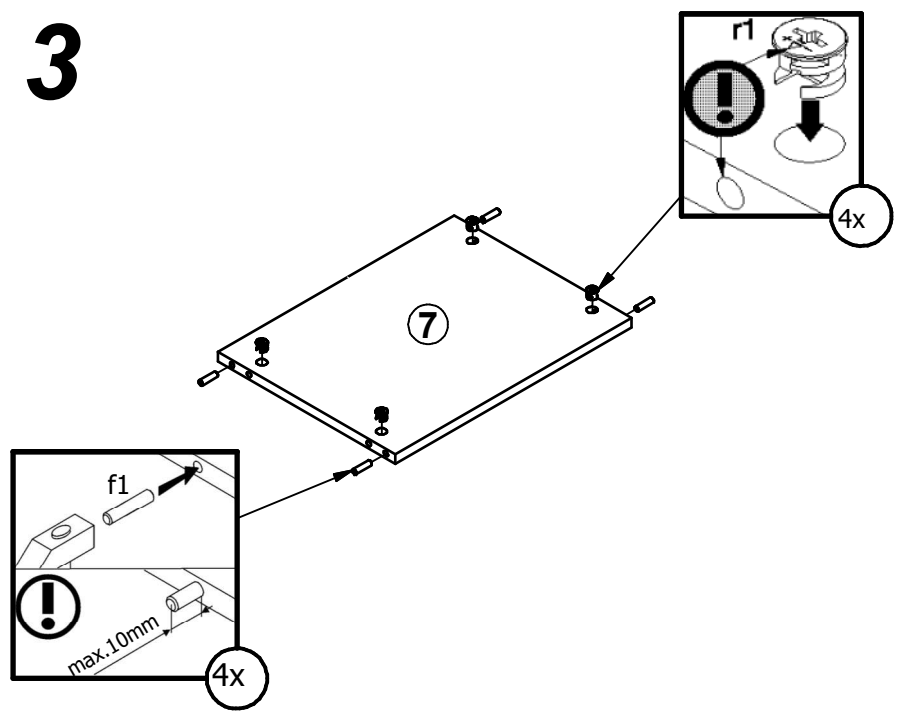
1 



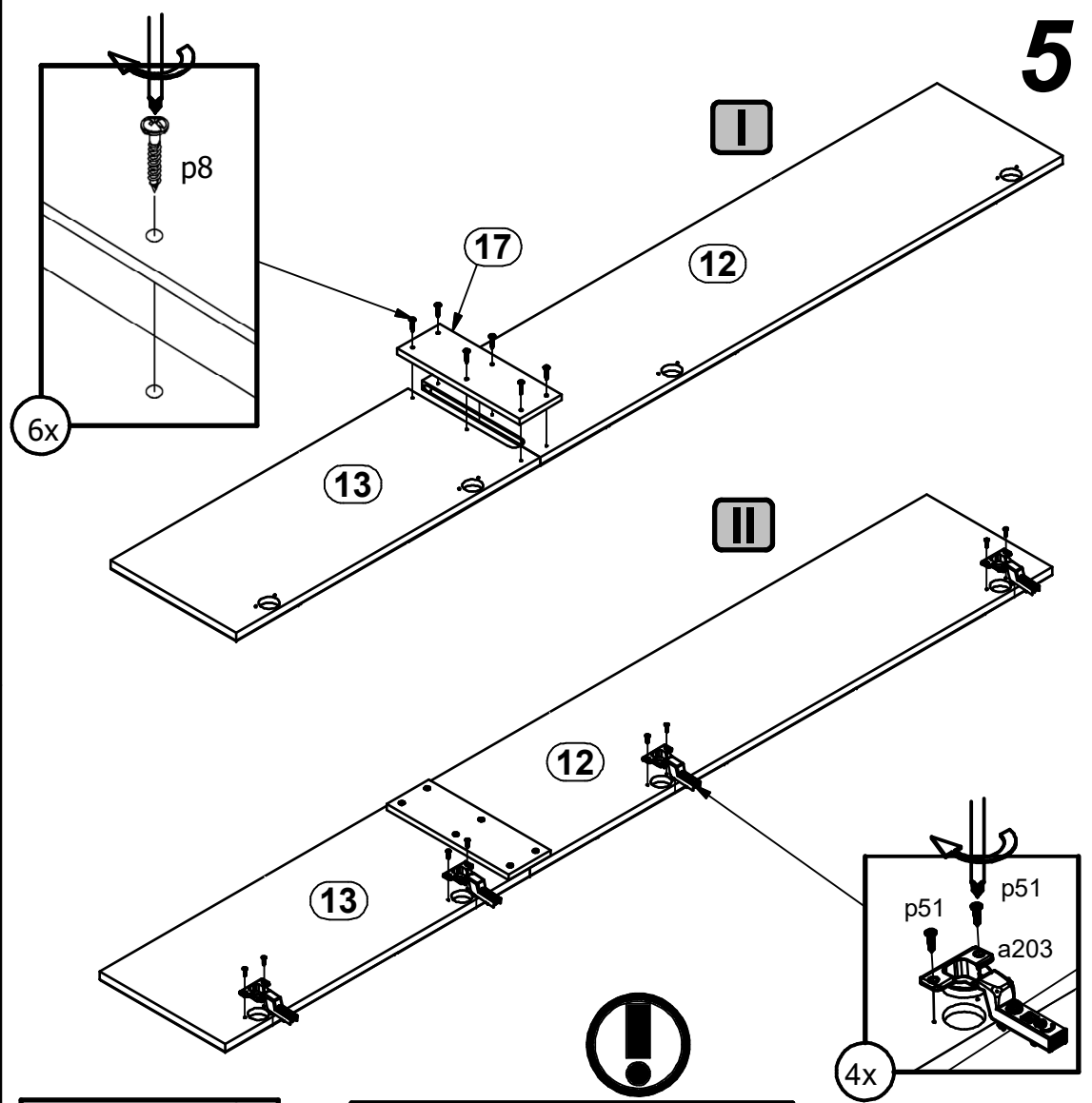
2



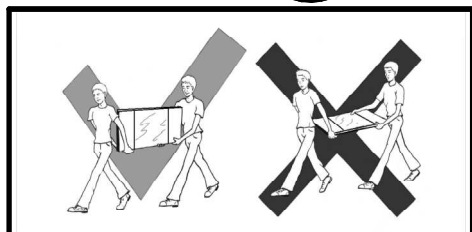
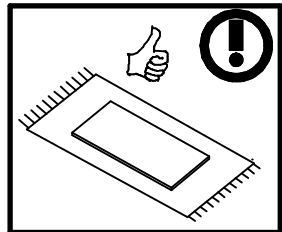
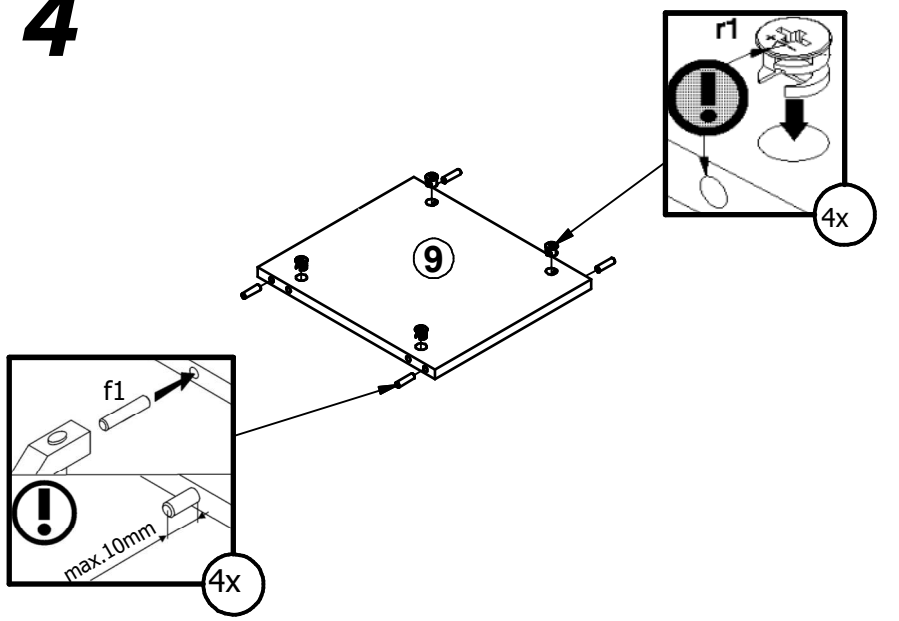
3



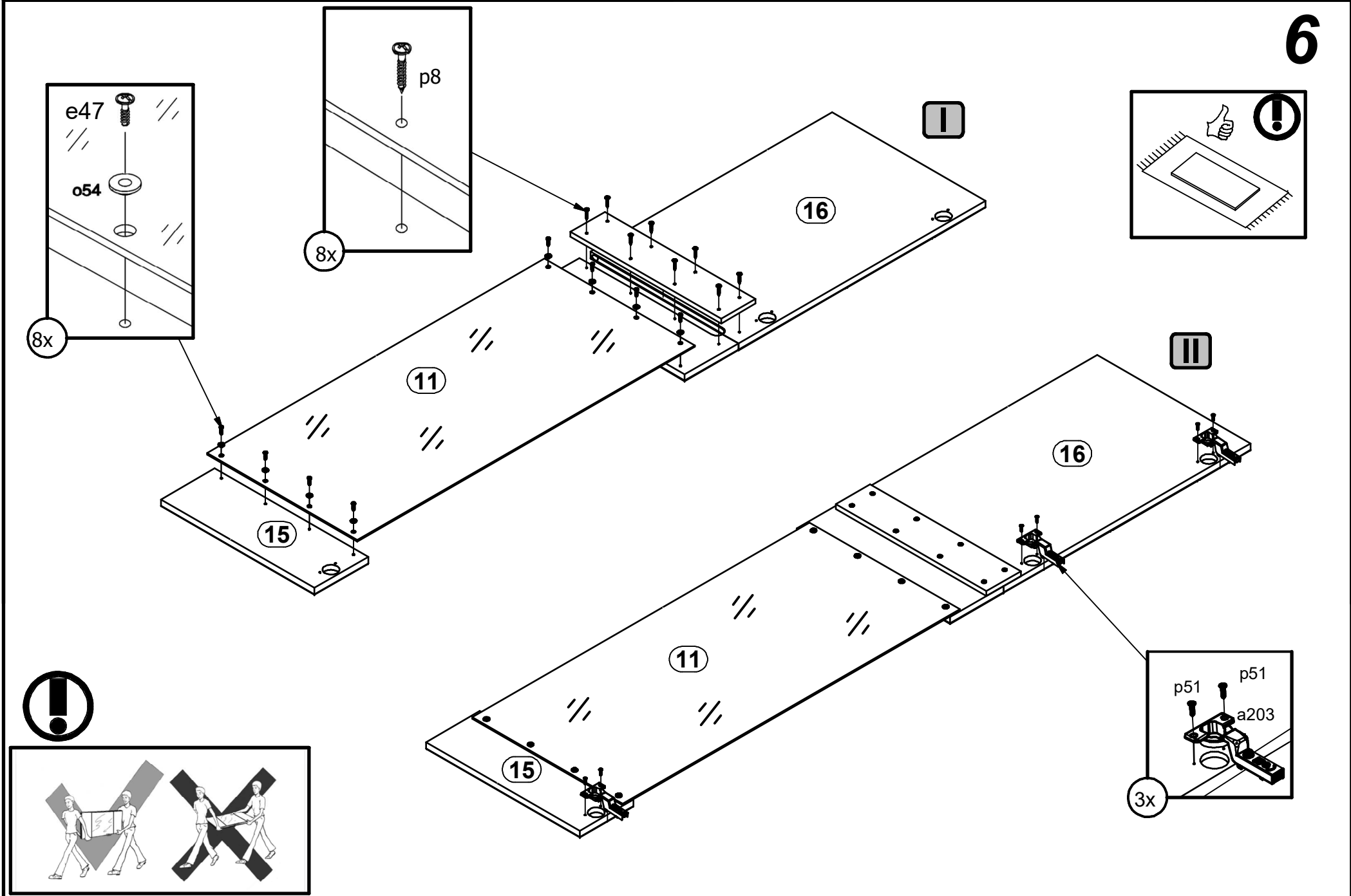
5



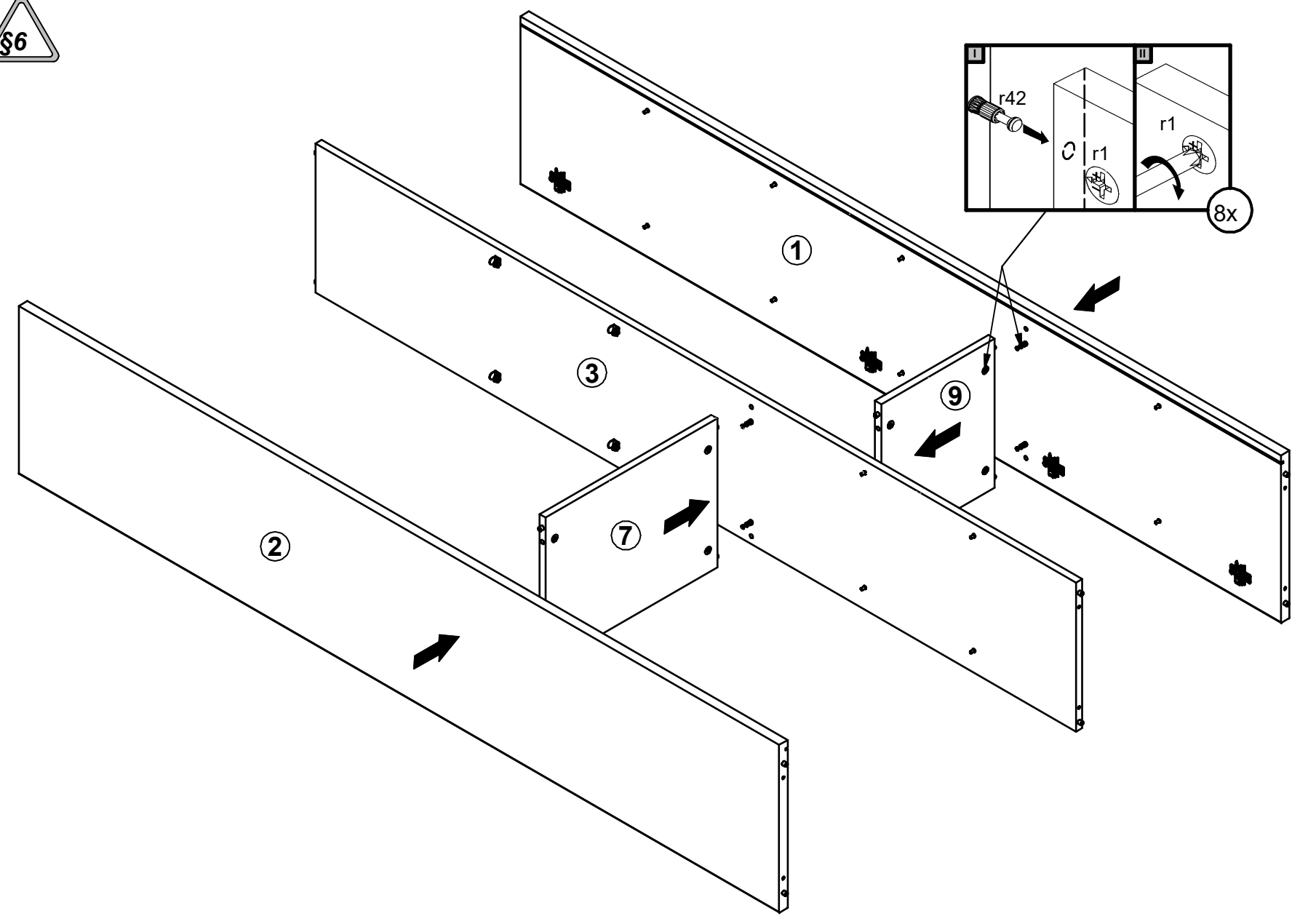
4

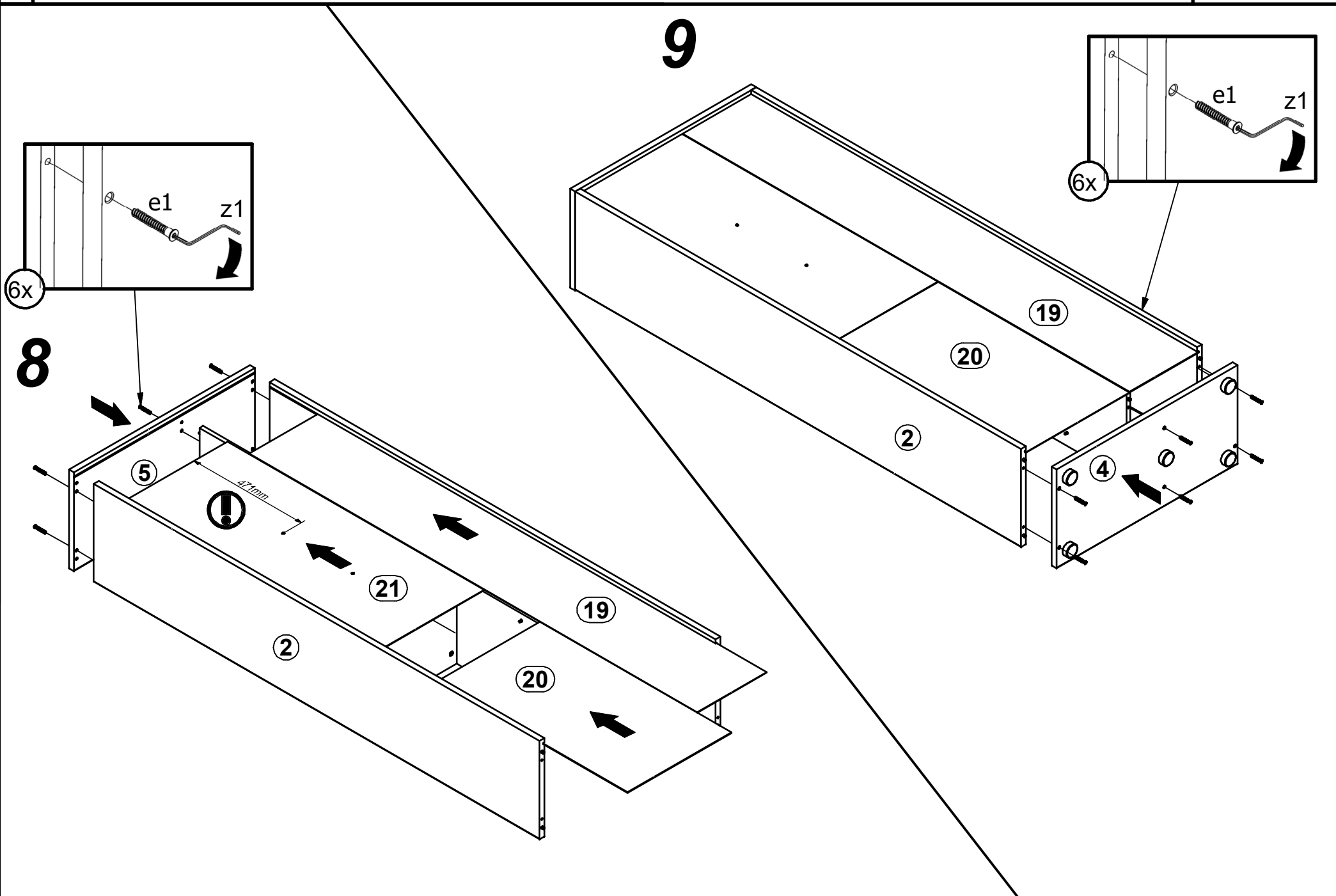


4x



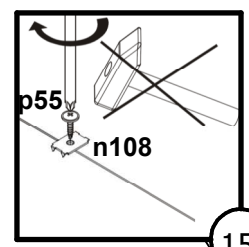
7 



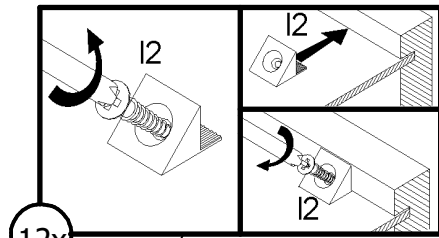




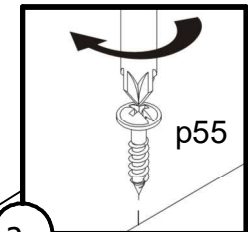
10



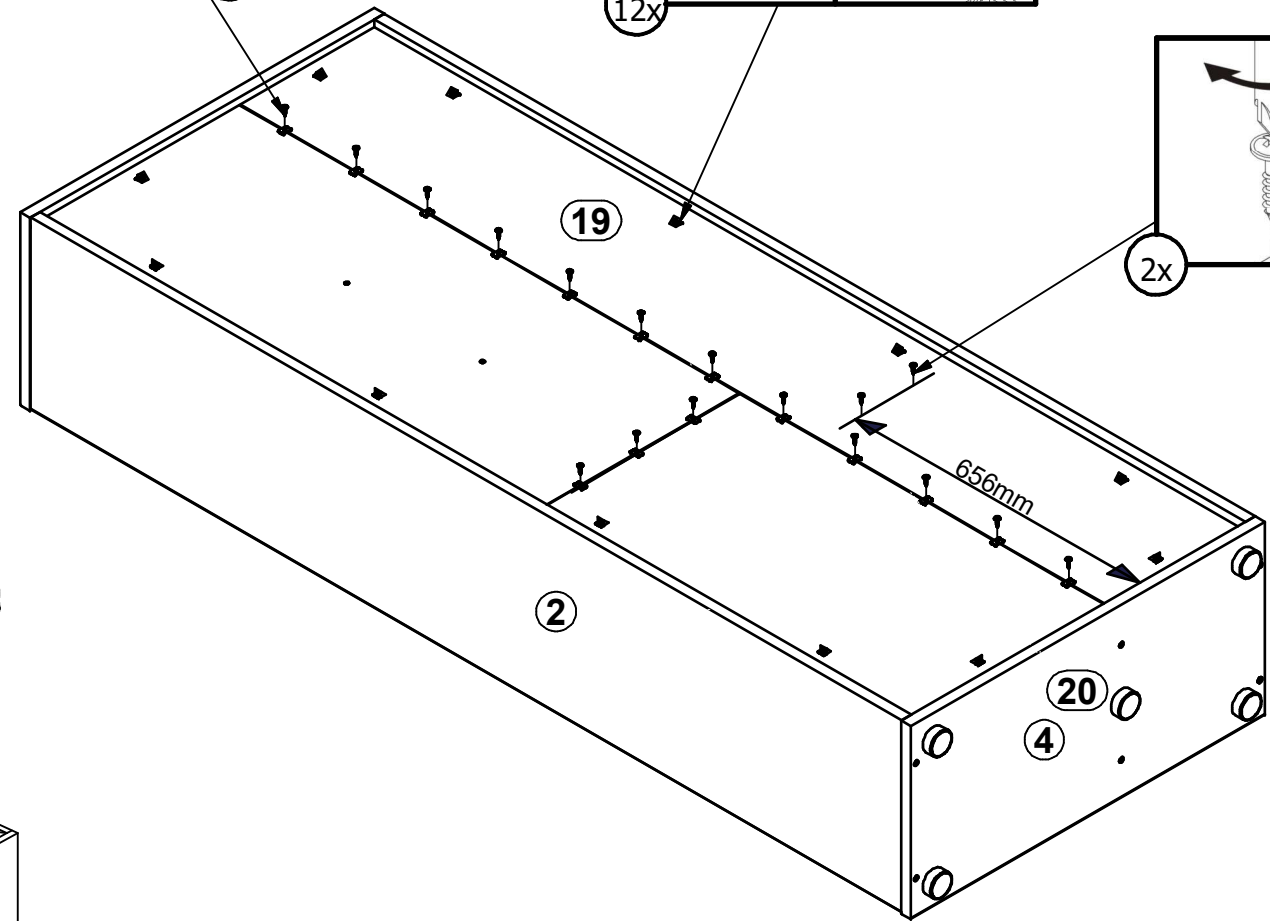
15x



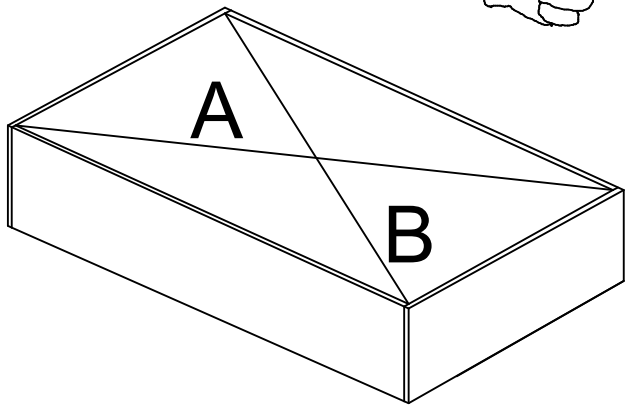
12x



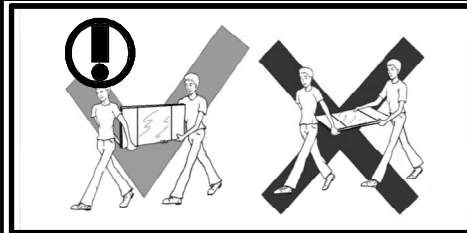
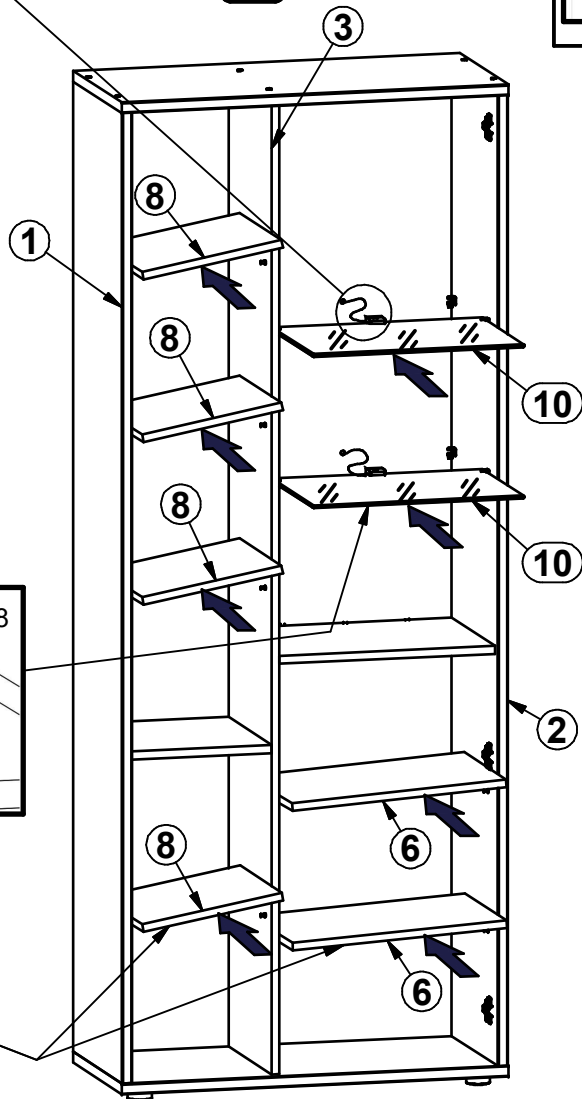
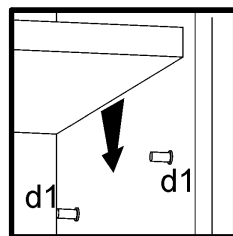
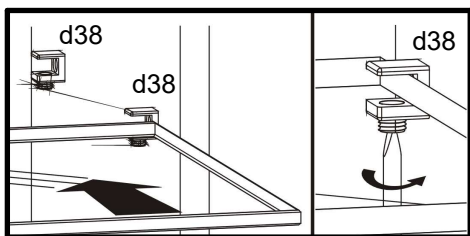
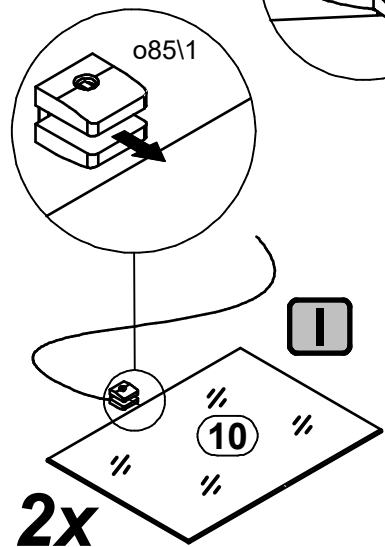
2x



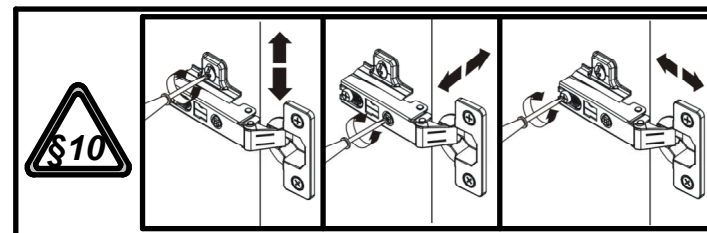
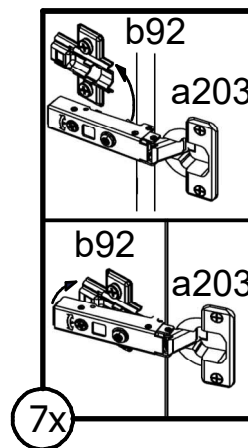
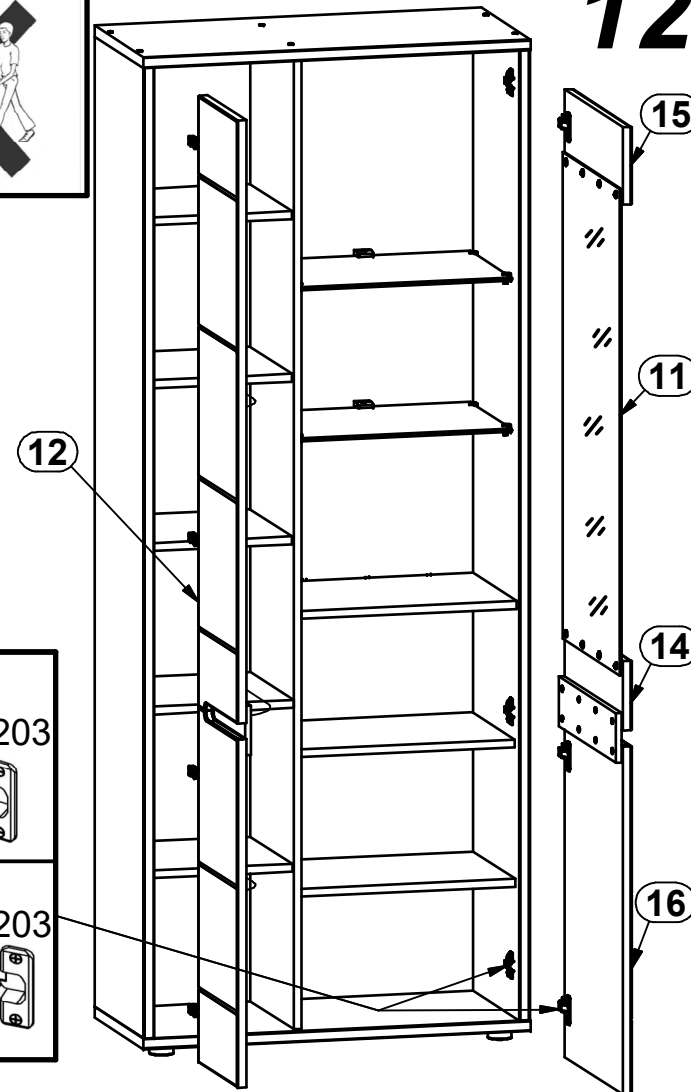
⚠ A=B



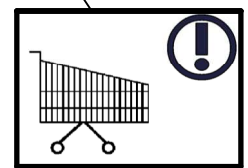
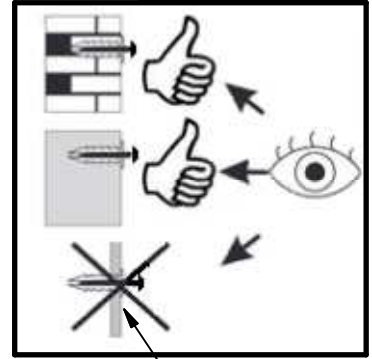
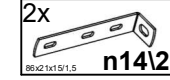
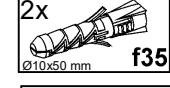
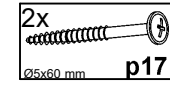
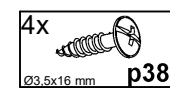
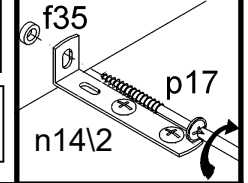
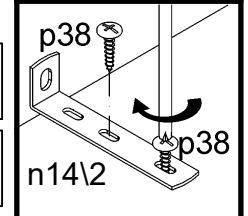
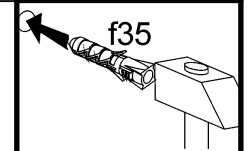
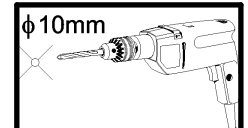
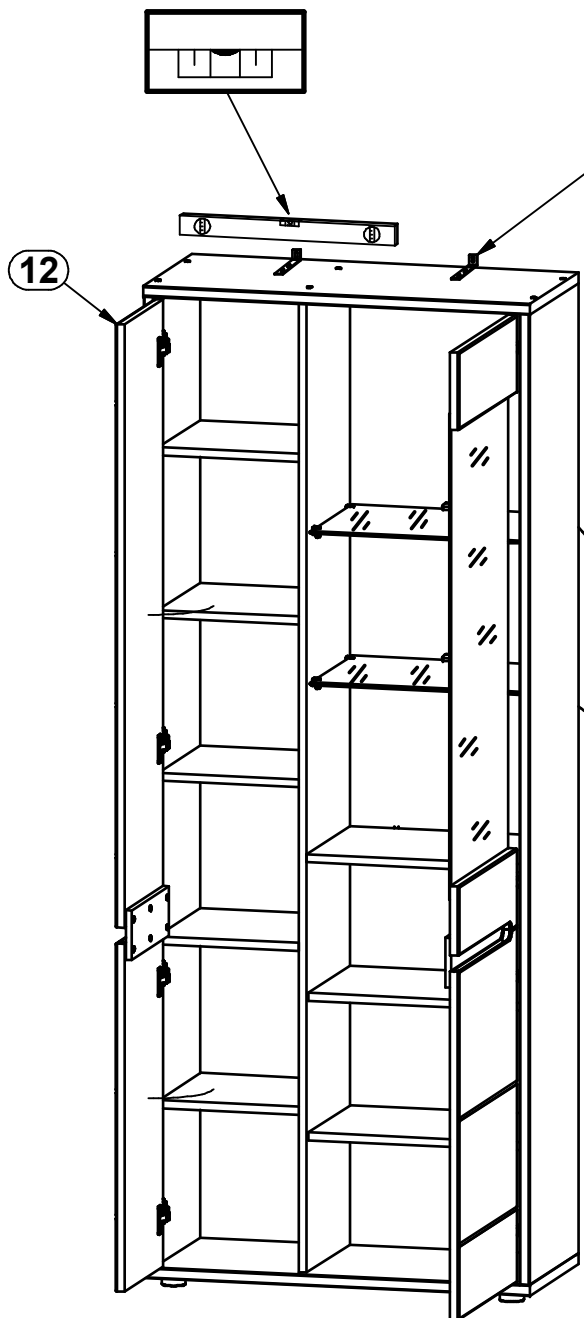
11

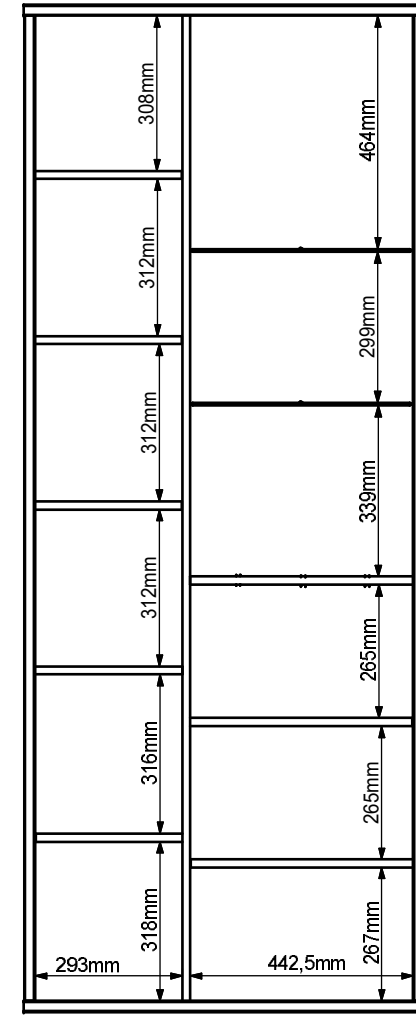
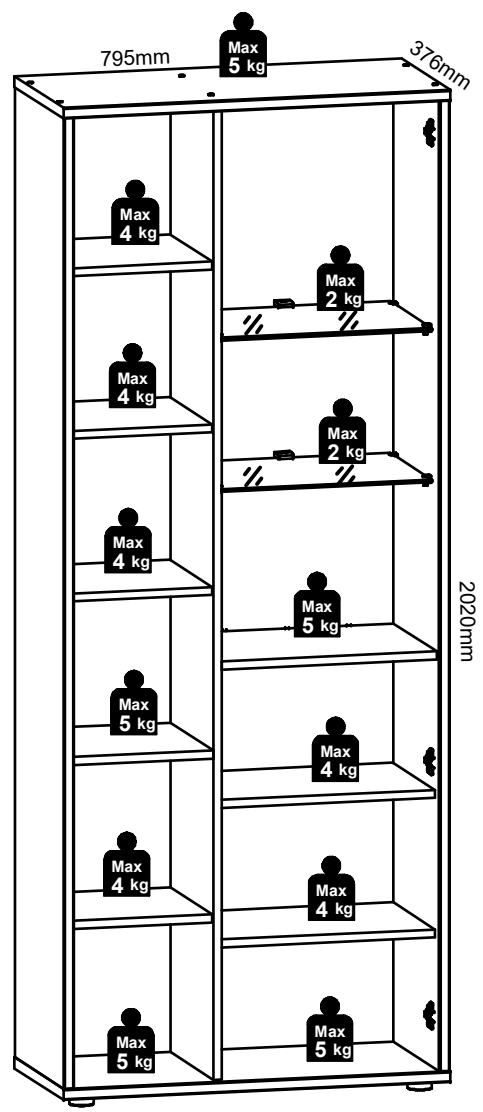


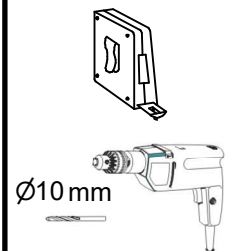
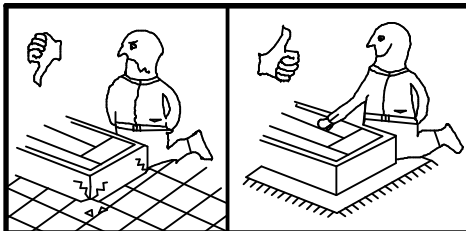
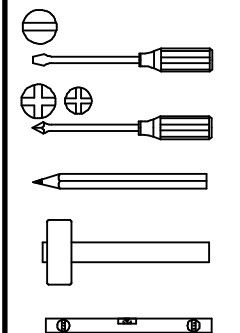
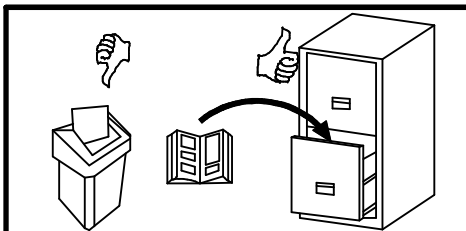
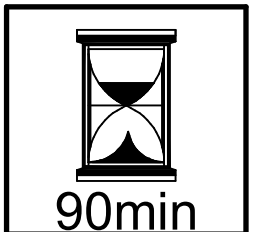
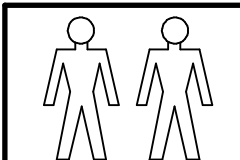
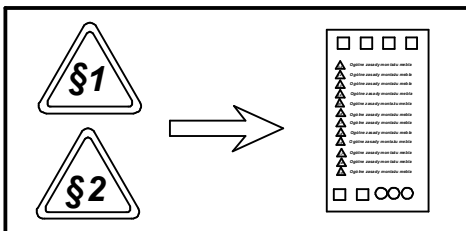
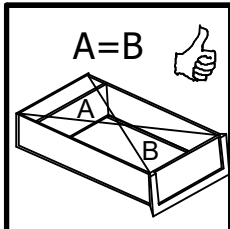
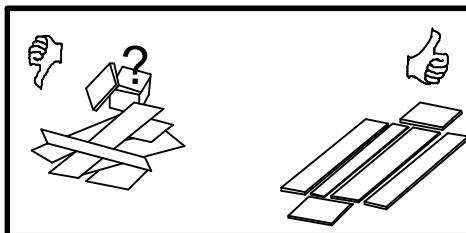
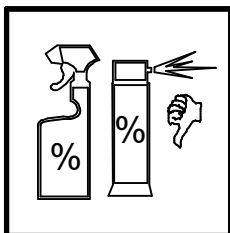
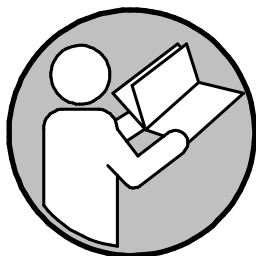
12



# 13





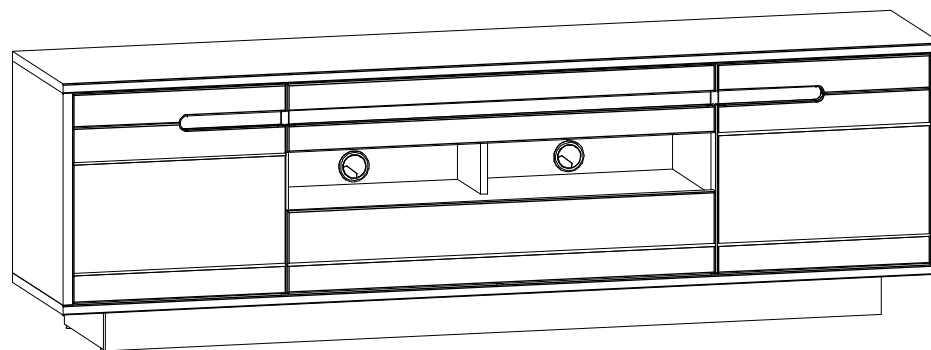
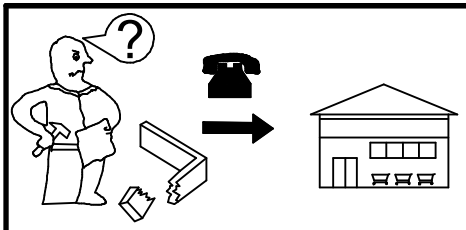


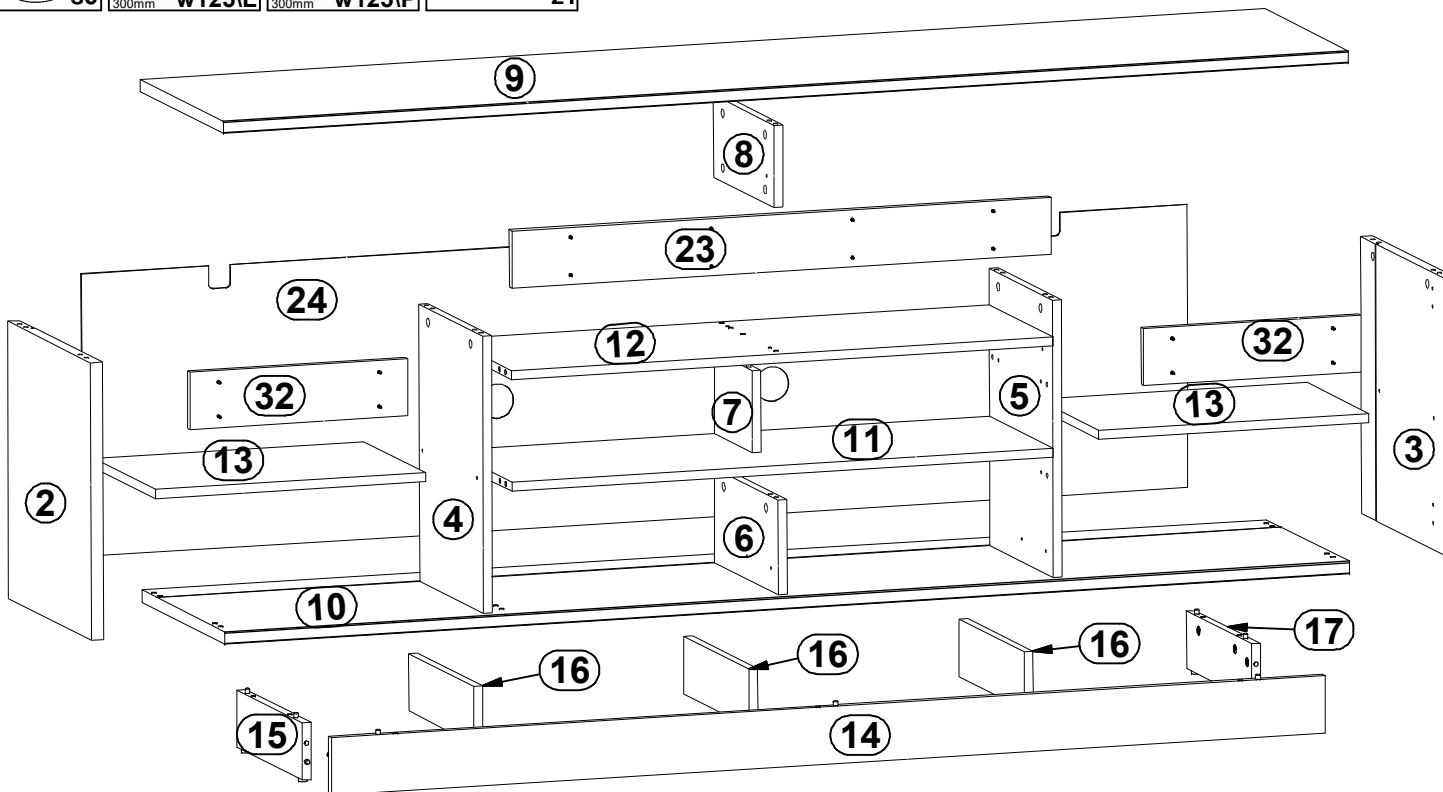
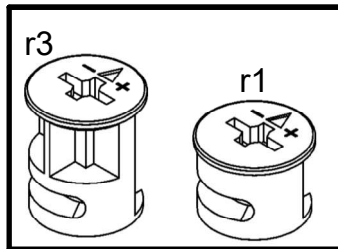
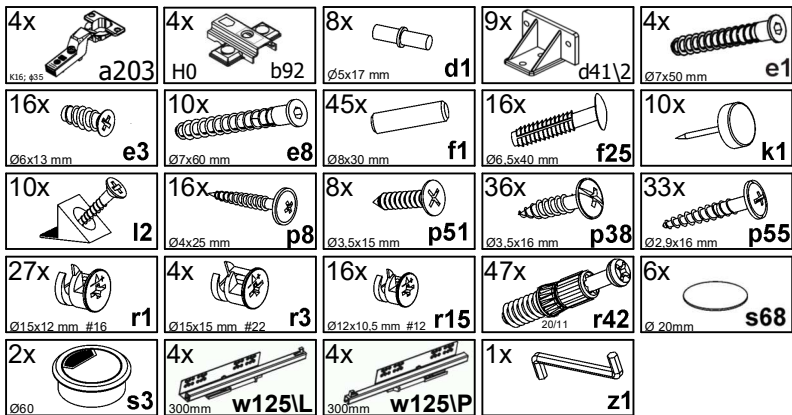
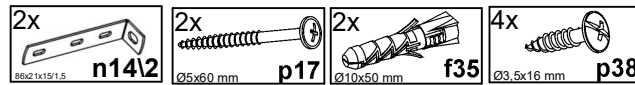
Ø3,5x16 mm p38

Ø5x60 mm p17

n142

Ø10x50 mm f35





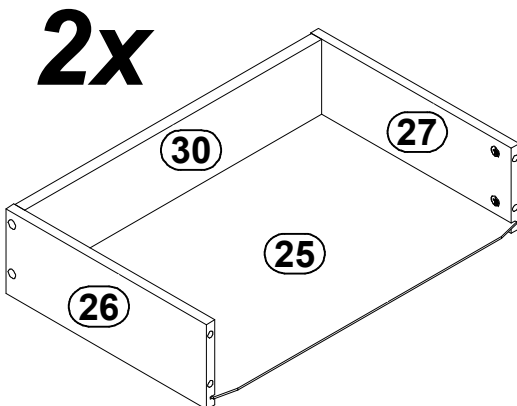
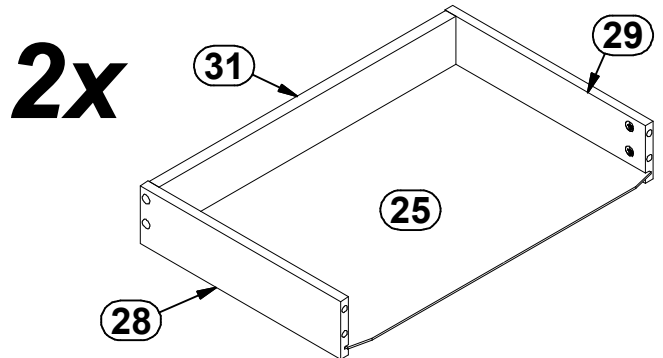
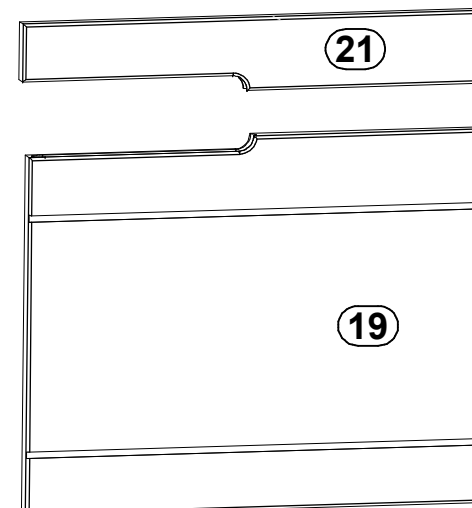
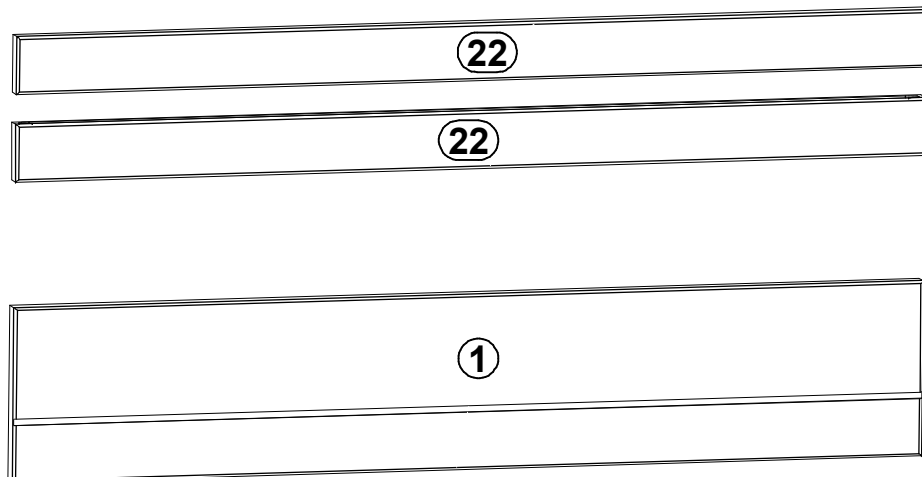
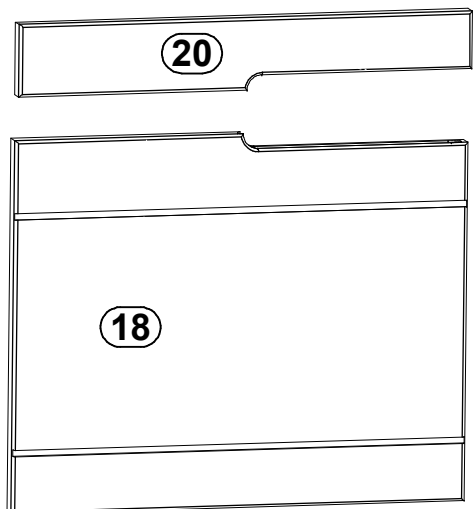
| A  | B         | C1   | C2  | C3  | D   |
|----|-----------|------|-----|-----|-----|
| 1  | S551-0010 | 996  | 188 | 19  | 3/4 |
| 2  | S551-1017 | 484  | 438 | 22  | 1/4 |
| 3  | S551-1018 | 484  | 438 | 22  | 1/4 |
| 4  | S551-1019 | 484  | 336 | 16  | 3/4 |
| 5  | S551-1020 | 484  | 336 | 16  | 3/4 |
| 6  | S551-1021 | 165  | 336 | 16  | 3/4 |
| 7  | S551-1022 | 143  | 200 | 16  | 1/4 |
| 8  | S551-1023 | 144  | 320 | 16  | 3/4 |
| 9  | S551-2011 | 2045 | 440 | 22  | 2/4 |
| 10 | S551-2012 | 2045 | 440 | 22  | 4/4 |
| 11 | S551-3016 | 984  | 336 | 16  | 3/4 |
| 12 | S551-3017 | 984  | 336 | 16  | 3/4 |
| 13 | S551-3018 | 491  | 326 | 16  | 3/4 |
| 14 | S551-4005 | 1806 | 100 | 16  | 2/4 |
| 15 | S551-4006 | 344  | 100 | 16  | 3/4 |
| 16 | S551-4007 | 344  | 100 | 16  | 3/4 |
| 17 | S551-4009 | 344  | 100 | 16  | 3/4 |
| 18 | S551-7016 | 496  | 400 | 19  | 1/4 |
| 19 | S551-7017 | 496  | 400 | 19  | 1/4 |
| 20 | S551-7018 | 496  | 78  | 19  | 3/4 |
| 21 | S551-7019 | 496  | 78  | 19  | 3/4 |
| 22 | S551-7020 | 996  | 62  | 19  | 3/4 |
| 23 | S551-7308 | 980  | 100 | 16  | 3/4 |
| 24 | S551-9011 | 2010 | 494 | 2,5 | 2/4 |
| 25 | WSP-9438  | 454  | 308 | 2,5 | 3/4 |
| 26 | ZQ6-517   | 300  | 110 | 12  | 1/4 |
| 27 | ZQ6-518   | 300  | 110 | 12  | 1/4 |
| 28 | ZQ6-525   | 300  | 75  | 12  | 1/4 |
| 29 | ZQ6-526   | 300  | 75  | 12  | 1/4 |
| 30 | ZQ6-5288  | 444  | 97  | 15  | 1/4 |
| 31 | ZQ6-5289  | 444  | 62  | 15  | 1/4 |
| 32 | S551-7309 | 396  | 100 | 12  | 3/4 |

A

S551-RTV2D2S

10M6--31

3 /21



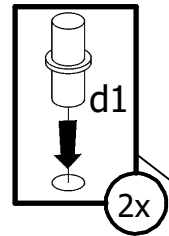
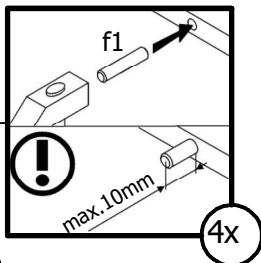
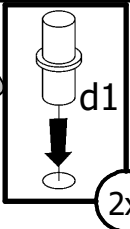
A

S551-RTV2D2S

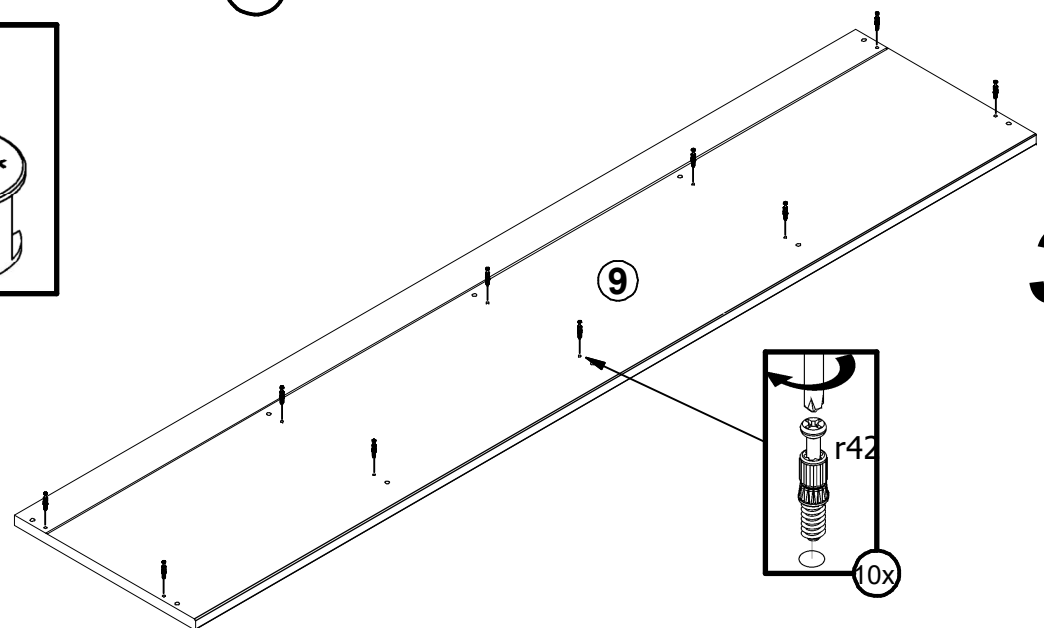
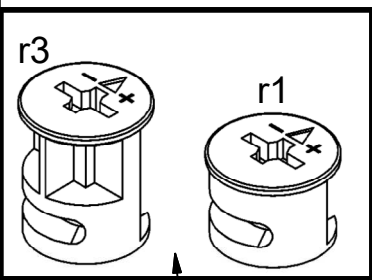
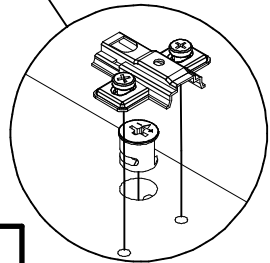
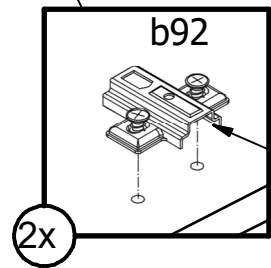
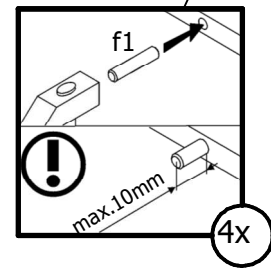
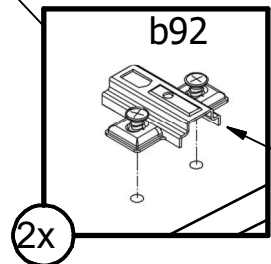
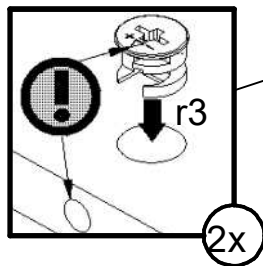
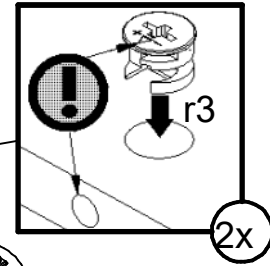
10M6--31

4 / 21

1



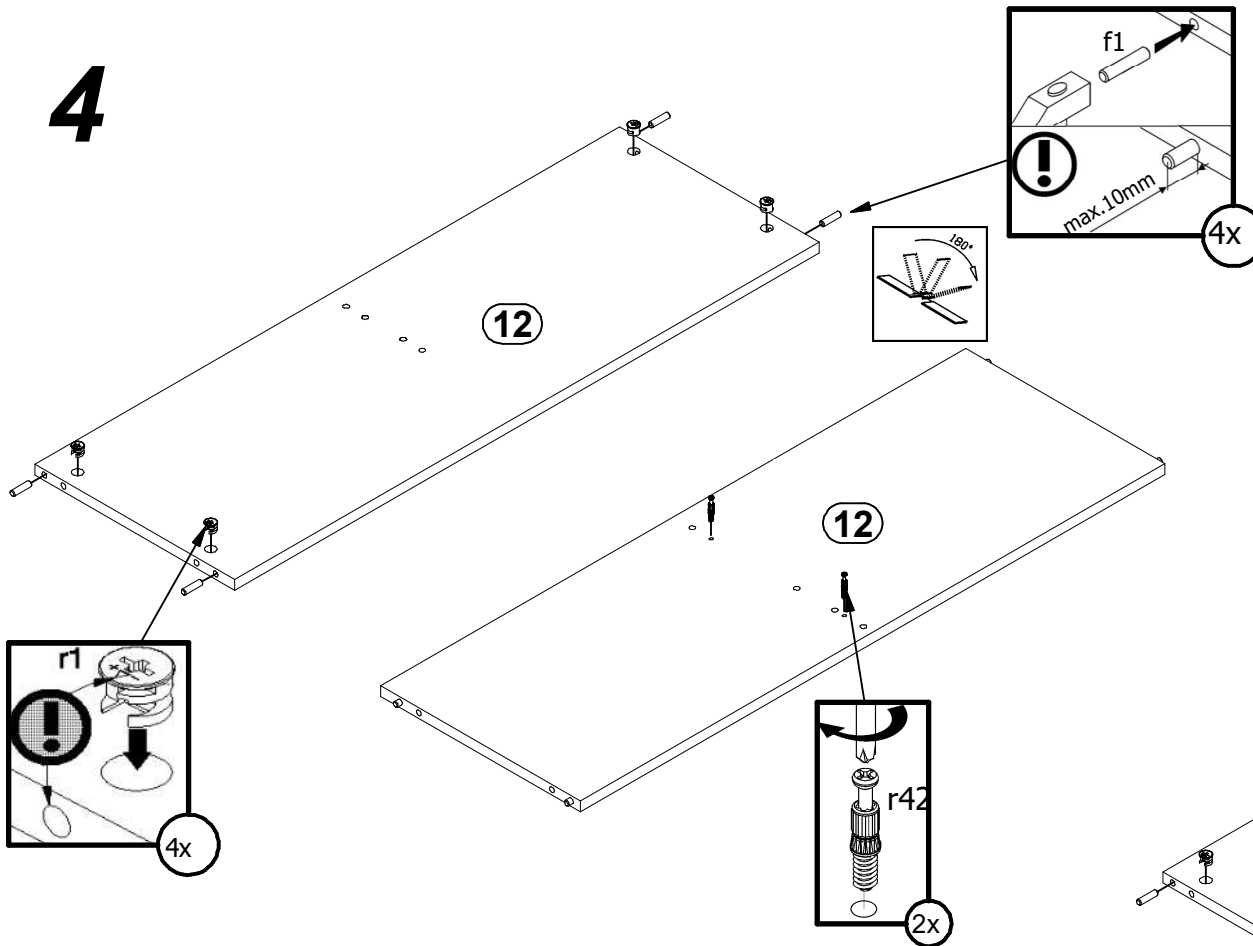
2



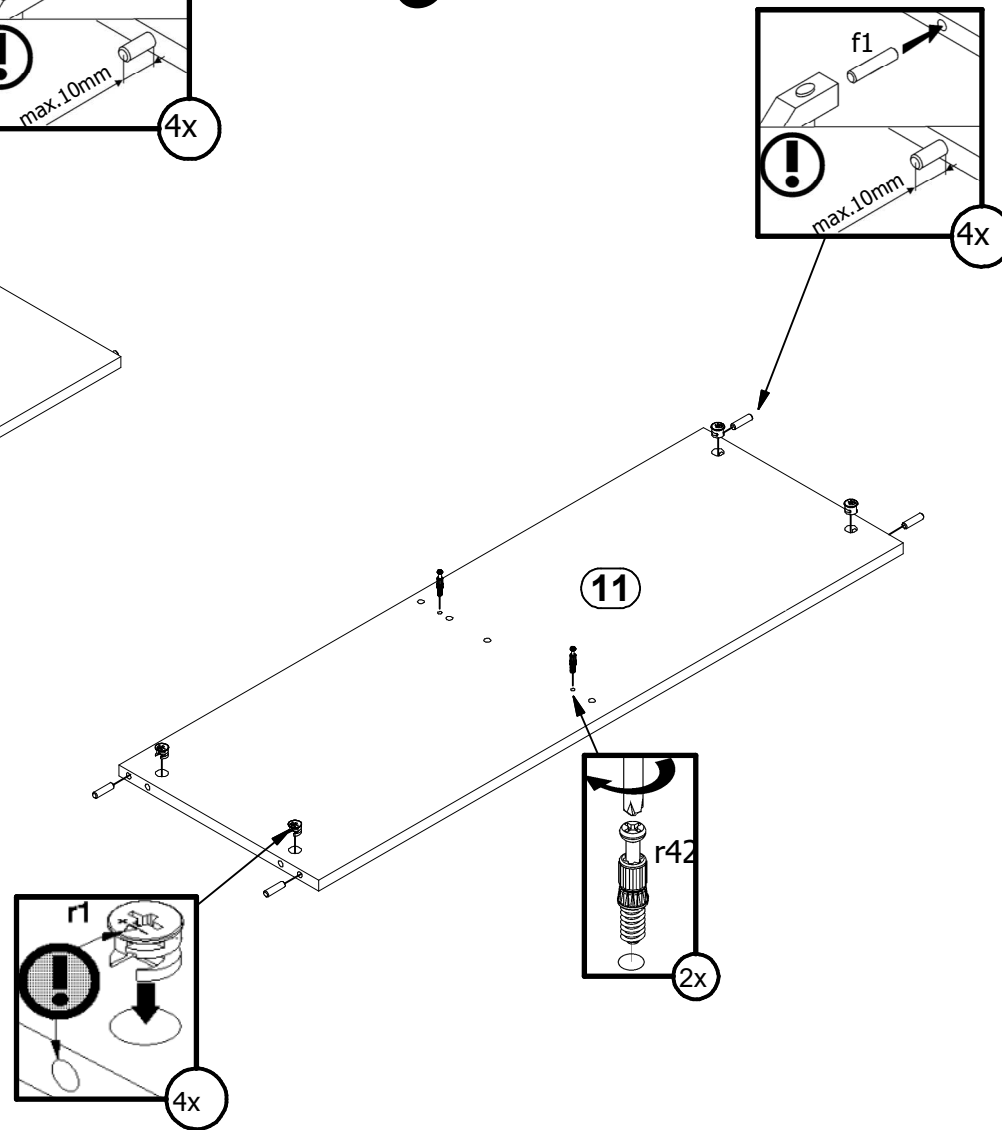
3



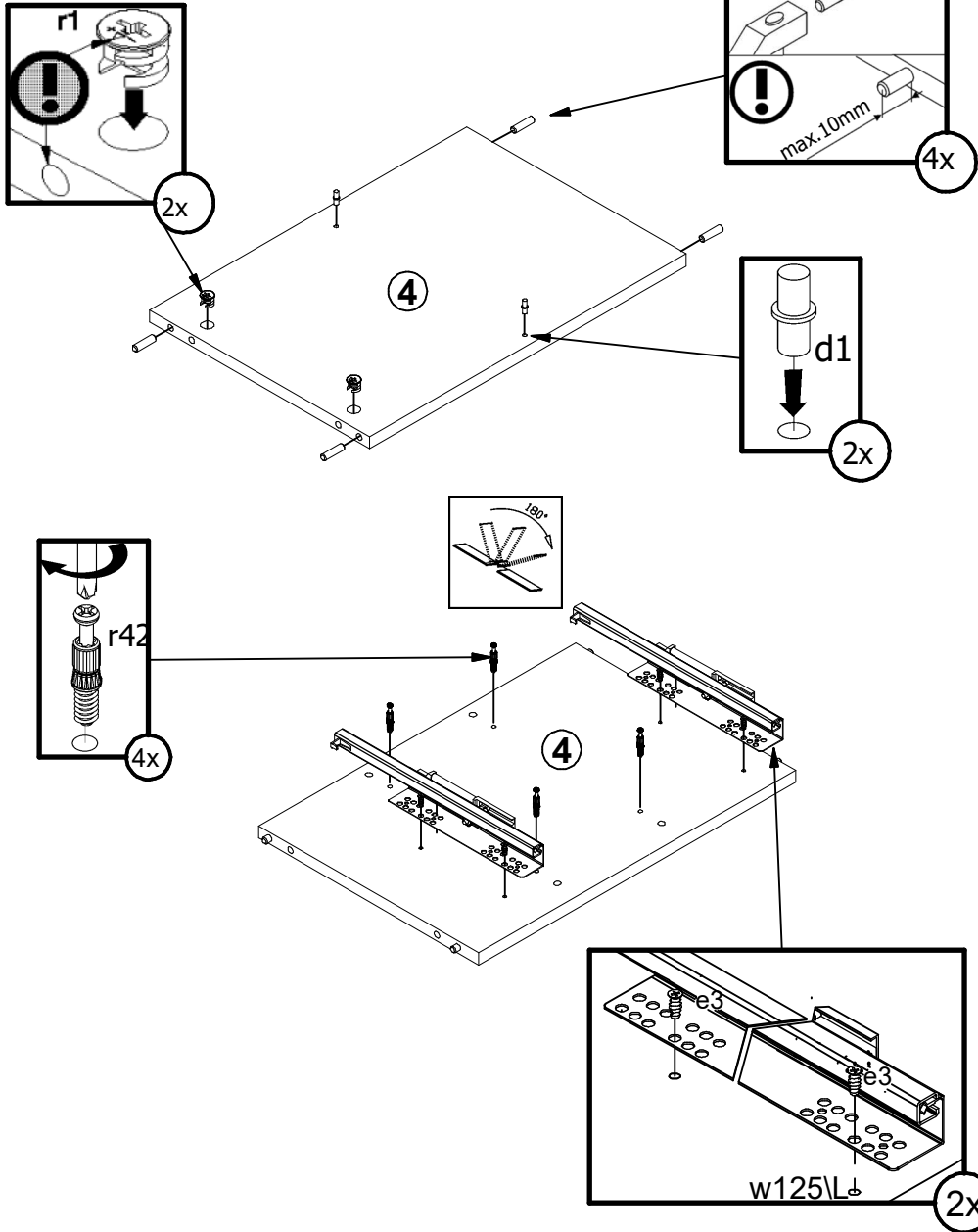
4



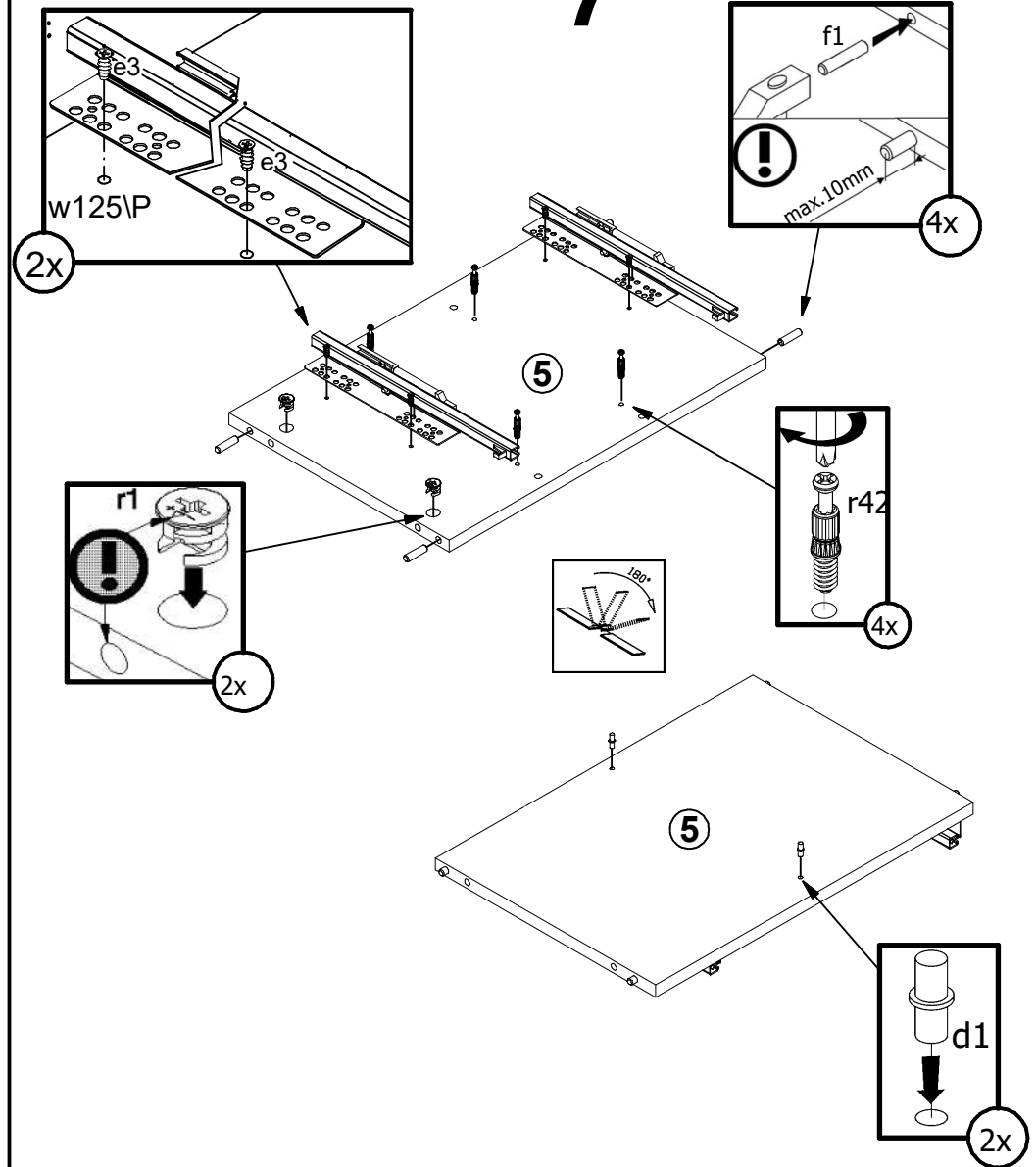
5



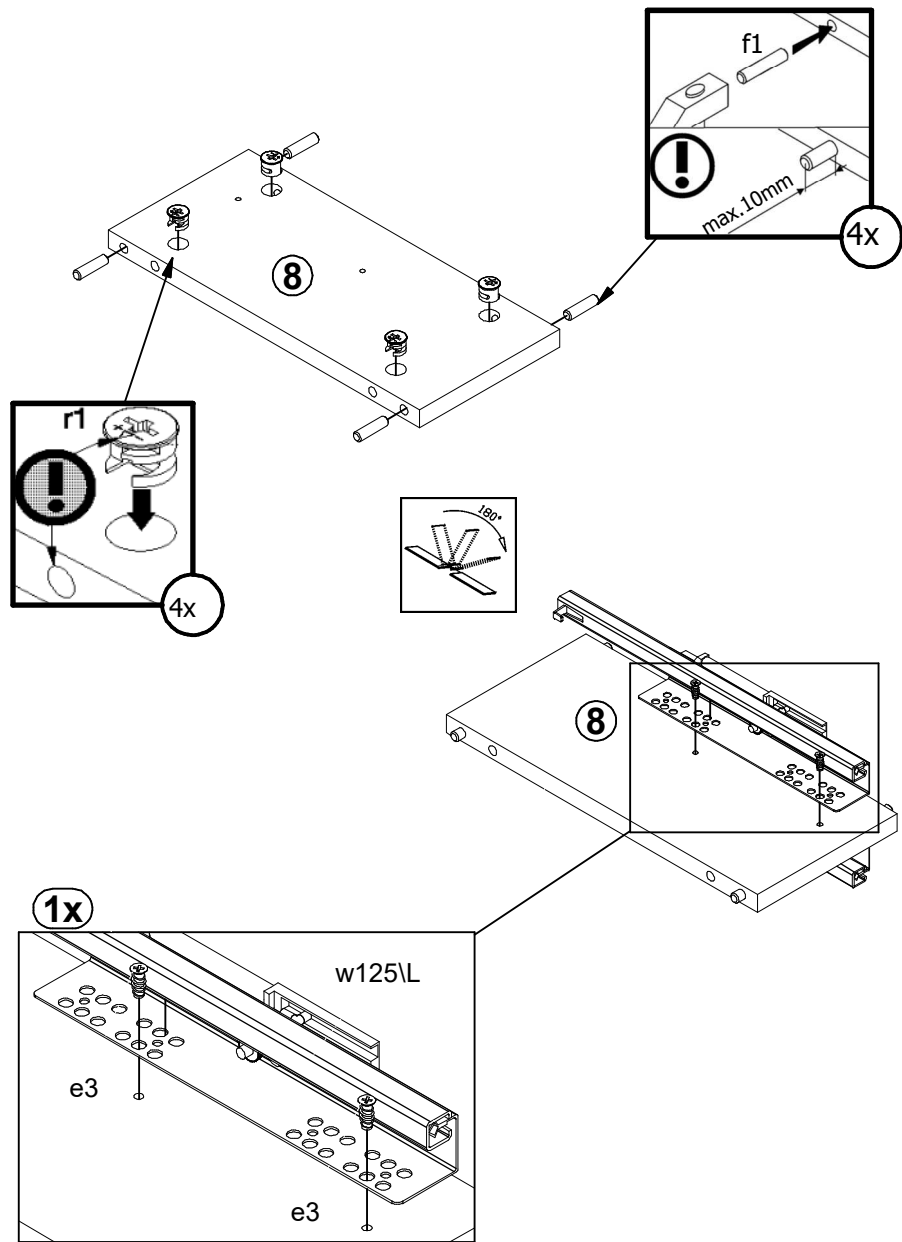
6



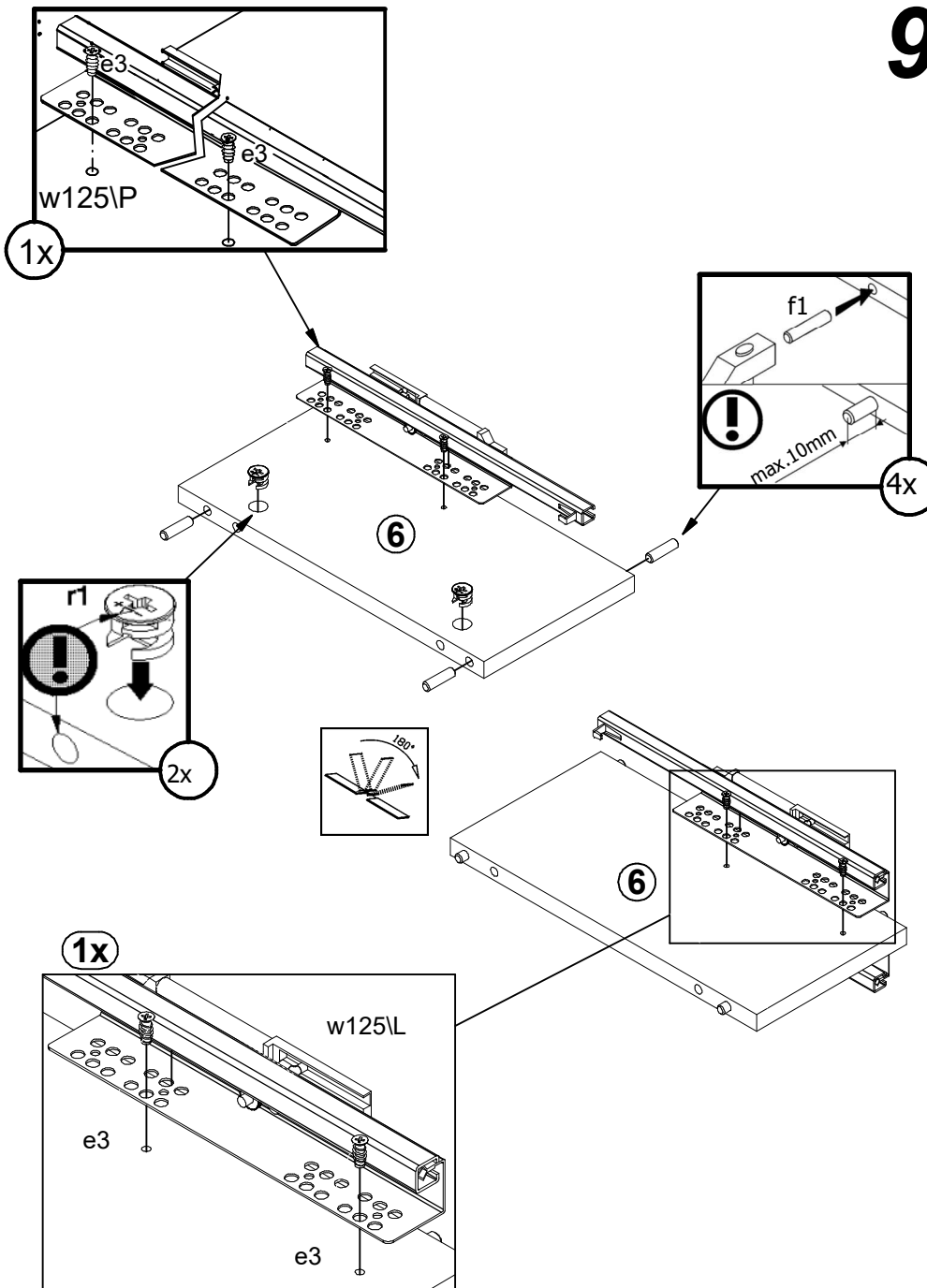
7



8

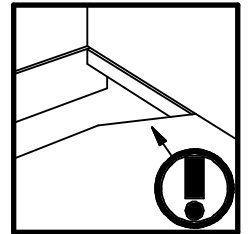
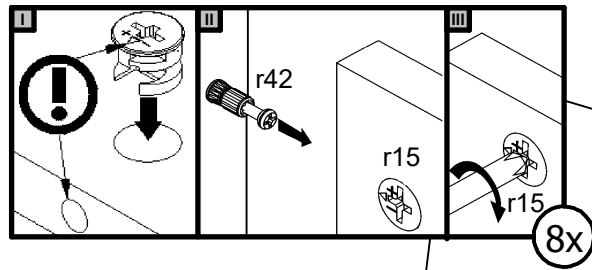
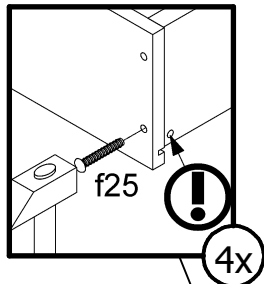
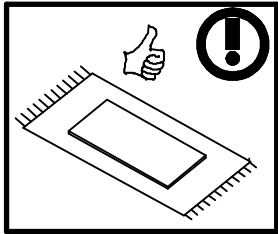
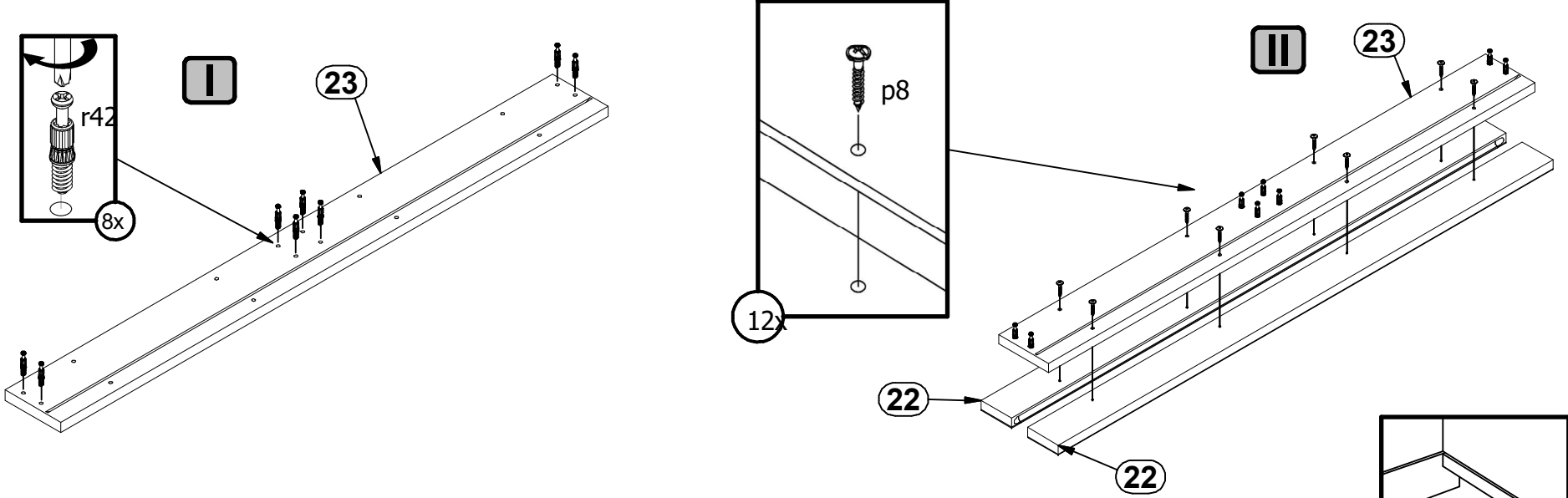


9



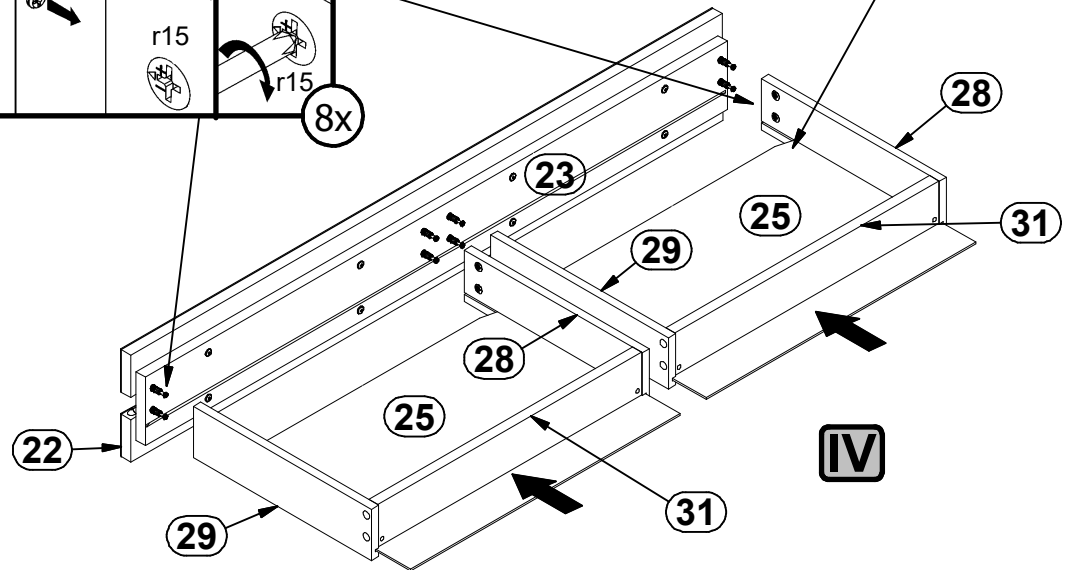
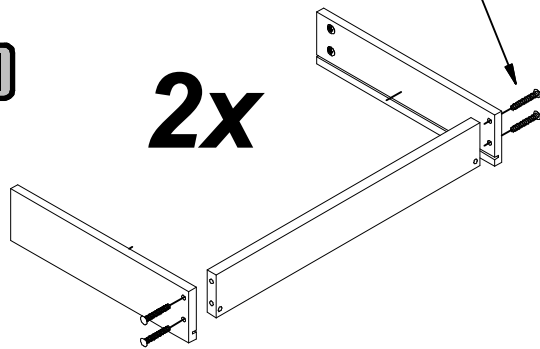


14



III

2x

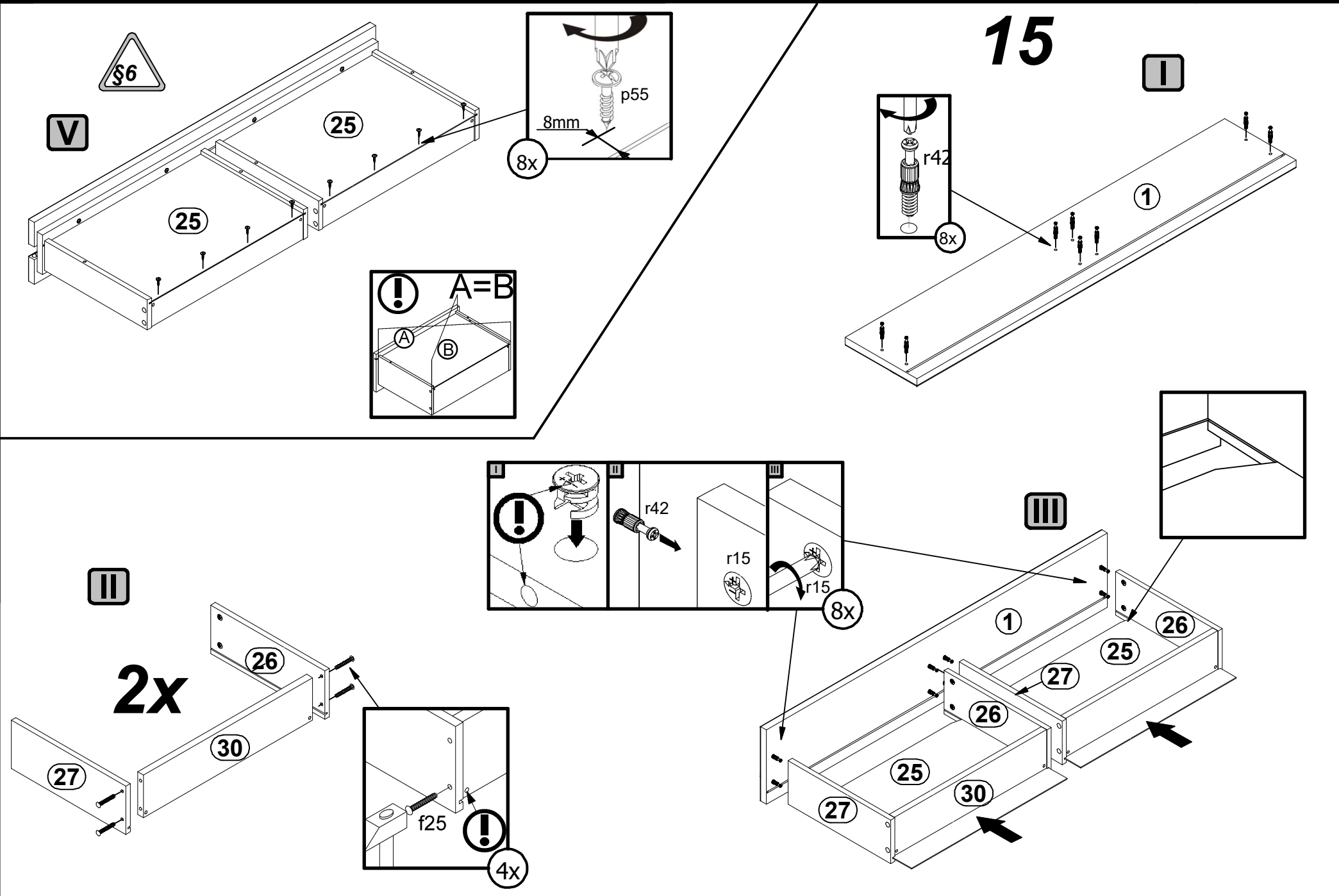


IV

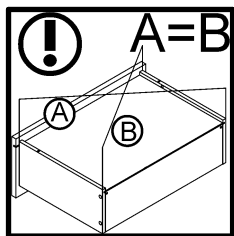
A

S551-RTV2D2S

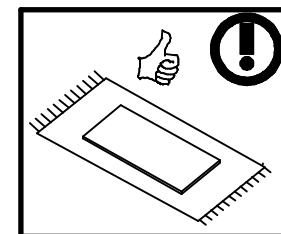
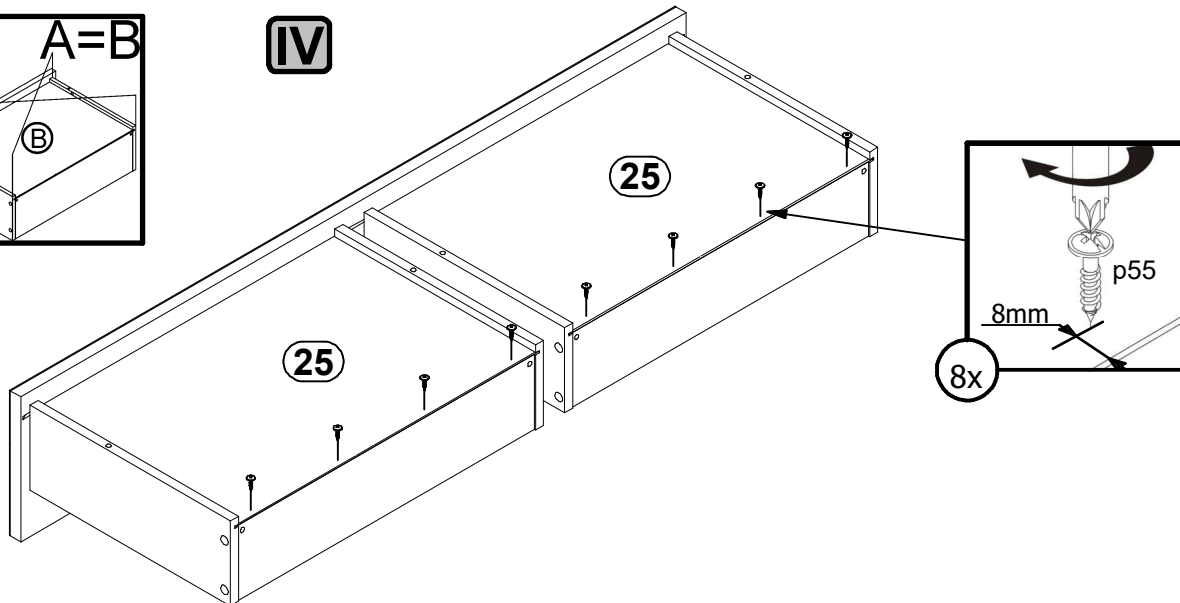
10M6--31



# 16

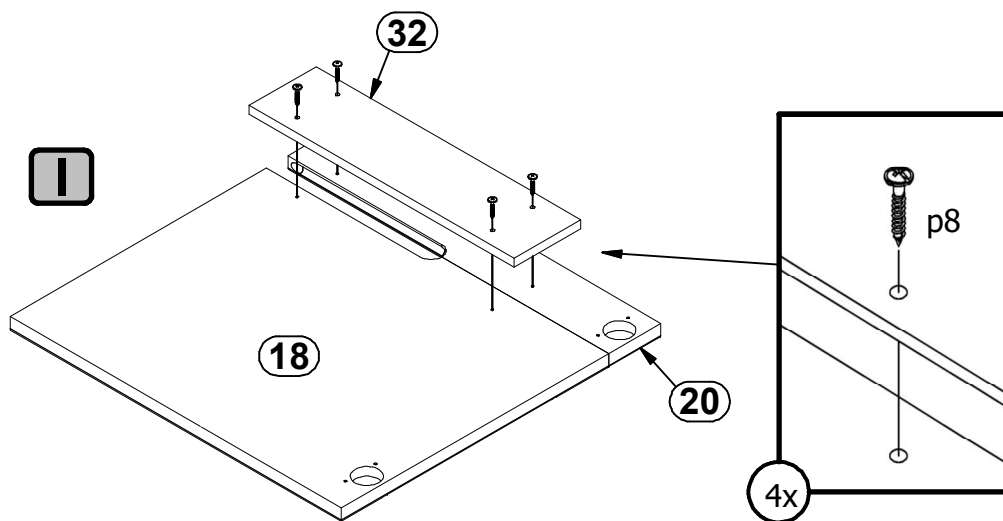


IV

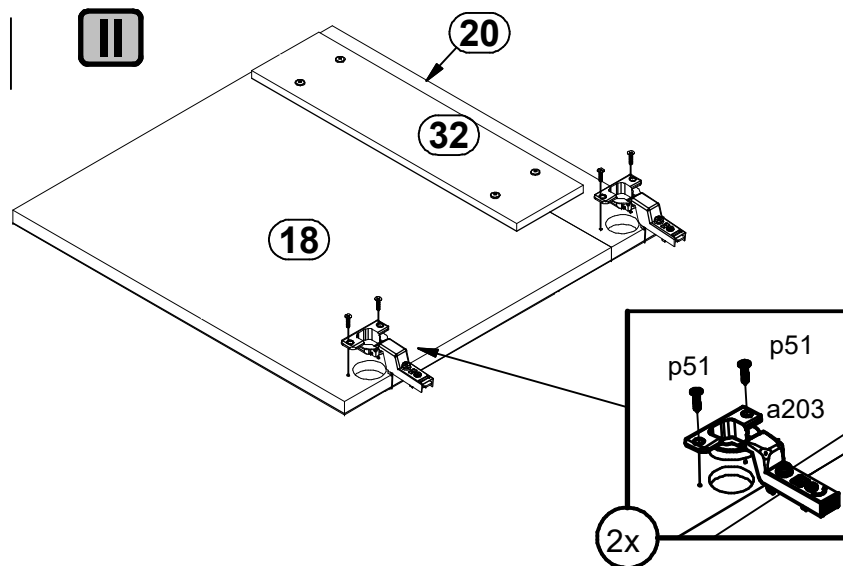


# 17

I

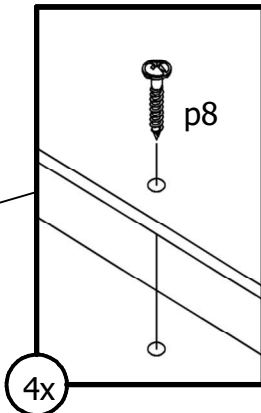
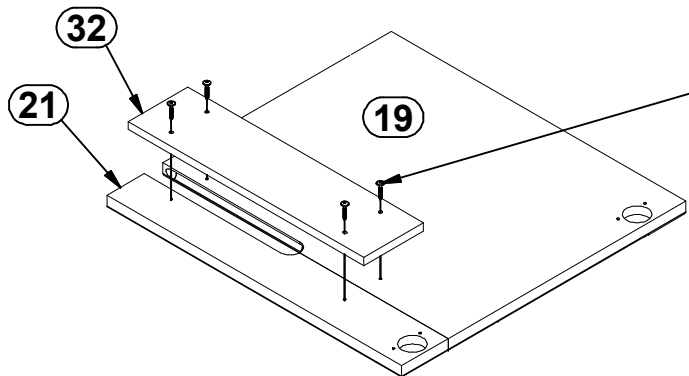


II

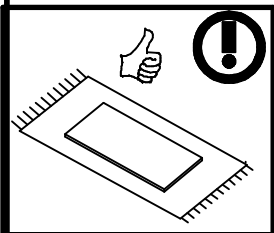
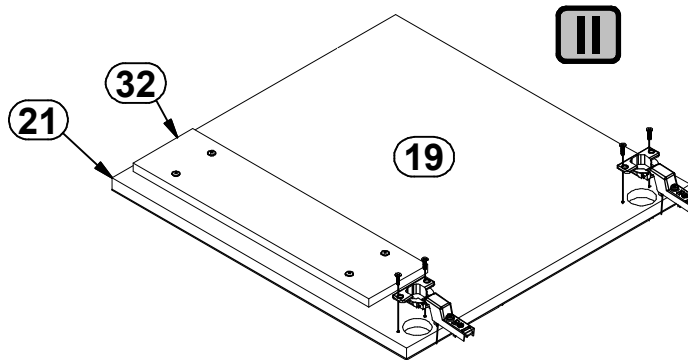


18

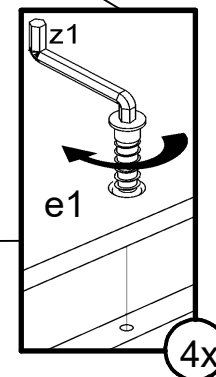
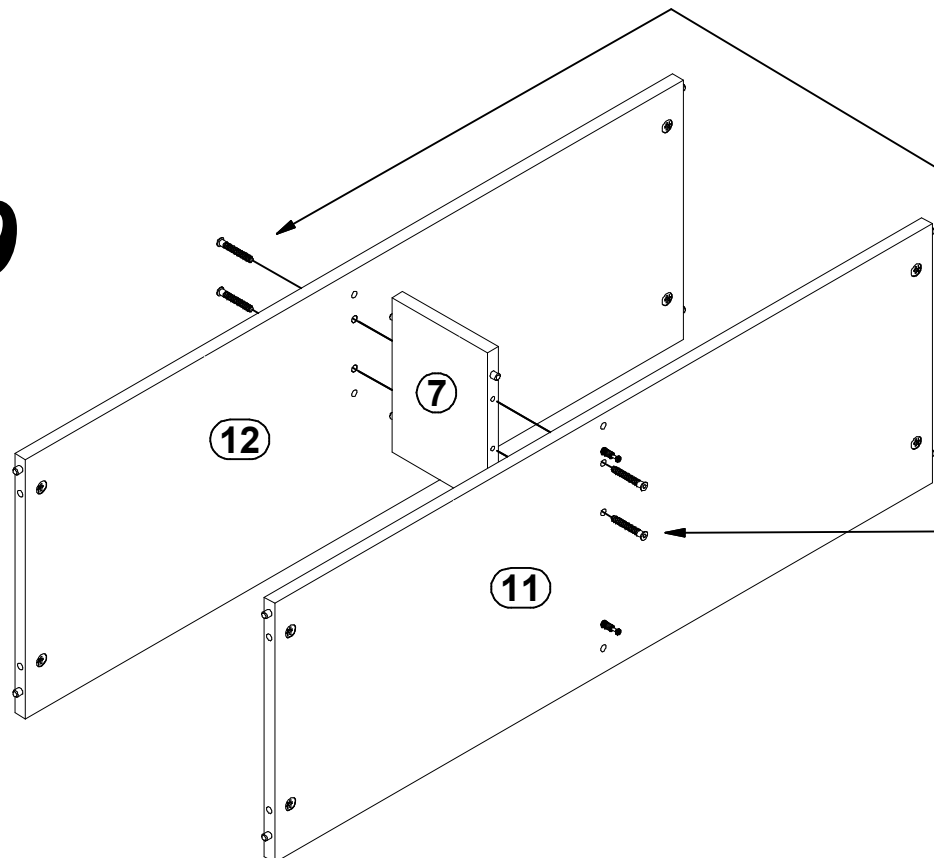
I



II

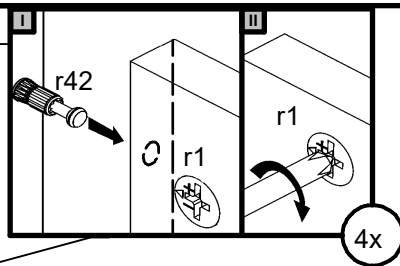
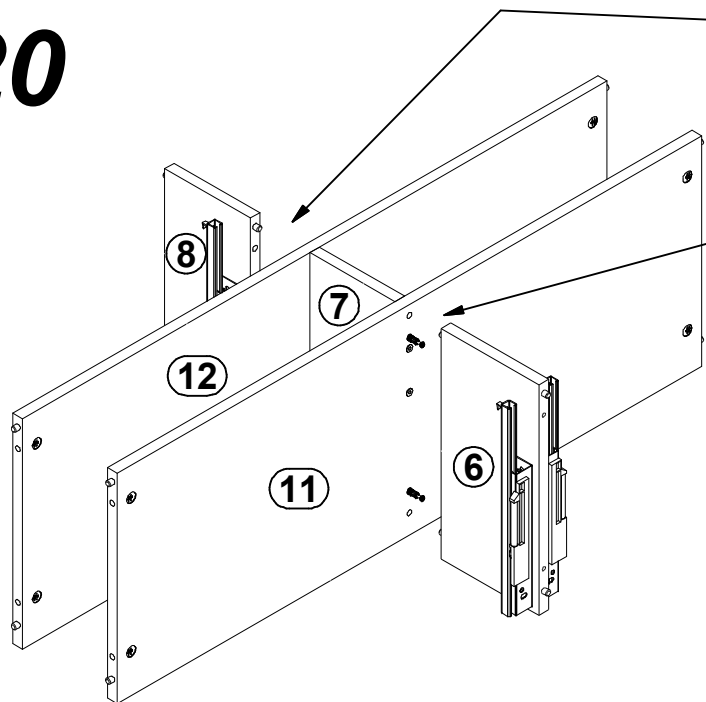


19

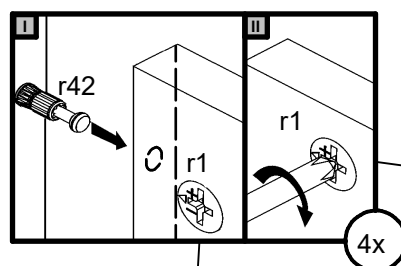
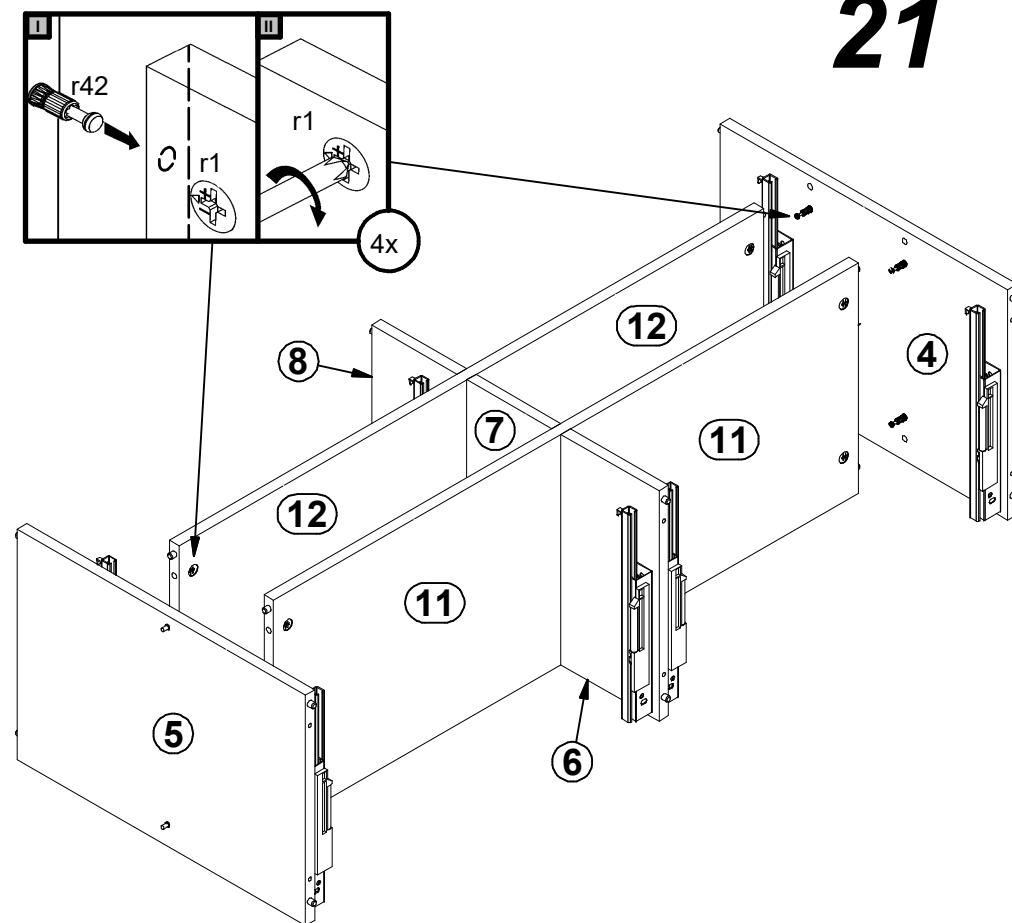




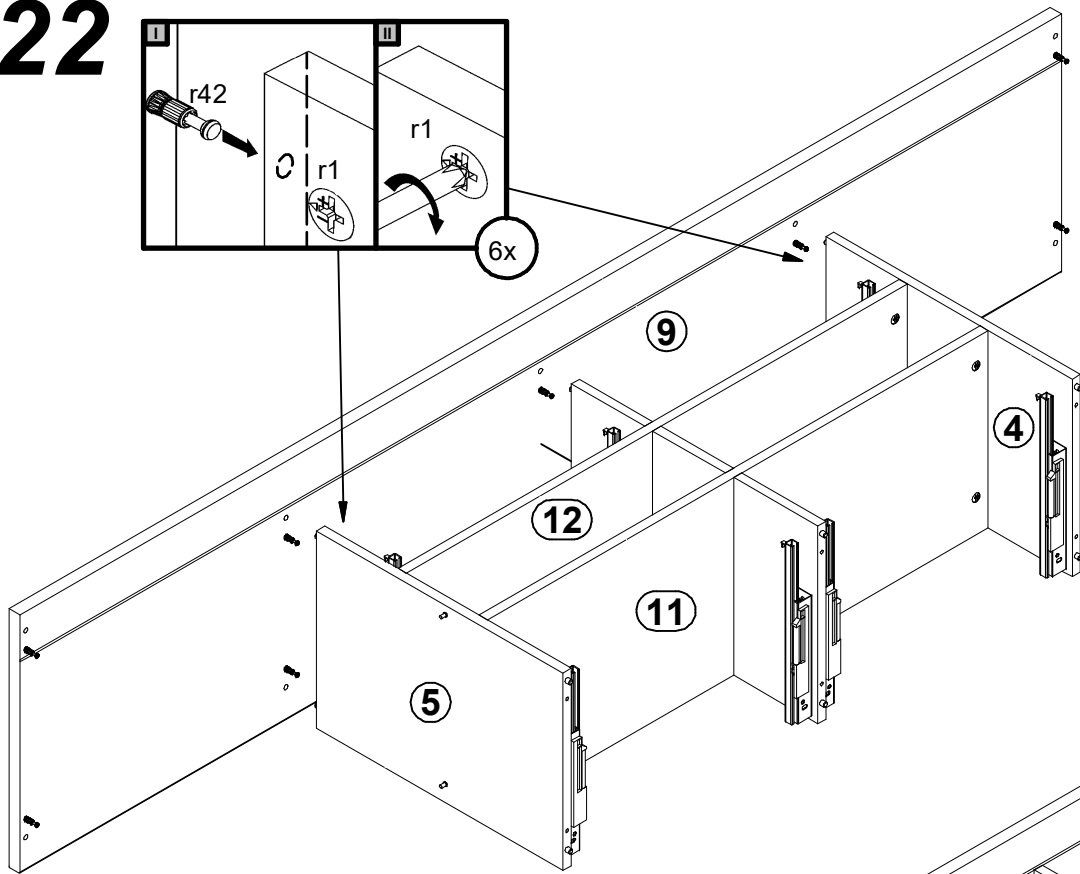
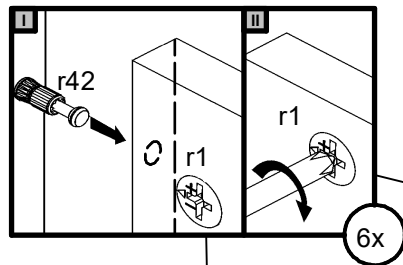
20



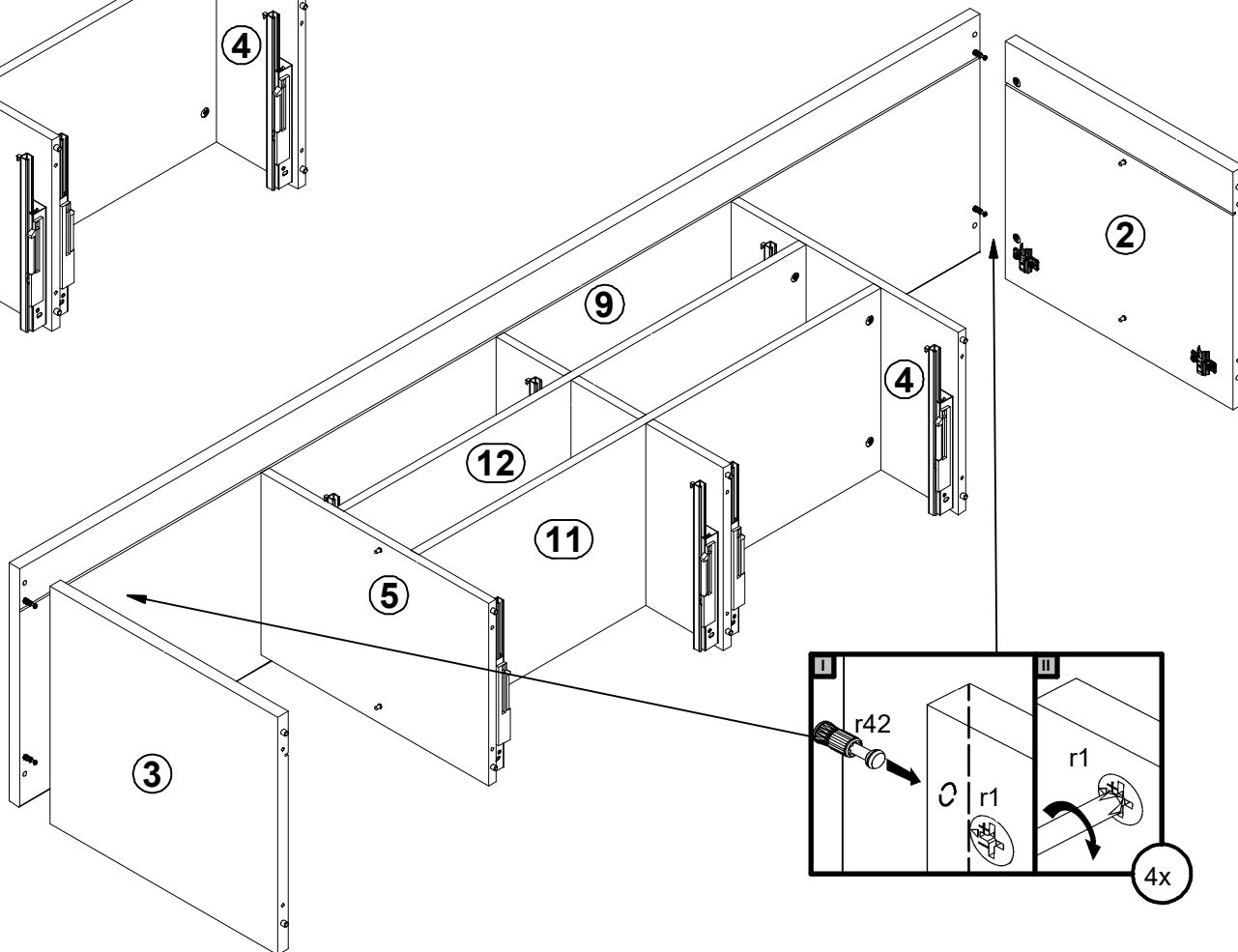
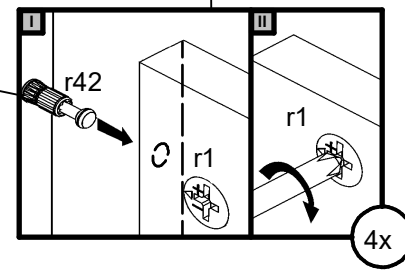
21



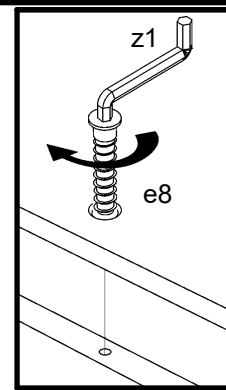
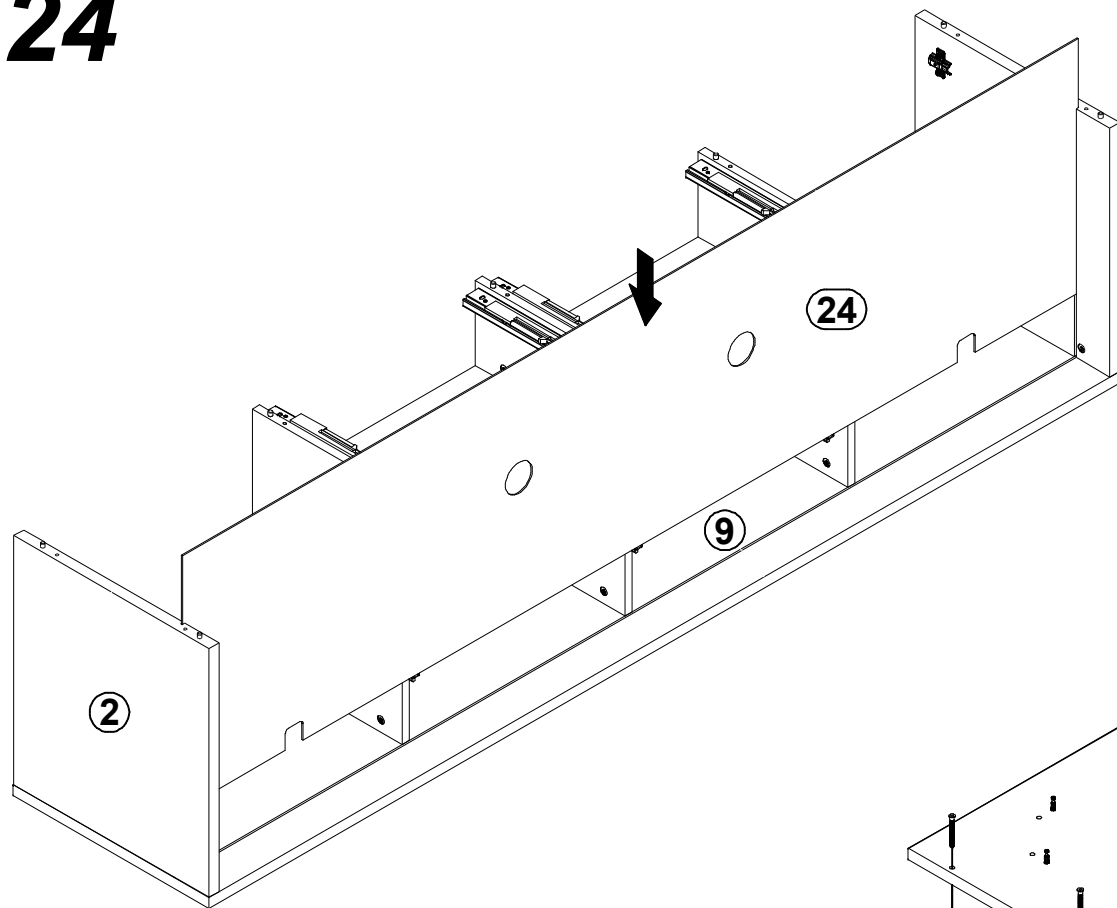
22



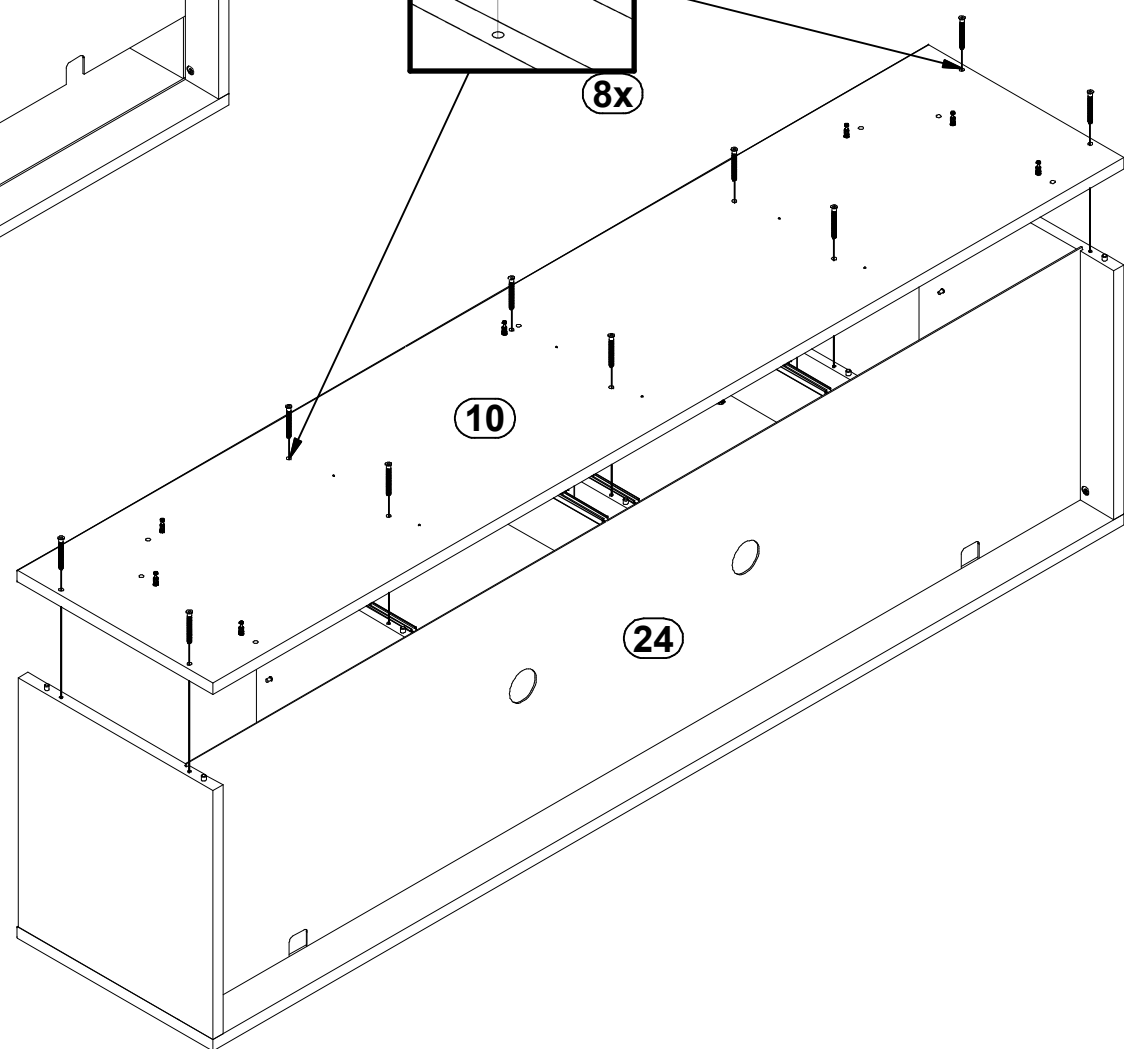
23



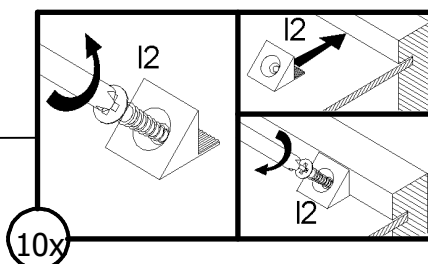
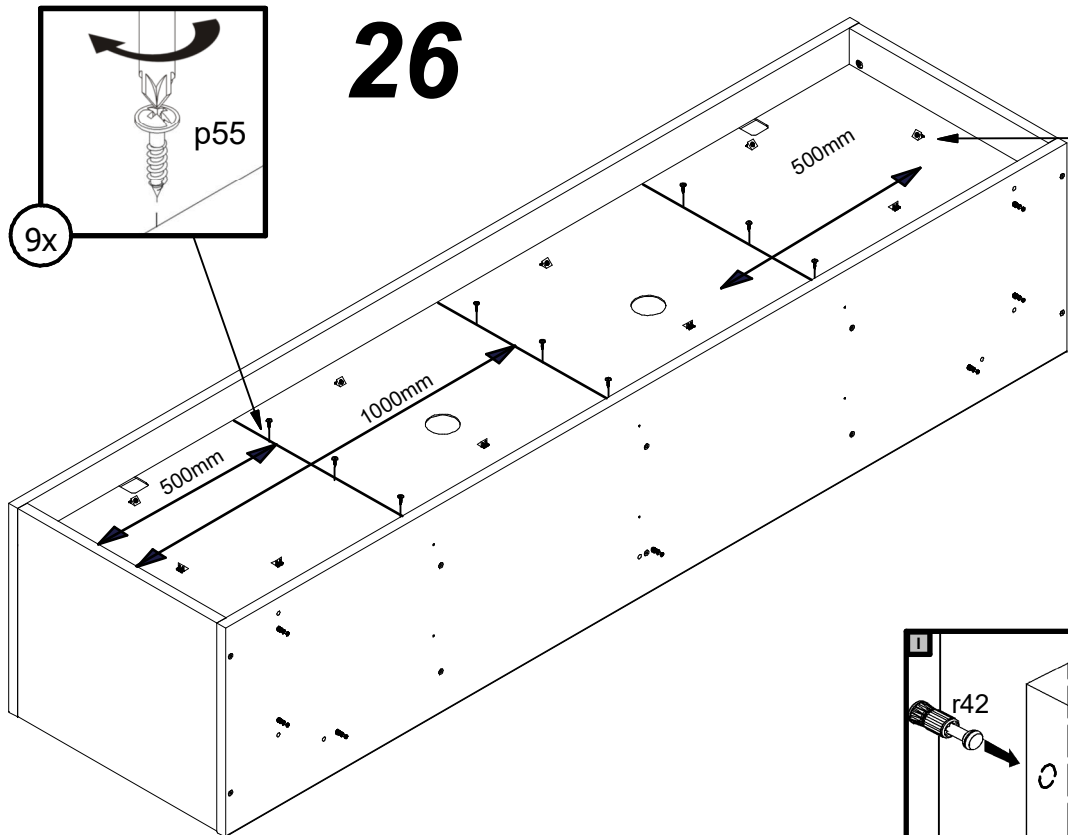
24



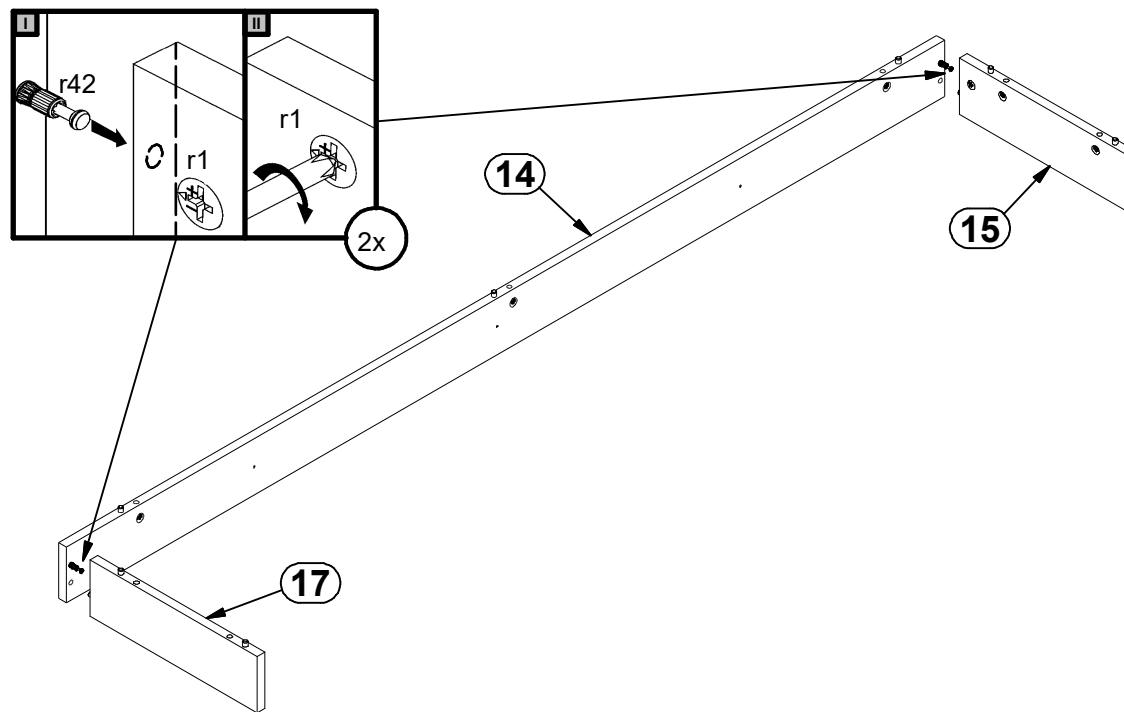
25



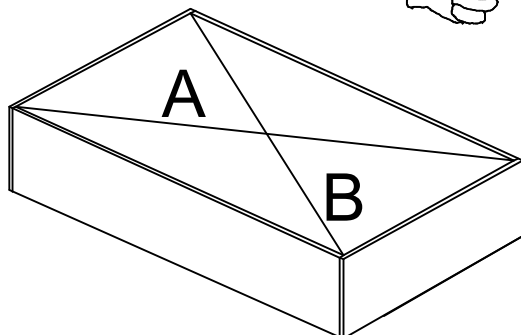
26



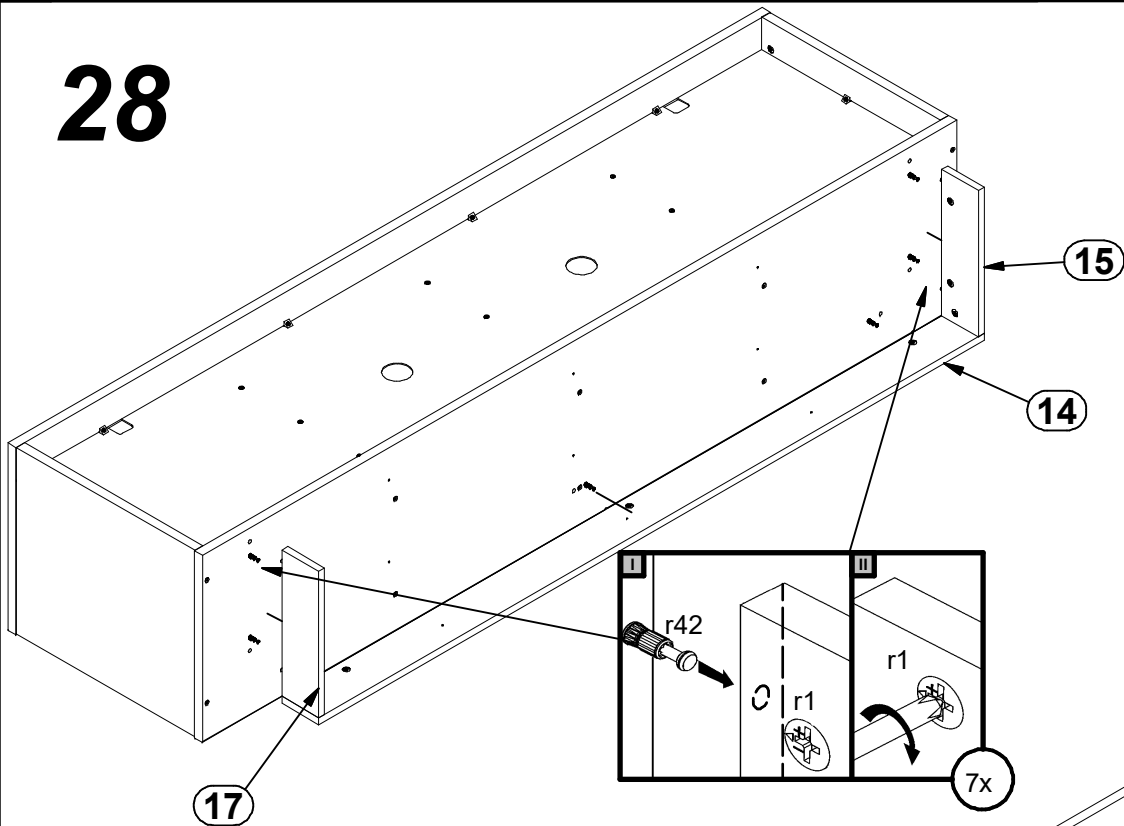
27



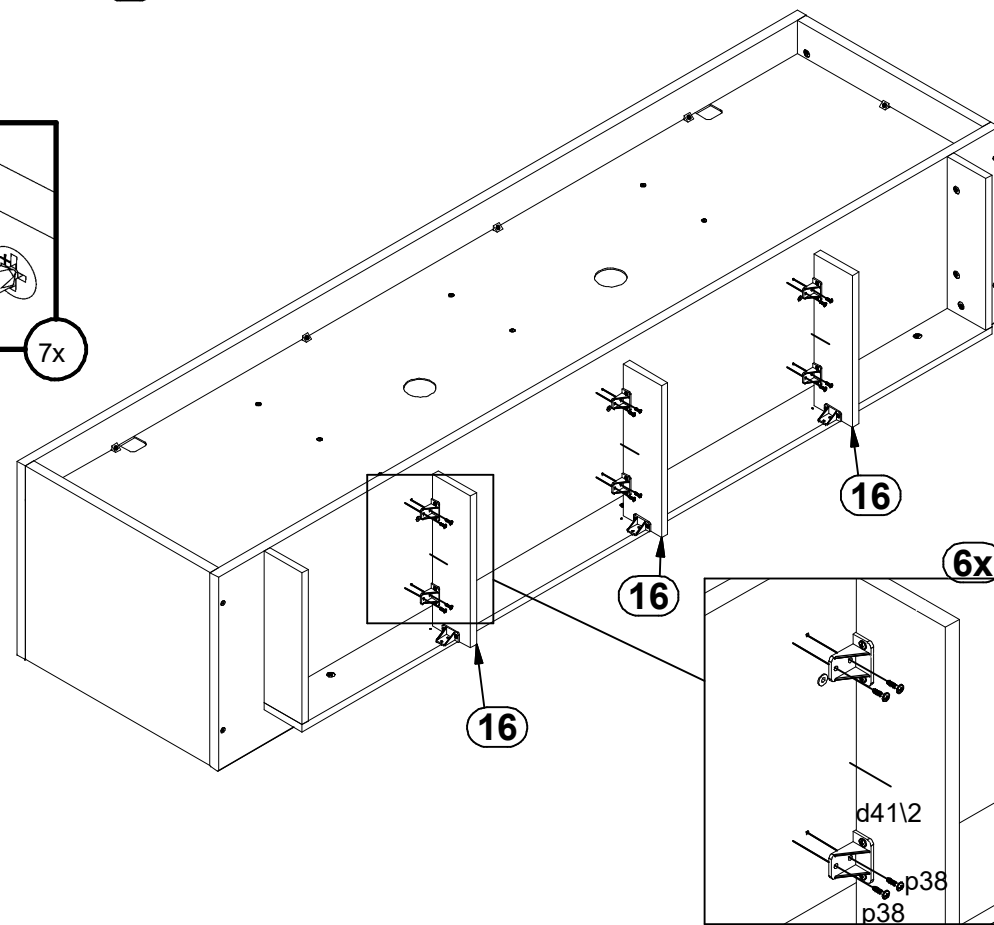
A=B



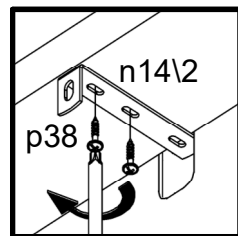
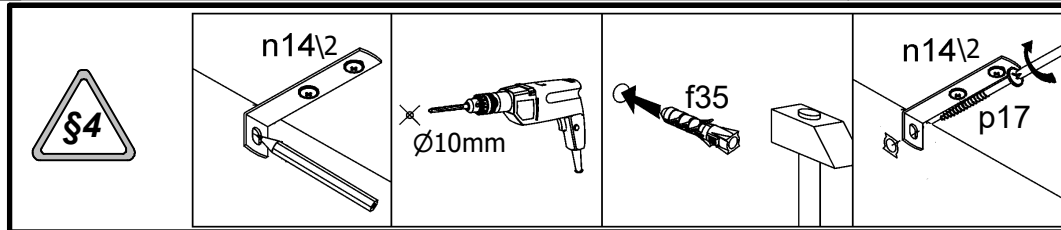
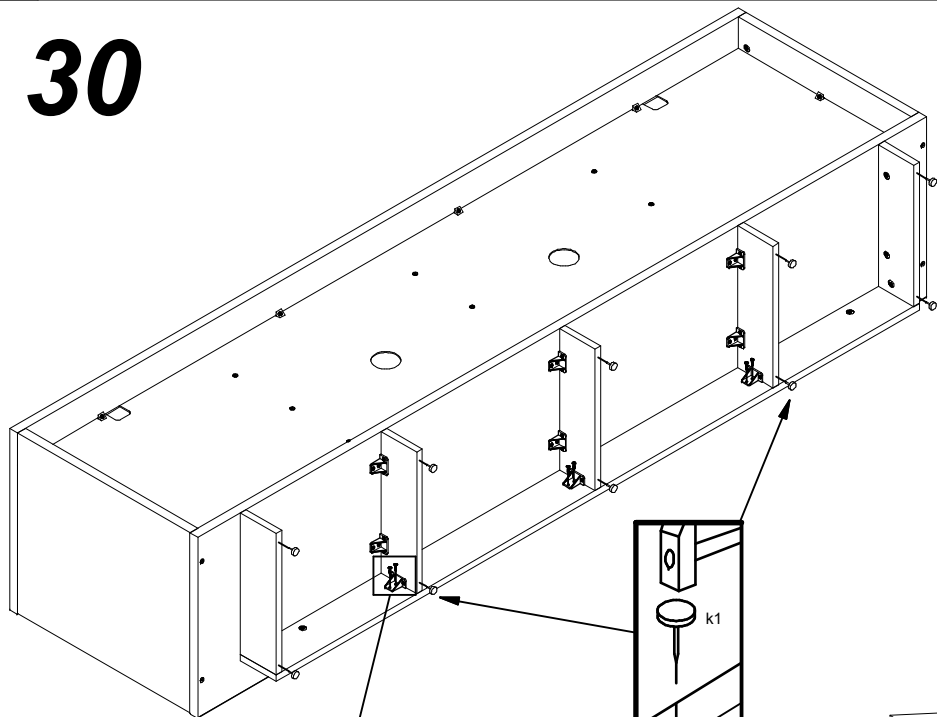
28



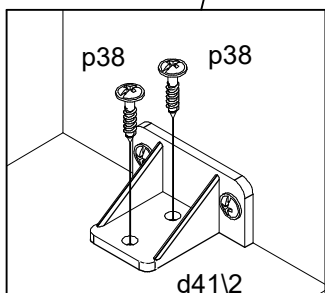
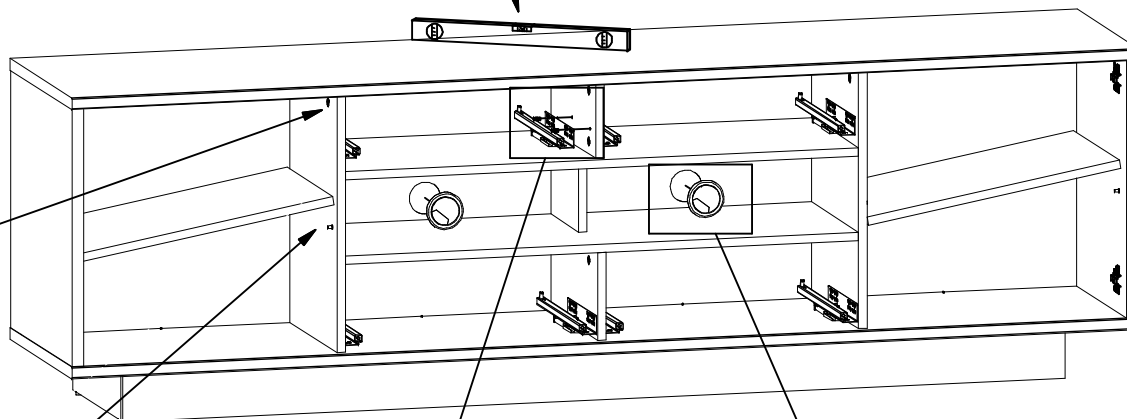
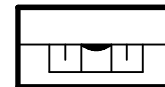
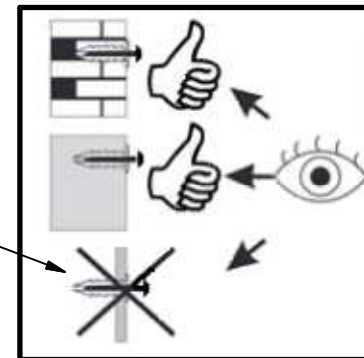
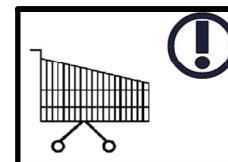
29



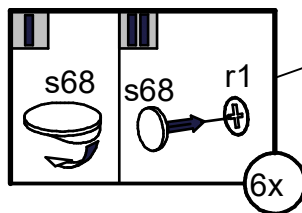
30



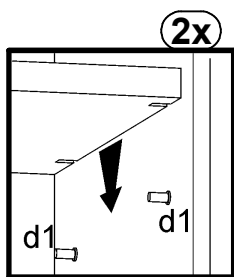
31



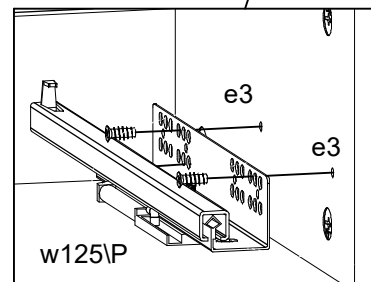
3x



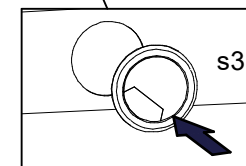
6x



2x

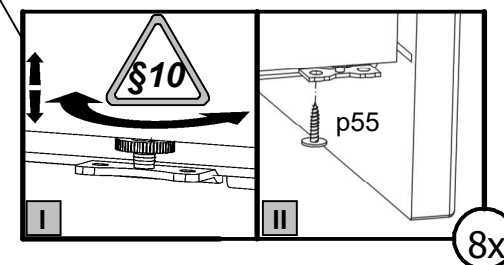
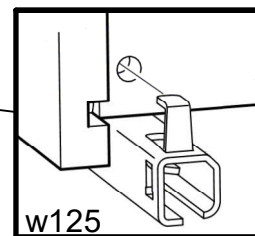
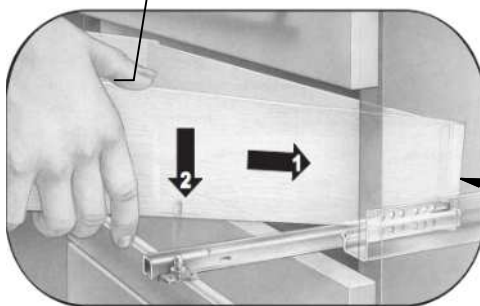
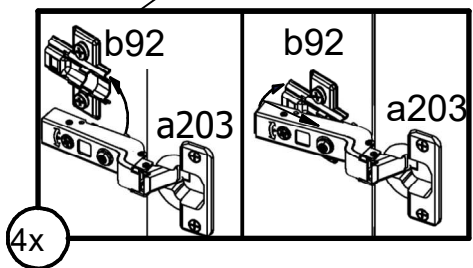
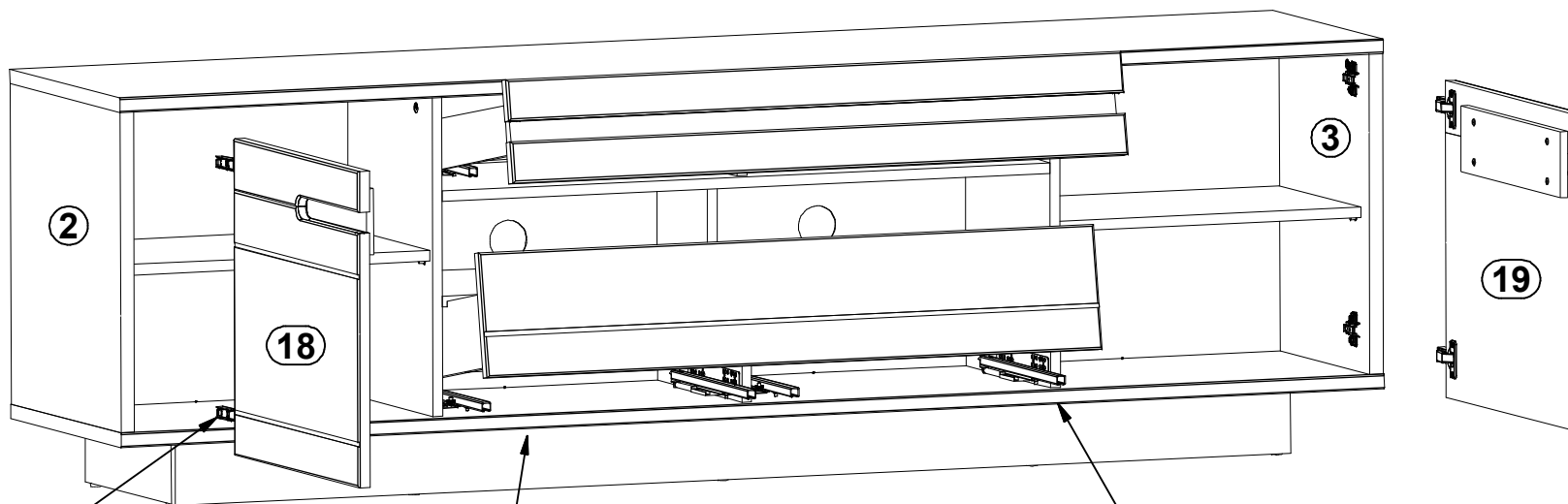


1x

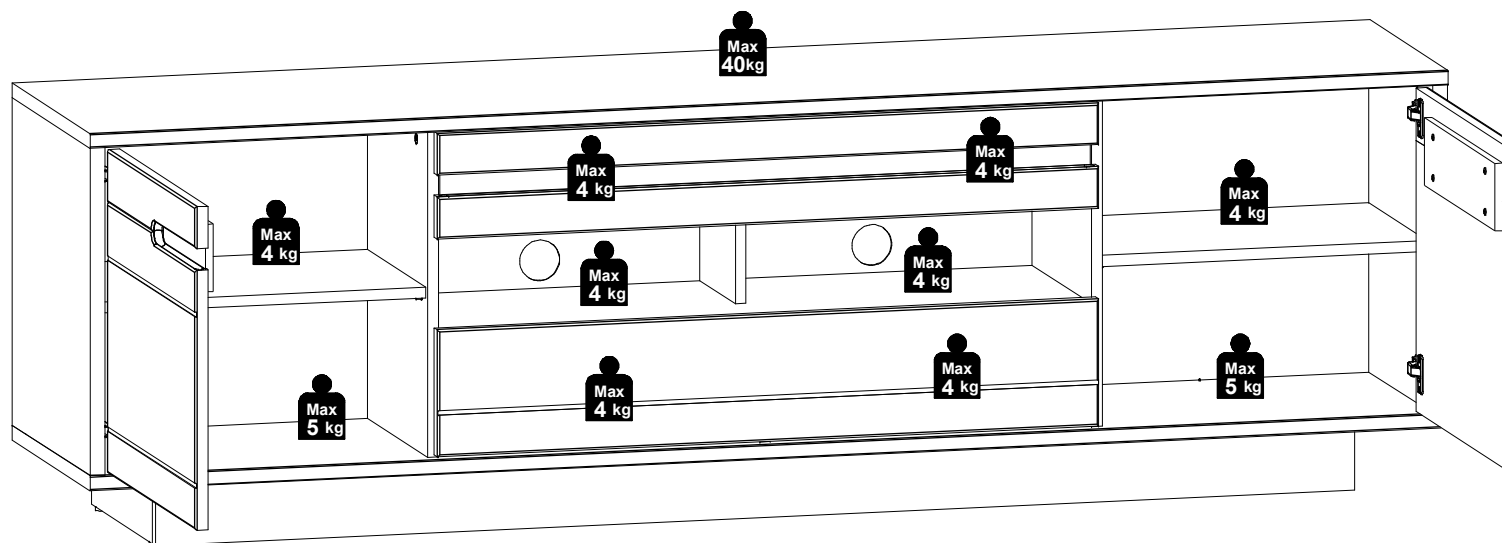
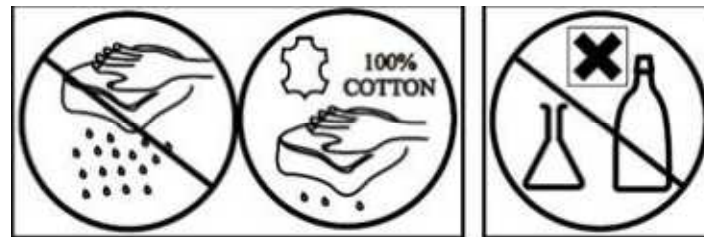


2x

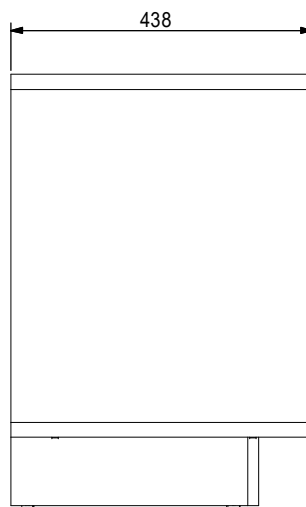
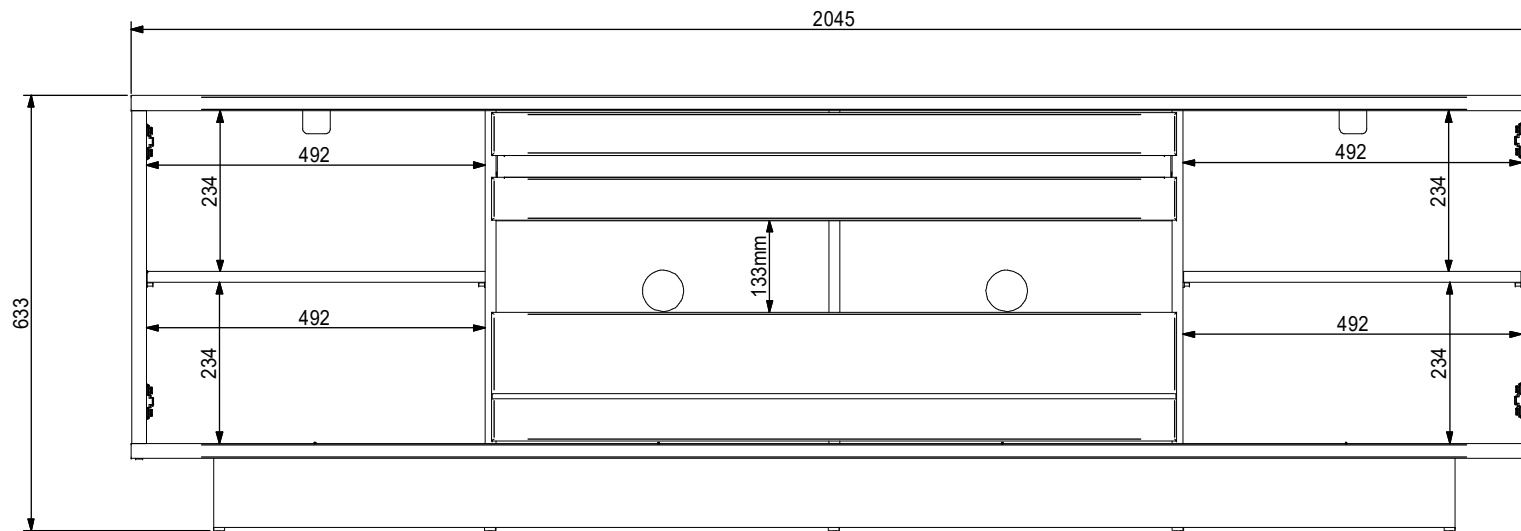
# 32

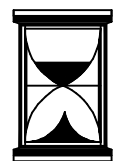
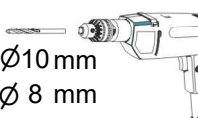
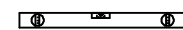
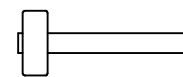
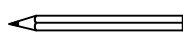
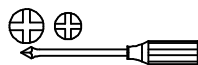
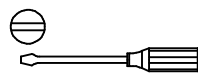
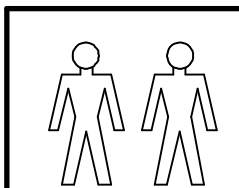
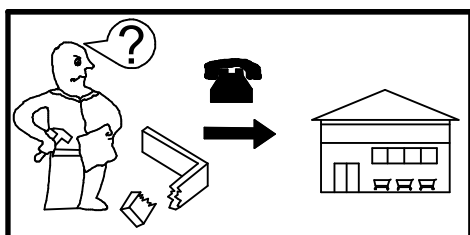
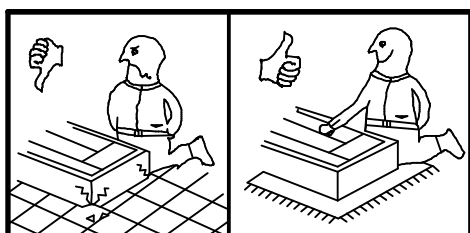
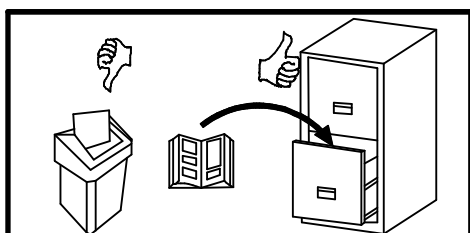
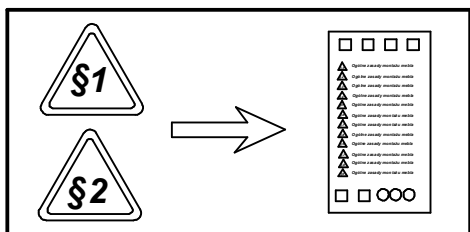
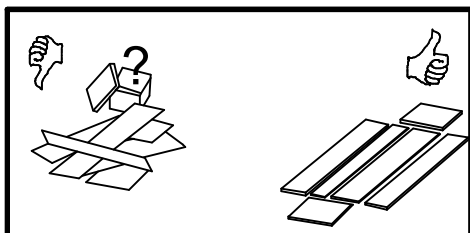
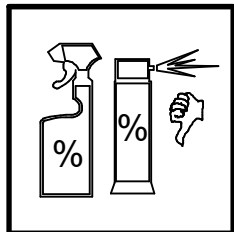
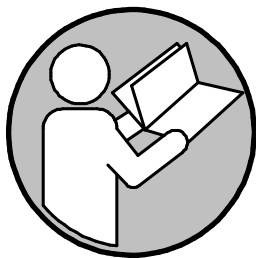


33



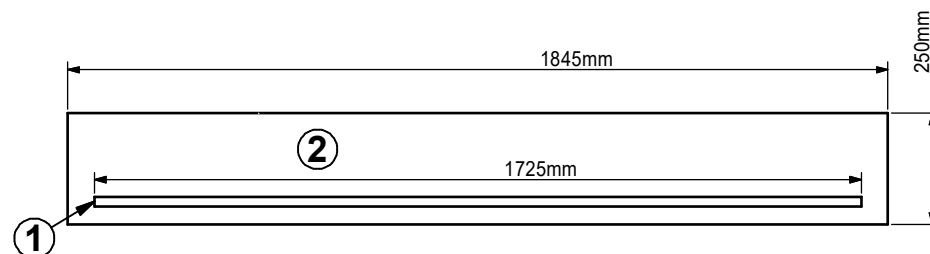
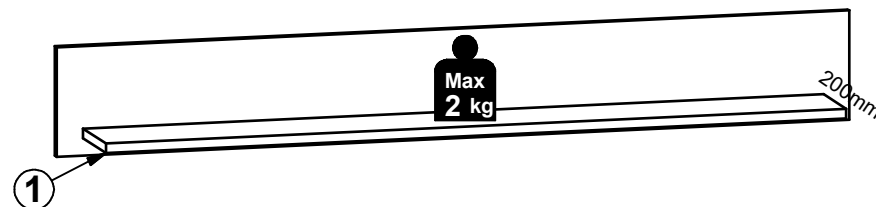
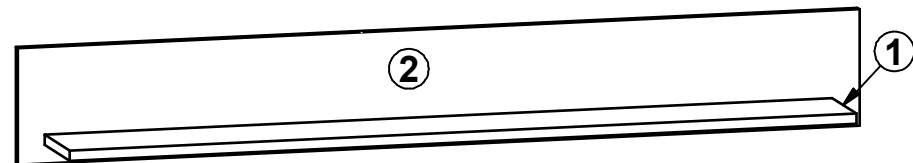
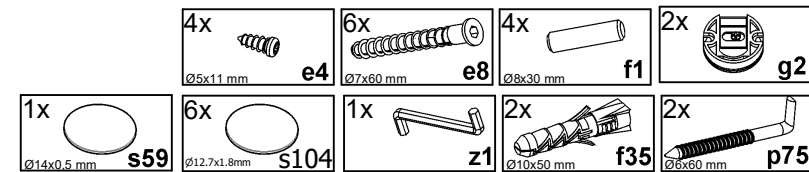




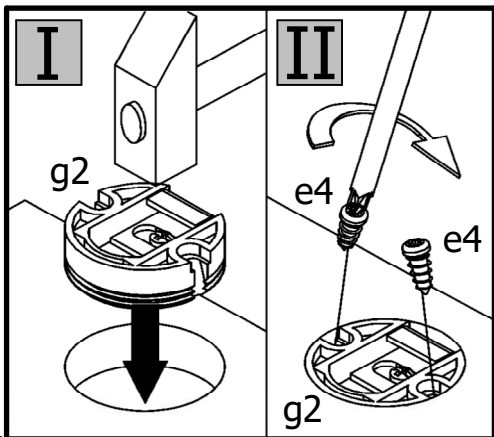


30min

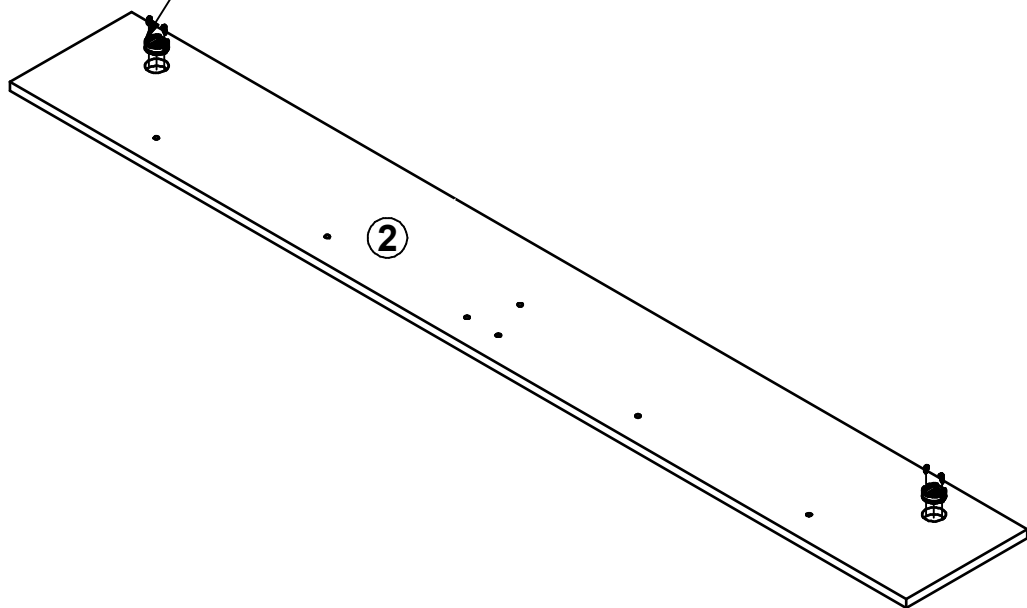
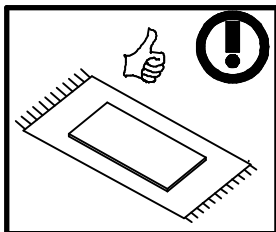
| A | B         | C1   | C2  | C3 | D   |
|---|-----------|------|-----|----|-----|
| 1 | S551-3022 | 1725 | 200 | 22 | 1/1 |
| 2 | S551-4011 | 1845 | 250 | 16 | 1/1 |



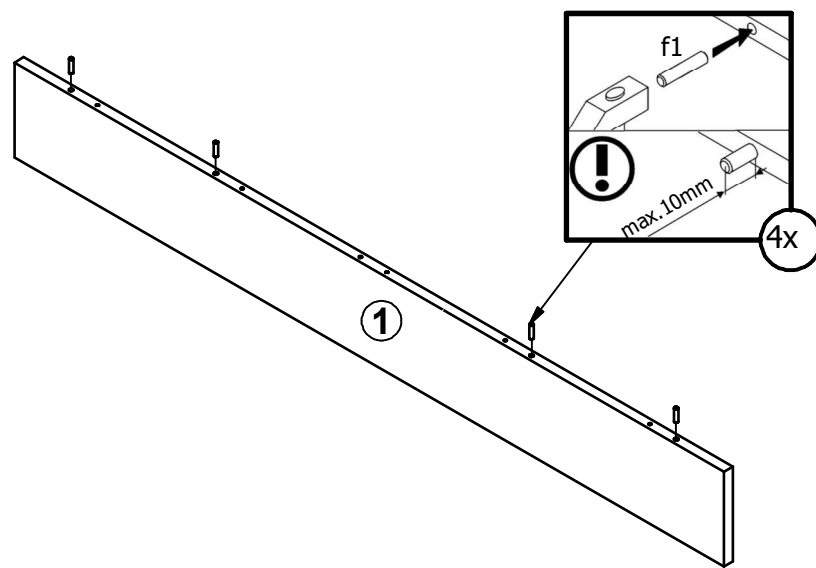
1



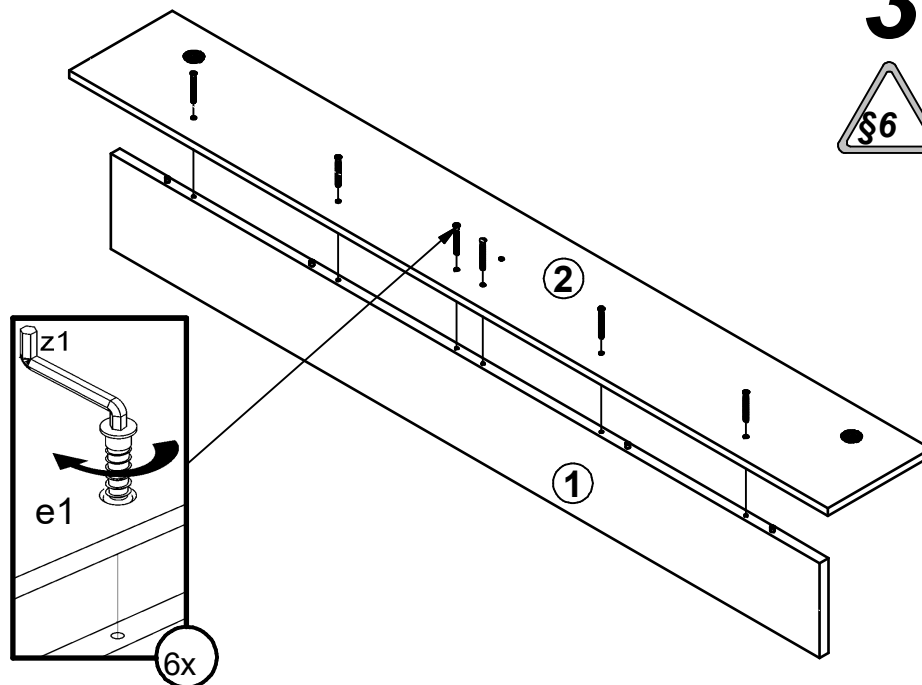
2x

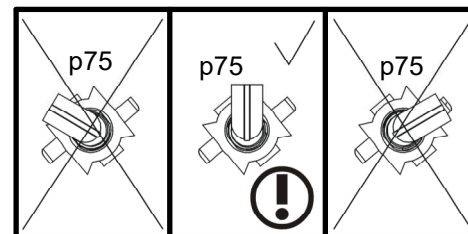
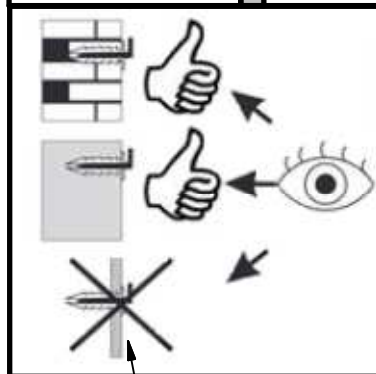
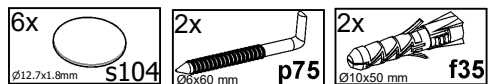
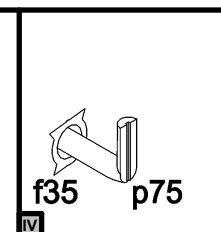
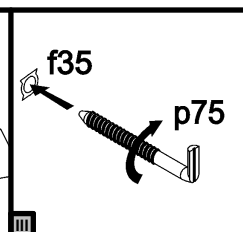
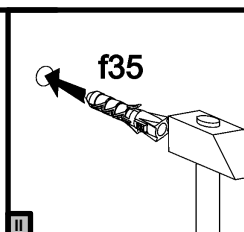
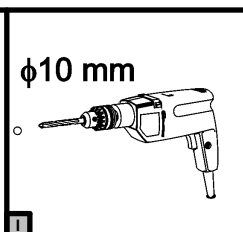
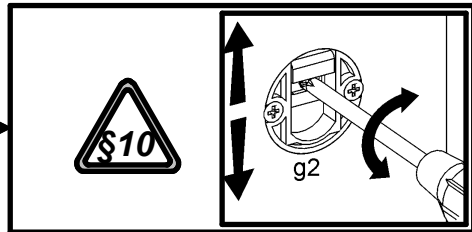
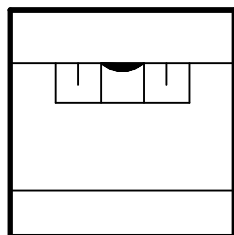


2



3





4

