



LEQISMART

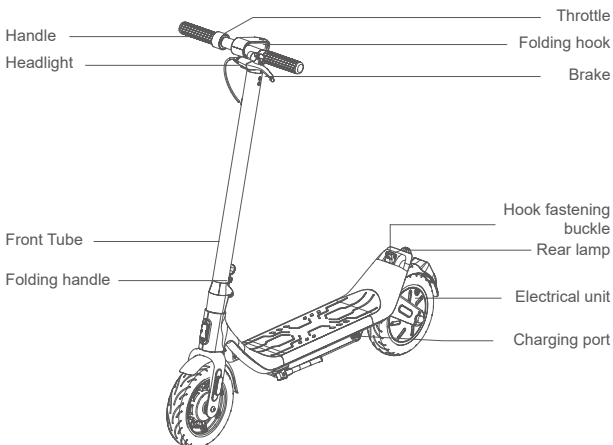
**LEQI Smart Electric Scooter**  
User Manual  
Benutzerhandbuch

## Welcome!

Thank you for choosing LEQI smart electric scooter A11 (hereinafter referred to as scooter)!

Please visit [www.leqismart.com](http://www.leqismart.com) for detailed electronic manual

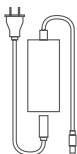
Email: [service@leqismart.com](mailto:service@leqismart.com)



## Packing list



User manual



Power adapter

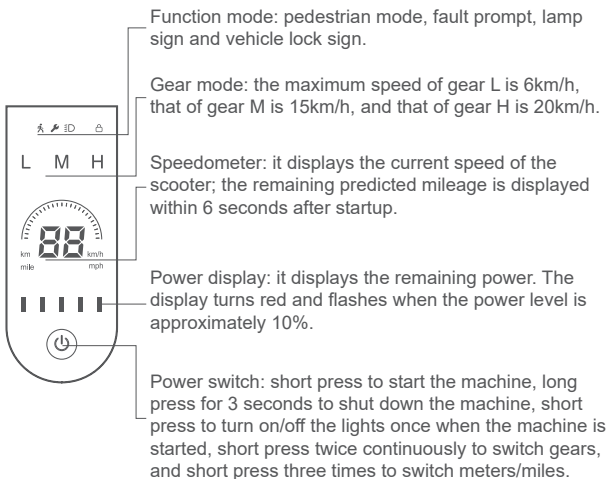


Hex wrench



Screw x 7 pcs

# Instrument display



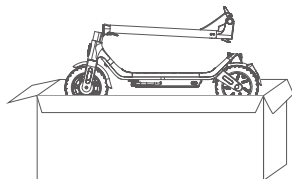
## Product parameters

Product parameters	Product model	A11
	Net weight	About 16,7 kg
	Blank size	114.2x44x119.8cm
Riding conditions	Applicable age	16-50 years old
	Applicable height	130~200cm
	Maximum payload	100kg
Vehicle parameters	Maximum speed	20km/h
	Range	About 30km (condition: 75kg load, ambient temperature 25°C , driving on a flat road at an average speed of about 12~15km/h)
	Climb gradient	About 15%
	Protection grade	IPX5
	Charging time	About 5.5 hours
	BMS management	Overcharge, overtemperature, over discharge, overcurrent, short circuit, overvoltage
Other parameters	Brake system	Drum brake + electronic brake
	Tire size	10 inch vacuum explosion-proof tire

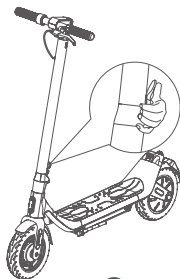
## Product assembly

1. Take the scooter out of the packing box, open the foot brace and stop it stably.

2. Hold the front pipe straight, close the folding handle, and pull the folding handle to confirm whether it is locked.



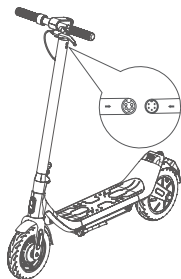
1



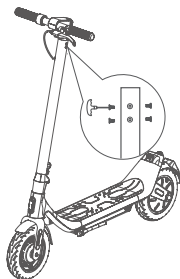
2

3. Manually connect the communication wires in the fixed base and front tube and test for proper power on.

4. Insert the mount into the front tube and use a hex wrench to lock the six screws in place.



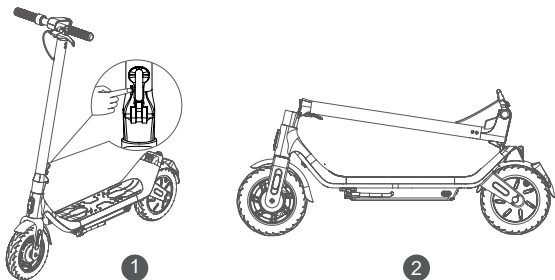
3



4

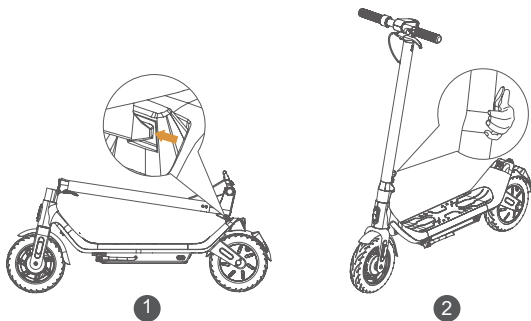
## Product folding

1. Press and hold the red safety lock in the folding handle, pull the folding handle and put down the front tube;
2. Put the folding hook into the hook fixing buckle and lift the front tube to make sure it is locked.



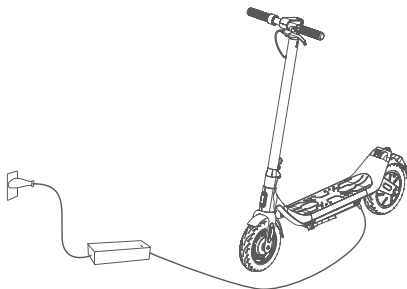
## Product deployment

Remove the hook from the fixed hook clasp, straighten the front tube, close the folding handle until it clicks, and flip the handle to make sure it is locked.



## Charger connection

1. Connect the charger to the power supply, and the indicator light of the charger should be green;
2. When the charging head is inserted, the indicator light changes from green to red;
3. After charging, the indicator light changes from red to green.



Open the rubber plug

Plug in charging head

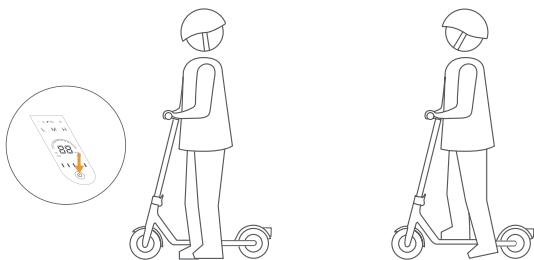
Close the rubber plug after charging is completed

### **i** Points for attention:

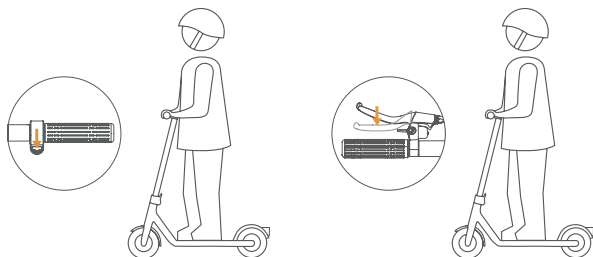
- It is prohibited to charge in a humid environment, and the optimal charging ambient temperature is 0-45 °C ;
  - Please turn off the scooter and use the original power adapter when charging;
  - Avoid contact with children and animals and keep away from inflammables during charging;
  - Do not charge and use if the battery emits an odor, overheats, or leaks.
  - The battery contains dangerous substances. Do not open the battery pack or insert anything into the charging port;
- In case of long-term shutdown, it is recommended to supplement power every three months and store it in a cool and dry place.

## Learn to ride

1. Short press the ON/OFF key, start the scooter and check the battery power. If the power is too low, please charge it in time.
2. Stand on the pedal with your right foot and pedal backward with your left foot. When the scooter speed is  $\geq 4\text{km/h}$ , start the motor.



3. During coasting, after keeping your body balanced, put your other foot on the pedal and lightly press the throttle finger to dial forward.
4. When steering or stopping, release the throttle pointer and use the brake handle to slow down.





# Security alert



⚠ Riding in the rain is prohibited



⚠ Water riding is prohibited



⚠ Entering the motorway is prohibited



⚠ Climbing staircase is prohibited



⚠ Multi-rider is prohibited



⚠ Hanging heavy objects is prohibited



⚠ Using smart phones while riding is prohibited



⚠ Drunk riding is prohibited



⚠ Stepping on the fender is prohibited



⚠ One-legged riding is prohibited



⚠ Extreme sport usage is prohibited



⚠ Disengagement from handle is prohibited



⚠ Do not place in -20 C or above 50 C



⚠ Any kind of modification is prohibited



⚠ Water rinsing to clean is prohibited



⚠ 0% power state is prohibited

## **Safety instructions**

● Scooters are a means of sports and entertainment, and not a means of transportation. When it enters the public area, it will have the attribute of a vehicle. Therefore, there are also safety risks that may exist with all modes of transportation. Riding in strict accordance with the instructions in this manual will protect you and others to the greatest extent. Please be sure to comply with the national and provincial traffic regulations.

● Once the scooter is ridden on public roads or other public places, even if it is operated in full compliance with this safe driving guide, it may be at risk due to driving violations by other people or other means of transportation. As with walking or bicycling, injuries can be caused by other modes of transportation.

● When riding in countries and regions where there are no scooter standards and regulations, you must strictly comply with the safety requirements of this manual for riders. The manufacturer will not bear any direct and joint liabilities for all property and personal losses, accidents, legal disputes, and other adverse events causing conflicts of interest caused by the use behavior in violation of the instructions in this manual.

● As with all vehicles, the faster you ride a scooter, the longer you need to brake. Emergency braking on slippery ground may cause the wheels to slip and lose balance or even fall. Therefore, it is very important to maintain high vigilance, proper speed and safe distance during riding. When driving into unfamiliar terrain, please keep alert and ride at low speed.

● When riding, please respect the right of way of pedestrians and avoid frightening pedestrians, especially children. When riding behind pedestrians, please remind pedestrians in advance and slow down. Pass from the left side of pedestrians as far as possible (applicable to countries and regions where vehicles drive on the right). When facing pedestrians, keep riding on the right and slow down.

● Do not lend the scooter to people who cannot operate it so as to avoid injury. Please be sure to be responsible for his/her safety, teach him/her and inform him/her that he/she must wear

qualified safety protective equipment when handing over the scooter to him/her for use.

- It is recommended to park on flat and firm ground. After lowering the foot support, please check whether the vehicle body is stable to prevent the vehicle from overturning. If you park on a slope, the scooter foot brace must face downhill to prevent tipping. Do not let the car head down to prevent the foot brace from closing under gravity and the vehicle from tipping over.

- The recommended age of user is 16 to 50 years old; the maximum load is 100 kg.

- Riding the scooter when the body vibration will cause the body vibration of the rider, if you are physically tired or lack of energy, please do not ride the scooter.

- Children are not allowed to ride or play with scooters.

- When riding, you must wear qualified helmets, elbow pads, knee pads and other protective equipment.

- If you find any abnormalities such as loose parts, reduced battery life, slow air leakage or excessive tire wear, strange noises from steering and brake failure, stop using it immediately and get in touch with the manufacturer.

## Fault code analysis

Code	Description of fault content	Method of disposal	Corresponding parts
00	Undervoltage, low battery	Please charge in time	Battery
01	Overvoltage, battery voltage too high	The charger needs to be unplugged	Battery
02	Controller failure	The controller needs to be replaced	Controller
03	MOS tube fault	After 15 minutes of shutdown, restart to confirm whether the fault is lifted; if it is not lifted, the controller needs to be replaced	Controller
04	Hardware communication failure	Check the connecting line between the controller and the instrument. Call the manufacturer if the connection is normal but the fault is not resolved	Controller/ instrument/ battery
05	Hall fault	Check the hall wire of controller and motor. If the connection is normal but the fault is not resolved, replace the motor	Electrical machinery
06	Throttle fault	Check the throttle connection cable, if the connection is normal, whether the fault is lifted; if not lifted, need to replace the finger pointer	Finger Dial
07	Brake handle failure	Check the brake connection line, if the connection is normal, whether the fault is lifted; if not, the brake needs to be replaced.	Brake handle
08	OCP protection	Shut down for 5 minutes, and then restart to confirm whether the fault is removed. If not, replace the controller	Controller

09	Motor fault	Shut down for 5 minutes, and then restart to confirm whether the fault is removed. If not, replace the motor	Electrical machinery
10	Battery communication failure	Check the connection line between the controller and the battery, if the connection is normal, but the fault is not lifted; then power off and restart, whether the fault is lifted, if not, the battery needs to be replaced	Controller/ battery

## Environmental protection

This product contains batteries or recyclable electronic waste, and the built-in rechargeable batteries contain substances that may pollute the environment. When disposing of the product, please do not pile it together with general domestic waste. It should be given to the national regulations of electronic waste recycling points, so as to help the environment.

## Battery maintenance and use

- 1.If it is not used for a long time, it is recommended to supplement power every three months and store it in a cool and dry place.
- 2.It is forbidden to disassemble, press or puncture the product. It is prohibited to put this product into water, fire (Including close to heat sources such as stoves and heaters) or expose it to an environment with a temperature higher than 50 ℃ .
- 3.Water leakage in the battery may lead to damage to the internal circuitry, with the risk of fire or even explosion. If the battery seems to have water ingress, stop using it immediately and contact after-sales service.
- 4.It is forbidden to touch the battery contact, and it is forbidden to disassemble or puncture the housing. Avoid short circuit caused by metal objects contacting battery contacts. Otherwise, battery damage or personal injury may occur.
- 5.Avoid running out of power and then recharge, try to use as

much as possible, can extend the life of the battery.

6. Only the original power adapter can be used for charging, otherwise there is a risk of damage or fire.

7. After each use, please fully charge the battery and then store it, which will help to extend the battery life.

8. It is strictly forbidden to place the battery in high temperature above 50 °C or low temperature below -20 °C (e.g. put the scooter or its battery pack in the car under summer exposure) and put the battery pack into the fire, otherwise it may lead to battery failure, overheating and even risk of fire.

9. When used at room temperature (20-25 °C), the range and performance of the battery pack will be more efficient; if used at low temperature, the battery range and performance will be reduced. Please refer to the remaining mileage display in the App for details.

10. Improper disposal of waste batteries will seriously pollute the environment. Please observe local regulations when disposing of battery packs.

11. Do not use battery packs of other models or brands, otherwise there may be safety risks.

## **Tire inflation maintenance**

The tires are vacuum explosion-proof tires and need to be re-inflated when they sink 20-30% in height. It is recommended to replenish air once a month, and the recommended tire pressure after inflation is 45-50psi;

Regular tire pressure checks, and tire surface debris cleaning can extend the life of tires.

## **Folding Maintenance**

1. The folding mechanism is a mechanical structure and needs to be kept lubricated;

2. Please replace the lubricating grease at least once within 2-3 months to avoid folding difficulties caused by mechanical damage. When replacing the grease, please clean the waste grease and other impurities on the surface of the structure, and properly move the folding handle to make the grease fully enter the active gap.

## **Storage environment**

- 1.If the product is not used for a long time, please store it indoors in a dry and cool place to avoid storing it outdoors for a long time;
- 2.Long-term sun exposure, excessive heat and cold outdoor environment will accelerate the appearance of scooters and tire aging, reducing the life of scooters and battery packs.

## **Product cleaning**

- 1.If the surface of the scooter is stained, use a soft cloth dipped with a small amount of water to wipe it;
- 2.If there are difficult to clean stains, you can first apply toothpaste and brush repeatedly with a toothbrush, and then clean with a damp cloth; if there are scratches on the plastic parts of the body, use sandpaper or other abrasive materials to polish can be.

Prompt: do not use alcohol, gasoline, kerosene or other corrosive and volatile chemical solvents for cleaning, otherwise the appearance and internal structure of the car body will be seriously damaged.

Prohibit the use of pressure water gun spray flushing, cleaning to ensure that the scooter is in the off state and fasten the charging port rubber cover, otherwise it may be electrocuted or due to internal water into the serious failure

## **Warranty policy**

### **Warranty period**

- Within 7 days from the day after you sign the receipt, does not affect the second sale of the product, through the after-sales service center testing to determine, you can enjoy free return or exchange service.

●Within 8 -15 days from the day after you sign the receipt, the product performance failure, through the after-sales service center testing to determine, you can enjoy free exchange or repair services.

●If the performance of the product fails within 12 months from the day after you sign the receipt, the product can be repaired free of charge by the after-sales service center.

Tips : Because the transport process requires the use of packaging boxes to ensure the safety of product transportation, we recommend that you retain the box for at least 15 days from the next day of receipt.

## Warranty content

Type	Warranty content	Warranty period
Main Machine	Frame body, motor wheel, controller, handle, instrument, handlebar mount, front tube, drum brake assembly, front fork assembly	1 year
Accessories	Battery body, charger, throttle pointer, brake handle, folding hook, front wheel, brake cable, connecting cable, foot brace set	6 months
Wear and tear parts	Handlebar cover, front and rear lights, front and rear fenders, silicone mats, rubber plugs, instrument cover, reflective strip, frame bottom cover plate, charging seat, hook mount	3 months

## Non-warranty regulations

- Damage caused by force majeure;
- Performance failure of this product and its accessories caused by human factors;
- Unauthorized maintenance, misuse, collision, neglect, abuse, fluid ingestion, accident, alteration, incorrect use of non-product parts, torn or altered labeling.

This product is not guaranteed for commercial use.



## CE DECLARATION OF CONFORMITY

Shenzhen LEQI Intelligent Technology Co.,Ltd.

Factory: 202,No.340 of Guihua Road,Guixiang

Community,Guanlan street,Longhua District, Shenzhen

Declare under our own responsibility for the following equipment:

Item code: A11

Product description: Electric Scooter

is in compliance with the essential requirements and other relevant provisions of the European Machine Directive 2006/42/EC Annex 1,LVD Directive 2014/35/EU,EMC Directive 2014/30/EU,RoHS Directive 2011/65EU.

This product has been tested with the listed standards and found in compliance with the following European Directives :

2006/42/EC Annex/

EN ISO 12100:2010

EN 17128:2020

EN 55014-1: 2021

EN 61000-3-3:2013+A1:2019 +A2:2021

EN IEC 61000-3-2: 2019 +A1:2021

EN 55014-2: 2021

ROHS 2011/65/EU

The batteries are in compliance with the following directives :

EU Directive 2006/66/EC

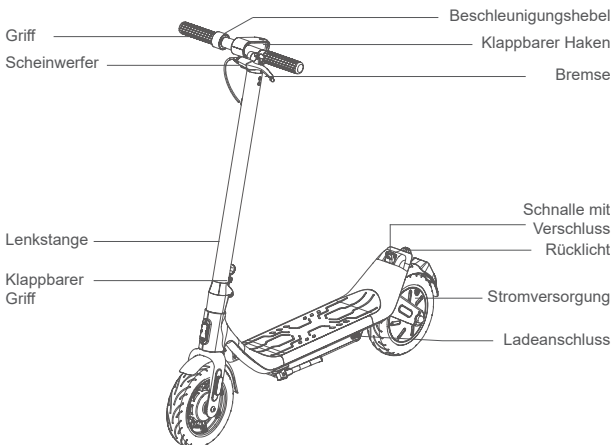
IEC 62133-2:2017

UN38.3

MSDS

## Herzlich willkommen!

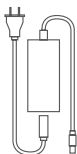
Vielen Dank, dass Sie sich für den intelligenten Elektro-Roller A11 von LEQI (im Folgenden als Roller bezeichnet) entschieden haben!  
Ein ausführliches elektronisches Handbuch finden Sie unter [www.leqismart.com](http://www.leqismart.com). Email: [service@leqismart.com](mailto:service@leqismart.com)



## Packliste



Benutzerhandbuch



Netzadapter

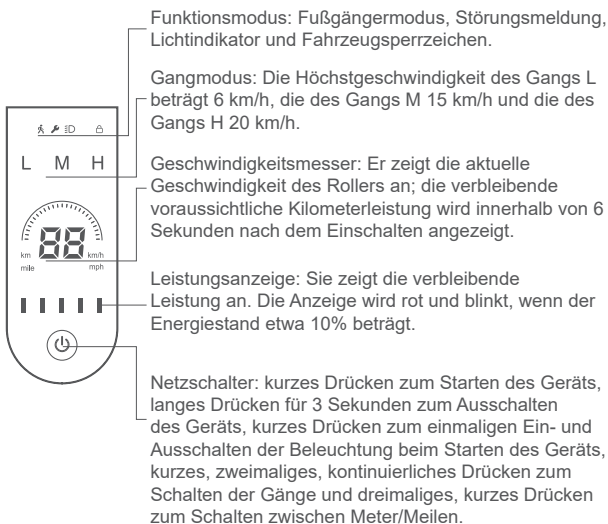


Sechskantschlüssel



Schraube  
x 7 Stück

# Instrumenten-anzeige



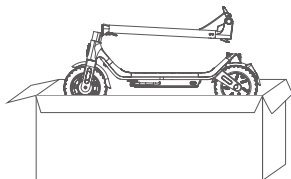
# Produktparameter

Produktparameter	Modell des Produkts	A11
	Nettogewicht	Etwa 16,7 kg
	Leere Größe	114.2x44x119.8cm
Bedingungen für das Fahren	Verwendungsalter	16~50 Jahre
	Anwendbare Höhe	130~200cm
	Maximale Nutzlast	100kg
Fahrzeugparameter	Maximale Geschwindigkeit	20km/h
	Bereich	Etwa 30km (Bedingung: 75kg Last, Umgebungstemperatur 25 °C , Fahren auf einer flachen Straße mit einer durchschnittlichen Geschwindigkeit von etwa 12~15km/h)
	Steigung	Ungefähr 15%
	Schutzgrad	IPX5
	Aufladezeit	Etwa 5,5 Stunden
	BMS-Verwaltung	Überladung, Übertemperatur, Überentladung, Überstrom, Kurzschluss, Überspannung
Andere Parameter	Bremssystem	Trommelbremse + elektronische Bremse
	Reifengröße	10-Zoll-Vakuum-Reifen mit Explosionsschutz

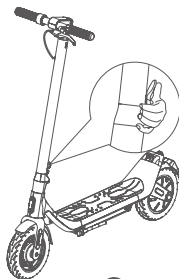
## Montage des Produkts

1. Nehmen Sie den Roller aus dem Verpackungskarton, öffnen Sie die Fußstütze und halten Sie ihn stabil.

2. Halten Sie die Lenkstange gerade, schließen Sie den Klappgriff und ziehen Sie am Klappgriff, um zu prüfen, ob er verriegelt ist.



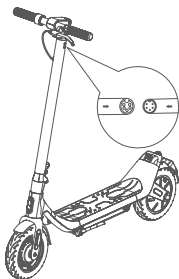
1



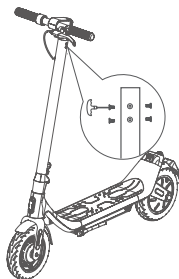
2

3. Schließen Sie die Kommunikationsdrähte in der festen Basis und der Lenkstange von Hand an und prüfen Sie, ob die Stromversorgung ordnungsgemäß funktioniert.

4. Setzen Sie die Halterung in die Lenkstange ein und verwenden Sie einen Sechskantschlüssel, um die sechs Schrauben zu befestigen.



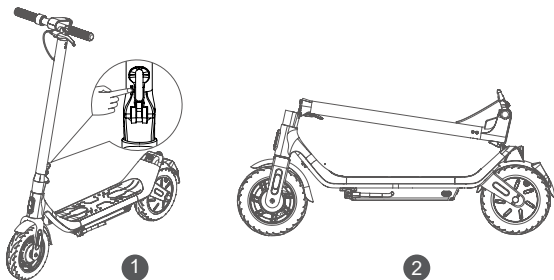
3



4

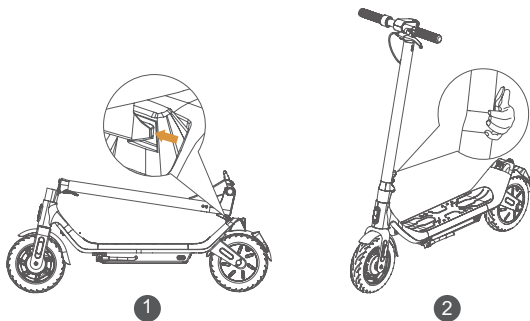
## Produktfaltung

1. Drücken und halten Sie die rote Sicherheitssperre im Klappgriff, ziehen Sie den Klappgriff und legen Sie die Lenkstange ab;
2. Stecken Sie den Klapphaken in die Hakenbefestigungsschnalle und heben Sie die Lenkstange an, um sicherzustellen, dass sie verriegelt ist.



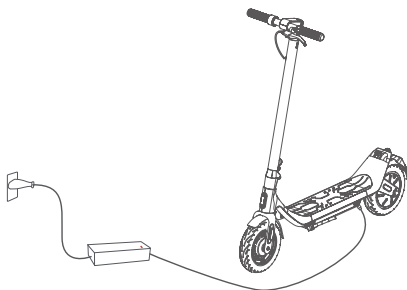
## Produktbereitstellung

- Nehmen Sie den Haken aus dem festen Hakenverschluss, richten Sie die Lenkstange auf, schließen Sie den Klappgriff, bis er einrastet, und klappen Sie den Griff um, um sicherzustellen, dass er verriegelt ist.

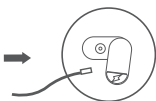


## Anschluss des Ladegeräts

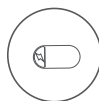
1. Schließen Sie das Ladegerät an das Stromnetz an, und die Anzeileuchte des Ladegeräts sollte grün leuchten;
2. Wenn der Ladekopf eingesetzt ist, wechselt die Kontrollleuchte von grün auf rot;
3. Nach dem Aufladen wechselt die Kontrollleuchte von rot auf grün.



Öffnen Sie den Gummistopfen



Ladekopf einstecken



Gummistopfen nach Abschluss des Ladevorgangs wieder schließen

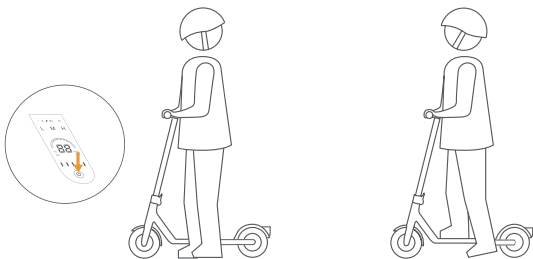
### **i** Zu beachten:

- Es ist verboten, in einer feuchten Umgebung zu laden, und die optimale Umgebungstemperatur für das Laden ist 0-45 °C ;
- Bitte schalten Sie den Roller aus und verwenden Sie zum Aufladen das Originalnetzteil;
- Vermeiden Sie den Kontakt mit Kindern und Tieren und halten Sie sie während des Ladevorgangs von brennbaren Gegenständen fern;
- Laden Sie den Akku nicht auf und verwenden Sie ihn nicht, wenn er einen Geruch abgibt, sich überhitzt oder ausläuft.
- Der Akku enthält gefährliche Substanzen. Öffnen Sie den Akku nicht und stecken Sie keine Gegenstände in den Ladeanschluss;
- Bei längerem Stillstand wird empfohlen, den Strom alle drei Monate aufzuladen und an einem kühlen und trockenen Ort zu lagern.

## Fahren lernen

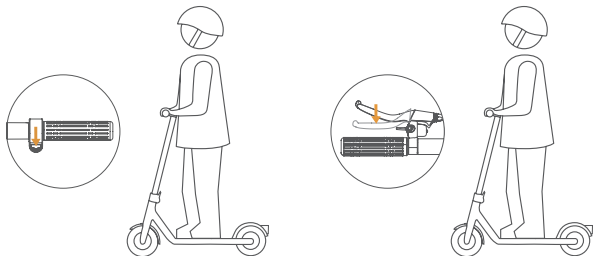
1. Drücken Sie kurz die EIN/AUS-Taste, starten Sie den Roller und überprüfen Sie die Batterieleistung. Wenn die Leistung zu niedrig ist, laden Sie sie bitte rechtzeitig auf.

2. Stellen Sie sich mit dem rechten Fuß auf das Pedal und stoßen Sie sich mit dem linken Fuß ab. Wenn die Geschwindigkeit des Scooters  $\geq 4\text{km/h}$  ist, starten Sie den Motor.



3. Stellen Sie beim Ausrollen, nachdem Sie Ihren Körper im Gleichgewicht gehalten haben, den anderen Fuß auf das Pedal und drücken Sie leicht auf den Gashebel, um vorwärts zu fahren.

4. Lassen Sie beim Lenken oder Anhalten den Gashebel los und bremsen Sie mit dem Bremsgriff ab.





# Sicherheitswarnung



⚠️ Fahren im Regen ist verboten



⚠️ Fahren auf dem Wasser ist verboten



⚠️ Das Befahren der Autobahn ist verboten



⚠️ Fahren auf Treppen ist verboten



⚠️ Benutzung von mehreren Personen verboten



⚠️ Anhängen schwerer Lasten verboten



⚠️ Verwendung von Smartphones beim Fahren verboten



⚠️ Betrunkenes Fahren verboten



⚠️ Das Betreten des Kotflügels ist verboten



⚠️ Einbeiniges Fahren verboten



⚠️ Extrem-Sportverwendung verboten



⚠️ Freihändiges Fahren verboten



⚠️ Nicht bei -20°C oder über 50°C lagern



⚠️ Jede Art von Tuning ist verboten



⚠️ Das Abspülen mit Wasser zur Reinigung ist verboten.



⚠️ 0% Batterieleistung ist verboten

## **Sicherheitshinweise**

●Roller sind ein Sport- und Unterhaltungsgerät und kein Transportmittel. Wenn er in den öffentlichen Raum gelangt, hat er die Eigenschaften eines Fahrzeugs. Daher gibt es auch Sicherheitsrisiken, die bei allen Transportmitteln bestehen können. Das Fahren unter strikter Einhaltung der Anweisungen in diesem Handbuch wird Sie und andere Personen bestmöglich schützen. Bitte beachten Sie unbedingt die nationalen und provinziellen Verkehrsvorschriften.

●Sobald der Roller auf öffentlichen Straßen oder anderen öffentlichen Plätzen gefahren wird, kann er, selbst wenn er in voller Übereinstimmung mit diesem Leitfaden für sicheres Fahren betrieben wird, durch Fahrverstöße anderer Personen oder anderer Verkehrsmittel gefährdet sein. Wie beim Gehen oder Radfahren können Verletzungen auch durch andere Verkehrsmittel verursacht werden.

●Beim Fahren in Ländern und Regionen, in denen es keine Rollernormen und -vorschriften gibt, müssen Sie die Sicherheitsanforderungen dieses Handbuchs für Fahrer strikt einhalten. Der Hersteller übernimmt keine direkte und gemeinsame Haftung für alle Sach- und Personenschäden, Unfälle, Rechtsstreitigkeiten und andere nachteilige Ereignisse, die Interessenkonflikte verursachen, die durch das Nutzungsverhalten in Verletzung der Anweisungen in diesem Handbuch verursacht werden.

●Wie bei allen Fahrzeugen gilt: Je schneller Sie mit dem Roller fahren, desto länger müssen Sie bremsen. Eine Vollbremsung auf glattem Boden kann dazu führen, dass die Räder rutschen und man das Gleichgewicht verliert oder sogar stürzt. Daher ist es sehr wichtig, während der Fahrt hohe Wachsamkeit, eine angemessene Geschwindigkeit und einen sicheren Abstand einzuhalten. Wenn Sie in unbekanntem Gelände fahren, bleiben Sie bitte aufmerksam und fahren Sie mit niedriger Geschwindigkeit.

●Achten Sie beim Fahren auf die Vorfahrt von Fußgängern und vermeiden Sie es, Fußgänger, insbesondere Kinder, zu erschrecken. Wenn Sie hinter Fußgängern fahren, weisen Sie

diese bitte im Voraus darauf hin und fahren Sie langsamer. Fahren Sie so weit wie möglich links an den Fußgängern vorbei (gilt für Länder und Regionen, in denen Fahrzeuge rechts fahren). Wenn Sie Fußgängern gegenüberstehen, halten Sie sich rechts und fahren langsamer.

- Verleihen Sie den Roller nicht an Personen, die ihn nicht bedienen können, um Verletzungen zu vermeiden. Bitte achten Sie darauf, dass Sie für seine Sicherheit verantwortlich sind, unterrichten Sie ihn und weisen Sie ihn darauf hin, dass er eine qualifizierte Sicherheitsausrüstung tragen muss, wenn Sie ihm den Roller zur Benutzung übergeben.

- Es wird empfohlen, auf ebenem und festem Boden zu parken. Prüfen Sie nach dem Absenken der Fußstütze, ob die Karosserie stabil ist, um ein Umkippen des Fahrzeugs zu verhindern. Wenn Sie an einem Hang parken, muss die Fußstütze des Rollers nach unten zeigen, um ein Umkippen zu verhindern. Lassen Sie das Fahrzeug nicht nach unten, damit sich die Fußstütze nicht durch die Schwerkraft schließt und das Fahrzeug nicht umkippt.

- Das empfohlene Alter des Benutzers liegt zwischen 16 und 50 Jahren; die Höchstlast beträgt 100 kg.

- Fahren Sie den Roller, wenn die Körperschwingung wird die Körperschwingung des Fahrers verursachen, wenn Sie körperlich müde oder Mangel an Energie sind, bitte nicht den Roller fahren.

- Kinder dürfen nicht mit Rollern fahren oder damit spielen.

- Beim Fahren müssen Sie einen geeigneten Helm, Ellbogen- und Knieschützer sowie andere Schutzausrüstung tragen.

Wenn Sie irgendwelche Anomalien feststellen, wie z. B. lose Teile, eine verkürzte Batterielebensdauer, langsamen Luftverlust oder übermäßigen Reifenverschleiß, seltsame Geräusche beim Lenken und Bremsversagen, stellen Sie den Betrieb sofort ein und wenden Sie sich an den Hersteller.

# Fehlercode–Analyse

Code	Beschreibung des Fehlerinhalts	Art der Beseitigung	Entsprechende Teile
00	Unterspannung, schwache Batterie	Bitte rechtzeitig aufladen	Batterie
01	Überspannung, Batteriespannung zu hoch	Das Ladegerät muss ausgesteckt werden	Batterie
02	Ausfall des Controllers	Der Controller muss ersetzt werden	Controller
03	MOS-Röhrenfehler	Nach 15 Minuten Abschaltung erneut starten, um zu prüfen, ob der Fehler behoben ist; ist dies nicht der Fall, muss das Steuergerät ausgetauscht werden.	Controller
04	Hardware-Kommunikationsfehler	Überprüfen Sie die Verbindungsleitung zwischen dem Steuergerät und dem Gerät. Rufen Sie den Hersteller an, wenn die Verbindung normal ist, aber die Störung nicht behoben wird	Controller/ Instrument/ Batterie
05	Hall-Störung	Prüfen Sie den Hall-Draht von Steuerung und Motor. Wenn die Verbindung normal ist, der Fehler aber nicht behoben werden kann, tauschen Sie den Motor aus.	Elektrische Maschinen
06	Drosselklappenfehler	Prüfen Sie das Gaspedalverbindungskabel, wenn die Verbindung normal ist, ob der Fehler behoben ist; wenn nicht behoben, müssen Sie den Fingerzeiger ersetzen	Fingerwahl
07	Ausfall des Bremsgriffs	Prüfen Sie die Anschlussleitung der Bremse, ob der Anschluss normal ist, ob der Fehler behoben ist; wenn nicht, muss die Bremse ausgetauscht werden.	Bremsengriff
08	OCP-Schutz	Schalten Sie das Gerät 5 Minuten lang aus und starten Sie es dann neu, um zu prüfen, ob der Fehler behoben ist. Wenn nicht, tauschen Sie das Steuergerät aus.	Controller

09	Motorstörung	Schalten Sie das Gerät 5 Minuten lang aus und starten Sie es dann erneut, um zu prüfen, ob der Fehler behoben ist. Wenn nicht, tauschen Sie den Motor aus.	Elektrische Maschinen
10	Ausfall der Batteriekommunikation	Überprüfen Sie die Verbindungsleitung zwischen dem Steuergerät und der Batterie, wenn die Verbindung normal ist, aber der Fehler nicht behoben wird; schalten Sie dann die Stromversorgung aus und starten Sie neu, ob der Fehler behoben wird, wenn nicht, muss die Batterie ersetzt werden	Controller/ Batterie

## Schutz der Umwelt

Dieses Produkt enthält Batterien oder wiederverwertbaren Elektronikschrott, und die eingebauten wiederaufladbaren Batterien enthalten Substanzen, die die Umwelt verschmutzen können. Wenn Sie das Produkt entsorgen, werfen Sie es bitte nicht in den allgemeinen Hausmüll. Um die Umwelt zu schonen, sollten Sie es bei den nationalen Recyclingstellen für Elektroschrott abgeben.

## Wartung und Verwendung von Batterien

1. Wenn es längere Zeit nicht benutzt wird, empfiehlt es sich, den Strom alle drei Monate aufzufüllen und es an einem kühlen und trockenen Ort zu lagern.
2. Es ist verboten, das Produkt zu zerlegen, zu drücken oder zu durchstechen. Es ist verboten, dieses Produkt in Wasser oder Feuer zu legen (einschließlich in der Nähe von Wärmequellen wie Öfen und Heizungen) oder es einer Umgebung mit einer Temperatur von mehr als 50 °C auszusetzen.
3. Wenn Wasser in den Akku eindringt, kann dies zu einer Beschädigung der internen Schaltkreise und damit zu Brand- oder sogar Explosionsgefahr führen. Wenn der Akku eindringendes Wasser zu haben scheint, verwenden Sie ihn nicht weiter und wenden Sie sich an den Kundendienst.
4. Es ist verboten, die Batteriekontakte zu berühren, das Gehäuse zu demontieren oder zu durchbohren. Vermeiden Sie

Kurzschlüsse, die durch den Kontakt von Metallgegenständen mit den Batteriekontakten verursacht werden. Andernfalls kann es zu Schäden an der Batterie oder zu Verletzungen kommen.

5. Vermeiden Sie, dass der Strom ausgeht und laden Sie ihn dann wieder auf. Versuchen Sie, so viel wie möglich zu benutzen, um die Lebensdauer des Akkus zu verlängern.

6. Zum Aufladen darf nur das Original-Netzteil verwendet werden, andernfalls besteht die Gefahr einer Beschädigung oder eines Brandes.

7. Bitte laden Sie den Akku nach jedem Gebrauch vollständig auf und lagern Sie ihn dann, um die Lebensdauer des Akkus zu verlängern.

8. Es ist strengstens verboten, den Akku bei hohen Temperaturen über 50°C oder niedrigen Temperaturen unter -20°C (z.B. den Roller oder seinen Akku im Auto im Sommer) zu lagern und den Akku ins Feuer zu legen, da dies sonst zu einem Ausfall des Akkus, Überhitzung und sogar Brandgefahr führen kann.

9. Bei der Verwendung bei Raumtemperatur (20-25 °C) sind die Reichweite und die Leistung des Akkus effizienter; bei der Verwendung bei niedrigen Temperaturen verringern sich die Reichweite und die Leistung des Akkus. Einzelheiten entnehmen Sie bitte der Restkilometeranzeige in der App.

10. Die unsachgemäße Entsorgung von Altbatterien führt zu einer erheblichen Umweltverschmutzung. Bitte beachten Sie bei der Entsorgung von Akkus die örtlichen Vorschriften.

11. Verwenden Sie keine Akkus anderer Modelle oder Marken, da es sonst zu Sicherheitsrisiken kommen kann.

## **Wartung des Reifendrucks**

Die Reifen sind vakuumexplosionsgeschützt und müssen aufgepumpt werden, wenn sie um 20-30% an Höhe verlieren. Es wird empfohlen, einmal im Monat Luft nachzufüllen, und der empfohlene Reifendruck nach dem Aufpumpen beträgt 45-50psi;

Regelmäßige Reifendruckkontrollen und die Reinigung der Reifenoberfläche können die Lebensdauer der Reifen verlängern.

## **Wartung der Faltung**

1. Der Klappmechanismus ist eine mechanische Konstruktion und muss ständig geschmiert werden;
2. Bitte ersetzen Sie das Schmierfett mindestens einmal innerhalb von 2-3 Monaten, um Faltprobleme aufgrund mechanischer Beschädigungen zu vermeiden. Wenn Sie das Schmierfett austauschen, reinigen Sie bitte das Altfett und andere Verunreinigungen auf der Oberfläche der Struktur und bewegen Sie den Faltgriff richtig, damit das Schmierfett vollständig in den aktiven Spalt gelangt.

## **Garantiepolitik**

### **Gewährleistungsfrist**

- Innerhalb von 7 Tagen ab dem Tag, nachdem Sie die Quittung zu unterzeichnen, hat keinen Einfluss auf den zweiten Verkauf des Produkts, durch die After-Sales-Service-Center Tests zu bestimmen, können Sie kostenlose Rückgabe oder Austausch-Service genießen.
- Innerhalb von 8-15 Tagen ab dem Tag, nachdem Sie die Quittung unterschreiben, die Produkt-Performance-Fehler, durch die After-Sales-Service-Center Tests zu bestimmen, können Sie kostenlosen Austausch oder Reparatur-Dienstleistungen genießen.
- Wenn die Leistung des Produkts innerhalb von 12 Monaten nach Unterzeichnung des Kaufbelegs ausfällt, kann das Produkt vom Kundendienstzentrum kostenlos repariert werden.
- Tipps: Da der Transportprozess die Verwendung von Verpackungskartons erfordert, um die Sicherheit des Produkts zu gewährleisten, empfehlen wir Ihnen, den Karton für mindestens 15 Tage ab dem nächsten Tag des Empfangs aufzubewahren.

## Inhalt der Garantie

Typ	Inhalt der Garantie	Gewährleistungsfrist
Hauptmaschine	Rahmenkörper, Motorrad, Regler, Griff, Instrument, Lenkerhalterung, Vorderrohr, Trommelbremsanlage, Vordergabel	1 Jahr
Zubehör	Batteriegehäuse, Ladegerät, Gashebel, Bremsgriff, Klapphaken, Vorderrad, Bremskabel, Verbindungskabel, Fußstützen-Set	6 Monate
Verschleißteile	Lenkerabdeckung, Vorder- und Rücklicht, vordere und hintere Schutzbleche, Silikonmatten, Gummistopfen, Instrumentenabdeckung, Reflektorstreifen, Abdeckplatte am Rahmenboden, Ladesitz, Hakenhalterung	3 Monate

## Nicht-Garantiebestimmungen

- Schäden, die durch höhere Gewalt verursacht wurden;
- Leistungsstörungen dieses Produkts und seines Zubehörs, die durch menschliche Faktoren verursacht werden;
- Unerlaubte Wartung, unsachgemäßer Gebrauch, Zusammenstoß, Vernachlässigung, Missbrauch, Verschlucken von Flüssigkeiten, Unfall, Änderung, falsche Verwendung von Nicht-Produktteilen, zerrissene oder geänderte Beschriftung.
- Dieses Produkt ist nicht für den kommerziellen Gebrauch bestimmt.



## CE-KONFORMITÄTSERKLÄRUNG

Shenzhen LEQI Intelligente Technologie Co., Ltd.

Fabrik: 202, Nr. 340 der Guihua Road, Guixiang Community,  
Guanlan Street, Longhua District, Shenzhen

Deklariieren Sie in eigener Verantwortung folgende Geräte:

Artikelcode: A11

Produktbeschreibung: Elektroroller

entspricht den grundlegenden Anforderungen und anderen relevanten Bestimmungen der Europäischen Maschinenrichtlinie 2006/42/EG Anhang 1, Niederspannungsrichtlinie 2014/35/EU, EMV-Richtlinie 2014/30/EU, RoHS-Richtlinie 2011/65 EU.

Dieses Produkt wurde gemäß den aufgeführten Normen getestet und entspricht den folgenden europäischen Richtlinien:

2006/42/EG Anhang/

ENISO12100:2010

EN 17128:2020

EN 55014-1: 2021

EN 61000-3-3:2013+A1:2019 +A2:2021

EN IEC 61000-3-2: 2019 +A1:2021

EN 55014-2: 2021

ROHS-Richtlinie 2011/65/EU

Die Batterien entsprechen den folgenden Richtlinien:

EU-Richtlinie 2006/66/EG

IEC 62133-2:2017

UN38.3