

### 1、SCOPE

This specification governs the performance of the following Camelion Lithium/Iron disulfide (Li/FeS<sub>2</sub>) Lithium Cylindrical cell.

Model : FR6  
 Cell Size : AA (  $\phi$  14.0<sup>±0.5</sup> × H50.0<sup>±0.5</sup> mm)  
 AA (  $\phi$  0.55<sup>±0.02</sup> × H1.97<sup>±0.02</sup> inch)

### 2、RATINGS

Description	Unit	Specification	Conditions
Nominal Voltage	V	1.5	Unit cell
Nominal Capacity	mAh	2900mAh	1000mA discharge to 0.8V
Typical IR	m $\Omega$	100	Full charge
Work Voltage	V	1.30	Constant current 200mA discharge
Discharge Cut-off Voltage	V	0.8	
Max. Discharge Current	mA	2000	
Volume	cm <sup>3</sup>	8.0(0.5 cubic inch)	
Lithium Content		Less than 1 gram (0.04 oz.) per cell	
Ambient Temperature	°C	-20~60	for Discharge
Storage Temperature	°C	-20~35	
Storage humidity	%	≤ 70	
Typical Weight	Gram	14.5	Unit cell
Shell Life	Year	10-15	

### 3、PERFORMANCE

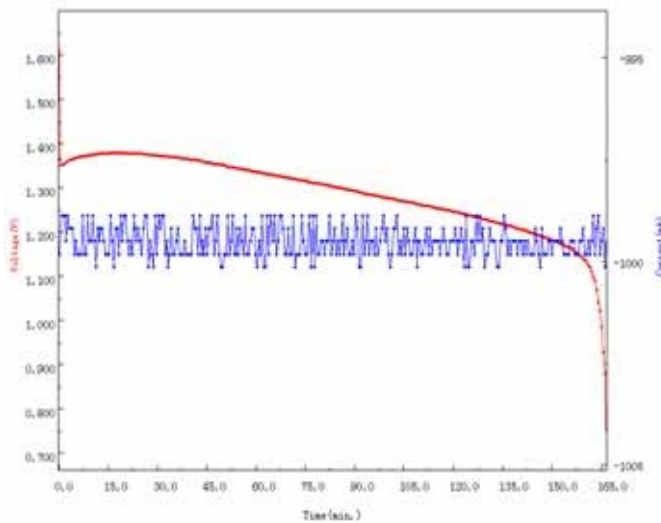
Unless otherwise stated, tests should be done within one month of delivery under the following conditions:

Ambient Temperature : 20 ± 5°C  
 Relative Humidity : 65 ± 20%

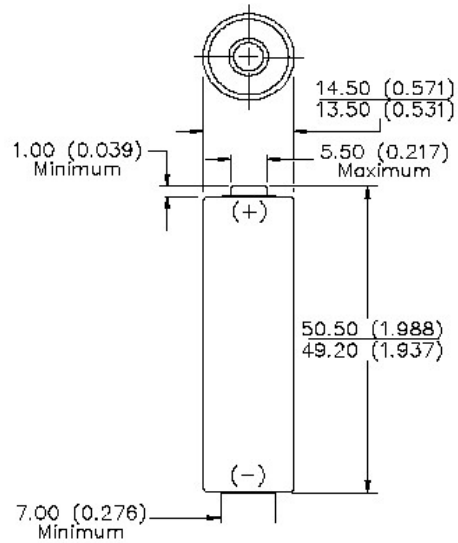
Item	Measuring Procedure	Standard
3.1 Appearance	Visual	No Defect and Leak
3.2 Dimension	Caliper	As item 5
3.3 Weight	Scale	As item 2
3.4 Max. Discharge Current	Until final discharge voltage	2000mA
3.5 Open Circuit Voltage	Measure open circuit voltage	>1.72V
3.6 Internal Impedance	Measure the battery with 1kHz AC	100 m $\Omega$
3.7 Discharge Capacity	The battery discharge until final discharge voltage 0.8V, at 0.2C and measure the capacity	>2900mAh

3.8 Leakage Proof	the battery shall be stored at $40 \pm 2^{\circ}\text{C}$ and humidity $80 \pm 5\%$ for 21 days	No leakage should be observed by visual inspection
-------------------	---	--

#### 4. Discharge Curve: discharge at 1000mA to 0.8V



#### 5. Dimension (Bare cell) : mm



#### 6. CONFIGURATION, DIMENSIONS AND MARKINGS

Complies to IEC 60086-2;

Please refer to the attached engineering data sheet.

#### 7. EXTERNAL APPEARANCE

The cell shall be free from cracks, scars, breakage, rust, discoloration, leakage and deformation.

#### 8. WARRANTY

Ten years limited warranty against workmanship and material defects.

#### 9. CAUTIONS

- (1) Charging is not acceptable.
- (2) Do not short circuit the cell - permanent damage to the cell may result.
- (3) Do not discharge with more than our specified current.
- (4) Do not incinerate or mutilate the cell.
- (5) Do not solder directly to the cell.
- (6) The life expectancy may be reduced if the cell is subjected adverse conditions like extreme temperatures, excessive over-discharging.
- (7) If problems are found, stop usage and send batteries to local agent.

Note: Environmental elements: in compliance with the RoHS requirement.



