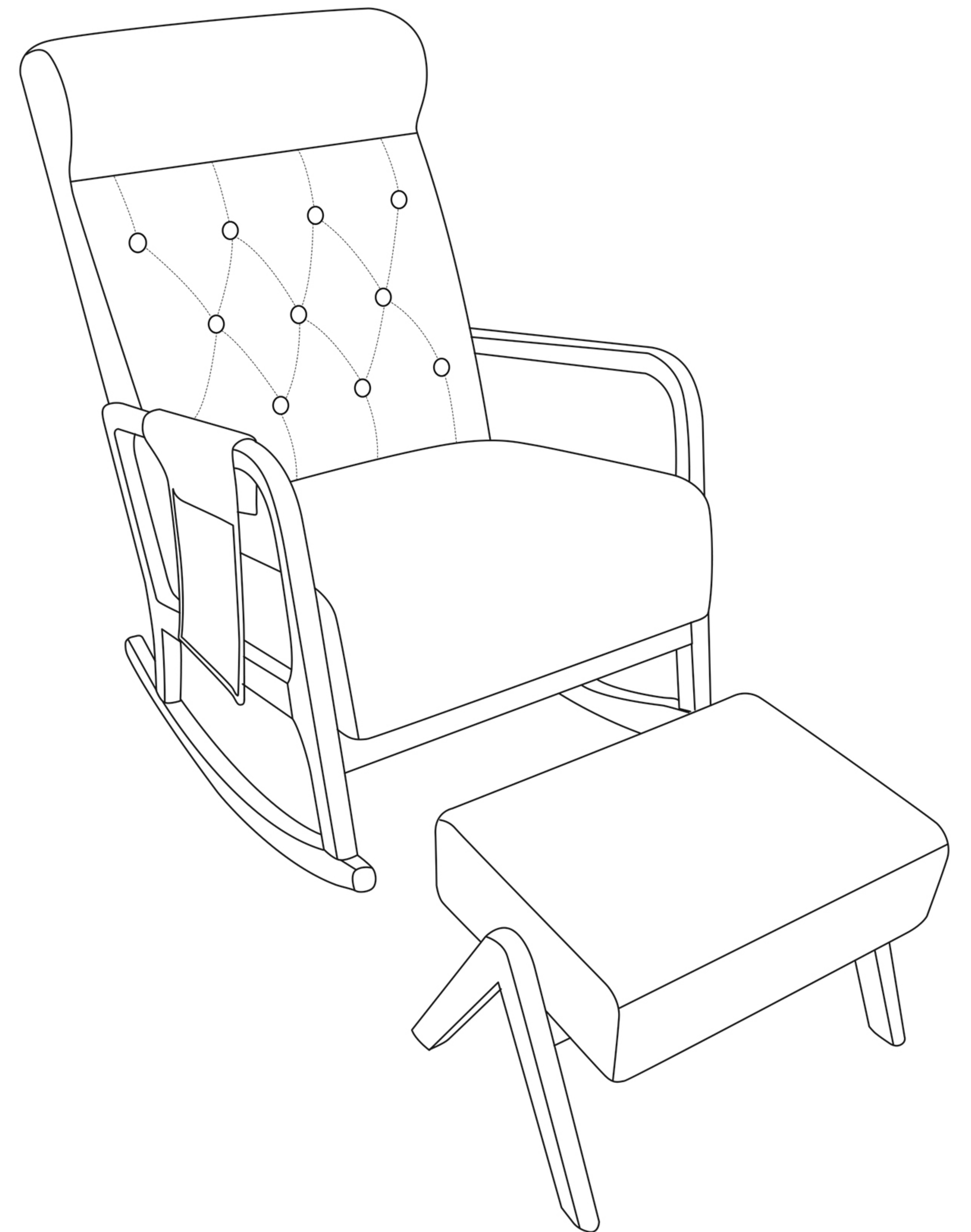


ASSEMBLY INSTRUCTIONS



ATTENTION

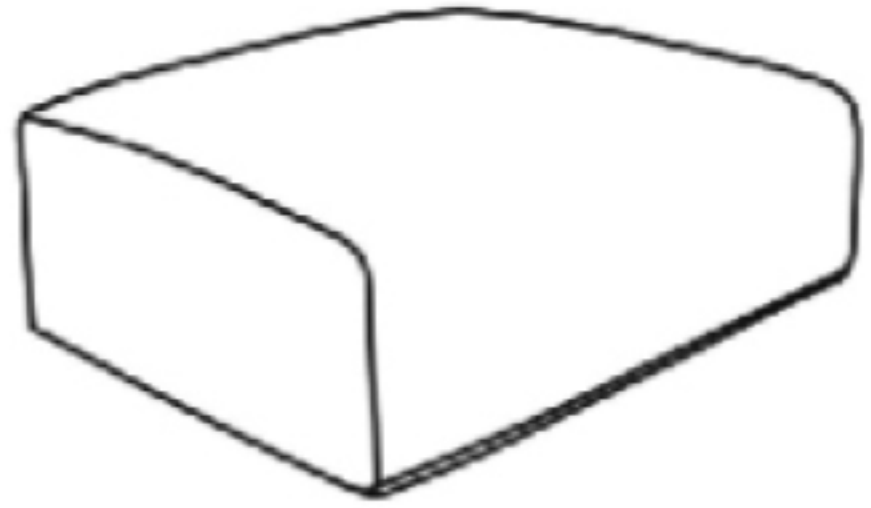
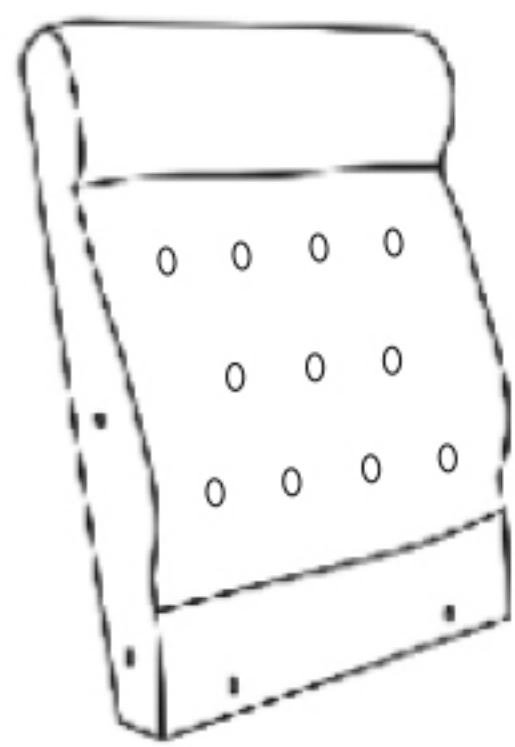




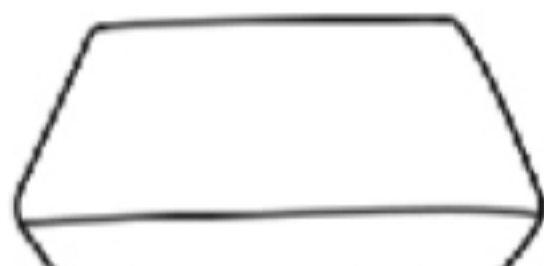
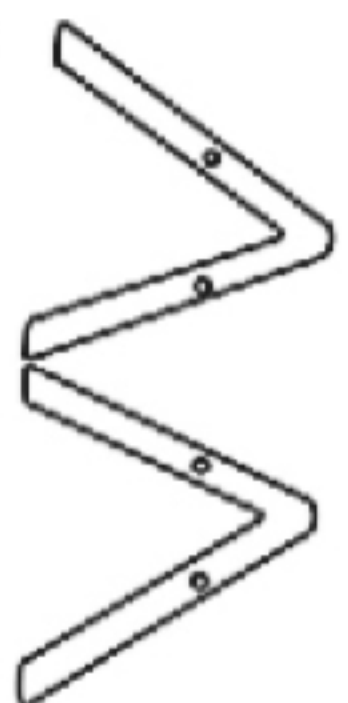

Thanks for choosing our product.

Note: Kindly note that the ottoman is at the bottom of the cushion


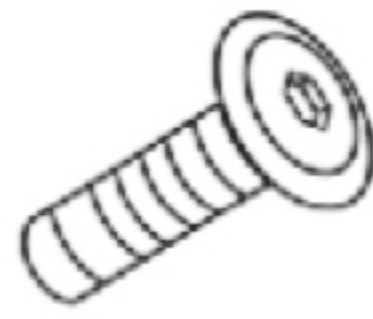

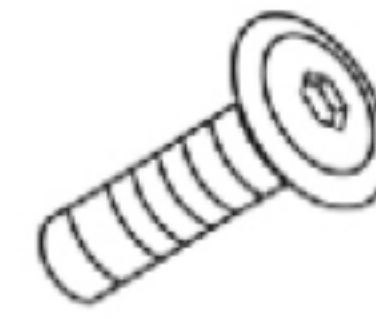
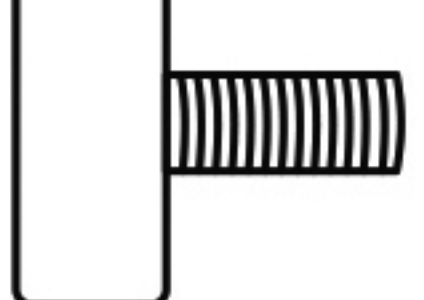


- 1. Please check the manual carefully and make sure you have received all the parts.**
- 2. If there is any missing, please let us know the letter of the parts you need.**
- 3. Please feel free to send clear photos to us if there is any damage, we will offer you a best solution after check the photos.**
- 4. There will be 1 box in total for this whole product.**

Assembly Instruction

Parts List

A 	B 	C 	D 
1 pc	1 pc	1 pc	1 pc
E 	F 	G 	H 
1 pc	1 pc	1 pc	2 pc
			I 
			2 pc

Hardware List

#1 	#2 	#3 	#4 	#5 	#6 	#7 
2 pcs	M8*60mm 10 pcs	M5mm 1 pc	M6*30mm 6 pcs	4 pcs	M4mm 1 pcs	12 pcs

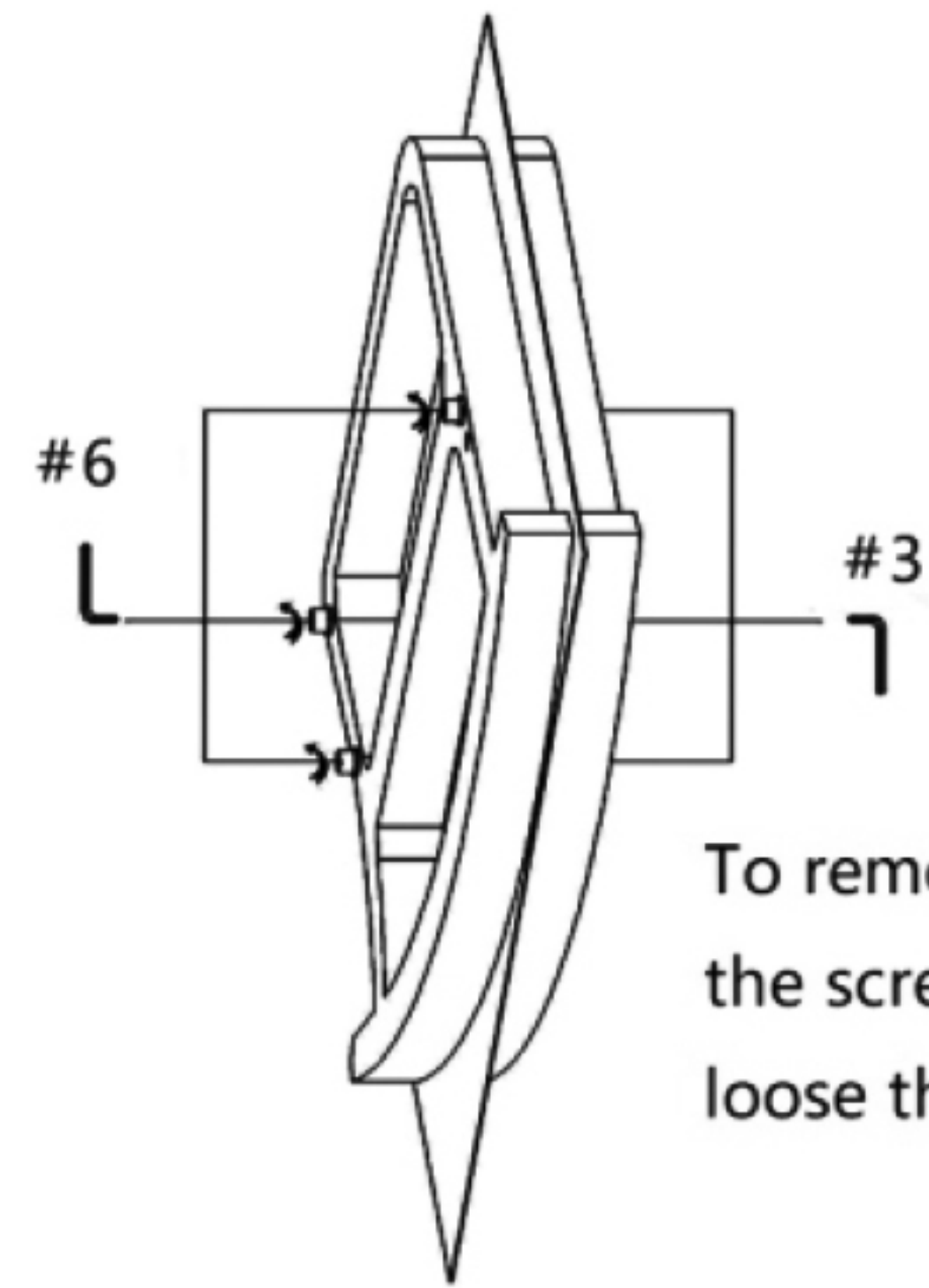
Please check the manual carefully and make sure you have received all the parts. If there is any missing, please let us know the letters of the parts you need. If there is any damage, please send clear photos to us, we will offer you the best solution soon!

Assembly Instruction

Step 1

#6 x 1

#3 x 1



To remove the armrest from the board: fix the screws with wrench on one side while loose the screws on the other side.

Step 2

A x 1



Take out the ottoman from the bottom of cushion

Step 3

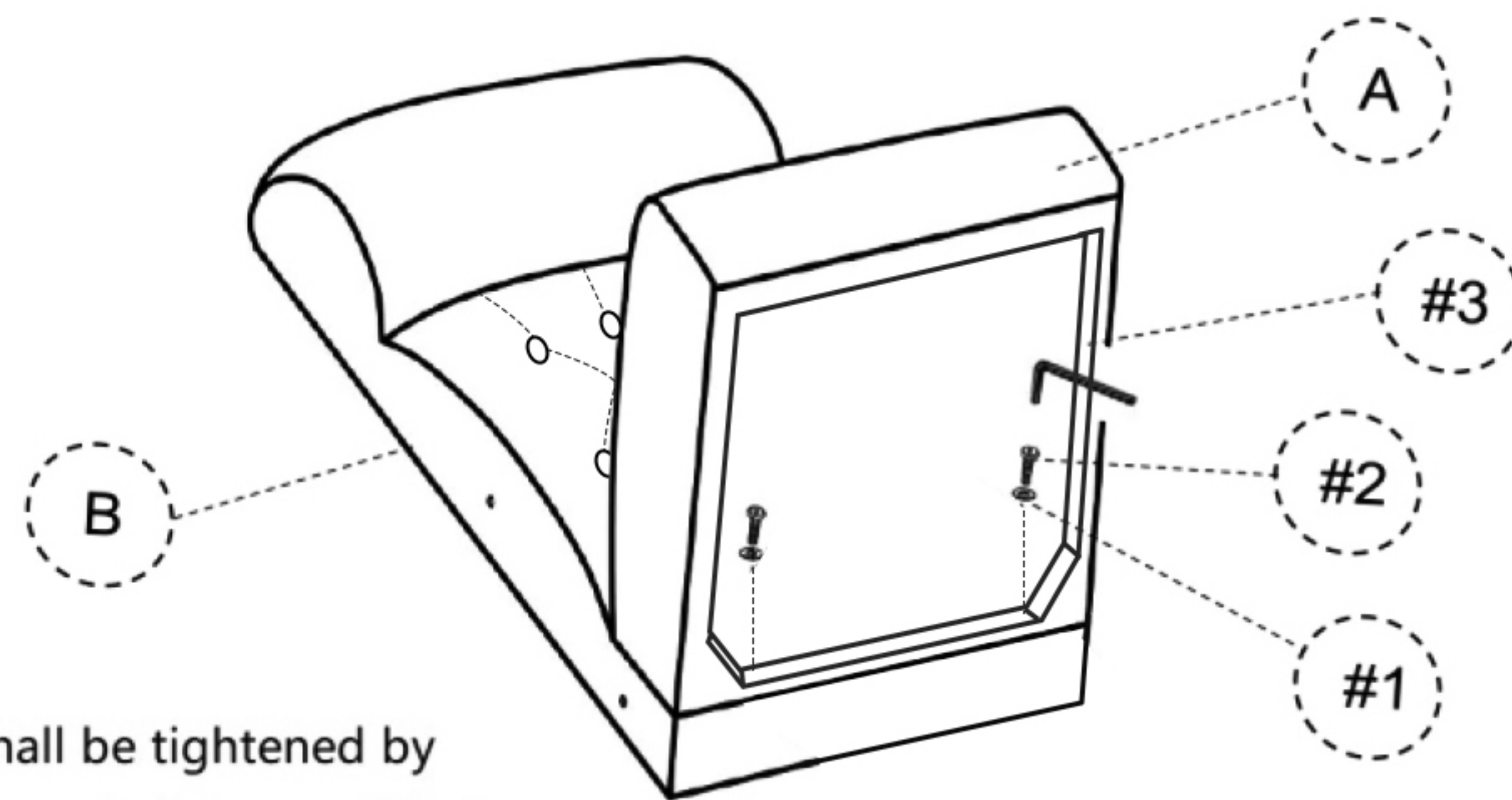
A x 1

B x 1

#1 x 2

#2 x 2

#3 x 1



WARNING: All screws shall be tightened by 80% first and then tightened after assembly !

2

Assembly Instruction

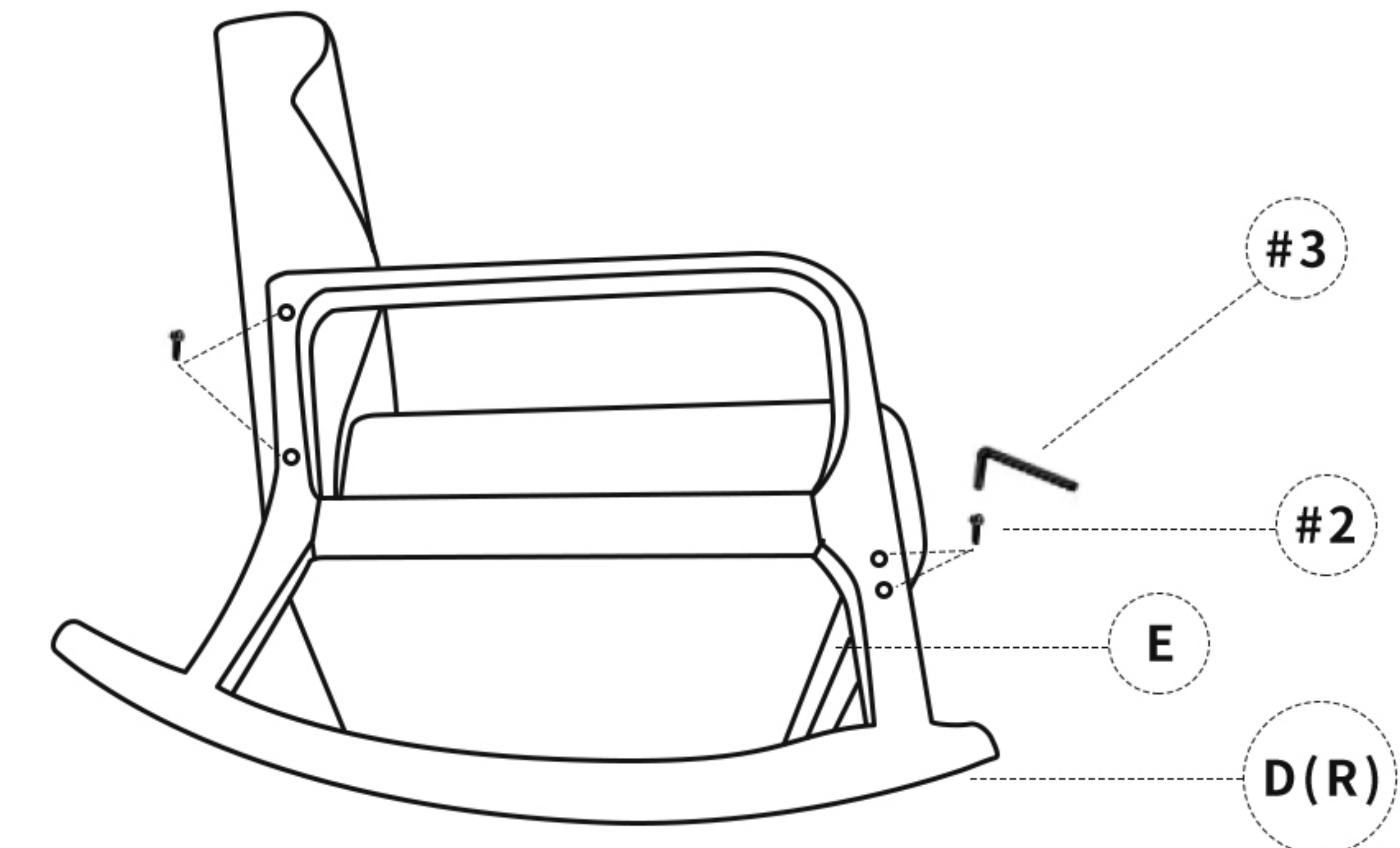
Step 4

D x 1

E x 1

#2 x 4

#3 x 1

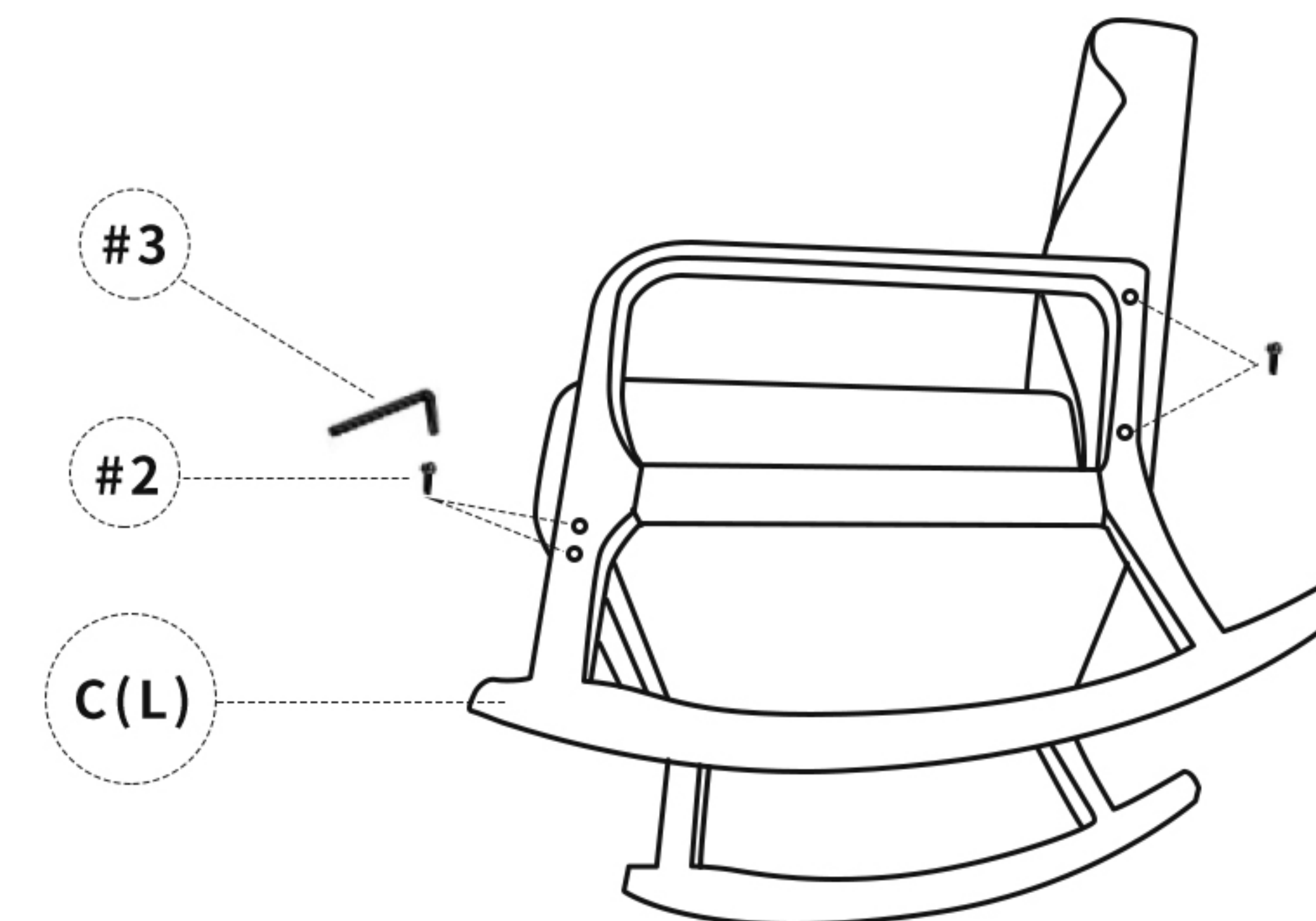


Step 5

C x 1

#2 x 4

#3 x 1



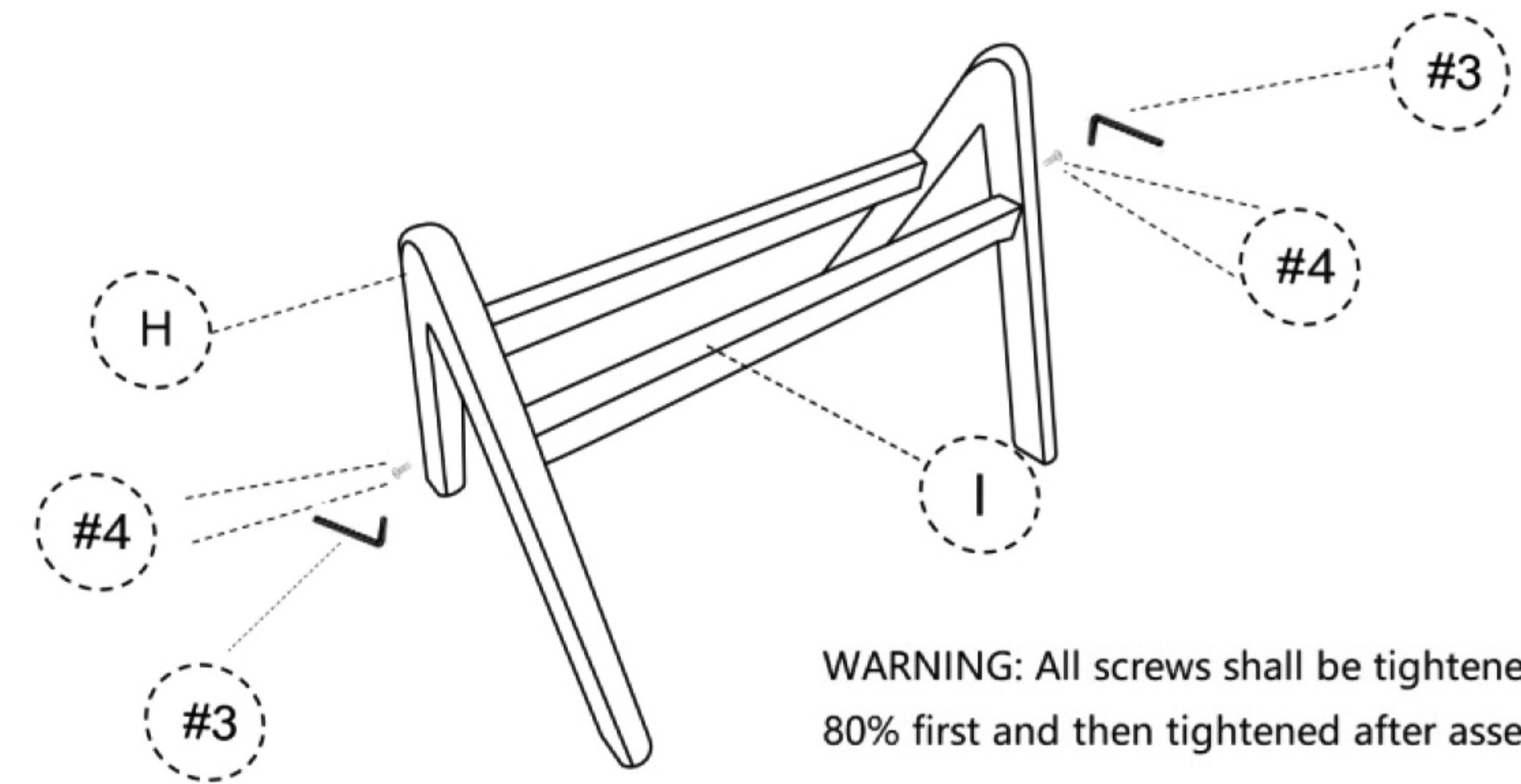
Step 6

H x 2

I x 2

#4 x 4

#3 x 1



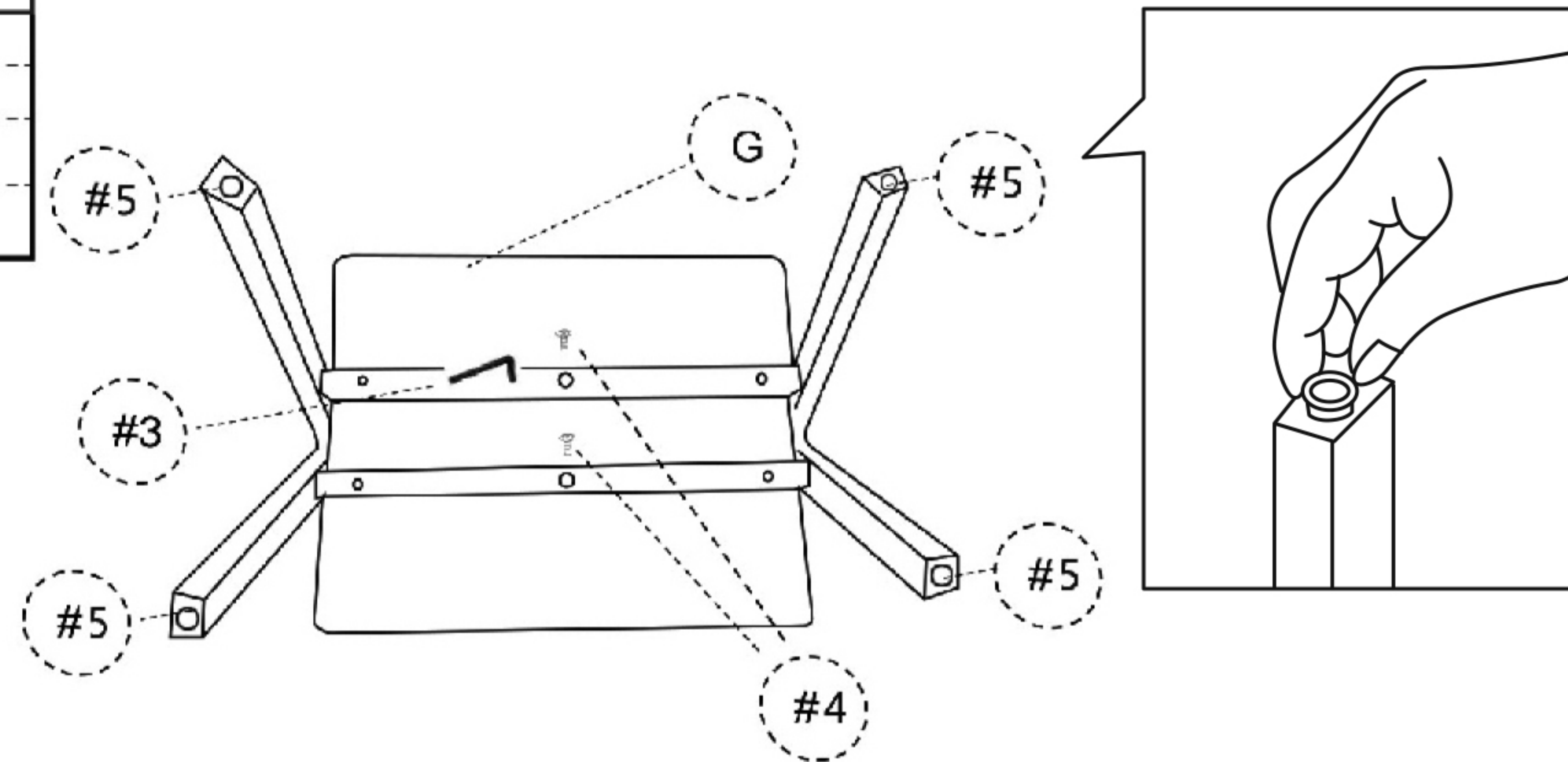
WARNING: All screws shall be tightened by 80% first and then tightened after assembly !

3

Assembly Instruction

Step 7

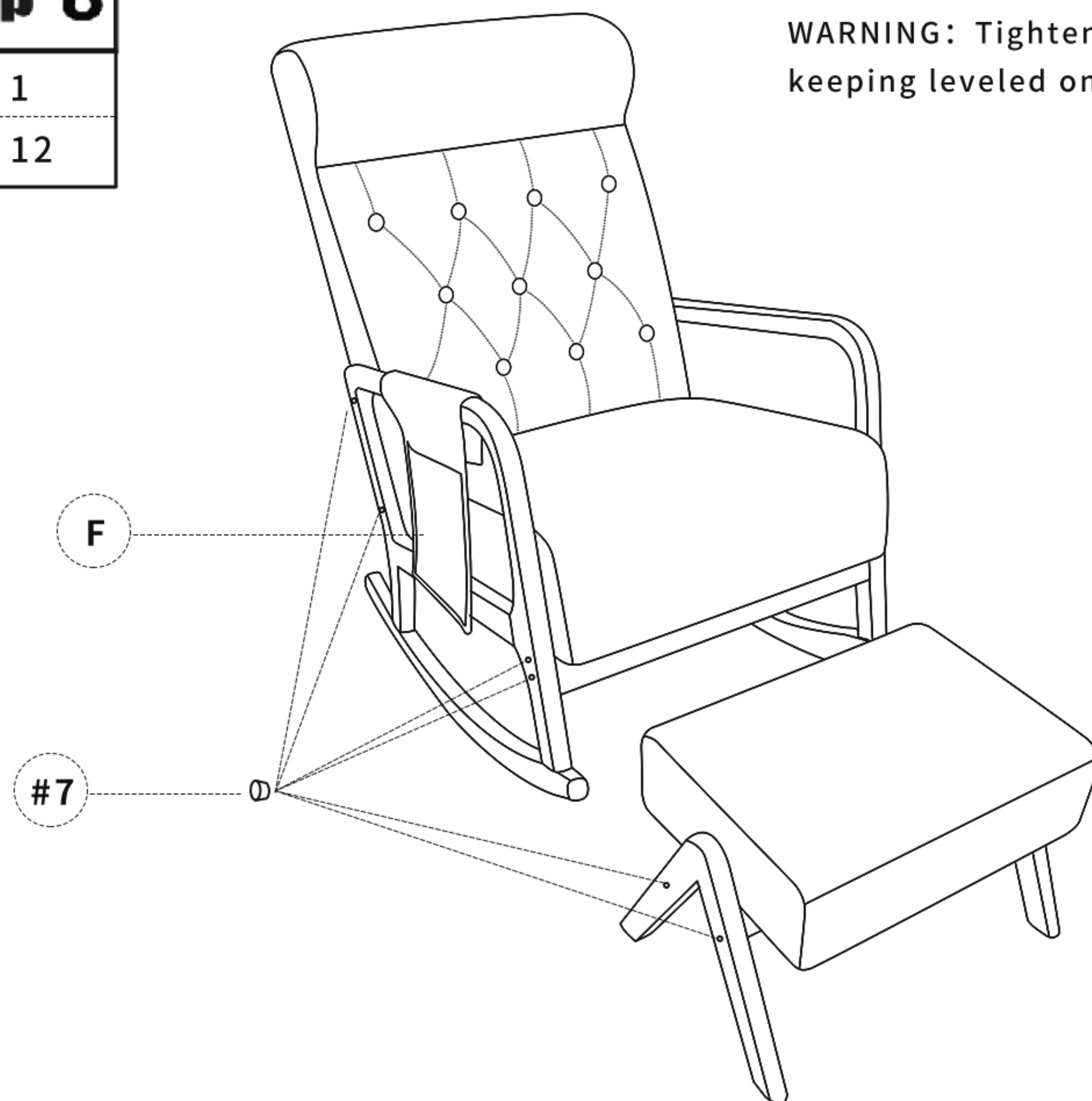
- Gx1
- #4x2
- #3x1
- #5x4



Step 8

- F x 1
- #7 x 12

WARNING: Tighten all the screws by 100% after keeping leveled on the ground!



Assembly Instruction

Step 9

