

EN

DE

RU

# Mountfield



## **IBIZA**

### **Circular and oval swimming pools INSTALLATION GUIDE**

### **Montageanleitung für runde und ovale Swimmingpools IBIZA**

### **Инструкция по монтажу для круглых и овальных бассейнов IBIZA**

# IBIZA

## Circular and oval swimming pools

# INSTALLATION GUIDE



### **Safety Information**

**Please read the complete Installation Guide including Safety Guidelines first and follow them during swimming pool construction and use.**

**Use appropriate safety devices to prevent uncontrolled access into the pool, specifically by children under 5 years of age, thereby preventing their drowning or severe injury.**

**Non-swimmers and children must be under constant supervision by an experienced person. Remember that safety guidelines and safety devices cannot substitute personal supervision by a skilled person, they can only support it.**

**Read more detailed information starting on page 30.**

## Contents

1	Important comments.....	3
1.1	Swimming pool earthing.....	3
2	Introductory information .....	3
2.1	Swimming pool parts .....	3
2.2	Swimming pool siting .....	4
2.3	Filter location.....	4
2.4	Spatial arrangement options .....	4
2.5	Bed preparation.....	5
2.6	Pool liner.....	5
3	Construction preparation .....	6
3.1	Pit for a circular swimming pool.....	6
3.2	Base slab.....	6
3.3	Pit for an oval swimming pool .....	7
4	Swimming pool installation .....	10
4.1	Circular swimming pool installation .....	10
4.2	installation of an oval swimming pool.....	11
4.3	Steel wall installation.....	12
4.4	Processing of the bottom wall edge trims and joining the wall ends with a sliding-in section .....	13
4.5	Preparation of openings for the accessories.....	15
4.6	Laying protective geotextile padding .....	19
4.7	Hanging the pool liner and installing the top wall edge trim .....	20
4.8	Installing the parts to be built in .....	24
4.9	Complete the technology installation procedures .....	26
5	Dry concrete around the swimming pool.....	27
6	Miscellaneous.....	28
6.1	Water level and skimmer flap .....	28
6.2	Entering the swimming pool.....	28
6.3	Advice for using the swimming pool .....	29
6.4	Liner repair .....	29
6.5	Maintenance.....	29
6.6	Preparing for the winter season.....	30
7	Safety rules .....	30

# 1 Important comments



**Read all sections of this document carefully and strictly follow all instructions.**

Illustrations and pictures in this document are partly symbolic and typical presentations to give the reader a general idea of the topics described.

Inspect the package(s) delivered before starting the assembly to make sure that all parts of the swimming pool have been provided. Inspect all parts to detect any defect. Mountfield shall not be liable for any damage arising during the shipment if claimed after assembling the parts. Mountfield reserves the right to make changes resulting from technological progress.



**Make sure that the steel wall will come in contact with suitable building materials only.**

For instance, if you intend to use silicone, make sure that this material contains no acids that may damage the steel wall's protective coating and potentially result in corrosion. It may be necessary to determine if the materials planned are appropriate with respect to the intended use.

## 1.1 Swimming pool earthing

The swimming pool wall and all large-area metallic parts must be bonded in compliance with applicable local regulations. This is a job for a qualified electrician.

For this, the steel wall may be drilled through in the lower part (and then treated with a zinc spray or a plastic paint) and the earthing cable connected to a metallic bolt (Fig. 1). The cable is routed from the bolt to an earthing pole.



**Warning: All electrician's work must be done by a qualified company and in compliance with applicable electrical standards (such as DIN VDE 0100 Part 702).**

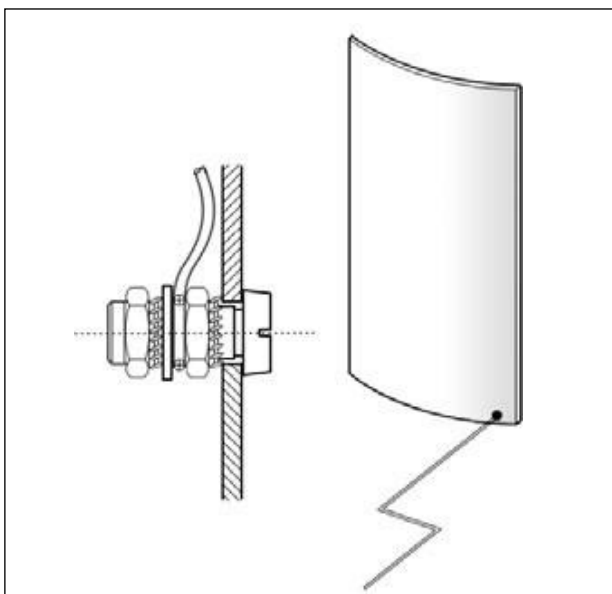


Fig. 1

# 2 Introductory information

## 2.1 Swimming pool parts



Fig. 2



The picture above does not show all parts delivered. The design and colour of the parts delivered may differ from what is shown.



The illustrations and pictures reproduced here may differ from the product actually delivered. They are only meant to help the reader understand the text herein.

The manufacturer reserves the right to make changes without prior notice.

## 2.2 Swimming pool siting

The swimming pool should stand on a sunny place if available, not very far from the house. The skimmer (collecting foreign matter from the pool water surface) should be located downwind, so any foreign matter floating on the surface is pushed by wind to the skimmer. What is more important, however, is that the skimmer should be installed on the side that is closer to the filter.

## 2.3 Filter location

Install the filter system as close to the swimming pool as possible. Preferably the suction piping (skimmer piping) should be shorter than the return piping (nozzle piping).

The filter system can be installed in a shaft, in the house, in a garden house, etc. If installation in the house and in a shaft is selected, the floor must be provided with a drain (sink) in case of water leak. Water from the back flushing must also be drained, roughly 200 litres every 1-2 weeks. This can be done by means of fixed piping or a hose ending in a drain.

If the filter system lies higher than the water level, a return valve must be installed on the suction side, that is, on the skimmer piping. This must be installed 1–1.5 m far from the sand filter system and must be accessible at all times.

The planned water heating method is also an important factor when selecting the place for the filter system. If the swimming pool is to be heated by a dedicated solar system, the filter system should be installed as close to the solar absorber as feasible. Even if an air-water heat pump is planned for outdoor installation, the filter system should preferably also be installed in the garden. However, if the heat exchanger is connected to the central heating system, installation of the filter in the house is virtually inevitable.

## 2.4 Spatial arrangement options

### 2.4.1 Spatial arrangement options – circular swimming pool

Three different options exist for the installation of a circular swimming pool irrespective of its depth and size:

#### Inground swimming pool

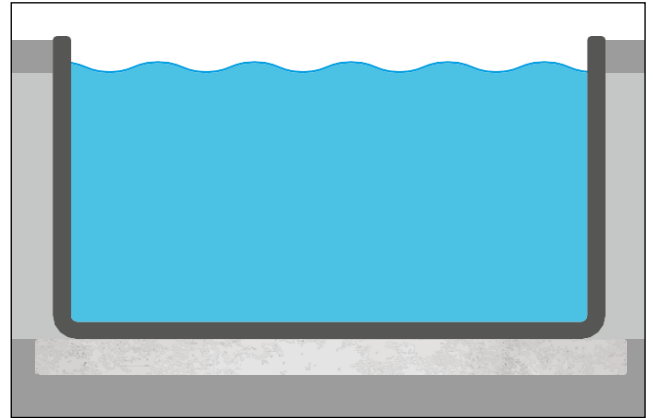


Fig. 3

#### Semi-inground swimming pool

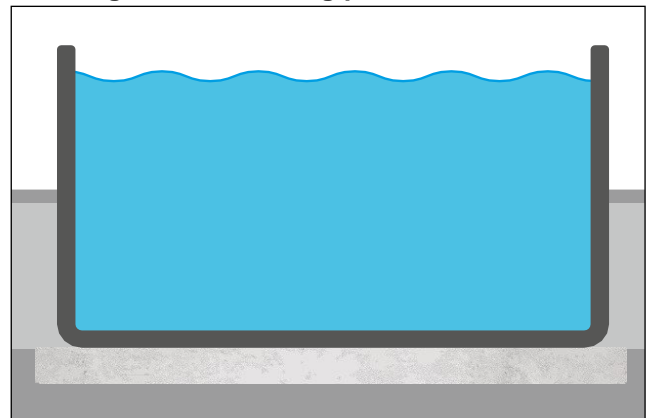


Fig. 4

#### Above-ground freestanding swimming pool

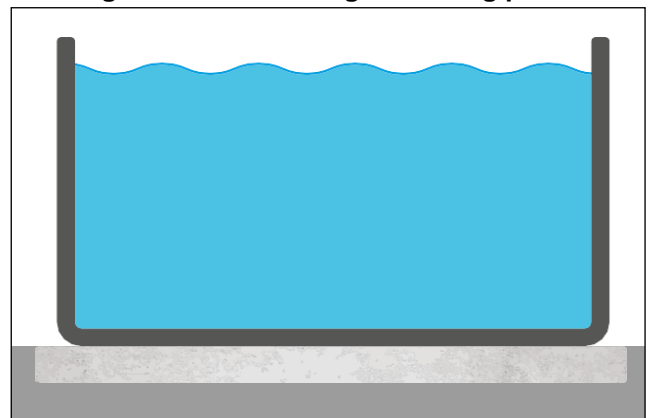


Fig. 5

Swimming pools 150 cm deep must always be at least 60 cm sunk in the ground.

For such swimming pools and for inground and semi-inground swimming pools the area around the inground part must always be backfilled with lean concrete.

### 2.4.2 Spatial arrangement options – oval swimming pool

Oval swimming pools cannot be installed arbitrarily and their inground part must encompass least 2/3 of their total height. The installation site must be provided with a concrete base slab and with retaining walls on the long sides, which must be joined with the base slab by means of steel reinforcement.

Once the construction is complete, the area around the front sides to the oval swimming pool must be backfilled with lean concrete or bricked in.

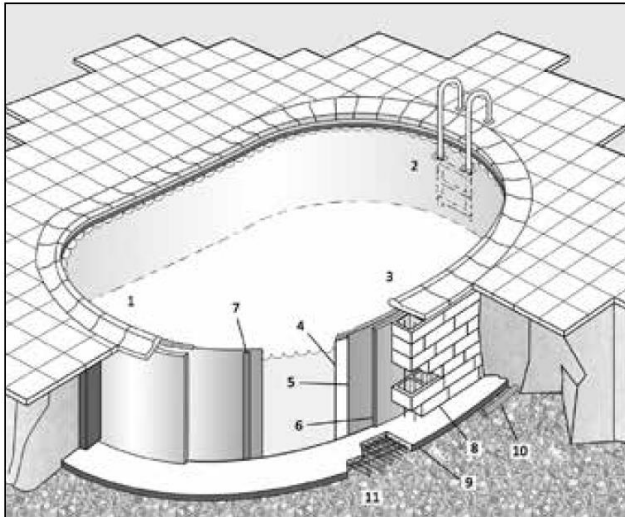


Fig. 6

- 1) The skimmer/nozzle side
- 2) Pool stairs
- 3) Pool lights shedding light away from the installation site (if any)
- 4) Pool liner
- 5) Steel wall
- 6) Construction sheets + polystyrene
- 7) Steel wall joining section
- 8) Retaining wall (reinforced)
- 9) Reinforced concrete base slab
- 10) Water draining
- 11) Gravel (subbase)

## 2.5 Bed preparation

The swimming pool ground must meet appropriate static strength requirements and must be solid and compact. Any inclined surfaces must be eliminated.

Never create any backfill on the slopes! Any slopes must be supported by retaining walls. Never support a slope by the swimming pool wall!

The ground for the swimming pool must be natural, it should not consist of infilling. Any filled-in earth should be compacted so that the swimming pool should not sink or else more efforts must be made when constructing the foundations. If in doubt, contact a specialized civil engineer or a structural engineer.



**Important when installing the pool into earth: The swimming pool must not get into a groundwater area! If groundwater is encountered during the excavation work, a civil engineer-specialist must be contacted and an acceptable solution must be found!**

A reinforced concrete base slab must be used. A gravel layer is normally used as the subbase. Water draining piping is generally recommended for inground swimming pools.

## 2.6 Pool liner

The pool liner is made of a thermoplastic material. So, the swimming pool must be mounted at outdoor temperatures between +15°C and +25°C. Do not install the liner under strong sunlight, it is better to wait till the evening.

Because of its material properties, if exposed to low temperatures, the liner may be about 50 cm shorter than as required for the swimming pool.



**Prevent the swimming pool liner from getting in contact with any material that is incompatible with PVC. To this end the use of protective geotextile padding is recommended.**

### 3 Construction preparation

#### 3.1 Pit for a circular swimming pool



When digging out the ditch for a (nearly) inground swimming pool, a working area 50 cm wide or wider must be left for later installation of the swimming pool structure parts and their connection to the piping.

If the inground height does not exceed one-half of the total pool height and the piping should not be buried, an area 20–30 cm wide will be sufficient.

Remember that the lean concrete backfilling of the area immediately after the steel walls must be 15–30 cm thick. More information can be found on page 27.

##### Recommended pit dimensions:

Swimming pool	Pit dimensions
Width x length [m]	Width x length [m]
3.60 diam.	4.60 diam.
4.00 diam.	5.00 diam.
4.60 diam.	5.60 diam.
5.00 diam.	6.00 diam.
6.00 diam.	7.00 diam.

For the sake of simplicity the pit has normally a rectangular shape, although it can, of course, also be circular or oval as appropriate, with the required dimension margins.

The dug-out depth depends on the base slab and gravel layer thickness as well as on the depth and height of the swimming pool.

##### The rule of thumb is:

$$\begin{aligned}
 & \text{Gravel layer thickness} \\
 & + \text{concrete slab thickness} \\
 & + \text{swimming pool (inground) depth} \\
 & = \text{digging depth}
 \end{aligned}$$

The base slab is typically 15 cm thick, the gravel layer is typically about 5 cm thick (the precise thickness will be determined by the installing company depending on the bedrock).



**Important: If the filter system is not located immediately at the swimming pool and the piping is planned to be buried, then the trenches for the piping must be excavated simultaneously with the pit for the pool.**

The trenches for the piping must be excavated simultaneously with the pool pit. They should be approximately 40–50 cm wide and about 80 cm deep. If the possibility to completely drain the piping before the winter season exists, the pipes can be laid higher, inclined downwards to the (lowest-lying) draining point.

For this we recommend preparing a large (160 mm in diameter or larger) plastic or similar pipe at the appropriate site.

If required, trenches can also be excavated for piping from the filter system to a solar heating system and for power supply cables.

#### 3.2 Base slab

Once the pit is dug out and a water draining system prepared, the concrete base slab (C16/20) reinforced with a Q 188A construction steel mesh is fabricated. The recommended base slab thickness is about 15 cm: the actual thickness (and the gravel layer thickness) should be specified by a specialized civil engineer.



**The base slab should be laid precisely horizontally, with no gradient, and its edges should overreach the swimming pool edges by some 10 cm.**

Once again, the base slab can be rectangular or circular/oval (copying the swimming pool contours).



**Warning: Respect the concrete setting time (typically 28 days). Only a civil engineer-specialist may decide (on his/her own responsibility) that this time can be shortened .**

### 3.3 Pit for an oval swimming pool

#### 3.3.1 Ground plan and size: swimming pool and retaining wall

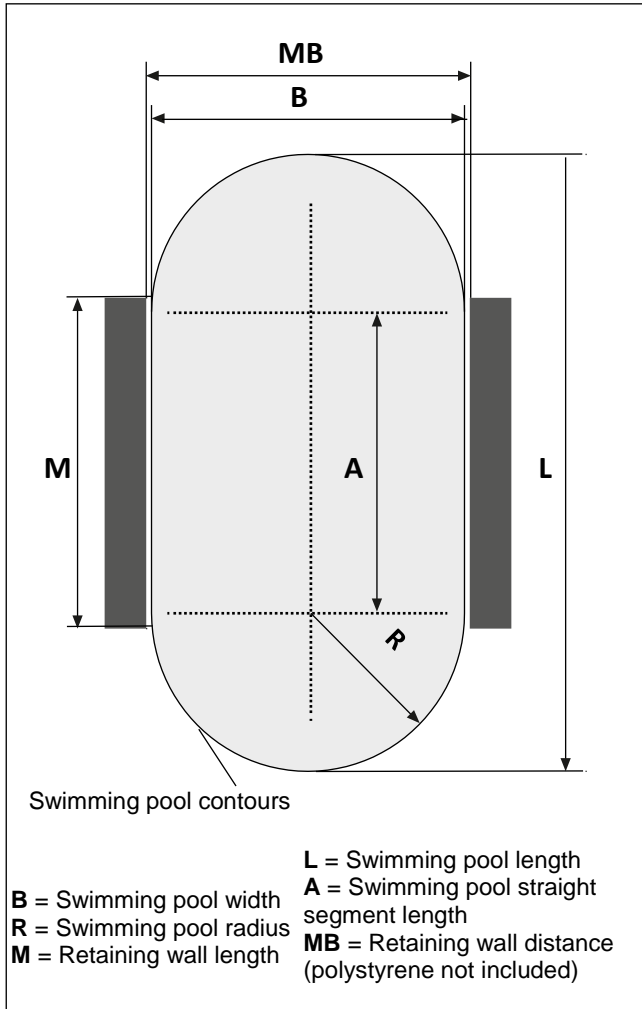


Fig. 7

Swimming pool			Retaining wall	
Width x length [m]	A [m]	R [m]	MB [m]	M [m]
3.20 × 5.25	2.05	1.60	3.24	2.25
3.20 × 6.00	2.80	1.60	3.24	3.00
3.50 × 7.00	3.50	1.75	3.54	3.70
4.16 × 8.00	3.84	2.08	4.20	4.04
4.16 × 10.00	5.84	2.08	4.20	6.04
6.00 × 12.00	6.00	3.00	6.04	6.20

#### 3.3.2 The pit



A margin of a minimum of 50 cm must remain in the rounded swimming pool segment where the skimmer and nozzles are to be mounted, to allow the parts to be built in and interconnected with the piping at a later stage.

Margins of 30 cm are sufficient on the opposite side and on the longitudinal sides.

Remember that the space immediately behind the steel walls (except for the retaining wall segments) must be backfilled with lean concrete at a 15–30 cm thickness of bricked in.

#### Recommended pit dimensions:

Swimming pool	Pit dimensions
Width x length [m]	Width x length [m]
3.20 × 5.25	4.30 × 6.25
3.20 × 6.00	4.30 × 7.00
3.50 × 7.00	4.60 × 8.00
4.16 × 8.00	5.25 × 9.00
4.16 × 10.00	5.25 × 11.00
6.00 × 12.00	7.10 × 13.00

For the sake of simplicity the pit has normally a rectangular shape, although, of course, it can also be circular or oval as appropriate, with the required dimension margins.

The dug-out depth depends on the base slab and gravel layer thickness as well as on the swimming pool depth.

#### The rule of thumb is:

$$\begin{aligned} & \text{Gravel layer thickness} \\ & + \text{concrete slab thickness} \\ & + \text{swimming pool depth} \\ & = \text{digging depth} \end{aligned}$$

The base slab is typically 15 cm thick, the gravel layer is typically about 5 cm thick (the precise thickness will be determined by the installing company depending on the bedrock).

The above-ground swimming pool height must not exceed 1/3 of the total swimming pool height. Typically the swimming pool's top edge is made flush with the ground and then covered with a rim.



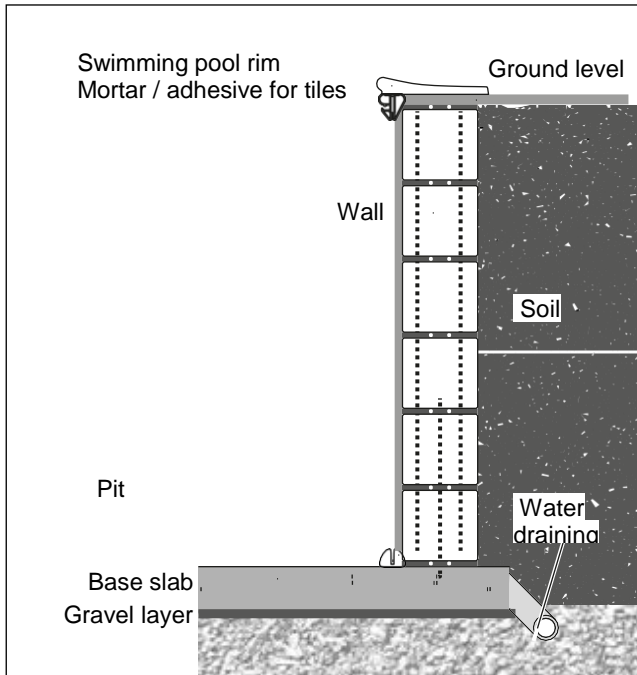


Fig. 8

Once the earth excavating and water draining (after gravel layer laying if necessary) operations have been completed, the concrete base slab (C16/20) with reinforcement (Q188A construction steel mesh) is fabricated. The recommended base slab thickness is about 15 cm: the actual thickness (and the gravel layer thickness) should be determined by a specialized civil engineer.



The base slab should be laid precisely horizontally, with no gradient, and its edges should overreach the swimming pool edges by some 10 cm.

#### Base slab dimensions

Swimming pool	Base slab (minimum)
Width x length [m]	Width x length [m]
3.20 × 5.25	3.90 × 5.50
3.20 × 6.00	3.90 × 6.25
3.50 × 7.00	4.20 × 7.25
4.16 × 8.00	4.86 × 8.25
4.16 × 10.00	4.86 × 10.25
6.00 × 12.00	6.70 × 12.25



**Important: If the filter system is not located immediately at the swimming pool, trenches for the piping must be excavated simultaneously. The trenches should be about 40–50 cm wide and about 100 cm deep. If the option to completely drain the piping before the winter season exists, the pipes can be laid higher, inclined downwards to the (lowest-lying) draining point.**

For this we recommend preparing a large (160 mm in diameter or larger) plastic or similar pipe at the appropriate site.

If required, trenches can also be excavated for piping from the filter system to a solar heating system and for power supply cables.

#### 3.3.2 Base slab

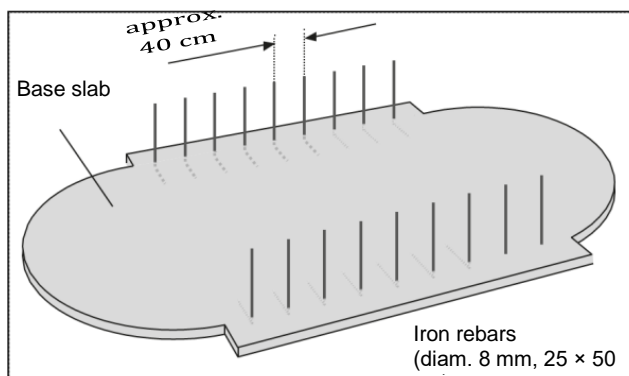


Fig. 9

Once again, the base slab can be rectangular or circular/oval (copying the swimming pool shape).



**Important: Embedding the steel reinforcement immediately into the wet base slab is recommended. The reinforcement consists of 8mm construction steel bars with bends, laid at a spacing of approximately 25 x 50 cm.**

Best take one of the hollow blocks to be used for the retaining wall and imprint the patterns of the later wall into the wet concrete. Put a bent steel rebar centrally into each of the now visible internal chambers of the imprints (Fig. 10).

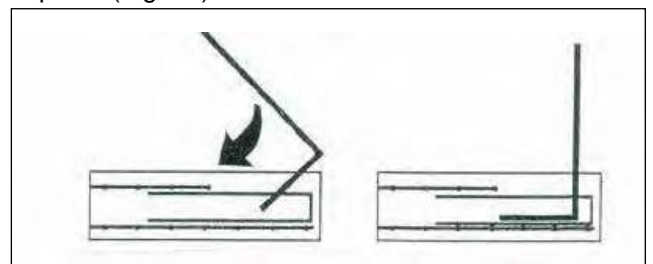


Fig. 10

### 3.3.3 Building the retaining walls

Once the base slab can be walked on, the two side retaining walls should be built. Fill each row of hollow blocks with concrete (C16/20) and reinforce both vertically and horizontally with construction steel rebars (8 mm diam.). While bricklaying, avoid shifting the joints or disturbing the verticals and straight lines or the precise parallel orientation of the two retaining walls.

The retaining wall height depends on the swimming pool height – see the sketches.

For a safe fastening of the steel wall to the retaining wall, best make the top 1 to 2 rows by using full blocks, such as bricks, because (as experience shows) such blocks will hold the installation screws better than hollow blocks do. If fastening into filled hollow blocks is planned, best use very long screws that will reach the concrete core.



**Warning: Consult a civil engineer-specialist. Mountfield will take no responsibility for installation errors or damage resulting from a poorly constructed retaining wall!**

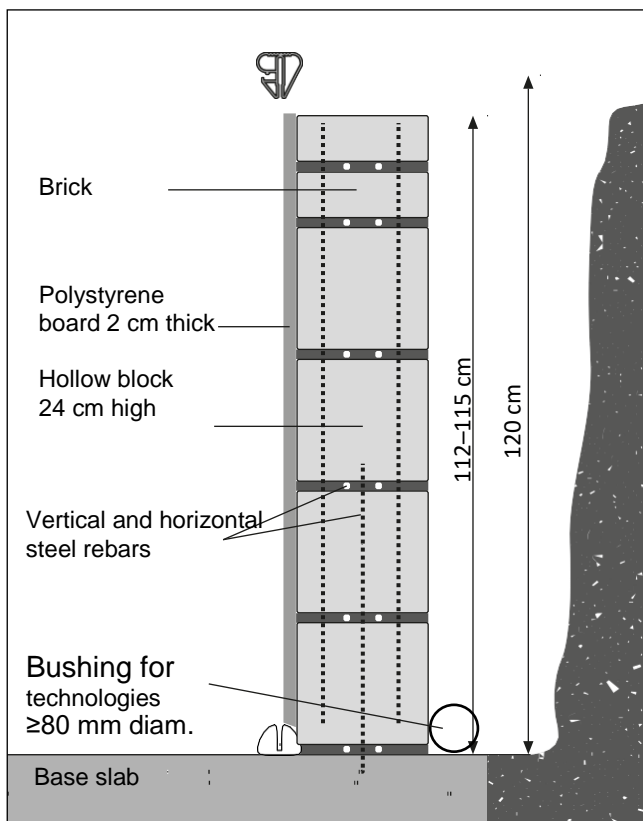


Fig. 11

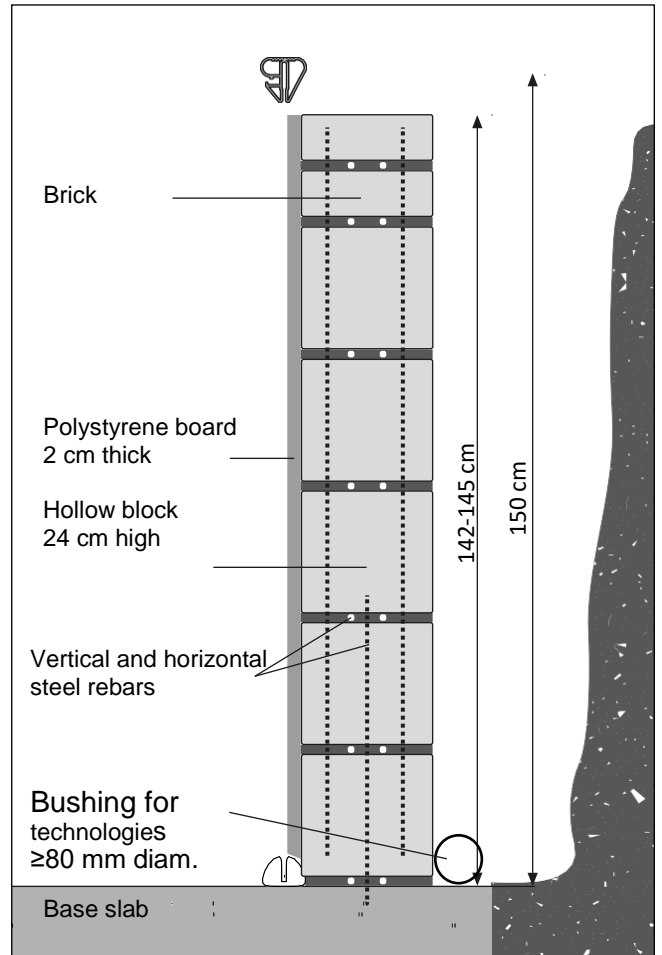


Fig. 12



**Warning: Respect the concrete setting time (typically 28 days). Only a civil engineer-specialist may decide (on his/her own responsibility) that this time can be shortened .**

The wall height (measured from the top edge of the base slab) must NOT exceed 115 cm / 145 cm for swimming pool height 120 cm / 150 cm, respectively, or the top edge trim cannot be installed properly.

Fix the polystyrene boards 20 mm thick to the internal side of the retaining walls by using an adhesive for polystyrene. A 25 mm offset above the base slab must be left free for the bottom edge trims (Fig. 13).

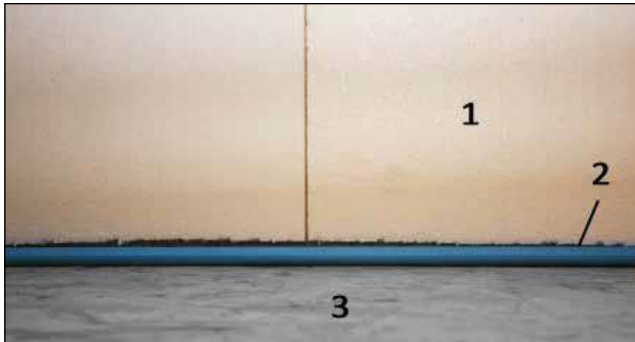


Fig. 13

- 1) Polystyrene board
- 2) Bottom edge trim
- 3) Base slab



**Important:** If swimming pool lights are planned to be installed, openings for this installation must be made/prepared during the retaining wall building process. Follow manufacturer's instructions.

## 4 Swimming pool installation

### 4.1 Circular swimming pool installation

Depending on the swimming pool size, its installation is a job for 3–4 persons and should be made in windless conditions. The use of gloves during the steel wall construction is recommended.

First, draw the swimming pool contour on the ground. This will immensely facilitate the swimming pool siting and installation procedures. For this, fasten a string to a nail driven into the centre of the future pool and measure the radius (= one-half of the diameter). Use a piece of chalk or a bricklayer's pencil to mark the radius measured with the string – see Figs. 14 and 15: The bottom and top wall edge trims are provided. You will find them inside the coiled steel wall.



Fig. 14



Fig. 15

#### 4.1.1 Installation of the bottom wall edge trims

Combine the bottom edge trim segments (approx. 20 mm wide) into one unit by means of the joining tubes and put the closed swimming pool contours on the ground. Proceed by following the ground plan.

Check precisely the dimensions and symmetry.



**Professional hint** for the installation of the bottom edge trims (and later also the top edge trims): Combination of the segments into one unit will be much easier if the pins are greased.

For this, insert a pin into one segment, grease the still protruding side (see Fig. 16) and combine the edge trims (Fig. 17).



Professional hint for shortening the bottom edge trims: First combine all the edge trims into one and align as appropriate according to the ground plan. Any overhanging ends should be shortened only when building the steel wall because only then the differences in the dimensions are apparent and can be trimmed as appropriate.

The precise procedure is shown in Figs. 28-30 on page 13.



Fig. 16



Fig. 17



Fig. 18

## 4.2 installation of an oval swimming pool

First, draw the swimming pool contour on the ground. The semi-circles of the rounding can be best marked by means of a string fixed with the nail in the centre of the future pool. Mark the lines with a bricklayer's pencil or chalk. The swimming pool dimensions, including the radius, are shown in Fig. 7 on page 7.

### 4.2.1 Installation of the bottom edge trims

First slide the straight bottom edge trim segments (width approx. 20 mm) into one another. Lay the straight parts of the bottom wall edge trim directly in front of the brick wall, into the space in the polystyrene, and centre the edge trims against the brick wall length. The wall is very slightly longer.



Professional hint for laying the straight edge trims symmetrically: Measure diagonally the end points of the edge trims. The dimensions will be identical if the edge trims have been laid symmetrically. See dimension "a" in Fig. 19.

Join the bent bottom edge trim pieces and use them to fill the rounded segments on the front sides. Proceed by following the ground plan. Check precisely the dimensions and symmetry.



Professional hint for shortening the bottom wall edge trims: First combine all the edge trims into one and align as appropriate according to the ground plan. Any overhanging ends should be shortened only when building the steel wall because only then the differences in the dimensions are apparent and can be trimmed as appropriate. See section 4.4.

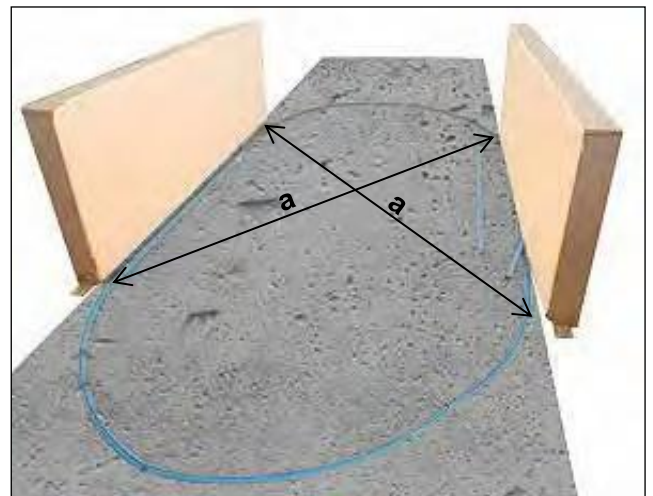


Fig. 19

### 4.3 Steel wall installation

If you want to be able to get into the swimming pool, you will need swimming pool steps/stairs or a ladder.

Later, when installing the liner, be cautious for the construction ladder not to damage the liner.

Furthermore, bring the coiled steel wall into the swimming pool before installing it.

With the assistance of your helpers move the steel wall roughly to the point where the skimmer (surface impurity collector) should be installed and put it onto thick boards and cartons to facilitate its uncoiling (see Fig. 20). When uncoiling the steel wall, do NOT drag it over the concrete foundation, it might get damaged.



Fig. 20



The steel wall is coiled inwards in the factory so the outer side is visible on the coiled steel wall.

So, uncoil the steel wall in the direction in which it has been coiled.

In order to prevent injury, wear gloves when uncoiling and mounting the steel wall and use straps to control the uncoiling process. (see Fig. 21).



Fig. 21

The recess for the skimmer is normally located at the beginning of the uncoiling steel wall (approx. 1–2 m from the front end). If the steel wall is packed in more than one package, it is shown on the boxes which steel wall parts (with which recesses for the structure parts) are included.



Fig. 22



Fig. 23

Uncoil the steel wall and slide it into the edge trims (see Figs. 22–23). The skimmer recess must be positioned as required (as close to the filter system as possible).

The return nozzle is located left of the skimmer (viewed from outside).

If a joining section is present on one side of the steel wall, it must be slid out.

Where large swimming pools are concerned, the steel wall is divided into 2 parts and the joining procedure using the sliding-in section is performed twice.



Important hint: Some segments of the top edge trim may be put on for the steel wall to provisionally keep its shape (see Fig. 24).



Fig. 24

The steel wall of an oval swimming pool may be provisionally fixed to the retaining walls by using screw clamps.



Fig. 25



Fig. 26

Always see to it that the steel wall should stand firmly in the bottom edge trim.

#### 4.4 Processing of the bottom wall edge trims and joining the wall ends with a sliding-in section

The gap between the two steel wall ends should be about 5 mm to enable the sliding-in section to join the steel wall ends together. This must be taken into account when shortening the bottom edge trim.



Fig. 27

#### Shortening the bottom wall edge trim

Uncoil the steel wall and measure any overhang of the bottom edge trim. Now draw the steel wall by some 50 cm out of the bottom edge trims and shorten the bottom edge trim appropriately (remember that a 5mm gap should be left between the steel wall ends for the sliding-in section – see above).



Important hint: Always shorten the wall edge trim in the arched segment. If it is shortened more than 5 cm, then shortening 2 edge trims is recommended for the sake of arch symmetry – each arch by one-half of the total overhang.

Now put the whole steel wall again on and slide the sliding-in section over (see Figs. 28–30).



Fig. 28



Fig. 29

Depending on the swimming pool type the sliding-on section may have a side bevelled. If this is the case, put the sliding-in section with the bevelled side directed inside and upwards. If none of the sides is bevelled, there is no difference between the top/bottom sides.



Fig. 30

Facilitate the section installation by moving it slightly up and down periodically. The use of a rubber hammer can also be convenient.



Fig. 31

However, if the section is put on incorrectly and/or driven down with too much force, the steel wall may get damaged (and the validity of the warranty may be limited) and the swimming pool stability may be compromised.



Fig. 32



Fig. 33

Covering the internal sliding-in section surface with an adhesive tape is recommended in order to protect the swimming pool liner from damage.

Additional information regarding oval swimming pools: **Steel wall attachment**

It is assumed in this explanation that the retaining wall height is as described on page 9.

In the area of the retaining walls the steel wall must be fastened to the retaining wall edge with screws (at a height of 110 cm or 140 cm from the ground for a swimming pool 120 cm or 150 cm high, respectively). The fastening must be in a horizontal line. Use the screws, wall plugs and try squares provided for this operation (see Fig. 34).



Fig. 34

Drill the holes in the steel wall. Grind the hole edges smooth and coat with an anticorrosion paint.



Fig. 35



Fig. 36



Fig. 37

In this manner the steel wall is fastened directly onto the retaining wall.

In order to protect the swimming pool liner, cover the screw heads with an adhesive tape that will not damage the PVC (with a packaging tape for instance).



Fig. 38



**Caution:** Make sure that the swimming pool stands perfectly horizontally. Manufacturer's warranty becomes void and null if the height difference is larger than 2 cm. If this is the case, identify the cause and eliminate the problem, e.g. by improving the base.

## 4.5 Preparation of openings for the accessories

**Important:** Follow also the accessory manufacturers' guidelines if attached to the products. If in doubt, contact your seller.

### 4.5.1 Skimmer (to collect any foreign matter from the water surface)



Fig. 39

- 1) Skimmer body
- 2) Vacuum plate
- 3) Teflon tape
- 4) Hose adaptor
- 5) Double gasket
- 6) Nozzle

Openings in the swimming pool steel wall for the skimmer may be present from the factory. If not, they must be cut out/drilled.

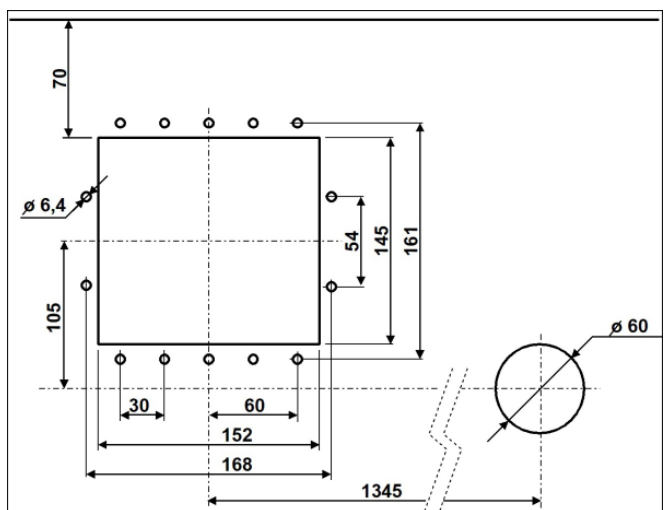


Fig. 40



The sketch above shows the dimensions of a standard skimmer for attachment by using swimming pool hoses 38 mm in diameter. If a different skimmer is to be used, an appropriate template / correct dimensions and spacing must be used.

We recommend that the cutting edges be ground smooth and treated with an anticorrosion product or plastic paint prior to the installation.



Fig. 41

If the piping is to be mounted now, installation of the skimmer at this stage is recommended. For this, put the double gasket over the steel wall (see Fig. 43), hold the skimmer at the opening from the outside and fix it from the inside with rounded head safety screws (see Fig. 45). If 2 individual gaskets have been provided in place of the conventional skimmer double gasket, they must be put on in order: skimmer body – gasket – steel wall – gasket (– pool liner – skimmer flange).

This also applies to the return nozzle gasket(s) (for more information please read page 24, "Internal parts installation").

In certain circumstances it may be necessary to prepare additional holes in the steel wall (and coat them with an anticorrosion paint) because not always are the holes for the screws ready.

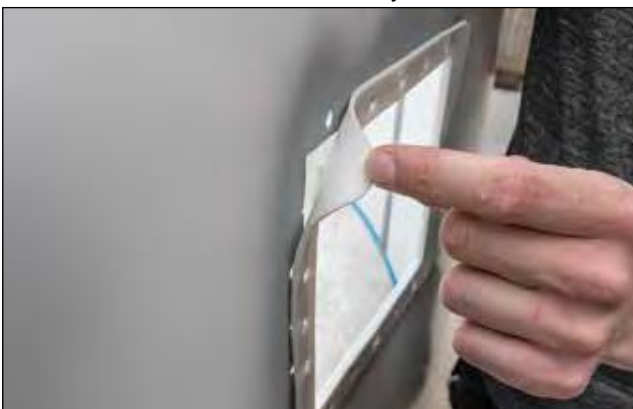


Fig. 42

If installing the piping later is feasible, the skimmer can also be installed later along with the installation of the liner (see page 20).

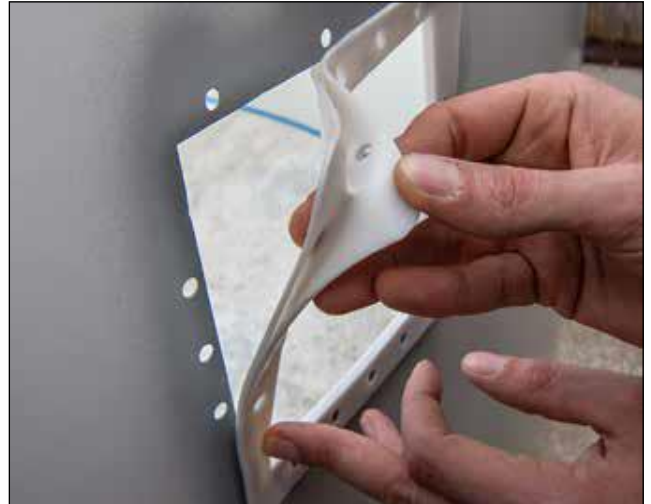


Fig. 43



Fig. 44



Flange screw

Safety screw

Fig. 45



Fig. 46



Fig. 48

#### 4.5.2 Return nozzle

The IBIZA swimming pools use normally 1 return nozzle, located next to the skimmer. Here also the cutting edges should be treated with anticorrosion coating.



Fig. 47



Fig. 49

##### 4.5.2.1 Return nozzles for fixed (buried) piping



**Important! The nozzle bodies must be used now, prior to the installation of the liner, because they are specific high-quality return nozzles with a flange on the swimming pool side, which – in contrast to conventional nozzles – facilitate appreciably any later liner replacement.**

- |                     |               |
|---------------------|---------------|
| 1) Adjusting ring   | 2) Nozzle eye |
| 3) Nozzle body      | 4) Safety nut |
| 5) Screws           | 6) Cover      |
| 7) Flange           | 8) Gasket     |
| 9) Hole-less gasket |               |

The flange ⑦ is needed for the final nozzle installation. If the nozzle flange cannot be found promptly, it is probably inserted into the cover ⑥. Compress/bend the cover slightly to separate the flange and mount the flange (see Fig. 48).

If the return nozzle is completed with an additional hole-less gasket ⑨, this gasket is not used for swimming pool with steel walls.



Fig. 50

Fix one of the self-sticking gaskets onto the nozzle body flange frame.



Fig. 51



Fig. 52

Put the nozzle body through the opening in the steel wall from the inside.

Now put on the safety nut on the nozzle thread from the back (outer swimming pool side) and screw it on.



Fig. 53



Return nozzles with hose couplings 32/38 mm are installed only simultaneously with the liner (see page 24).

#### 4.6 Laying protective geotextile padding

The swimming pool should be installed in time or it may collapse. If fast installation is impossible, e.g. because of bad weather, we recommend that the padding should not be used for the time being and the swimming pool wall should be mechanically secured against any strong wind.

The use of protective geotextile padding or a protective paulin is recommended to protect the pool liner against direct contact with the substrate and any materials in it that might potentially damage the PVC. Remember, however, that a protective geotextile pad can only protect but not make for any surface unevenness.

The substrate must be cleaned thoroughly before laying the padding.

In some cases the padding has been cut already to match that of the swimming pool. If the padding was delivered in rolls, lay it in strips and fix with an adhesive tape.



Fig. 54



Fig. 55

Cut the padding approximately 10 longer than the swimming pool dimension and let it overreach around the swimming pool wall to a height of some 5 cm. Cuttings can be used for minor side areas. Draw the overhanging edges over the bottom wall edge trims and fix to the steel wall with an adhesive tape.



Fig. 56



Fig. 57

Smooth the padding and join the adjacent strip edges together also with an adhesive tape.



Professional hint for laying the padding: Subsequently, small wedges at a spacing of 20-25 cm must be cut out of the padding edge in the oval segment in order to remove any excess material (see Figs. 58–59).



Fig. 58



Fig. 59



Fig. 60

Any folds in the padding from the transport and storage will get smooth eventually under the pressure of the swimming pool water.

#### 4.7 Hanging the pool liner and installing the top wall edge trim



**Caution:** Install the pool liner at +15°C to +25°C. Avoid exposure to strong solar radiation!

If the temperature is too high, the plastic material is soft and elastic and the liner is too large. If the temperature is too low, the plastic material is hard and inelastic and the liner is too small (the size differences can make up to 50 cm!).

If the padding is present on the pool bottom, enter the swimming pool only in clean shoes or in socks. Also, the entire internal swimming pool area should be cleaned again (with a vacuum cleaner for instance, Fig. 61).



Fig. 61

Now put the liner in the centre of the swimming pool and spread it so that the outer floor seams should be equally far from the steel wall because the plastic material is soft and elastic and the liner is always somewhat smaller than the swimming pool itself.



**i** See to it that the perpendicular weld should not be in the area of the skimmer, return nozzles or lights or else leaktightness cannot be guaranteed.



**Caution:** Enter the swimming pool with the liner inside only barefoot or in suitable footwear.



Fig. 62



Fig. 63

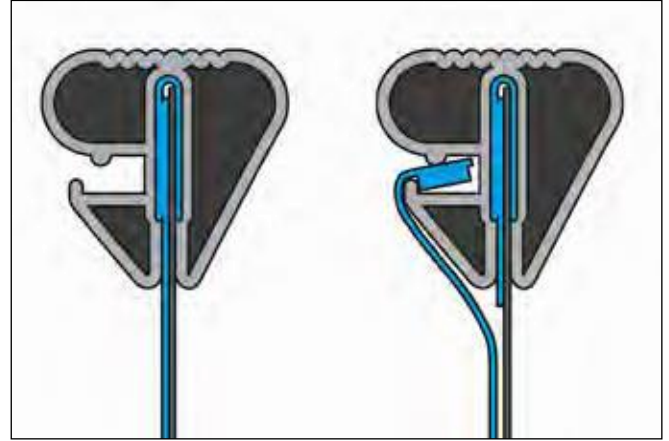
Irrespective of the top wall edge trim, the pool liner has its own suspending edging (see Fig. 64).



Fig. 64

### Notes on the top wall edge trim:

The wedge-shaped side rabbet on the specific top wall edge trim will be used later when the liner is replaced if a hem is laid on the top wall edge trim. For this, the old liner is cut off and the remaining suspending profile continues to be used to protect the edge. Only the second liner, which has a wedge section rather than a suspending section, will be hung into the rabbet in the top wall edge trim.



(Example of a specific combined top wall edge trim)

Put the edge of the liner with the welded-on suspension section over the steel wall edge and fix the liner with a few parts of the trim (see Figs. 65–67).



Fig. 65



Fig. 66



Fig. 67

Complete the top wall edge trim installation only after smoothing the liner welds.

#### 4.7.1 Installation of the top wall edge trim (general)

Combine the top wall edge trim parts together by using joining pins and by impacting on the swimming pool edge with your hand or with a rubber hammer. At the same time fasten the suspension section. If the top wall edge trim is too long, shorten it (see Fig. 68–70).



Fig. 68



Fig. 69



Fig. 70



Professional hint: The delivery of the top aluminium rail includes 2 plastic covering strips. It may happen during the swimming pool filling that a major gap emerges on one or the other side of a segment of the top rail due to steel wall expansion. Once the swimming pool is complete, use the strips to cover such places.

Cover the plastic top wall edge trim joints with aluminium strips (if provided).

#### 4.7.2 Smoothing any folds



If vertical folds occur on the wall part of the liner, they can be eliminated by displacing if a partly fixed top wall edge trim is present.

Move the folds starting from the ground outwards toward the swimming pool wall. In particular, see to it that the liner weld lies between the pool bottom and wall precisely in the swimming pool bottom/wall corner. Before filling the swimming pool with water, the liner welds should everywhere be identically far from the swimming pool edge and have no folds or creases as far as possible. Since the pool liner has been fabricated to be somewhat smaller than the swimming pool size, so as to take account of expansion due to the effect of temperature and water pressure, it is imperative that the pool bottom seams are uniformly offset from the swimming pool wall.



Fig. 71



Fig. 72

Following final installation of the top wall edge trim, correction of any remaining folds on the pool bottom can be made by filling the pool with a 2cm to 3cm water layer and displacing the folds outwards.



Fig. 73

If folds on the wall cannot be smoothed::

Wait for a water layer 20–30 cm thick. If the problem persists, partly take off the trim (step by step, never completely!) and displace the liner to the side to reduce any folds or remove them as much as possible. In this case the liner must be adequately secured with the top wall edge trim to prevent the liner from sliding down into the swimming pool. If all those measures fail, that is, the folds are intolerably large, the only way out is to start a completely new attempt to install the liner.



Professional hint: A conventional vacuum cleaner can be used to smooth the sheet around walls.

The vacuum cleaner hose mouth must be wrapped with geotextiles (which must be fastened to the hose with an adhesive tape) to prevent the hose from sticking to the plastics. Push the hose end through the opening in the skimmer and further on behind the liner. Put a carton with a hole onto the skimmer lid and push the hose through it and make this assembly tight with an adhesive tape. This system will only work if all the remaining openings, i.e. the return nozzle holes and the skimmer holes, are blinded from the outside with adhesive tape. Now activate the vacuum cleaner to roughly one-half of the maximum power. Air will start to be aspirated and the plastic sheet will tighten slowly. What remains to do is only to smooth out the folds arising from the sheet storage in the box.



Fig. 74



## 4.8 Installing the parts to be built in

If the water surface is approximately 20 cm below the respective part, you can start trimming and installing (or completing the installation) of the parts to be built in.

### 4.8.1 Return nozzle

For attaching a hose 32/38 mm (see Fig. 76):  
When the plastic swimming pool sheet is smooth, cut it just in front of the opening in the wall for the return nozzle (the cut-off part should be 5-10 mm smaller than the opening in the steel wall). Then put a gasket between the sheet and the steel wall and pass the nozzle with the second gasket through the opening so that gaskets are present in front of and behind the plastic sheet. Now tighten the nozzle with the safety nut on the outer side of the swimming pool.



Important: If a double gasket has been provided, separate it in the middle to obtain two separate gaskets (see Fig. 75).



Fig. 75



Fig. 76

### For fixed piping 50 mm (see Fig. 77):

Once the plastic pool sheet is smooth, make holes for the screws, with an awl for instance (see Fig. 79). Fix the other gasket behind the flange so that it is positioned between the liner and the flange. Tighten the flange screws transversely.

Now cut out a hole in the liner copying the opening (see Fig. 83). Re-tighten the nozzle eye and adjusting ring and put on the cover.



Fig. 77



Fig. 78



Fig. 79



Fig. 80



Fig. 81



Fig. 82



Fig. 83

#### 4.8.2 Skimmer

Punch the holes for the screws and then screw on the flange by the crosswise pattern.

If the skimmer body was installed together with the liner only now, put the double gasket into the opening in the steel wall, hold the body from the outside and make the openings for the screws on the inner side and screw on the flange crosswise.

Now cut out the opening for the skimmer and put on the flange cover. The top of the flange and the top of the cover are normally marked "Top".

Insert the flap and sieve into the skimmer.



Fig. 84

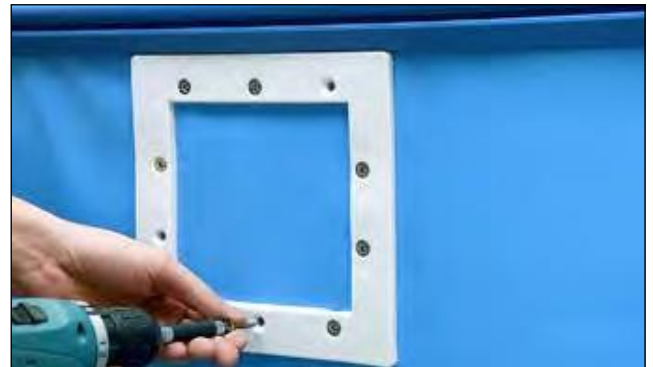


Fig. 85



Fig. 86



Fig. 87

**Skimmer basket:**

When using the pool, the skimmer basket must be freed from impurities and tree leaves periodically for the filter system to work perfectly. To this end – and also for vacuum cleaning of the pool bottom – the skimmer cover must be readily accessible. Make sure that the skimmer basket sits well, is not lifted and does not block the skimmer flap and hence, the water flow (see Fig. 88).



Fig. 88

Use the suction plate only in combination with the pool bottom cleaner hose, not during the normal filter operation!

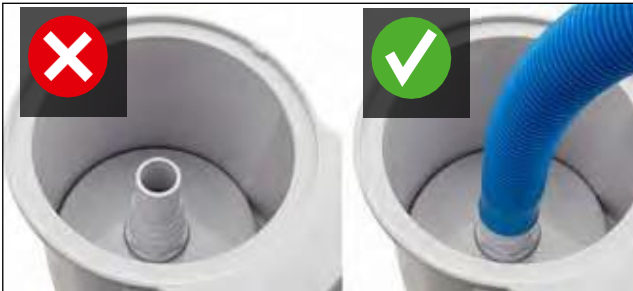


Fig. 89

**4.9 Complete the technology installation procedures**

Prior to filling the swimming pool completely with water and completing the full installation, the various parts of the technology (skimmer, return nozzle, lights, countercurrent, ...) must be (inter)connected. The piping should be stiff or flexible, with a PVC pipe resistant to the pressure of the earth and to the pressure of water. All connections should be accessible for inspection or be certified against leaks. Installation of a return flap in the filter pump suction segment is recommended if the filter unit is installed above the water surface level in the swimming pool. Electrical cables should be drawn through ducts to the site where the machine room/distribution box will be installed.

## 5 Dry concrete around the swimming pool

Dry lean concrete should be poured around a circular swimming pool to fill completely the inground part. For oval swimming pools it is sufficient to pour the concrete around the two front sides and rounded pool parts. No lean concrete needs to be poured behind the retaining walls. Once the installation is complete, fill the swimming pool with water. A circular swimming pool can be completely filled. An oval swimming pool should be filled stepwise along with the outer filling.

Prior to pouring concrete, put a construction sheet and polystyrene boards 15-25 mm thick into the ground at the rounded pool segments to protect the outer side of the steel wall.

Pour several layers (each  $\leq 50$  cm high) of wet lean concrete C8/10 (or in the mixing ratio of approximately 1:10 depending on the gravel grain size) around the swimming pool wall. Each layer must set before a next layer is added. Formwork panels or the like can be used to confine the concrete layer sides. Once the layer has set, the panels are put upwards for confining the next layer.

While the concrete is poured around the rounded faces of an oval swimming pool, earth must also be poured and compacted behind the retaining walls to help the brickwork absorb the pressure of the water. The concrete must not be too wet and must not be shaken or compacted.

Where natural soil (e.g. cohesive clay) is present, the concrete must be  $\geq 15$  cm thick.

Concrete thickness approximately 30 cm is recommended for calibrated soils.



Professional hint: As an alternative to concrete pouring, the rounded parts of the swimming pool can be surrounded with brickwork and the outer space can be then backfilled with soil and compacted.



Where poured concrete is used, the water level must be  $\geq 30$  cm higher than the outer concrete filling in order to absorb the external pressure.

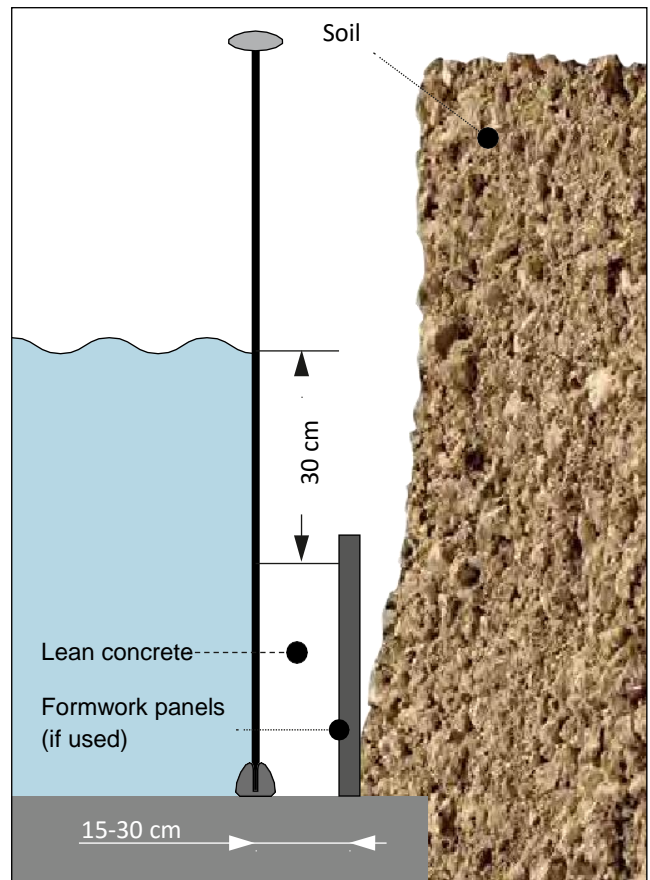


Fig. 90

While pouring concrete around the swimming pool, make sure that the swimming pool is not deformed by the pressure of the concrete.

Also, avoid too much concrete pressure on the skimmer, this might result in distortion and jam of the skimmer flap. Use of, e.g., polystyrene around the skimmer is recommended to absorb the pressure from the concrete at that point. Also, avoid damaging the steel wall, any damage may result in steel corrosion later. Also, the warranty would become void and null. If any scratches and other flaws are present on the steel wall, treat them with an anticorrosion agent promptly.

## 6 Miscellaneous

### 6.1 Water level and skimmer flap

Water level in the swimming pool must be set according to the skimmer opening. The centre or up to two-thirds of the skimmer opening is optimal (see Fig. 91). At any rate, avoid too low a water level, the filtration pump might get damaged. Also, the skimmer flap must be freely movable at any times and the skimmer basket must sit well, otherwise water flow might be precluded.

The suction board can be put on the system – hose of the pool bottom cleaner (see later) – only when removing dirt and impurities from the pool bottom.

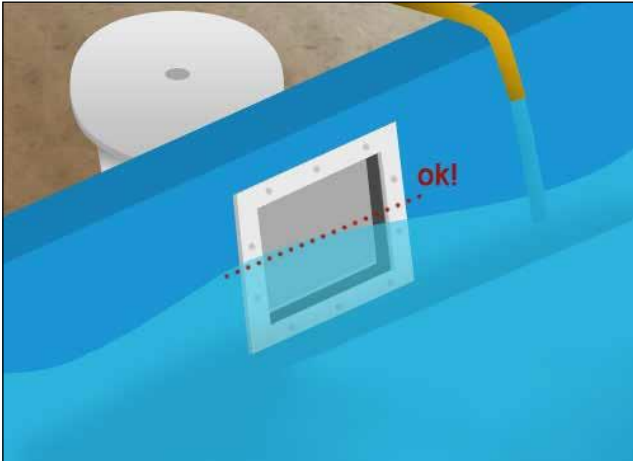


Fig. 91

### 6.2 Entering the swimming pool

A swimming pool must have a system – stairs or a ladder – enabling the visitor to get into the pool easily and safely. Stairs can be designed either for inground/semi-inground swimming pools or for above-ground (partly or fully free-standing) swimming pools:

#### 6.2.1 Stairs for an above-ground swimming pool

Stairs for above-ground swimming pools are recommended if your product pool is a free-standing or semi-inground swimming pool. Where needed (for semi-inground swimming pools), such stairs can be shortened by sawing off a part of the stairs with a clean hacksaw, etc. Deburr the cutting edges. Then put the adjustable feet on the stair ends.

Follow the instructions for stairs assembly and use.

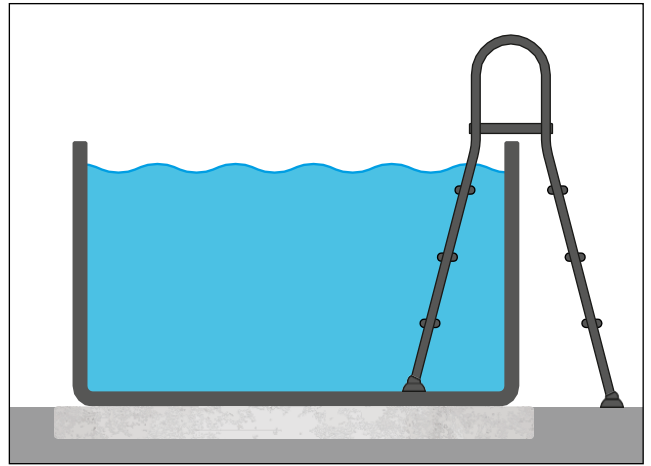


Fig. 92

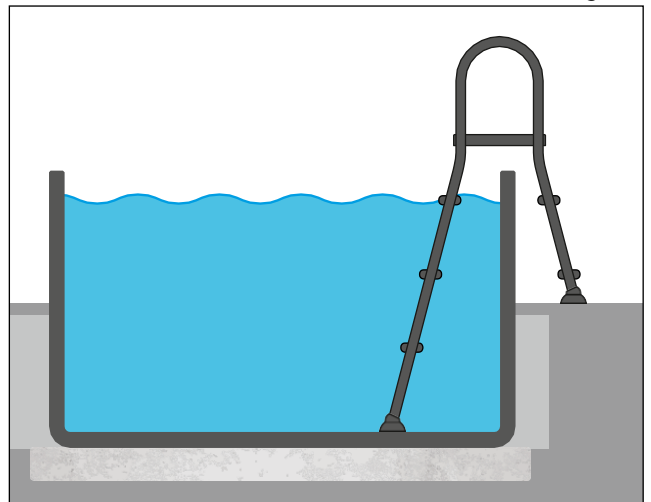


Fig. 93

#### 6.2.2 Stairs for an inground swimming pool

Two methods exist to install high-grade steel stairs for inground swimming pools. Follow the procedure described in the instructions for installation.

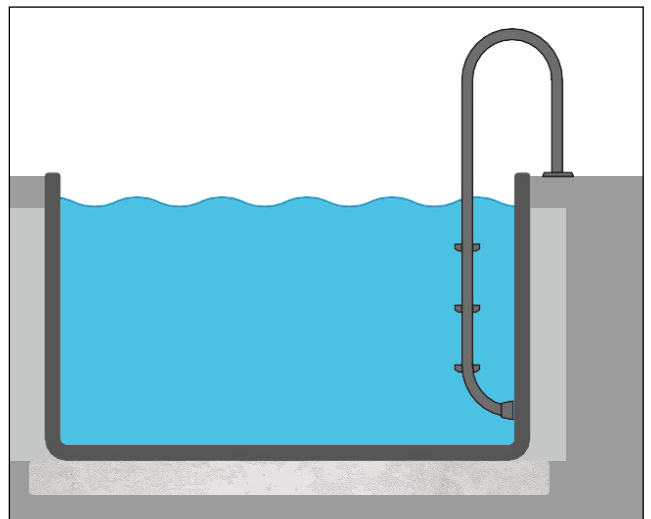


Fig. 94

### 6.3 Advice for using the swimming pool

- Shower and clean your soles before entering the swimming pool. Do not wear shoes in the swimming pool, the vinyl sheet might get damaged.
- Use stairs to leave the swimming pool.
- Maintain the water level at the prescribed height, approximately in the centre of the skimmer flange. Remember that water evaporates from the swimming pool at any weather and must be made up. Natural evaporation is normal, do not mistake it for water leak.
- Inspect the swimming pool and accessories periodically to detect any true water leak. If any leak is detected, tighten the coupling(s) or add a gasket / replace the gasket.
- Good care of the water in the swimming pool is prerequisite for maintaining the swimming pool in good condition.
- Water temperature in the swimming pool should not exceed 30°C, the optimum temperature is about 25°C. Too warm water will not refresh you very much and, in addition, will reduce the efficacy of the sanitation agent (chlorine) and create good conditions for the growth of algae. Also, the liner gets softer in warm water and creases form easily on it. If the water in the swimming pool reaches 30°C, stop using the water heating system, remove the paulin and, if appropriate, replace a fraction of the warm water with colder water.

### 6.4 Liner repair

Pool liner defects can be repaired readily by using the repair kit for use in water.

### 6.5 Maintenance

Water in the swimming pool will be clean and clear at all times if a combination of mechanical and chemical water treatment methods is applied.

#### Mechanical water treatment:

Minor impurities such as pollen, grass and hairs will be removed by the skimmer and the filter system. Use a net and/or the pool bottom cleaner to remove coarse impurities and foreign matter.

A filter system and a skimmer must be available for manual pool bottom vacuum cleaning. Rinse and flush the sand filter thoroughly prior to starting the manual cleaning process.

#### Manual vacuum-driven removal of impurities from the pool bottom:

A "vacuum cleaning board" is normally provided together with the skimmer. You will need a vacuum cleaning brush, telescopic pole and suction hose (to attach the brush to the board).

Attach the hose and telescopic pole to the vacuum cleaner brush. Fill the suction hose with water and

attach to the vacuum cleaning board. Put the board onto the skimmer filter basket. Set the sand filter system to "Filtration", the filter system will switch on and you can start the cleaning procedure.

Make sure that the suction hose is completely filled with water, avoid aspirating air into the pump!



**Professional hint for suction hose deaeration:** To achieve complete air removal from the suction hose for manual pool cleaning, the hose can be held for a short moment at the return nozzle while running the filter system. The water flow will purge any air from the hose, and once no additional bubbles leave the other hose end/suction brush, the hose is completely free from air and the filter system can be switched off.

If, despite this, some air gets into the sand filter system, the swimming pool pump must be switched off and deaerated again (the filter system is normally deaerated automatically). When cleaning the pool bottom, move the brush slowly and uniformly – too fast motion could stir the impurities and you would fail to reach them. A skimmer with a filter basket is required if the sand filter system has no prefilter!

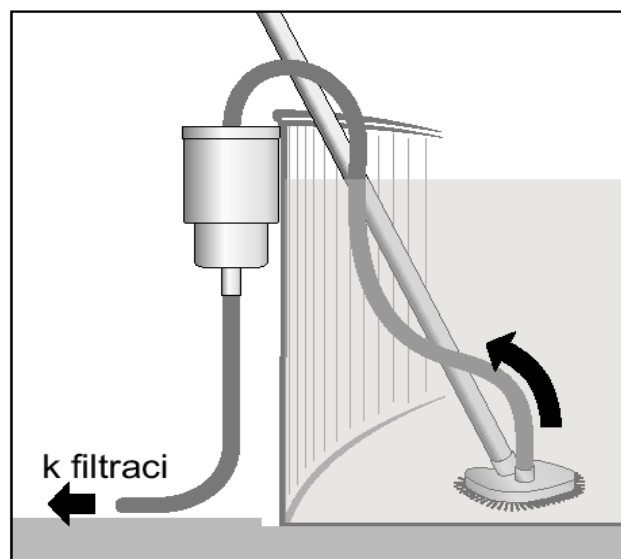


Fig. 95

If the filter performance is lower than expected, this may have one or more of the following reasons:

- 1) Filtering sand is dirty. → Clean the filter.
- 2) Pump aspirates air (air bubbles in water from the return nozzle). → Defective hoses, inspect the hose clamps
- 3) Too little water is fed to the skimmer. → Inspect the water level and increase if appropriate
- 4) Skimmer basket is dirty. → Clean the skimmer basket
- 5) Basket of the filter pump prefilter is dirty. → Clean the basket

### Chemical water treatment:

No general instructions regarding dosage or the treatment regime can be provided for water treatment with chemical products. The situation of each swimming pool is different with respect to the swimming pool nature, number of visitor, surrounding environment, climatic conditions, etc. Dosage is governed by actual parameters measured. It is convenient to use a kit for measurements of the pH, free chlorine and any other active compounds. Knowing those parameters, one can dose the chemical products precisely as needed. The hazard of unnecessary exposure of humans to chemicals is then minimised. Follow these guidelines:

- Consider the appropriateness of the product and its use patterns when selecting a chemical agent
- Store the swimming pool chemicals OUT OF THE REACH OF CHILDREN, in a cold, dry a dark place.
- Read the first aid measures for each chemical, follow safety guidelines and safety instructions on the labels.
- Follow manufacturer's instructions when applying the chemicals. Follow personal hygiene habits when handling the products. Wash hands after finishing.
- Do not put any chemical products into the skimmer sieve. When applying chlorine agents in the form of tablets, best use a dedicated float or a chlorine dispenser. If you buy a float, insert the appropriate number of tablets into it and let it float on the water. The chlorine will be dispersed throughout the entire swimming pool faster if the filtering system is ON. Once the product has dispersed, remove the float and store it at a safe place. If you wish to use the swimming pool before the product has dissolved, remove the float and store it at a place where no injury, harm or damage can occur. Take special care to hide it from children.
- Do not use the swimming pool while applying any chemical product.

### 6.6 Preparing for the winter season

All inground swimming pools must remain partly filled with water during the winter months in order to compensate external pressure.

Initial pH should be set at 7.0 and any water haze or presence of algae should be eliminated by shock chlorination.

Subsequently, lower the water level approximately 10 cm below the return nozzles and drain (remove) any water from the piping and the filter system thoroughly. The input nozzles can be closed by means of winter valves.

If point light are built in the swimming pool, water level should be either below them or above them.

Add some protective product for the winter season in order to lower temperature. Using dedicated cushions is recommended to counteract ice pressure on the swimming pool walls.

## 7 Safety rules

### General safety measures:



**Never leave children alone in or near a swimming pool, instruct them about potential dangers. Teach children to swim. Cover the swimming pool when not in use. Enter the swimming pool very slowly after meal or sun tanning. Your blood circulation system or heart may fail!**



**Immediate aid after an accident during swimming: Get the victim(s) out of the pool immediately. Check heart rate and breathing. If needed, apply mouth-to-mouth breathing and indirect heart massage. Call medical rescue service.**

**Warning: Do not make any changes of the swimming pool and/or interventions into the structure of the assembled swimming pool filled with water. The swimming pool may collapse or cause severe injury.**

### Technical safety guidelines:

- Before using the swimming pool please read all information thoroughly and ask questions if anything is not clear to you. Follow the recommendations. They are intended to ensure your safety and the safety of other people in the swimming pool. Please keep this document at a safe place in case you need it later.
- One introductory remark: The text that follows describes the most typical risks associated with the use of swimming pools. Additional risks may also exist. So: Use common sense while doing any activities in or near the swimming pool.

### Safety of non-swimmers:

- Always be sure that non-swimmers and persons with a reduced ability to swim – small children in particular – are under the surveillance of a person who can rescue them and call help in emergency.
- In order to avoid misunderstanding in communication: Appoint a person who can help and who will monitor and supervise the swimming pool constantly while in use.
- Non-swimmers and persons with a reduced ability to should use personal protective equipment when entering the swimming pool.
- Remove any toys from the swimming tools and its surroundings if the swimming pool is not used or monitored, so children will not be attracted by them.

### Safe access to the swimming pool:

- If the swimming pool access device – stairs – cannot be lifted or lowered to prevent children from entering the swimming pool unattended and protect them from drowning, best use a dedicated safety device for this purpose.

### Safety device:

- A safety device can prevent children from entering the swimming pool unattended and from drowning. It also prevents other unauthorised persons from entering the swimming pool. So we recommend that you should not try to do without such safety accessories. Depending on the individual circumstances, such devices can include a fence, covers with specific protection against injury, roofing or an alarm system.
- It is also worthwhile to secure the doors and windows of your house as well as the land plot against intruders who might want to use your swimming pool without your consent.
- Please remember that: Protective equipment can make the swimming pool safer but it can never substitute supervision of children by an adult who can help in emergency.

### Rescue equipment:

- Keeping rescue equipment (such as a rescue ring) at the swimming pool in case of emergency is recommended.
- Make sure that a telephone in good order and a list of emergency telephone numbers are available near the swimming pool in case help must be called in emergency.

### Safe use of the swimming pool:

- Encourage all swimming pool users, notably children, to learn to swim.
- Learn the first aid principles (cardiopulmonary resuscitation) and brush up your knowledge periodically. This may save lives in emergency.
- Instruct all swimming pool users, including children, beforehand what to do in emergency.
- Never jump into shallow water. This may result in a severe injury or death.
- Do not use the swimming pool if you are under the influence of alcohol or medical drugs that may affect your ability to use the swimming pool safely.
- If your swimming pool is fitted with a cover: Make sure that the cover has been completely lifted/removed from the water surface before using the swimming pool.
- In order to protect the swimming pool users from diseases transmitted by water see to it that the water is maintained clean and hygienically safe. Follow the guidelines and instructions in the instruction for use of the water treatment products.

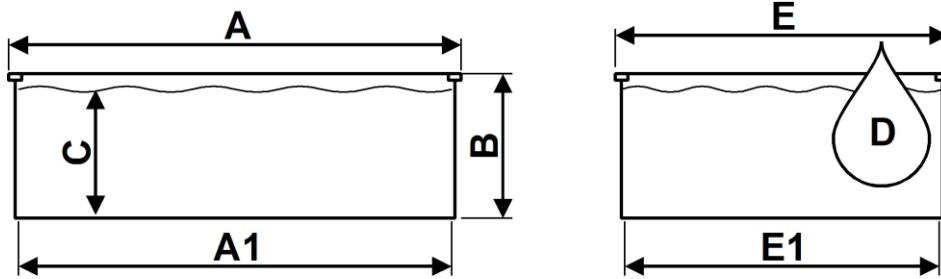
- Keep all chemicals and water treatment products/cleaners/disinfectants out of the reach of children.
- Keep detachable stairs on a horizontal surface when not in use.
- Protect the swimming pool users from diseases caused by harmful water. Maintain water in the swimming pool harmless and follow personal hygiene principles.

Put a warning sticker near (within 2 meters) the place where the swimming pool is normally entered/left. Remember that the swimming pool is not deep enough to allow safe jumping into, the injury hazard exists.





## Approximate swimming pool dimensions and water volume



Swimming pool type	A1 [cm]	A [cm]	B [cm]	C [cm]	D [m <sup>3</sup> ]	E1 [cm]	E [cm]
Ø 3,6 x 1,2 / 1,5 m	Ø 360	Ø 364	120 / 150	105 / 135	10.7 / 13.7	-	-
Ø 4,0 x 1,2 / 1,5 m	Ø 400	Ø 404	120 / 150	105 / 135	13.2 / 17.0	-	-
Ø 4,6 x 1,2 / 1,5 m	Ø 460	Ø 464	120 / 150	105 / 135	17.5 / 22.5	-	-
Ø 5,0 x 1,2 / 1,5 m	Ø 500	Ø 504	120 / 150	105 / 135	20.6 / 26.5	-	-
Ø 6,0 x 1,2 / 1,5 m	Ø 600	Ø 604	120 / 150	105 / 135	29.7 / 38.2	-	-
3,2 x 5,25 x 1,2 / 1,5 m	525	529	120 / 150	105 / 135	15.5 / 20.0	320	324
3,2 x 6,0 x 1,2 / 1,5 m	600	604	120 / 150	105 / 135	18.0 / 23.0	320	324
3,5 x 7,0 x 1,2 / 1,5 m	700	704	120 / 150	105 / 135	23.0 / 30.0	350	354
4,16 x 8,0 x 1,2 / 1,5 m	800	804	120 / 150	105 / 135	31.0 / 40.0	416	420
4,16 x 10,0 x 1,2 / 1,5 m	1000	1004	120 / 150	105 / 135	40.0 / 51.5	416	420
6,0 x 12,0 x 1,2 / 1,5 m	1200	1204	120 / 150	105 / 135	67.5 / 87.0	600	604

Swimming pool tightness class: W<sub>2</sub>

We wish you a lot of joy with your swimming pool!

# Mountfield

# Montageanleitung für runde und ovale Swimmingpools IBIZA



## **Sicherheitshinweise:**

Vor dem Bau und der Nutzung des Swimmingpools ist die ganze Anleitung einschließlich Sicherheitshinweisen zu lesen und diese sind einzuhalten.

Um dem Ertrinken und ernststen Verletzungen vorzubeugen, ist mittels geeigneten Sicherheitseinrichtungen der Zugang von Unbefugten zum Pool zu verhindern, insbesondere von Kindern unter 5 Jahren.

**Nichtschwimmer und Kinder sind ununterbrochen durch eine erfahrene Person zu beaufsichtigen. Alle Sicherheitsvorschriften und -einrichtungen können die Aufsicht durch die verantwortliche Person nur ergänzen, sie können sie nicht ersetzen.**

**Detailliertere Informationen ab Seite 30.**

# Inhaltsverzeichnis

1	Wichtige Hinweise .....	3
1.1	Erdung des Pools .....	3
2	Einleitende Informationen .....	3
2.1	Poolteile.....	3
2.2	Standort des Pools.....	4
2.3	Anordnung des Filters.....	4
2.4	Möglichkeiten der räumlichen Anordnung .....	4
2.5	Vorbereitung des Untergrunds.....	5
2.6	Innere Poolfolie .....	5
3	Bauvorbereitungen.....	6
3.1	Baugrube für einen runden Pool .....	6
3.2	Bodenplatte .....	6
3.3	Baugrube für einen ovalen Pool .....	7
4	Aufstellung des Pools .....	10
4.1	Aufstellung eines runden Pools.....	10
4.2	Aufstellung eines ovalen Pools.....	11
4.3	Aufbau der Stahlwand .....	12
4.4	Anpassung der Bodenprofilschiene und Verbindung der Wandenden mit dem Aufschubprofil .....	13
4.5	Vorbereitung von Öffnungen für Einbauzubehör.....	15
4.6	Verlegung der Geotextilunterlage.....	19
4.7	Einhängen der inneren Poolfolie und Montage des Handlaufes.....	20
4.8	Montage von Einbauteilen .....	24
4.9	Abschluss der Installation der Technik .....	26
5	Hinterschüttung mit Trockenbeton.....	27
6	Sonstiges.....	28
6.1	Wasserspiegel und Skimmerklappe.....	28
6.2	Einstieg in den Pool .....	28
6.3	Hinweise zur Benutzung des Pools.....	29
6.4	Reparatur der Poolfolie .....	29
6.5	Instandhaltung.....	29
6.6	Winterfest machen .....	30
7	Sicherheitshinweise.....	30

# 1 Wichtige Hinweise



**Lesen Sie zuerst aufmerksam alle Punkte dieser Anleitung und halten Sie alle Anweisungen ein.**

Die Illustrationen und Abbildungen in diesem Handbuch stellen teils Symbol- und Musterabbildungen dar, die der allgemeinen Veranschaulichung dienen.

Kontrollieren Sie vor Beginn, ob ihr Pool vollständig ist. Kontrollieren Sie, ob alle Teile ohne Mängel sind. Für Transportschäden, die bei bereits eingebauten Teilen geltend gemacht werden, können wir keine Haftung übernehmen. Wir behalten uns Änderungen aufgrund technischen Fortschritts vor.



**Stellen Sie sicher, dass mit der Stahlwand nur geeignete Baumaterialien in Kontakt kommen.**

**Überprüfen Sie zum Beispiel bei Verwendung von Silikon, dass dieses keine Säuren enthält. Andernfalls kommt es zur Beschädigung des Schutzanstrichs der Stahlwand und es kann Korrosion auftreten. Gegebenenfalls kann es erforderlich sein, die Eignung des Materials für die geplante Nutzung festzustellen.**

## 1.1 Erdung des Pools

Die Poolwand und alle großflächigen Metallteile müssen von einem qualifizierten Elektriker gemäß den am Aufstellungsort geltenden Vorschriften angeschlossen werden.

Dazu können Sie die Stahlwand unten durchbohren (und dann mit Zinkspray oder Plastikfarbe behandeln) und das Erdungskabel an einer Metallschraube befestigen (siehe Abb. 1). Von dort wird das Kabel zum Erdungspfahl geführt.



**Achtung: Alle elektrischen Arbeiten müssen von einem qualifizierten Unternehmen gemäß den einschlägigen Normen für die Elektroinstallation (z. B. DIN VDE 0100 Teil 702) durchgeführt werden.**

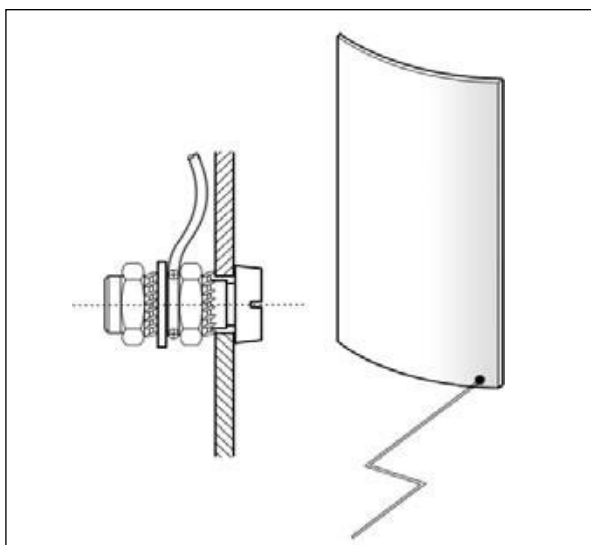


Abb. 1

# 2 Einleitende Informationen

## 2.1 Poolteile



Abb. 2



Die oben angeführte Abbildung enthält nicht alle gelieferten Teile. Die Ausführung und die Farbigkeit der abgebildeten Teile können abweichen.



Die hier gezeigten Illustrationen und Abbildungen stimmen möglicherweise nicht mit dem gelieferten Produkt und dessen Zubehör überein. Sie dienen lediglich dem besseren Verständnis des Textes dieser Anleitung.

Der Hersteller behält sich das Recht vor, ohne vorherige Ankündigung Änderungen vorzunehmen.

## 2.2 Standort des Pools

Der Pool sollte an einem möglichst sonnigen Ort und nicht zu weit vom Haus entfernt stehen. Der Skimmer (Oberflächenabsauger) sollte in Windrichtung positioniert werden, damit Schmutz auf der Oberfläche in Richtung Skimmer getrieben wird. Wichtiger ist jedoch, dass der Skimmer an der Seite angebracht ist, die näher am Filter liegt.

## 2.3 Anordnung des Filters

Das Filtersystem sollte immer so nahe wie möglich am Pool positioniert werden, wobei es besser ist, dass die Saugleitung (Skimmerrohr) kürzer ist als das Einlaufrohr (Düsenrohr) ist.

Das Filtersystem kann in einem Schacht, im Haus oder in einem Gartenhaus usw. angeordnet werden. Bei der Anordnung im Haus und im Schacht muss darauf geachtet werden, dass im Boden für den Fall eines Lecks ein Abfluss ist. Das Rückspülwasser muss ebenfalls abgeführt werden, durchschnittlich ca. 200 l alle 1–2 Wochen. Dies kann durch ein starres Rohr oder gegebenenfalls durch einen Schlauch geschehen, der dann zu einem geeigneten Abfluss geführt wird.

Wenn das Filtersystem höher als der Wasserstand liegt, muss ein Rückschlagventil auf der Saugseite, d. h. am Skimmerrohr, installiert werden. Es muss sich in einem Abstand von 1–1,5 m von der Sandfilteranlage befinden und jederzeit zugänglich sein.

Bei der Auswahl des Standorts für die Filteranlage spielt auch die geplante Art der Warmwasserbereitung eine wichtige Rolle. Soll der Pool durch eine Pool-Solaranlage beheizt werden, sollte die Filteranlage möglichst nahe am jeweiligen Standort des Solarkollektors installiert werden. Auch wenn eine Luft-Wasser-Wärmepumpe im Freien geplant ist, ist es ratsam, das Filtersystem ebenfalls im Garten anzuordnen. Wenn jedoch der Wärmetauscher an die Zentralheizung angeschlossen wird, ist es fast unerlässlich, den Filter im Haus aufzustellen.

## 2.4 Möglichkeiten der räumlichen Anordnung

### 2.4.1 Möglichkeiten der räumlichen Anordnung – runder Pool

Runde Becken aller Tiefen und Größen können immer auf drei verschiedene Arten aufgestellt werden:

#### Im Boden eingelassener Pool

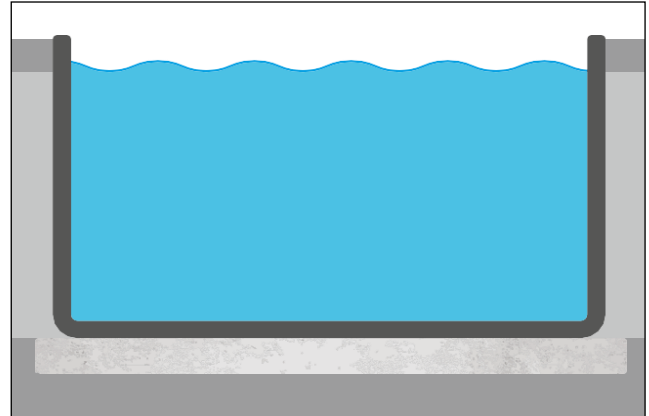


Abb. 3

#### Teilweise im Boden eingelassener Pool

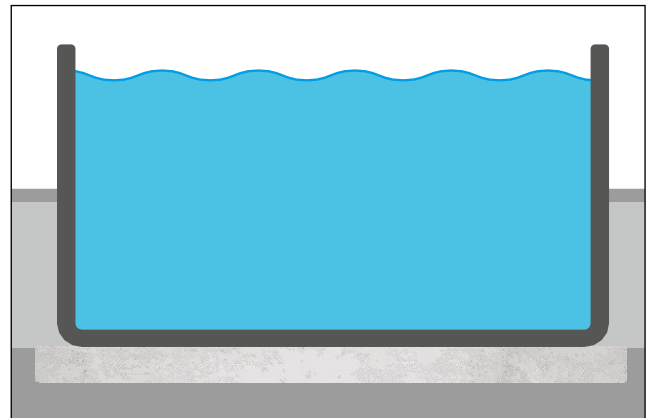


Abb. 4

#### Freistehender Pool

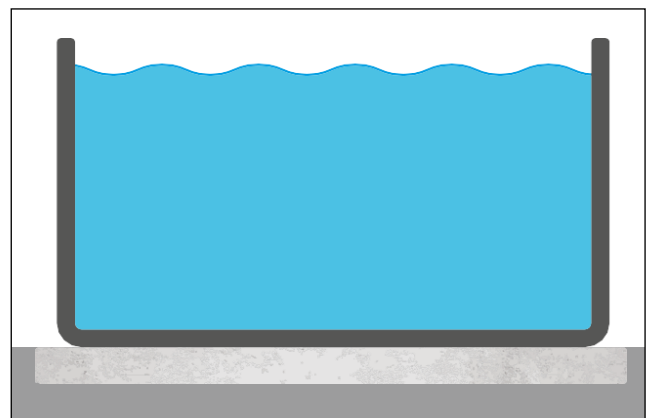


Abb. 5

Bei Swimmingpools mit einer Tiefe von 150 cm muss das Becken mindestens 60 cm tief in den Boden eingelassen werden.

In einem solchen Fall und für vollständig oder teilweise im Boden eingelassene Becken muss der versenkte Bereich stets mit Magerbeton hinterfüllt werden.

## 2.4.2 Möglichkeiten der räumlichen Anordnung – ovaler Pool

Ovale Pools sind nicht frei aufstellbar und müssen mindestens zu 2/3 ihrer Gesamthöhe im Boden eingelassen werden. Am Aufstellungsort sind eine Betongrundplatte und Stützwände an den Längsseiten erforderlich, die mittels Bewehrungsstahl mit der Grundplatte verbunden werden müssen.

Nach Abschluss der Bauarbeiten werden die Stirnseiten des ovalen Beckens mit Magerbeton aufgefüllt oder gegebenenfalls ummauert.

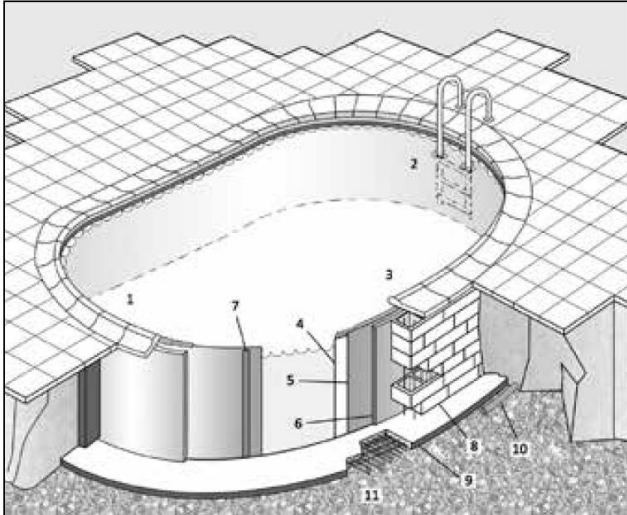


Abb. 6

- 1) Seite des Skimmers bzw. der Düsen
- 2) Poolleiter
- 3) Gegebenenfalls Poolleuchten (leuchten in Richtung vom Einbauort weg)
- 4) Innere Poolfolie
- 5) Stahlwand
- 6) Baufolie + Styropor
- 7) Verbindungsprofil, Stahlwand
- 8) Stützwand (bewehrt)
- 9) Stahlbeton-Bodenplatte mit glatter Oberfläche
- 10) Drainage
- 11) Schotter (Schüttung)

## 2.5 Vorbereitung des Untergrunds

Der Platz für das Schwimmbecken muss die statischen Anforderungen erfüllen, fest und vollkommen eben sein, eventuelle schräge Flächen müssen daher abgetragen werden.

An Hängen niemals Anschüttungen ausbilden! Hänge müssen durch eine Stützwand unterfangen werden. Unterfangen Sie den Hang niemals durch die Poolwand!

Der Untergrund muss gewachsenes Gelände sein, es sollte sich nicht um eine Aufschüttung handeln. Aufgeschüttete Erdmassen müssen entsprechend verdichtet werden, damit der Swimmingpool nicht absackt, oder es muss ein erhöhter Aufwand bei der Gründung betrieben werden. Bei Zweifeln wenden Sie sich bitte an einen Baufachmann oder an einen Statiker.



**Wichtig bei Einbau in den Boden: Achten Sie darauf, dass der Pool keinesfalls in den Bereich des Grundwassers gelangt. Falls bereits während des Aushubs in der entsprechenden Tiefe Grundwasser auftritt, muss unbedingt ein Baufachmann kontaktiert werden, um eine Lösung zu finden.**

Als Untergrund wird eine Stahlbetonbodenplatte benötigt, darunter in der Regel eine Kiesschüttung. Bei eingebauten Becken wird im Allgemeinen ein Drainagerohr empfohlen.

## 2.6 Innere Poolfolie

Die innere Poolfolie ist aus thermoplastischem Material hergestellt.

Stellen Sie sicher, dass der Pool bei Außentemperaturen von +15 °C bis + 25 °C aufgestellt wird. Hängen Sie die Poolfolie nicht unter starker Sonneneinstrahlung auf. Warten Sie bis zum Abend. Aufgrund der Materialeigenschaften kann die Folie bei zu niedrigen Temperaturen um Ø 50 cm kleiner sein als der Durchmesser des für diesen Zweck vorgesehenen Beckens.



**Stellen Sie unbedingt sicher, dass die innere Poolfolie nur mit PVC-verträglichen Materialien in Berührung kommt. Es wird daher empfohlen, sie immer mit einer schützenden Geotextilmatte zu unterfüttern.**

### 3 Bauvorbereitungen

#### 3.1 Baugrube für einen runden Pool



Beim Aushub für einen vollständig oder fast vollständig im Boden eingelassenen Pool ist darauf zu achten, dass im Bereich von Skimmer und Düse ein Arbeitsbereich von mindestens 50 cm verbleibt, damit später die eingebauten Teile in die Beckenwand eingelegt und durch Rohrleitungen verbunden werden können.

Wenn der Pool nicht mehr als bis zu Hälfte im Boden eingelassen ist und die Rohrleitung nicht im Boden liegen soll, ist ein Abstand von ca. 20–30 cm ausreichend.

Es ist zu beachten, dass das anschließende Ausfüllen mit Magerbeton direkt hinter den Stahlwänden in einer Schichtdicke von 15–30 cm ausgeführt werden muss; weitere Informationen finden Sie auf Seite 27.

#### Empfohlene Abmessungen der Baugrube:

Pool	Abmessungen der Baugrube
B x L [m]	B x L [m]
Ø 3,60	Ø 4,60
Ø 4,00	Ø 5,00
Ø 4,60	Ø 5,60
Ø 5,00	Ø 6,00
Ø 6,00	Ø 7,00

Der Einfachheit halber wird die Baugrube normalerweise in Rechteckform ausgehoben. Natürlich kann der Aushub auch so ausgeführt werden, dass er dem Grundriss des Pools entspricht (mit dem entsprechenden Abstand).

Die Tiefe der Baugrube hängt von der Dicke der Bodenplatte und der Kiesschüttung ab sowie von der Tiefe und dem Überstand des Pools.

#### Die Regel lautet:

$$\begin{aligned} & \text{Schüttung (Schotter)} \\ & + \text{Betonplatte} \\ & + \text{Tiefe des Pools bzw. des Einlassens in den Boden} \\ & = \text{Aushubtiefe} \end{aligned}$$

Die Dicke der Bodenplatte beträgt gewöhnlich 15 cm, die Dicke der Schüttung ca. 5 cm (die genaue Dicke bestimmt die Baufirma in Abhängigkeit vom Untergrund).



**Wichtig:** Befindet sich das Filtersystem nicht direkt am Becken und sind die Rohre in den Boden zu verlegen, müssen die Gräben für die verlegten Rohre gleichzeitig mit der Baugrube für das Becken ausgehoben werden.

Die Gräben für die Rohre müssen gleichzeitig mit der Baugrube für das Becken ausgehoben werden. Sie sollten ca. 40–50 cm breit und ca. 80 cm tief sein. Falls die Rohre vor dem Winter vollständig entleert werden können, indem das Wasser am tiefsten Punkt der Leitung abgelassen wird, können die Rohre weniger tief und mit Gefälle zum Entleerungspunkt verlegt werden.

Zu diesem Zweck wird empfohlen, an der entsprechenden Stelle ein großes Kunststoff- oder ein ähnliches Rohr mit einem Innendurchmesser von mindestens 160 mm vorzubereiten.

Gegebenenfalls sind auch Gräben für die Solarwärmeleitung (von der Filteranlage zur Solarwärmanlage) und die Stromversorgungskabel auszuführen.

#### 3.2 Bodenplatte

Nach Aushub der Baugrube und Entwässerung (ggf. Drainage/Schüttung) wird eine Betonfundamentplatte (C16/20) mit Bewehrung (Baustahlmatte Q 188A) erstellt. Wir empfehlen eine Dicke der Bodenplatte von 15 cm, ihre genaue Dicke – sowie die Dicke der Kiesschüttung – sollte jedoch ein Baufachmann bestimmen.



**Die Bodenplatte sollte rundherum um etwa 10 cm größer als die Abmessungen des Pools ausgeführt werden und sie sollte waagrecht ohne Gefälle sein.**

Auch hier gilt, dass die Bodenplatte sowohl rechteckig als auch in Form des Pools ausgeführt werden kann.



**Achtung:** Halten Sie die Abbindezeit des Betons ein (gewöhnlich 28 Tage). Eine kürzere Abbindezeit kann nur ein Baufachmann verantworten.

### 3.3 Baugrube für einen ovalen Pool

#### 3.3.1 Grundriss und Abmessungen: Pool und Stützwand

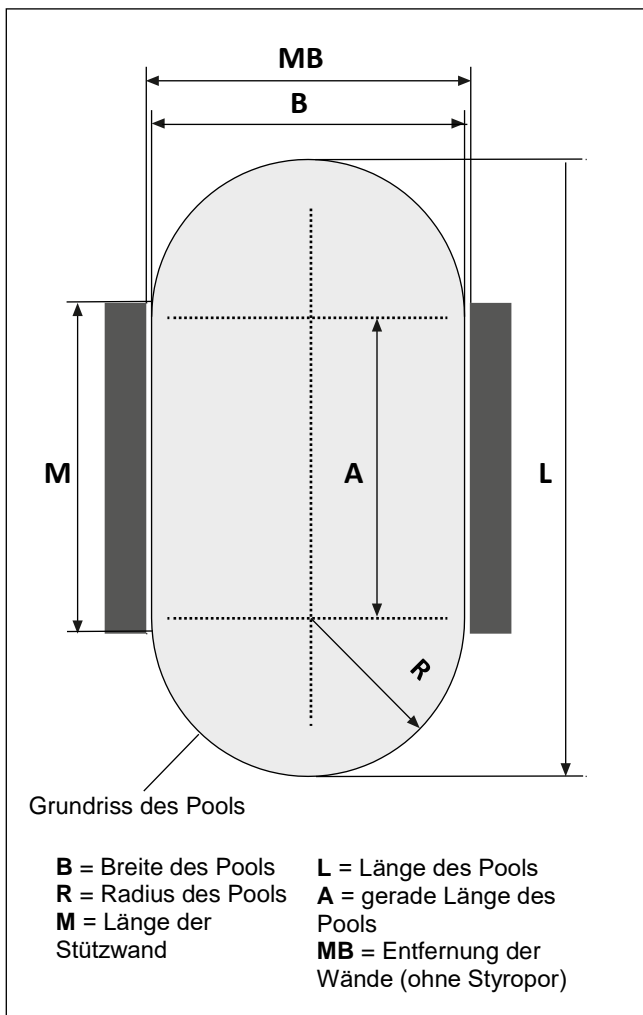


Abb. 7

Pool			Stützwand	
B x L [m]	A [m]	R [m]	MB [m]	M [m]
3,20 x 5,25	2,05	1,60	3,24	2,25
3,20 x 6,00	2,80	1,60	3,24	3,00
3,50 x 7,00	3,50	1,75	3,54	3,70
4,16 x 8,00	3,84	2,08	4,20	4,04
4,16 x 10,00	5,84	2,08	4,20	6,04
6,00 x 12,00	6,00	3,00	6,04	6,20

#### 3.3.2 Baugrube



Achten Sie beim Aushub der Baugrube darauf, dass im abgerundeten Teil des Beckens, in dem sich der Skimmer und die Düsen befinden, mindestens 50 cm Arbeitsfläche verbleiben, damit die Einbauteile später in die Beckenwand eingesetzt und durch Rohre angeschlossen werden können.

An der gegenüberliegenden Seite oder an den Längsseiten sind jeweils 30 cm ausreichend.

Hierbei ist zu beachten, dass die nachträgliche Hinterfüllung direkt hinter den Stahlwänden (mit Ausnahme des Bereiches der Stützwände) mit Magerbeton in der Dicke von 15–30 cm erfolgen muss, ggf. durch Hintermauern.

#### Empfohlene Abmessungen der Baugrube:

Pool	Abmessungen der Baugrube
B x L [m]	B x L [m]
3,20 x 5,25	4,30 x 6,25
3,20 x 6,00	4,30 x 7,00
3,50 x 7,00	4,60 x 8,00
4,16 x 8,00	5,25 x 9,00
4,16 x 10,00	5,25 x 11,00
6,00 x 12,00	7,10 x 13,00

Der Einfachheit halber wird die Baugrube normalerweise in Rechteckform ausgehoben. Natürlich kann der Aushub auch so ausgeführt werden, dass er dem Grundriss des Pools entspricht (mit dem entsprechenden Abstand).

Die Tiefe der Baugrube hängt von der Dicke der Bodenplatte und der Kiesschüttung ab sowie von der Tiefe des Pools.

#### Die Regel lautet:

Schüttung (Schotter)  
 + Betonplatte  
 + Tiefe des Pools  
 = **Aushubtiefe**

Die Dicke der Bodenplatte beträgt gewöhnlich 15 cm, die Dicke der Schüttung ca. 5 cm (die genaue Dicke bestimmt die Baufirma in Abhängigkeit vom Untergrund).

Der Überstand des Pools über Geländeoberfläche darf max. 1/3 seiner Gesamthöhe betragen. Gewöhnlich wird die Oberkante des Beckens in Geländehöhe angeordnet und der Rand des Pools wird anschließend mit Randsteinen abgedeckt.



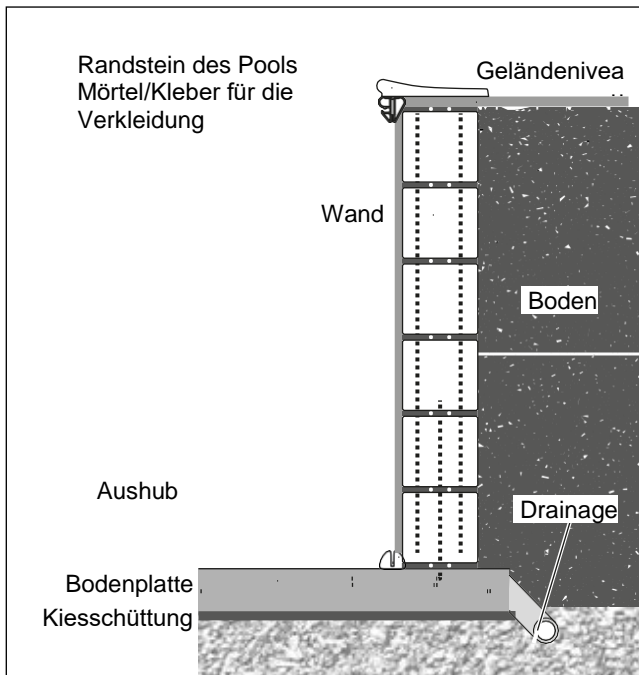


Abb. 8

Nach Aushub der Baugrube und Entwässerung (falls nötig nach Drainage/Schüttung) wird eine Betonfundamentplatte (C16/20) mit Bewehrung (Baustahlmatte Q188A) erstellt. Wir empfehlen eine Dicke der Bodenplatte von 15 cm, ihre genaue Dicke – sowie die Dicke der Kiesschüttung – sollte jedoch ein Baufachmann bestimmen.



Die Bodenplatte sollte rundherum um etwa 10 cm größer als die Abmessungen des Pools / der Stützwand ausgeführt werden und sie sollte waagrecht ohne Gefälle sein.

#### Abmessungen der Bodenplatte

Pool	Bodenplatte (min.)
B x L [m]	B x L [m]
3,20 x 5,25	3,90 x 5,50
3,20 x 6,00	3,90 x 6,25
3,50 x 7,00	4,20 x 7,25
4,16 x 8,00	4,86 x 8,25
4,16 x 10,00	4,86 x 10,25
6,00 x 12,00	6,70 x 12,25



**Wichtig:** Befindet sich das Filtersystem nicht direkt am Becken, müssen gleichzeitig die Gräben für die verlegten Rohre ausgehoben werden. Sie sollten ca. 40–50 cm breit und ca. 100 cm tief sein. Falls die Rohre vor dem Winter vollständig entleert werden können, indem das Wasser am tiefsten Punkt der Leitung abgelassen wird, können die Rohre weniger tief und mit Gefälle zum Entleerungspunkt verlegt werden.

Zu diesem Zweck wird empfohlen, an der entsprechenden Stelle ein großes Kunststoff- oder ein ähnliches Rohr mit einem Innendurchmesser von mindestens 160 mm vorzubereiten.

Gegebenenfalls sind auch Gräben für die Solarwärmeleitung (von der Filteranlage zur Solarwärmanlage) und die Stromversorgungskabel durchzuführen.

#### 3.3.2 Bodenplatte

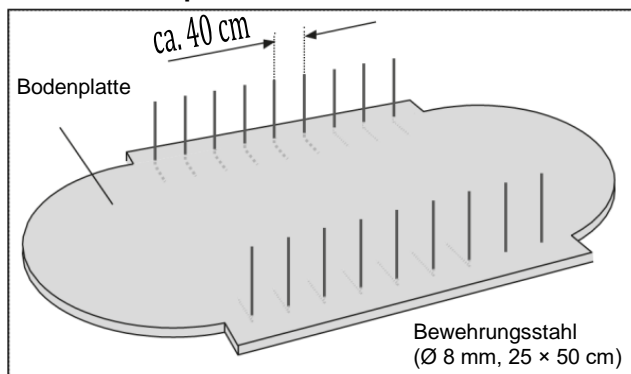


Abb. 9

Auch hier gilt, dass die Bodenplatte sowohl in Rechteckform als auch in Form des Pools ausgeführt werden kann.



**Wichtig:** Es wird empfohlen in die noch feuchte Bodenplatte auch die Anschlussbewehrung einzulegen. Diese besteht aus 8 mm abgewinkeltem Baustahl in Länge von ca. 25 x 50 cm.

Am besten nimmt man einen der Betonhohlsteine für die Stützwand und drückt den Grundriss der späteren Stützwand in den feuchten Beton. In jede der jetzt sichtbaren Innenkammern des Abdrucks wird mittig ein Bewehrungsstahl eingelegt (siehe Abb. 10).

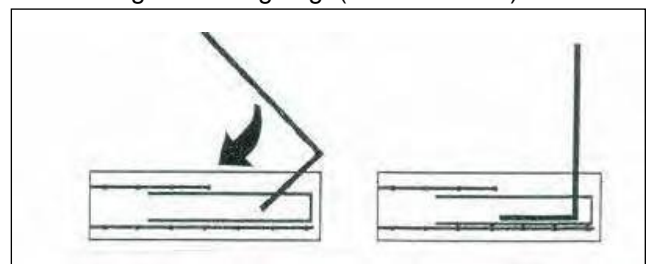


Abb. 10

### 3.3.3 Bau der Stützwände

Sobald die Bodenplatte begehbar ist, werden die beiden seitlichen Stützwände errichtet. Jede Reihe Betonhohlsteine wird mit Beton verfüllt (C16/20) und vertikal und horizontal mit Baustahl bewehrt ( $\varnothing$  8 mm). Achten Sie beim Mauern auf das Versetzen der Fugen und die genau lotrechte und gerade Errichtung sowie auf genaue Parallelität der beiden Stützwände.

Die Höhe der Stützwände hängt von der Höhe des Pools ab – siehe angeführte Skizzen.

Um die Stahlwand sicher an der Stützmauer zu befestigen, ist es ratsam, die oberen 1 bis 2 Reihen aus Vollsteinen, z. B. aus Ziegeln zu bauen, da die Erfahrung zeigt, dass die Befestigungsschrauben darin besser halten. Wenn die Befestigung in gefüllten Hohlsteinen erfolgen soll, empfiehlt es sich, besonders lange Schrauben zu verwenden, um in den Betonkern zu gelangen.



**Achtung: Konsultieren Sie einen Baufachmann. Für Fehler bei der Montage und Beschädigungen, die bei fehlerhafter Errichtung der Stützwände entstehen, haften wir nicht!**

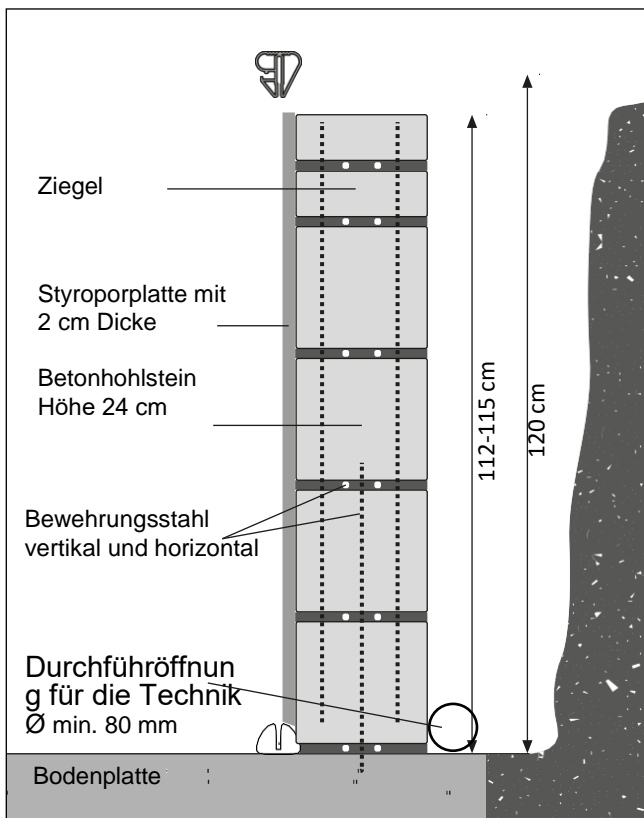


Abb. 11

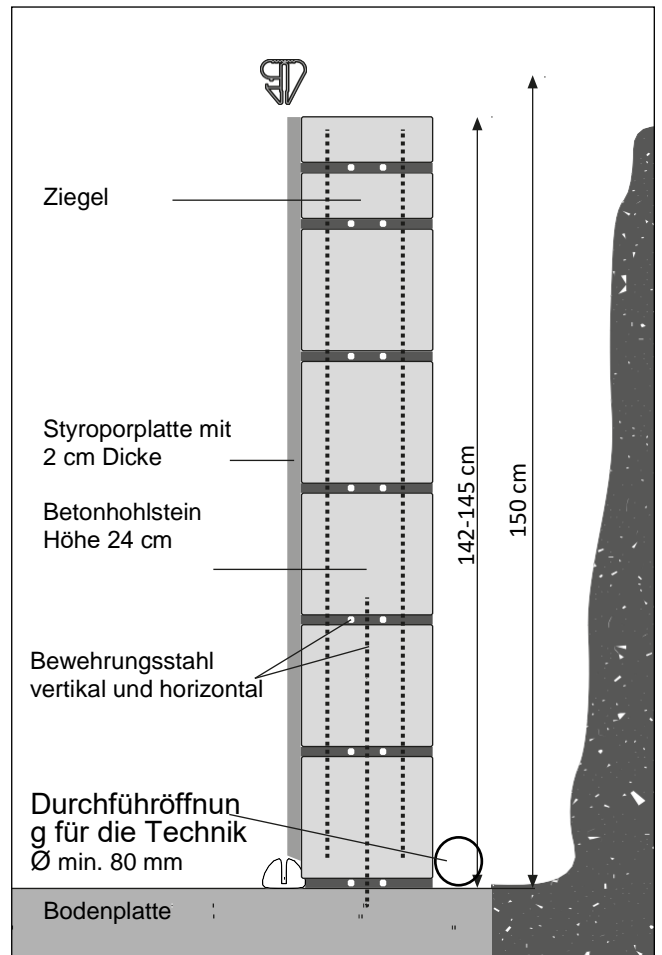


Abb. 12



**Achtung: Halten Sie die Abbindezeit des Betons ein (gewöhnlich 28 Tage). Kürzere Abbindezeiten kann nur ein Baufachmann verantworten.**

Die Höhe der Wand darf keinesfalls die Höhe von 115 cm (bei Beckenhöhe 120 cm) bzw. 145 cm (bei Beckenhöhe 150 cm) überschreiten, andernfalls kann der Handlauf nicht mehr ordnungsgemäß montiert werden.

Diese Maße verstehen sich ab Oberkante der fertigen Bodenplatte.

Mit einem für Styropor geeigneten Kleber werden an der Innenseite der Stützwand 20 mm starke Styroporplatten befestigt, wobei über der Bodenplatte 25 mm Abstand für die Bodenprofilschiene gelassen werden muss (siehe Abb. 13).

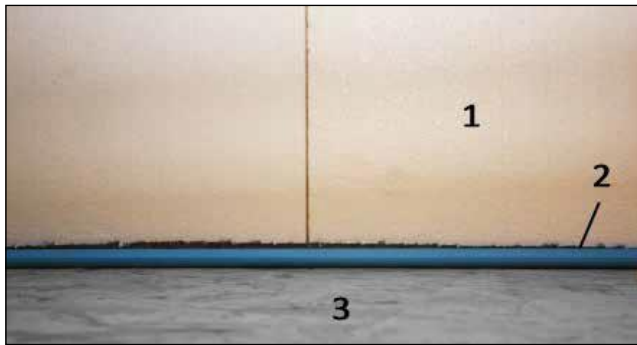


Abb. 13

- 1) Styroporplatte
- 2) Bodenprofilschiene
- 3) Bodenplatte



**Wichtig:** Wenn Poolleuchten installiert werden sollen, müssen die Durchbrüche für deren Installation geschaffen bzw. bereits während des Baus der Stützwand vorbereitet werden. Hinweise des Herstellers beachten.

## 4 Aufstellung des Pools

### 4.1 Aufstellung eines runden Pools

In Abhängigkeit von der Größe des Beckens sollte die Aufstellung von 3–4 Personen bei Windstille durchgeführt werden. Bei der Aufstellung der Stahlwand empfehlen wir das Tragen von Handschuhen.

Zeichnen Sie vorher den Umriss des Pools auf den Boden. Dies vereinfacht wesentlich die Aufstellung des Pools. Zu diesem Zweck befestigen Sie eine Schnur an einem im Mittelpunkt des  $\emptyset$  eingeschlagenen Nagels und messen Sie den Radius ( $r = \emptyset/2$ ). Markieren Sie auf dem Boden (z. B. mit Kreide oder einem Zimmermannsbleistift, siehe Abb. 14 und Abb. 15) eine Linie, die den mit einer Schnur abgemessenen Radius darstellt. Die Bodenschienen und die Handläufe sind im Lieferumfang enthalten und befinden sich in der gerollten Stahlwand.



Abb. 14



Abb. 15

#### 4.1.1 Montage der Bodenprofilschienen

Verbinden Sie die einzelnen Bodenschienen (ca. 20 mm breit) mit Hilfe von Verbindungsrohren und legen Sie die geschlossene Poolkontur auf dem Boden aus. Richten Sie sich nach dem angerissenen Grundriss. Kontrollieren Sie die genauen Maße und die Symmetrie.



**Profi-Tipp zur Montage der Bodenprofilschienen und später auch der Handläufe:** Wenn die Verbindungsstifte auf einer Seite geschmiert werden, lassen sich die Segmente leichter verbinden.

Dazu werden die Stifte zunächst in ein Teil eingeführt und anschließend wird die noch vorstehende Seite (siehe Abb. 16) eingefettet und die Schienen werden zusammengefügt (siehe Abb. 17).



**Profi-Tipp zum Kürzen der Bodenprofilschienen:** Verbinden Sie zuerst alle Schienen und richten Sie sie gemäß dem angerissenen Grundriss aus. Eventuelle Überstände nur bei aufgebauter Stahlwand kürzen, denn nur dann sind die Maßunterschiede deutlich sichtbar und können angepasst werden.

Die genaue entsprechende Vorgehensweise ist auf den Abb. 28–30 auf Seite 13 beschrieben.



Abb. 16



Abb. 17



Abb. 18

## 4.2 Aufstellung eines ovalen Pools

Zeichnen Sie vorher den Umriss des Pools auf den Boden. Die halbkreisförmige Rundung markieren Sie am besten mit Hilfe einer Schnur, die um einen Nagel in der Mitte des Durchmessers gewickelt ist. Zeichnen Sie die Linie mit einem Zimmermannsbleistift oder Kreide. Die Abmessungen des Pools, einschließlich des Radius, finden Sie auf Abb. 7 auf Seite 7.

### 4.2.1 Montage der Bodenprofilschienen

Zuerst verbinden Sie die geraden Teile der Bodenschienen (ca. 20 mm breit). Legen Sie die Bodenschienen direkt vor die Wand in die Spalte im Styropor und richten Sie die Schienen mittig zur Wandlänge aus. Die Wand ist unwesentlich länger.



**Profi-Tipp zur symmetrischen Anordnung der geraden Schienen:** Messen Sie den Abstand der diagonal gegenüberliegenden Endpunkte der Leisten (gegenseitig über Kreuz). Bei symmetrisch verlegten Leisten ist dieser Abstand gleich. Siehe Abmessungen auf Abb. 19.

Verbinden Sie die gebogenen Teile der Bodenschiene und ergänzen Sie mit ihnen die runden Teile an den Stirnseiten. Richten Sie sich nach dem angerissenen Grundriss.

Kontrollieren Sie die genauen Maße und die Symmetrie.



**Profi-Tipp zum Kürzen der Bodenprofilschienen:** Verbinden Sie zuerst alle Schienen und ordnen Sie sie gemäß dem Grundriss an. Eventuelle Überstände nur bei aufgebauter Stahlwand kürzen, denn nur dann sind die Maßunterschiede deutlich sichtbar und können angepasst werden. Siehe Teil 4.4.

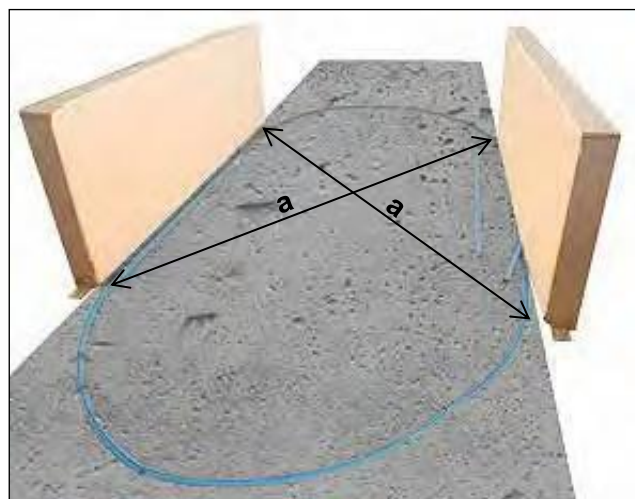


Abb. 19

### 4.3 Aufbau der Stahlwand

Um in das Innere des Pools zu gelangen, brauchen Sie für die nächsten Schritte des Montageprozesses die zusammengebaute Poolleiter oder eine andere Leiter.

Achten Sie jedoch später bei der Montage der Folie darauf, dass die Bauleiter die Folie nicht beschädigt. Bringen Sie außerdem vor der Installation der Poolwand die gewickelte Stahlwand ins Innere der Poolfläche.

Platzieren Sie mit Ihren Helfern die Stahlwand ungefähr an der Stelle, wo später der Skimmer (Oberflächenabsauger) montiert werden soll, auf starke Bretter und Pappe, damit sich die Stahlwand beim Abwickeln besser zieht (siehe Abb. 20). Die Stahlwand sollten Sie beim Abwickeln auf keinen Fall über die Betonplatte ziehen, da sie dadurch beschädigt werden könnte.



Abb. 20



Die Stahlwand wird werksseitig stets Richtung nach innen aufgewickelt, bei der gerollten Stahlwand ist also ihre Außenseite sichtbar.

Sie wickeln die Stahlwand also in der gleichen Richtung ab, in der sie aufgerollt ist.

Weiterhin ist es wichtig, beim Abrollen und Aufbau der Stahlwand Handschuhe zu tragen und die Stahlwand mit einem Gurt oder Ähnlichem zu sichern (Verletzungsgefahr!) (siehe Abb. 21).



Abb. 21

Die Aussparung für den Skimmer befindet sich normalerweise am Anfang der sich abwickelnden Stahlwand (ca. 1–2 m vom Anfang entfernt); bei mehreren Stahlwandpaketen ist auf der Verpackung angeführt an, um welchen Teil der Stahlwand mit welchen Aussparungen für konstruktive Teile es sich handelt.



Abb. 22



Abb. 23

Wickeln Sie die Stahlwand ab und schieben Sie sie in die Profilschienen (siehe Abb. 22–23). Die Aussparung für den Skimmer muss am erforderlichen Platz angeordnet werden (so nah wie möglich beim Filter).

Die Einlaufdüse befindet sich links vom Skimmer (von außen betrachtet).

Falls an einer Seite der Stahlwand eine Verbindungsschiene aufgesetzt wurde, muss diese herausgeschoben werden.

Bei größeren Pools ist die Stahlwand in 2 Teile unterteilt, d. h. die Verbindung mit Aufschubprofil erfolgt zweimal.



Wichtiger Tipp: Damit die Stahlwand provisorisch hält, können beim Aufbau einige Teile des Handlaufes aufgesetzt werden (siehe Abb. 24).



Abb. 24

Bei ovalen Becken kann die Stahlwand an den Längsseiten vorübergehend mit Schraubzwingen an den Stützwänden befestigt werden.



Abb. 25



Abb. 26

Achten Sie immer darauf, dass die Stahlwand fest in der Bodenprofilschiene steht.

#### 4.4 Anpassung der Bodenprofilschiene und Verbindung der Wandenden mit dem Aufschubprofil

Der Abstand zwischen den Enden der Stahlwand sollte 5 mm betragen, damit das Aufschubprofil die beiden Enden der Stahlwand verbinden kann. Dies ist bei der Anpassung/Kürzung der Bodenprofilschiene zu beachten.



Abb. 27

##### Kürzen der Bodenprofilschienen:

Spannen Sie die Stahlwand und messen Sie einen eventuellen Überstand der Bodenprofilschiene. Ziehen Sie danach die Stahlwand wieder etwa 50 cm aus den Bodenprofilschienen und kürzen Sie die Bodenprofilschiene entsprechend (achten Sie darauf, dass zwischen den Enden der Stahlwand ein Abstand von 5 mm für das Aufschubprofil verbleibt; siehe oben).



Wichtiger Tipp: Die Schiene wird stets im Bogenteil gekürzt. Falls um mehr als 5 cm gekürzt wird, wird aus Gründen der Symmetrie empfohlen, 2 Schienen zu kürzen, in jedem Bogen eine, und zwar um jeweils die Hälfte des Gesamtüberstands.

Dann setzen Sie die Stahlwand wieder ganz ein und ziehen Sie das Aufschubprofil auf (siehe Abb. 28–30).



Abb. 28



Abb. 29

Je nach Pool kann das Aufschubprofil eine abgeschrägte Seite haben. In einem solchen Fall setzen Sie das Aufschubprofil so auf, dass die abgeschrägte Seite nach innen und nach oben zeigt. Falls keine Seite abgeschrägt ist, spielt die obere oder untere Seite keine Rolle.



Abb. 30

Durch leichtes Hin- und Herbewegen des Profils beim Aufschieben können Sie seine Beweglichkeit verbessern. Das Aufschieben des Profils erleichtert die Benutzung eines Gummihammers.



Abb. 31

Bei inkorrektem Aufschieben und gewaltsamem Schlagen auf das Aufschubprofil kann es zur Beschädigung der Stahlwand (Einschränkung der Garantie) und der Stabilität des Pools kommen.



Abb. 32



Abb. 33

Zum Schutz der inneren Poolfolie vor Beschädigung sollte das Aufschubprofil von innen mit Klebeband überklebt werden.

Ergänzende Anweisungen zu ovalen Pools:

#### **Befestigung der Stahlwand**

Die folgende Erklärung setzt voraus, dass die Höhe der Stützwände der Beschreibung auf Seite 9 entspricht. Im Bereich der Stützwände ist die Stahlwand mit Schrauben an der Kante der Stützwand zu befestigen (bei 120 cm Poolhöhe 110 cm vom Boden befestigen, bei 150 cm Poolhöhe 140 cm vom Boden). Die Befestigung muss in einer waagerechten Linie erfolgen. Benutzen Sie zu diesem Zweck Schrauben, Dübel und Metallwinkel, die Teil der Lieferung sind (siehe Abb. 34).



Abb. 34

Bohren Sie in der Stahlwand die entsprechenden Löcher. Schleifen Sie deren Kanten und behandeln Sie sie mit einem Rostschutzanstrich.



Abb. 35



Abb. 36



Abb. 37

Die Stahlwand wird so direkt an der Stützwand befestigt.

Zum Schutz der inneren Poolfolie decken Sie die Schraubenköpfe mit Klebeband ab, das PVC-verträglich ist (z. B. Paketklebeband).

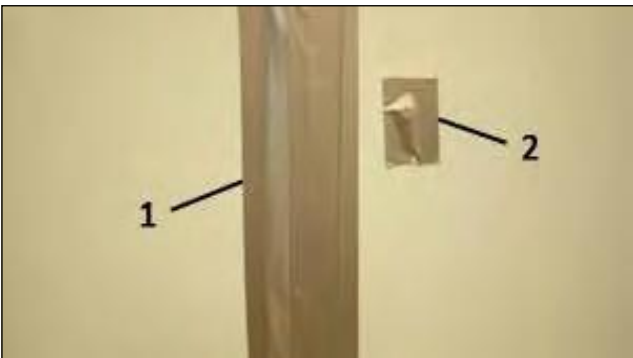


Abb. 38



**Achtung:** Kontrollieren Sie, ob das Becken völlig waagrecht aufgestellt ist. Bei Höhenunterschieden von mehr als 2 cm erlischt die Garantie des Herstellers. Stellen Sie in einem solchen den Grund fest und beheben Sie das Problem, z. B. durch Ausbesserung des Untergrunds.

## 4.5 Vorbereitung von Öffnungen für Einbauzubehör

**Hinweis:** Halten Sie auch eine eventuelle entsprechende Montageanleitung des Herstellers ein, wenn sie den Einbauteilen beiliegt. Bei Unklarheiten den Hersteller kontaktieren.

### 4.5.1 Skimmer (Oberflächenabsauger)



Abb. 39

- 1) Skimmerkörper      2) Saugplatte
- 3) Teflonband      4) Schlauchreduzierung
- 5) Doppelte Dichtung      6) Düse

Die Beckenstahlwand kann eine bereits bei der Herstellung vorbereitete Aussparung für den Skimmer aufweisen. Falls nicht, sind die entsprechenden Öffnungen in der Wand auszuschneiden und zu bohren.

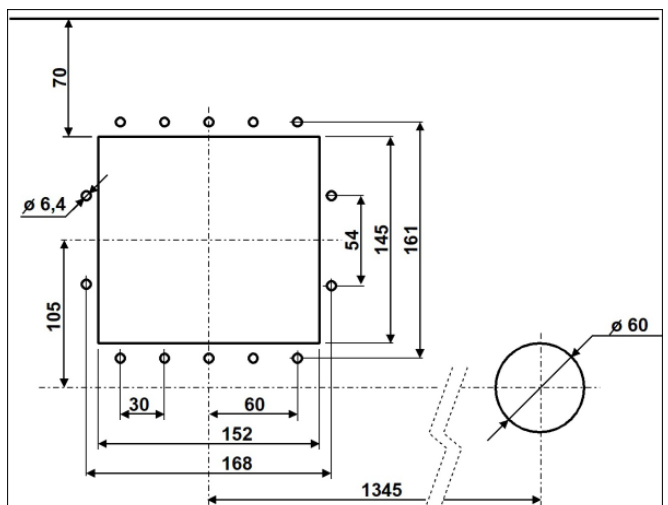


Abb. 40



Die Abbildung oben zeigt die Abmessungen eines Standardskimmers zum Anschluss mittels Poolschläuchen Ø 38 mm. Falls ein anderer Skimmer genutzt wird, sind die richtige Schablone bzw. die richtigen Abmessungen und Abstände zu nutzen.

Vor Beginn der Montage empfehlen wir, die Schnittkanten zu schleifen und mit Rostschutzmittel oder Plastikfarbe zu behandeln.



Abb. 41

Falls die Rohre gleich ausgeführt werden sollen, empfiehlt sich den Skimmerkörper schon jetzt zu montieren. Dazu schieben Sie die Doppeldichtung über die Stahlwand (siehe Abb. 43), halten Sie den Skimmer von draußen an der Öffnung fest und fixieren Sie ihn von innen mittels der Sicherungsschrauben mit Rundkopf (siehe Abb. 45). Falls 2 einzelne Dichtungen (anstelle der gängigen Doppeldichtung des Skimmers) Teil der Lieferung sind, müssen sie ebenfalls in der Reihenfolge Skimmerkörper – Dichtung – Stahlwand – Dichtung – Poolfolie – Flansch des Skimmers eingebaut werden.

Das Gleiche gilt für die Dichtung der Einlaufdüse/Einlaufdüsen (weitere Informationen auf Seite 24 im Teil „Montage von Einbauteilen“).

Unter gewissen Umständen kann es erforderlich sein, in der Stahlwand weitere Öffnungen zu schaffen (und diese mit Rostschutzmittel zu behandeln), weil die Schraubenlöcher nicht immer vorgebohrt sind.

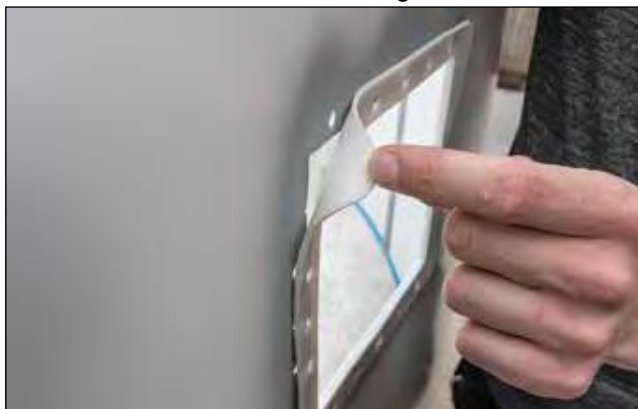


Abb. 42

Falls die Rohre später installiert werden können, lässt sich der Skimmer auch erst bei der Montage der Folie montieren (siehe Seite 20).



Abb. 43



Abb. 44



Flanschschraube

Sicherungsschraube

Abb. 45



Abb. 46



Abb. 48

#### 4.5.2 Einlaufdüse

Bei unseren IBIZA-Pools wird in der Regel 1 Einlaufdüse verwendet, die neben dem Skimmer angeordnet ist. Auch hier behandeln Sie die Kanten mit Rostschutzmittel.



Abb. 47

##### 4.5.2.1 Einlaufdüsen für starre Rohre (bei Bodeneinbau)



**Sehr wichtig bei Einlaufdüsen für starre Rohre: Der Düsenkörper muss bereits jetzt, vor der Montage der Folie, verwendet werden, weil es sich um hochwertige, Spezial-Einlaufdüsen mit Flansch auf der Beckenseite handelt, was – im Unterschied zu gängigen Düsen – den späteren Austausch der Folie wesentlich vereinfacht.**

Für die Endmontage der Düse ist der Flansch nötig ⑦. Wenn der Flansch nicht gleich zu finden ist, ist er wahrscheinlich in die Abdeckung eingesteckt ⑥. Durch leichtes Drücken/Biegen der Abdeckung lösen Sie den Flansch und anschließend montieren Sie ihn (siehe Abb. 48).



Abb. 49

- |                          |                     |
|--------------------------|---------------------|
| 1) Stelling              | 2) Öffnung der Düse |
| 3) Düsenkörper           | 4) Sicherungsmutter |
| 5) Schrauben             | 6) Abdeckung        |
| 7) Flansch               | 8) Dichtung         |
| 9) Dichtung ohne Öffnung |                     |

Wenn zur Einlaufdüse eine weitere Dichtung ohne Löcher gehört ⑨, wird diese bei einem Stahlwandbecken nicht genutzt.



Abb. 50

Eine der beiden selbstklebenden Dichtungen kleben Sie nun auf den Rahmen des Düsenkörpers.



Abb. 51



Abb. 52

Der Düsenkörper wird nun von innen durch den Ausschnitt in der Stahlwand gesteckt.

Anschließend setzen Sie von hinten (Außenseite des Pools) die Sicherungsmutter auf das Gewinde der Düse und schrauben Sie sie fest.



Abb. 53



Die Einlaufdüsen mit Schlauchverbindung 32/38 mm werden erst mit der Folie montiert (siehe Seite 24).

#### 4.6 Verlegung der Geotextilunterlage

Der Aufbau des Pools muss rechtzeitig abgeschlossen werden, andernfalls kann es zu seinem Einsturz kommen. Falls dies aufgrund des Wetters oder anderen Gründen nicht möglich ist, wird empfohlen, die Unterlage vorerst nicht zu benutzen und die Poolwand ausreichend gegen Windeinfluss zu schützen.

Zum Schutz der inneren Poolfolie vor direktem Kontakt mit dem Untergrund und dem in diesem gegebenenfalls enthaltenen Materialien, die das PVC schädigen zu schützen, empfehlen wir die Nutzung einer Geotextilunterlage oder einer Schutzfolie.

Die Geotextil-Schutzunterlage kann jedoch nur schützen, sie kann keine Unebenheiten ausgleichen. Vor der Verlegung der Unterlage muss der Untergrund gründlich gereinigt werden.

In einigen Fällen ist die Unterlage bereits auf die Poolgröße zugeschnitten. Falls die Unterlage in Rollen geliefert wurde, verlegen Sie sie in Streifen und befestigen Sie sie mit Klebeband.



Abb. 54



Abb. 55

Schneiden Sie die Unterlage etwa 10 cm größer zu, als die Abmessungen des Pools, und lassen Sie sie rundherum an den Poolwänden etwa 5 cm hoch überstehen. Für kleine Randbereiche lassen sich Reststücke verwenden. Ziehen Sie den Überstand über die Bodenschiene und kleben Sie die Ränder der Unterlage mit Klebeband an der Stahlwand fest.



Abb. 56



Abb. 57

Glätten Sie die Unterlage und verkleben Sie die Stöße der einzelnen Streifen gleichfalls mit Klebeband.



Profi-Tipp zur Verlegung der Unterlage: Anschließend müssen im ovalen Teil der Unterlage aller 20–25 cm kleine Keile ausgeschnitten werden, um überschüssiges Material zu entfernen, gegebenenfalls um ein Überlappen der Unterlage zu verhindern (siehe Abb. 58–59).



Abb. 58



Abb. 59



Abb. 60

Eventuelle Falten und Knicke in der Unterlage, die beim Transport und bei der Lagerung entstehen können, werden mit der Zeit durch den Wasserdruck von selbst geglättet.

## 4.7 Einhängen der inneren Poolfolie und Montage des Handlaufes



**Achtung: Führen Sie die Montage der inneren Poolfolie bei Temperaturen zwischen +15 und +25 °C aus, auf keinen Fall bei starker Sonneneinstrahlung!**

Falls die Temperatur zu hoch ist: Die Folie ist weich, elastisch, zu groß. Falls die Temperatur zu niedrig ist: Die Folie ist hart, nicht elastisch, zu klein (die Größenunterschiede betragen im Ø bis zu 50 cm!).

Wenn die Unterlage angebracht ist, sollte das Innere des Pools nur mit sauberen Schuhen oder Socken betreten werden. Außerdem sollte der gesamte Innenraum des Pools nochmals gereinigt werden (z. B. durch Staubsaugen, siehe Abb. 61).



Abb. 61

Jetzt legen Sie die Poolfolie in die Mitte und breiten Sie sie so aus, dass die Bodennähte gleich weit von der Stahlwand entfernt sind, da die Folie etwas kleiner als das eigentliche Becken ist.



Achten Sie darauf, dass sich die senkrechte Schweißnaht nicht im Bereich des Skimmers, der Einlaufdüsen oder der Leuchten befindet, weil sonst die Dichtheit nicht garantiert ist.



**Achtung: Betreten Sie die Poolfolie nur barfuß oder mit geeignetem Schuhwerk.**



Abb. 62



Abb. 63

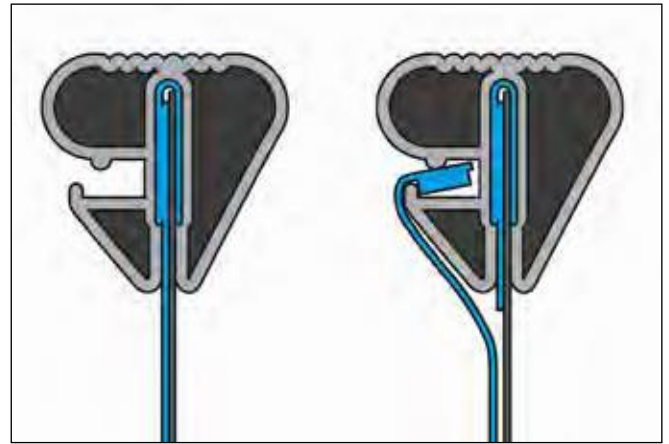
Unabhängig vom Handlauf ist an der inneren Poolfolie stets ein Einhängeprofil angeschweißt, eine sog. Einhängebiese (siehe Abb. 64).



Abb. 64

### Anmerkung zum Handlauf:

Die seitliche Keilnut am Spezial-Handlauf ist erst für einen späteren Austausch der Poolfolie erforderlich, wenn auf dem Handlauf Randsteine verlegt sind. Dazu wird die alte Folie entlang des Handlaufes abgeschnitten, wobei das verbleibende Einhängeprofil weiterhin zum Schutz der Kante dient. Erst die zweite innere Poolfolie, die kein Einhängeprofil, sondern eine Keilprofil hat, wird in die Nut des Handlaufes eingehängt.



(Beispiel des kombinierten Spezial-Handlaufes)

Den Rand der Folie mit angeschweißtem Einhängeprofil stecken Sie auf die Kante der Stahlwand auf und fixieren Sie die Folie mit mehreren Teilen des Handlaufes (siehe Abb. 65–67).



Abb. 65



Abb. 66



Abb. 67

Montieren Sie den Handlauf erst nach gleichmäßiger Ausrichtung der Schweißnähte komplett.

#### 4.7.1 Aufstecken des Handlaufs (allgemein)

Setzen Sie die Teile des Handlaufs mittels Verbindungsstiften und Schlägen mit der Hand oder mit einem Gummihammer auf dem Rand des Beckens zusammen. Dabei spannen Sie das Einhängeprofil ein. Falls nötig kürzen Sie die Teile des Handlaufs (siehe Abb. 68–70).



Abb. 68



Abb. 69



Abb. 70



Profi-Tipp: Teil der Lieferung des Aluminium-Handlaufs sind 2 Kunststoffabdeckungen. Beim Befüllen des Pools kann es dazu kommen, das resultierend aus der Dehnung der Stahlwand auf der einen oder anderen Seite eines Handlaufsegments eine Fuge entsteht. Nach Fertigstellung des Pools benutzen Sie die Abdeckungen dazu, diese Stellen zu verdecken.

Die Verbindungen eines Kunststoffhandlaufs decken Sie mit Blechabdeckungen ab (falls diese Abdeckungen Teil der Lieferung sind).

#### 4.7.2 Glätten von Falten



Sofern am Wandteil der Auskleidung Querfalten entstehen, lassen sich bei einem teilweise fixierten Handlauf diese durch Verschieben glätten.

Schieben Sie die Falten vom Boden Richtung außen zur Poolwand. Achten Sie vor allem darauf, dass die Schweißnaht der Auskleidung zwischen Boden und Wand genau in der Ecke Boden/Pool liegt. Die Schweißnähte der Auskleidung sollten vor dem Befüllen des Pools überall den gleichen Abstand von den Poolrändern haben und die Auskleidung sollte nach Möglichkeit keine Falten mehr haben. Weil die innere Poolfolie so angefertigt ist, dass sie etwas kleiner als die Abmessungen des Beckens ist, da die durch Einwirkung von Temperatur und Wasserdruck verursachte Dehnung berücksichtigt wird, ist es erforderlich, dass die Schweißnähte zur Poolwand einen gleichmäßigen Abstand haben.



Abb. 71



Abb. 72

Nach der endgültigen Montage des Handlaufes kann eine Korrektur der verbleibenden Falten auf dem Boden erfolgen, indem der Pool ca. 2–3 cm mit Wasser gefüllt wird und die Falten nach außen geschoben werden.



Abb. 73

Wenn Falten der Wand nicht geglättet werden können: Warten Sie auf einen Wasserstand von 20–30 cm, falls das Problem weiterhin besteht, nehmen Sie den Handlauf teilweise ab (Schritt für Schritt, nie völlig!) und verschieben Sie die Poolfolie zur Seite, um die Falten zu reduzieren oder so weit wie möglich zu beseitigen. In diesem Fall muss die innere Poolfolie stets ausreichend gesichert sein, um ein Abrutschen der Folie in den Pool zu verhindern. Falls das alles nicht zum erwünschten Erfolg führt und die Falten eine unzulässige Größe aufweisen würden, bleibt nichts anderes übrig als einen völlig neuen Versuch der Montage der Folie zu starten.



Profi-Tipp: Zum Glätten der Folie um die Wände kann ein handelsüblicher Staubsauger verwendet werden.

Umwickeln Sie das Ende des Schlauches mit Geotextil und kleben Sie dieses am Schlauch mit Klebeband fest – so wird verhindert, dass sich das Schlauchende an der Folie festsaugt. Danach stecken Sie das Schlauchende durch die Skimmeröffnung und schieben Sie es hinter die Folie. Auf den Deckel des Skimmers legen Sie eine Pappe mit einem Loch, durch welches Sie den Schlauch ziehen und umkleben Sie alles mit Klebeband, damit es dicht ist. Bedingung für das Funktionieren ist das abkleben aller übrigen Öffnungen, d. h. Einlaufdüsen und Skimmer von der Außenseite mit Klebeband. Danach schalten Sie den Staubsauger mit in etwa halber Leistung ein. Die Luft wird abgesaugt und die Folie nach und nach gespannt. Nur die verbliebenen Falten an den Orten, an denen die Folie in der Verpackung gefaltet war, müssen noch nachgeglättet werden.



Abb. 74



## 4.8 Montage von Einbauteilen

Wenn der Wasserstand etwa 20 cm unter dem entsprechenden Einbauteil liegt, kann mit dem Anflanschen und der Montage der Einbauteile begonnen werden (ggf. kann die Montage zu Ende geführt werden).

### 4.8.1 Einlaufdüse

Zum Anschluss eines Schlauches 32/38 mm (siehe Abb. 76):

Wenn die Poolfolie geglättet ist, schneiden Sie die Folie knapp vor dem Durchbruch in der Wand für die Einlaufdüse aus (der ausgeschnittene Teil sollte um 5–10 mm kleiner sein als die Öffnung in der Stahlwand). Dann legen Sie die Dichtung zwischen Folie und Stahlwand und schieben Sie die Düse mit der zweiten Dichtung so durch die Öffnung, dass sich vor der Folie und hinter der Folie eine Dichtung befindet. Dann ziehen Sie die Düse mit der Sicherungsmutter auf der Außenseite des Pools fest.

**i** Hinweis: Falls eine Doppeldichtung Teil der Lieferung ist, trennen Sie sie in der Mitte voneinander, damit zwei einzelne Dichtungen entstehen (siehe Abb. 75).



Abb. 75



Abb. 76

### Für feste Rohre 50 mm (siehe Abb. 77):

Wenn die Poolfolie geglättet ist, stechen Sie die Löcher für die Schrauben durch, z. B. mit einer Ahle (siehe Abb. 79). Die zweite Dichtung kleben Sie so auf den Flansch, dass sie sich zwischen Folie und Flansch befindet. Ziehen Sie die Schrauben quer an.

Dann schneiden Sie die Folie gemäß der Öffnung aus (siehe Abb. 83). Danach ziehen Sie die Düsenöffnung und den Stelling erneut an und setzen Sie die Abdeckung auf.

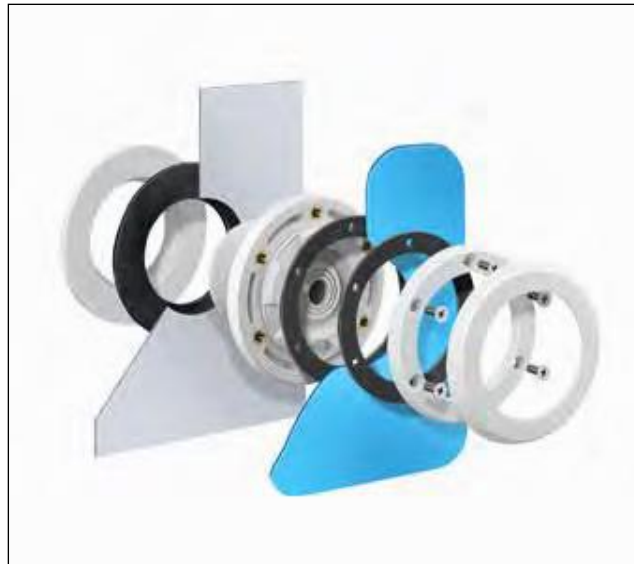


Abb. 77



Abb. 78



Abb. 79



Abb. 80



Abb. 81



Abb. 82



Abb. 83

#### 4.8.2 Skimmer (Oberflächenabsauger)

Stechen Sie die Löcher für die Schrauben durch und schrauben Sie den Flansch über Kreuz fest.

Wird der Skimmerkörper gemeinsam mit der Folie erst jetzt montiert, legen Sie die Doppeldichtung in die Öffnung in der Stahlwand ein, halten Sie den Skimmerkörper von außen, stechen Sie die Löcher für die Schrauben auf der Innenseite durch und verschrauben Sie den Flansch quer.

Jetzt schneiden Sie die Öffnung für den Skimmer aus und setzen sie die Flanschabdeckung auf. An Flansch und Abdeckung ist die Oberseite mit dem Wort „Top“ markiert.

Legen Sie in den Skimmer die Klappe und das Netz ein.



Abb. 84



Abb. 85



Abb. 86



Abb. 87

### Skimmerkorb:

Der Skimmerkorb muss während des Betriebs regelmäßig von Verschmutzungen und Blättern befreit werden, damit das fehlerfreie Funktionieren des Filtersystems gewährleistet ist. Deshalb – und auch zur Absaugung des Bodens – ist es wichtig, dass der Skimmerdeckel leicht zugänglich ist. Es ist darauf zu achten, dass der Skimmerkorb richtig eingesetzt ist, damit er sich nicht hebt und die Skimmerklappe und damit den Wasserdurchfluss blockiert (siehe Abb. 88).

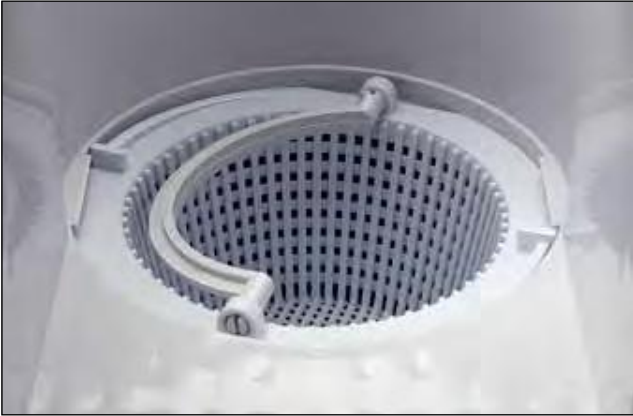


Abb. 88

Verwenden Sie die Saugplatte nur in Verbindung mit dem Schlauch des Bodensaugers, nicht während des normalen Betriebs des Filters!

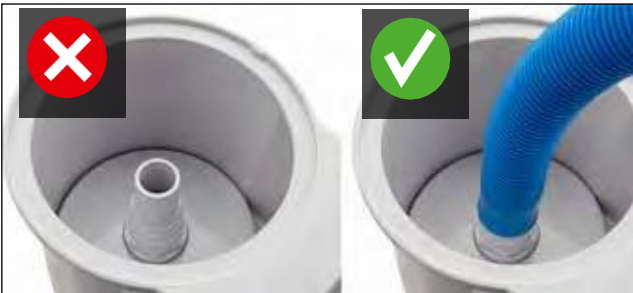


Abb. 89

## 4.9 Abschluss der Installation der Technik

Vor dem vollen Befüllen des Pools mit Wasser und dem Abschluss seiner Montage müssen die einzelnen Elemente der Pooltechnik (Skimmer, Einlaufdüse, Leuchten, Gegenstrom usw.) verbunden/angeschlossen werden.

Die Verbindungsrohre sollten starr oder biegsam mit PVC-Rohr, das dem Erddruck und dem Wasserdruck standhält. Sämtliche Verbindungen sollten entweder zur Kontrolle zugänglich oder nachgewiesen wasserdicht sein. Im Falle einer Filtereinheit über der Wasseroberfläche wird die Installation einer Rückschlagklappe im Saugteil der Filterpumpe empfohlen.

Elektrische Kabel müssen in einem Schutzrohr bis zum Ort des Maschinenraums/Verteilers geführt werden.

## 5 Hinterschüttung mit Trockenbeton

Bei runden Becken wird der gesamte in den Boden eingelassene Teil rundherum mit Trocken-Magerbeton aufgefüllt. Bei ovalen Becken genügt dagegen eine Hinterschüttung an den Stirnseiten, d. h. an den runden Teilen des Pools. Hinter den Stützwänden ist keine Hinterschüttung mit Magerbeton nötig. Nach Abschluss der Installation füllen Sie den aufgebaute Pool mit Wasser. Runde Becken können ganz gefüllt werden. Ovale Becken müssen schrittweise gemeinsam mit der äußeren Hinterfüllung mit Wasser gefüllt werden. Vor der Hinterfüllung mit Beton bringen Sie in den runden Teilen Baufolie und Styroporplatten in die Erde (15–25 mm dick), um die Außenseite der Stahlwand zu schützen.

Hinterschütten Sie die Poolwand in mehreren Schichten (jede in Höhe von max. 50 cm) mit feuchtem Magerbeton C8/10 (oder im Mischverhältnis ca. 1: 10 in Abhängigkeit von der Körnung des Kies). Die untere Schicht sollte in jedem Fall vor dem Aufbringen einer weiteren Schicht ausgehärtet sein. Mittels Schaltafeln u. Ä. können die entsprechenden Betonschichten seitlich begrenzt werden. Nach dem Aushärten werden die Schaltafeln nach oben versetzt, damit die nächste Schicht in ihren Abmessungen angepasst wird.

Gemeinsam mit dem Hinterschütten der runden Stirnseiten eines ovalen Pools mit Beton ist es notwendig, auch die Erde hinter den Stützwänden anzuschütten und zu verdichten, um die gemauerte Konstruktion bei der Aufnahme des Wasserdrucks zu unterstützen.

Der Beton darf nicht zu nass sein und darf nicht gerüttelt oder gestampft werden.

Bei gewachsenem Boden (z. B. bindiger Lehm) muss die Schichtdicke des Betons mindestens 15 cm betragen.

Bei rolligen Böden empfehlen wir eine Betondicke von ca. 30 cm.



Profi-Tipp: Alternativ zum Hinterschütten mit Beton kann der runde Teil des Pools mit Ziegeln ummauert und anschließend der Raum dahinter mit Erde verschüttet und verdichtet werden.



Beim Hinterschütten mit Beton muss der Wasserspiegel stets um mindestens 30 cm höher als die Betonfüllung sein, um den Druck von außen aufzunehmen.

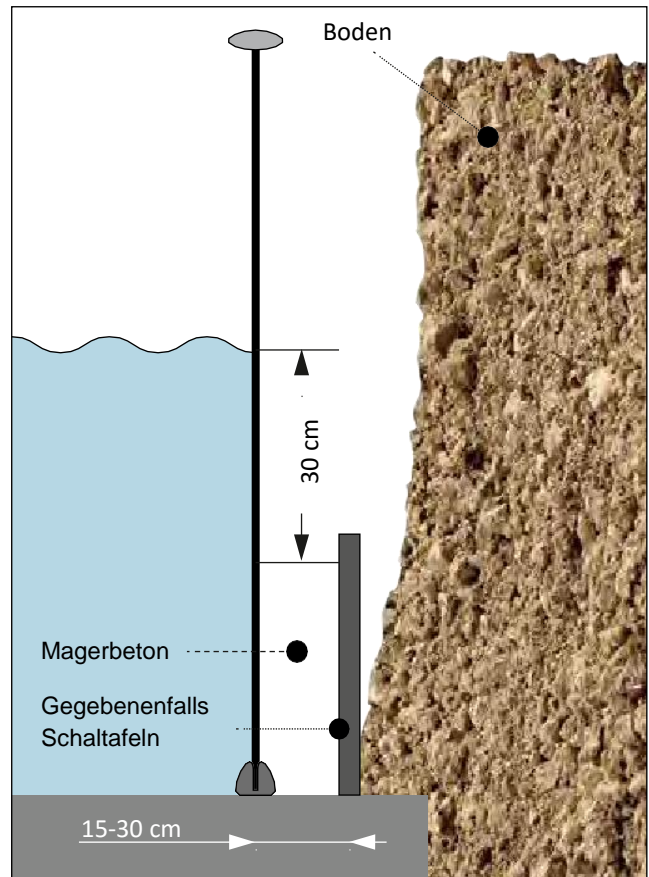


Abb. 90

Achten Sie beim Hinterfüllen des Beckens mit Beton darauf, dass die Beckenwand nicht durch den Druck des Betons verformt wird.

Ebenso sollte ein übermäßiger Druck auf den eingebauten Skimmer vermieden werden, da dies zu Verformungen und anschließendem Verklemmen der Skimmerklappe führen kann. Es wird empfohlen, Styropor o. Ä. um den Skimmer zu verwenden, um den Betondruck an dieser Stelle aufzunehmen. Außerdem sollten jedwede Beschädigungen der Stahlwand vermieden werden, da dies später zu Korrosion der Stahlwand und zum Erlöschen der Herstellergarantie führen kann. Kratzer und ähnliche Beschädigungen an der Stahlwand sollten sofort mit Korrosionsschutzfarbe behandelt werden.

## 6 Sonstiges

### 6.1 Wasserspiegel und Skimmerklappe

Der Wasserspiegel im Pool muss immer nach der Skimmeröffnung eingestellt werden. Optimal ist Mitte bis 2/3 der Skimmeröffnung (siehe Abb. 91). In jedem Fall muss ein zu niedriger Wasserstand vermieden werden, da dies die Filterpumpe beschädigen kann. Auch die freie Bewegung der Skimmerklappe und der korrekte Sitz des Skimmerkorbs müssen immer gewährleistet sein, da sonst möglicherweise kein Wasserdurchfluss stattfindet.

Die Saugplatte kann nur verwendet werden, wenn Sie Schmutz vom Boden aufsaugen und einen Schlauch verwenden, der mit dem Bodenreiniger verbunden ist – siehe unten.

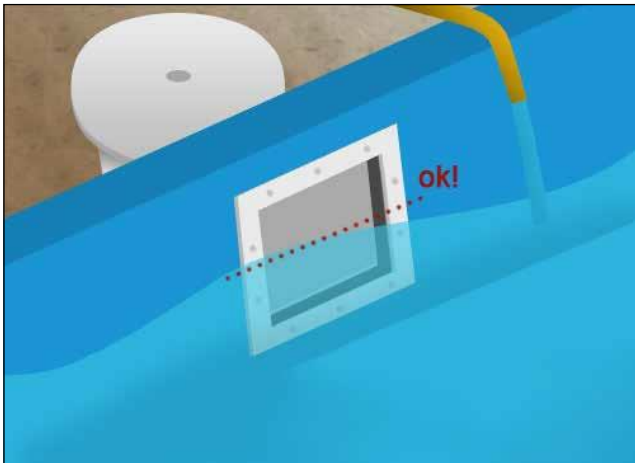


Abb. 91

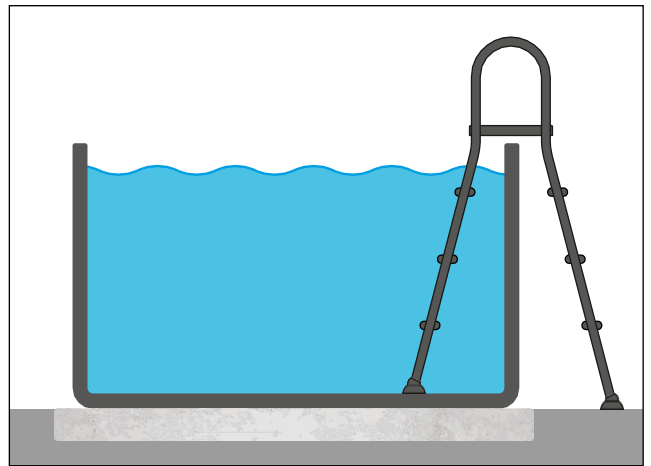


Abb. 92

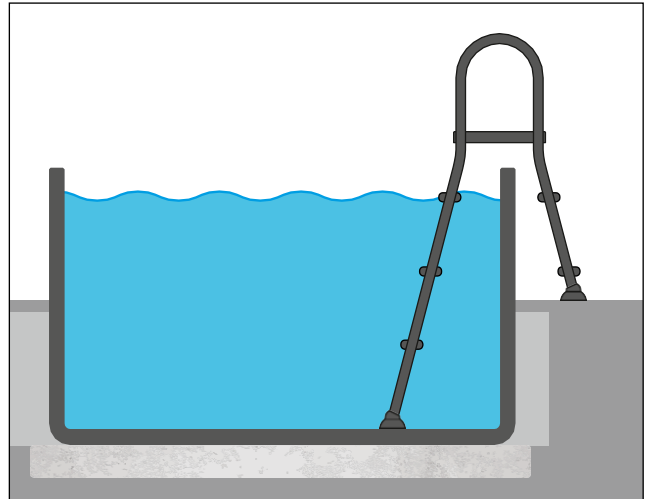


Abb. 93

### 6.2 Einstieg in den Pool

Jeder Pool benötigt einen geeigneten Einstieg, der über die Poolleiter erfolgt. Es wird unterschieden zwischen Leitern für Einbaubecken (teilweise/vollständig im Boden eingelassen) und Leitern für Becken über Geländeniveau (teilweise/vollständig freistehend):

#### 6.2.1 Leiter für Pools über Geländeniveau

Für freistehende oder teilweise im Boden eingelassene Pools empfehlen wir Leitern für Becken über Geländeniveau. Diese können (bei teilweise im Boden eingelassenen Becken) an die gebaute Lösung angepasst werden, indem der Außenteil der Leiter mit einer sauberen Eisensäge usw. gekürzt wird. Säubern und entgraten Sie danach die Schnittkanten. Die verstellbaren Füße werden dann auf die Beine der Leiter geschoben.

Siehe Montage- und Gebrauchsanleitung der jeweiligen Leiter.

#### 6.2.2 Leiter für im Boden eingelassene Pools

Es gibt zwei Möglichkeiten, Edelstahlleitern für im Boden eingelassene Becken zu montieren. Montagebeschreibung des jeweiligen Sets beachten.

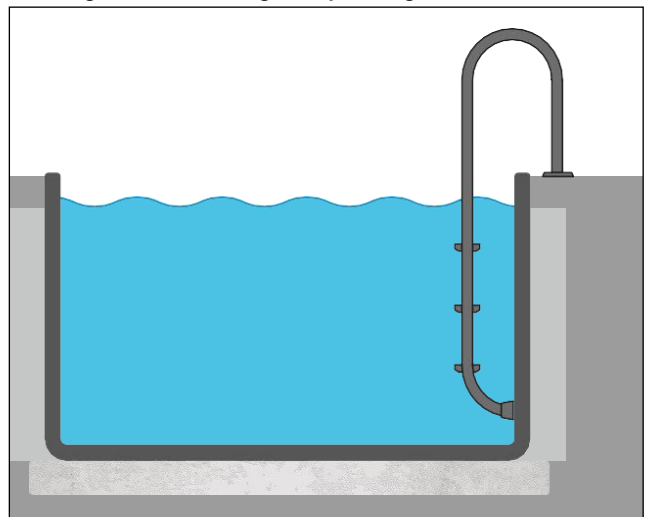


Abb. 94

### 6.3 Hinweise zur Benutzung des Pools

- Duschen Sie und waschen Sie Ihre Füße, bevor Sie den Pool betreten. Betreten Sie den Pool nicht mit Schuhwerk, da dies die PVC-Folie beschädigen kann.
- Verwenden Sie die Leiter, um den Pool zu verlassen.
- Halten Sie den Wasserstand auf dem vorgeschriebenen Niveau, ungefähr in der Mitte des Skimmerflansches. Denken Sie daran, dass bei jedem Wetter Poolwasser verdunstet und im Pool Wasser aufgefüllt werden muss. Normale Verdunstung ist natürlich und sollte nicht mit Undichtheit verwechselt werden.
- Überprüfen Sie den Pool und sein Zubehör regelmäßig auf Wasserlecks. Beseitigen Sie eventuelle Undichtheiten, indem Sie die entsprechende Verbindung festziehen oder wieder abdichten.
- Die richtige Pflege des Poolwassers ist eine der wichtigsten Voraussetzungen, um die gesundheitliche Unbedenklichkeit des Pools zu sichern.
- Die Wassertemperatur im Pool sollte 30 °C nicht überschreiten. Die optimale Wassertemperatur liegt bei 25 °C. Warmes Wasser erfrischt nicht kaum. Es verringert außerdem die Wirksamkeit des Desinfektionsmittels (Chlor) und schafft optimale Bedingungen für das Algenwachstum. Eine hohe Wassertemperatur bewirkt auch ein Weichwerden der Poolfolie und es besteht die Gefahr der Entstehung von Falten in der Folie. Wenn die Poolwassertemperatur 30 °C erreicht, verwenden Sie die Poolheizung nicht, entfernen Sie die Abdeckfolie und ersetzen Sie gegebenenfalls einen Teil des Wasservolumens durch kühleres Wasser.

### 6.4 Reparatur der Poolfolie

Eine Beschädigung der Poolfolie lässt sich ohne Probleme mit Hilfe des Reparatursets zum Kleben unter Wasser reparieren.

### 6.5 Instandhaltung

Eine Kombination aus mechanischer Wasseraufbereitung und chemischer Wasserbehandlung stellt sicher, dass das Wasser jederzeit sauber und klar ist.

#### Mechanische Wasseraufbereitung:

Kleine Verunreinigungen auf der Oberfläche (z. B. Pollen, Gras, Haare) mit Skimmer und Filtersystem absaugen. Groben Schmutz (Blätter, Insekten) mit einem Kescher und/oder Bodensauger entfernen. Für die manuelle Bodenreinigung (Saugen) müssen ein Filtersystem und ein Skimmer/Oberflächenabsauger vorhanden sein. Vor der manuellen Reinigung sollte das Sandfiltersystem zuerst gründlich durch- und ausgespült werden.

#### Manuelles Absaugen von Schmutz vom Boden:

Ein Skimmer wird in der Regel mit einer sogenannten „Saugplatte“ geliefert. Zum Saugen werden eine Reinigungsbürste (Saugbürste), eine Teleskopstange

und ein Saugschlauch (zum Anschließen der Bürste an die Saugplatte) benötigt.

Der Saugschlauch und die Teleskopstange werden mit der Saugbürste verbunden. Der Saugschlauch wird mit Wasser gefüllt und auf den Anschluss der Saugplatte aufgesetzt. Die Platte wird auf den Filterkorb des Skimmers gesetzt. Das Sandfilterventil wird in der Position „Filtration“ gestellt, das Filtergerät ist eingeschaltet und die Reinigung kann beginnen. Stellen Sie sicher, dass der Saugschlauch vollständig mit Wasser gefüllt ist, damit die Poolpumpe keine Luft ansaugt!



**Profi-Tipp zum Entlüften des Saugschlauchs:** Um den Saugschlauch für die manuelle Reinigung vollständig zu entlüften, können Sie den Schlauch bei laufender Filtervorrichtung kurz an die Einlaufdüse halten. Der Wasserstrom verdrängt die gesamte Luft aus dem Schlauch. Wenn am anderen Ende des Schlauchs oder der Saugbürste keine Blasen mehr austreten, ist der Schlauch vollständig entlüftet und die Filtereinheit kann ausgeschaltet werden.

Wenn jedoch etwas Luft in das Sandfiltersystem gelangt, müssen Sie die Poolpumpe ausschalten und alles erneut entlüften – das Filtersystem wird normalerweise automatisch entlüftet. Das Staubsaugen des Bodens muss durch langsames und gleichmäßiges Bewegen der Bürste erfolgen (zu schnelles Bewegen kann dazu führen, dass Schmutz aufgewirbelt wird und wegschwimmt). Ein Sandfiltergerät ohne Vorfilter benötigt einen Skimmer mit Filterkorb!

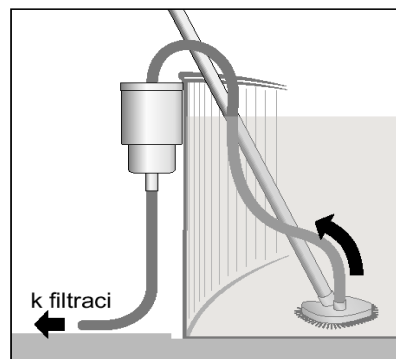


Abb. 95

Eine verringerte Filterleistung kann durch eine der folgenden Ursachen verursacht werden:

- Der Filtersand ist verschmutzt. → Filterreinigung durchführen.
- Die Pumpe saugt Luft an (Luftblasen im Wasser aus der Einlaufdüse). → Schlauch defekt, Schlauchschellen prüfen.
- Es gelangt zu wenig Wasser zum Skimmer. → Wasserstand prüfen und ggf. erhöhen.
- Skimmerkorb verschmutzt. → Reinigung durchführen.
- Vorfilterkorb der Filterpumpe verschmutzt. → Reinigung durchführen.

### Chemische Aufbereitung des Wassers:

Bei der Behandlung von Wasser mit chemischen Mitteln können keine allgemeinen Hinweise zur Dosierung und zum Behandlungsschema gegeben werden. Die Situation jedes Pools ist anders und hängt von der Art des Pools, der Besucherfrequenz, der Umgebung, den klimatischen Bedingungen und dergleichen ab. Die Dosierung sollte den tatsächlich gemessenen Werten entsprechen. Daher ist es zweckmäßig, ein Messkit für den pH-Wert und freies Chlor oder gegebenenfalls einen anderen Wirkstoff zu verwenden. Abhängig von den Messergebnissen können dann die chemischen Präparate genau dosiert werden. Dies verringert das Risiko einer unnötigen Chemikalienexposition von Personen. Beachten Sie die folgenden Grundsätze:

- Berücksichtigen Sie bei der Auswahl der Chemikalien die Eignung des Stoffes und die Verwendungsmöglichkeit.
- Lagern Sie Poolchemikalien AUSSERHALB DER REICHWEITE VON KINDERN, kühl, trocken und dunkel.
- Lesen Sie sofort die Erste-Hilfe-Maßnahmen für jedes Produkt und beachten Sie die Sicherheitshinweise und Vorsichtsmaßnahmen auf der Verpackung.
- Befolgen Sie bei der Anwendung von Chemikalien die Anweisungen des Herstellers. Beachten Sie beim Umgang mit ihnen die Grundsätze der persönlichen Hygiene und waschen Sie anschließend gründlich Ihre Hände.
- Geben Sie keine chemischen Produkte in das Skimmernetz. Um Chlortabletten zu verwenden, empfehlen wir die Verwendung eines speziell für diesen Zweck entwickelten Schwimmers oder eines Chlorspenders. Wenn Sie einen Schwimmer kaufen, geben Sie die entsprechende Menge Tabletten in den Schwimmer und lassen Sie ihn auf der Oberfläche schwimmen. Durch Einschalten der Filtervorrichtung wird das Chlor schneller im Pool verteilt. Entfernen Sie nach dem Auflösen des Präparats den Schwimmer und bewahren Sie ihn an einem sicheren Ort auf. Wenn Sie den Pool verwenden möchten, bevor das Präparat aufgelöst ist, entfernen Sie den Schwimmer und platzieren Sie ihn an einem Ort, an dem das Chlor keine Verletzungen oder Schäden verursachen kann. Halten Sie es insbesondere von Kindern fern.
- Benutzen Sie den Pool nicht, während chemische Präparate angewendet werden.

### 6.6 Winterfest machen

Alle eingebauten Becken müssen im Winter teilweise mit Wasser gefüllt bleiben, um den äußeren Druck auszugleichen.

Zu Beginn sollte der pH-Wert auf 7,0 eingestellt werden und jegliche Trübung des Wassers oder Auftreten von Algen sollten durch Stoßchlorung beseitigt werden.

Anschließend muss der Wasserstand bis ca. 10 cm unter die Einlaufdüsen abgesenkt und die Leitungen und das Filtersystem müssen vollständig entleert werden. Die Einlaufdüsen können mit Winterkappen verschlossen werden.

Wenn Scheinwerfer im Pool installiert sind, sollte der Wasserstand entweder darunter oder darüber liegen. Nach dem Fallen der Temperaturen gesenkt haben, setzen Sie dem Wasser ein Wintermittel zu. Um den Eisdruck an den Wänden des Pools zu vermeiden, wird empfohlen, Eisdruckpolster zu verwenden.

## 7 Sicherheitshinweise

### Allgemeine Sicherheitsvorkehrungen:



**Lassen Sie Kinder niemals unbeaufsichtigt im Pool oder in der Nähe des Pools spielen. Belehren Sie sie über mögliche Gefahren. Bringen Sie Kindern das Schwimmen bei. Decken Sie den Pool ab, wenn er nicht benutzt wird. Betreten Sie den Pool nach dem Essen oder Sonnenbaden sehr langsam. Gefahr von Kreislaufversagen oder Herzstillstand!**



**Soforthilfe bei Badeunfällen: Holen Sie die betroffene Person sofort aus dem Wasser. Überprüfen Sie Puls und Atmung. Bei Bedarf sofort Mund-zu-Mund-Atmung und indirekte Herzmassage durchführen. Rufen Sie den Rettungsdienst.**

**Warnung: Verändern Sie den Pool nicht und nehmen Sie keine Eingriffe in die Konstruktion des montierten und gefüllten Pools vor. Dies kann zum Einsturz des Pools oder schweren Verletzungen führen.**

### Technische Sicherheitshinweise:

- Bitte lesen Sie alle Informationen sorgfältig durch, bevor Sie den Pool benutzen und fragen Sie, wenn Ihnen etwas unklar ist. Befolgen Sie die Empfehlungen. Dies dient Ihrer Sicherheit und der Sicherheit anderer Poolbenutzer. Bitte bewahren Sie dieses Dokument sorgfältig an einem sicheren Ort auf, damit Sie es später erneut verwenden können.
- Ein Hinweis vorweg: Folgenden werden – ohne Anspruch auf Vollständigkeit – die typischen Risiken der Nutzung eines Schwimmbads beschrieben. Es sind nicht alle Gefahren in jedem möglichen Einzelfall enthalten. Deshalb gilt: Setzen Sie Ihren gesunden Menschenverstand für alle Aktivitäten im und am Pool ein.

## Sicherheit von Nichtschwimmern:

- Stellen Sie immer sicher, dass Nichtschwimmer und Menschen mit eingeschränkten Schwimmkenntnissen – insbesondere kleine Kinder – von einer Person beaufsichtigt werden, die sie im Notfall retten und Hilfe holen kann.
- Um Missverständnisse in der Kommunikation zu vermeiden: Bestimmen Sie eine Person, die den Pool während seiner Verwendung ununterbrochen überwacht und helfen kann.
- Nichtschwimmer und Personen mit eingeschränkten Schwimmkenntnissen sollten bei der Benutzung des Pools persönliche Schutzausrüstung tragen.
- Entfernen Sie Spielzeug aus dem Pool und aus der Nähe des Pools, wenn der Pool nicht verwendet oder überwacht wird. Dies verhindert, dass es Kinder anzieht.

## Sicherer Zugang zum Pool:

- Wenn sich Ihre Zugangsvorrichtung (Leiter) nicht anheben oder absenken lässt, um zu verhindern, dass Kinder unerwartet in den Pool gelangen und ertrinken, empfehlen wir, den Zugang zum Pool mit einer Sicherheitsvorrichtung zu sichern.

## Sicherheitsvorrichtungen:

- Sicherheitsvorrichtungen können verhindern, dass Kinder unerwartet in den Pool gelangen, um ein Ertrinken zu verhindern. Sie schützen im Allgemeinen auch vor unbefugtem Zugang zum Pool. Wir empfehlen daher, nicht auf Sicherheitszubehör zu verzichten. Dies können je nach Einzelfall beispielsweise ein Zaun, eine Abdeckung mit speziellem Verletzungsschutz, eine Überdachung oder eine Alarmanlage sein.
- Darüber hinaus empfehlen wir, dass Sie die Türen und Fenster Ihres Hauses sowie den Zugang zum Grundstück sichern, um eine unbefugte Nutzung des Pools zu verhindern.
- Bitte beachten Sie: Schutzausrüstung kann den Pool sicherer machen, ersetzt jedoch niemals die ständige Beaufsichtigung von Kindern durch einen Erwachsenen, der im Notfall helfen kann.

## Sicherheitsausrüstung:

- Wir empfehlen, dass Sie Rettungsausrüstung (z. B. einen Rettungsring) in der Nähe des Pools bereithalten.
- Stellen Sie sicher, dass sich in der Nähe des Pools ein funktionierendes Telefon und eine Liste von Notrufnummern befinden, damit die Hilfe im Notfall schnell angerufen werden kann.

## Sichere Nutzung des Pools:

- Ermutigen Sie alle Poolbenutzer, insbesondere Kinder, das Schwimmen zu lernen.
- Erlernen Sie die Grundsätze der Ersten Hilfe (Herz-Lungen-Wiederbelebung) und aktualisieren Sie Ihr Wissen regelmäßig. Im Notfall kann dies einen Unterschied bewirken, der Leben rettet.

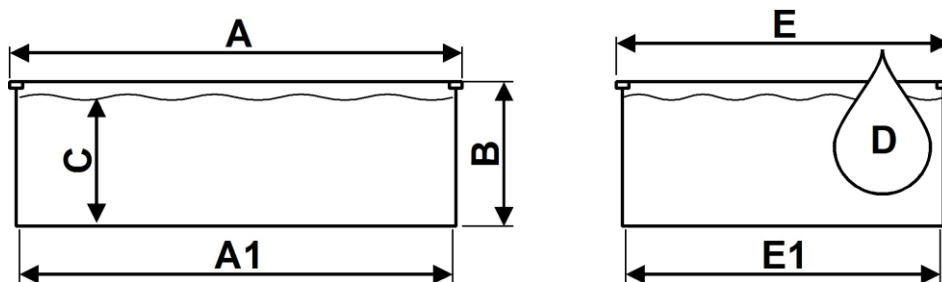
- Erklären Sie vor der Benutzung des Pools allen Poolbenutzern, einschließlich Kindern, was im Notfall zu tun ist.
- Niemals ins flache Wasser springen. Dies kann zu schweren oder tödlichen Verletzungen führen.
- Verwenden Sie den Pool nicht, wenn Sie unter dem Einfluss von Alkohol oder Medikamenten stehen, die die sichere Nutzung des Pools beeinträchtigen könnten.
- Wenn Ihr Pool mit einer Abdeckung ausgestattet ist: Stellen Sie vor der Benutzung des Pools sicher, dass die Abdeckung vollständig angehoben ist bzw. vollständig von der Wasseroberfläche entfernt wurde.
- Um die Poolbenutzer vor durch Wasser übertragenen Krankheiten zu schützen, sollte darauf geachtet werden, dass das Wasser immer in hygienisch einwandfreiem Zustand gehalten wird. Siehe Anweisungen und Informationen zur Wasseraufbereitung in der Gebrauchsanleitung.
- Bewahren Sie Chemikalien und Wasserpflegemittel (z. B. Wasseraufbereitungsmittel, Reinigungs- oder Desinfektionsmittel) außerhalb der Reichweite von Kindern auf.
- Abnehmbare Stufen müssen auf einer ebenen Fläche platziert werden.
- Schützen Sie die Benutzer des Pools vor gesundheitsschädlichem Wasser. Halten Sie das Poolwasser in gesundheitlich unbedenklichem Zustand und befolgen Sie die Regeln der persönlichen Hygiene.

Kleben Sie in der Nähe des Eingangs- oder Ausgangsbereichs des Pools innerhalb von 2 Metern um den Pool einen Waraufkleber auf. Es ist zu beachten, dass der Pool nicht so tief ist, dass sicher hineingesprungen werden kann. Es besteht Verletzungsgefahr.





## Ungefähre Abmessungen und Wasservolumen des Pools



Typ des Pools	A1 [cm]	A [cm]	B [cm]	C [cm]	D [m <sup>3</sup> ]	E1 [cm]	E [cm]
Ø 3,6 x 1,2 / 1,5 m	Ø 360	Ø 364	120 / 150	105 / 135	10,7 / 13,7	-	-
Ø 4,0 x 1,2 / 1,5 m	Ø 400	Ø 404	120 / 150	105 / 135	13,2 / 17,0	-	-
Ø 4,6 x 1,2 / 1,5 m	Ø 460	Ø 464	120 / 150	105 / 135	17,5 / 22,5	-	-
Ø 5,0 x 1,2 / 1,5 m	Ø 500	Ø 504	120 / 150	105 / 135	20,6 / 26,5	-	-
Ø 6,0 x 1,2 / 1,5 m	Ø 600	Ø 604	120 / 150	105 / 135	29,7 / 38,2	-	-
3,2 x 5,25 x 1,2 / 1,5 m	525	529	120 / 150	105 / 135	15,5 / 20,0	320	324
3,2 x 6,0 x 1,2 / 1,5 m	600	604	120 / 150	105 / 135	18,0 / 23,0	320	324
3,5 x 7,0 x 1,2 / 1,5 m	700	704	120 / 150	105 / 135	23,0 / 30,0	350	354
4,16 x 8,0 x 1,2 / 1,5 m	800	804	120 / 150	105 / 135	31,0 / 40,0	416	420
4,16 x 10,0 x 1,2 / 1,5 m	1000	1004	120 / 150	105 / 135	40,0 / 51,5	416	420
6,0 x 12,0 x 1,2 / 1,5 m	1200	1204	120 / 150	105 / 135	67,5 / 87,0	600	604

Dichtheitsklasse des Pools: W<sub>2</sub>

Wir wünschen Ihnen viel Freude mit Ihrem Swimmingpool!

# Mountfield

# Инструкция по монтажу для круглых и овальных бассейнов IBIZA



## **Правила безопасности:**

Перед началом монтажа и эксплуатации бассейна внимательно прочитайте все руководство, включая правила безопасности, и соблюдайте все его требования.

Во избежание серьезной травмы или утонутия используйте подходящие защитные устройства, препятствующие недозволенному доступу людей в бассейн, главным образом детей младше 5 лет.

Люди, не умеющие плавать, и дети должны находиться под постоянным присмотром опытного человека. Следует иметь в виду, что все правила безопасности и защитные устройства являются только вспомогательными средствами и никогда не заменят личное присутствие ответственного взрослого.

Более подробно см. стр. 30 и далее.

## Содержание

1	Важные указания .....	3
1.1	Заземление бассейна .....	3
2	Введение.....	3
2.1	Составные части бассейна .....	3
2.2	Размещение бассейна .....	4
2.3	Размещение фильтра .....	4
2.4	Возможности пространственного размещения .....	4
2.5	Подготовка основания.....	5
2.6	Внутренняя пленка .....	5
3	Подготовка к строительству.....	6
3.1	Котлован для круглого бассейна .....	6
3.2	Фундаментная плита .....	6
3.3	Котлован для овального бассейна .....	7
4	Установка бассейна .....	10
4.1	Установка круглого бассейна .....	10
4.2	Установка овального бассейна .....	11
4.3	Монтаж стальной стенки.....	12
4.4	Укорачивание профиля основания и соединение концов стенки вставным профилем .....	13
4.5	Подготовка отверстий для встраиваемого оборудования.....	15
4.6	Укладка геотекстильной подложки.....	19
4.7	Крепление внутренней пленки и монтаж верхнего профиля .....	20
4.8	Монтаж встраиваемых деталей .....	24
4.9	Завершение монтажа технологического оборудования.....	26
5	Обсыпка сухим бетоном.....	27
6	Прочее.....	28
6.1	Уровень воды и клапан скиммера .....	28
6.2	Вход в бассейн .....	28
6.3	Советы по использованию бассейна.....	29
6.4	Ремонт внутренней пленки.....	29
6.5	Уход за бассейном .....	29
6.6	Консервация бассейна на зиму .....	30
7	Правила безопасности .....	30

## 1 Важные указания



**Перед началом монтажа и эксплуатации бассейна внимательно прочитайте все руководство и соблюдайте все его требования.**

Иллюстрации и рисунки, приведенные в данном руководстве, являются частично схематичными и примерными изображениями, служащими для общего ознакомления с изделием.

Перед началом монтажа проверьте комплектность бассейна и убедитесь в отсутствии дефектов и повреждений. Претензии на повреждения, возникшие при транспортировке, заявленные после монтажа изделия, не рассматриваются. Производитель оставляет за собой право на внесение изменений в конструкцию изделия, связанных с дальнейшими техническими нововведениями.



**Убедитесь в том, что стальная стенка бассейна будет контактировать только с подходящими строительными материалами.**

Например, при использовании силикона убедитесь, что он не содержит кислот. В противном случае будет повреждено защитное покрытие стальной стенки, что может привести к ее коррозии. В некоторых случаях будет необходимо заранее определить пригодность строительного материала для предполагаемого использования.

### 1.1 Заземление бассейна

Необходимо обеспечить эквипотенциальное соединение стенки бассейна и всех крупноразмерных стальных частей. Эту работу должен выполнять квалифицированный электрик в соответствии с предписаниями, действующими в месте установки бассейна.

Для этой цели можно просверлить стальную стенку в нижней части (и затем обработать цинковым спреем или полимерной краской) и прикрепить кабель заземления к металлическому болту (рис. 1). От него кабель ведется к стержню заземления.



**Внимание! Все электромонтажные работы должны проводиться сертифицированной электромонтажной организацией в соответствии с действующими электромонтажными нормами (например, DIN VDE 0100, часть 702).**

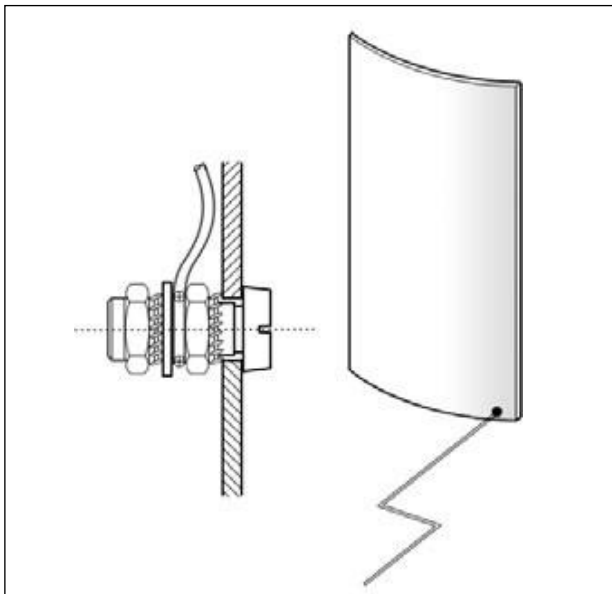


Рис. 1

## 2 Введение

### 2.1 Составные части бассейна



Рис. 2



Вышеуказанный рисунок не содержит всех частей поставки. Исполнение и цвет изображенных деталей могут отличаться от поставленных.



Иллюстрации и рисунки, приведенные в руководстве, могут не соответствовать поставленному изделию и его принадлежностям. Данные изображения служат только для лучшего понимания текста настоящего руководства.

Производитель оставляет за собой право на внесение изменений в конструкцию изделия без предварительного уведомления.

## 2.2 Размещение бассейна

Рекомендуется разместить бассейн на солнечном месте недалеко от дома. Скиммер (устройство для сбора грязевых частиц с поверхности воды) следует устанавливать с учетом преобладающего направления ветра на подветренной стороне, чтобы плавающий мусор относил ветром к скиммеру. Важно, чтобы скиммер был установлен на стороне, которая находится ближе к фильтру.

## 2.3 Размещение фильтра

Система фильтрации должна всегда размещаться как можно ближе к бассейну, причем желательно, чтобы всасывающий трубопровод (трубопровод скиммера) был короче возвратного (трубопровода форсунок).

Система фильтрации может быть установлена в колодце, доме или садовом домике и т. п. При установке в доме или в колодце необходимо обеспечить сток в полу на случай утечки воды. Необходимо также отводить воду от обратной промывки — в среднем раз в 1–2 недели около 200 л. Это можно обеспечить с помощью жесткого трубопровода или гибкого шланга, выведенного в подходящий сток.

Если система фильтрации расположена выше уровня воды, необходимо на стороне всасывания, то есть на трубопроводе скиммера, установить обратный клапан. Клапан устанавливается на расстоянии 1–1,5 м от песчаного фильтра и должен быть всегда легко доступен.

При выборе места установки системы фильтрации важную роль также играет планируемый тип подогрева воды. Если для подогрева будет использоваться солнечный коллектор, необходимо установить систему фильтрации как можно ближе к солнечному абсорберу. И в случае использования теплового насоса воздух-вода, который устанавливается под открытым небом, также рекомендуется разместить систему фильтрации в саду. Однако при подключении теплообменника к системе центрального отопления необходимо разместить фильтр в доме.

## 2.4 Возможности пространственного размещения

### 2.4.1 Возможности пространственного размещения — круглый бассейн

Круглые бассейны всех глубин и размеров можно всегда установить тремя способами:

#### Полностью заглубленный бассейн

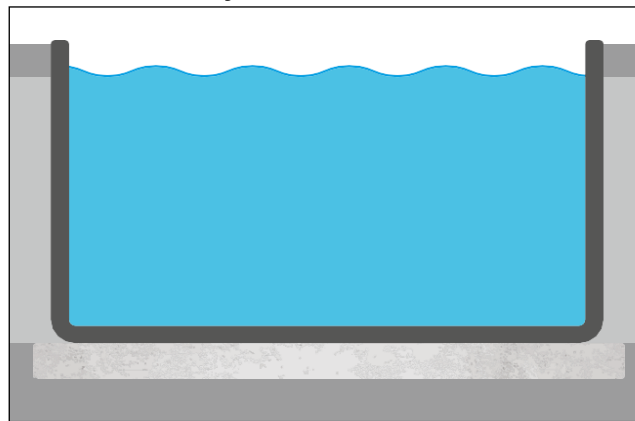


Рис. 3

#### Частично заглубленный бассейн

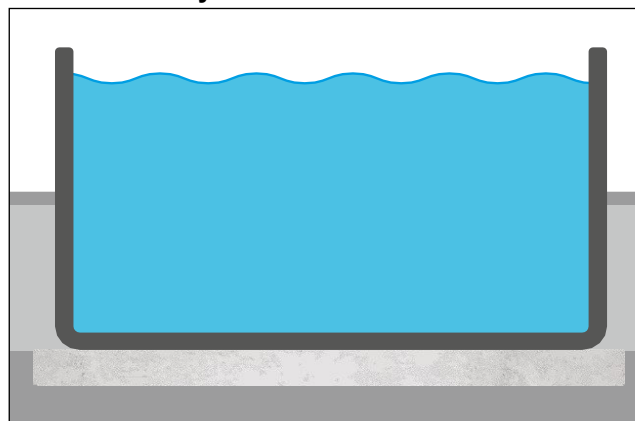


Рис. 4

#### Поверхностный бассейн

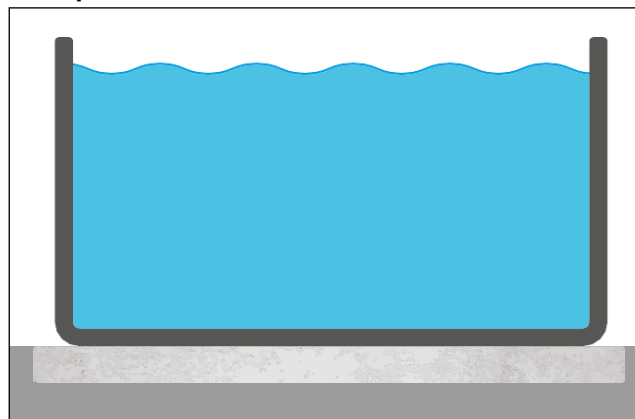


Рис. 5

Бассейны глубиной 150 см необходимо заглубить как минимум на 60 см.

В этом случае, а также у полностью или частично заглубленных бассейнов необходимо обсыпать заглубленную часть тощим бетоном.

## 2.4.2 Возможности пространственного размещения — овалный бассейн

Овальные бассейны не могут устанавливаться произвольным образом и должны заглубляться как минимум на 2/3 от общей высоты. В месте установки бассейна необходимо обустроить бетонную фундаментную плиту и подпорные стены на длинных сторонах овала, которые необходимо соединить с плитой основания с помощью арматурных стержней.

По окончании строительства полукруглые торцевые стороны овалного бассейна необходимо обсыпать тощим бетоном или же обнести стеной.

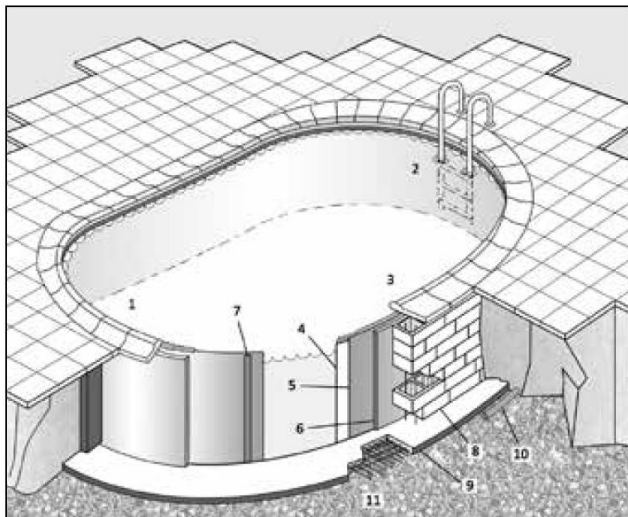


Рис. 6

- 1) Страна скиммера или форсунки
- 2) Лестница бассейна
- 3) Светильники бассейна, в случае их установки (направленные в сторону воды)
- 4) Внутренняя пленка ПВХ
- 5) Стальная стенка
- 6) Строительная пленка + полистирол
- 7) Соединительный профиль, стальная стенка
- 8) Подпорная стена (армированная)
- 9) Фундаментная плита из армированного бетона с гладкой поверхностью
- 10) Слив
- 11) Щебень (подсыпка)

## 2.5 Подготовка основания

Место для установки бассейна должно отвечать требованиям по несущей способности основания и должно иметь ровную, твердую поверхность, поэтому необходимо предварительно выровнять неровности грунта.

Никогда не делайте насыпные основания на склонах! Склоны необходимо укрепить подпорной стеной. Никогда не подпирайте склон стенкой бассейна!

Основание под бассейном должно быть естественным, а не насыпным. Насыпку следует утрамбовать таким образом, чтобы бассейн не провалился, или необходимо при устройстве основания приложить больше усилий. В случае сомнений обратитесь к специалисту по строительству или к инженеру-конструктору.



**Важные указания при устройстве заглубленного бассейна: Следите за тем, чтобы бассейн ни в коем случае не оказался в области грунтовых вод. Если при выемке грунта на соответствующей глубине появится грунтовая вода, в обязательном порядке обратитесь за решением к специалисту по строительству.**

В качестве основания необходима фундаментная плита из армированного бетона, под которой, как правило, насыпается подушка / слой щебня. У встроенных бассейнов рекомендуется обустроить дренаж.

## 2.6 Внутренняя пленка

Внутренняя пленка выполнена из термопластичного материала.

Монтаж бассейна следует проводить при наружной температуре от +15 °С до +25 °С. Не закрепляйте пленку при сильном солнечном свете, подождите до вечера.

Ввиду свойств материала пленка может быть при очень низкой температуре на 50 см меньше в диаметре, чем размер бассейна.



**В обязательном порядке следите за тем, чтобы внутренняя пленка соприкасалась только с материалами, совместимыми с ПВХ. Поэтому рекомендуется во всех случаях уложить под пленку защитную прокладку из геотекстиля.**

### 3 Подготовка к строительству

#### 3.1 Котлован для круглого бассейна



При выемке грунта для частично или почти полностью заглубленного бассейна необходимо оставить не менее 50 см рабочего пространства для скиммера и форсунки в месте их планируемого расположения, чтобы потом было можно установить их в стенке бассейна и соединить их трубопроводом.

Если бассейн заглубляется менее чем на половину высоты, и трубы не будут расположены в грунте, достаточно оставить 20–30 см.

При этом необходимо иметь в виду, что толщина слоя обсыпки тощим бетоном за стальной стенкой составляет 15–30 см. Более подробно см. стр. 27.

##### Рекомендуемые размеры котлована:

Бассейн	Размеры котлована
Ш x Д [м]	Ш x Д [м]
Ø 3,60	Ø 4,60
Ø 4,00	Ø 5,00
Ø 4,60	Ø 5,60
Ø 5,00	Ø 6,00
Ø 6,00	Ø 7,00

Для упрощения земляных работ обычное роется прямоугольный котлован. Естественно, можно вырыть и котлован соответствующей формы в плане, включая соответствующее пространство между бассейном и стенками котлована.

Глубина котлована зависит от толщины фундаментной плиты и подушки (слоя щебня) и от глубины и высоты надземной части бассейна.

##### Правило:

Подушка (щебень)  
+ бетонная плита  
+ глубина бассейна или глубина  
заглубления  
= глубина котлована

Обычно толщина фундаментной плиты составляет 15 см, толщина насыпной подушки — 5 см (точную толщину устанавливает строительная фирма в зависимости от грунтового основания).



**Важно:** Если система фильтрации не располагается непосредственно у бассейна, и трубопроводы прокладываются в грунте, необходимо выкопать траншеи для трубопроводов одновременно с рытьем котлована.

Траншеи для трубопроводов прокладываются одновременно с рытьем котлована. Ширина траншей — около 40–50 см, глубина — около 80 см. Если имеется возможность перед наступлением зимы слить воду из трубопровода в самой низкой его точке, можно проложить трубопровод выше с уклоном к точке слива.

Для этого рекомендуется подготовить в соответствующем месте большую пластиковую или подобную трубу с внутренним диаметром не менее 160 мм.

При необходимости следует также подготовить траншеи для трубопровода от системы фильтрации к солнечному коллектору и для питающих кабелей.

#### 3.2 Фундаментная плита

После обустройства котлована и дренажа (или обустройства дренажа/подушки) выполняется бетонная фундаментная плита (С16/20) с армированием (арматурная сетка из строительной стали марки Q 188А). Рекомендуемая толщина плиты составляет 15 см. Тем не менее, точную толщину плиты, включая толщину подушки, должен определить специалист по строительству.



**Фундаментная плита должна превышать по периметру размеры основания бассейна на 10 см и должна быть ровной, без уклонов.**

Как и в случае формы котлована фундаментная плита также может быть в плане прямоугольной или может копировать форму бассейна.



**Внимание!** Соблюдайте сроки схватывания и твердения бетонной смеси (обычно 28 дней). Принимать решение о сокращении этих сроков может только специалист по строительству.

### 3.3 Котлован для овального бассейна

#### 3.3.1 План и размеры: бассейн и подпорные стены

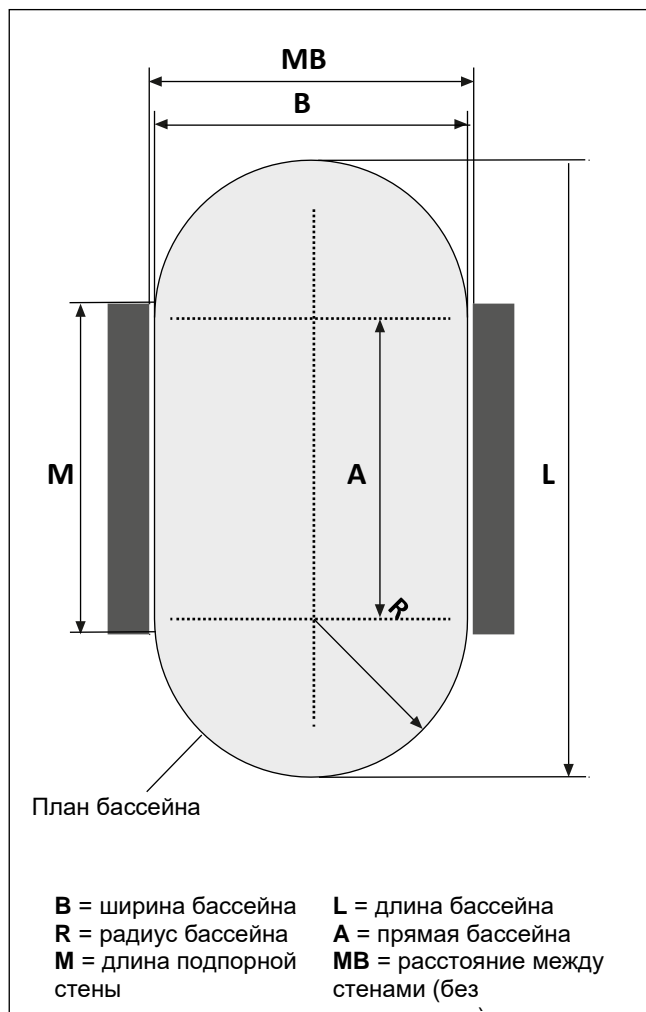


Рис. 7

Бассейн			Подпорная стена	
Ш x Д [м]	A [м]	R [м]	MB [м]	M [м]
3,20 × 5,25	2,05	1,60	3,24	2,25
3,20 × 6,00	2,80	1,60	3,24	3,00
3,50 × 7,00	3,50	1,75	3,54	3,70
4,16 × 8,00	3,84	2,08	4,20	4,04
4,16 × 10,00	5,84	2,08	4,20	6,04
6,00 × 12,00	6,00	3,00	6,04	6,20

#### 3.3.2 Котлован

**i** При выемке грунта необходимо оставить не менее 50 см рабочего пространства для скиммера и форсунок в месте их планируемого расположения в закругленной части бассейна, чтобы потом было можно установить их в стенке бассейна и соединить их трубопроводом.

На противоположной стороне или на продольных сторонах достаточно оставить 30 см.

При этом необходимо иметь в виду, что толщина слоя обсыпки тощим бетоном за стальной стенкой (кроме участков подпорных стен) составляет 15–30 см. Или же эти участки можно обнести стеной.

#### Рекомендуемые размеры котлована:

Бассейн	Размеры котлована
Ш x Д [м]	Ш x Д [м]
3,20 × 5,25	4,30 × 6,25
3,20 × 6,00	4,30 × 7,00
3,50 × 7,00	4,60 × 8,00
4,16 × 8,00	5,25 × 9,00
4,16 × 10,00	5,25 × 11,00
6,00 × 12,00	7,10 × 13,00

Для упрощения земляных работ обычное роется прямоугольный котлован. Естественно, можно вырыть и котлован соответствующей формы в плане, включая соответствующее пространство между бассейном и стенками котлована.

Глубина котлована зависит от толщины фундаментной плиты и подушки (слоя щебня) и от глубины бассейна.

#### Правило:

Подушка (щебень)  
 + бетонная плита  
 + глубина бассейна  
 = **глубина котлована**

Обычно толщина фундаментной плиты составляет 15 см, толщина насыпной подушки — 5 см (точную толщину устанавливает строительная фирма в зависимости от грунтового основания).

Высота надземной части бассейна может составлять не более 1/3 от его общей высоты. Обычно верхний край бассейна устраивается на уровне земли, а кромка бассейна закрывается бордюром.



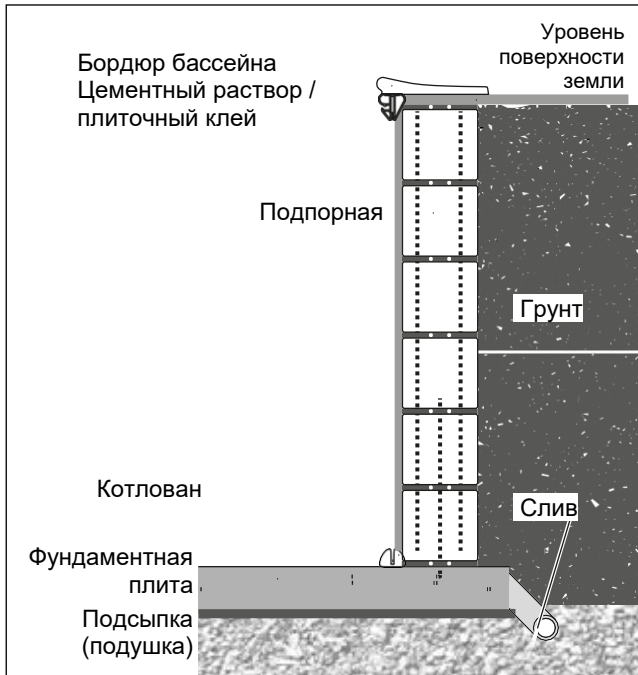


Рис. 8



**Важно:** Если система фильтрации не располагается непосредственно у бассейна, необходимо выкопать траншеи для трубопроводов одновременно с рытьем котлована. Ширина траншей — около 40–50 см, глубина — около 100 см. Если имеется возможность перед наступлением зимы слить воду из трубопровода в самой низкой его точке, можно проложить трубопровод выше с уклоном к точке слива.

Для этого рекомендуется подготовить в соответствующем месте большую пластиковую или подобную трубу с внутренним диаметром не менее 160 мм.

При необходимости следует также подготовить траншеи для трубопровода к солнечному коллектору (от системы фильтрации) и для питающих кабелей.

### 3.3.2 Фундаментная плита

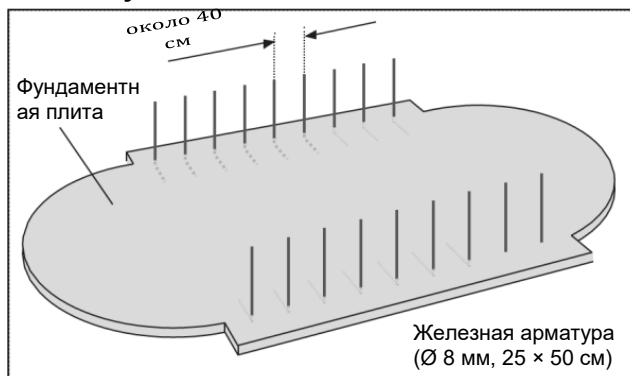


Рис. 9

После обустройства котлована и дренажа (при необходимости после дренажа / обустройства подушки) сначала выполняется бетонная фундаментная плита (С16/20) с армированием (арматурная сетка из строительной стали марки Q188A). Рекомендуемая толщина плиты составляет 15 см. Тем не менее, точную толщину плиты, включая толщину подушки, должен определить специалист по строительству.



Фундаментная плита должна превышать по периметру размеры основания бассейна / подпорной стены на 10 см и должна быть ровной, без уклонов.

### Размеры фундаментной плиты

Бассейн	Фундаментная плита (мин.)
Ш x Д [м]	Ш x Д [м]
3,20 × 5,25	3,90 × 5,50
3,20 × 6,00	3,90 × 6,25
3,50 × 7,00	4,20 × 7,25
4,16 × 8,00	4,86 × 8,25
4,16 × 10,00	4,86 × 10,25
6,00 × 12,00	6,70 × 12,25

И в этом же случае фундаментная плита может быть как прямоугольной, так и повторяющей форму бассейна в плане.



**Важно:** Рекомендуется также сразу вложить в еще влажную плиту гнутые соединительные стальные стержни диаметром 8 мм и размерами около 25 × 50 см.

Рекомендуется взять один из пустотелых блоков для подпорной стены и сделать отпечаток планируемой стены во влажном бетоне. Затем в каждую из отпечатанных в бетоне внутренних полостей вложить по центру гнутые арматурные стержни (рис. 10).

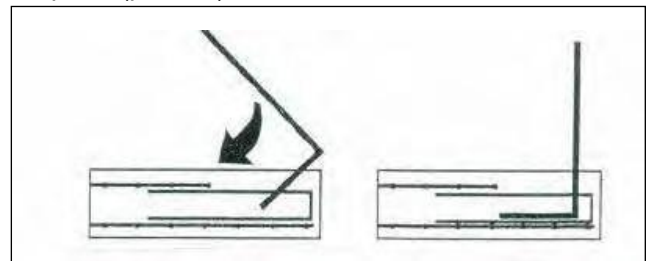


Рис. 10

### 3.3.3 Устройство подпорных стен

После затвердевания фундаментной плиты возводятся обе подпорные стены. Каждый ряд пустотелых блоков заполняется бетоном (С16/20) и армируется вертикально и горизонтально стальной проволокой ( $\varnothing$  8 мм). При возведении стен следите за смещением швов и точным соблюдением вертикалей и горизонталей, включая точную параллельность обеих подпорных стен.

Высота стен зависит от высоты бассейна — см. эскизы.

Для надежного прикрепления стальной стенки бассейна к подпорной стене рекомендуется сделать 1-2 верхних ряда стены из полнотелых блоков, например, из кирпичей, так как практический опыт показывает, что в них лучше держатся монтажные болты. Если стальная стенка крепится к заполненным бетоном пустотелым блокам, рекомендуется использовать особо длинные болты, которые войдут в бетонное ядро.



**Внимание! Проконсультируйтесь со специалистом по строительству. Производитель бассейна не несет ответственность за ошибки монтажа и повреждения, возникшие при неправильном устройстве подпорной стены!**

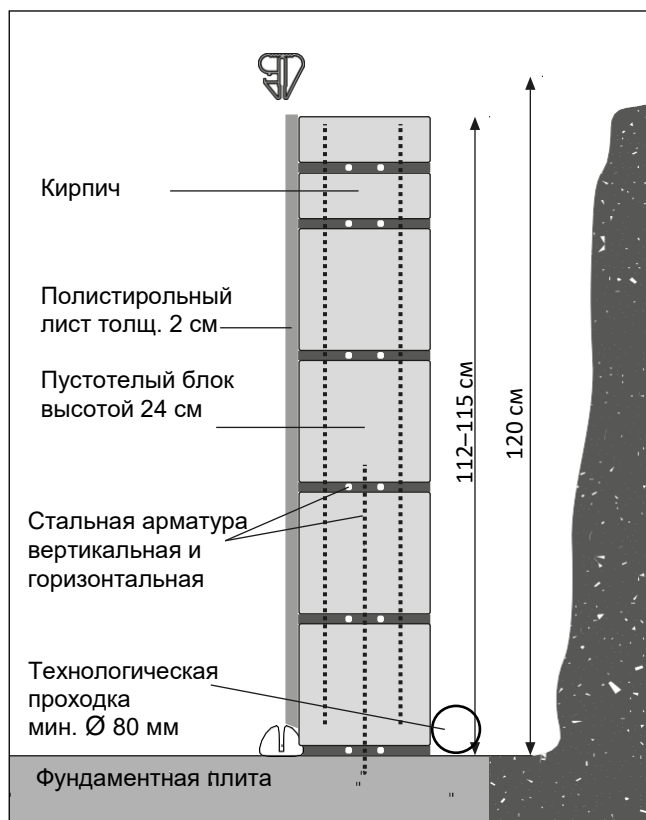


Рис. 11

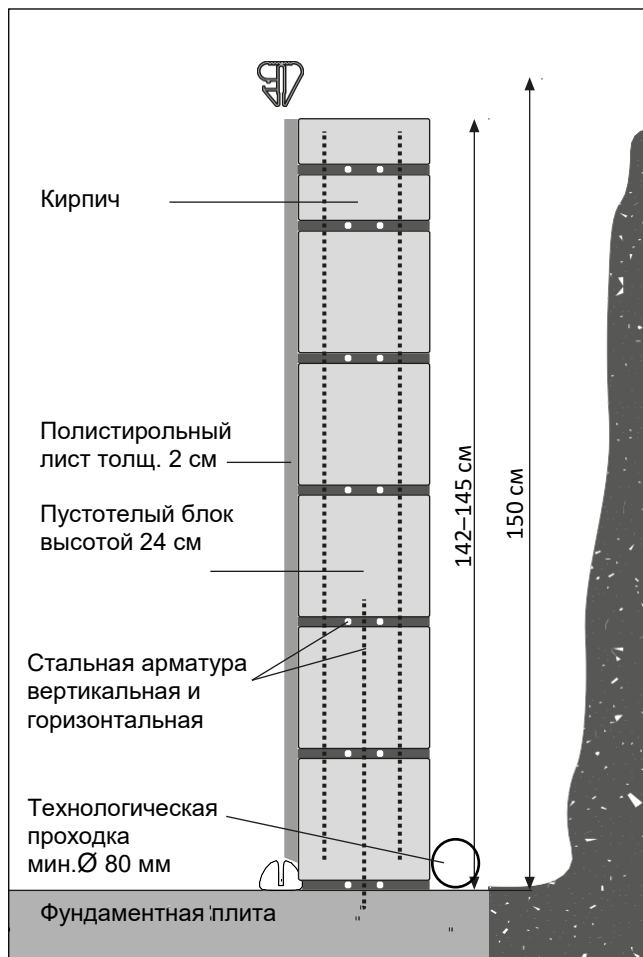


Рис. 12



**Внимание! Соблюдайте сроки схватывания и твердения бетонной смеси (обычно 28 дней). Принимать решение о сокращении этих сроков может только специалист по строительству.**

Подпорная стена ни в коем случае не должна превышать 115 см (при высоте бассейна 120 см) или 145 см (при высоте бассейна 150 см). В противном случае нельзя правильно установить верхний профиль.

Под высотой стены понимается высота от верхней поверхности готовой фундаментной плиты.

С помощью подходящего клея приклейте к внутренней стороне подпорных стен полистирольные листы толщ. 20 мм, оставив при этом зазор высотой 25 мм над фундаментной плитой для профиля основания (рис. 13).

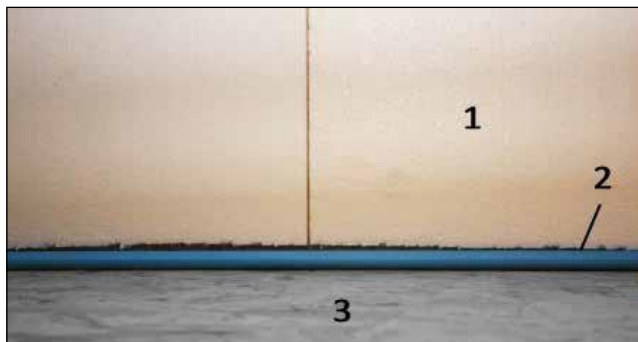


Рис. 13

- 1) Полистирольный лист
- 2) Профиль основания
- 3) Фундаментная плита



**Важно:** В случае установки светильников необходимо подготовить или оставить отверстия для их встраивания еще во время устройства подпорных стен. Соблюдайте указания производителя светильников.

## 4 Установка бассейна

### 4.1 Установка круглого бассейна

В зависимости от размеров бассейна его монтаж должны осуществлять 3-4 человека при полном безветрии. При монтаже стальной стенки рекомендуется использовать рабочие перчатки. Предварительно наметьте контур бассейна на поверхности основания. Это сильно упростит последующую установку и монтаж бассейна. Для этого вбейте гвоздь в центре окружности бассейна, привяжите к гвоздю шнур и отмерьте по нему нужный радиус ( $r = \text{Ø}/2$ ). С помощью шнура начертите на основании (например, мелом или строительным карандашом — см. рис. 14 и 15) линию окружности бассейна по отмеренному радиусу. Профиль основания и верхний профиль (в разобранном состоянии) входят в поставку и находятся в свернутой стальной стенке.



Рис. 14



Рис. 15

#### 4.1.1 Монтаж профиля основания

Соедините отдельные сегменты профиля основания (ширина около 20 мм) с помощью соединительных трубок и положите замкнутый профиль на основание по контуру бассейна. Ориентируйтесь на намеченную контурную линию.

Проверьте точность размеров и симметрию профиля.



**Профессиональный совет по монтажу профиля основания и верхнего профиля:** Соединение сегментов профиля намного упростится, если смазать свободные концы соединительных трубок (элементов для соединения профилей).

Для этого сначала вставьте соединительные трубки одним концом в сегмент профиля и смажьте их свободные концы (рис. 16), после чего соедините сегменты профиля (рис. 17).



Профессиональный совет по укорачиванию профиля основания: Сначала соедините все сегменты профиля и выровняйте его по намеченному контуру бассейна. Укорачивание профиля в случае необходимости проводите при установке стальной стенки, потому что только тогда станут заметны все отличия в размерах, которые затем можно будет откорректировать.

Подробнее см. рис. 28–30 на стр. 13.



Рис. 16



Рис. 17



Рис. 18

## 4.2 Установка овального бассейна

Предварительно наметьте контур бассейна на поверхности основания. Полуокружности лучше всего наметить с помощью шнура, привязанного к гвоздю, забитому в центре диаметра полуокружности. Начертите линии обеих полуокружностей с помощью мела или строительного карандаша. Размеры бассейна, включая радиус полуокружностей, указаны на рис. 7 на стр. 7.

### 4.2.1 Монтаж профиля основания

Сначала соедините ровные сегменты профиля основания (ширина около 20 мм). Уложите ровные части профиля основания прямо у стены в зазоре в полистироле и выровняйте их по центру длины подпорной стены. Длина стены немного превышает длину ровных частей профиля.



Профессиональный совет по симметричному расположению ровных частей профиля: Измерьте по диагонали расстояние между концами ровных частей профиля (крест-накрест). У симметрично расположенных частей эти размеры будут одинаковыми. См. размер «а» на рис. 19.

Соедините закругленные сегменты профиля основания и разместите их на полуокружностях на торцах бассейна. Ориентируйтесь на намеченную контурную линию.

Проверьте точность размеров и симметрию профиля.



Профессиональный совет по укорачиванию профиля основания: Сначала соедините все сегменты и выровняйте профиль основания по контуру бассейна. Укорачивание профиля в случае необходимости проводите при установке стальной стенки, потому что только тогда станут заметны все отличия в размерах, которые затем можно будет откорректировать. См. часть 4.4.

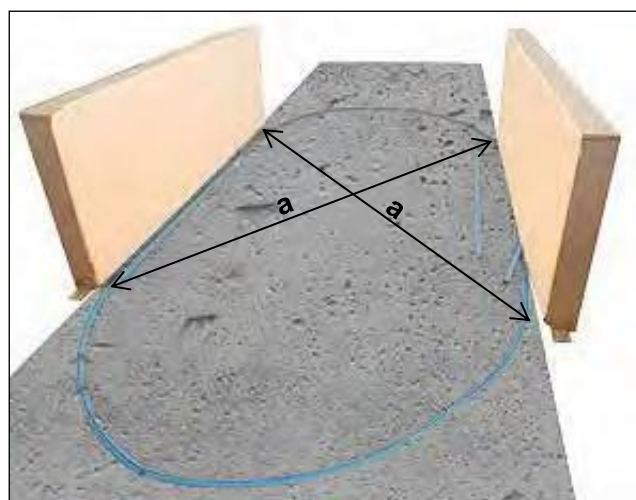


Рис. 19

### 4.3 Монтаж стальной стенки

Для продолжения монтажа внутри бассейна потребуется смонтированная лестница бассейна или строительная лестница.

Позднее при укладке внутренней пленки следите за тем, чтобы лестница ее не повредила.

Кроме того, перед началом монтажа перенесите свернутую стальную стенку внутрь бассейна.

Вместе с помощниками поместите стальную стенку приблизительно в то место, где затем будет установлен скиммер (уловитель грязи с поверхности воды), на толстые доски и картон для облегчения размотки стенки (рис. 20). Ни в коем случае не разматывайте стальную стенку прямо на бетонном основании во избежание ее повреждения.



Рис. 20



На заводе-производителе стальная стенка сворачивается в рулон всегда внешней стороной наружу.

Поэтому разворачивайте стенку в том же направлении, в каком она была свернута.

Кроме того, во избежание травмы предохраните стенку перед размоткой ремнем, лентой и т. п. и при размотке и монтаже стенки используйте рабочие перчатки. (рис. 21).



Рис. 21

Отверстие для скиммера обычно находится в начале разворачиваемой стальной стенки (примерно на расстоянии 1-2 м от начала рулона). Если стенка упакована в несколько коробок, то на каждой из них указано, о какой части стены и с какими отверстиями для конструктивных деталей идет речь.



Рис. 22



Рис. 23

Разворачивайте стальную стенку и вставляйте ее в профиль основания (рис. 22-23). Отверстие для скиммера должно находиться на требуемом месте (как можно ближе к фильтрующему устройству).

Форсунка возврата воды находится слева от скиммера (если смотреть снаружи).

Если на одной стороне стальной стенки установлен вставной соединительный профиль, выньте его.

У больших бассейнов стальная стенка разделена на две части. Это означает, что соединение частей вставным профилем осуществляется дважды.



**Важный совет:** Для временного закрепления стальной стенки можно во время монтажа установить некоторые сегменты верхнего профиля (см. рис. 24).



Рис. 24

У овальных бассейнов можно временно прикрепить стальную стенку на продольных сторонах к опорным стенам с помощью струбцин.



Рис. 25



Рис. 26

Следите за тем, чтобы стальная стенка прочно держалась в профиле основания.

#### 4.4 Укорачивание профиля основания и соединение концов стенки вставным профилем

Зазор между концами стальной стенки должен составлять около 5 мм, чтобы их можно было соединить с помощью вставного профиля. Это следует иметь в виду при корректировке/укорачивании профиля основания.



Рис. 27

##### Укорачивание профиля основания:

Разверните стальную стенку и измерьте возможное превышение длины профиля основания. Затем снова выньте стенку из профиля основания на отрезке примерно 50 см и укоротите профиль на соответствующую длину (при этом между концами стальной стенки должен остаться зазор 5 мм для вставного профиля).



**Важный совет:** Укорачивайте профиль основания всегда в закругленной части бассейна. Если профиль укорачивается более чем на 5 см, то для симметрии полуокружностей рекомендуется укоротить 2 сегмента профиля — по одному в каждой полуокружности на половину общей длины укорачивания.

Затем снова вставьте стальную стенку в профиль основания по всей длине и установите вставной профиль (см. рис. 28–30).



Рис. 28



Рис. 29

В зависимости от типа бассейна вставной профиль может иметь скошенную сторону. В таком случае установите вставной профиль так, чтобы скошенная сторона была направлена внутрь бассейна и вверх. Если скошенная сторона отсутствует, верх и низ не различаются.



Рис. 30

Для упрощения установки (задвигания) вставного профиля слегка покачивайте его из стороны в сторону. Можно также использовать резиновый молоток.



Рис. 31

Неправильная установка вставного профиля и сильные удары по нему могут привести к повреждению стальной стенки (и тем самым к потере гарантии) и нарушению стабильности бассейна.



Рис. 32



Рис. 33

Для защиты внутренней пленки бассейна от повреждения рекомендуется заклеить вставной профиль скотчем.

Дополнительные указания касательно овальных бассейнов: **Прикрепление стальной стенки**

В нижеследующем тексте предполагается, что высота подпорных стен соответствуют описанию, приведенному на стр. 9.

На участке подпорных стен прикрепите стальную стенку с помощью шурупов и уголков к верхней грани подпорной стены (при высоте бассейна 120 см крепить на высоте 110 см от земли, при высоте бассейна 150 см крепить на высоте 140 см от земли). Прикрепление проводится в горизонтальной плоскости. Для этого используйте шурупы, дюбели и металлические уголки, которые входят в поставку (см. рис. 34).



Рис. 34

Просверлите в стальной стенке соответствующие отверстия. Отшлифуйте края отверстий и нанесите антикоррозионное покрытие.



Рис. 35



Рис. 36



Рис. 37

Таким образом стальная стенка прикрепляется непосредственно к подпорной стене.

Для защиты внутренней пленки бассейна закройте головки шурупов клейкой лентой, которая не повредит ПВХ пленку (например, скотчем).

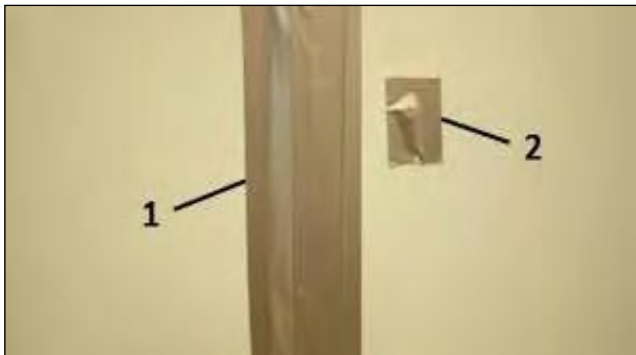


Рис. 38



**Внимание!** Проверьте горизонтальность установки бассейна. При отклонении от горизонтальности более чем на 2 см гарантия производителя утрачивает силу. В этом случае найдите причину отклонения и устраните проблему, например, путем выравнивания основания.

## 4.5 Подготовка отверстий для встраиваемого оборудования

**Предупреждение:** Соблюдайте также соответствующие инструкции по монтажу встраиваемых устройств, если таковые прилагаются. В случае сомнений обращайтесь к своему продавцу.

### 4.5.1 Скиммер (уловитель грязи с поверхности воды)



Рис. 39

- 1) Корпус скиммера
- 2) Адаптер для пылесоса
- 3) Тефлоновая лента
- 4) Переходник для шланга
- 5) Двойное уплотнение
- 6) Форсунка

Стальная стенка бассейна может иметь соответствующие заводские отверстия для скиммера. В случае их отсутствия необходимо просверлить и вырезать требуемые отверстия.

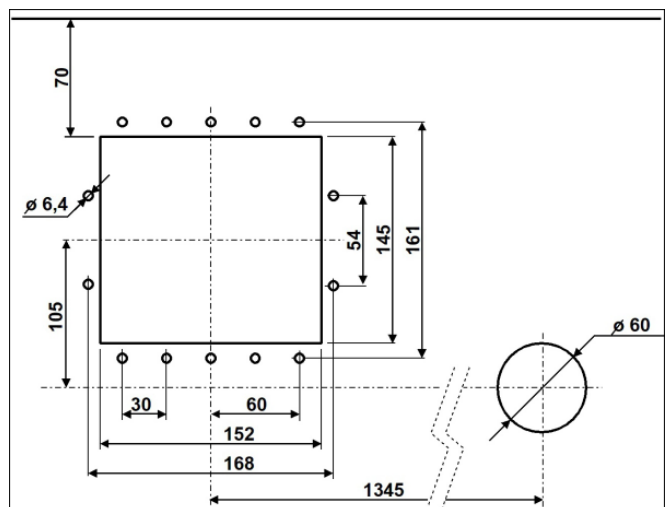


Рис. 40



На рисунке выше указаны размеры стандартного скиммера для его присоединения с помощью шлангов бассейна Ø 38 мм. При установке другого скиммера необходимо использовать правильный шаблон для отверстий или правильные размеры отверстий и расстояний между ними.

Перед установкой скиммера рекомендуется отшлифовать края вырезанных отверстий и обработать их антикоррозионным средством или полимерной краской.



Рис. 41

Если необходимо сразу обустроить трубопровод, рекомендуется установить корпус скиммера уже на этом этапе. Для этого наденьте двойное уплотнение на края отверстия по периметру (см. рис. 43), приложите снаружи к отверстию корпус скиммера и закрепите его с помощью предохранительных шурупов с полукруглой головкой (см. рис. 45). При наличии в поставке 2 отдельных уплотнений (вместо обычного двойного уплотнения скиммера) необходимо установить их в последовательности: корпус скиммера — уплотнение — стальная стенка — уплотнение (— внутренняя пленка бассейна — фланец скиммера).

То же самое действительно в отношении уплотнения форсунки/форсунок возврата воды (более подробно см. стр. 24, часть «Монтаж встраиваемого оборудования»).

В определенных случаях может возникнуть необходимость в сверлении дополнительных отверстий в стальной стенке (с последующей обработкой антикоррозионным средством), так как отверстия для шурупов не всегда подготовлены заранее.

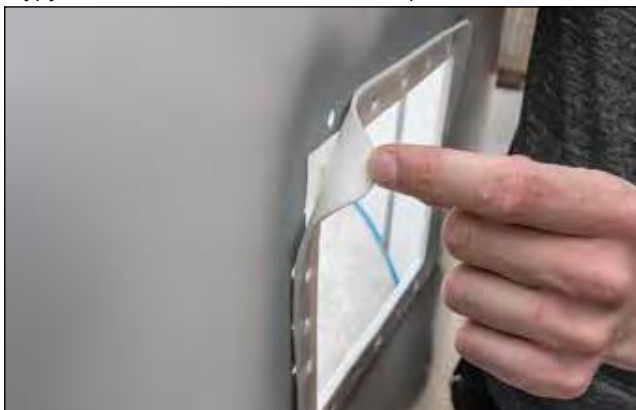


Рис. 42

Если трубопровод можно обустроить позднее, то скиммер также можно установить уже при монтаже внутренней пленки (см. стр. 20).



Рис. 43



Рис. 44



Шуруп фланца

Предохранительный

Рис. 45



Рис. 46

#### 4.5.2 Форсунка возврата воды

У бассейнов IBIZA, как правило, имеется одна форсунка возврата воды, установленная около скиммера. Здесь также необходимо обработать края отверстия антикоррозионным средством.



Рис. 47

##### 4.5.2.1 Форсунки возврата воды для жесткого трубопровода (при укладке в грунте)



**Очень важно у форсунок возврата воды для жесткого трубопровода: Необходимо установить корпуса форсунок уже на этом этапе перед монтажом внутренней пленки, поскольку речь идет о специальных форсунках с фланцем на стороне бассейна, что в отличие от обычных форсунок значительно упрощает замену пленки в будущем.**

Для окончательного монтажа форсунки необходим фланец ⑦. Этот фланец может находиться в накладке ⑥. Легким нажатием/изгибом накладке отделите фланец и установите его (см. рис. 48).



Рис. 48



Рис. 49

- 1) Стопорное кольцо
- 2) Шар регулировки потока
- 3) Корпус форсунки
- 4) Контргайка
- 5) Шурупы
- 6) Накладка
- 7) Фланец
- 8) Уплотнения
- 9) Уплотнение без отверстий

Дополнительное уплотнение без отверстий ⑨ (если оно входит в комплект форсунки) не используется у бассейнов со стальной стенкой.



Рис. 50

Наклейте на рамку фланца корпуса форсунки одно из двух самоклеящихся уплотнений.



Рис. 51



Рис. 52

Просуньте корпус форсунки в отверстие в стальной стене изнутри наружу.

Затем установите сзади стопорную гайку (на внешней стороне бассейна) на резьбу форсунки и затяните ее.



Рис. 53



Форсунки возврата воды со штуцером для присоединения шланга 32/38 мм устанавливаются при монтаже внутренней пленки (см. стр. 24).

#### 4.6 Укладка геотекстильной подложки

Необходимо вовремя завершить монтаж бассейна, иначе он может обрушиться. Если это невозможно сделать из-за погодных условий или по иным причинам, рекомендуется отложить укладку геотекстиля и в достаточной мере механически защитить стенки бассейна от воздействия ветра.

Для защиты внутренней пленки от прямого контакта с основанием и материалами, которые могут повредить ПВХ пленку, рекомендуется использовать защитную геотекстильную подложку или защитное полотно.

Однако защитный геотекстиль может только предохранять пленку, но не может компенсировать неровности основания.

Перед укладкой подложки необходимо тщательно очистить основание.

В некоторых случаях подложка уже соответствует размерам бассейна. При поставке подложки в рулонах укладывайте ее полосами и фиксируйте скотчем.



Рис. 54



Рис. 55

Вырежьте подложку, превышающую размеры бассейна примерно на 10 см, и уложите ее так, чтобы ее края поднимались по периметру у стенки бассейна на 5 см. Для небольших участков по краям можно использовать отрезки геотекстиля. Закройте подложкой профиль основания по всему периметру бассейна и приклейте края подложки к стальной стенке скотчем.



Рис. 56



Рис. 57

Выровняйте подложку и также склейте скотчем края соседних полос подложки.



Профессиональный совет по укладке подложки: Сделайте по краям подложки на закругленных участках овала небольшие клиновидные вырезы с шагом 20–25 см для устранения лишнего материала, чтобы подложка не собиралась складками (см. рис. 58-59).



Рис. 58



Рис. 59



Рис. 60

Возможные складки и перегибы подложки, которые могут возникнуть при ее транспортировке и хранении, со временем разгладятся сами под давлением воды.

#### 4.7 Крепление внутренней пленки и монтаж верхнего профиля



**Внимание! Монтаж внутренней пленки бассейна проводите при температуре от +15 до +25 °С, ни в коем случае при сильном солнечном свете!**

При слишком высокой температуре: Пленка становится мягкой, эластичной, слишком большой. При слишком низкой температуре: Пленка становится твердой, неэластичной, слишком маленькой (разница размеров по диаметру может достигать 50 см!).

После укладки подложки передвигайтесь внутри бассейна только в чистой обуви или в носках. Кроме того, следует снова вычистить все внутреннее пространство бассейна (например, пылесосом — см. рис. 61).



Рис. 61

Затем положите внутреннюю пленку посреди бассейна и разверните ее так, чтобы внешние швы дна находились на одинаковом расстоянии от стальной стенки по всему периметру, так как пленка всегда немного меньше бассейна.



Следите за тем, чтобы вертикальный шов не располагался в месте установки скиммера, возвратных форсунок или светильников. В противном случае не гарантируется герметичность.



**Внимание! Наступайте на внутреннюю пленку только босиком или в подходящей обуви.**



Рис. 62



Рис. 63

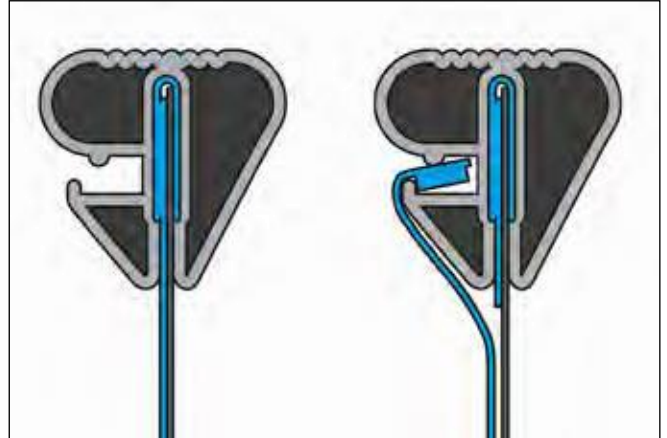
Внутренняя пленка вне зависимости от наличия верхнего профиля всегда имеет приваренную кайму — загиб для подвески (см. рис. 64).



Рис. 64

**Примечание по верхнему профилю:**

Боковой клиновидный паз на специальном комбинированном верхнем профиле предназначен для замены пленки в будущем, если на верхний профиль положен бордюр. Для этого старая пленка отрезается вдоль верхнего профиля, причем оставшаяся кайма (загиб) по-прежнему предохраняет кромку стенки бассейна. И затем новая внутренняя пленка с клиновидной каймой вместо каймы-загиба крепится в пазу верхнего профиля.



(Пример специального комбинированного верхнего профиля)

Край пленки с каймой-загибом для подвески наденьте на кромку стальной стенки бассейна и закрепите пленку несколькими сегментами верхнего профиля (см. рис. 65–67).



Рис. 65



Рис. 66



Рис. 67

Комплектный монтаж верхнего профиля проведите только после равномерного выравнивания швов пленки.

#### 4.7.1 Монтаж верхнего профиля (общая информация)

Соедините сегменты верхнего профиля с помощью соединительных колышков и ударами ладонью или резиновым молотком надвиньте его на край бассейна, закрепляя при этом кайму-загиб для подвески. При необходимости укоротите верхний профиль (см. рис. 68–70).



Рис. 68



Рис. 69



Рис. 70



Профессиональный совет: В комплект верхнего алюминиевого профиля входят 2 пластиковые крышки-накладки. При заполнении бассейна водой между некоторыми сегментами верхнего профиля может возникнуть вследствие растяжения стальной стенки большой зазор. По окончании монтажа бассейна используйте крышки-накладки для закрытия таких зазоров.

Стыки пластикового верхнего профиля закройте металлическими крышками-накладками (если они входят в поставку).

#### 4.7.2 Выравнивание складок



Возможные поперечные складки на настенной части выстилки (внутренней пленки) можно выровнять разглаживанием материала в области частично закрепленного верхнего профиля.

Разглаживайте складки в направлении от центра дна наружу к стене бассейна. В первую очередь следите за тем, чтобы шов выстилки находился точно в месте стыка дна и стенки бассейна. Перед наполнением бассейна водой швы выстилки должны располагаться на одинаковом расстоянии от края бассейна по всему периметру, а сама выстилка не должна иметь по возможности никаких складок. Так как размеры внутренней пленки бассейна всегда несколько меньше размеров самого бассейна с учетом ее растяжения под воздействием тепла и давления воды, необходимо обеспечить, чтобы швы дна находились на одинаковом расстоянии от стенки бассейна.



Рис. 71



Рис. 72

По окончании монтажа верхнего профиля оставшиеся складки на дне можно разгладить путем наполнения бассейна водой до высоты 2-3 см и разглаживания складок в направлении наружу.



Рис. 73

Если невозможно выровнять складки на стенке:

Если складки остаются и по достижении уровня воды 20–30 см, частично снимите верхний профиль (по участкам, никогда целиком) и сместите пленку в сторону для максимально возможного разглаживания складок. При этом внутренняя пленка должна быть всегда в достаточной мере закреплена верхним профилем во избежание ее соскальзывания на дно бассейна. Если несмотря на все усилия остаются недопустимо большие складки, единственным решением остается новый монтаж пленки.



Профессиональный совет: Для разглаживания пленки вдоль стен можно использовать обычный пылесос.

Для этого оберните конец шланга пылесоса геотекстилем и закрепите геотекстиль скотчем — это исключает присасывания конца шланга к пленке. Затем просуньте конец шланга через отверстие скиммера в пространство за пленкой. Для этого положите на крышку скиммера картон с отверстием, через которое просуньте шланг, и заклейте все скотчем для обеспечения герметичности. Условием для правильного функционирования является герметизация всех остальных отверстий, то есть заклеивание скотчем возвратной форсунки и скиммера с внешней стороны. Затем включите пылесос примерно на половину мощности. Воздух начнет отсасываться, и пленка постепенно натянется. Следует только разгладить складки, оставшиеся на пленке в местах перегибов при хранении в коробке.



Рис. 74



## 4.8 Монтаж встраиваемых деталей

Когда уровень воды достигнет примерно 20 см под соответствующим встраиваемым устройством, можно начать окантовку и монтаж (или завершить монтаж) встраиваемого оборудования.

### 4.8.1 Форсунка возврата воды

Для присоединения шланга 32/38 мм (см. рис 76): После выравнивания пленки вырежьте в ней отверстие в месте отверстия в стальной стенке для возвратной форсунки (вырезанное отверстие должно быть на 5–10 мм меньше отверстия в стальной стенке). Вложите уплотнение между пленкой и стальной стенкой и вставьте форсунку со вторым уплотнением в отверстие так, чтобы перед пленкой и за ней находились уплотнения. Затем закрепите форсунку, затянув контргайку на внешней стороне бассейна.



Предупреждение: Если в поставку входит двойное уплотнение, разделите его посередине на два отдельных уплотнения (см. рис. 75).



Рис. 75



Рис. 76

Для жесткого трубопровода 50 мм (см. рис. 77):

После выравнивания пленки сделайте отверстия для шурупов, например, с помощью шила (см. рис. 79). Приклейте второе уплотнение за фланцем так, чтобы оно находилось между пленкой и фланцем. Затяните шурупы фланца. Затем вырежьте пленку по отверстию (см. рис. 83). После чего снова затяните шар форсунки и стопорное кольцо и установите накладку.

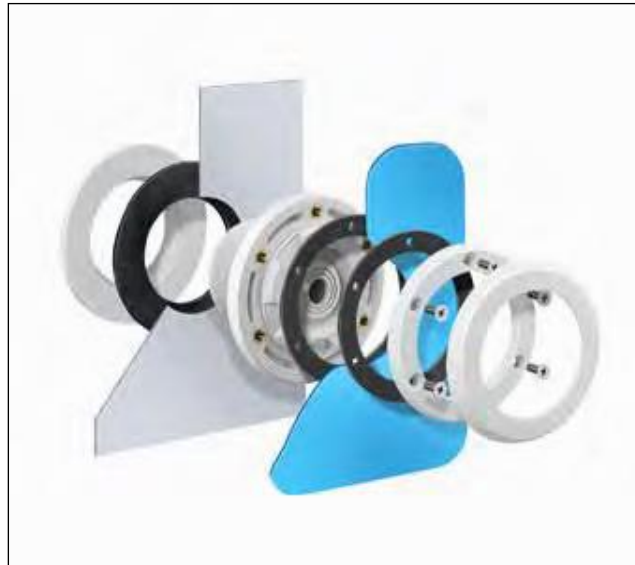


Рис. 77



Рис. 78



Рис. 79



Рис. 80



Рис. 81



Рис. 82



Рис. 83

#### 4.8.2 Скиммер (уловитель грязи с поверхности воды)

Сделайте отверстия для шурупов и с помощью крестовой отвертки прикрепите фланец.

Если корпус скиммера устанавливается во время монтажа пленки, вложите двойное уплотнение в отверстие в стальной стенке, держите корпус снаружи, сделайте отверстия для шурупов на внутренней стороне и прикрутите шурупами фланец.

Затем вырежьте отверстие для скиммера и установите накладку фланца. Верх фланца и накладки обычно обозначен словом «Тор».

Вставьте в скиммер клапан и корзинку.



Рис. 84



Рис. 85



Рис. 86



Рис. 87

### Корзинка скиммера:

При эксплуатации бассейна необходимо регулярно очищать корзинку скиммера от грязи и листьев для обеспечения правильной работы фильтрующего оборудования. Для этой цели, а также для чистки дна пылесосом, крышка скиммера должна быть легко доступна. Необходимо следить за правильной установкой корзинки скиммера, чтобы она не поднималась и не блокировала клапан скиммера и, тем самым, поток воды (рис. 88).



Рис. 88

Адаптер для пылесоса используйте только вместе со шлангом донного пылесоса, но не во время нормальной работы фильтра!

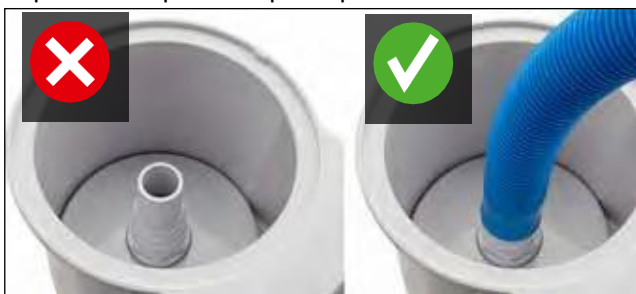


Рис. 89

## 4.9 Завершение монтажа технологического оборудования

Перед полным заполнением бассейна водой и завершением его монтажа необходимо соединить/подключить отдельные технологические устройства (скиммер, форсунку возврата воды, светильники, устройство противотока и т. д.).

Соединительные трубопроводы должны быть жесткими или гибкими в трубе ПВХ, устойчивой к давлению грунта и воды. Все трубопроводы должны быть доступны для контроля или же испытаны на герметичность. При установке фильтра над уровнем воды в бассейне рекомендуется установить обратный клапан на всасывающей линии фильтрационного насоса.

Электрические кабели следует прокладывать в электротехнических трубах вплоть до места установки машинного отделения / распределительного устройства.

## 5 Обсыпка сухим бетоном

У круглых бассейнов вся заглубленная часть обсыпается со всех сторон сухим тощим бетоном. У овальных бассейнов достаточно провести обсыпку на торцевых закругленных сторонах. Обсыпка за подпорными стенами не требуется. По окончании монтажа заполните бассейн водой. Круглые бассейны можно наполнить полностью. Овальные бассейны необходимо наполнять водой постепенно, вместе с наружной обсыпкой. Перед засыпкой бетоном предохраните внешнюю сторону стальной стенки на закругленных участках бассейна строительной пленкой и полистироловыми листами (толщ. 15–25 мм). Засыпайте стенку бассейна в несколько слоев (каждый высотой не более 50 см) увлажненным тощим бетоном С8/10 (или в соотношении примерно 1:10 в зависимости от зернистости щебня). В любом случае перед насыпкой следующего слоя нижележащий слой должен полностью затвердеть. Соответствующие слои бетона можно сбоку ограничить опалубочными панелями и т. п. После затвердевания слоя переместите опалубочные панели вверх для формирования следующего слоя. Одновременно с обсыпкой закругленных сторон овального бассейна бетоном необходимо досыпать и утрамбовывать почву за подпорными стенами, чтобы кирпичная конструкция могла противостоять давлению воды. Бетон не должен быть слишком мокрым. Бетон нельзя трясти и утрамбовывать. При естественном грунте (например, связной глине) толщина бетона должна составлять не менее 15 см. При сыпучих грунтах рекомендуемая толщина бетона составляет около 30 см.



**Профессиональный совет:**  
Альтернативой обсыпки бетоном является обнесение закругленных сторон бассейна кирпичной стеной и засыпка внешнего пространства грунтом с последующей утрамбовкой.



**При обсыпке бетоном уровень воды должен быть всегда не менее чем на 30 см выше внешнего бетонного слоя для компенсации внешнего давления.**

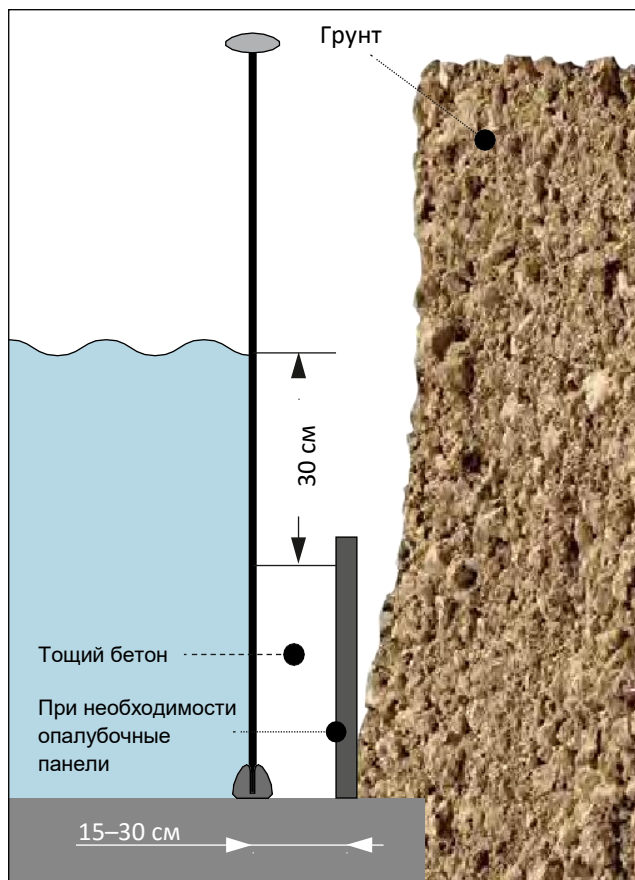


Рис. 90

При обсыпке бетоном убедитесь, что стенка бассейна не деформируется под давлением бетона.

Необходимо также избегать слишком большого давления бетона на встроенный скиммер, так как это может привести к деформации и последующему заклиниванию клапана скиммера. Рекомендуется разместить вокруг скиммера полистирол или подобный материал для компенсации давления бетона. Необходимо также избегать какого-либо повреждения стальной стенки бассейна, так как это может привести в дальнейшем к ее коррозии и потере гарантии производителя. При появлении на стальной стенке царапин и подобных повреждений сразу же обработайте их антикоррозионным покрытием.

## 6 Прочее

### 6.1 Уровень воды и клапан скиммера

Уровень воды в бассейне следует установить по отверстию скиммера. Оптимальным является уровень от 1/2 до 2/3 высоты отверстия скиммера (см. рис. 91). В любом случае необходимо избегать слишком низкого уровня, так как это может привести к повреждению фильтрационного насоса. Необходимо также обеспечить постоянное свободное движение клапана скиммера и правильную установку корзинок во избежание остановки тока воды.

Адаптер для пылесоса можно устанавливать только при очистке дна донным пылесосом и использовании шланга, подключенного к пылесосу — см. ниже.

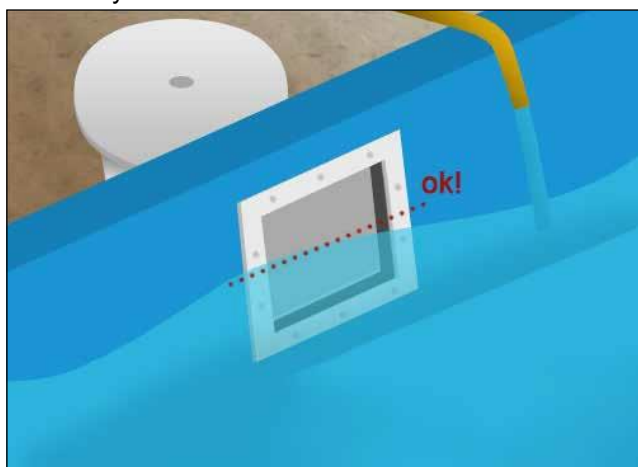


Рис. 91

### 6.2 Вход в бассейн

Каждый бассейн должен быть оборудован удобной лестницей для входа. Различают лестницы, предназначенные для частично и полностью заглубленных бассейнов, и лестницы для надземных бассейнов — частично встраиваемых и отдельно стоящих.

#### 6.2.1 Лестница для надземного бассейна

Для отдельно стоящих или частично заглубленных бассейнов рекомендуется использовать лестницу для надземных бассейнов. Ее можно приспособить по необходимости (у частично заглубленных бассейнов) путем укорочения наружной части конструкции с помощью пилки по металлу и т. п. Место отпила очистите от заусенцев. Затем наденьте на ножки лестницы наконечники.

Смотрите инструкцию по монтажу и эксплуатации соответствующей лестницы.

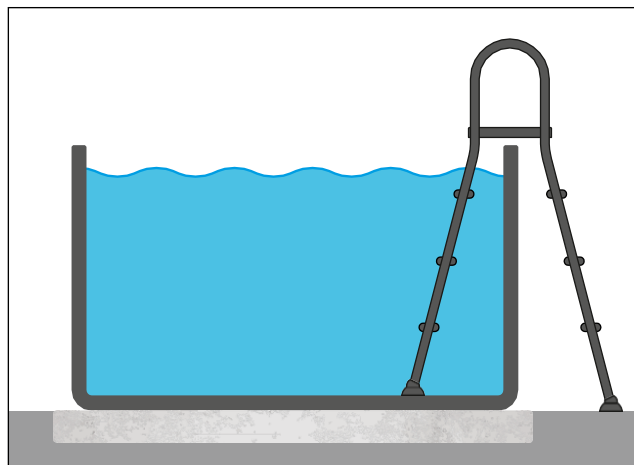


Рис. 92

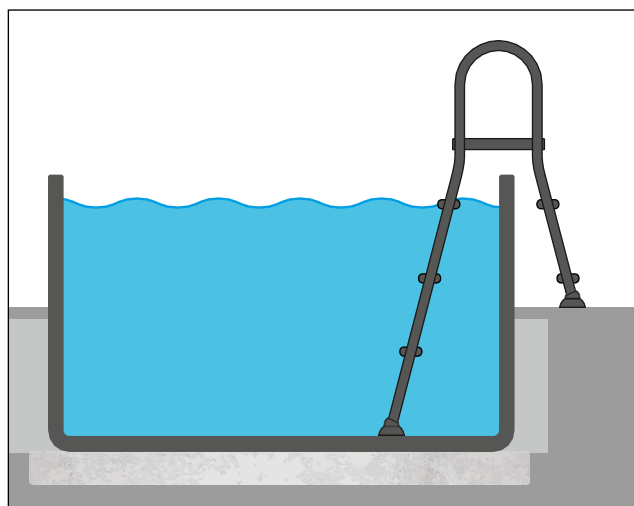


Рис. 93

#### 6.2.2 Лестница для заглубленного бассейна

Лестницы из высококачественной стали для заглубленных бассейнов можно монтировать двумя способами. Соблюдайте инструкции по монтажу для соответствующей лестницы.

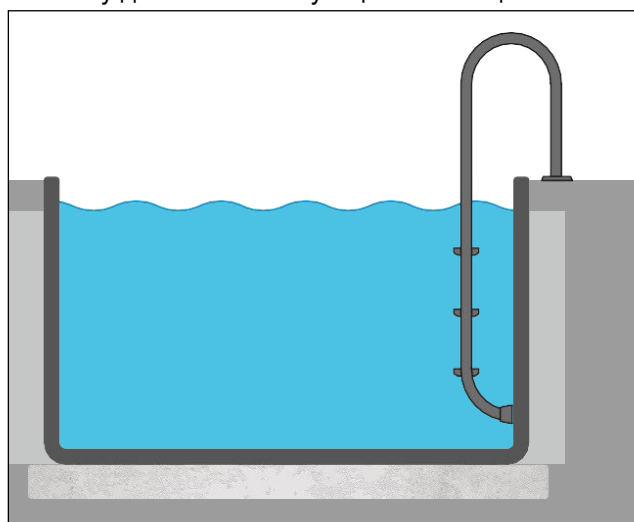


Рис. 94

### 6.3 Советы по использованию бассейна

- a. Перед входом в бассейн примите душ и ополосните ноги. Не входите в бассейн в обуви во избежание повреждения ПВХ пленки.
- b. Для выхода из бассейна используйте лестницу.
- c. Поддерживайте предписанный уровень воды — приблизительно на высоте середины фланца скиммера. Имейте в виду, что вода испаряется из бассейна при любой погоде, и поэтому ее нужно дополнять. Естественное испарение воды является нормальным явлением, и не стоит путать его с утечкой воды из-за нарушения герметичности.
- d. Регулярно проверяйте бассейн и его оборудование на предмет утечки воды. Возможные утечки устраните путем затягивания или герметизации соответствующего соединения.
- e. Правильный уход за водой бассейна является одной из важнейших предпосылок для поддержания бассейна в безопасном для здоровья состоянии.
- f. Температура воды в бассейне не должна превышать 30 °С. Оптимальная температура составляет около 25 °С. Теплая вода не освежает и, кроме того, снижает эффективность дезинфицирующего средства и создает хорошие условия для роста водорослей. Высокая температура воды также приводит к размягчению пленки бассейна и риску возникновения складок на пленке. Если температура воды в бассейне достигнет 30 °С, не используйте подогрев воды, снимите покрывало и замените часть воды более холодной.

### 6.4 Ремонт внутренней пленки

Повреждение ПВХ пленки можно легко устранить с помощью ремонтного набора для склеивания под водой.

### 6.5 Уход за бассейном

Сочетание механической и химической очистки воды обеспечивает чистую и прозрачную воду в течение всего времени.

#### Механическая очистка воды:

Мелкие загрязнения (например, пыльца, трава, волосы) удаляются с поверхности воды посредством скиммера и системы фильтрации. Грубые загрязнения (листья, насекомые) удаляйте с помощью сачка и/или донного пылесоса.

Ручная очистка дна (отсос) требует наличия системы фильтрации и скиммера / поверхностного грязеуловителя. Перед ручной очисткой необходимо сначала тщательно промыть песчаный фильтр.

#### Ручной отсос грязи со дна:

В поставку скиммера входит, как правило, адаптер для пылесоса. Для чистки бассейна необходимы щетка, телескопическая штанга и всасывающий шланг (для присоединения щетки к адаптеру).

Присоедините всасывающий шланг и телескопическую штангу к щетке. Наполните всасывающий шланг водой и наденьте его на наконечник адаптера. Установите адаптер на фильтрующую корзину скиммера. Установите клапан песчаного фильтра в положение «Фильтрация» и включите фильтр — теперь можно начать чистку.

Убедитесь в том, что всасывающий шланг полностью заполнен водой, чтобы насос бассейна не всасывал воздух!



Профессиональный совет по удалению воздуха из всасывающего шланга: Для полного обезвоздушивания шланга для ручной чистки можно на короткое время приставить шланг к форсунке возврата воды при включенном фильтре. Поток воды вытеснит весь воздух из шланга. Отсутствие пузырьков воздуха на выходе из другого конца шланга или из щетки означает полное удаление воздуха, после чего можно выключить фильтр.

Если все же в песчаный фильтр попадет какое-то количество воздуха, необходимо выключить насос и все снова развоздушить. Система фильтрации обычно развоздушивается автоматически. Очистку дна необходимо проводить медленными равномерными движениями щетки (при слишком быстром движении осадки могут взвихриться и разлететься в разные стороны). В случае использования песчаного фильтра без предварительного фильтра необходимо предусмотреть скиммер с фильтрующей корзиной!

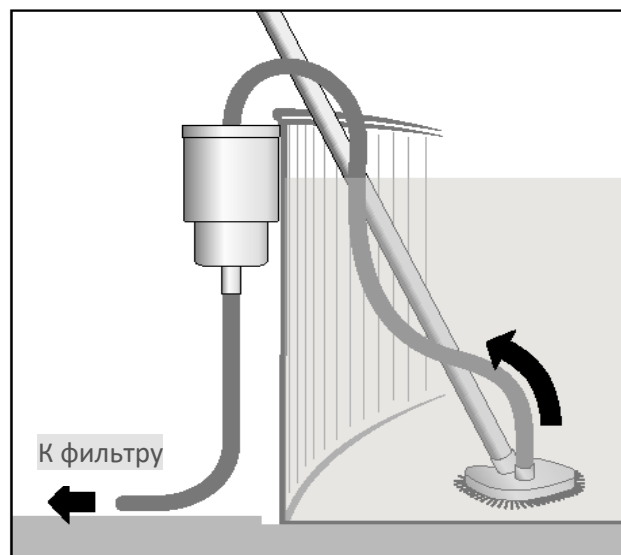


Рис. 95

Снижение мощности фильтра может быть вызвано следующими причинами:

- 1) Загрязнен фильтрующий песок. → Проведите очистку фильтра.
- 2) Насос всасывает воздух (наличие пузырьков воздуха в воде, поступающей из форсунки возврата воды). → Дефектные шланги. Проверьте шланговые хомуты.
- 3) В скиммер поступает слишком мало воды. → Проверьте и при необходимости повысьте уровень воды.
- 4) Засорена корзина скиммера. → Очистите корзину.
- 5) Засорена корзина предварительного фильтра насоса фильтрации. → Очистите корзину.

### Химическая очистка воды:

При очистке воды с помощью химических средств невозможно предоставить общее руководство по дозированию и технологическому режиму. Все бассейны отличаются по типу, посещаемости, окружающей среде, климатическим условиям и т. п. При дозировании химикатов необходимо исходить из действительных измеренных значений. Поэтому рекомендуется использовать набор для измерения рН и свободного хлора или другого активного вещества. По результатам измерений можно потом точно дозировать химические реагенты. Это поможет избежать излишнего воздействия химических средств на купающихся людей. Соблюдайте следующие правила:

- При выборе химикатов учитывайте их эффективность и возможность использования.
- Храните реагенты для бассейна в темном, прохладном, сухом и недоступном для детей месте.
- Перед использованием реагентов познакомьтесь с правилами оказания первой помощи, соблюдайте указания по технике безопасности и предостережения, приведенные на упаковках.
- При использовании химических средств соблюдайте инструкции производителя. При обращении с реагентами соблюдайте правила личной гигиены и по окончании работ тщательно вымойте руки.
- Не вкладывайте никаких химикатов в корзину скиммера. Для дезинфицирующих средств в виде хлорных таблеток рекомендуется использовать специальный поплавок или дозатор хлора. При использовании плавающего дозатора вложите в него соответствующее количество таблеток и поместите его на поверхность воды. Включение фильтра поможет более быстрому распределению хлора во всем объеме бассейна. После растворения хлора выньте поплавок из бассейна и уберите его в безопасное место. Если вы захотите использовать бассейн еще до растворения реагента, выньте поплавок и поместите его в место, где хлор не приведет к какой-либо травме или ущербу. Особенно исключите доступ детей.
- Не пользуйтесь бассейном во время применения каких-либо химических средств.

### 6.6 Консервация бассейна на зиму

Все встроенные бассейны должны оставаться зимой частично заполненными водой для компенсации внешнего давления.

Рекомендуется сначала установить рН 7,0 и при каком-либо замутнении воды или появлении водорослей применить шоковое хлорирование.

Затем необходимо снизить уровень воды до отметки 10 см под форсунками возврата воды и слить всю воду из трубопроводов и системы фильтрации. Форсунки подачи воды можно закрыть зимними крышками.

При наличии в бассейне точечных светильников уровень воды должен находиться под ними или над ними.

После понижения температуры добавьте в воду зимний консервант. Для компенсации давления льда на стенки бассейна рекомендуется использовать компенсаторы давления льда.

## 7 Правила безопасности

### Общие правила безопасности:



**Никогда не оставляйте детей без присмотра в бассейне или около него. Познакомьте детей с возможными опасностями, связанными с использованием бассейна. Научите детей плавать. Закройте бассейн тентом/покрывалом, если бассейн не используется. После еды или загорания избегайте медленного во избежание коллапса системы кровообращения или остановки сердца!**



**Первая помощь при несчастном случае при купании: Немедленно вытащите пострадавшего из бассейна. Проверьте у пострадавшего пульс и дыхание. При необходимости немедленно начните делать искусственное дыхание изо рта в рот и искусственный массаж сердца. Вызовите скорую помощь.**

**Предостережение! Не вносите никаких изменений в конструкцию смонтированного и наполненного водой бассейна. Это может привести к обрушению бассейна и/или важной травме.**

### Правила техники безопасности:

- Перед использованием бассейна, пожалуйста, внимательно прочитайте все руководство и при необходимости обращайтесь за разъяснениями к производителю или специалисту. Соблюдайте рекомендации, которые служат для обеспечения безопасности вас самих и других пользователей бассейна. Пожалуйста, храните данное руководство в безопасном месте для дальнейшего использования.
- Предварительное предупреждение: Ниже приведено описание (без претензий на полноту) типичных рисков, связанных с использованием бассейна. Однако невозможно перечислить все риски для каждого конкретного случая. Поэтому главный совет: Во время отдыха в бассейне и рядом с ним руководствуйтесь здравым смыслом.

### Безопасность людей, не умеющих плавать:

- Всегда убедитесь, что люди, не умеющие плавать, и неопытные пловцы — особенно маленькие дети — находятся под присмотром лиц, которые могут помочь утопающему и позвать на помощь.
- Во избежание недоразумений: Определите конкретного человека, который будет присматривать за купающимися и сможет оказать помощь в случае необходимости.
- Людям, не умеющим плавать, и неопытным пловцам следует использовать индивидуальные плавательные средства.
- Уберите из бассейна и вблизи него все игрушки, если бассейн не используется или не находится под присмотром, чтобы они не привлекали внимание детей.

## Безопасный доступ к бассейну:

- Если нет возможности поднять или опустить ваше устройство для входа в бассейн (лестницу) и таким образом избежать риска случайного падения детей в бассейн и несчастного случая, рекомендуется использовать устройства безопасности для предотвращения несанкционированного доступа к бассейну.

## Устройства безопасности:

- Устройства безопасности могут исключить случайное попадание детей в бассейн и тем самым предотвратить риск несчастного случая. В общем случае эти устройства также препятствуют несанкционированному доступу к бассейну. Поэтому настоятельно рекомендуется использовать устройства безопасности для вашего бассейна. В зависимости от конкретных условий это может быть, например, ограждение, покрытие со специальной защитой от ранения, павильон или система сигнализации.
- Кроме того, рекомендуется защитить окна и двери вашего дома, включая доступ на ваш участок, от проникновения посторонних людей, и таким образом предотвратить несанкционированное использование бассейна.
- Имейте, пожалуйста, в виду: Защитные средства могут сделать отдых в бассейне безопасным, но никогда не заменят постоянный присмотр взрослого за детьми, который может оказать помощь в случае необходимости.

## Средства спасения:

- Рекомендуется иметь вблизи бассейна средства спасения (например, спасательный круг).
- Убедитесь, что вблизи бассейна находится действующий телефон и справочник телефонов первой необходимости для быстрого вызова помощи, если она понадобится.

## Безопасное использование бассейна:

- Побуждайте всех пользователей бассейна и главным образом детей, чтобы они научились плавать.
- Ознакомьтесь с правилами оказания первой помощи (сердечно-легочная реанимация) и регулярно обновляйте свои знания. При несчастном случае такое знание может стать вопросом жизни и смерти.
- Перед использованием бассейна объясните всем отдыхающим и особенно детям, что следует делать при несчастном случае.
- Ни в коем случае не прыгайте в бассейн с малым количеством воды. Это может привести к важной травме или смерти.
- Не пользуйтесь бассейном, находясь под воздействием алкоголя или лекарственных препаратов, которые могут повлиять на вашу способность безопасного пользования.
- Если бассейн оснащен покрытием: Перед использованием бассейна убедитесь, что покрытие полностью поднято или удалено с поверхности воды.

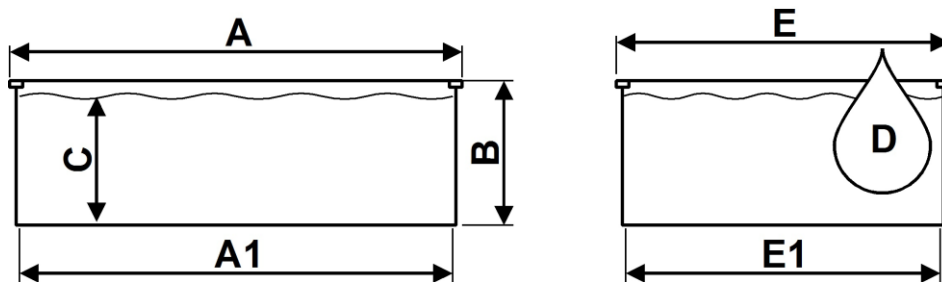
- Для защиты купающихся от болезней, передающихся через воду, необходимо следить за чистотой воды и поддерживать бассейн в надлежащем санитарно-гигиеническом состоянии — см. указания и информацию о подготовке воды в руководстве по эксплуатации.
- Храните химикаты и реагенты для обработки воды (например, реагенты для очистки воды, чистящие или дезинфицирующие средства) в недоступном для детей месте.
- Переносная лестница должна устанавливаться на горизонтальной поверхности.
- Предохраняйте купающихся от болезней, вызываемых загрязненной водой. Поддерживайте воду в бассейне в надлежащем санитарно-гигиеническом состоянии и соблюдайте правила личной гигиены.

В радиусе 2 м от входа в бассейн поместите предупреждающую самоклеящуюся. Необходимо иметь в виду, что глубина бассейна не достаточна для безопасных прыжков в воду — риск получения травмы.





## Приблизительные размеры бассейна и объем воды в нем



Тип бассейна	A1 [см]	A [см]	B [см]	C [см]	D [м³]	E1 [см]	E [см]
Ø 3,6 x 1,2 / 1,5 м	Ø 360	Ø 364	120 / 150	105 / 135	10,7 / 13,7	-	-
Ø 4,0 x 1,2 / 1,5 м	Ø 400	Ø 404	120 / 150	105 / 135	13,2 / 17,0	-	-
Ø 4,6 x 1,2 / 1,5 м	Ø 460	Ø 464	120 / 150	105 / 135	17,5 / 22,5	-	-
Ø 5,0 x 1,2 / 1,5 м	Ø 500	Ø 504	120 / 150	105 / 135	20,6 / 26,5	-	-
Ø 6,0 x 1,2 / 1,5 м	Ø 600	Ø 604	120 / 150	105 / 135	29,7 / 38,2	-	-
3,2 x 5,25 x 1,2 / 1,5 м	525	529	120 / 150	105 / 135	15,5 / 20,0	320	324
3,2 x 6,0 x 1,2 / 1,5 м	600	604	120 / 150	105 / 135	18,0 / 23,0	320	324
3,5 x 7,0 x 1,2 / 1,5 м	700	704	120 / 150	105 / 135	23,0 / 30,0	350	354
4,16 x 8,0 x 1,2 / 1,5 м	800	804	120 / 150	105 / 135	31,0 / 40,0	416	420
4,16 x 10,0 x 1,2 / 1,5 м	1000	1004	120 / 150	105 / 135	40,0 / 51,5	416	420
6,0 x 12,0 x 1,2 / 1,5 м	1200	1204	120 / 150	105 / 135	67,5 / 87,0	600	604

Класс герметичности бассейна: W<sub>2</sub>

Желаем вам много радости с вашим бассейном!

# Mountfield

SR

# Mountfield



## IBIZA

Kružni i ovalni bazeni

### UPUTSTVO ZA UGRADNJU

# IBIZA

## Kružni i ovalni bazeni

# UPUTSTVO ZA UGRADNJU



### Bezbednosni podaci

Prvo pročitajte celo uputstvo za ugradnju, uključujući smernice o bezbednosti, i sledite ih tokom izgradnje i upotrebe bazena.

Koristite odgovarajuće bezbednosne uređaje kako biste sprečili nekontrolisan pristup bazenu, posebno deci mlađoj od 5 godina, čime ćete sprečiti da se udave ili ozbiljno povrede.

Neplivači i deca moraju biti pod stalnim nadzorom iskusne osobe. Imajte na umu da smernice za bezbednost i bezbednosni uređaji ne mogu da zamene lični nadzor od strane obučene osobe, oni mogu samo da joj pomognu.

Detaljnije informacije možete pročitati na strani 30.

## Sadržaj

1	Važne napomene.....	3
1.1	Uzemljenje bazena .....	3
2	Uvodne informacije .....	3
2.1	Delovi bazena .....	3
2.2	Položaj bazena .....	4
2.3	Mesto filtera .....	4
2.4	Opcije prostornog uređenja .....	4
2.5	Priprema podloge .....	5
2.6	Obloga bazena .....	5
3	Priprema za izgradnju.....	6
3.1	Jama za kružni bazen .....	6
3.2	Osnovna ploča .....	6
3.3	Jama za ovalni bazen .....	7
4	Ugradnja bazena.....	10
4.1	Ugradnja kružnog bazena .....	10
4.2	Ugradnja ovalnog bazena .....	11
4.3	Ugradnja čeličnog zida.....	12
4.4	Obrada obruba donjih ivica zida i spajanje krajeva zida pomoću kliznog dela .....	13
4.5	Priprema otvora za dodatnu opremu .....	15
4.6	Postavljanje zaštitnih geotekstilnih umetaka.....	19
4.7	Kačenje obloge bazena i postavljanje obruba gornje ivice zida .....	20
4.8	Postavljanje delova koje treba ugraditi .....	24
4.9	Završetak postupaka tehničke ugradnje.....	26
5	Suvi beton oko bazena.....	27
6	Razno .....	28
6.1	Nivo vode i klapna skidača pene.....	28
6.2	Ulazak u bazen .....	28
6.3	Saveti za korišćenje bazena .....	29
6.4	Popravka obloge .....	29
6.5	Održavanje.....	29
6.6	Priprema za zimsku sezonu .....	30
7	Bezbednosna pravila.....	30

## 1 Važni komentari



**Pažljivo pročitajte sve delove ovog dokumenta i strogo sledite sva uputstva.**

Ilustracije i slike u ovom dokumentu su delimično simbolične i tipične prezentacije kako bi čitaocu pružile opštu ideju o opisanoj temi.

Pregledajte isporučeni(e) paket(e) pre početka montaže da biste bili sigurni da su svi delovi bazena isporučeni. Pregledajte sve delove da biste otkrili da li ima bilo kakvih nedostataka. Mountfield ne snosi odgovornost za štetu koja nastane tokom isporuke ako je prijavljena nakon montaže delova. Mountfield zadržava pravo na promene koje su rezultat tehnološkog napretka.



**Vodite računa da čelični zid bude u kontaktu samo sa odgovarajućim građevinskim materijalima.**

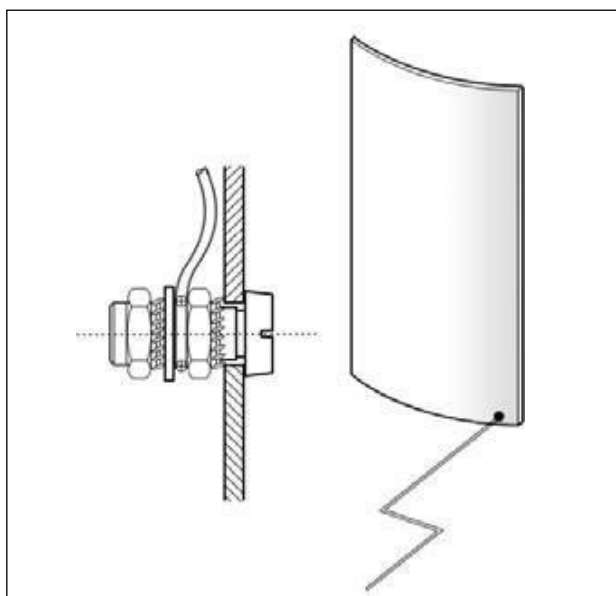
**Na primer, ako nameravate da koristite silikon, uverite se da taj materijal ne sadrži kiseline koje mogu oštetiti zaštitni sloj čeličnog zida i potencijalno dovesti do korozije. Možda će biti neophodno da se utvrdi da li su planirani materijali prikladni za predviđenu upotrebu.**

### 1.1 Uzemljenje bazena

Zid bazena i svi metalni delovi velike površine moraju biti povezani u skladu sa važećim lokalnim propisima. To je posao za kvalifikovanog električara. U tu svrhu se može probušiti čelični zid u donjem delu (a zatim se tretira cink sprejem ili plastičnom bojom) i kabl za uzemljenje se spoji sa metalnim zavrtnjem (slika 1). Kabl se usmeri od zavrtnja do kraka za uzemljenje.



**Upozorenje: Sve električarske radove mora biti izvršiti kvalifikovana kompanija u skladu sa važećim električnim standardima (kao što je DIN VDE 0100 deo 702).**



Sl. 1

## 2 Uvodne informacije

### 2.1 Delovi bazena



Sl. 2



Gornja slika ne prikazuje sve isporučene delove. Konstrukcija i boja ispučenih delova mogu se razlikovati od prikazanih.



Ilustracije i slike koje su ovde prikazane mogu se razlikovati od proizvoda koji je dostavljen. One su namenjene samo za to da pomognu čitaocu da razume ovaj tekst. Proizvođač zadržava pravo da vrši izmene bez prethodne najave.

## 2.2 Položaj bazena

Bazen treba da bude na sunčanom mestu, ako je dostupno, ne previše daleko od kuće. Skidač pene (koji prikuplja stranu materiju sa površine vode u bazenu) treba da bude smešten niz vetar, tako da se svaka strana materija koja pluta na površini uz pomoć vetra gura na skidač pene. Međutim, ono što je još važnije, je da se skidač pene mora postaviti na stranu koja je bliža filteru.

## 2.3 Mesto filtera

Ugradite sistem za filtriranje što je moguće bliže bazenu. Poželjno je da usisne cevi (cevi skidača pene) budu kraće od povratnih cevi (cevi mlaznice).

Sistem za filtriranje može se ugraditi u šahtu, u kući, u baštenskoj kućici itd. Ako je izabrana ugradnja u kući i u šahtu, pod mora imati odvod u slučaju curenja vode. Voda iz povratnog ispiranja takođe se mora ispustiti, otprilike 200 litara svake 1-2 nedelje. To se može uraditi pomoću fiksnih cevi ili creva čiji se kraj nalazi u odvodu.

Ako je sistem filtera iznad nivoa vode, povratni ventil mora da bude ugrađen sa usisne strane, odnosno na cevima skidača pene. Taj filter mora biti postavljen na udaljenosti od 1–1,5 m od sistema za filtriranje peska i mora biti dostupan u svakom trenutku.

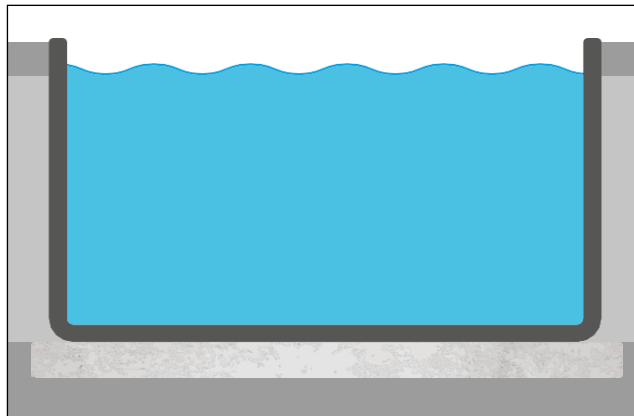
Planirana metoda zagrevanja vode je takođe važan faktor prilikom izbora mesta za sistem filtera. Ako će se bazen zagrevati pomoću solarnog sistema, sistem filtera treba da bude ugrađen što je moguće bliže solarnom apsorberu. Čak i ako se planira toplotna pumpa vazduh-voda za ugradnju na otvorenom, sistem filtera treba ugraditi i u bašti. Međutim, ako je izmenjivač toplote povezan sa sistemom centralnog grejanja, ugradnja filtera u kući je praktično neizbežna.

## 2.4 Opcije prostornog uređenja

### 2.4.1 Opcije prostornog uređenja – kružni bazen

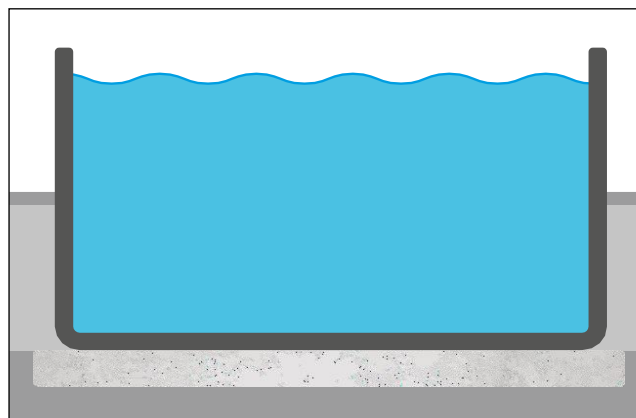
Postoje tri različite opcije za ugradnju kružnog bazena bez obzira na njegovu dubinu i veličinu:

#### Ukopani bazen



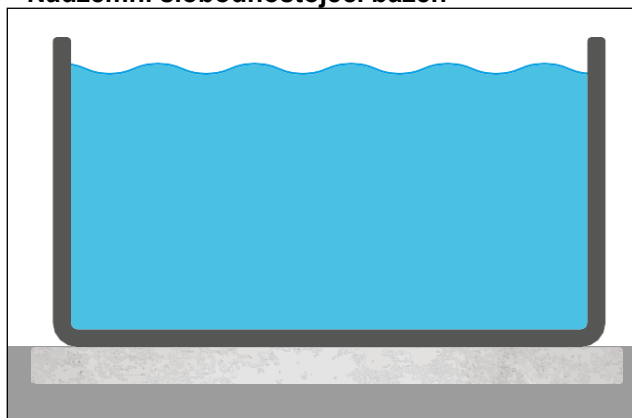
Sl. 3

#### Poluukopani bazen



Sl. 4

#### Nadzemni slobodnostojeći bazen



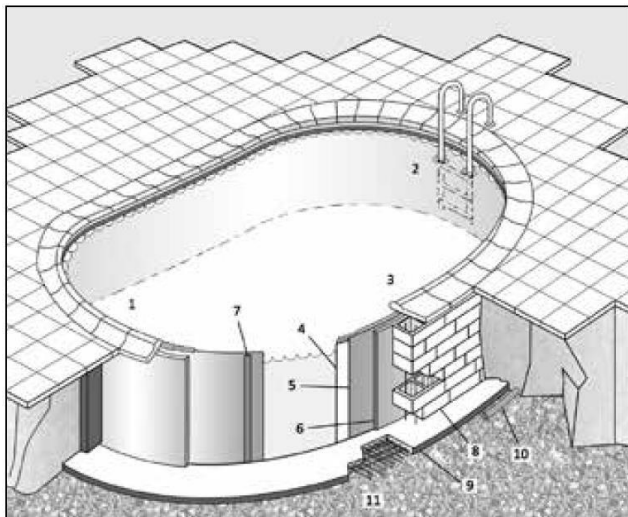
Sl. 5

Bazeni čija je dubina 150 cm moraju uvek biti najmanje 60 cm ukopani u zemlju. Za takve bazene i za ukopane i poluukopane bazene, oblast oko ukopanog dela mora se uvek nasuti tankim betonom.

## 2.4.2 Opcije prostornog uređenja – ovalni bazen

Ovalni bazeni se ne mogu ugraditi proizvoljno, a njihov ukopani deo mora obuhvatiti najmanje 2/3 njihove ukupne visine. Mesto za ugradnju mora biti opremljeno betonskom podlogom i potpornim zidovima na dugim stranama, koji moraju biti spojeni sa podlogom pomoću čelične armature.

Kada je izgradnja završena, oblast oko prednjih strana do ovalnog bazena mora biti popunjena tankim betonom ili izidana.



Sl. 6

- 1) Strana za skidač pene/mlaznicu
- 2) Stepenice za bazen
- 3) Svetla bazena koja bacaju svetlost od mesta za ugradnju (ako su prisutna)
- 4) Obloga bazena
- 5) Čelični zid
- 6) Građevinske table + polistiren
- 7) Odeljak za spajanje čeličnog zida
- 8) Potporni zid (armirani)
- 9) Osnovna ploča od armiranog betona
- 10) Odvod za vodu
- 11) Šljunak (osnova)

## 2.5 Priprema podloge

Podloga za bazen mora da zadovolji odgovarajuće zahteve za statičku čvrstoću i mora biti čvrsta i kompaktna. Sve nagnute površine moraju se ukloniti.

Nikada nemojte praviti bilo kakve zatrpene rupe na padinama! Sve padine moraju imati potporne zidove. Nikada nemojte podupirati padine pomoću zida bazena!

Podloga za bazen mora biti prirodna, ne mora se sastojati od punjenja. Sva zemlja koja se nasipa treba da bude sabijena tako da bazen ne potone, jer će inače biti potrebno više napora prilikom izgradnje temelja. U slučaju sumnje, obratite se stručnom inženjeru ili građevinskom inženjeru.



**Važno prilikom ugradnje bazena u zemlju: Bazen ne sme da uđe u područje podzemne vode! Ako se tokom radova iskopavanja naiđe na podzemne vode, morate se obratiti stručnom građevinskom inženjeru i mora se pronaći prihvatljivo rešenje!**

Mora se koristiti osnovna ploča od armiranog betona. Sloj šljunka se obično koristi kao osnova. Cevi za odvod vode se uglavnom preporučuju za ukopane bazene.

## 2.6 Obloga bazena

Obloga bazena je napravljena od termoplastičnog materijala. Dakle, bazen mora biti montiran na spoljnoj temperaturi od +15°C do +25°C. Nemojte postavljati oblogu pod jakim suncem, bolje je sačekati do večeri.

Zbog svojih materijalnih svojstava, ako se izloži niskim temperaturama, obloga može da bude kraća za oko 50 cm nego što je dužina potrebna za bazen.



**Sprečite da obloge bazena dođe u kontakt sa bilo kojim materijalom koji nije kompatibilan sa PVC-om. Iz tog razloga se preporučuje upotreba zaštitnih geotekstilnih umetaka.**

### 3 Priprema za izgradnju

#### 3.1 Jama za kružni bazen



Kada iskopate kanal (skoro) za ukopani bazena, mora se ostaviti radna površina širine 50 cm ili više radi kasnije ugradnje delova strukture bazena i njihovog povezivanja sa cevima.

Ako visina ukopanog dela ne prelazi jednu polovinu ukupne visine bazena, a cevi ne moraju da budu zatrpane, biće dovoljna površina čija je širina 20-30 cm.

Imajte na umu da tanko betonsko punjenje površine iza čeličnih zidova mora imati debljinu od 15-30 cm. Detaljnije informacije se nalaze na strani 27.

##### Preporučene dimenzije jame:

Bazen	Dimenzije jame
Širina x dužina [m]	Širina x dužina [m]
prečnik od 3,60	prečnik od 4,60
prečnik od 4,00	prečnik od 5,00
prečnik od 4,60	prečnik od 5,60
prečnik od 5,00	prečnik od 6,00
prečnik od 6,00	prečnik od 7,00

Radi jednostavnosti, jama obično ima pravougaoni oblik, mada, naravno, po potrebi može biti kružna ili ovalna, sa potrebnim dimenzijama ivica.

Dubina iskopavanja zavisi od debljine osnovne ploče i debljine sloja šljunka, kao i dubine i visine bazena.

##### Praktično pravilo je:

$$\begin{aligned} & \text{Debljina sloja šljunka} \\ & + \text{debljina betonske ploče} \\ & + \text{(ukopana) dubina bazena} \\ & = \text{dubina kopanja} \end{aligned}$$

Debljina osnovne ploče je obično 15 cm, debljina sloja šljunka obično oko 5 cm (preciznu debljinu će odrediti kompanija za ugradnju u zavisnosti od temelja).



**Važno: Ako se sistem filtera ne nalazi odmah na bazenu, a planirano je da se cevi zatrpaju, onda se kanali za cevi moraju iskopati istovremeno sa jamom za bazen.**

Kanali za cevi moraju se iskopati istovremeno sa jamom za bazen. Treba da budu široki oko 40-50 cm i duboki oko 80 cm. Ako postoji mogućnost da se cevi potpuno isprazne pre zimske sezone, cevi se mogu položiti višlje, nageti nadole do (najniže) tačke odvoda.

U tu svrhu preporučujemo da se pripremi velika (prečnika 160 mm ili veća) plastična ili slična cev na odgovarajućem mestu.

Ako je neophodno, kanali se mogu iskopati i za cevi iz sistema filtera u solarni sistem grejanja, kao i za kablove za napajanje.

#### 3.2 Osnovna ploča

Kada je jama iskopana i pripremljen sistem za odvod vode, izrađuje se betonska osnovna ploča (C16/20) ojačana građevinskom čeličnom mrežom Q 188A. Preporučena debljina osnovne ploče je oko 15 cm: stvarnu debljinu (i debljinu sloja šljunka) treba da odredi specijalizovani građevinski inženjer.



**Osnovna ploča treba da bude precizno horizontalno postavljena, bez nagiba, a njene ivice treba da prelaze preko ivica bazena za oko 10 cm.**

Da ponovimo još jednom, osnovna ploča može biti pravougaona ili kružna/ovalna (kopiranje kontura bazena).

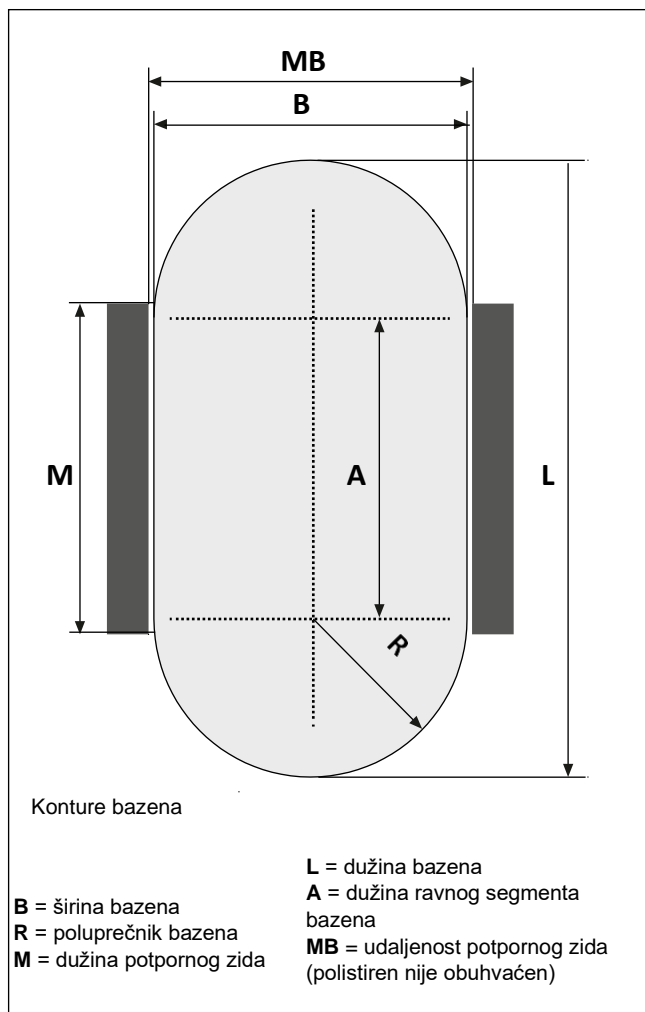


**Upozorenje: Vodite računa o vremenu stvrdnjavanja betona (obično 28 dana). Samo stručni građevinski inženjer može odlučiti (na svoju sopstvenu odgovornost) da se ovo vreme može skratiti.**



### 3.3 Jama za ovalni bazen

#### 3.3.1 Plan i veličina podloge: bazen i potporni zid



Sl. 7

Bazen		Potporni zid		
Širina x dužina [m]	A [m]	R [m]	MB [m]	M [m]
3,20 × 5,25	2,05	1,60	3,24	2,25
3,20 × 6,00	2,80	1,60	3,24	3,00
3,50 × 7,00	3,50	1,75	3,54	3,70
4,16 × 8,00	3,84	2,08	4,20	4,04
4,16 × 10,00	5,84	2,08	4,20	6,04
6,00 × 12,00	6,00	3,00	6,04	6,20

#### 3.3.2 Jama



U zaobljenom segmentu bazena mora ostati ivica od najmanje 50 cm, u kojoj se može montirati skidač pene i mlaznice, kako bi se kasnije mogli ugrađivati delovi i međusobno povezivati sa cevima.

Na suprotnoj strani i na uzdužnim stranama dovoljne su ivice od 30 cm.

Zapamtite da prostor odmah iza čeličnih zidova (osim za segmente potpornih zidova) mora biti ispunjen tankim betonom debljine od 15-30 cm ili izidati.

#### Preporučene dimenzije jame:

Bazen	Dimenzije jame
Širina x dužina [m]	Širina x dužina [m]
3,20 × 5,25	4,30 × 6,25
3,20 × 6,00	4,30 × 7,00
3,50 × 7,00	4,60 × 8,00
4,16 × 8,00	5,25 × 9,00
4,16 × 10,00	5,25 × 11,00
6,00 × 12,00	7,10 × 13,00

Radi jednostavnosti, jama obično ima pravougaoni oblik, mada, naravno, po potrebi može biti kružna ili ovalna, sa potrebnim dimenzijama ivica.

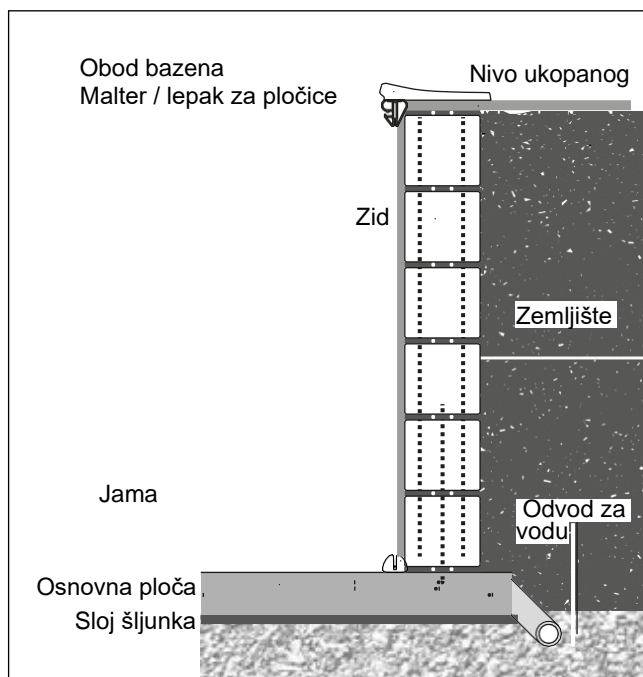
Dubina iskopavanja zavisi od debljine osnovne ploče i debljine sloja šljunka, kao i dubine bazena.

#### Praktično pravilo je:

$$\begin{aligned} & \text{Debljina sloja šljunka} \\ & + \text{debljina betonske ploče} \\ & \quad + \text{dubina bazena} \\ & = \text{dubina kopanja} \end{aligned}$$

Debljina osnovne ploče je obično 15 cm, debljina sloja šljunka obično oko 5 cm (preciznu debljinu će odrediti kompanija za ugradnju u zavisnosti od temelja).

Gornja visina bazena iznad ukopanog dela ne sme prelaziti 1/3 ukupne visine bazena. Obično se gornja ivica bazena poravna sa zemljom, a zatim prekrije naplatkom.



Sl. 8

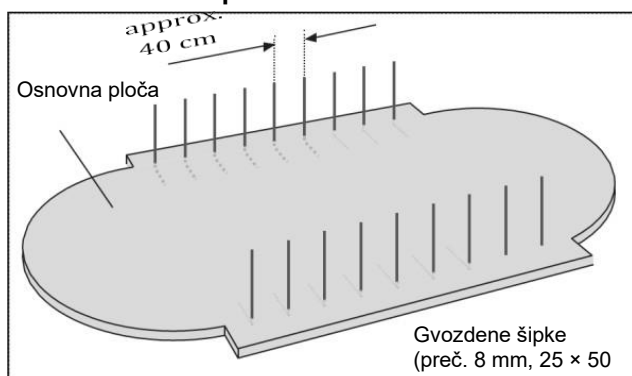


**Važno: Ako se sistem filtera ne nalazi odmah na bazenu, kanali za cevi moraju se iskopati istovremeno. Kanali da budu široki oko 40-50 cm i duboki oko 100 cm. Ako postoji mogućnost da se cevi potpuno isprazne pre zimske sezone, cevi se mogu položiti višlje, nageti nadole do (najniže) tačke odvoda.**

U tu svrhu preporučujemo da se pripremi velika (prečnika 160 mm ili veća) plastična ili slična cev na odgovarajućem mestu.

Ako je neophodno, kanali se mogu iskopati i za cevi iz sistema filtera u solarni sistem grejanja, kao i za kablove za napajanje.

### 3.3.2 Osnovna ploča



Sl. 9

Kada je završeno iskopavanje zemlje i odvod vode (kasnije je neophodno postavljanje sloja šljunka), izrađuje se betonska osnovna ploča (C16/20) s ojačanjem (građevinska čelična mreža Q 188A). Preporučena debljina osnovne ploče je oko 15 cm: stvarnu debljinu (i debljinu sloja šljunka) treba da odredi specijalizovani građevinski inženjer.



Osnovna ploča treba da bude precizno horizontalno postavljena, bez nagiba, a njene ivice treba da prelaze preko ivica bazena za oko 10 cm.

### Dimenzije osnovne ploče

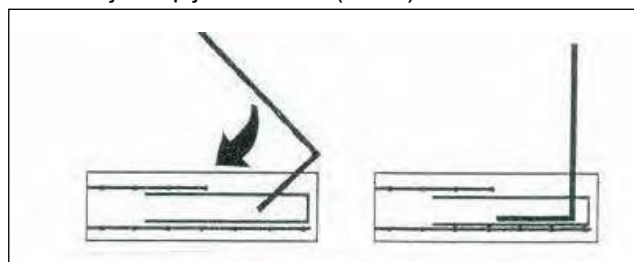
Bazen	Osnovna ploča (minimalno)
Širina x dužina [m]	Širina x dužina [m]
3,20 x 5,25	3,90 x 5,50
3,20 x 6,00	3,90 x 6,25
3,50 x 7,00	4,20 x 7,25
4,16 x 8,00	4,86 x 8,25
4,16 x 10,00	4,86 x 10,25
6,00 x 12,00	6,70 x 12,25

Da ponovimo još jednom, osnovna ploča može biti pravougaona ili kružna/ovalna (kopiranje oblika bazena).



**Važno: Preporučuje se da se odmah uklopi čelična armatura u vlažnu osnovnu ploču. Armatura se sastoji od 8 mm građevinskih čeličnih šipki sa zavojima, postavljenih u razmacima od oko 25 x 50 cm.**

Najbolje je odmah uzeti jedan od šupljih blokova koji će se koristiti za potporni zid i obeležiti obrasce kasnijeg zida u vlažnom betonu. Stavite savijenu čeličnu šipku na sredinu svake od sada vidljivih unutrašnjih šupljina otisaka (sl. 10).



Sl. 10

### 3.3.3 Izgradnja potpornih zidova

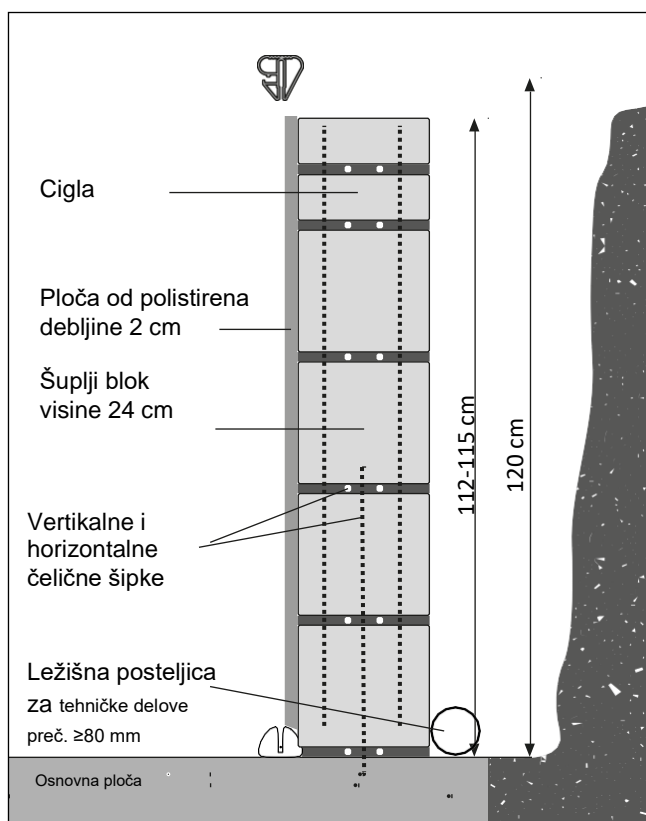
Kada se po osnovnoj ploči može hodati, treba izgraditi dva potporna zida. Svaki red šupljih blokova napunite betonom (C16/20) i ojačajte i vertikalno i horizontalno građevinskim čeličnim šipkama (preč. 8 mm). Dok zidate, izbegavajte pomeranje spojeva ili prekidanje vertikalnih i ravnih linija ili precizne paralelne orijentacije dva potporna zida.

Visina potpornog zida zavisi od visine bazena – pogledajte skice.

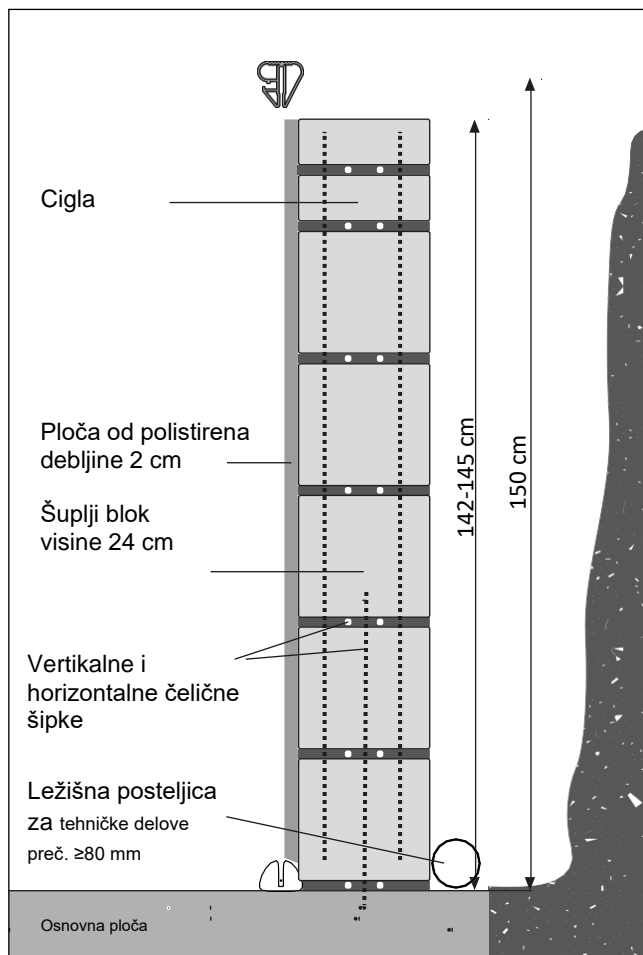
Za sigurno pričvršćivanje čeličnog zida na potporne zidove, najbolje je da napravite 1 ili 2 gornja reda pomoću punih blokova, kao što su cigle, jer će (kako iskustvo prikazuje) takvi blokovi bolje držati montažne zavrtnje od šupljih blokova. Ako se planira učvršćivanje u punjene šuplje blokove, najbolje je da koristite veoma duge zavrtnje koji će doći do betonskog jezgra.



**Upozorenje: Posavetujte se sa stručnim građevinskim inženjerom. Mountfield neće preuzeti nikakvu odgovornost za greške ili štete prilikom ugradnje koje su posledica loše izrađenog potpornog zida!**



Sl. 11



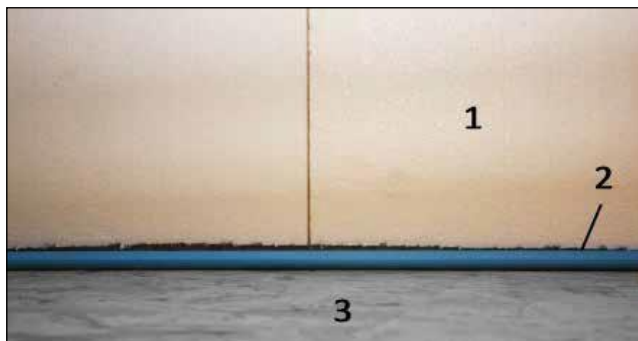
Sl. 12



**Upozorenje: Vodite računa o vremenu stvrdnjavanja betona (obično 28 dana). Samo stručni građevinski inženjer može odlučiti (na svoju sopstvenu odgovornost) da se ovo vreme može skratiti.**

Visina zida (izmerena od gornje ivice osnovne ploče) NE sme prelaziti 115 cm / 145 cm za visinu bazena od 120 cm odnosno 150 cm, ili se obrub gornje ivice ne može pravilno ugraditi.

Pričvrstite polistirenske ploče debljine 20 mm na unutrašnju stranu potpornih zidova koristeći lepak za polistiren. Iznad osnovne ploče mora se ostaviti slobodna izbočina od 25 mm za obrube donje ivice (sl. 13).



Sl. 13

- 1) Ploča od polistirena
- 2) Obrub donje ivice
- 3) Osnovna ploča



**Važno:** Ako se planira ugradnja osvetljenja za bazen, otvori za ovu ugradnju moraju biti postavljeni/pripremljeni tokom procesa izgradnje potpornog zida. Sledite uputstva proizvođača.

## 4 Ugradnja bazena

### 4.1 Ugradnja kružnog bazena

U zavisnosti od veličine bazena, njegova ugradnja je posao za 3-4 osobe i trebalo bi da se izvede kada nema vetra. Preporučuje se upotreba rukavica tokom izrade čeličnog zida.

Prvo nacrtajte konture bazena na zemlji. Time ćete neizmerno olakšati postupke određivanja položaja i ugradnje bazena. Za tu svrhu, pričvrstite kanap na ekser koji je zabili u središte budućeg bazena i izmerite radijus (= polovinu prečnika). Koristite komad krede ili zidarsku olovku da biste označili radijus izmeren uz pomoć kanapa - pogledajte sl. 14 i 15: Priloženi su obrubi donje i gornje ivica zida. Pronaći ćete ih unutar namotanog čeličnog zida.



Sl. 14



Sl. 15

#### 4.1.1 Ugradnja obruba donjih ivica zida

Kombinujte segmente obruba donjih ivica (pribl. širine od 20 mm) u jednu celinu pomoću spajanja cevi i stavite zatvorene konture bazena na zemlju. Nastavite prateći horizontalnu projekciju. Precizno proverite dimenzije i srazmere.



Profesionalni savet za ugradnju obruba donjih ivica (a kasnije i obruba gornjih ivica): Kombinovanje segmenata u jednu celinu biće mnogo jednostavnije ako su klinovi podmazani.

Za tu svrhu, ubacite klin u jedan segment, podmažite stranu koja viri (pogledajte sl. 16) i kombinujte obrube ivica (sl. 17).



Profesionalni savet za skraćivanje obruba donje ivice: Prvo kombinujte sve obrube ivica u celinu i po potrebi poravnajte prema tlocrtu. Bilo koji viseći kraj treba skratiti samo prilikom izgradnje čeličnog zida, jer su samo tada razlike u dimenzijama očigledne i mogu se po potrebi podrezati.

Precizan postupak je prikazan na sl. 28-30 na strani 13.



Sl. 16



Sl. 17



Sl. 18

## 4.2 Ugradnja ovalnog bazena

Prvo nacrtajte konture bazena na zemlji. Polukrugovi zaobljenja mogu se najbolje obeležiti pomoću kanapa pričvršćenog za ekser u sredini budućeg bazena. Obeležite linije zidarskom olovkom ili kredom. Dimenzije bazena, uključujući i radijus, prikazane su na slici 7 na strani 7.

### 4.2.1 Ugradnja obruba donjih ivica

Prvo gurnite ravne segmente obruba donje ivice (pribl. širine od 20 mm) jedne u druge. Postavite ravne delove obruba donje ivice zida direktno ispred zida od cigle, u prostor u polistirenu i centrirajte obrube ivica uzdužno sa zidom od cigle. Zid je vrlo malo duži.



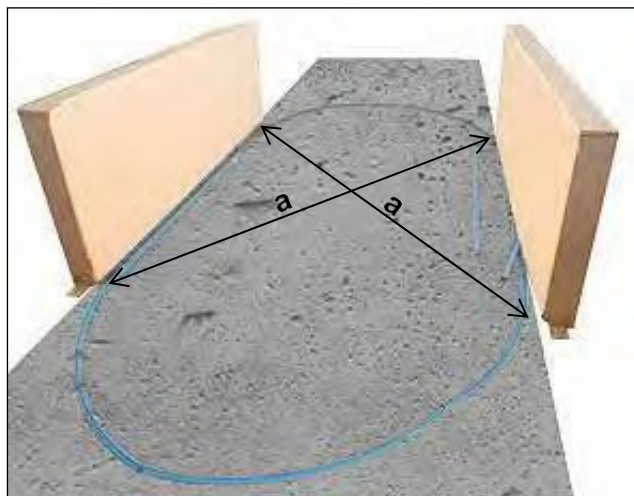
Profesionalni savet za simetrično postavljanje obruba ravne ivice: Dijagonalno izmerite krajnje tačke obruba ivica. Dimenzije će biti identične ako su obrubi ivica simetrično postavljeni. Pogledajte dimenziju „a” na slici 19.

Spojite savijenim komade obruba donjih ivica i koristite ih da popunite zaobljene segmente na prednjoj strani.

Nastavite prateći horizontalnu projekciju. Precizno proverite dimenzije i srazmere.



Profesionalni savet za skraćivanje obruba donje ivice zida: Prvo kombinujte sve obrube ivica u celinu i po potrebi poravnajte prema tlocrtu. Bilo koji viseći kraj treba skratiti samo prilikom izgradnje čeličnog zida, jer su samo tada razlike u dimenzijama očigledne i mogu se po potrebi podrezati. Pogledati odeljak 4.4.



Sl. 19

### 4.3 Ugradnja čeličnog zida

Ako želite da uđete u bazen, biće vam potrebni stepenici/stepenice bazena ili merdevine.

Kasnije, prilikom postavljanja obloga, budite oprezni da građevinskim merdevinama ne oštetite oblogu.

Pored toga, donesite namotani čelični zid u bazen pre njegove ugradnje.

Uz pomoć vaših pomagača, premestite čelični zid otprilike do tačke u kojoj treba ugraditi skidač pene (sakupljač nečistoće sa površine) i stavite ga na debele ploče i kartone kako biste olakšali njegovo odmotavanje (pogledajte sl. 20). Kada odmotavate čelični zid, NEMOJTE ga vući preko betonskog temelja jer se može oštetiti.



Sl. 20



Čelični zid je namotan u fabrici, tako da je spoljna strana vidljiva na namotanom čeličnom zidu.

Dakle, odmotajte čelični zid u pravcu u kom je namotan.

Da bi se sprečile povrede, nosite rukavice prilikom odmotavanja i montaže čeličnog zida i koristite trake za kontrolu postupka odmotavanja. (pogledajte sl. 21).



Sl. 21

Udubljenje za skidač pene se obično nalazi na početku namotanog čeličnog zida (približno 1-2 m od prednjeg kraja). Ako je čelični zid upakovan u više od jednog pakovanja, na kutijama je prikazano koji delovi čeličnog zida (sa kojim udubljenjima za delove strukture) su uključeni.



Sl. 22



Sl. 23

Odmotajte čelični zid i gurnite ga u obrube ivica (pogledajte sl. 22–23). Udubljenje skidača pene mora biti postavljeno po potrebi (što je bliže moguće sistemu filtera).

Povratna mlaznica se nalazi levo od skidača pene (gledano spolja).

Ako je montažni deo prisutan na jednoj strani čeličnog zida, on se mora izvući.

Kada su u pitanju veliki bazeni, čelični zid je podeljen na 2 dela i postupak spajanja pomoću kliznog dela vrši se dva puta.



Važna napomena: Neki segmenti obruba gornje ivice mogu se staviti na čelični zid da bi privremeno sačuvali njegov oblik



Sl. 24

Čelični zid ovalnog bazena može se privremeno pričvrstiti na potporne zidove pomoću obujmica.



Sl. 25



Sl. 26

Uvek vodite računa da čelični zid čvrsto stoji u obrubu donje ivice.

#### 4.4 Obrada obruba donjih ivica zida i spajanje krajeva zida pomoću kliznog dela

Praznina između dva kraja čeličnog zida treba da bude oko 5 mm da bi se omogućilo da klizni deo spoji krajeve čeličnog zida. To se mora uzeti u obzir prilikom skraćivanja obruba donje ivice.



Sl. 27

#### Skraćivanje obruba donjih ivica zida

Odmotajte čelični zid i izmerite svaku izbočinu obruba donje ivice. Onda nacrtajte čelični zid za oko 50 cm od obruba donje ivice i skratite obrub donje ivice na odgovarajući način (zapamtite da treba ostaviti razmak od 5 mm između krajeva čeličnog zida za klizni deo – pogledajte iznad).



Važna napomena: Uvek skraćujte obrub zidne ivice u lučnom segmentu. Ako se skрати za više od 5 cm, onda se preporučuje skraćivanje 2 obruba ivica radi lučne simetrije – svaki luk za polovinu od ukupne dužine izbočine.

Zatim ponovo stavite ceo čelični zid i gurnite klizni deo preko njega (pogledajte sl. 28-30).



Sl. 28



Sl. 29

U zavisnosti od tipa bazena, klizni deo može imati zakošenu stranu. Ako je to slučaj, stavite klizni deo sa zakošenom stranom usmerenom unutra i prema gore. Ako nijedna strana nije zakošena, nema razlike između gornje i donje strane.



Olakšajte ugradnju dela tako što ćete ga povremeno pomeriti gore i dole. Upotreba gumenog čekića takođe može biti prikladna.



Sl. 31

Međutim, ako se deo nepravilno postavi i/ili ubaci uz upotrebu prevelike sile, čelični zid se može oštetiti (a važenje garancije može biti ograničeno) i stabilnost bazena može biti ugrožena.



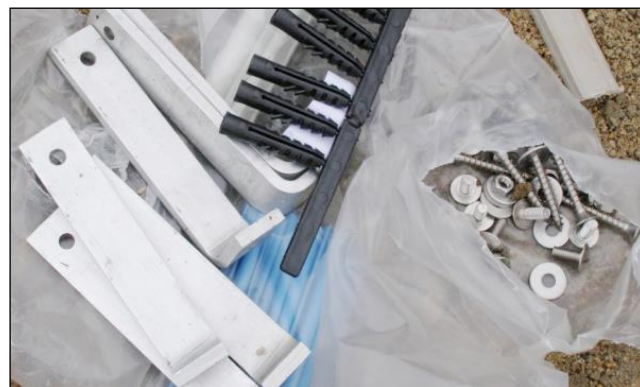
Sl. 32



Preporučuje se prekrivanje unutrašnje površine kliznog dela lepljivom trakom radi zaštite obloge bazena od oštećenja.

Dodatne informacije u vezi sa ovalnim bazenima:  
**Pričvršćivanje čeličnog zida**

Pretpostavlja se u ovom objašnjenju da je visina potpornog zida kao što je opisano na strani 9. U oblasti potpornih zidova čelični zid se mora pričvrstiti na ivice potpornog zida pomoću zavrtnjeva (na visini od 110 cm ili 140 cm od podloge za bazen čija je visina 120 cm odnosno 150 cm). Pričvršćivanje mora biti u horizontalnoj liniji. Koristite zavrtnje, zidne utikače i ugaonike za ovu operaciju (pogledajte sl. 34).



Sl. 34

Izbušite rupe u čeličnom zidu. Izbrusite ivice rupa tako da budu glatke i premažite antikorozivnom bojom.



Sl. 35





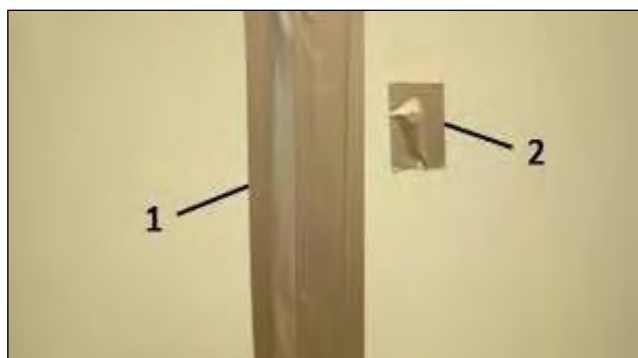
Sl. 36



Sl. 37

Na taj način čelični zid se pravilno pričešćuje na potporni zid.

Da biste zaštitili oblogu bazena, prekrijte glave zavrtneva lepljivom trakom koja neće oštetiti PVC (na primer trakom za pakovanje).



Sl. 38



**Oprez:** Proverite da li bazen stoji savršeno horizontalno. Garancija proizvođača postaje nevažeća i ništavna ako je razlika u visini veća od 2 cm. Ako je to slučaj, utvrdite uzrok i otklonite problem, npr. poboljšanjem osnove.

## 4.5 Priprema otvora za dodatnu opremu

**Važno:** Takođe sledite uputstva proizvođača dodatne opreme ako su priložena uz proizvode. Ako niste sigurni, obratite se prodavcu.

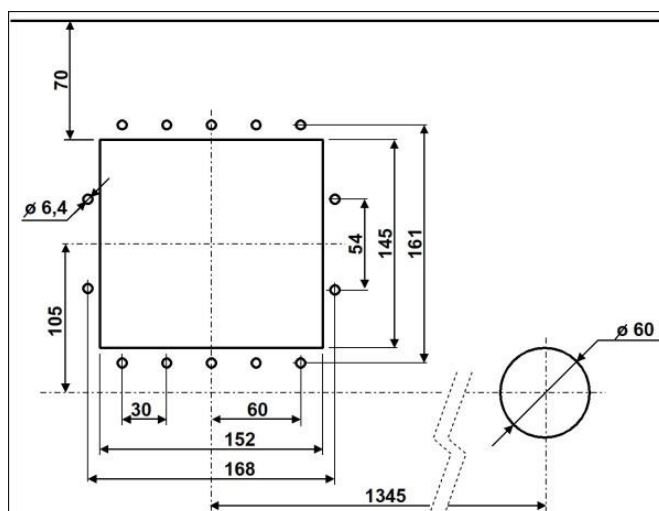
### 4.5.1 Skidač pene (za prikupljanje strane materije sa površine vode)



Sl. 39

- 1) kućište skidača pene    2) vakumska pločica  
3) teflonska traka        4) adapter za crevo  
5) dvostruka zaptivka    6) mlaznica

Otvori u čeličnom zidu bazena za skidač pene mogu biti fabrički prisutni. Ako nisu, moraju se iseći/probušiti.



Sl. 40

Prethodni crtež prikazuje dimenzije standardnog skidača pene za pričvršćivanje pomoću creva bazena prečnika 38 mm. Ako se koristi drugačiji skidač pene, moraju se koristiti odgovarajući šablon / tačne dimenzije i razmak.

Preporučujemo da se oštre ivice izbruse i obrade antikorozivnim proizvodima ili plastičnom bojom pre ugradnje.



Sl. 41

Ako se zatim montiraju cevi, preporučuje se postavljanje skidača pene u ovoj fazi. U tu svrhu stavite dvostruku zaptivku preko čeličnog zida (pogledajte sl. 43), držite skidač pene na otvoru spolja i pričvrstite ga iznutra pomoću zaobljenih sigurnosnih zavrtnjeva (pogledajte sl. 45). Ako su postavljene 2 pojedinačne zaptivke umesto standardne dvostruke zaptivke skidača pene, moraju se rasporediti: kućište skidača pene - zaptivka - čelični zid - zaptivka (- obloga bazena - prirubnica skidača pene).

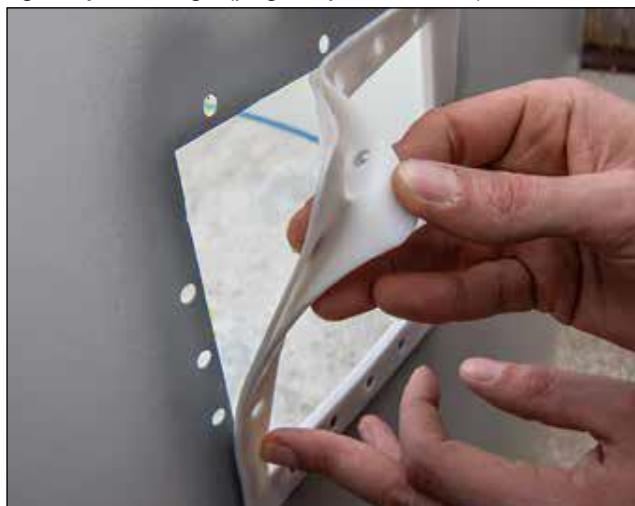
To se takođe odnosi na zaptivku(e) povratne mlaznice (za više informacija pročitajte „Ugradnja unutrašnjih delova” na strani 24).

U određenim okolnostima možda treba pripremiti dodatne rupe u čeličnom zidu (i premazati ih antikorozivnom bojom) jer rupe za zavrtnjeve nisu uvek spremne.



Sl. 42

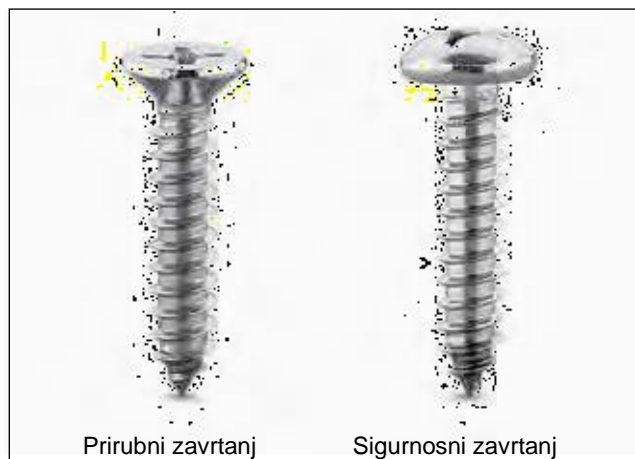
Ako je izvodljivo kasnije ugrađivanje cevi, skidač pene se može i kasnije ugraditi zajedno sa ugradnjom obloge (pogledajte stranu 20).



Sl. 43



Sl. 44



Sl. 45



Sl. 46

#### 4.5.2 Povratna mlaznica

IBIZA bazeni obično koriste 1 povratnu mlaznicu, koja se nalazi pored skidača pene. I ovde oštre ivice treba obraditi antikorozivnim premazom.

Sl. 47



##### 4.5.2.1 Povratne mlaznice za fiksirane (zatrpene) cevi



**Važno!** Kućišta mlaznica se tada moraju koristiti, pre instalacije obloge, jer su to specifične visokokvalitetne mlaznice sa priрубnicom na strani bazena, koje – za razliku od uobičajenih mlaznica – značajno olakšavaju bilo kakvu kasniju zamenu obloge.

Prirubnica ⑦ je potrebna za konačnu ugradnju mlaznice. Ako se prirubnica mlaznice ne može brzo naći, verovatno je ubačena u poklopac ⑥. Blago stisnite/savijte poklopac da biste odvojili prirubnicu i montirali prirubnicu (pogledajte sl. 48).



Sl. 48



- |                        |                       |
|------------------------|-----------------------|
| 1) Podešavajući prsten | 2) Petlja mlaznice    |
| 3) kućište mlaznice    | 4) sigurnosna navrtka |
| 5) zavrtnji            | 6) poklopac           |
| 7) prirubnica          | 8) zaptivka           |
| 9) zaptivka bez rupa   |                       |

Ako je povratna mlaznica upotpunjena dodatnom zaptivkom bez rupa ⑨, ta zaptivka se ne koristi za bazen sa čeličnim zidovima.



Sl. 50

Pričvrstite jednu od samolepljivih zaptivki na okvir priрубnice kućišta mlaznice.



Sl. 51



Sl. 52

Stavite kućište mlaznice kroz otvor u čelični zid sa unutrašnje strane.

Tada stavite sigurnosnu navrtku na navoj mlaznice sa zadnje strane (spoljna strana bazena) i zavrните je.



Sl. 53



Povratne mlaznice sa nastavcima creva 32/38 mm postavljaju se samo istovremeno sa oblogom (pogledajte stranu 24).

#### 4.6 Postavljanje zaštitnih geotekstilnih umetaka

Bazen treba ugraditi na vreme ili se može srušiti. Ako brza ugradnja nije moguća, npr. zbog lošeg vremena, preporučujemo da za to vreme ne treba koristiti umetke i zid bazena treba da bude mehanički pričvršćen u slučaju bilo kakvog jakog vetra.

Preporučuje se upotreba zaštitnih geotekstilnih umetaka ili zaštitne cerade radi zaštite obloge bazena od direktnog kontakta sa podlogom i bilo kojim materijalima u njoj koji mogu potencijalno oštetiti PVC.

Međutim, imajte na umu da zaštitni geotekstilni umetak može samo da zaštiti, ali ne i da kompenzuje neravnine.

Podloga se mora temeljno očistiti pre postavljanja umetaka.

U nekim slučajevima umeci su već isečeni tako da se podudaraju sa bazenom. Ako su umeci isporučena u rolni, položite ih u trakama i pričvrstite lepljivom trakom.



Sl. 54



Sl. 55

Isecite umetak otprilike 10 cm duže od dimenzije bazena i pustite ga prelazi oko zida bazena do visine od oko 5 cm.

Isečci se mogu koristiti za manje bočne površine. Nacrtajte izbočene ivice preko obruba donjih ivica zida i pričvrstite za čelični zid pomoću lepljive trake.



Sl. 56



Sl. 57

Poravnajte umetak i spojite ivice susednih traka pomoću lepljive trake.



Profesionalni savet za postavljanje umetka: Nakon toga, u razmacima od 20-25 cm moraju se izrezati mali isečci ivice obloge u ovalnom segmentu kako bi se uklonio višak materijala (pogledajte sl. 58-59).



Sl. 58



Sl. 59



Sl. 60

Svi nabori u oblogama nastali tokom transporta i skladištenja, na kraju će se izravnati pod pritiskom vode u bazenu.

#### 4.7 Kačenje obloge bazena i postavljanje obruba gornje ivice zida



**Oprez: Postavite oblogu bazena na +15°C do +25°C. Izbegavajte izlaganje snažnom sunčevom zračenju!**

Ako je temperatura previsoka, plastični materijal postaje mekan i elastičan, a obloga prevelika. Ako je temperatura preniska, plastični materijal postaje tvrd i neelastičan, a obloga premala (razlike u veličini mogu dostići i do 50 cm!).

Ako je obloga prisutna na dnu bazena, ulazite u bazen samo u čistim cipelama ili u čarapama. Takođe, celokupno unutrašnje područje bazena trebalo bi ponovo da se očisti (na primer, usisivačem, sl. 61).



Sl. 61

Zatim stavite oblogu u središte bazena i raširite je tako da spoljni podni spojevi budu podjednako udaljeni od čeličnog zida, jer je plastični materijal mekan i elastičan i obloga je uvek nešto manja od samog bazena.



Vodite računa da okomiti spoj ne sme da bude u oblasti skidača pene, povratnih mlaznica ili svetla, jer se u suprotnom ne može garantovati nepropusnost.

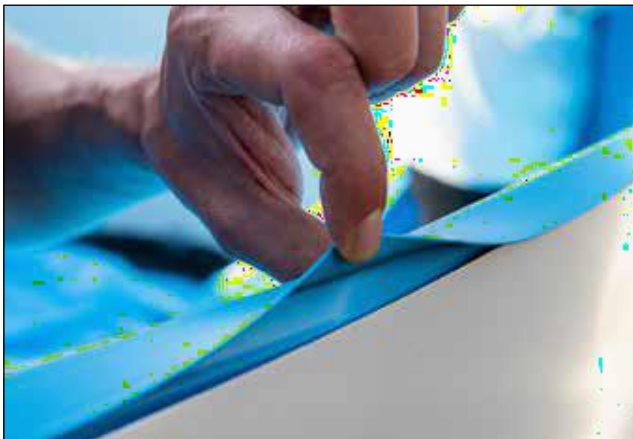


**Oprez: Ulazite u bazen sa postavljenom oblogom samo bos ili u odgovarajućoj obući.**



Sl. 63

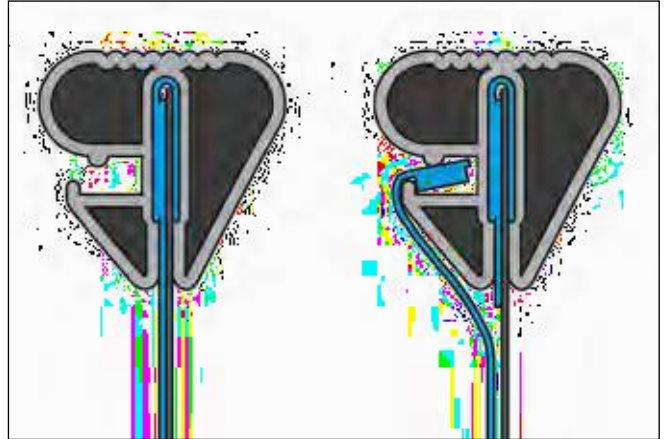
Bez obzira na obrub gornje ivice zida, obloge bazena ima svoje viseće ivice (pogledajte sl. 64).



Sl. 64

**Napomene o obrubu gornjih ivica zida:**

Bočni žleb u obliku klina na određenom obrubu gornje ivice zida koristiće se kasnije kada se obloga zameni ako je obrub postavljen na gornju ivicu zida. Zbog toga se stara obloga odseče i preostali okačeni profil i dalje se koristi za zaštitu ivice. Samo druga obloga, koja ima klinasti deo, a ne viseći deo, biće okačena u žleb u obrubu gornje ivice zida.

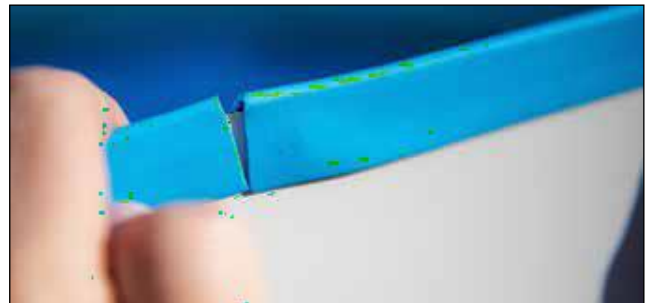


(Primer specifičnog kombinovanog obruba gornje ivice zida)

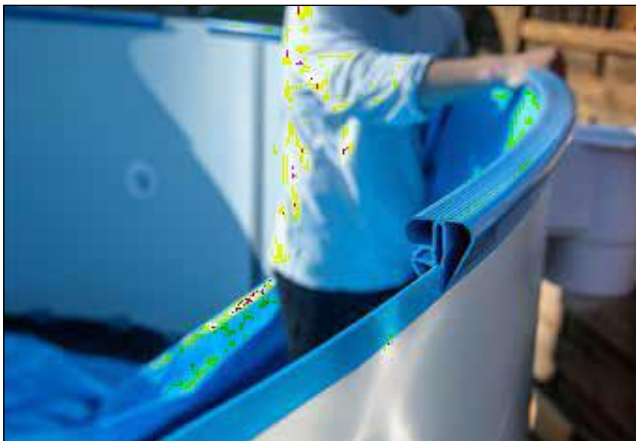
Stavite ivicu obloge sa zavarenim visećim delom preko ivice čeličnog zida i pričvrstite oblogu sa nekoliko delova obruba (pogledajte sl. (65/67).



Sl. 65



Sl. 66



Sl. 67

Završite ugradnju obruba gornje ivice zida tek nakon izravnavanja spojeva obloge.

#### 4.7.1 Ugradnja obruba gornjih ivica zida (uopšteno)

Spojite delove obruba gornje ivice zida pomoću spojnih klinova i udarajući rukom ili gumenim čekićem po ivici bazena. Istovremeno pričvrstite deo za vešanje. Ako je obrub gornje ivice zida predugačak, skratite ga (pogledajte sl. 68-70).



Sl. 68



Sl. 69



Sl. 70



Profesionalni savet: Isporučka gornje aluminijumske šipke obuhvata 2 plastične trake za oblaganje. Može se dogoditi da se tokom punjenja bazena pojavi velika praznina na jednoj ili drugoj strani segmenta gornje šipke zbog širenja čeličnog zida. Kada je bazen završen, koristite trake za oblaganje takvih mesta.

Obložite plastični obrub gornje ivice zida aluminijumskim trakama (ako su isporučene).



#### 4.7.2 Izravnavanje nabora



Ako se na zidnom delu obloge pojave vertikalni nabori, oni se mogu eliminisati pomeranjem ako je prisutna delimično fiksiran obrub gornje ivice zida.

Pomerajte nabore počevši od podloge napolje prema zidu bazena. Posebno, vodite da spoj obloge precizno leži između dna i zida bazena na dnu bazena / u uglu zida. Pre punjenja bazena vodom, spojevi obloge treba svuda da budu podjednako udaljeni od ivice bazena i da ne bude nabora ili pregiba koliko god je to moguće. Pošto je obloga bazena izrađena tako da bude nešto manja od veličine bazena, kako bi se uzelo u obzir širenje zbog efekta temperature i pritiska vode, neophodno je da spojevi bazena budu podjednako udaljeni od zida bazena.



Sl. 71



Sl. 72

Nakon konačne ugradnje obruba gornje ivice zida, ispravljanje svih preostalih nabora na dnu bazena može se izvršiti punjenjem bazena slojem vode od 2 cm do 3 cm i pomeranjem nabora prema spoljnoj strani.



Sl. 73

Ako se nabori na zidu ne mogu izravnati: Sačekajte da visina sloja voda bude 20-30 cm. Ako problem i dalje postoji, delimično skinite obrub (korak po korak, nikada u potpunosti!) i pomerite oblogu u stranu da biste smanjili bilo kakve nabore ili ih uklonili što više. U tom slučaju, obloga mora biti adekvatno pričvršćena obrubom gornje ivice zida kako bi se sprečilo da obloga sklizne u bazen. Ako sve te mere ne daju rezultata, odnosno nabori su neprihvatljivo veliki, jedini izlaz je da se započne potpuno novi pokušaj postavljanja obloge.



Profesionalni savet: Standardni usisivač se može koristiti za izravnavanje table oko zidova.

Otvor creva usisivača mora biti obmotan geotekstilnom tkaninom (koja se mora pričvrstiti za crevo lepljivom trakom) kako bi se sprečilo lepljenje creva za plastiku. Pritisnite kraj creva kroz otvor u skidaču pene i dalje iza obloge. Stavite karton sa rupom na poklopac skidača pene i gurnite crevo kroz njega pa zatim učvrstite ovaj sklop lepljivom trakom. Ovaj sistem će raditi samo ako su svi preostali otvori, tj. otvori povratne mlaznice i otvori skidača pene, spolja zatvoreni lepljivom trakom. Tada aktivirajte usisivač na otprilike polovinu njegove maksimalne snage. Vazduh će početi da se usisava i plastična tabla će se polako stezati. Ono što je ostalo da se uradi je samo da se izravnavaju nabori koji nastaju od skladištenja table u kutiji.



Sl. 74

## 4.8 Postavljanje delova koje treba ugraditi

Ako je površina vode približno 20 cm ispod odgovarajućeg dela, možete početi sa obrublivanjem i postavljanjem (ili završetkom ugradnje) delova koje treba ugraditi.

### 4.8.1 Povratna mlaznica

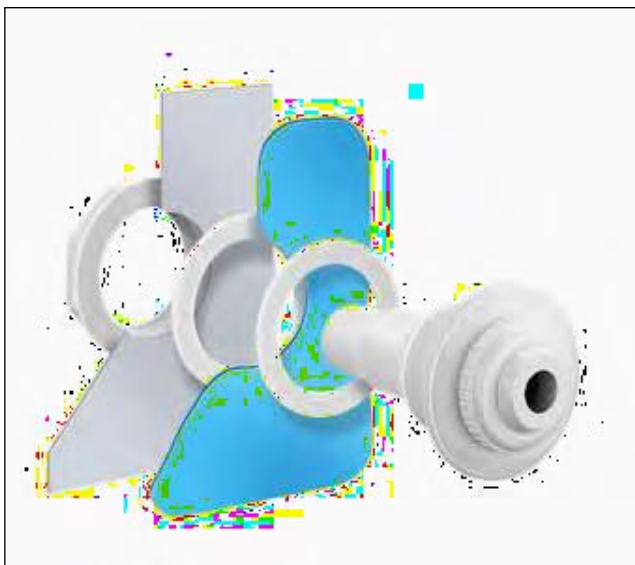
Za spajanje creva 32/38 mm (pogledajte sl. 76):  
Kada je plastična obloga bazena glatka, isecite je odmah ispred otvora u zidu za povratnu mlaznicu (odsečeni deo treba da bude 5-10 mm manji od otvora u čeličnom zidu). Zatim stavite zaptivku između obloge i čeličnog zida i provucite mlaznicu sa drugom zaptivkom kroz otvor tako da se zaptivke nalaze ispred i iza plastične obloge. Onda zategnite mlaznicu sigurnosnom navrtkom sa spoljašnje strane bazena.



Važno: Ako je dvostruka zaptivka priložena, odvojite je u sredini tako da dobijete dve odvojene zaptivke (pogledajte sl. 75).



Sl. 75

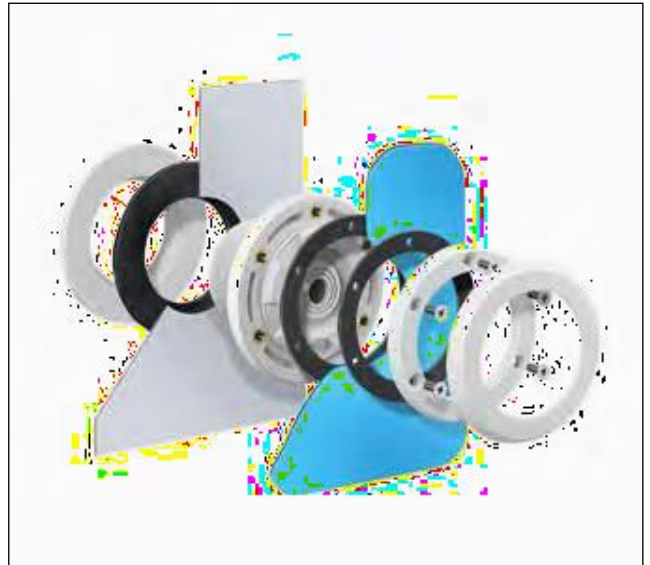


Sl. 76

### Za fiksirane cevi 50 mm (pogledajte sl. 77):

Kada je plastična obloga bazena glatka, napravite rupe za zavrtnjeve, na primer, šilom (pogledajte sl. 79). Pričvrstite drugu zaptivku iza prirubnice tako da bude smeštena između obloge i prirubnice. Poprečno zategnite zavrtnje prirubnice.

Zatim isecite rupu u oblozi kopiranjem otvora (pogledajte sl. 83). Ponovo stegnite mlaznicu i prsten za podešavanje i stavite poklopac.



Sl. 77



Sl. 78



Sl. 79



Sl. 80



Sl. 81



Sl. 82



Sl. 83

#### 4.8.2 Skidač pene

Probijte rupe za zavrtnje, a onda zavrtnite priрубnicu po poprečnom obrascu.

Ako je kućište skidača pene ugrađeno zajedno sa oblogom tek sada, stavite dvostruku zaptivku u otvor u čeličnom zidu, držite kućište sa spoljne strane pa napravite otvore za zavrtnje sa unutrašnje strane i poprečno zavrtnite priрубnicu.

Zatim isecite otvor za skidač pene i stavi poklopac priрубnice. Gornji deo priрубnice i gornji deo poklopca obično su obeleženi sa „Top” (vrh).

Umetnite klapnu i sito u skidač pene.



Sl. 84



Sl. 85



Sl. 86



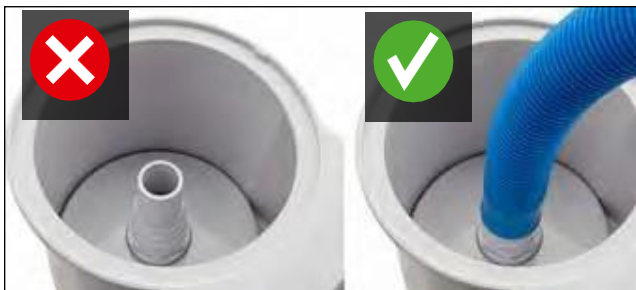
**Korpa za skidač pene:**

Prilikom korišćenja bazena, korpa za skidač pene se mora povremeno očistiti od nečistoća i lišća da bi sistem filtera savršeno funkcionisao. U tu svrhu, kao i za usisavanje dna bazena, poklopac skidača pene mora biti lako dostupan. Uverite se da je skidač pene dobro nalegao, da nije podignut i da ne blokira klapnu skidača pene te time i protok vode (pogledajte sl. 88).



Sl. 88

Koristite usisno kućište samo u kombinaciji sa crevom za čišćenje bazena, ne tokom uobičajenog rada filtera!



Sl. 89

#### 4.9 Završetak postupaka tehničke ugradnje

Pre potpunog punjenja bazena vodom i završetka celokupne ugradnje, moraju se povezati različiti tehnički delovi (skidač pene, povratna mlaznica, svetla, protivstruja itd).

Cevni vod mora biti čvrst ili elastičan, sa PVC cevima otpornim na pritisak zemlje i na pritisak vode. Svi spojevi treba da budu dostupni za kontrolu ili da budu sertifikovane protiv curenja. Preporučuje se ugradnja povratne klapne u usisnom segmentu filtera pumpe ako je sklop filtera postavljen iznad nivoa površine vode u bazenu.

Električni kablovi treba da se provode kroz kanale do mesta gde će se instalirati mehanički prostor/razvodna kutija.

## 5 Suvi beton oko bazena

Suvi tanki beton treba nasuti oko kružnog bazena da bi se potpuno popunio ukopani deo.

Za ovalne bazene dovoljno je da se beton naspe oko dve prednje strane i zaokruženih delova bazena. Nema potrebe da se iza potpornih zidova nasipa tanki beton. Kada je ugradnja završena, napunite bazen vodom. Kružni bazen se može potpuno napuniti. Ovalni bazen treba da se puni korak po korak zajedno sa spoljašnjim punjenjem.

Pre izlivanja betona, u zemlju stavite građevinsku oblogu i ploče od polistirena debljine 15-25 mm na zaobljene segmente bazena kako bi se zaštitila spoljna strana čeličnog zida.

Izlivajte nekoliko slojeva (svaki visine  $\leq 50$  cm) mokrog tankog betona C8/10 (ili u srazmeri mešanja od približno 1:10 u zavisnosti od veličine zrna šljunka) oko zida bazena. Svaki sloj se mora stvrdnuti pre nego što se doda sledeći sloj. Za omeđavanje strana od sloja betona mogu se koristiti ploče oplata ili slično. Kada se sloj stvrdne, ploče se stavljaju prema gore radi omeđavanja sledećeg sloja.

Dok se beton izliva oko zaobljenih strana ovalnog bazena, zemlja se takođe mora nasipati i sabiti iza potpornih zidova kako bi se omogućilo da ozidani deo apsorbuje pritisak vode.

Beton ne sme biti previše vlažan i ne sme se tresti ili sabijati.

U slučaju prisustva prirodnog zemljišta (npr. kohezivne gline), beton mora biti debljine  $\geq 15$  cm.

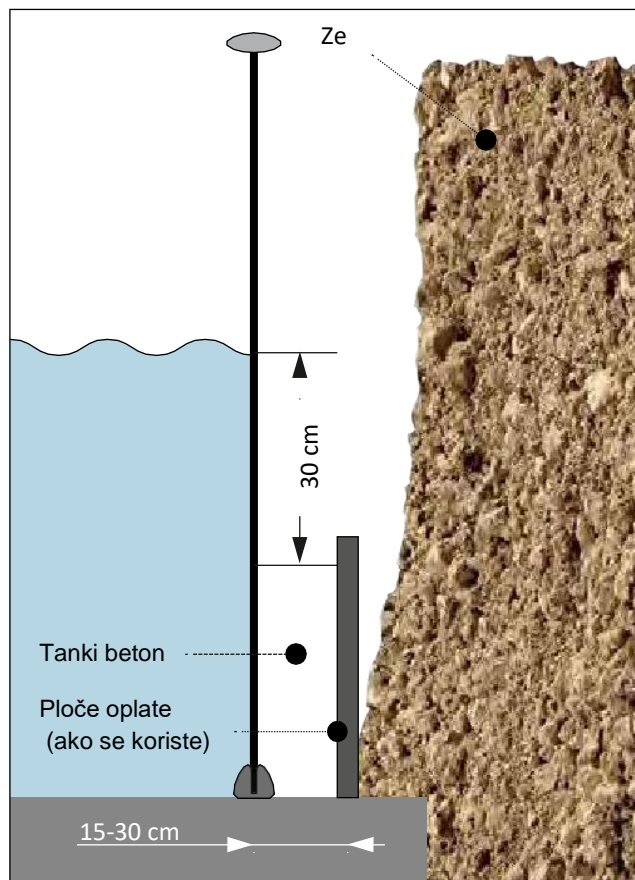
Za kalibrisana zemljišta preporučuje se debljina betona od oko 30 cm.



Profesionalni savet: Kao alternativa za izlivanje betona, zaobljeni delovi bazena mogu se opasati ciglama, a spoljni prostor se potom može ispuniti zemljom i sabiti.



Kada se koristi izliveni beton, nivo vode mora biti  $\geq 30$  cm viši od spoljašnjeg betonskog punjenja kako bi se apsorbovao spoljašnji pritisak.



Sl. 90

Prilikom izlivanja betona oko bazena, vodite računa da se bazen ne deformiše zbog pritiska betona.

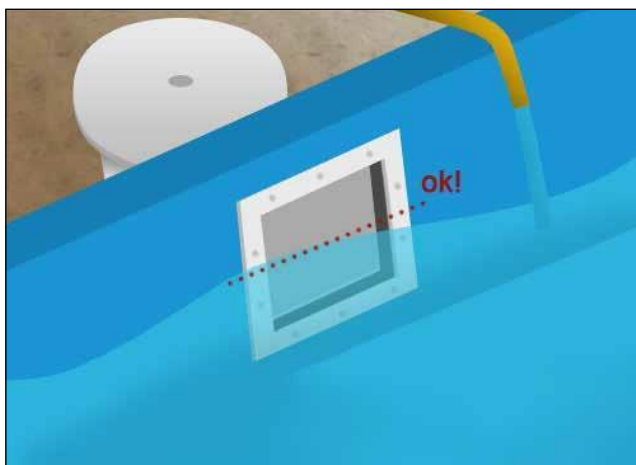
Takođe, izbegavajte previsok pritisak betona na skidač pene, jer to može dovesti do krivljenja i zaglavlivanja klapne skidača pene. Preporučuje se upotreba npr. polistirena oko skidača pene kako bi se na tom mestu apsorbovao pritisak betona. Takođe, izbegavajte oštećenje čeličnog zida, jer bilo kakva oštećenja mogu kasnije dovesti do korozije čelika. Takođe, garancija bi postala nevažeća. Ako se na čeličnom zidu uoče ogrebotine i drugi nedostaci, odmah ih zaštitite od korozije.

## 6 Razno

### 6.1 Nivo vode i klapna skidača pene

Nivo vode u bazenu mora se podesiti u skladu sa otvorom skidača pene. Optimalno je da bude sredina ili do dve trećine otvora skidača pene (pogledajte sl. 91). U svakom slučaju, izbegavajte prenizak nivo vode, jer se pumpa za filtriranje vode može oštetiti. Takođe, klapna skidača pene mora biti slobodno pokretna u svakom trenutku, a korpa skidača pene mora dobro da nalegne, jer bi u suprotnom mogao biti zaustavljen protok vode.

Usisna ploča se može postaviti na sistem – crevo za čišćenje dna bazena (pogledajte kasnije) – samo kada se uklanjaju prljavština i nečistoće sa dna bazena.



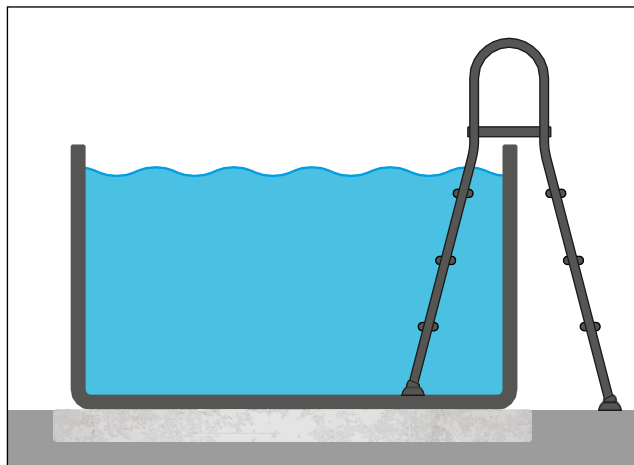
Sl. 91

### 6.2 Ulazak u bazen

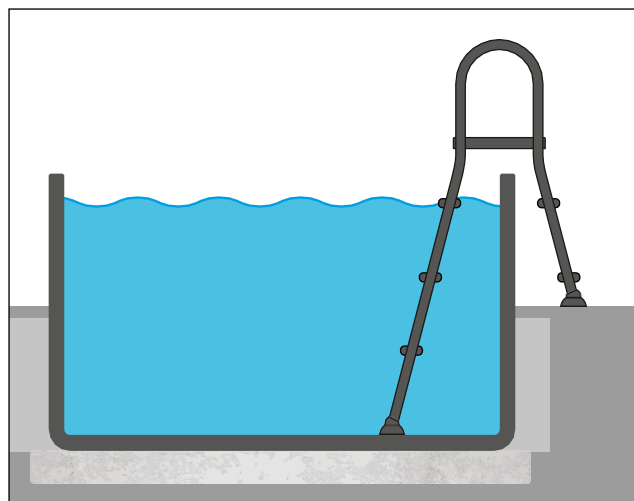
Bazen mora imati sistem stepenica ili merdevina koji omogućava posetiocima da lako i bezbedno uđu u bazen. Stepenice se mogu projektovati za ukopane/poluukopane bazene ili za nadzemne bazene (delimično ili potpuno slobodnostojeće):

#### 6.2.1 Stepenice za nadzemni bazen

Stepenice za nadzemne bazene preporučuju se ako je vaš bazen slobodnostojeći ili poluukopani bazen. Po potrebi (za poluukopane bazene), takve stepenice se mogu skratiti odsecanjem dela stepenica pomoću čiste testere za metal itd. Izravnajte neravnine na ostrim ivicama. Zatim stavite podesive nogare na krajeve stepenica. Sledite uputstva za montažu i upotrebu stepenica.



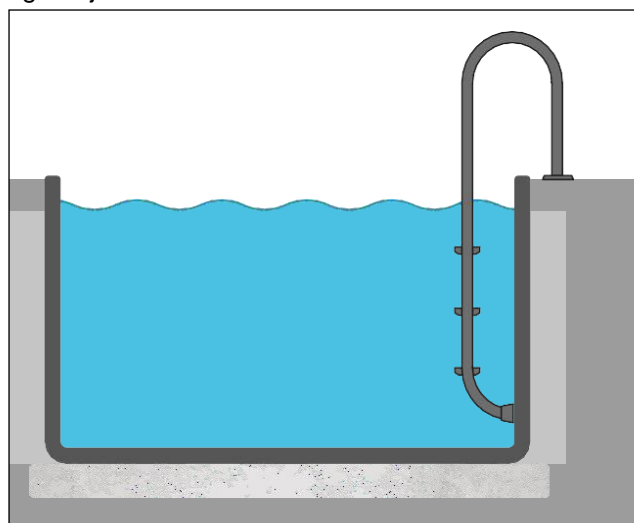
Sl. 92



Sl. 93

#### 6.2.2 Stepenice za ukopani bazen

Postoje dva načina za postavljanje visokokvalitetnih čeličnih stepenica za ukopane bazene. Pratite postupak opisan u uputstvima za ugradnju.



Sl. 94

### 6.3 Saveti za korišćenje bazena

- Istuširajte se i očistite tabane pre nego što uđete u bazen. Nemojte nositi cipele u bazenu, vinilna obloga bi mogla da se ošteti.
- Koristite stepenice da izlazak iz bazena.
- Nivo vode održavajte na propisanoj visini, približno u centru priрубnice skidača pene. Imajte na umu da voda iz bazena isparava u svim vremenskim prilikama i mora se nadoknaditi. Prirodno isparavanje je normalno, nemojte ga brkati sa curenjem vode.
- Povremeno pregledajte bazen i njegove dodatke da biste otkrili da li voda zaista curi. Ako se otkrije curenje, zategnite spojnicu(e) ili dodajte zaptivku / zamenite zaptivku.
- Dobro održavanje vode u bazenu je preduslov za održavanje bazena u dobrom stanju.
- Temperatura vode u bazenu ne sme biti veća od 30°C, a optimalna temperatura je oko 25°C. Previše topla voda neće vas mnogo osvežiti i, osim toga, smanjiće efikasnost sanitarnog sredstva (hlora) i stvorice dobre uslove za rast algi. Takođe, obloga postaje mekša u toploj vodi i na njoj se lako formiraju nabori. Ako voda u bazenu dostigne 30°C, prestanite da koristite sistem za zagrevanje vode, uklonite ceradu i, ako je potrebno, zamenite deo tople vode hladnijom vodom.

### 6.4 Popravka obloge

Neispravnosti na oblozi bazena mogu se brzo popraviti pomoću kompleta za popravke za upotrebu u vodi.

### 6.5 Održavanje

Voda u bazenu će uvek biti čista i bistra ako se koristi kombinacija mehaničkih i hemijskih metoda za prečišćavanje vode.

#### Mehanička obrada vode:

Manje nečistoće, kao što su polen, trava i dlake, će ukloniti skidač pene i sklop filtera. Koristite mrežicu i/ili sredstvo za čišćenje bazena da biste uklonili grube nečistoće i strane materije.

Za ručno usisavanje dna bazena mora biti dostupan sistem filtera i skidač pene. Pre početka postupka ručnog čišćenja, peščani filter treba temeljito oprati i isprati.

#### Ručno uklanjanje nečistoća sa dna bazena usisavanjem:

Obično se sa skidačem pene isporučuje i □ usisna ploča za čišćenje □. Biće vam potrebna četka za usisavanje, teleskopski krak i usisno crevo (za pričvršćivanje četkice na ploču).

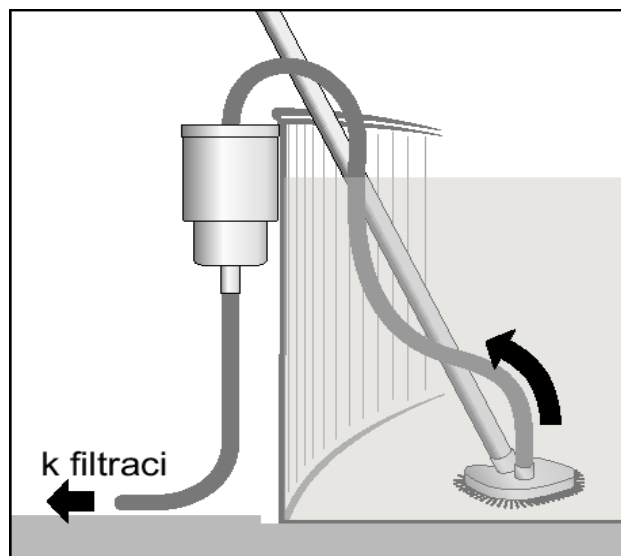
Spojite crevo i teleskopski krak na četku usisivača. Napunite usisno crevo vodom i

spojite sa usisnom pločom. Stavite ploču na korpu filtera skidača pene. Postavite sistem peščanog filtera na „Filtration” (filtracija), sistem filtera će se uključiti i možete započeti postupak čišćenja. Vodite računa da usisno crevo bude potpuno napunjeno vodom, izbegavajte usisavanje vazduha u pumpu!



Profesionalni savet za odstranjivanje vazduha iz usisnog creva: Da biste uspeeli potpuno da uklonite vazduh iz usisnog creva za ručno čišćenje bazena, cev se može nakratko držati kod povratne mlaznice dok sistem filtera radi. Protok vode će očistiti sav vazduh iz creva, a kada se ne pojavljuju dodatni mehurići koji izlaze na drugom kraju creva/usisne četke, u crevu uopšte nema vazduha i filter se može isključiti.

Ako, uprkos tome, u peščani filter uđe malo vazduha, pumpa za bazen se mora isključiti i ponovo isprazniti vazduh iz nje (vazduh se obično automatski oslobađa iz filtera). Kada čistite dno bazena, pomerajte četku polako i ravnomerno – prebrzo kretanje može uskomešati nečistoće i nećete uspeti da ih pokupite. U slučaju da sistem za filtriranje pomoću peska nema predfilter, potreban je skidač pene sa korpom za filter!



Sl. 95

Ako su performanse filtera slabije od očekivanih, može postojati jedan ili više sledećih razloga:

- 1) Pesak za filtriranje je prljav. → Očistite filter.
- 2) Pumpa usisava vazduh (mehurići vazduha u vodi iz povratne mlaznice). → Neispravna creva, pregledajte stege creva
- 3) Premalo vode stiže do skidača pene. → Proverite nivo vode i povećajte ako je potrebno
- 4) Korpa skidača pene je prljava. → Očistite korpu skidača pene
- 5) Korpa predfiltera pumpe filtera je prljava. → Očistite korpu

## Hemijska obrada vode:

Ne postoje opšta uputstva u vezi sa doziranjem niti se može navesti opšti režim za prečišćavanje vode hemijskim proizvodima. Situacija svakog bazena razlikuje se u odnosu na prirodu bazena, broj posetilaca, okruženje, klimatske uslove itd. Doziranje se reguliše na osnovu izmernih parametara. Pogodno je koristiti komplet za merenja pH vrednosti, slobodnog hlora i bilo kog drugog aktivnog jedinjenja. Ako poznajete te parametre, možete precizno i po potrebi dozirati hemijske proizvode. Opasnost od nepotrebnog izlaganja ljudi hemikalijama je time svedena na najmanju meru. Sledite ove smernice:

- Uzmite u obzir prikladnost proizvoda i njegove obrasce upotrebe prilikom odabira hemijskog sredstva.
- Čuvajte hemikalije za bazen VAN DOMAŠAJA DECE, na hladnom, suvom, mračnom mestu.
- Pročitajte mere prve pomoći za svaku hemikaliju, sledite smernice za bezbednost i bezbednosna uputstva na etiketama.
- Sledite uputstva proizvođača prilikom primene hemikalija. Sledite mere lične higijene prilikom rukovanja proizvodima. Operite ruke nakon završetka.
- Ne stavljajte nikakve hemijske proizvode u sito skidača pene. Prilikom primene sredstava na bazi hlora u obliku tableta, najbolje je da koristite namenski plovak ili dozator hlora. Ako kupite plovak, ubacite odgovarajući broj tableta u njega i pustite da pluta na vodi. Hlor će se brže rasporediti po celom bazenu ako je sistem za filtriranje uključen. Kada se proizvod rasporedi, uklonite plovak i čuvajte ga na sigurnom mestu. Ako želite da koristite bazen pre nego što se proizvod rastopi, uklonite plovak i čuvajte ga na mestu gde ne može doći do povrede, štete ili oštećenja. Posebno vodite računa da ga sakrijete od dece.
- Nemojte koristiti bazen dok koristite bilo koji hemijski proizvod.

## 6.6 Priprema za zimsku sezonu

Svi ukopani bazeni moraju ostati delimično napunjeni vodom tokom zimskih meseci kako bi se kompenzovao spoljni pritisak.

Početnu pH vrednost treba podesiti na 7,0, a svu vodenu paru ili prisustvo algi treba eliminisati udarnim hlorisanjem.

Nakon toga, spustite nivo vode približno 10 cm ispod povratnih mlaznica i temeljno ispustite (uklonite) svu vodu iz cevovoda i sistema filtera. Ulazne mlaznice se mogu zatvoriti pomoću zimskih ventila.

Ako se u bazen ugrade lampice, nivo vode treba da bude ili ispod njih ili iznad njih. Dodajte neki zaštitni proizvod za zimsku sezonu kako biste snizili temperaturu. Preporučuje se korišćenje namenskih jastučića za neutralisanje pritiska leda na zidove bazena.

## 7 Bezbednosna pravila

### Opšte zaštitne mere:



**Nikada ne ostavljajte decu sama u bazenu ili u blizini bazena, upozorite ih o potencijalnim opasnostima. Naučite decu da plivaju. Pokrijte bazen kada se ne koristi. Ulazite u bazen vrlo polako nakon obroka ili sunčanja. Vaš sistem cirkulacije krvi ili srce mogu da otkazu!**



**Neposredna pomoć nakon nesreće tokom plivanja: Odmah izvucite žrtvu(s) iz bazena. Proverite otkucaje srca i disanje. Ako je potrebno, dajte veštačko disanje usta na usta i uradite indirektnu masažu srca. Pozovite medicinsku službu za spasavanje.**

**Upozorenje: Nemojte vršiti nikakve promene na bazenu i/ili intervencije na strukturi sastavljenog bazena i napunjenog vodom. Bazeni mogu da se sruše ili prouzrokuju teške povrede.**

### Tehničke smernice za bezbednost:

- Pre upotrebe bazena pažljivo pročitajte sve podatke i postavite pitanja ako vam nešto nije jasno. Pratite preporuke. Namenjene su za osiguravanje vaše bezbednosti i bezbednosti drugih ljudi u bazenu. Ovaj dokument čuvajte na sigurnom mestu u slučaju da vam to bude kasnije potreban.
- Uvodna napomena: Tekst koji sledi opisuje najtipičnije rizike povezane sa upotrebom bazena. Mogu postojati i dodatni rizici. Zato: Koristite zdrav razum dok radite bilo kakve aktivnosti u bazenu ili blizu bazena.

### Bezbednost neplivača:

- Uvek se pobrinite da neplivači i osobe sa smanjenom sposobnošću plivanja, posebno mala deca, budu pod nadzorom osobe koja ih može spasiti i pozvati pomoć u hitnim slučajevima.
- Da bi se izbegli nesporazumi u komunikaciji: Imenujte osobu koja može pomoći i koja će neprestano nadgledati bazen dok je u upotrebi.
- Neplivači i osobe sa smanjenom sposobnošću moraju da koriste ličnu zaštitnu opremu prilikom ulaska u bazen.
- Uklonite sve igračke sa instrumenata za plivanje i iz njihovog okruženja ako se bazen ne koristi ili ne nadgleda, tako da ne privuku pažnju dece.



## Bezbedan pristup bazenu:

- Ako uređaj za pristup bazenu – stepenice – ne mogu da se podignu ili spuste kako bi se sprečio ulazak dece u bazen bez nadzora i da bi se zaštitila od utapanja, najbolje je koristiti namenski bezbednosni uređaj za tu svrhu.

## Bezbednosni uređaj:

- Bezbednosni uređaj može sprečiti decu da uđu u bazen bez nadzora i da se ne udave. Takođe sprečava i druge neovlašćene osobe da ulaze u bazen. Dakle, preporučujemo da ne bi trebalo pokušavati da koristite bez takve bezbednosne opreme. U zavisnosti od pojedinačnih okolnosti, takvi uređaji mogu obuhvatati ogradu, prekrivače sa posebnom zaštitom od povreda, krov ili alarmni sistem.
- Takođe je korisno osigurati vrata i prozore vaše kuće, kao i zemljište, od uljeza koji bi možda želeli da koriste vaš bazen bez vašeg pristanka.
- Imajte na umu da: Zaštitna oprema može učiniti bazen sigurnijim, ali ona nikada ne može zameniti nadzor nad decom od strane odrasle osobe, koja može pomoći u hitnim slučajevima.

## Oprema za spasavanje:

- Preporučuje se držanje opreme za spasavanje (kao što je spasilački kolut) u bazenu za slučaj nužde.
- Proverite da li je telefon u ispravnom stanju i da li je spisak telefonskih brojeva hitnih službi na raspolaganju u blizini bazena u slučaju da se mora pozvati u pomoć u hitnim slučajevima.

## Bezbedna upotreba bazena:

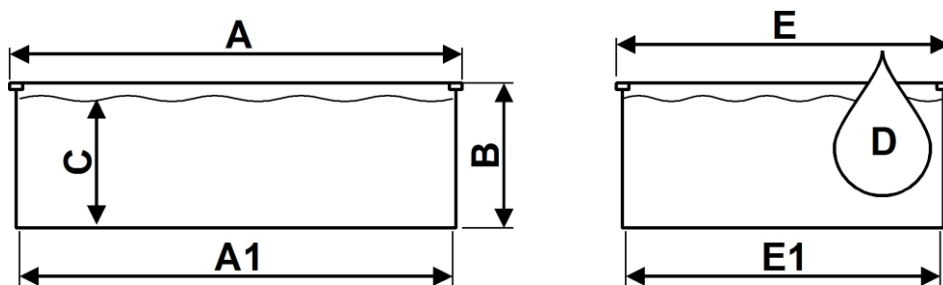
- Podstaknite sve korisnike bazena, posebno decu, da nauče da plivaju.
- Naučite pravila prve pomoći (kardiopulmonalnu reanimaciju) i periodično obnovite svoje znanje. To može sačuvati živote u hitnim slučajevima.
- Unapred uputite sve korisnike bazena, uključujući decu, šta da rade u hitnim slučajevima.
- Nikada ne skačite u plitku vodu. To može dovesti do ozbiljnih povreda ili smrti.
- Nemojte koristiti bazen ako ste pod uticajem alkohola ili lekova koji mogu uticati na vašu sposobnost da bezbedno koristite bazen.
- Ako je vaš bazen opremljen prekrivačem: Proverite da li je prekrivač potpuno podignut/uklonjen sa vodene površine pre upotrebe bazena.
- Da bi se korisnici bazena zaštitili od bolesti koje se prenose vodom, pobrinite se da se voda održava čistom i higijenski bezbednom. Sledite smernice i uputstva u uputstvu za upotrebu proizvoda za prečišćavanje vode.

- Držite sve hemikalije i proizvode za prečišćavanje vode / sredstva za čišćenje/dezinfekciju van domašaja dece.
- Držite odvojive stepenice na horizontalnoj površini kada se ne koriste.
- Zaštitite korisnike bazena od bolesti izazvanih štetnom vodom. Održavajte vodu u bazenu neškodljivom i sledite mere lične higijene.

Stavite nalepnicu upozorenja u blizini (u okviru površine od 2 metra) mesta gde se obično ulazi u bazen ili izlazi iz bazena. Imajte na umu da bazen nije dovoljno dubok da bi se omogućilo bezbedno skakanje, tako da postoji opasnost od povreda.



## Približne dimenzije bazena i zapremina vode



Tip bazena	A1 [cm]	A [cm]	B [cm]	C [cm]	D [m <sup>3</sup> ]	E1 [cm]	E [cm]
Ø 3,6 x 1,2 / 1,5 m	Ø 360	Ø 364	120/150	105/135	10,7/13,7	-	-
Ø 4,0 x 1,2 / 1,5 m	Ø 400	Ø 404	120/150	105/135	13,2/17,0	-	-
Ø 4,6 x 1,2 / 1,5 m	Ø 460	Ø 464	120/150	105/135	17,5/22,5	-	-
Ø 5,0 x 1,2 / 1,5 m	Ø 500	Ø 504	120/150	105/135	20,6/26,5	-	-
Ø 6,0 x 1,2 / 1,5 m	Ø 600	Ø 604	120/150	105/135	29,7/38,2	-	-
3,2 x 5,25 x 1,2 / 1,5 m	525	529	120/150	105/135	15,5/20,0	320	324
3,2 x 6,0 x 1,2 / 1,5 m	600	604	120/150	105/135	18,0/23,0	320	324
3,5 x 7,0 x 1,2 / 1,5 m	700	704	120/150	105/135	23,0/30,0	350	354
4,16 x 8,0 x 1,2 / 1,5 m	800	804	120/150	105/135	31,0/40,0	416	420
4,16 x 10,0 x 1,2 / 1,5 m	1000	1004	120/150	105/135	40,0/51,5	416	420
6,0 x 12,0 x 1,2 / 1,5 m	1200	1204	120/150	105/135	67,5/87,0	600	604

Klasa hermetičnosti bazena: W<sub>2</sub>

Želimo Vam puno radosti sa vašim bazenom!

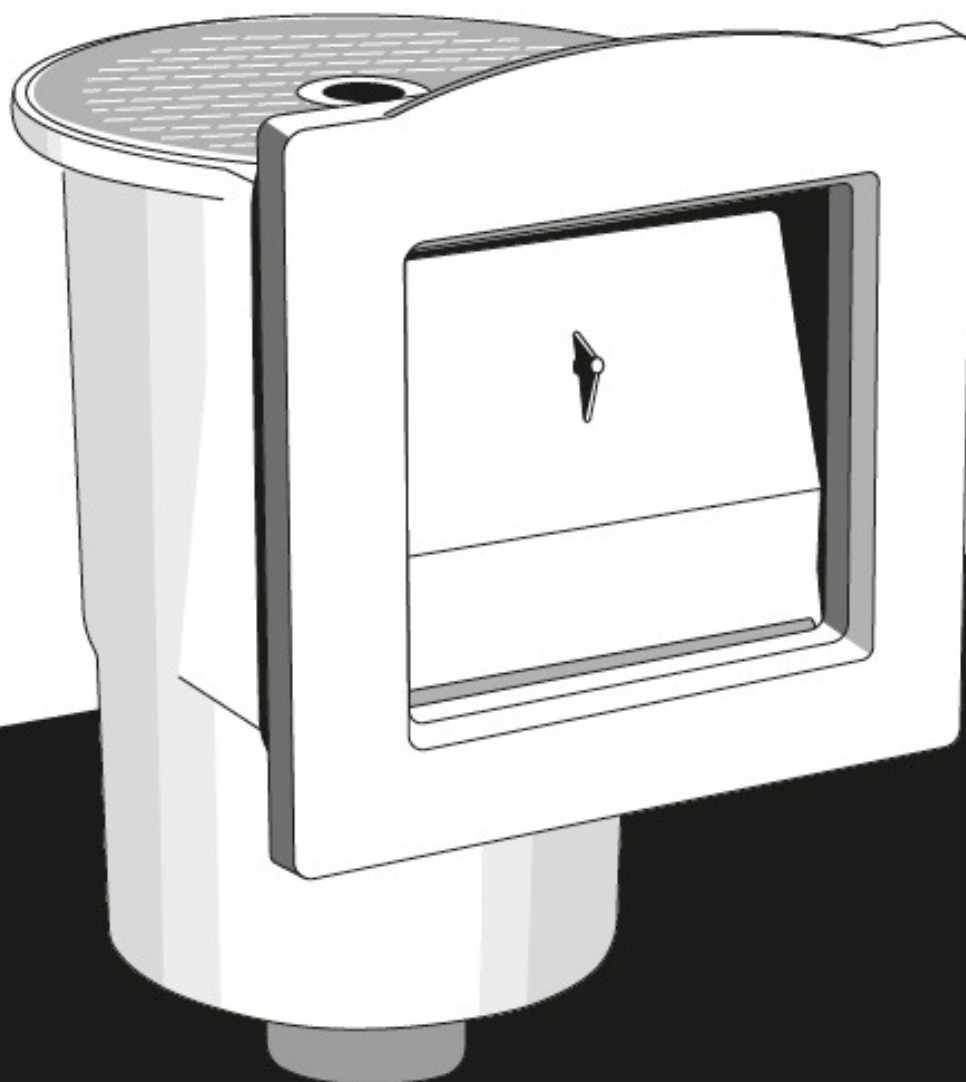
# Mountfield

**Mountfield**

Bazénový sběrač nečistot  
Bazénový zberač nečistôt  
Pool Skimmer  
Pool Skimmer  
Skimmer basenowy  
Szkimmer

# Skimmer

## DELUXE



## Seznam dílů / Zoznam dielov / List of parts / Teileliste / Wykaz części / Alkatrészjegyzék

CZ: 1-Víko, 2-Talíř pro vysavač, 3-Síto, 4-Tělo skimmeru, 5-Klapka, 6-Těsnění skimmeru, 7-Příruba, 8-Sada šroubů s křížovou hlavou: 10 ks, 9-Kryt příruby, 10-Hadicový trn-koleno 32/38 mm, 11-Hadicový trn 32/38m + Vratná tryska s kompletním těsněním, 12- Teflonová páska.

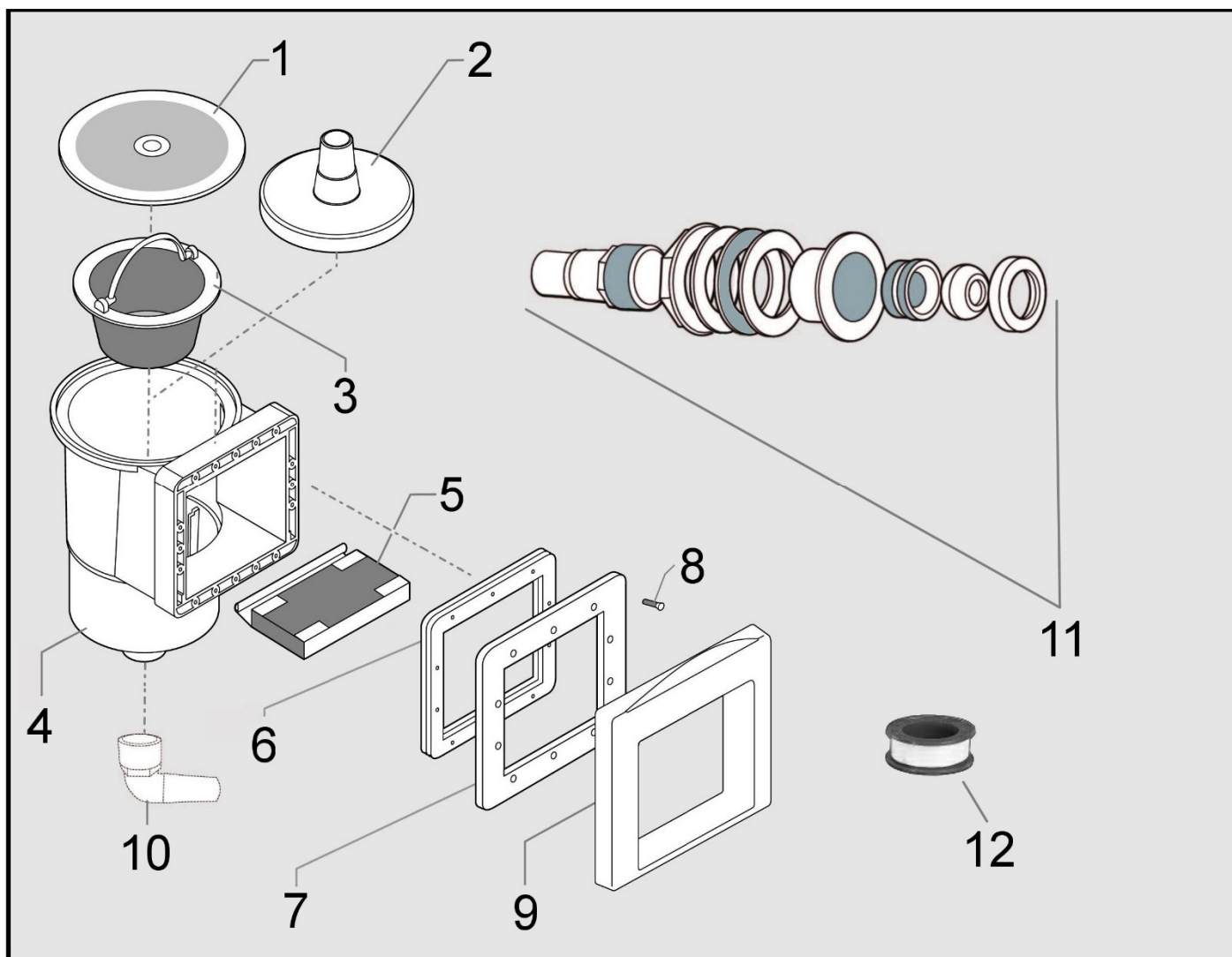
SK: 1-Vrchnák, 2-Tanier na vysávač, 3-Síto, 4-Telo skimmera, 5-Klapka, 6-Tesnenie skimmera, 7-Príruba, 8-Set skrutiek s křížovou hlavou: 10 ks, 9-Kryt príruby, 10-Hadicový trň-koleno 32/38 mm, 11-Hadicový trň 32/38 mm + Vratná dýza s kompletným tesnením s tesnením, 12-Teflon.

EN: 1-Lid, 2-Adapter and plate for the vacuum cleaner, 3-Screen, 4-Teflon tape, 5-Skimmer body, 6-Flap, 7+10-Set of cross-head screws: 10 pcs 10x25mm with a flat head and 2 pcs 10x16mm with round head, 8-Skimmer seal set, 9-Flange, 11-Hose connection joint 38/32 mm, 12-Hose connection 32/38 mm, 13-Return nozzle with complete sealing

DE: 1-Deckel, 2-Teller des Saugers, 3-Sieb, 4-Skimmer-Körper, 5-Klappe, 6-Skimmer-Dichtung, 7-Flansch, 8-Kreuzkopfschrauben-Set: 10 St., 9-Flansch-Abdeckung, 10-Schlauchkupplung gebogen 32/38 mm, 11-Schlauchkupplung 32/38 mm + Einlaufdüse mit Dichtung, 12-Teflon-Band.

PL: 1-Pokrywa, 2-Talerz skimmera, 3-Síto, 4-Korpus skimmera, 5-Klapka, 6-Uszczelka skimmera, 7-Kołnierz, 8-Komplet śrub krzyżakowych: 10 ks, 9-Pokrywa kołnierza, 10-Końcówka kolano 32/38 mm, 11-Końcówka prosta 32/38m + Dysza zwrotna z uszczelkami, 12- Taśma teflonowa.

HU: 1 - Szimmerfedél, 2 - Porszívótárcsa, 3 - Szűrőkosár, 4 - Szimmer ház, 5 - Szimmerajtó, 6 - Szimmer tömítés, 7 - Szimmer keret, 8 - Kereszthornyos csavarkészlet: 10 db, 9 - Keret fedél, 10 - Tömlőcsatlakozó könyök 32/38 mm, 11 - Tömlőcsatlakozó 32/38m + befűvő egység tömítésekkel, 12 - Teflonszalag.



## Návod k použití a instalaci

### 1. POUŽITÍ

Sběrač nečistot slouží k nasávání vody z hladiny bazénu filtračním zařízením. Hmyz, listí a ostatní plovoucí nečistoty jsou nasávány do sběrače a zachycovány v sítu na nečistoty. Ke sběrači lze připojit vyztuženou hadici jak 5/4" (32 mm) tak i 6/4" (38 mm).

### 2. INSTALACE

**Poznámka:** K montáži budete potřebovat křížový šroubovák a nůž s ostrým hrotem.

**Hrany předražených otvorů sběrače a vratné trysky ve stěně obroušením zbavte ostrých otřepů. Toto doporučujeme provést před nasazením fólie do bazénu.**

#### **Pokyny pro montáž vratné trysky**

- Nainstalujte bazénovou fólii a napusťte bazén vodou tak, aby hladina vody dosahovala cca 5 cm pod úroveň připojovacího otvoru vratné trysky.
- Ostrým nožem z vnější strany stěny bazénu vyříznete fólii z kruhového otvoru pro připojení vratné trysky. Otvor ve fólii vyříznete o cca 5-10 mm menší, než je otvor ve stěně.
- Veďte hadicový trn a našroubujte ho do těla vratné trysky. Jako těsnění použijte teflonovou pásku (nepoužívejte žádná lepidla nebo těsnící tmely).
- Do kruhového otvoru ve stěně, zevnitř bazénu, vložte vratnou trysku tak, aby jedno gumové těsnění bylo zevnitř bazénu a vně pak jedno korkové a druhé gumové těsnění. Vratnou trysku dobře utáhněte.
- Do otvoru v těle vratné trysky našroubujte směrovou koncovku a nasměrujte tak, aby nesměřovala k otvoru sběrače.
- Vratnou trysku propojte s filtračním zařízením pomocí hadic. Spoje zajistěte hadicovými sponami. Směr proudu vody vycházejícího z trysky lze nastavit – natočte vnitřní kouli trysky do žádané polohy. Proud vody by měl být směřován od otvoru přepadu sběrače, aby bylo dosaženo optimálního efektu stahování povrchových nečistot do sběrače. Je nutné, aby voda v bazénu „rotovala“.

#### **Pokyny pro montáž sběrače na stěnu nadzemního bazénu**

- Napusťte bazén vodou tak, aby hladina vody dosahovala cca 5 cm pod úroveň připojovacího otvoru sběrače.
- Ostrým nožem z vnější strany stěny bazénu vyříznete fólii z obdélníkového otvoru pro připojení sběrače. Otvor ve fólii vyříznete o cca 5-10 mm menší, než je otvor ve stěně.
- Do takto připraveného otvoru vložte těsnění tak, aby překrylo plech stěny i folii. Ostrým hřebíkem z vnější strany bazénu propíchněte fólii ve všech otvorech pro připojení tělesa sběrače.
- Veďte hadicový trn a našroubujte ho do tělesa sběrače. Jako těsnění použijte teflonovou pásku (nepoužívejte žádná lepidla nebo těsnící tmely).
- Do tělesa sběrače vložte klapku. Než začnete s instalací sběrače na stěnu bazénu zkontrolujte správné nasazení klapky ve vstupní přírubě tělesa sběrače. Klapka se musí volně pohybovat.
- Z vnější strany bazénu přiložte těleso sběrače. Z vnitřní strany bazénu přiložte přírubu.
- Do otvorů v přírubě vložte všech 10 šroubů a křížovým šroubovákem je postupně dotáhněte.
- Nasadte kryt příruby směrem jak je na ní naznačeno (šipka a nápis TOP směrem vzhůru).
- Sběrač propojte s filtračním zařízením pomocí hadic. Spoje zajistěte hadicovými sponami.

### 3. PROVOZ SBĚRAČE

Optimální hladina vody je ve středu přepadu sběrače. Denně čistěte síto sběrače nečistot. Sběrač naplněný vodou nesmí zmrznout. Před příchodem mrazů proveďte zazimování bazénu dle pokynů uvedených v návodu pro bazén.

### 4. PRÁCE S VYSAVAČEM

**Poznámka:** Bazénový vysavač není součástí balení sběrače. Obráťte se na svého prodejce.

Vysavač slouží k odstranění nečistot usazených na dně pomocí filtračního zařízení. Proud vody je pomocí hadice a hlavice vysavače nasáván čerpadlem do filtru, kde se nečistoty zachytávají.

- Sejměte víko sběrače. Ventil filtrační jednotky přepněte do polohy pro filtrování a filtrační jednotku zapněte.
- Hadici od vysavače naplňte vodou (např. proudem vody z vratné trysky).
- Podržte volný konec hadice pod hladinou a připojte k němu talíř. Počkejte, až z talíře začne vytékat proud vody a pak talíř rychle vložte do tělesa sběrače a pevně ho usadte nad sítem sběrače. Při nasazování talíře do sběrače dbejte na to, aby se nepřerušil sloupec vody v hadici a první konec hadice byl stále ponořený pod vodou.
- Na opačný konec hadice (který musí být stále pod vodou) připojte bazénový vysavač.
- Nyní můžete začít vysávat. Při vysávání dbejte na to, aby se hlavice vysavače nedostala nad hladinu a nedošlo tak k zavzdušnění sání. Vysávejte nečistoty ze dna pomalu, prudký pohyb vysavače rozvíří usazené nečistoty.
- Po skončení vysávání odpojte hadici od talíře a talíř vyjměte z tělesa sběrače.

Na závěr vysávání doporučujeme provést kontrolu stavu filtrace, zda není nutno provést vyčištění filtru.

### 5. ZAZIMOVÁNÍ

Před příchodem mrazů postupujte podle pokynů uvedených v návodu pro bazén.

Na poškození mrazem se záruka nevztahuje.

Vyhrazujeme si právo na opravy a provedení změn obsahu toto návodu k použití jako celku, nebo jeho částí, bez povinnosti předchozího upozornění.

## Návod na použitie a inštaláciu

### 1. POUŽITIE

Zberač nečistôt sa používa na čerpanie vody z povrchu bazéna filtračným zariadením. Hmyz, lístie a ostatné plávajúce nečistoty sú nasávané do zberača a zachytávané v site na nečistoty. K zberaču je možné pripojiť vystuženú hadicu ako 5/4 "(32 mm) tak i 6/4" (38 mm).

### 2. INŠTALÁCIA

**Poznámka:** Budete potrebovať krížový skrutkovač a ostrý nôž na montáž.

**Hrany predradených otvorov zberača a vratnej trysky v stene zbavte ostrých výčnelkov a obrúste.**

**Odporúčame previesť pred nasadením fólie do bazéna.**

#### **Pokyny na montáž spätnej trysky**

- Nainštalujte bazénovú fóliu a napuňte bazén vodou tak, aby hladina vody dosahovala cca 5 cm pod úroveň pripájacieho otvoru vratnej dýzy
- Ostrým nožom z vonkajšej strany steny bazéna vyrežte fóliu z kruhového otvoru pre pripojenie vratnej trysky. Vyrežte otvor vo fólii o približne 5-10 mm menší ako otvor v stene.
- Zoberte hrot hadice a zaskrutkujte ho do telesa spätnej trysky. Použite teflónovú pásku (nepoužívajte žiadne lepidlo ani tmely) ako tesnenie.
- Do kruhového otvoru v stene, zvnútra bazéna, vložte vratnú trysku tak, aby jedno gumové tesnenie bolo zvnútra bazéna a zvonka potom jedno korkové a druhé gumové tesnenie. Dotlačnú trysku dobre utiahnite.
- Do otvoru v tele vratnej trysky naskrutkujte smerovú koncovku a nasmerujte tak, aby nesmerovala k otvoru zberača.
- Pripojte vratnú trysku späť k filtračnému zariadeniu pomocou hadíc. Pripojte hadicové svorky. Smer prúdenia vody z dýzy je možné nastaviť - otočte vnútornú guľovú trysku do požadovanej polohy. Prúd vody by mal byť smerovaný od otvoru prepadu zberača, aby bol dosiahnutý optimálny efekt sťahovania povrchových nečistôt do zberača. Je potrebné, aby voda v bazéne "rotovala".

#### **Pokyny pre montáž telesa zberača na stenu nadzemného bazéna**

- Napuňte bazén vodou tak, aby hladina vody dosahovala cca 5 cm pod úroveň pripájacieho otvoru zberača.
- Ostrým nožom z vonkajšej strany steny bazéna vyrežte fóliu z obdĺžnikového otvoru na pripojenie zberača. Otvor vo fólii vyrežte o cca 5-10 mm menší, ako je otvor v stene.
- Do takto pripraveného otvoru vložte tesnenie tak, aby prekrylo plech steny aj fóliu. Ostrým klincom z vnútornej strany bazéna prepichnete fóliu vo všetkých otvoroch na pripojenie telesa zberača.
- Vezmite hadicový trň a naskrutkujte ho do telesa zberača. Ako tesnenie použite teflónovú pásku (nepoužívajte žiadne lepidlá alebo tesniace tmely).
- Do telesa zberača vložte klapku. Kým začnete s inštaláciou zberača na stenu bazéna, skontrolujte správne nasadenie klapky vo vstupnej prírubе telesa zberača. Klapka sa musí voľne pohybovať.
- Z vnútornej strany bazéna priložte teleso zberača. Z vnútornej strany bazéna priložte prírubu.
- Do otvorov v prírubе vložte všetkých 10 skrutiek a krížovým skrutkovačom ich postupne dotiahnite.
- Nasadte kryt príruby smerom ako je na nej naznačené (šípka a nápis TOP smerom nahor).
- Zberač prepojte s filtračným zariadením pomocou hadíc. Spoje zaistite hadicovými sponami

### 3. PREVÁDZKA ZBERNÉHO ZARIADENIA

Optimálna hladina vody je v strede prepadu kolektora. Denne čistite sito zberača nečistotou. Vodný kolektor nesmie zamrznúť. Pred príchodom mrazov urobte zazimovanie bazénu podľa návodu pre bazén.

### 4. PRÁCA S VYSÁVAČOM

**Poznámka:** Bazénový vysávač nie je súčasťou balenia bazénu. Obráťte sa na svojho predajcu. Vysávač slúži k odstráneniu nečistôt usadených na dne pomocou filtračného zariadenia. Prúd vody je pomocou hadice vysávača nasávaný čerpadlom do filtra, kde sa nečistoty zachytávajú.

- Snímate vrchnák zberača. Ventil filtračnej jednotky prepnete do polohy pre filtrovanie a filtračnú jednotku zapnete.
- Hadicu od vysávača naplňte vodou (napr. prúdom vody z vratnej dýzy).
- Podržte voľný koniec hadice pod hladinou a pripojte k nemu tanier. Počkajte, až kým z taniera nezačne vytekať prúd vody a potom tanier rýchlo vložte do telesa zberača a pevne ho usadte nad sitom zberača. Pri nasadzovaní taniera do zberača dbajte na to, aby sa neprerušil stípec vody v hadici a prvý koniec hadice bol stále ponorený pod vodou.
- Na opačný koniec hadice (ktorý musí byť stále pod vodou) pripojte bazénový vysávač.
- Môžete začať vysávať. Pri vysávaní dbajte na to, aby sa hlavica vysávača nedostala nad hladinu a nedošlo tak k zavzdušneniu sania. Vysávajte nečistoty zo dna pomaly, prudký pohyb vysávača rozvíri usadené nečistoty.
- Po skončení vysávania odpojte hadicu od taniera a tanier vyberte z telesa zberača.

Na záver vysávania odporúčame spraviť kontrolu stavu filtrácie, že či nie je nutné vyčistiť filter.

### 5. ZAZIMOVANIE

Pred príchodom mrazov postupujte podľa pokynov uvedených v návode pre bazén.

Na poškodenie mrazom sa záruka nevzťahuje.

Vyhradzujeme si právo na opravy a prevedenie zmien obsahu tohto návodu k použitiu ako celku, alebo jeho časti, bez povinnosti predchádzajúceho upozornenia.

## Instructions for use and installation

### 1. USE

The skimmer is used for drawing water from the pool surface through the filtering device. Insects, leaves, and other dirt floating on the surface are sucked into the skimmer and trapped in a screen for dirt. Both a 5/4 "(32 mm) and a 6/4" (38 mm) reinforced hose can be connected to the skimmer.

**Note:** You will need a cross-head screwdriver and a knife with a sharp tip for the installation.

**Remove sharp burrs from the edges of the skimmer's pre-made holes and from the edges of the return nozzles in the wall by grinding them down. We recommend that this be carried out before putting the foil into the pool.**

### 2. INSTALLATION

#### Instructions for installing the return nozzle

- a) Install the pool foil and fill the pool with water so that the water level reaches about 5 cm below the return hole of the return nozzle.
- b) Using a sharp knife, cut the foil from the circular hole for the connection of the return nozzle from the outside of the pool wall. In the foil, cut a hole that is about 5-10 mm smaller than the hole in the wall.
- c) Take hose connection, and screw it into the body of the return nozzle. Use teflon tape (do not use any glues or sealants) as a seal.
- d) Insert the return nozzle into the round hole in the wall from the inside of the pool such that one rubber seal is inside the pool and one seal cork and one rubber seal is outside the pool. Tighten the return nozzle well.
- e) Screw the guide terminal into the hole in the return nozzle body, and direct it such that it does not point toward the hole of the skimmer.
- f) Connect the return nozzle to the filtration device using the hoses. Secure the connections with hose clips. The direction of the water flow from the nozzle can be adjusted - rotate the inner nozzle ball to the desired position. The water flow should be directed away from the skimmer overflow hole to achieve the optimal effect of drawing the surface debris into the skimmer. It is necessary for the water in the pool to "rotate".

#### Instructions for skimmer installation on the wall of a non-recessed pool

- a) Fill the pool with water so that the water level is approximately 5 cm below the level of the skimmer connection hole.
- b) Using a sharp knife from the outside of the pool wall, cut the film from the rectangular hole for the skimmer connection. Cut the hole in the foil about 5-10 mm smaller than the hole in the wall.
- c) Insert the seal into the hole so that it covers both the wall plate and the foil. Using a sharp nail from the outside of the pool, pierce the film in all openings for the skimmer body connection.
- d) Take the hose mandrel and screw it into the skimmer body. Use Teflon tape as a seal (do not use any adhesives or sealants).
- e) Insert a flap into the skimmer body. Before installing the skimmer on the pool wall, check that the flap is correctly fitted to the skimmer inlet flange. The flap must move freely.
- f) Place the skimmer body from outside the pool. Apply a flange from the inside of the pool.
- g) Insert all 10 screws into the flange holes and tighten them gradually using a Phillips screwdriver.
- h) Insert the flange cover as indicated (arrow and TOP pointing up).
- i) Connect the skimmer to the filter unit with hoses. Secure the connections with hose clamps.

### 3. OPERATION OF THE SKIMMER

The optimum water level is at the centre of the skimmer overflow hole. Clean the screen of the dirt skimmer on a daily basis. The skimmer must not freeze when it is filled with water. Carry out the winterization of the pool according to the instructions in the pool's manual before the first frost comes.

### 4. WORK WITH A VACUUM CLEANER

**Note:** The vacuum cleaner is not included to the package. Contact your vendor. The vacuum cleaner is used to remove impurities settled on the bottom with a filtration system. The vacuum cleaner sucks with a hose a flow of water driven by a pump to the filter where the impurities are trapped.

- a) Remove the top cover of the skimmer. Switch over the valve handle of the filtration unit to the filtration position and switch on the unit.
- b) Fill the vacuum cleaner hose with water (for instance by water from the return nozzle).
- c) Keep the free end of the hose below the water level and connect the plate. Wait until water starts to flow from the plate and then insert the plate to the body of the skimmer and seat it firmly above the basket of the skimmer. When seating the plate to the skimmer take care and don't cut off the column of water in the hose and keep the free end of the hose below the water level.
- d) Connect the vacuum cleaner to the free end of the hose (it must be always below the water level).
- e) Now you can start cleaning with the vacuum cleaner. Make sure the head of the cleaner gets not out from water during the cleaning as it could take some air in the suction. Slowly remove impurities from the bottom, any quick movement of the cleaner could disturb the settled impurities.
- f) After the completion of the cleaning, disconnect the hose from the plate and take the plate out from the body of the skimmer.

We recommend to check the condition of the filtration unit at the end of cleaning and to find out whether it is necessary to clean the filter.

### 5. PREPARATION FOR WINTER

Before the freezing temperature start, take measures specified in the instruction for the use of the swimming pool. Frost damage is not covered under warranty. We reserve the right to make changes to the contents of this manual for use as a whole or part thereof without prior notice.

## Gebrauchs- und Montageanleitung

### 1. VERWENDUNG

Der Skimmer saugt Luft von der Wasseroberfläche des Schwimmbeckens mit Hilfe einer Filtereinrichtung an. Insekten, Blätter und sonstige schwimmende Verunreinigungen werden in den Skimmer angesaugt und in einem Sieb aufgefangen. An den Skimmer kann ein verstärkter Schlauch angeschlossen werden - 5/4" (32 mm) sowie 6/4" (38 mm).

**Anmerkung:** Für die Montage benötigen Sie einen Schraubenzieher und ein Messer mit scharfer Spitze.

Die scharfen Kanten der vorgestanzten Öffnungen des Skimmers und der Einlaufdüse in der Wand schleifen Sie zunächst ab. Wir empfehlen Ihnen, es noch vor dem Einlegen der Folie in das Schwimmbecken zu tun.

### 2. MONTAGE

**Hinweise** für die Montage der Einlaufdüse

- Bringen Sie die Schwimmbecken-Folie an und lassen Sie so viel Wasser ein, bis der Wasserpegel rund 5 cm unterhalb der Anschlussöffnung für die Einlaufdüse reicht.
- Benutzen Sie ein scharfes Messer, um von der Außenseite des Schwimmbeckens ein rundes Loch für das Anschließen der Einlaufdüse auszuschneiden. Das Loch sollte um etwa 5-10 mm kleiner als das Loch in der Wand sein.
- Schrauben Sie die zweite Schlauchkupplung an die Einlaufdüse an. Benutzen Sie zur Abdichtung ein Teflonband (benutzen Sie weder Klebstoff noch Dichtungskitt).
- Legen Sie die Einlaufdüse in das Loch innerhalb des Schwimmbeckens so an, damit sich innerhalb des Schwimmbeckens eine Gummidichtung und außerhalb eine Kork- sowie Gummidichtung befinden. Ziehen Sie die Einlaufdüse gut nach.
- Schrauben Sie an das Loch der Einlaufdüse ein Richtungsendstück an. Dieses sollte nicht auf die Skimmeröffnung gerichtet sein.
- Verbinden Sie den Skimmer und die Einlaufdüse mit der Filtereinrichtung mit Hilfe von Schläuchen. Fixieren Sie die Verbindungsstellen mit Schlauchklemmen. Die Stromrichtung aus der Düse kann eingestellt werden – drehen Sie die innere Düsenkugel in die gewünschte Position. Der Wasserstrom sollte auf die Öffnung des Skimmer-Überfalls gerichtet sein, um das optimale Ableiten von Verunreinigungen von der Oberfläche in den Skimmer zu gewährleisten. Das Wasser muss im Schwimmbecken „strömen“.

#### Montageanleitung für den Wandskimmer für oberirdische Schwimmbecken

- Lassen Sie so viel Wasser in das Schwimmbecken ein, damit der Wasserpegel ca. 5 cm unterhalb die Anschlussöffnung des Skimmers reicht.
- Mit einem scharfen Messer schneiden Sie von der Außenseite des Schwimmbeckens die Folie aus der rechteckigen Anschlussöffnung des Skimmers aus. Die Öffnung in der Folie muss um ca. 5-10 mm kleiner als die Wandöffnung sein.
- In diese Öffnung legen Sie die Dichtung so ein, damit diese das Blech der Wand und die Folie abdeckt. Mit einem scharfen Nagel durchstechen Sie von der Außenseite des Schwimmbeckens die Folie in allen Öffnungen für den Anschluss des Skimmer-Körpers.
- Nehmen Sie die Schlauchkupplung und schrauben Sie diese an den Skimmer-Körper. Benutzen Sie zur Abdichtung ein Teflonband (benutzen Sie weder Klebstoff noch Dichtungskitt).
- Legen Sie in den Skimmer-Körper die Klappe ein. Bevor Sie den Skimmer an die Wand des Schwimmbeckens montieren, überprüfen Sie die korrekte Montage der Klappe im Eingangsfansch des Skimmer-Körpers. Die Klappe muss sich frei bewegen können.
- Von der Außenseite des Schwimmbeckens legen Sie den Skimmer-Körper an. Von der Innenseite des Schwimmbeckens legen Sie den Flansch an.
- Legen Sie in die Öffnungen der Flansch alle 10 Schrauben ein und ziehen Sie diese mit einem Kreuzschraubenzieher fest.
- Setzen Sie die Flansch-Abdeckung in der Richtung auf, die darauf angedeutet ist (Pfeil mit der Aufschrift TOP nach oben).
- Verbinden Sie den Skimmer mit der Filtereinrichtung mit Hilfe von Schläuchen. Fixieren Sie die Verbindungsstellen mit Schlauchklemmen.

### 3. BETRIEB DES SKIMMERS

Der optimale Wassertand ist in der Mitte des Skimmerüberlaufs. Sie sollten das Sieb des Skimmers täglich reinigen. Der Skimmer darf nicht einfrieren, wenn er mit Wasser gefüllt ist. Noch vor dem ersten Frost sollte das Schwimmbecken winterfest gemacht werden – siehe Hinweise in der Gebrauchsanleitung für das Schwimmbecken.

### 4. BENUTZUNG DES BODENSAUGERS

Der Bodensauger dient zur Beseitigung von Unreinheiten am Boden mit Hilfe einer Filteranlage. Der Wasserstrom wird durch den Schlauch und Saugkopf von der Pumpe in die Filteranlage angesaugt, wo die Unreinheiten haften bleiben.

- Nehmen Sie die Abdeckung des Skimmers ab. Das Ventil der Filtereinheit schalten Sie in die Position für das Filtrieren und schalten Sie die Filtereinheit ein.
- Füllen Sie den Schlauch des Saugers mit Wasser (z.B.: mit dem Wasserstrahl an der Einlaufdüse).
- Halten Sie das freie Ende des Schlauchs unter die Wasseroberfläche und schließen Sie den Teller an. Warten Sie, bis aus dem Teller das Wasser zu laufen beginnt, legen Sie den Teller dann schnell in den Skimmer-Körper und montieren Sie ihn über dem Sieb des Skimmers fest. Beim Einsetzen des Tellers in den Skimmer achten Sie darauf, dass der Wasserpegel im Schlauch erhalten bleibt und das erste Ende des Schlauchs immer in Wasser getaucht ist.
- An das entgegengesetzte Schlauchende (das immer in Wasser getaucht sein muss) schließen Sie den Poolsauger an.
- Jetzt können Sie zu Saugen beginnen. Beim Saugen achten Sie darauf, dass der Kopf des Saugers nicht unter die Wasseroberfläche kommt und die Saugvorrichtung mit Luft gefüllt wird. Saugen Sie den Boden langsam, da abrupte und schnelle Bewegungen des Saugers die Unreinheiten aufwirbeln könnten.
- Nach dem Saugvorgang stecken Sie den Schlauch aus dem Teller aus und entnehmen Sie den Teller aus dem Skimmer-Körper. Wir empfehlen Ihnen, nach dem Saugen den Filter zu kontrollieren, ob dieser nicht gereinigt werden muss.

### 5. ÜBERWINTERN

Noch vor dem ersten Frost machen Sie das Schwimmbecken entsprechend den Anweisungen in der Bedienungsanleitung winterfest. Frostschäden fallen nicht unter Garantiemängel.

Wir behalten uns das Recht auf Korrekturen und Inhaltsänderungen dieser Bedienungsanleitung als Ganzen, oder deren Teile, vor ohne darauf im Voraus hinweisen zu müssen.



## Instrukcja użytkowania i instalacji

### 1. PRZEZNACZENIE

Skimmer służy do zasysania wody z powierzchni basenu do urządzenia filtrującego. Owady, liście i inne zanieczyszczenia pływające są zasysane do skimmera i wyłapywane na sicie do zanieczyszczeń. Do skimmera można podłączyć zarówno wąż zbrojony 5/4" (32 mm), jak i 6/4" (38 mm).

### 2. INSTALACJA

**Uwaga:** Do montażu będzie nam potrzebny wkrętak krzyżowy i nóż z ostrym końcem.

**Usuń ostre zadziory z krawędzi wcześniej wykonanych otworów skimmera i z krawędzi dysz zwrotnych w ścianie, szlifując je. Zalecamy to zrobić przed włożeniem folii do basenu.**

**Zalecenia do montażu dyszy zwrotnej:**

- Zainstaluj folię basenową i napełnij basen wodą, aby poziom wody osiągnął około 5 cm poniżej otworu przyłączeniowego dyszy zwrotnej.
- Oстрыm nożem od strony zewnętrznej ściany basenu wycinamy folię z okrągłego otworu do podłączenia dyszy powrotnej. Otwór w folii wycina się o około 5-10 mm mniejszy od otworu w ścianie.
- Weź końcówkę prostą do węża i przykręć ją do korpusu dyszy zwrotnej. Jako uszczelnienie stosujemy taśmę teflonową (nie stosujemy żadnych klejów albo kitów uszczelniających).
- Do okrągłego otworu w ścianie, z zewnątrz basenu, wkładamy dyszę zwrotną tak, aby jedna gumowa uszczelka była wewnątrz basenu, a na zewnątrz jedna korkowa i druga uszczelka gumowa. Mocno dokręcamy dyszę zwrotną.
- Do otworu w korpusie dyszy zwrotnej wkręcamy końcówkę kolano i kierujemy ją tak, żeby nie trafiała w stronę otworu skimmera.
- Dyszę powrotną łączymy z urządzeniem filtrującym za pomocą węży. Połączenia zabezpieczamy opaskami do węży. Kierunek strumienia wody wypływającej z dyszy trzeba wyregulować – obracamy wewnętrzną kulistą część dyszy we właściwe położenie. Strumień wody powinien być skierowany od otworu przelewowego skimmera, aby osiągnąć optymalny efekt zbierania zanieczyszczeń powierzchniowych do skimmera. Trzeba, aby woda w basenie wirowała.

**Instrukcje montażu skimmera do ściany basenu naziemnego**

- Napełnij basen wodą, aby poziom wody osiągnął około 5 cm poniżej poziomu otworu przyłączeniowego skimmera.
- W celu podłączenia skimmera, za pomocą ostrego noża, wytnij z zewnątrz ściany basenu folię z prostokątnego otworu. Wytnij otwór w folii o około 5-10 mm mniejszy niż otwór w ścianie.
- W tak przygotowany otwór włóż uszczelkę tak, aby zakryła blachę ścienną i folię. Za pomocą ostrego gwoździa z zewnątrz basenu przebij folię we wszystkich otworach w celu podłączenia korpusu skimmera.
- Weź końcówkę prostą i wkręć ją w korpus skimmera. Użyj taśmy teflonowej jako uszczelnienia (nie używaj żadnych klejów ani uszczelnaczy).
- Włóż kłapkę do korpusu skimmera. Przed zainstalowaniem skimmera w ścianie basenu sprawdź, czy kłapka jest prawidłowo przymocowana do kołnierza wlotowego skimmera. Kłapa musi się swobodnie poruszać.
- Od zewnętrznej strony basenu umieść korpus skimmera. Od wewnętrznej strony basenu przyłącz kołnierz.
- Włóż wszystkie 10 śrub w otwory kołnierza i dokręć je stopniowo za pomocą śrubokręta krzyżakowego.
- Założ pokrywę kołnierza we wskazanym kierunku (strzałka i napis TOP w górę).
- Podłącz skimmer do urządzenia filtrującego za pomocą węży. Zabezpieczyć połączenia za pomocą opasek zaciskowych.

### 3. UŻYTKOWANIE SKIMMERA

Optymalny poziom wody to środek otworu skimmera. Codziennie czyścimy sitko skimmera z zanieczyszczeń. Skimmer napełniony wodą nie może zamarznąć. Przed przyjściem mrozów trzeba przygotować basen do przezimowania zgodnie z zaleceniami zamieszczonymi w instrukcji użytkowania basenu.

### 4. PRACA Z ODKURZACZEM BASENOWYM

Skimmer służy do usuwania brudu osadzonego na dnie za pomocą urządzenia filtrującego. Strumień wody jest zasysany przez pompę i głowicę skimmera do filtra, w którym gromadzi się brud.

- Zdejmij pokrywę skimmera. Ustaw zawór jednostki filtrującej w pozycji filtra i włącz jednostkę filtrującą.
- Wąż skimmera napełnij wodą (np. strumieniem wody z dyszy zwrotnej).
- Przytrzymaj wolny koniec węża pod powierzchnią i przymocuj do niego talerz. Poczekaj, aż strumień wody wypłynie z talerza, a następnie szybko włóż talerz do korpusu skimmera i umieść ją mocno nad sitem skimmera. Wkładając talerz do skimmera, staraj się, aby strumień wody w wężu nie został przerwany i aby końcówka węża była nadal zanurzony pod wodą.
- Podłącz skimmer do przeciwnego końca węża (który zawsze musi znajdować się pod wodą).
- Teraz możesz rozpocząć oczyszczanie. Podczas oczyszczania należy upewnić się, że głowica skimmera nie wystaje ponad powierzchnię i że nie doszło do zapowietrzenia. Zanieczyszczenia z dna odsysaj powoli, gwałtowny ruch skimmera spowoduje zamieszanie osadu.
- Po zakończeniu odsysania odłącz wąż od talerza i wyjmij talerz z korpusu skimmera. Po zakończeniu odsysania zalecamy sprawdzenie stanu filtra, a jeśli to konieczne, filtr należy wyczyścić.

### 5. PRZYGOTOWANIE DO ZIMY

Przed nadejściem mrozów postępuj zgodnie ze wskazówkami w instrukcji obsługi basenu.

Gwarancja nie obejmuje uszkodzeń spowodowanych mrozem.

Zastrzegamy sobie prawo do modyfikacji lub zmian w treści niniejszej instrukcji użytkowania w całości lub w części, bez uprzedniego powiadomienia.

## Használati és telepítési útmutató

### 1. RENDELTETÉS

A szkimmer szennyeződés gyűjtővel és szűrővel a medence vízszintjéről lehet eltávolítani a szennyeződéseket. A szkimmerbe szívott vízből a szűrőkosár szűri ki a víz színén úszó legyeket és bogarakat, leveleket és egyéb szennyeződéseket. A szkimmerhez 5/4"-os (32 mm) vagy 6/4"-os (38 mm) merevített falú tömlőt lehet csatlakoztatni.

### 2. TELEPÍTÉS

**Megjegyzés:** a szereléshez éles és hegye késre, valamint kereszthornyos csavarhúzóra lesz szüksége.

**A szkimmer nyílásáról, valamint a befúvó fúvókáról távolítsa el az esetleges sorjakat és törje le az éles éleket. Ezt a medence fóliára való felszerelés előtt hajtsa végre.**

#### A befúvó fúvóka szerelése

- A medencét állítsa össze, és a medencébe engedjen annyi vizet, hogy a vízszint a befúvó fúvóka alatt kb. 5 cm-re legyen.
- A medence külső feléről vágjon ki egy kör nyílást a befúvó fúvóka beszereléséhez. A fóliában a nyílás átmérője legyen 5-10 mm-rel kisebb, mint a falba vágott nyílás átmérője.
- A tömlőcsatlakozót csavarozza a befúvó fúvókához. Tömítésként a mellékelt teflonszalagot használja. Ne használjon ragasztó vagy tömítő anyagokat.
- A falban kivágott nyílásba belülről dugja be a befúvó fúvókát úgy, hogy a medencén belül egy gumi tömítés legyen, a medencén kívül pedig a parafa és a másik gumi tömítés. A befúvó fúvókát erősen csavarozza össze.
- A befúvó fúvókába csavarozza be az vízáramlat irányát meghatározó golyós fúvókát, és úgy állítsa be, hogy ne nézzen a szkimmer felé.
- A befúvó fúvókát tömlő segítségével csatlakoztassa a szűrő egységhez. A tömlőcsatlakozást tömlőbilinccsel rögzítse. A befúvó fúvókából kiáramló levegő irányát be lehet állítani, ehhez a furatos golyó fúvókát állítsa be a kívánt irányba. A beáramló víz iránya legyen ellentétes a szkimmer beszívó nyílásával, hogy a medence vizét a szennyeződésekkel együtt a szkimmer ajtóhoz terelje. A beállítás akkor helyes, ha a medencében „forog” a víz.

#### A szkimmer szerelése a talaj feletti medence falához

- A medencét állítsa össze, és a medencébe engedjen annyi vizet, hogy a vízszint a szkimmer nyílásának a felső szélétől kb. 5 cm-re legyen.
- A medence külső feléről vágjon ki egy négyszög nyílást a szkimmer beszereléséhez. A fóliában a nyílás legyen 5-10 mm-rel kisebb, mint a falba vágott nyílás mérete.
- Az így előkészített nyílásra tegye rá a tömítést úgy, hogy a teljes kerületen letakarja a falat és a fóliát. Egy hegyes szeggel, a medence külső feléről szúrja át a fóliát a csavarok részére.
- A tömlőcsatlakozót csavarozza a szkimmerbe. Tömítésként a mellékelt teflonszalagot használja. Ne használjon ragasztó vagy tömítő anyagokat.
- A szkimmerbe szerelje be az ajtót. A szkimmer beszerelése előtt ellenőrizze le az ajtó helyes beszerelését a szkimmer házába. Az ajtónak szabadon, akadály nélkül kell mozognia.
- A medence külső feléről tegye a szkimmert a nyílásra. A medence belső részéről tegye a keretet a nyílásra.
- A keret furataiba dugja be a 10 darab csavart, majd keresztirányban húzza meg a csavarokat egy csavarhúzóval.
- A keret fedelet tegye a keretre (a nyíl és a TOP felirat felfelé nézzen).
- A szkimmert tömlő segítségével csatlakoztassa a szűrő egységhez. A tömlőcsatlakozást tömlőbilinccsel rögzítse.

### 3. A SZKIMMER HASZNÁLATA

Akkor optimális a vízszint, ha a szkimmer bemenet közepéig ér. A szkimmer kosarát naponta tisztítsa meg. A vízzel teli szkimmert nem szabad fagynak kitenni. A téli időszak beállta előtt a medencét a medence használati útmutatója szerint készítse fel télre.

### 4. A PORSZÍVÓ HASZNÁLATA

**Megjegyzés:** a medence porszívó nem része a szkimmernek. Forduljon a medence eladóhoz.

A porszívóval a medence fenekéről lehet elszívni a lerakódott szennyeződéseket. A porszívó fej és a tömlő segítségével a medence porszívó a vizet a szűrőbe továbbítja, ahol a szennyeződéseket a szűrő felfogja.

- Vegye le a szkimmer fedelet. A szűrőegység szelepét kapcsolja szűrési üzemmód állásba, majd kapcsolja be a szűrőegységet.
- A porszívó tömlőjét töltsse fel vízzel (pl. a befúvó fúvókával).
- A porszívó szabad végét tartsa a víz alatt, és csatlakoztassa hozzá a porszívótárcsát. Várja meg, amíg a porszívótárcsából folyni nem kezd a víz, majd a tárcsát gyorsan tegye a szkimmerbe a kosár fölé. A porszívótárcsa szkimmerbe helyezése közben ügyeljen arra, hogy a vízoszlop ne szakadjon meg, és a tömlő másik vége folyamatosan a vízben legyen.
- A víz alatt lévő tömlő végére szerelje fel a medencefenék porszívót.
- Megkezdheti a fenék kiporszívózását. A porszívózás közben ügyeljen arra, hogy a porszívó fej ne kerüljön a vízszint fölé, mert a rendszer levegőt szívna be. A medencefenék porszívózását lassan végezze, mert a gyors mozgással csak fölzavarja a szennyeződést.
- A porszívózás befejezése után a tömlőt húzza le a porszívótárcsáról és a tárcsát vegye ki a szkimmerből. A porszívózás után ellenőrizze le a szűrőegység telítődését, előfordulhat, hogy a szűrőt is ki kell tisztítani.

### 5. TÉLI IDŐSZAKRA VALÓ FELKÉSZÍTÉS

A téli időszak beállta előtt a medencét a medence használati útmutatója szerint készítse fel télre.

A fagy okozta sérülésekre a garancia nem vonatkozik.

Fenntartjuk a jogot a jelen dokumentum tartalmának az előzetes bejelentés nélküli megváltoztatására, javítására vagy kiegészítésére.

**Mountfield**  
pool & garden

*Azuro*

## **SAND FILTERS / SANDFILTER**

**EN** Installation, assembly and operation manual (original instruction manual)

**DE** Installations-, Einbau- und Bedienungsanleitung (Originalbetriebsanleitung)

**ES** Manual de instalación, montaje y funcionamiento

**RU** Руководство по установке, сборке и эксплуатации

**IT** Manuale di installazione, montaggio e funzionamento

**HU** Telepítési, szerelési és üzemeltetési kézikönyv

**FR** Manuel d'installation, d'assemblage et d'utilisation



# ES/EU PROHLÁŠENÍ O SHODĚ (originál)

## EC/EU declaration of conformity (the original)

Výrobce / Manufacturer:	Garsys, s.r.o.
Adresa / Address:	Mánesova 535/29, 737 01 Český Těšín.
IČ / ID:	63322447
Jméno a adresa osoby pověřené sestavením technické dokumentace (podle 2006/42/ES, NV č. 176/2008 Sb.) / Name and address of the person authorised to compile the technical file (according to 2006/42/EC):	Garsys, s.r.o., Mánesova 535/29, 737 01 Český Těšín.
Výrobek (stroj) – typ / Product (Machine) – Type:	Písková filtrace SWING/AZURO
Výrobní číslo / Serial number:	SP10/2020/00001 – SP10/2020/99999 SP14/2020/00001 – SP14/2020/99999 SP18/2020/00001 – SP18/2020/99999 SA2/2020/00001 – SA2/2020/99999 SA4/2020/00001 – SA4/2020/99999 SA6/2020/00001 – SA6/2020/99999
Popis / Description:	Řada pískových filtrací SWING/AZURO je určena pro údržbu vody v nadzemních bazénech. Technické údaje:  Napájecí napětí: 1x230V+N+PE/50Hz Jmenovitý výkon: 85 W, 190 W, 250 W Stupeň krytí: IP X5 Max. pracovní teplota: 35 °C Zařízení třídy ochrany I dle ČSN 330600
Prohlašujeme, že strojní zařízení splňuje všechna příslušná ustanovení uvedených směrnic (NV) / We declare that the machinery fulfils all the relevant provisions of the mentioned Directives (Government Provisions):	Strojní zařízení – směrnice 2006/42/ES, NV č. 176/2008 Sb. / the Machinery Directive 2006/42/EC, Elektromagnetická kompatibilita – směrnice 2014/30/EU, NV č. 117/2016 Sb. / the Electromagnetic Compatibility (EMC) Directive 2014/30/EU, ROHS – směrnice 2011/65/EU RoHS
Harmonizované technické normy a technické normy použité k posouzení shody / The harmonized technical standards and the technical standards applied to the conformity assessment:	ČSN EN ISO 12100, , ČSN EN 60335-1 ed.2, ČSN EN 60335-2-41 ed.2 ČSN EN 61000-6-3 ed.2:2007, +/A1:2011, +/Opr.1:2013 ČSN EN 61000-6-1 ed.2:2007, +/Z1:2019 ČSN EN 16713-1
Posouzení shody provedla / The conformity assessment carried out by:	STÁTNÍ ZKUŠEBNA STROJŮ a.s./ The Government Testing Laboratory of Machines J.S.C. Třanovského 622/11, CZ-163 04 Praha 6-Řepy, ČR / Czech Republic. Závěrečná zpráva č. / The Final Report No.: <b>38 572.</b>

Poznámka: Veškeré předpisy byly použity ve znění jejich změn a doplňků platných v době vydání tohoto prohlášení bez jejich citování. /  
Note: All regulations were applied in wording of later amendments and modifications valid at the time of this declaration issue without any citation of them.

Místo a datum vydání /  
Place and date of issue:

Osoba zmocněná k podpisu za výrobce /  
Signed by the person entitled to deal in the name of producer:

Jméno / p. SARAN Tomáš  
Name:

Funkce / Jednatel společnosti  
Grade:

Podpis /  
Signature:



# Sand Filters

Azuro 2m<sup>3</sup>/h  
Azuro 4m<sup>3</sup>/h  
Azuro 4m<sup>3</sup>/h + Timer  
Azuro 6m<sup>3</sup>/h + Timer  
**for above-ground pools**

**EN**

Installation, assembly and operation manual



**(original instruction manual)**



**PRIOR TO INSTALLING AND USING THIS PRODUCT, THOROUGHLY READ, UNDERSTAND AND ADHERE ALL THE INSTRUCTIONS IN THE MANUAL. KEEP THE MANUAL FOR LATER REFERENCE.**

*Version 4/ August 2021*

## General

Made for Mountfield a.s. by Garsys s.r.o., industrial zone at the František mine, K Prádlu, 735 Horní Suchá, 735 35; country of origin: Czech Republic

## Safety Instructions



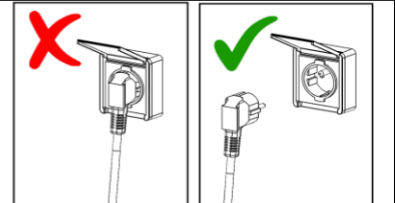
This symbol marks instructions if failure to comply can endanger personal health.



This symbol marks instructions if failure to comply can result in electrical shock injuries.



**WHEN SWIMMING IN THE POOL OR HANDLING IT IN ANY WAY, DISCONNECT THE APPLIANCE FROM THE POWER SUPPLY.**

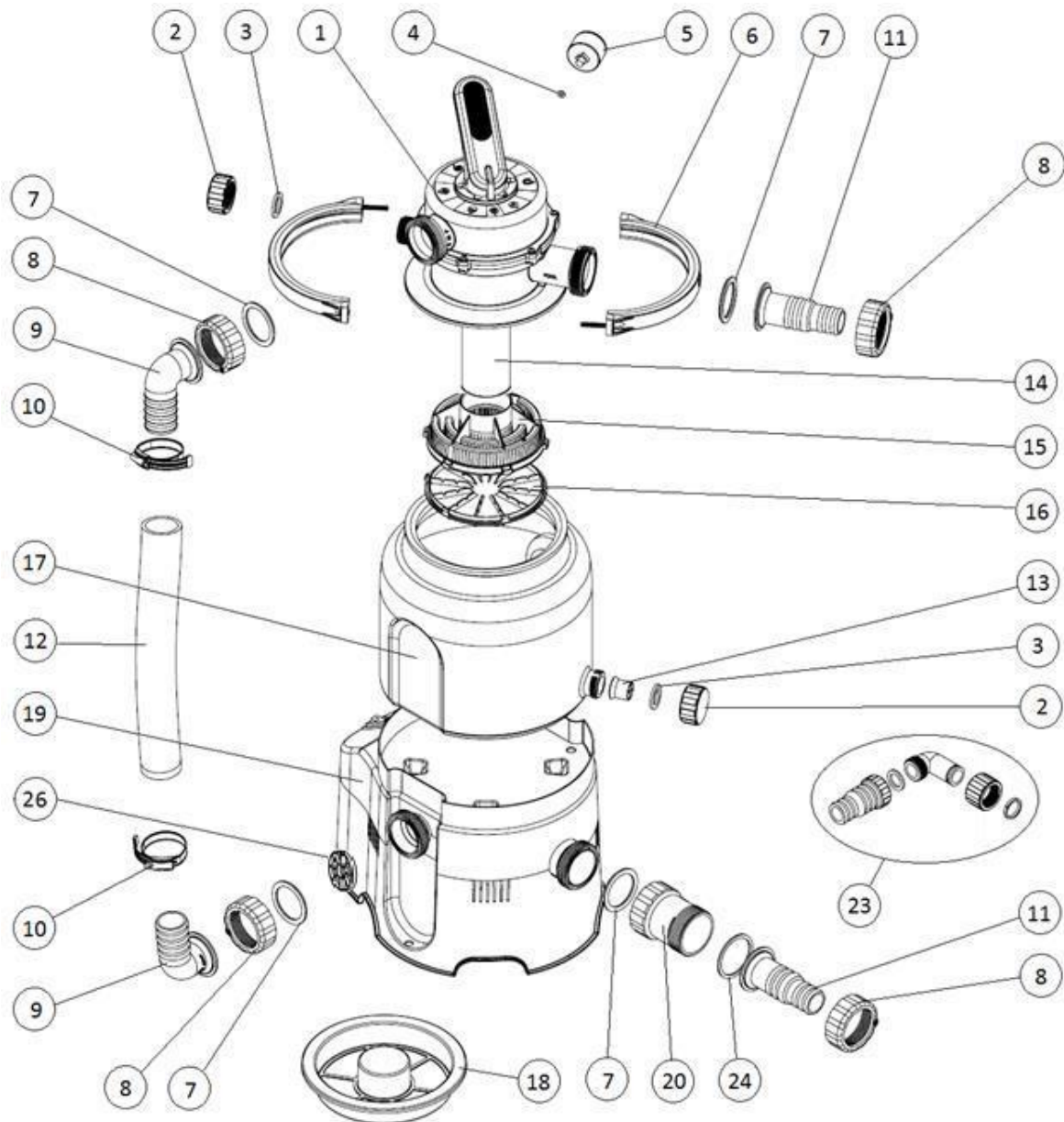


**READ AND OBSERVE ALL INSTRUCTIONS.**

**Failure to comply with the instructions in this manual can result in injuries or even death caused by electric shock.**

- This appliance may be used by children 8 years of age and older and by persons with reduced physical, sensory or mental abilities or lack of experience and knowledge if they have been supervised or instructed in the safe use of the appliance and understand the resulting hazards. Children may not play with the appliance. Cleaning and user maintenance shall not be made by children without supervision.
- Make sure the appliance's power supply complies with the related ČSN standards, is at least 3.5 m from the pool and protected by a residual current device with tripping current of no more than 30 mA.
- The device is to be connected directly to the electrical socket. When using an extension, only use an extension that complies with ČSN standards for exterior applications.
- Do not attempt to disconnect the power supply plug from the socket with wet hands or when standing in water.
- Place the device so that children won't be able to use it as a tool to get into the pool.
- Keep children at a safe distance from the device and the power cord. Make sure children won't play with the appliance
- Do not dig the power cord of the appliance into the ground (to prevent its damage). Place it so that it cannot be damaged by lawnmowers, hedge trimmers or similar tools.
- Leave the power cords accessible only to the maintenance personnel (in case the power supply needs to be disconnected).
- Prior to persons people the pool, the appliance needs to be disconnected from the mains. The appliance may not be used if there are people in the pool
- Never operate the appliance without any water.
- Never operate the appliance if it's damaged or defective. Any defects are to be rectified immediately. Use original spare parts for maintenance and repair purposes.
- Never turn the appliance on if the six-way valve is in the CLOSED position or if the pipeline circuit is impassable; otherwise, there is a risk of damage, breaking, rupture or avulsion of its lid, which can result in bodily harm or property damage.
- Regularly check the filter sedimentation status, an clean the pre-filter and the skimmer basket in order to prevent pump damage and ensure proper system functioning.

## Component list – AZURO 2m<sup>3</sup>/h

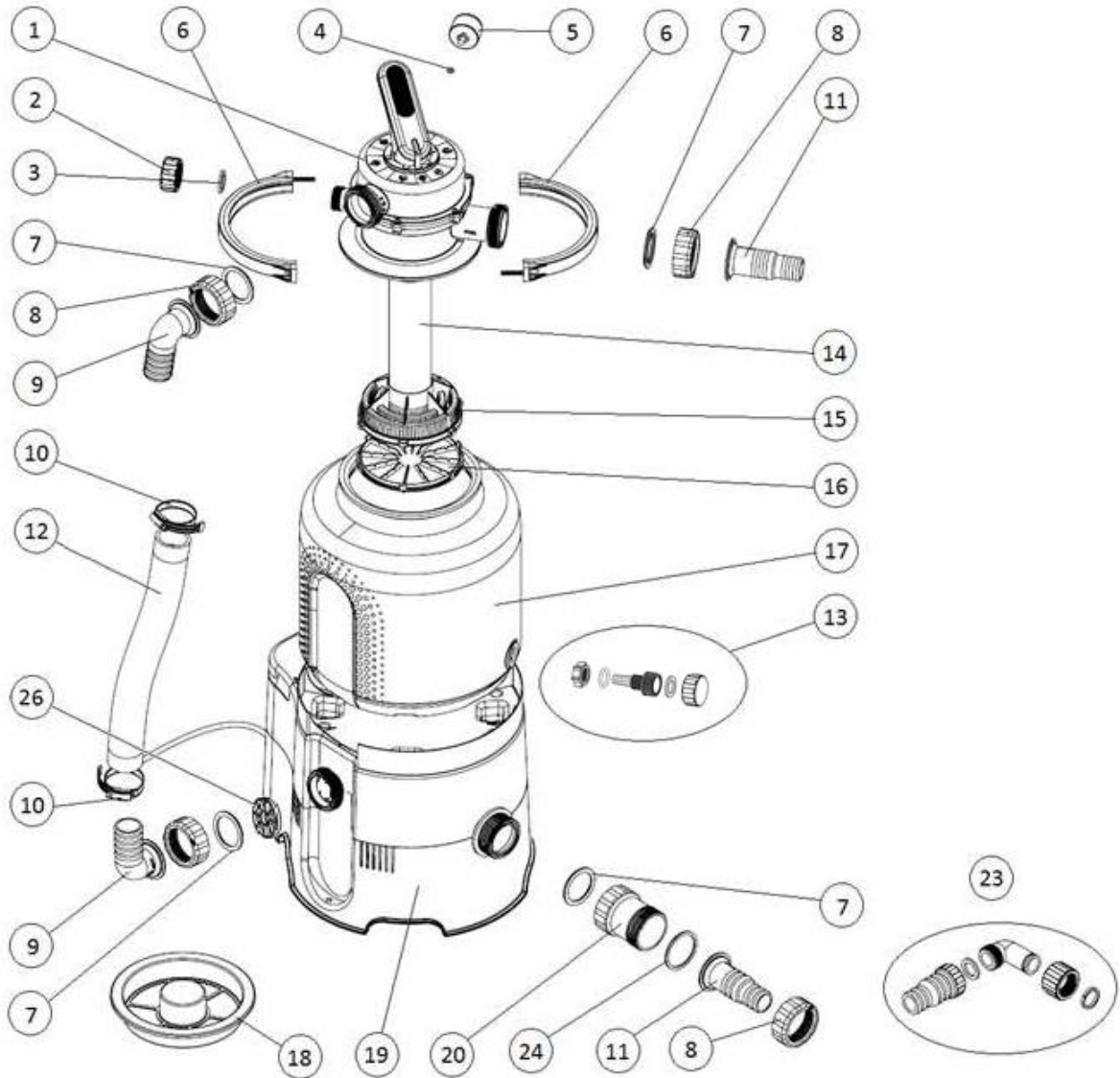


Item	Name	Quantity
1	Multiport valve	1
2	Plug	2
3	Flat lid gasket	2
4	Flat pressure gauge gasket	1
5	Pressure gauge	1
6	Valve sleeve 1/2, incl. connection materials	2
7	Shaped arbour and elbow gaskets	4
8	Shaped arbour and elbow nuts	4
9	Elbow D38	2
10	Hose clamp 40-60	2
11	Arbour D32/38	2
12	Interconnecting hoses	1
13	Drainage strainer	1

Item	Name	Quantity
14	Suction pipe	1
15	Suction basket	1
16	Suction basket bottom	1
17	Vessel	1
18	Hopper	1
19	Base with pump	1
20	Pre-filter	1
21	Pool hose – 3 parts	2
22	Hose clamp 25-40	4
23	Waste set	1
24	Flat prefilter gasket	1
25	Teflon band	1
26	Foreign body intrusion prevention grate	1

**Component list – AZURO 4m<sup>3</sup>/h**

**Component list – AZURO 4m<sup>3</sup>/h + Timer**

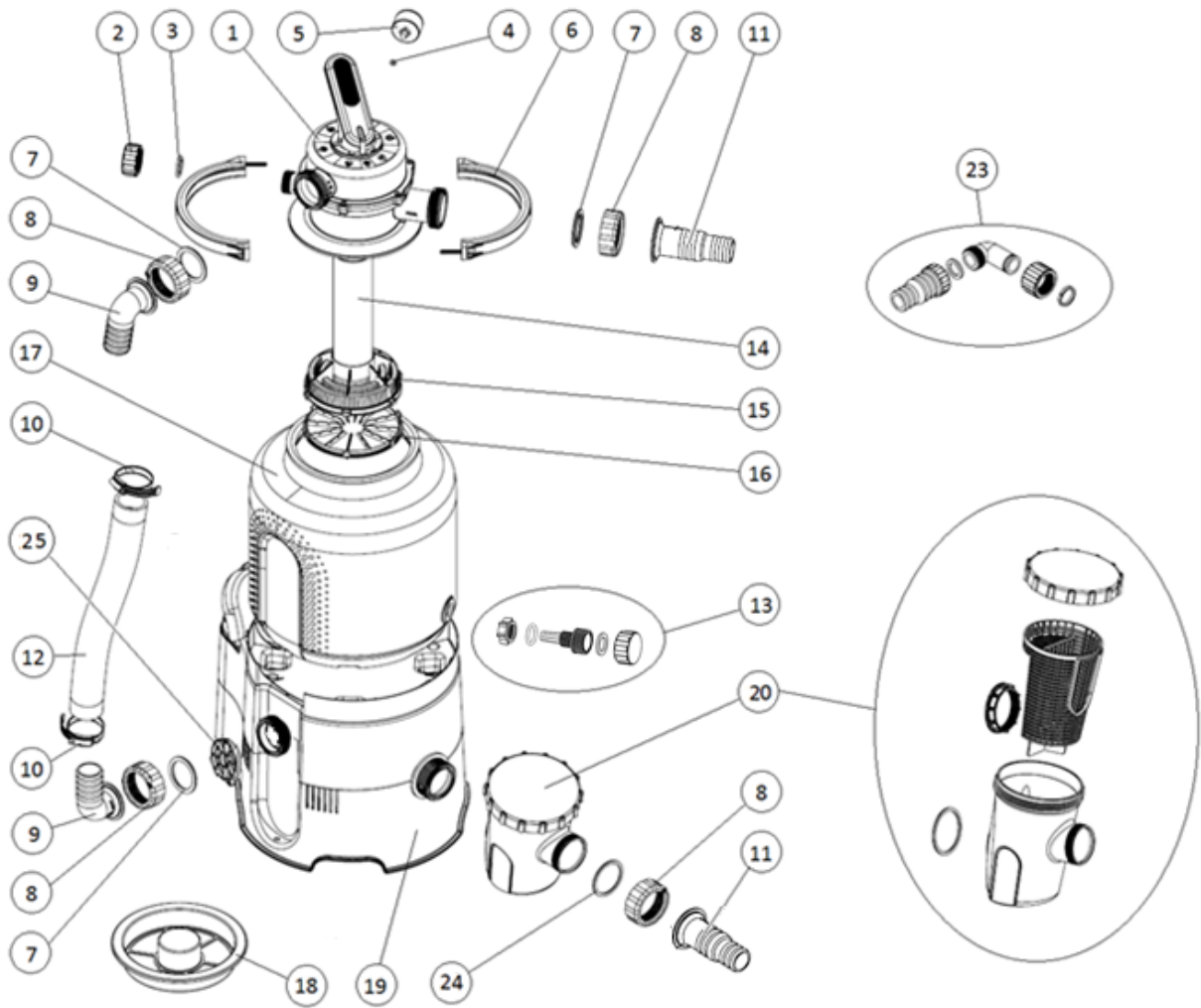


Item	Name	Quantity
1	Multiport valve	1
2	Plug	1
3	Flat lid gasket	1
4	Flat pressure gauge gasket	1
5	Pressure gauge	1
6	Valve sleeve 1/2, incl. connection materials	2
7	Shaped arbour and elbow gaskets	4
8	Shaped arbour and elbow nuts	4
9	Elbow D38	2
10	Hose clamp 40–60	2
11	Arbour D32/38	2
12	Interconnecting hoses	1
13	Drainage bolting	1

Item	Name	Quantity
14	Suction pipe	1
15	Suction basket	1
16	Suction basket bottom	1
17	Vessel	1
18	Hopper	1
19	Base with pump	1
20	Pre-filter	1
21	Pool hose – 3 parts	2
22	Hose clamp 25–40	4
23	Waste set	1
24	Flat prefilter gasket	1
25	Teflon band	1
26	Foreign body intrusion prevention grate	1



**Component list – AZURO 6m<sup>3</sup>/h + Timer**



Item	Name	Quantity
1	Multiport valve	1
2	Plug	1
3	Flat lid gasket	1
4	Flat pressure gauge gasket	1
5	Pressure gauge	1
6	Valve sleeve ½, incl. connection materials	2
7	Shaped arbour and elbow gaskets	3
8	Shaped arbour and elbow nuts	4
9	Elbow D38	2
10	Hose clamp 30-45	6
11	Arbour D32/38	2
12	Interconnecting hose	1
13	Drainage bolting	1

Item	Name	Quantity
14	Suction pipe	1
15	Suction basket	1
16	Suction basket bottom	1
17	Vessel	1
18	Hopper	1
19	Base with pump	1
20	Pre-filter	1
21	Pool hose – 3 parts	2
22	Teflon band	1
23	Waste set	1
24	Flat pre-filter gasket	1
25	Foreign body intrusion prevention grate	1

## **Purpose**

This filtering unit is intended for water filtering in seasonal above-ground pools. It is not intended for pools operated throughout the year. The filtering pump is not self-suction, which is why the filtering needs to be installed below the water level in the pool, with natural watering.

**WARNING:** The depictions in this manual are merely illustrative and can differ from the actual product. We reserve the right to alter the product partially or completely without prior notice.

### **Filtering unit usage conditions:**

- water pH of 6–8.5
- max. chlorine content of 10 mg/l
- max salt content of 0.5%

## **Prior to Commissioning**

Prior to the completion and commissioning of the appliance, unpack all of its components.

Keep the filtering equipment at a safe distance from its surroundings (allowing safe operation).

The filtering equipment needs to be positioned on a platform (such as a concrete boards etc.). The platform should be laid and levelled using a spirit level. The appliance should not be standing in grass, as it could overheat. Make sure the appliance does not get flooded. Flooding could be damage the machine or expose people to danger of electrical shock.

If the pool has already been partially or completely filled, you need to position the filtering appliance into a filtering shaft, which will be interconnected with the pool. If your filtering equipment has been placed in the shaft, make sure the shaft cannot be flooded with water. In order to prevent the flooding, it is recommended that you gravel it (so that small amounts of water are absorbed) and create a direct sewer drainage. It is important to ensure good ventilation for the shaft, otherwise the appliance may be damaged due to water condensation.

The required accessories, such as more hoses, hose clamps and filtering sand (not included in the delivery) are available from the vendor.



**Must not be dry-operated (with no water)!!! Using the filtering equipment in such way voids the warranty.**

## **Technical Data**

	<b>AZURO 2m<sup>3</sup>/h</b>	<b>AZURO 4m<sup>3</sup>/h AZURO 4m<sup>3</sup>/h + Timer</b>	<b>AZURO 6m<sup>3</sup>/h + Timer</b>
Voltage	230 V / 50 Hz	230 V / 50 Hz	230 V / 50 Hz
Power consumption	85 W	190 W	250 W
System flow-through	2 m <sup>3</sup> /h	4 m <sup>3</sup> /h	5.5 m <sup>3</sup> /h
Protection class	IP X5	IP X5	IP X5
Discharge	1.5 m	1.5 m	1.5 m
Filter diameter	143 mm	143 mm	143 mm
Effective filtering surface	0.036 m <sup>2</sup>	0.036 m <sup>2</sup>	0.036 m <sup>2</sup>
Operating pressure	0.2 bar	0.3 bar	0.5 bar
Maximum working pressure	0.4 bar	0.6 bar	1.0 bar
Maximum water temperature	35 °C	35 °C	35 °C
Sand load	10 kg	14 kg	18 kg
Granularity	0.6 - 1.2 mm	0.6 - 1.2 mm	0.6 - 1.2 mm



**Protect the environment!** Do NOT dispose of this product with household waste. The product contains electrical/electronic components. Pursuant to the European directive 2012/19/EU, electrical and electronic devices may not be disposed of as communal waste – it is necessary to turn them in for environmentally friendly disposal at dedicated collection points. Information about these points are available at your city hall.

## **Assembly**

**Note:** Since all connections have gaskets, there is no need to tighten the nuts too much. This could damage plastic parts.

**Note:** You'll need a cross-point screwdriver for the assembly.

### **1. Mounting of the drainage bolting into the vessel.**

Insert a threaded drain component with an O-ring mounted through the container drain opening (**FIG. 1.1**). Secure the part inside the tank with a sleeve nut (**FIG. 1.2**). Tighten the joint firmly to ensure a perfect seal and to prevent it from coming loose when removing the plug when using filtration. Mount the plug with a gasket onto the external thread (**FIG. 1.5**). Hand-tightening is sufficient for connection sealing. You might damage the parts if you use pliers.

**1.A** For 10L vessels with a drain socket, proceed as follows:

Screw the plug with a gasket onto the socket (**FIG. 1.5**). Hand-tightening is sufficient for connection sealing. You might damage the parts if you use pliers.

### **2. Suction basket completion**

Put a suction pipe into the suction basket (**FIG. 2.1**). Put the unit into the empty vessel (**FIG. 2.2**) and fix its position by putting the hopper on (**FIG. 2.3**). The vessel is now ready for filling with sand.

### **3. Filling with Sand**

Prior to the filling, we recommend that you put the vessel onto the pump platform. The filled vessel is difficult to handle. Fit the vessel side skirts with the skirts in the stand; the drainage bolting must point away from the switch (**FIG. 3.1**).

With the hopper put on, fill the vessel with a required amount of sand (**FIG. 3.2**). The sand level in the vessel should be reaching the top of the side skirts (**FIG. 3.3**). Afterwards, take the hopper off and remove grains of sand and other impurities from the sealing surface of the vessel socket.

### **4. Multiport Valve Installation**

Put an O-ring through the bottom of the valve and put the valve onto the socket of the filled vessel. Direct the valve so that its PUMP/ČERP socket is pointing in the same direction as the pump outlet in the vessel stand. Afterwards, put both sleeve halves onto the vessel recess, connect with bolts (**FIG. 4.3**) and tighten evenly.

Insert a small rubber gasket into the pressure gauge opening, screw the pressure gauge body (**FIG. 4.1**) on with your hand and tighten lightly.

**!!! Make sure the screwing is done properly; otherwise, you may damage the fine thread!!!**

Screw the lid with a gasket onto the WASTE/ODPAD port (**FIG. 4.2**).

### **5. Connection Hose Installation**

Put the constraining clamps onto the hose, put elbows with swivel nuts into both ends of the hose (**FIG. 5.1**). Insert the particle grate into the side outlet of the pump (**FIG. 5.2**), ; afterwards connect the prepared hose to this outlet and the PUMP/ČERP port of the valve using swivel nuts and gaskets (**FIG. 5.3**).

**!!! The hose clamps are only to be tightened once the swivel nuts have been tightened!!!**

### **6. Prefilter and Arbour Assembly**

Mount the transparent prefilter onto the suction socket of the pump and then mount the hose connection arbour onto the prefilter (**FIG. 6.1**).

**!!! Pay attention to the shape of the used gasket!!!**

#### **6.A For Azuro 6m<sup>3</sup>/h + Timer filtering equipment with a large prefilter, proceed as follows:**

Pull the prefilter body along with a gasket over the pump socket and fix using a swivel nut inside the prefilter; put the impurity basket into the prefilter and close with a lid with the O-ring. Use a swivel nut to mount the elbow with a gasket onto the socket (**FIG. 6.2**).

**!!! Pay attention to the shape of the used gasket!!!**

Screw the second connecting hose arbour onto the POOL/BAZÉN port of the valve (**FIG. 6.3**) / elbow (**FIG. 6.4**).

## 7. Connecting the appliance to the pool – see FIG. 7.1. and 7.2.

Use suitable pool hoses and hose clamps to connect the appliance to the pool.

## Product operation

### 1. Pump Watering/venting

Remove the lid off the “ODPAD/WASTE” port (FIG. 8.1), turn the lever of the valve to the VENTING position and wait until water starts pouring out of the port (FIG. 8.2). Afterwards, switch the valve lever to the CLOSED position and screw the lid back on. Finally, switch the lever to the FILTERING position. You can now run the filtering.

Prior to the first use or after a sand filling replacement, you first need to rinse the sand.

### 2. Start-up

Use the switch at the rear of the filtering equipment to activate the device.

ON – FIG. 9.1

OFF – FIG. 9.2



**Prior to plugging the appliance into the mains, check the valve position!**

**Never turn the appliance on if the six-way valve is in the CLOSED position or if the circulation pipeline is impassable.**

### 2.A Azuro equipment with the “T” marking features an adjustable timer (FIG. 9.3):

Use the moving switch to select the required functionality. The timer can be set by 20-minute steps in a 24-hour cycle. One step corresponds to 20 minutes, which makes 3 steps equal to 1 hour. The LED indicator indicates the device is running.

### 3. Operation

Set the valve to the FILTERING position and turn the appliance on. Regularly check the filtering flow-through (pressure on the pressure gauge) and rinse the sand based on the measured values.

It is advisable to set a filtering schedule corresponding to the size and usage of the pool. Proper filtering is contingent upon having the water filtered at least once a day. Therefore, the minimum operation time of the filtering equipment is the volume of the pool divided by the flow-through of the filtering equipment.

*Example: When using AZURO 2m<sup>3</sup>/hr to filter a 10m<sup>3</sup> pool, the minimum time would be 5 hours.*

### 4. Prefilter Cleaning

If the prefilter is visibly dirty or the functionality of the filtering equipment is diminished, clean the prefilter with a stream of water (FIG. 10.1). AZURO 6m<sup>3</sup>/h + Timer (FIG. 10.2).

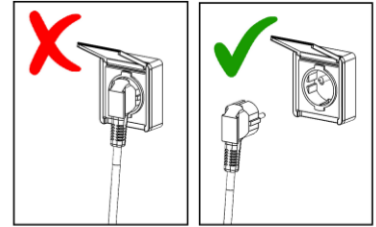
### 5. Backwash Sand

It is possible to tell by the vessel pressure when it's necessary to rinse the filtering medium. After the first running with clean filtering sand, make note of the pressure value; if the pressure later rises by more than one unit on the scale, you need to BACKWASH (2–3 minutes) + RINSE (about 30 seconds) – see “Valve Positions”. If filtering is performed every day, it is recommended to rinse the sand at least once per week.

For the filtering functions such as BACKWASH, RINSE and WASTE, you can use the waste set – screw the arbour (or an elbow with the waste hose arbour) directly onto the “ODPAD/WASTE” port instead of a cap.

**WHEN DRAINING WATER FROM THE “ODPAD/WASTE” PORT, MAKE SURE YOU COMPLY WITH ALL LEGAL REQUIREMENTS FOR WASTE WATER HANDLING. DO NOT LET THE WATER INTO PLACES WHERE IT COULD CAUSE DAMAGE BY FLOODING. THE “ODPAD/WASTE” PORT CAN BE FITTED WITH WASTE HOSE CONNECTION THREADING. WHEN FILTERING, THE “ODPAD/WASTE” PORT SHOULD BE CLOSED BY A CAP.**

## Controlling the Multi-port Valve



**Always disconnect the appliance from the power supply prior to valve position changes.**

Prior to the handling, wait for about half a minute after the pump has been turned off to let the impurities and sand set down.

Push the lever downwards (**FIG. 12.1**), turn it to the required position (**FIG. 12.2**).

## Care

Visible impurities are removed using the filtering system. However, that is not the case for algae, bacteria and micro-organisms, which are a constant obstacle when striving for clean, safe water in your pool. There are many specialized preventive products, which in correct concentrations work against all of the above and keep the water in your pool hygienically sound and clean.

## Maintenance

During the swimming season, regularly check the operation of the appliance. It is important for identification and remedy of potential defects. The supplier cannot be held liable for damage caused by filtering unit or electrical equipment defects.

Rinse the sand on regular basis. If the rinsing does not improve the permeability of the filtering sand (i.e. the pressure gauge value remains high), change the sand.

Do not use solvents to clean the filter cap or the vessel itself, as you could damage its surface (it could lose its gloss, transparency etc.).

## Winterizing

At the end of the season, it is necessary to clean, drain, disassemble and store the filtering equipment. Disconnect the filtering equipment from the pool and use the draining valve, which is located at the bottom of the filtering vessel, to drain the water from the vessel.

Open the filter vessel and take the sand out. Clean the sand and remove any lumps or gobs. Change the sand in the vessel on regular basis.

As preparation for winter, re-assemble the filtering equipment and store it in a winter-resistant and dry room.

Turn the valve lever to the VENTING/WINTERIZING position, which is used to winterize the filtering equipment.

## Warranty Terms and Servicing

Warranty conditions apply as described in the seller's warranty certificate.

In case you need an advice, service support or a spare part, contact your dealer. Use original spare parts for maintenance and repair purposes.

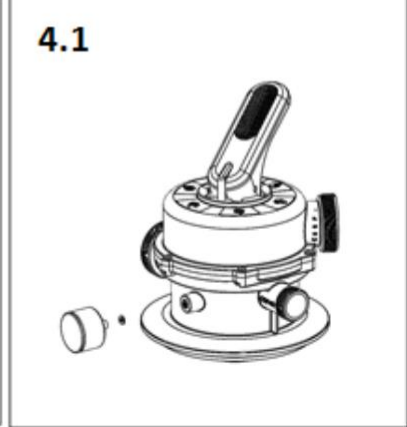
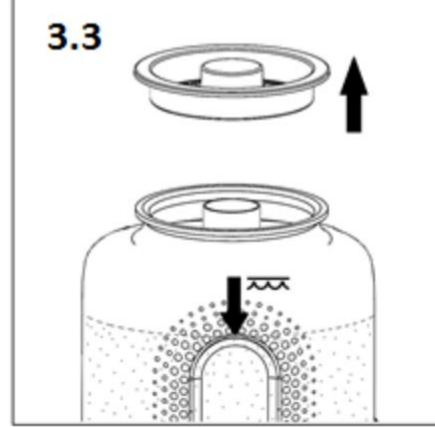
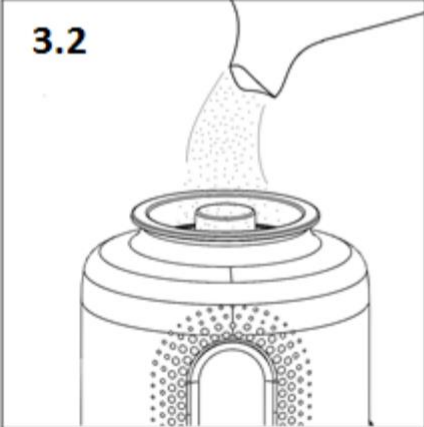
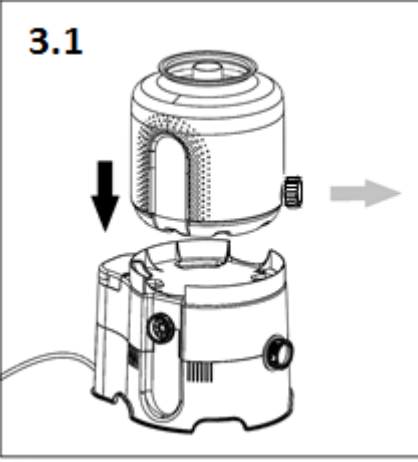
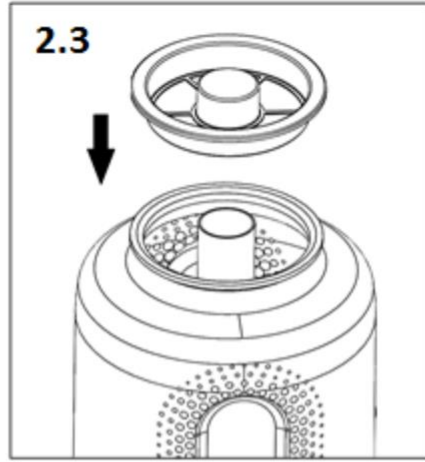
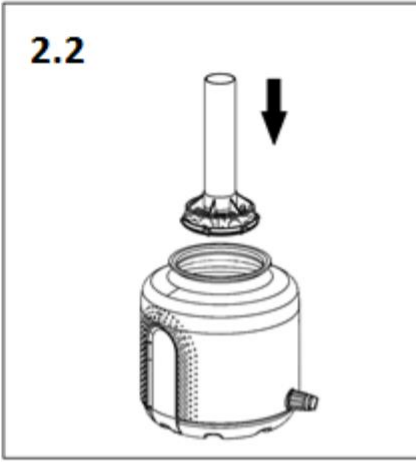
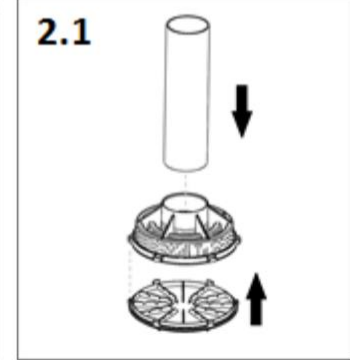
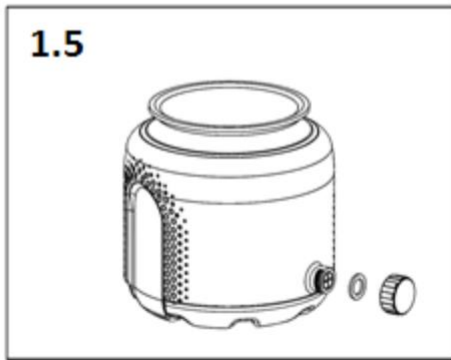
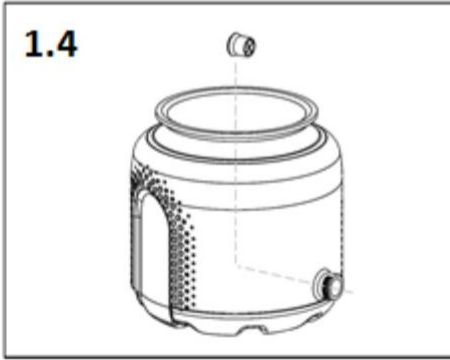
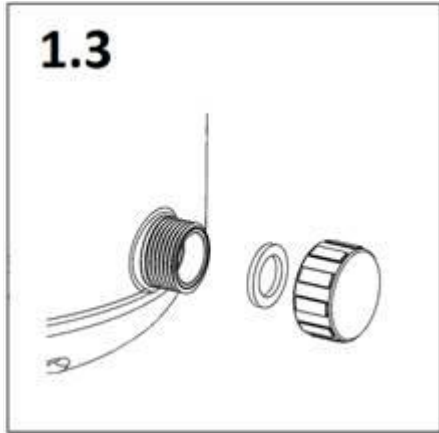
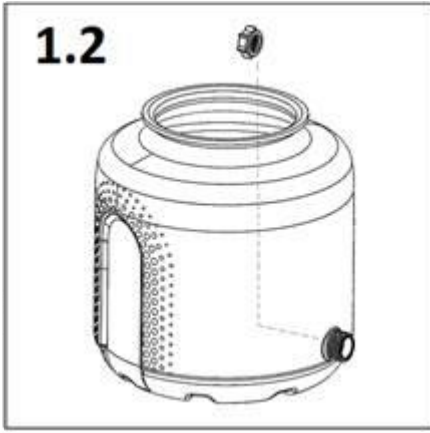
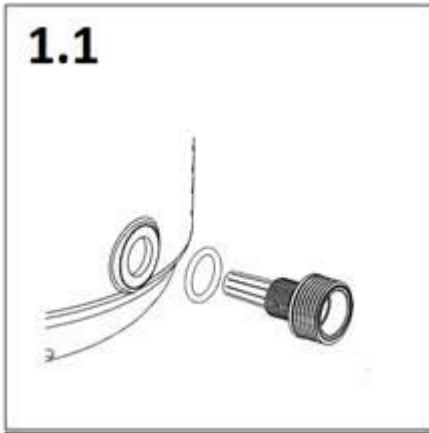
## Product Tests

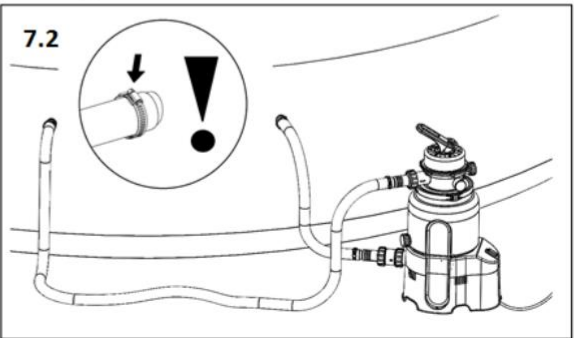
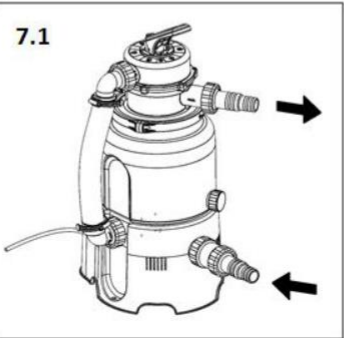
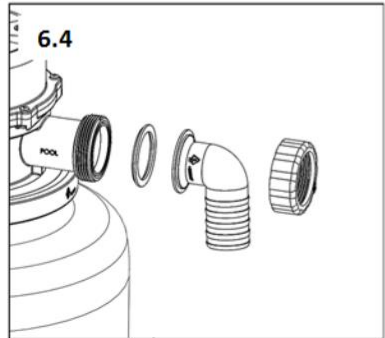
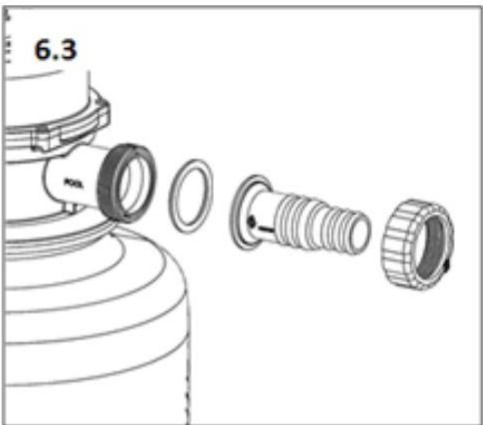
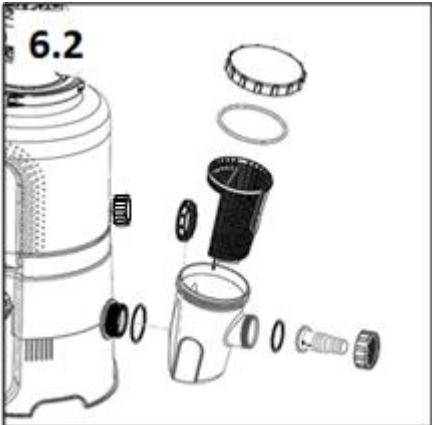
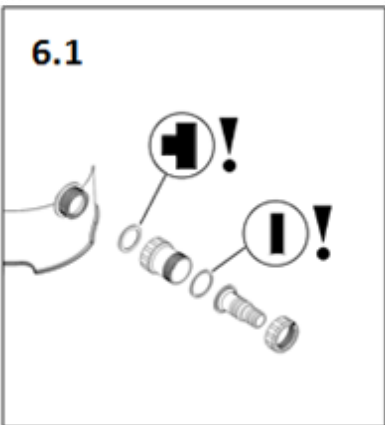
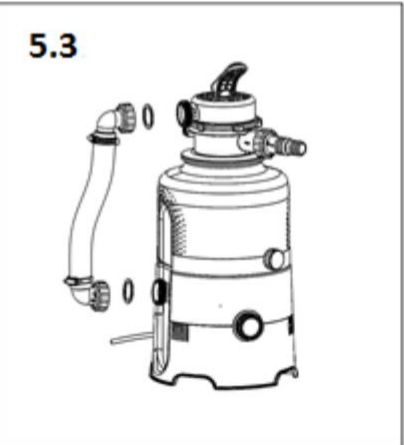
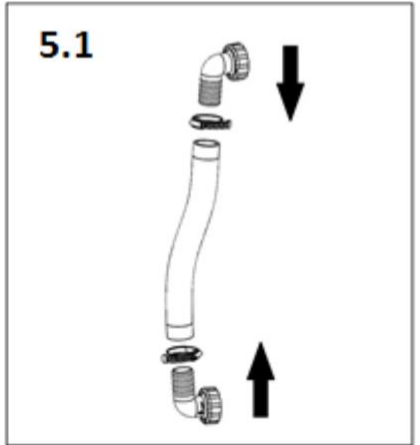
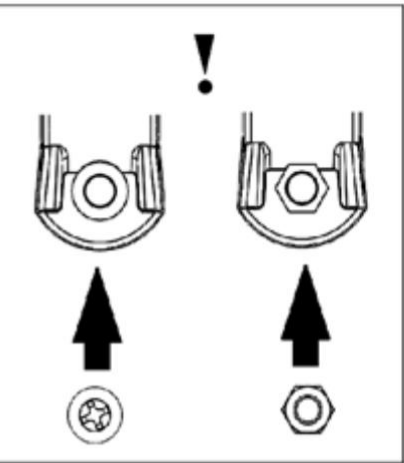
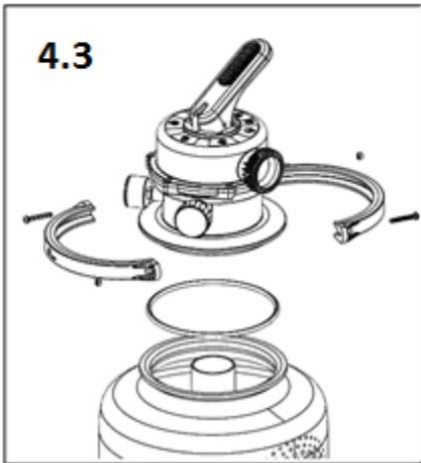
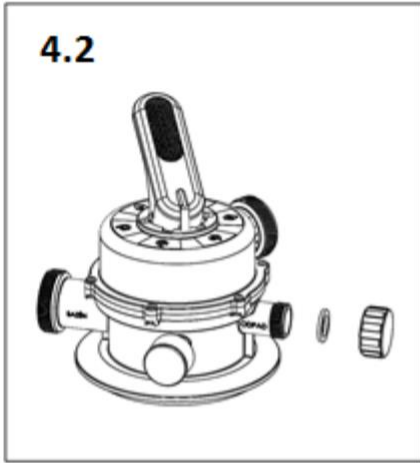
The product is a subject to EN 60335-2-41 and in conformity with the directives 2006/42/ES (the machinery directive), 2014/30/EU (electromagnetic compatibility), 2014/35/EU (electrical devices) and the requirements of the RoHS directive on hazardous substance content in electrical devices. The product has been tested in the Government Testing

Laboratory of Machines

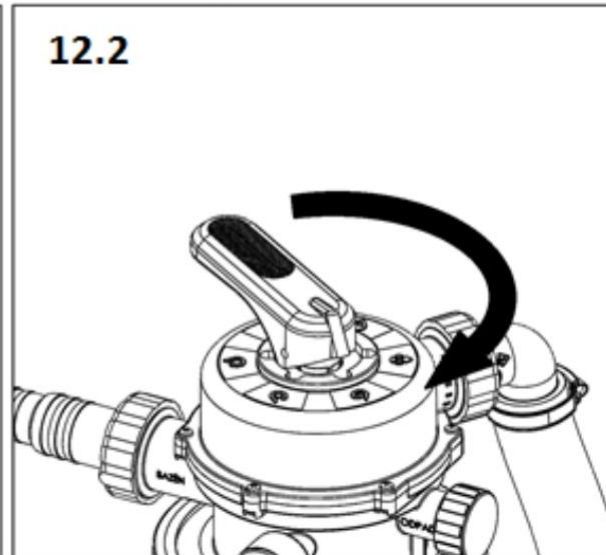
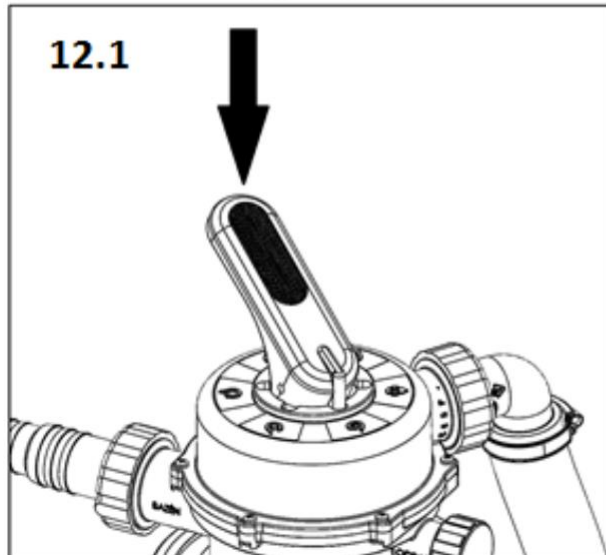
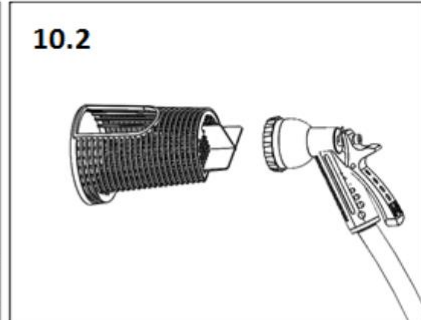
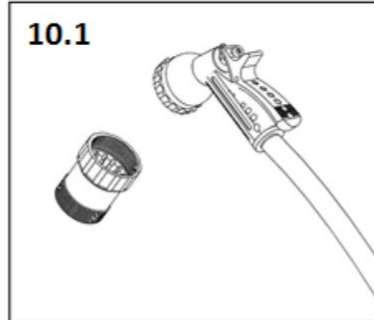
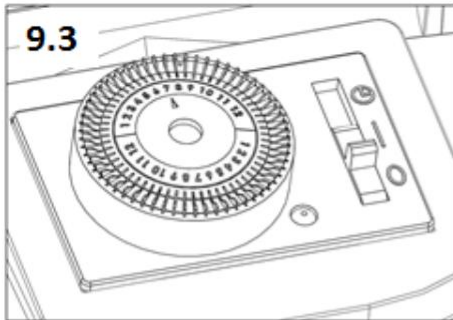
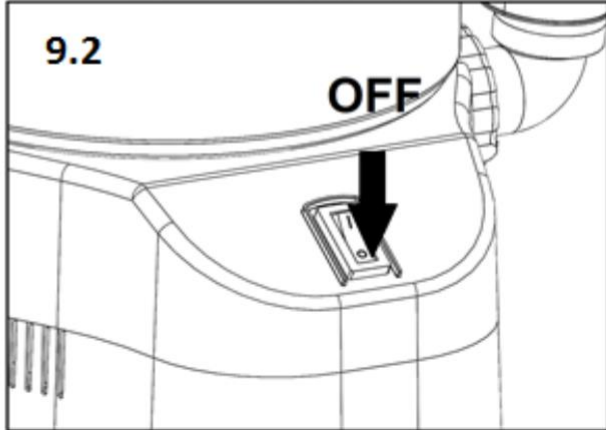
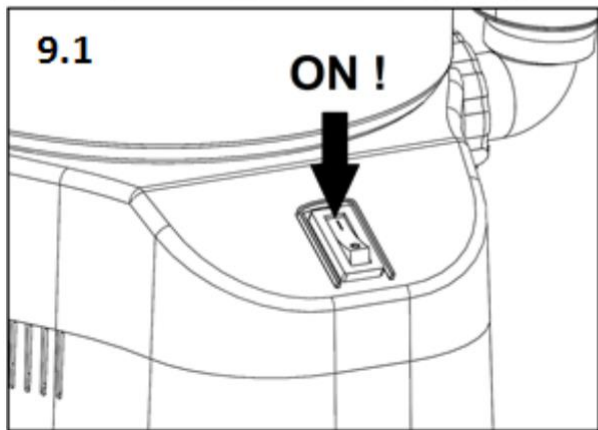
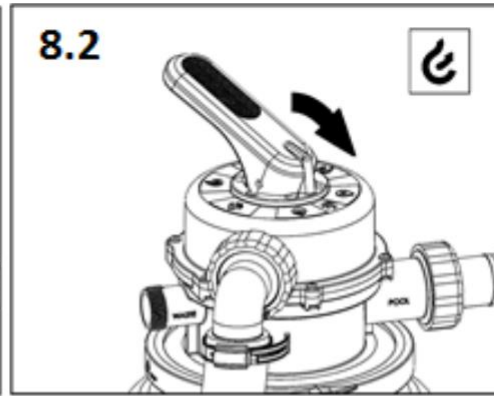
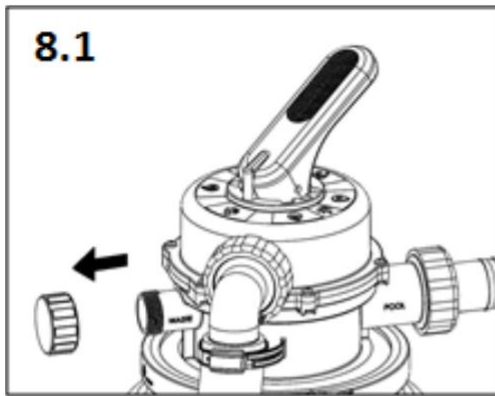
## Troubleshooting

Low or no flow-through	The filtering equipment has not been vented.	Vent the filtering equipment.
	Valve lever in the CLOSED position	Switch to the FILTERING position.
	Sand is too dirty.	RINSE or change the sand.
	Clogged prefilter	Demount and rinse the prefilter.
	Clogged skimmer	Demount and rinse the skimmer basket.
	Damaged filtering equipment	Please contact servicing.
Sand is getting to the pool.	Handling the valve lever when filtering is underway	Turn the filtering off prior to handling the lever.
	Low granularity of the filtering sand	The recommended granularity is 0.6–1.2 mm.
	High sand level in the vessel	Reduce the sand level in the vessel
The pump sucks air in (bubbles are forming in the system)	Insufficiently tightened connections	Carefully tighten the swivel nuts.
	Leaks in the prefilter connections	Re-seal the connections.
	Damaged sealing	Check the connection sealing “upstream” of the pump.
Water leaks from the appliance	Leaking connections	Tighten/re-seal the connections.
	Damaged sealing	Check the sealing.
Water in the pool cannot be cleaned.	Insufficient chemical treatment for the water	Check the pH and chlorine content in the water.
	Insufficient filtering time	Extend the filtering time.

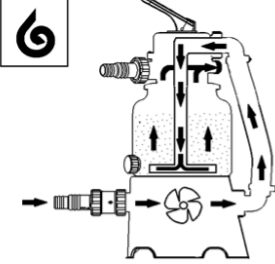
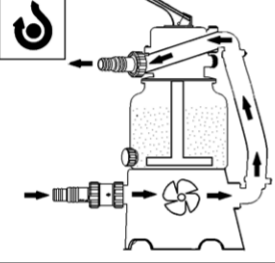
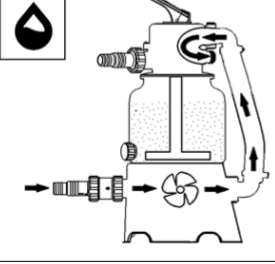
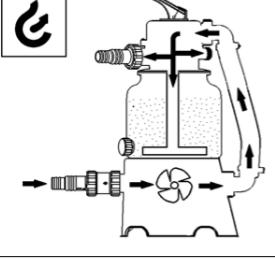
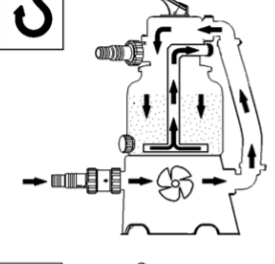
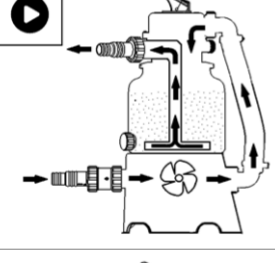
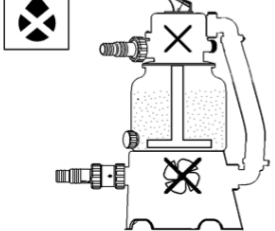








## Valve Positions

	<p><b>BACKWASH</b> – water flows through the sand in the opposite direction, washing away impurities; instead of flowing back to the pool, it is drained through the “WASTE” port – <b>remove the cap!</b></p>
	<p><b>BYPASS</b> – water flows through the appliance, bypassing the sand filling.</p>
	<p><b>WASTE</b> – water bypasses the sand filling and flows into the “WASTE” port – <b>remove the cap!</b> This position is used to reduce water level in the pool or extraction of rough impurities.</p>
	<p><b>VENTING/WINTERIZING</b> – in this position, the valve is permeable in all directions; the escaping air causes watering of the pump chamber. The position is also used for winterizing or long-term filtering equipment shutdowns.</p>
	<p><b>RINSE</b> – this position is used when running for the first time with a new sand filling or after BACKWASHING; the stirred sand sets down and remaining impurities are flushed through the “WASTE” port – <b>remove the cap!</b></p>
	<p><b>FILTERING</b> – primary position of the valve, the water is filtered through the sand filling and returned to the pool.</p>
	<p><b>CLOSED</b> – do not turn the appliance on!</p>

# SANDFILTER

Azuro 2m<sup>3</sup>/h

Azuro 4m<sup>3</sup>/h

Azuro 4m<sup>3</sup>/h + Timer

Azuro 6m<sup>3</sup>/h + Timer

**Für Aufstellpool**

**DE**

Installations-, Einbau- und Bedienungsanleitung  
(Originalbetriebsanleitung)



**VOR INSTALLATION UND GEBRAUCH DIESES PRODUKTES BITTE ALLE IN  
DIESER BETRIEBSANLEITUNG ANGEFÜHRTEN ANWEISUNGEN  
DURCHLESEN, VERSTEHEN UND BEACHTEN. BEWAHREN SIE DIESE  
ANLEITUNG FÜR EVENTUELLEN KÜNFTIGEN BEDARF AUF.**

*Version 4 / Juni 2021*

## Allgemeines

Für Mountfield a.s. von Garsys s.r.o., Gewerbegebiet am Bergwerk František, Straße K Prádlu, 735 Horní Suchá, 735 35; Herkunftsland: Tschechische Republik hergestellt.

## Sicherheitshinweise



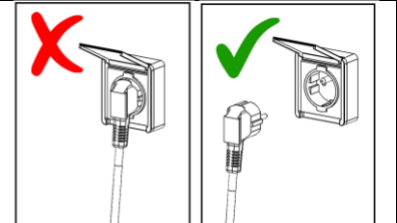
In dieser Anleitung sind mit diesem Symbol Anweisungen gekennzeichnet, bei deren Nichtbeachtung Personenschäden entstehen können.



In dieser Anleitung sind mit diesem Symbol Anweisungen gekennzeichnet, bei deren Nichtbeachtung Stromschlaggefahr besteht.



**WENN DIE ANLAGE BEDIENT WIRD ODER WENN PERSONEN IM SCHWIMMBECKEN BADEN, IST DIE ANLAGE VOM NETZ ZU TRENNEN**



### FOLGENDE HINWEISE DURCHLESEN UND BEACHTEN

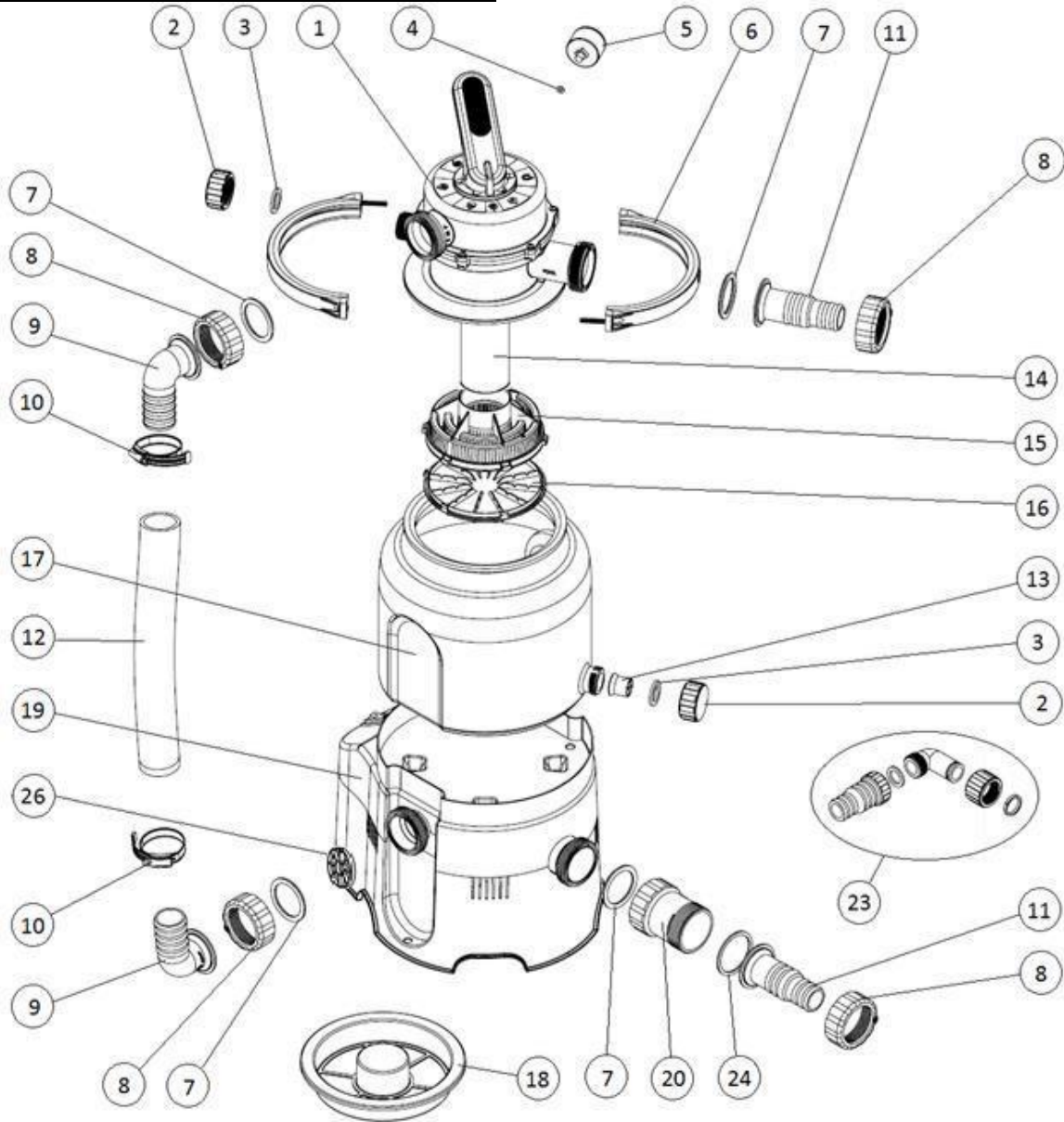
**Die Nichteinhaltung der in dieser Anleitung angeführten Hinweise kann eine Verletzung oder sogar den Tod durch Stromschlag zur Folge haben!**

- Die Anlage können Kinder ab 8 Jahren und Personen mit eingeschränkten körperlichen, sinnlichen oder geistigen Fähigkeiten oder mit unzureichenden Kenntnissen und Erfahrungen nur dann benutzen, wenn sie von einer eingewiesenen erwachsenen Person beaufsichtigt werden oder wenn sie in die sichere Verwendung der Anlage unterwiesen wurden und die etwaigen Gefahren verstehen. Kinder dürfen mit der Anlage nicht spielen. Reinigung und Wartung dürfen nicht von unbeaufsichtigten Kindern durchgeführt werden.
- Die Anlage nur an eine Stromversorgungsleitung, die den einschlägigen ČSN-Normen entspricht, und in eine Steckdose einstecken, die sich in einer Entfernung von min. 3,5 m von dem Schwimmbaden befindet, und zwar über einen Stromschutzschalter mit einem Bemessungsausschaltstrom von höchstens 30 mA.
- Die Anlage direkt in die Steckdose einstecken. Beim Einsatz eines Verlängerungskabels nur ein Kabel verwenden, das der ČSN-Norm für den Gebrauch im Freien entspricht.
- Versuchen Sie nicht, den Stecker des Netzkabels in die Steckdose zu stecken oder ihn aus der Steckdose zu ziehen, wenn Sie nasse Hände haben oder im Wasser stehen.
- Positionieren Sie das Gerät so, dass es Kindern nicht als Hilfsmittel zum Betreten des Pools dienen kann.
- Kinder vom Gerät und vom Netzkabel fernhalten. Dafür sorgen, dass keine Kinder mit dem Gerät spielen.
- Das Netzkabel nicht im Boden verlegen, sonst kann dieses beschädigt werden. Es ist so zu positionieren, dass es nicht durch Grasmäher, Heckenscheren oder Ähnliches beschädigt werden kann.
- Die Gabel der Zuleitung für die Bedienung zugänglich lassen, damit das Gerät von der Stromversorgung sofort getrennt werden kann.
- Bevor Personen ins Schwimmbad gehen, ist das Gerät vom Stromnetz zu trennen. Das Gerät darf nicht verwendet werden, wenn sich im Schwimmbad Menschen befinden.
- Das Gerät niemals ohne Wasser betreiben.
- Das Gerät nie betreiben, falls dieses beschädigt oder unvollständig ist. Eventuell auftretende Mängel sind unverzüglich zu beheben. Bei der Wartung und bei Instandsetzungen verwenden Sie Original-Ersatzteile.
- Das Gerät nie einschalten, wenn sich das 6-Wege-Ventil in der Stellung „GESCHLOSSEN“ befindet oder wenn die Rohrleitung im Umlaufsystem verstopft ist; das 6-Wege-Ventil kann beschädigt

werden, bersten oder das Ventildeckel kann abgerissen werden, was zu Personen- oder Sachschäden führen kann.

- Die Filterverstopfung regelmäßig prüfen und den Pumpen-Vorfilter sowie Skimmerkorb reinigen, um Beschädigungen der Anlage zu vermeiden und eine ordentliche Funktion des Systems sicherzustellen.

# Komponentenverzeichnis – AZURO 2m<sup>3</sup>/h

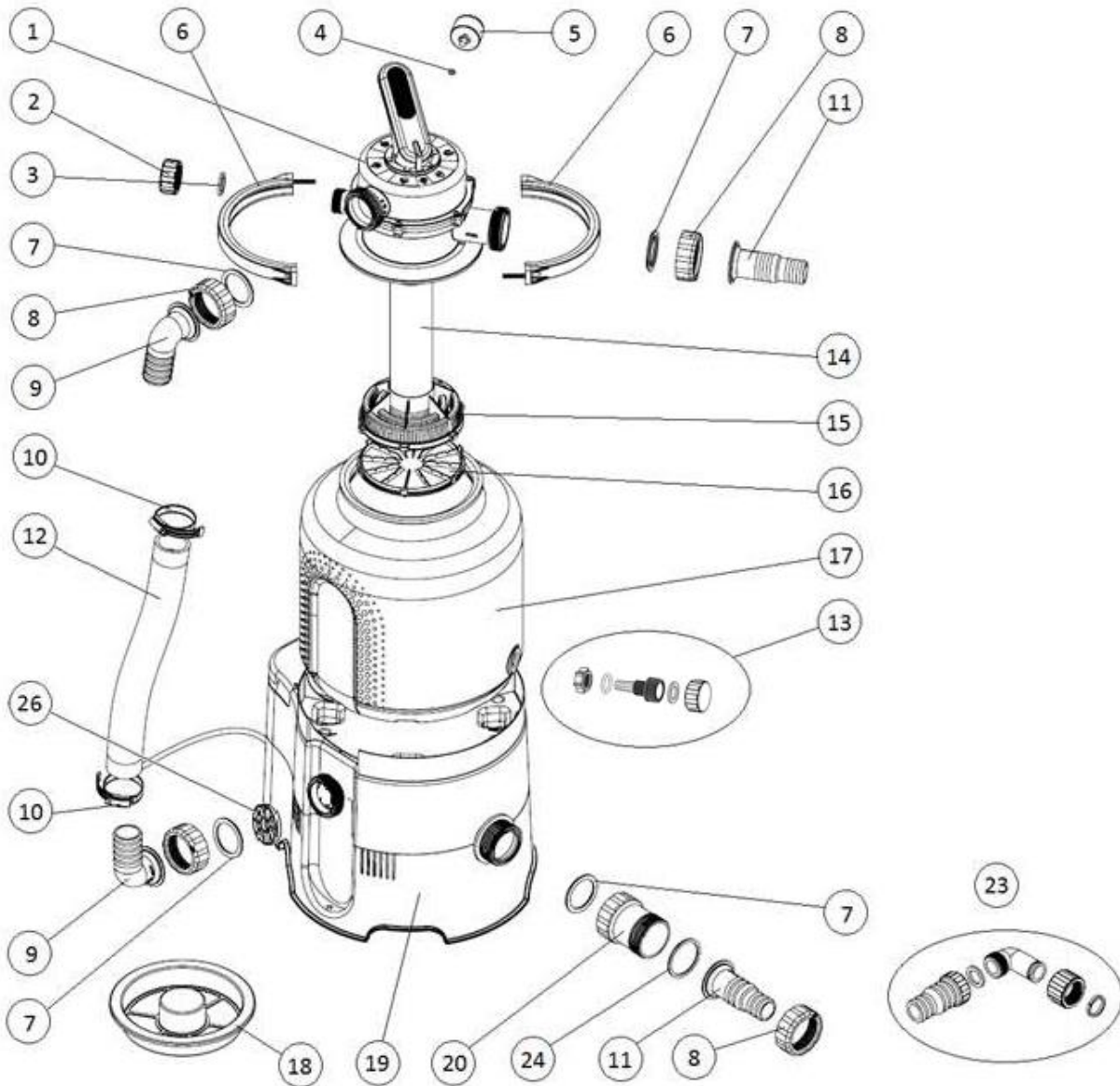


Position	Bezeichnung	Menge
1	Mehrwegeventil	1
2	Stöpsel	2
3	Flache Stopfen-Dichtung	2
4	Flache Manometer-Dichtung	1
5	Manometer	1
6	Ventilfassung 1/2 einschl. Verbindungsmaterial	2
7	Formdichtung – Dorne und Winkelstücke	4
8	Überwurfmutter – Dorne und Winkelstücke	4
9	Winkelstück D38	2
10	Schlauchselle 40-60	2
11	Dorn D32/38	2
12	Verbindungsschlauch	1
13	Ablasssieb	1

Position	Bezeichnung	Menge
14	Saugrohr	1
15	Saugkorb	1
16	Saugkorbboden	1
17	Behälter	1
18	Schütte	1
19	Sockel mit Pumpe	1
20	Vorfilter	1
21	Beckenschlauch 3tlg.	2
22	Schlauchselle 25-40	4
23	Ablauf-Set	1
24	Flache Vorfilter-Dichtung	1
25	Teflonband	1
26	Gitter gegen Eindringen von Fremdkörpern	1

**Komponentenverzeichnis – AZURO 4m<sup>3</sup>/h**

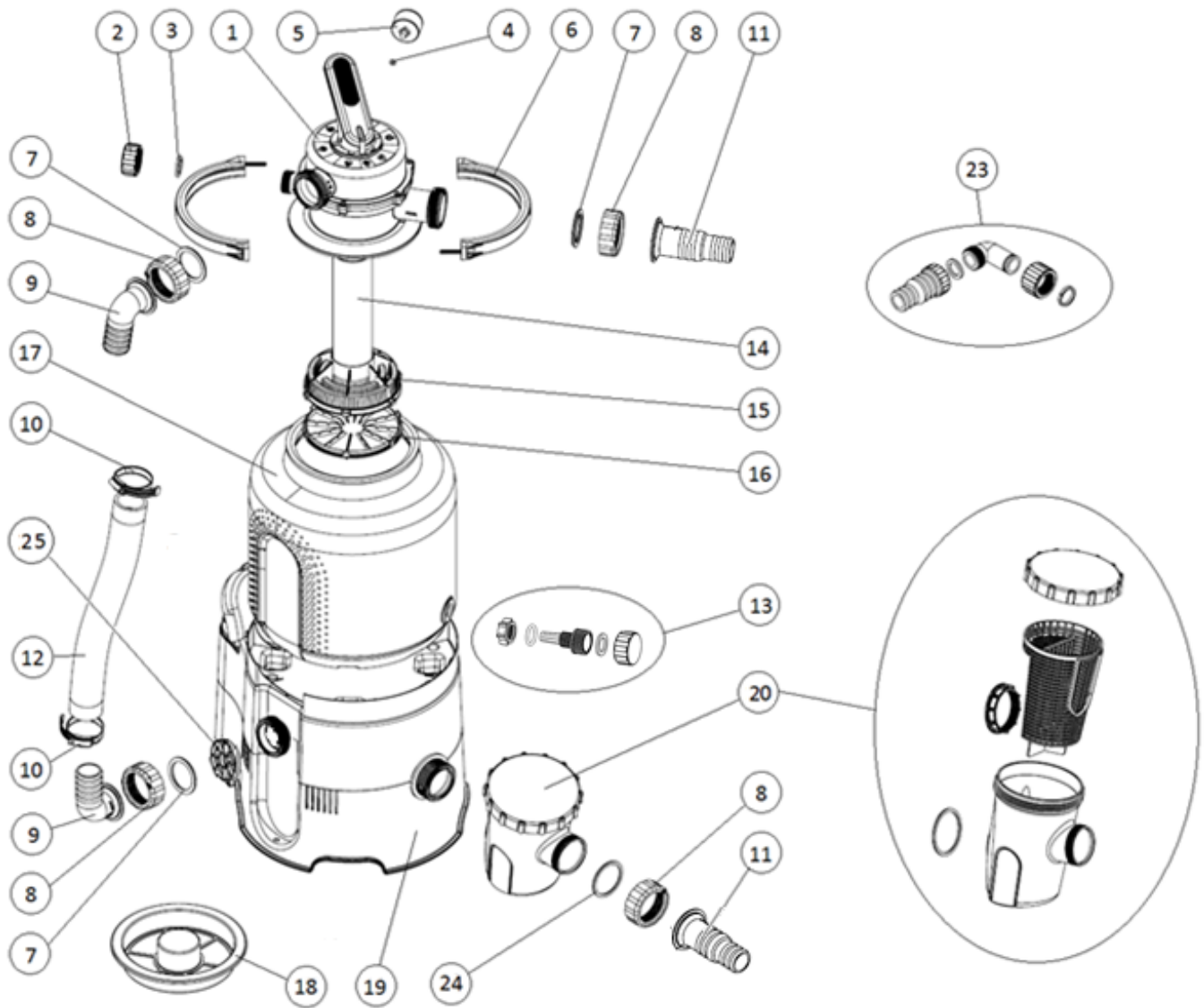
**Komponentenverzeichnis – AZURO 4m<sup>3</sup>/h + Timer**



Position	Bezeichnung	Menge
1	Mehrwegeventil	1
2	Stöpsel	1
3	Flache Stopfen-Dichtung	1
4	Flache Manometer-Dichtung	1
5	Manometer	1
6	Ventilfassung 1/2 einschl. Verbindungsmaterial	2
7	Formdichtung – Dorne und Winkelstücke	4
8	Überwurfmutter – Dorne und Winkelstücke	4
9	Winkelstück D38	2
10	Schlauchselle 40-60	2
11	Dorn D32/38	2
12	Verbindungsschlauch	1
13	Ablassverschraubung	1

Position	Bezeichnung	Menge
14	Saugrohr	1
15	Saugkorb	1
16	Saugkorbboden	1
17	Behälter	1
18	Schütte	1
19	Sockel mit Pumpe	1
20	Vorfilter	1
21	Beckenschlauch 3tlg.	2
22	Schlauchselle 25-40	4
23	Ablauf-Set	1
24	Flache Vorfilter-Dichtung	1
25	Teflonband	1
26	Gitter gegen Eindringen von Fremdkörpern	1

## Komponentenverzeichnis – AZURO 6m<sup>3</sup>/h + Timer



Position	Bezeichnung	Menge
1	Mehrwegeventil	1
2	Stöpsel	1
3	Flache Stopfen-Dichtung	1
4	Flache Manometer-Dichtung	1
5	Manometer	1
6	Ventilfassung 1/2 einschl. Verbindungsmaterial	2
7	Formdichtung – Dorne und Winkelstücke	3
8	Überwurfmutter – Dorne und Winkelstücke	4
9	Winkelstück D38	2
10	Schlauchselle 30-45	6
11	Arbour D32/38	2
12	Verbindungsschlauch	1

Position	Bezeichnung	Menge
13	Ablassverschraubung	1
14	Saugrohr	1
15	Saugkorb	1
16	Saugkorbboden	1
17	Behälter	1
18	Schütte	1
19	Sockel mit Pumpe	1
20	Vorfilter	1
21	Beckenschlauch 3tlg.	2
22	Teflonband	1
23	Ablauf-Set	1
24	Flache Vorfilter-Dichtung	1
25	Gitter gegen Eindringen von Fremdkörpern	1



## **Bestimmung**

Dieses Filtergerät dient zur Wasserfiltration im saisonalen Aufstellpool. Es ist nicht für Pools bestimmt, die das ganze Jahr hindurch verwendet werden. Die Pumpe der Filteranlage ist nicht selbstansaugend, daher ist das Filtersystem unterhalb des Wasserspiegels im Becken zu installieren, mit natürlichem Überlauf.

**HINWEIS:** Die Abbildungen in diesem Handbuch dienen nur zur Veranschaulichung und können vom tatsächlichen Produkt abweichen. Wir behalten uns das Recht vor, das Produkt ohne vorherige Ankündigung ganz oder teilweise zu ändern.

### **Bedingungen für die Verwendung der Filtereinheit:**

- pH-Wert von Wasser 6 - 8,5
- freier Chlorgehalt max. 10 mg/l
- gelöster Salzgehalt max. 0,5%

## **Vor Inbetriebnahme**

Vor Zusammenbau und Inbetriebnahme des Geräts sämtliche Komponenten auspacken.

Auf einen sicheren Abstand zwischen der Filteranlage und Umgebung achten, damit das Gerät bedient werden kann.

Die Filteranlage ist auf einem Untergrund aufzustellen (z.B. eine Betonplatte usw.). Die Platte sollte mit Hilfe der Wasserwaage verlegt und ausgerichtet werden. Das Gerät darf nicht auf dem Rasen stehen, sonst besteht Überhitzungsgefahr.

Das Gerät darf nicht überflutet werden. Eine Überflutung könnte zu Geräteschäden oder Stromschlaggefahr führen.

Wenn das Becken teilweise oder vollständig eingesenkt wurde, muss das Filtergerät in einem mit dem Becken verbundenen Filterschacht angeordnet werden. Wenn Ihr Filtersystem in einen Schacht positioniert wird, stellen Sie sicher, dass der Schacht nicht mit Wasser überflutet werden kann. Um dies zu verhindern, sollte der Schacht teilweise mit Kies verfüllt werden, um kleinere Wasserleckagen aufzunehmen und direkt in die Kanalisation abzuleiten. Es ist für ausreichende Lüftung des Schachts zu sorgen, dieser kann durch Wasserkondensation beschädigt werden.

Erforderliches Zubehör wie andere Schläuche, Schlauchklemmen und Filtersand (nicht im Lieferumfang enthalten) ist beim Händler erhältlich.



**Das Filtersystem darf nicht trocken (ohne Wasser) laufen!!! Wird das Filtersystem auf diese Weise verwendet, so verfallen jegliche Gewährleistungsansprüche.**

## **Technische Daten**

	<b>AZURO 2m<sup>3</sup>/h</b>	<b>AZURO 4m<sup>3</sup>/h AZURO 4m<sup>3</sup>/h + Timer</b>	<b>AZURO 6m<sup>3</sup>/h + Timer</b>
Spannung	230 V / 50 Hz	230 V / 50 Hz	230 V / 50 Hz
Leistungsaufnahme	85 W	190 W	250 W
Systemdurchfluss	2 m <sup>3</sup> /h	4 m <sup>3</sup> /h	5,5 m <sup>3</sup> /h
Schutzart	IP X5	IP X5	IP X5
Verdrängung	1,5 m	1,5 m	1,5 m
Filterdurchmesser	143 mm	143 mm	143 mm
Wirksame Filterfläche	0,036 m <sup>2</sup>	0,036 m <sup>2</sup>	0,036 m <sup>2</sup>
Arbeitsdruck	0,2 bar	0,3 bar	0,5 bar
Maximaler Arbeitsdruck	0,4 bar	0,6 bar	1,0 bar
Maximale Wassertemperatur	35 °C	35 °C	35 °C
Sandfüllung	10 kg	14 kg	18 kg
Korngröße	0,6 – 1,2 mm	0,6 – 1,2 mm	0,6 – 1,2 mm



**Schützen Sie die Umwelt!** Dieses Gerät nicht mit Hausmüll entsorgen. Das Produkt enthält elektrische/elektronische Komponenten. Gemäß der europäischen Richtlinie 2012/19/EU dürfen elektrische und elektronische Geräte nach Ablauf ihrer Lebensdauer nicht mit dem Hausmüll entsorgt werden, sondern müssen an die dafür vorgesehenen Sammelstellen zur umweltgerechten Entsorgung abgegeben werden. Informationen zu diesen Sammelstellen erhalten Sie vom Gemeindeamt.

## Zusammenbau

**Anmerkung:** Da alle Verbindungen mit Dichtungen versehen sind, müssen die Muttern nicht so stark angezogen werden. Dies könnte zur Beschädigung von Kunststoffteilen führen.

**Anmerkung:** Zum Zusammenbau wird ein Kreuzschlitz- oder Schlitzschraubenzieher benötigt.

### 1. Einbau der Ablassverschraubung in den Behälter

Das Ablassteil mit dem Gewinde mit aufgesetztem O-Ring (**Abb. 1.1**) durch die Ablassöffnung des Behälters führen. Das Teil im Inneren des Behälters mit einer Überwurfmutter sichern (**Abb. 1.2**). Die Verbindung fest anziehen, damit diese vollständig abgedichtet ist und damit sie beim Ausbau des Verschlussstopfens während des Betriebs der Filteranlage nicht gelöst werden kann. Auf das Außengewinde ist der Stopfen mit Flachdichtung aufzuschrauben (**Abb. 1.3**). Es reicht aus, die Verbindungen mit Händen festzuziehen. Bei Verwendung einer Zange können die Teile beschädigt werden.

#### 1.A Bei dem 10-Liter-Behälter mit einem Ablassstutzen ist wie folgt vorzugehen:

Auf den Stutzen mit dem Gewinde ist der Stopfen mit einer Dichtung aufzuschrauben (**Abb. 1.5**). Es reicht aus, die Verbindungen mit Händen festzuziehen. Bei Verwendung einer Zange können die Teile beschädigt werden.

### 2. Zusammenbau des Saugkorbs

In den Saugkorb ist das Saugrohr einzusetzen (**Abb. 2.1**). Die ganze Einheit ist in einen leeren Behälter einzulegen (**Abb. 2.2**), die Position der Einheit wird durch das Aufsetzen der Schütte fixiert (**Abb. 2.3**). Nun kann der Behälter mit Sand befüllt werden.

### 3. Sand befüllen

Es wird empfohlen, den Behälter vor dem Befüllen auf den Sockel mit der Pumpe zu stellen. Ein voller Behälter ist nur schwer zu handhaben. Die Seitenaussparungen im Behälter müssen mit den Aussparungen im Sockel fluchten, die Ablassverschraubung muss weg von dem Schalter gerichtet werden (**Abb. 3.1**).

Den Behälter mit der aufgesetzten Schütte mit benötigter Menge an Sand befüllen (**Abb. 3.2**). Der Sandspiegel im Behälter sollte den ganz oberen Bereich der Seitenaussparungen (**Abb 3.3**) erreichen. Nun ist die Schütte zu entnehmen und von der Dichtfläche des Behälterstutzens sind Sandkörner, ggf. andere Verunreinigungen zu entfernen.

### 4. Montage des Mehrwegeventils

Von der Ventilunterseite eine O-Ring-Dichtung aufsetzen und auf den Stutzen eines gefüllten Behälters setzen. Das Ventil so drehen, dass sein Stutzen „PUMP / PUMP“ genauso ausgerichtet ist wie der Pumpenausstritt im Behältersockel. Anschließend auf die Bestückung des Behälters und Ventils die beiden Hälften der Fassung aufsetzen, die Schrauben (**Abb. 4.3**) verbinden und gleichmäßig anziehen.

In die Manometer-Öffnung ist eine kleine Gummidichtung einzulegen, das Manometergehäuse ist aufzuschrauben (**Abb. 4.1**) und mit der Hand leicht anzuziehen.

**!!! Achten Sie bitte auf ein korrektes Aufschrauben, das feine Gewinde kann beschädigt werden**

**!!! Auf den Stutzen WASTE / ABLAUF ist der Stopfen mit einer Dichtung aufzuschrauben (Abb. 4.2).**

### 5. Montage des Verbindungsschlauchs

Spannschellen auf den Schlauch aufschieben, in die beiden Schlauchenden Winkelstücke zusammen mit Überwurfmuttern einstecken (**Abb. 5.1**). Das Gitter gegen Eindringen von festen Partikeln (**Abb. 5.2**) in den Seitenausstritt der Pumpe einlegen, danach an diesen Austritt und an den Ventilstutzen PUMP / PUMP den vorbereiteten Schlauch mit Hilfe der Überwurfmutter und Dichtungen anschließen (**Abb. 5.3**).

**!!! Die Schlauchschellen erst anziehen, wenn die Überwurfmuttern angezogen wurden !!!**

### 6. Montage – Vorfilter und Dorne

Den transparenten Vorfilter an den Saugstutzen der Pumpe montieren, an den Vorfilter dann den Anschluss-Schlauchdorn montieren (**Abb. 6.1**).

**!!! Achten Sie auf die Form der eingesetzten Dichtung !!!**

#### 6.A Bei der Filteranlage Azuro 6m<sup>3</sup>/h + Timer mit einem großen Vorfilter ist wie folgt vorzugehen:

Das Vorfilter-Gehäuse zusammen mit der Dichtung auf den Stutzen der Pumpe aufschieben und mit einer Überwurfmutter innerhalb des Vorfilters befestigen, den Auffangkorb in den Vorfilter einlegen und mit dem

Deckel mit einem O-Ring verschließen. Das Winkelstück mit einer Dichtung mit Hilfe einer Überwurfmutter auf den Stutzen montieren (**Abb. 6.2**).

**!!! Achten Sie auf die Form der eingesetzten Dichtung !!!**

Auf den Ventilstutzen POOL / SCHWIMMBECKEN den jeweils zweiten Anschluss-Schlauchdorn (**Abb. 6.3**)/das Winkelstück (**Abb. 6.4**) aufschrauben.

## 7. Die Anlage ans Schwimmbecken anschließen – siehe **Abb. 7.1, Abb. 7.2**

Die Anlage mit geeigneten Schwimmbecken-Schläuchen und Schlauchschellen mit dem Schwimmbecken verbinden.

## Anlagenbetrieb

### 1. Wasser in die Pumpe einlassen/Pumpe entlüften

Den Stöpsel des Stutzens „ABLAUF / WASTE“ (**Abb. 8.1**) entfernen, den Ventilhebel in die Stellung ENTLÜFTUNG bringen und abwarten, bis Wasser aus dem Stutzen läuft (**Abb. 8.2**). Danach den Ventilhebel in die Stellung GESCHLOSSEN bringen und den Stöpsel wieder aufschrauben. Abschließend den Ventilhebel in die Stellung FILTRATION bringen. Nun kann die Filteranlage in Betrieb genommen werden.

Vor dem ersten Einsatz oder nach einem Austausch der Sandfüllung ist der Sand zuerst durchzuspülen.

### 2. Einschalten

Die Anlage mit einem Wippenschalter im Hinterteil der Filteranlage in Betrieb setzen. EIN – **ABB. 9.1**

AUS – **ABB. 9.2**



**Die Ventilstellung vor dem Anschluss der Anlage ans Netz prüfen!**

**Die Anlage niemals einschalten, wenn sich das 6-Wege-Ventil in der Stellung GESCHLOSSEN befindet oder wenn die Rohrleitung im Umlaufsystem verstopft ist.**

**2.A Die Azuro Filteranlagen mit der Bezeichnung „T“ sind mit einem einstellbaren Timer ausgestattet (**Abb. 9.3**):** Die gewünschte Funktion mit einem Schiebeschalter wählen. Der Timer kann in 20-Minuten-Intervallen in einem 24-Stunden-Zyklus eingestellt werden. Ein Anschlag entspricht 20 Minuten, d.h. 3 Anschläge = 1 Stunde. Die LED-Kontrollleuchte zeigt an, dass die Anlage läuft.

### 3. Verwendung

Das Ventil in die Stellung FILTRATION bringen und die Anlage einschalten. Den Durchfluss durch die Filteranlage (Druck am Manometer) regelmäßig prüfen und auf Grund der ermittelten Werte den Sand durchspülen.

Es ist ratsam, einen Zeitplan der Filtration in Bezug auf die Schwimmbeckengröße und seine Nutzung zu erstellen. Für eine korrekte Filtration ist es notwendig, dass Wasser im Schwimmbecken mindestens einmal pro Tag vollständig gefiltert wird. Die Mindestlaufzeit der Filtration ist somit der Quotient des Schwimmbeckenvolumens und Filteranlage-Durchflusses.

*Beispiel: Für ein Schwimmbecken mit einem Wasservolumen von 10 m<sup>3</sup> und die AZURO 2m<sup>3</sup>/hr Filteranlage mit einem Durchfluss von 2 m<sup>3</sup>/h beträgt der Quotient 5 Stunden.*

### 4. Vorfilterreinigung

Bei einer sichtbaren Verschmutzung, ggf. Einschränkung der Funktion der Filteranlage ist der Vorfilter mit einem Wasserstrahl zu reinigen (**Abb. 10.1**). Bei der AZURO 6m<sup>3</sup>/h + Timer Filteranlage ist der innere Filterkorb durchzuspülen (**Abb. 10.2**).

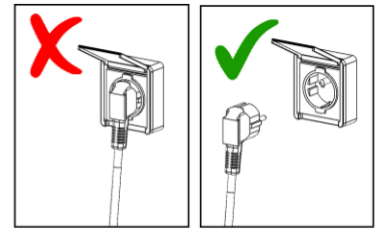
### 5. Sand rückspülen

Nach dem Druck im Behälter lässt sich erkennen, wann das Filtermedium durchzuspülen ist. Nach dem ersten Einschalten mit sauberem Filtersand ist der Druckwert zu merken; sollte sich der Druckwert um mehr als eine Einheit der Skala erhöhen, sind eine RÜCKSPÜLEN (2–3 Minuten) + NACHSPÜLEN (ca. 30 Sekunden) durchzuführen, siehe „**Einzelne Ventilstellungen**“. Beim täglichen Filtern wird es empfohlen, den Sand wenigstens einmal pro Woche durchzuspülen.

Für Funktionen der Filteranlage wie RÜCKSPÜLEN, NACHSPÜLEN und ENTLEREN kann das Ablauf-Set verwendet werden – auf den Austritt-Stutzen „ABLAUF / WASTE“ statt des Stöpsels direkt den Dorn, ggf. ein Winkelstück mit einem Dorn für den Ablaufschlauch aufschrauben.

**BEIM ABLASSEN VON WASSER AUS DEM STUTZEN „ABLAUF / WASTE“ IST DAFÜR SORGE ZU TRAGEN, DASS ALLE GESETZLICHEN ANFORDERUNGEN ZUM UMGANG MIT ABWASSER EINGEHALTEN WERDEN. WASSER NICHT IN STELLEN AUSLAUFEN LASSEN, WO SCHÄDEN DURCH ÜBERFLUTUNG ENTSTEHEN KÖNNEN. DER STUTZEN „ABLAUF / WASTE“ KANN MIT EINER VERSCHRAUBUNG FÜR ANSCHLUSS EINES ABLAUFSCHLAUCHS VERSEHEN WERDEN. WÄHREND DER FILTRATION SOLLTE DER STUTZEN „ABLAUF / WASTE“ MIT EINEM STÖPSEL VERSCHLOSSEN SEIN.**

## Bedienung des Mehrwegeventils



**Vor einer Änderung der Ventilstellung ist die Anlage vom Stromnetz zu trennen.**

Nach dem Abschalten der Pumpe ca. eine halbe Minute warten, erst dann mit der Handhabung beginnen - Schmutz und Sand setzen sich mittlerweile ab.

Den Hebel nach unten drücken (**Abb. 12.1**), in die gewünschte Stellung drehen (**Abb. 12.2**).

## Pflege

Sichtbarer Schmutz wird mit dem Filtersystem entfernt. Dies gilt jedoch nicht für Algen, Bakterien und Mikroorganismen, die ein ständiges Hindernis für ein sauberes und gesundheitlich unbedenkliches Wasser im Pool darstellen. Für die Vorbeugung stehen viele spezielle Produkte zur Verfügung, die in der richtigen Konzentration dauerhaft gegen die oben genannten Gefahren Ihres Pools wirken und das Wasser hygienisch unbedenklich und sauber halten.

## Wartung

Der Anlagenbetrieb ist während der Badesaison regelmäßig zu prüfen. Es ist wichtig, um eine eventuelle Störung rechtzeitig zu erkennen und diese dann möglichst schnell zu beheben. Der Lieferant übernimmt keinerlei Haftung für Folgeschäden durch eine Störung der Filtereinheit oder Elektroinstallation.

Der Sand ist regelmäßig durchzuspülen. Kommt es nicht einmal nach der Durchspülung zu einer Verbesserung der Durchlässigkeit des Filtersands, d.h. der Druckwert am Manometer bleibt auch nach der Durchspülung hoch, ist der Sand zu wechseln.

Weder den Filterdeckel noch den eigentlichen Filterbehälter mit einem Lösungsmittel reinigen, die Oberfläche könnte dadurch beschädigt werden (Glanz-, Transparenzverlust u.ä.).

## Winterfestmachung

Am Ende der Saison muss das Filtersystem gereinigt, geleert, demontiert und gelagert werden. Die Filteranlage von dem Schwimmbecken trennen und über das Ablassventil, das im unteren Teil des Filterbehälters angeordnet ist, Wasser aus dem Behälter ablassen.

Die Filterwanne öffnen und Sand entfernen. Sand reinigen und Konglomerate oder Klumpen entfernen. Den Sand in der Wanne regelmäßig ersetzen.

Das Filtersystem wieder zusammenbauen und für den Winter in einen frostsicheren und trockenen Raum stellen. Den Ventilhebel in die Zwischenstellung ENTLÜFTUNG / WINTERFESTMACHUNG bringen, die bei der Winterfestmachung der Filteranlage verwendet wird.

## Garantiebedingungen und Service

Die Garantiebedingungen gelten wie im Garantieschein des Händlers beschrieben.

Sollten Sie einen Rat benötigen, den Service gewährleisten oder ein Ersatzteil kaufen wollen, wenden Sie sich an Ihren Händler. Bei der Wartung und bei Instandsetzungen verwenden Sie Original-Ersatzteile.

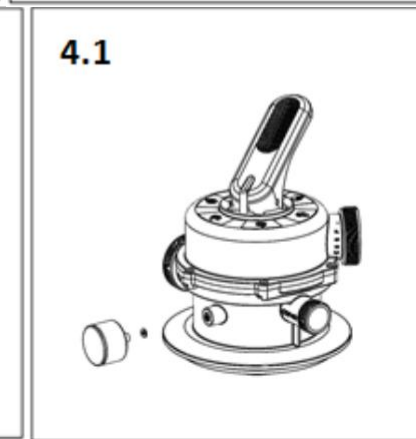
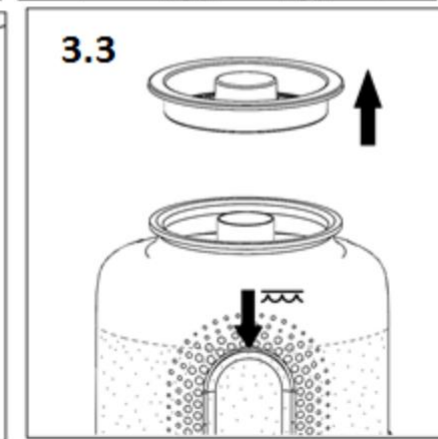
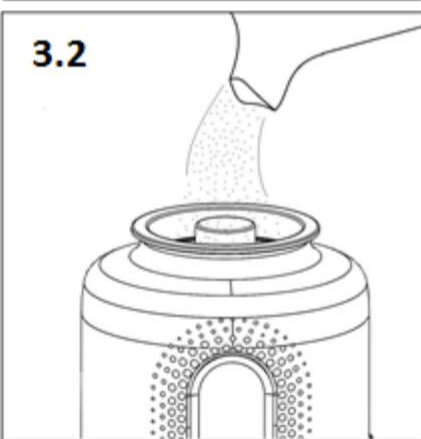
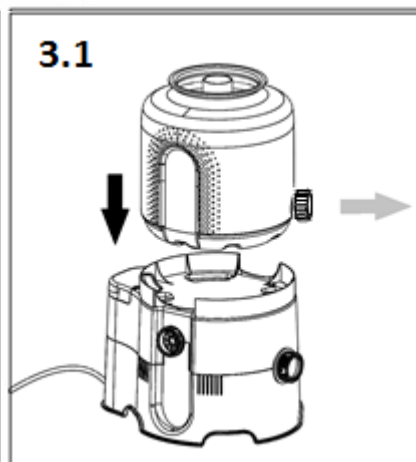
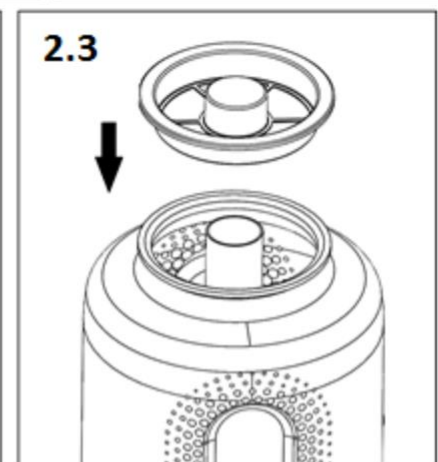
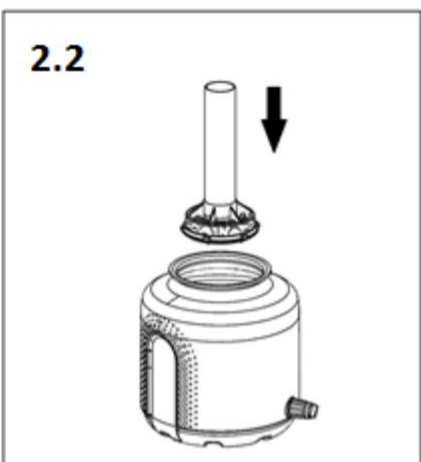
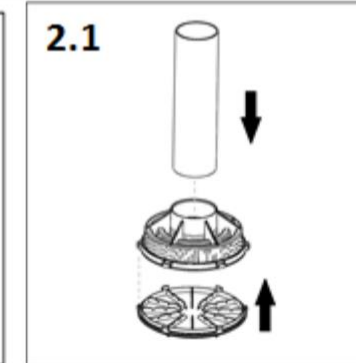
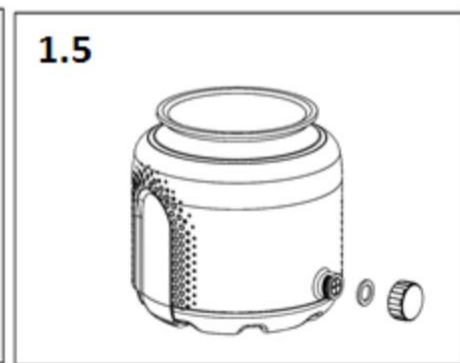
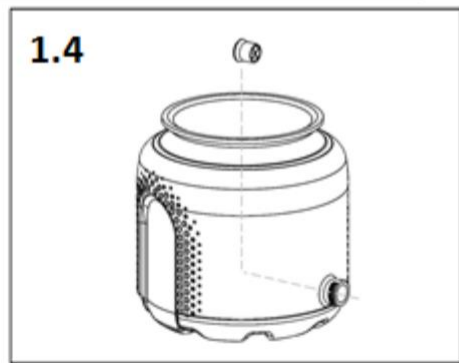
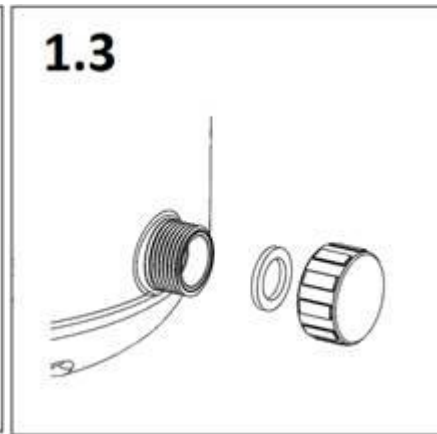
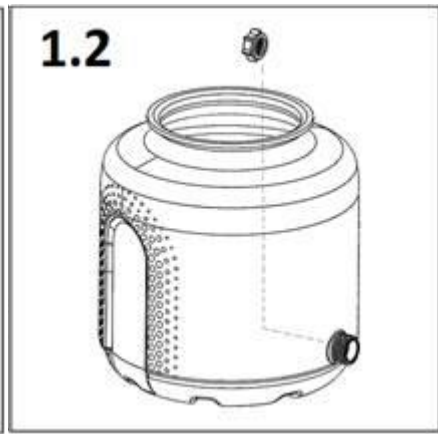
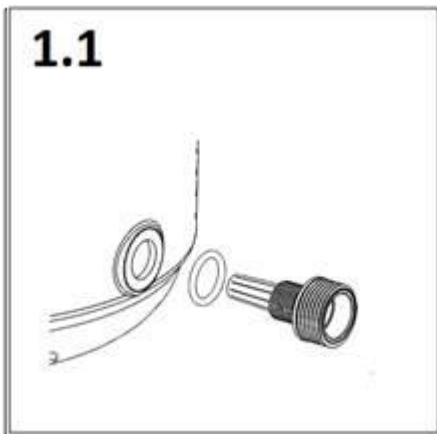
## Produktprüfungen

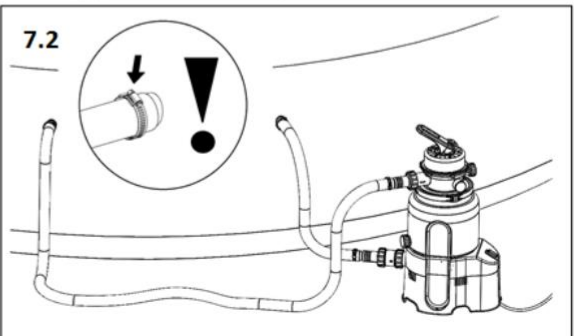
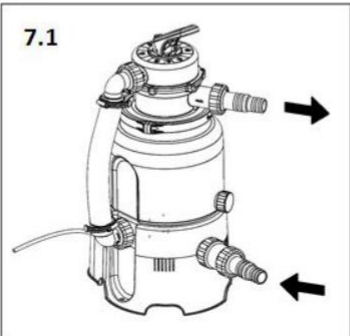
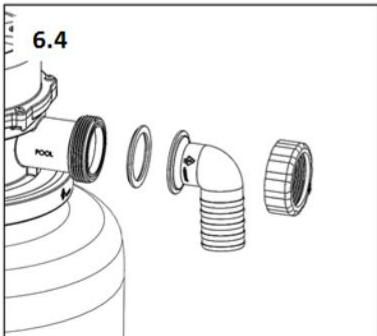
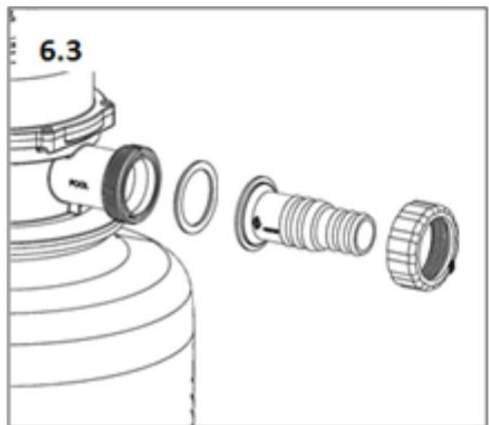
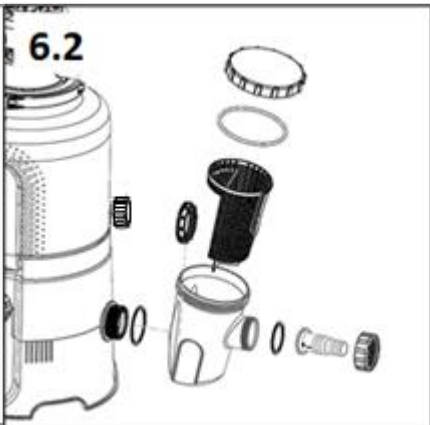
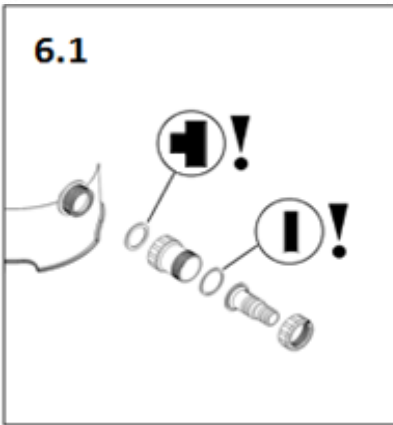
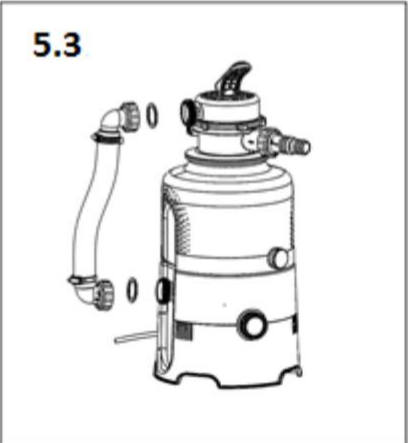
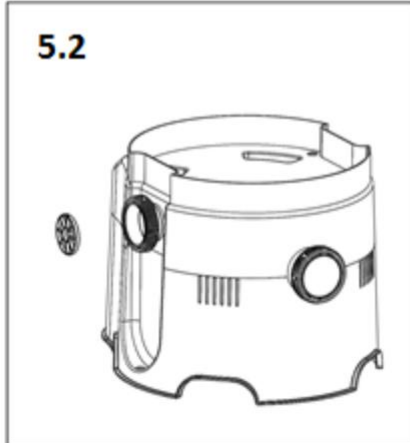
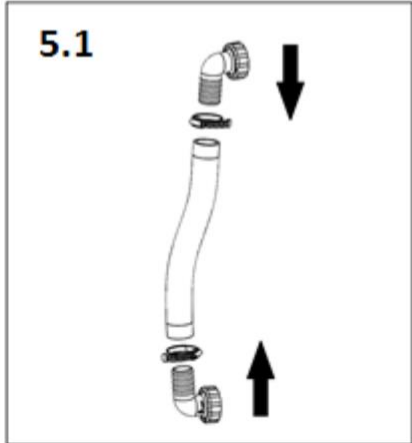
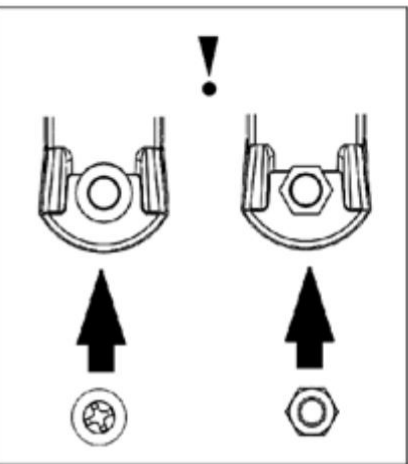
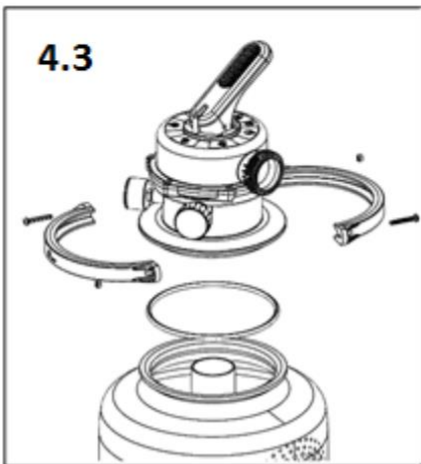
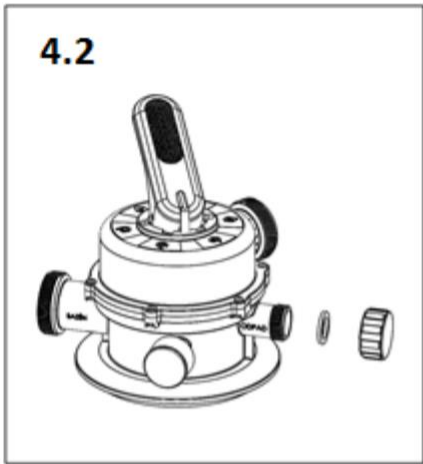
Auf das Produkt bezieht sich die Norm EN 60335-2-41, des Weiteren ist dieses mit Anforderungen der Richtlinien 2006/42/EG (Maschinenrichtlinie), 2014/30/EU (EMV), 2014/35/EU (Niederspannungsrichtlinie) und mit Anforderungen der RoHS-Richtlinie bezüglich Gehalt an gefährlichen Stoffen in Elektro- und Elektronikgeräten konform.

Das Produkt wurde in Státní zkušebna strojů a.s. geprüft.

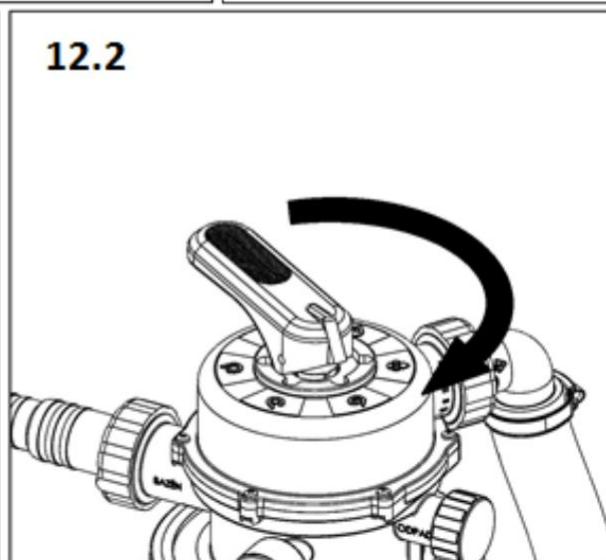
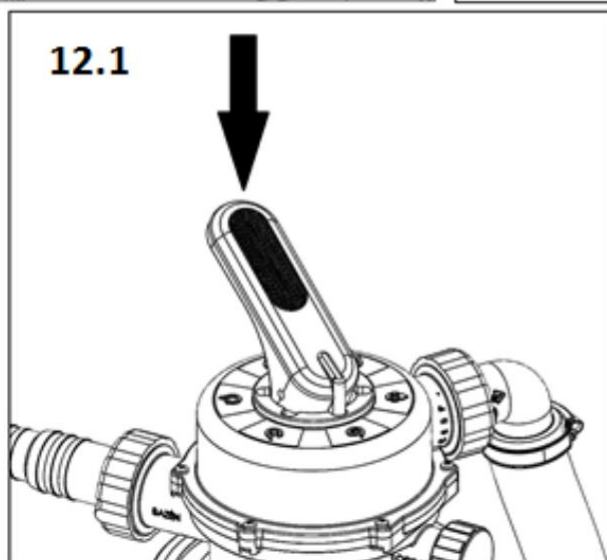
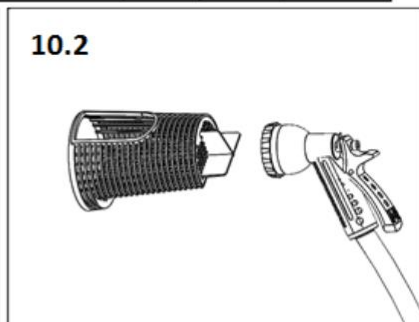
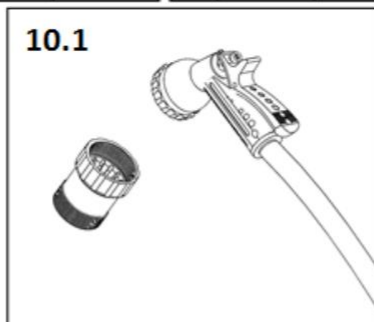
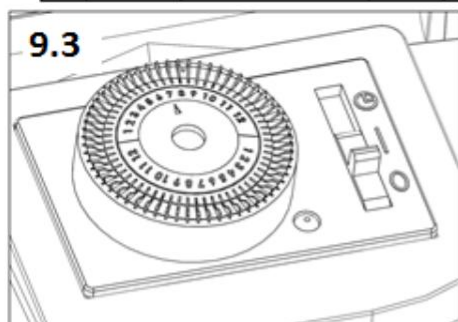
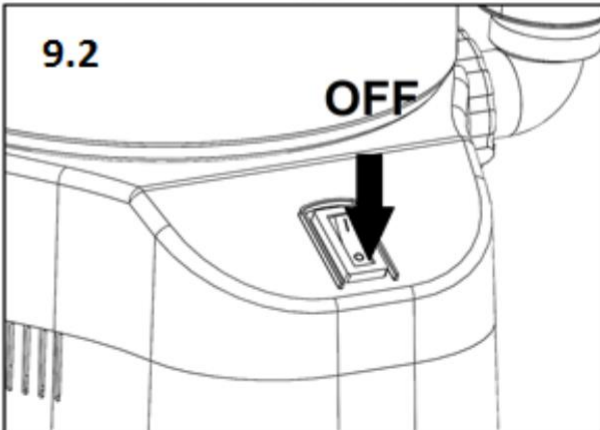
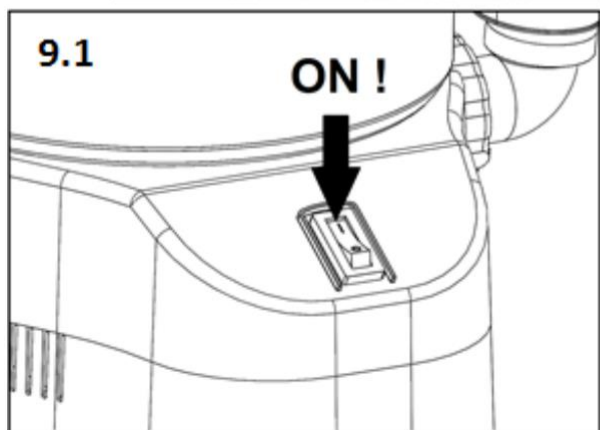
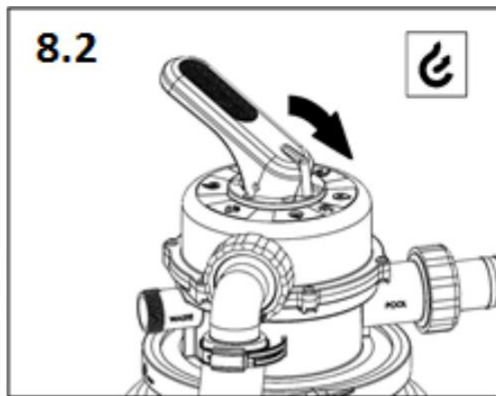
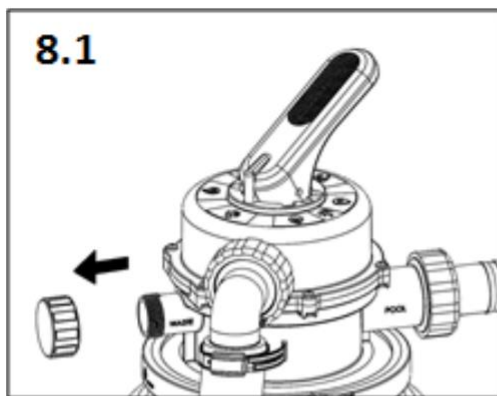
## Problemlösung

Durchfluss zu gering oder fehlt	Filteranlage wurde nicht entlüftet	Filteranlage entlüften
	Ventilhebel in der Stellung GESCHLOSSEN	In die Stellung FILTRATION drehen
	Zu verschmutzter Sand	DURCHSPÜLEN oder Sand wechseln
	Vorfilter verstopft	Vorfilter ausbauen und durchspülen
	Skimmer verstopft	Skimmerkorb ausbauen und durchspülen
	Filteranlage beschädigt	Kontakt mit Service aufnehmen
Sand gelangt ins Schwimmbad	Bedienung des Ventilhebels bei eingeschalteter Filteranlage	Vor Bedienung des Hebels die Filteranlage ausschalten
	Filtersand-Korngröße zu gering	Empfohlene Korngröße beträgt 0,6–1,2 mm
	Sand-Füllstand im Behälter zu hoch	Sandmenge im Behälter reduzieren
Pumpe saugt Luft an (im System zirkulieren Blasen)	Ungenügend angezogene Verbindungen	Überwurfmuttern vorsichtig anziehen
	Leckage an Vorfilter-Verbindungen	Verbindungen mit neuen Dichtungen versehen
	Beschädigte Dichtung	Dichtung in Verbindungen „vor“ der Pumpe prüfen
Wasserleckage aus der Anlage	Undichte Verbindung	Verbindungen anziehen/mit neuen Dichtungen versehen
	Beschädigte Dichtung	Dichtung prüfen
Wasser im Schwimmbecken kann nicht gereinigt werden	Unzureichende chemische Wasserbehandlung	pH-Wert und Chlorgehalt im Wasser prüfen
	Unzureichende Filterzeit	Filterzeit verlängern

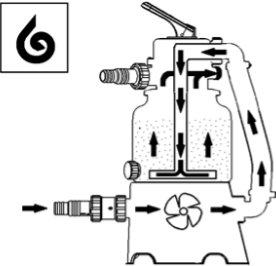
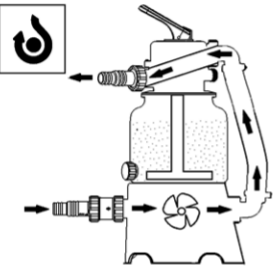
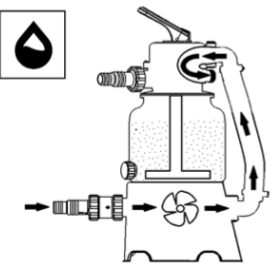
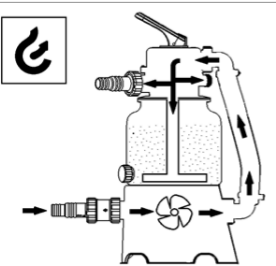
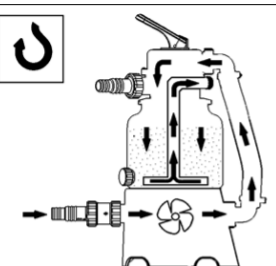
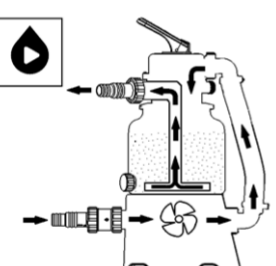
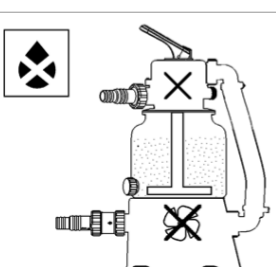








## Einzelne Ventilstellungen

	<p><b>RÜCKSPÜLEN</b> – Wasser strömt durch die Sandfüllung in entgegengesetzter Richtung, wodurch Verschmutzungen ausgeschwemmt werden, Wasser strömt nicht zurück ins Schwimmbecken, es läuft aus dem Stutzen „ABLAUF“ – <b>den Stöpsel entfernen!</b></p>
	<p><b>ZIRKULIEREN</b> – Wasser strömt durch die Anlage, jedoch nicht durch die Sandfüllung.</p>
	<p><b>ENTLEEREN</b> – Wasser strömt nicht durch die Sandfüllung, sondern in den Stutzen „ABLAUF“ – <b>den Stöpsel entfernen!</b> Die Stellung dient zur Senkung des Wasserspiegels im Schwimmbecken, ggf. zum Saugen von groben Verschmutzungen.</p>
	<p><b>ENTLÜFTUNG / WINTERFESTMACHUNG</b> – in dieser Stellung ist das Ventil in allen Richtungen durchgängig, die entweichende Luft ermöglicht eine spontane Überflutung der Pumpenkammer. Die Stellung kommt auch bei der Winterfestmachung, ggf. bei einer längeren Stilllegung der Filteranlage zum Einsatz.</p>
	<p><b>NACHSPÜLEN</b> – die Stellung kommt beim ersten Einschalten mit einer neuen Sandfüllung oder nach einer „RÜCKSPÜLEN“ zum Einsatz, der aufgewirbelte Sand setzt sich ab und eventuell vorhandene Reste der Verschmutzungen werden durch den Stutzen „ABLAUF“ ausgespült – <b>den Stöpsel entfernen!</b></p>
	<p><b>FILTRATION</b> – primäre Ventilstellung, Wasser wird über die Sandfüllung gefiltert und strömt zurück ins Schwimmbecken.</p>
	<p><b>GESCHLOSSEN</b> – die Anlage nicht einschalten!</p>

# FILTRO DE ARENA

Manual de instalación, montaje y  
uso  
(Manual de uso original)



**LE ROGAMOS QUE LEA, COMPRENDA Y SIGA TODAS LAS INSTRUCCIONES DE ESTE MANUAL DE USO ANTES DE INSTALAR Y UTILIZAR ESTE PRODUCTO. GUARDE ESTE MANUAL PARA NECESIDADES POSTERIORES.**

## Información general

Para la empresa Mountfield a.s. fabricado por Garsys s.r.o., Zona industrial de la mina František, calle K Prádlu, 735 Horní Suchá, 735 35; país de origen: República Checa

## Instrucciones de seguridad



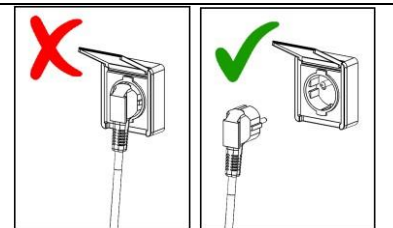
En este manual, este símbolo indica instrucciones que si no se observan pueden poner en peligro la salud de las personas.



En este manual, este símbolo indica instrucciones que si no se observan pueden poner en peligro a las personas por la corriente eléctrica.



**DESCONECTE EL EQUIPO DE LA FUENTE DE ALIMENTACIÓN CUANDO SE MANEJE EL EQUIPO, O CUANDO ALGUNA PERSONA SE BAÑE EN LA PISCINA**

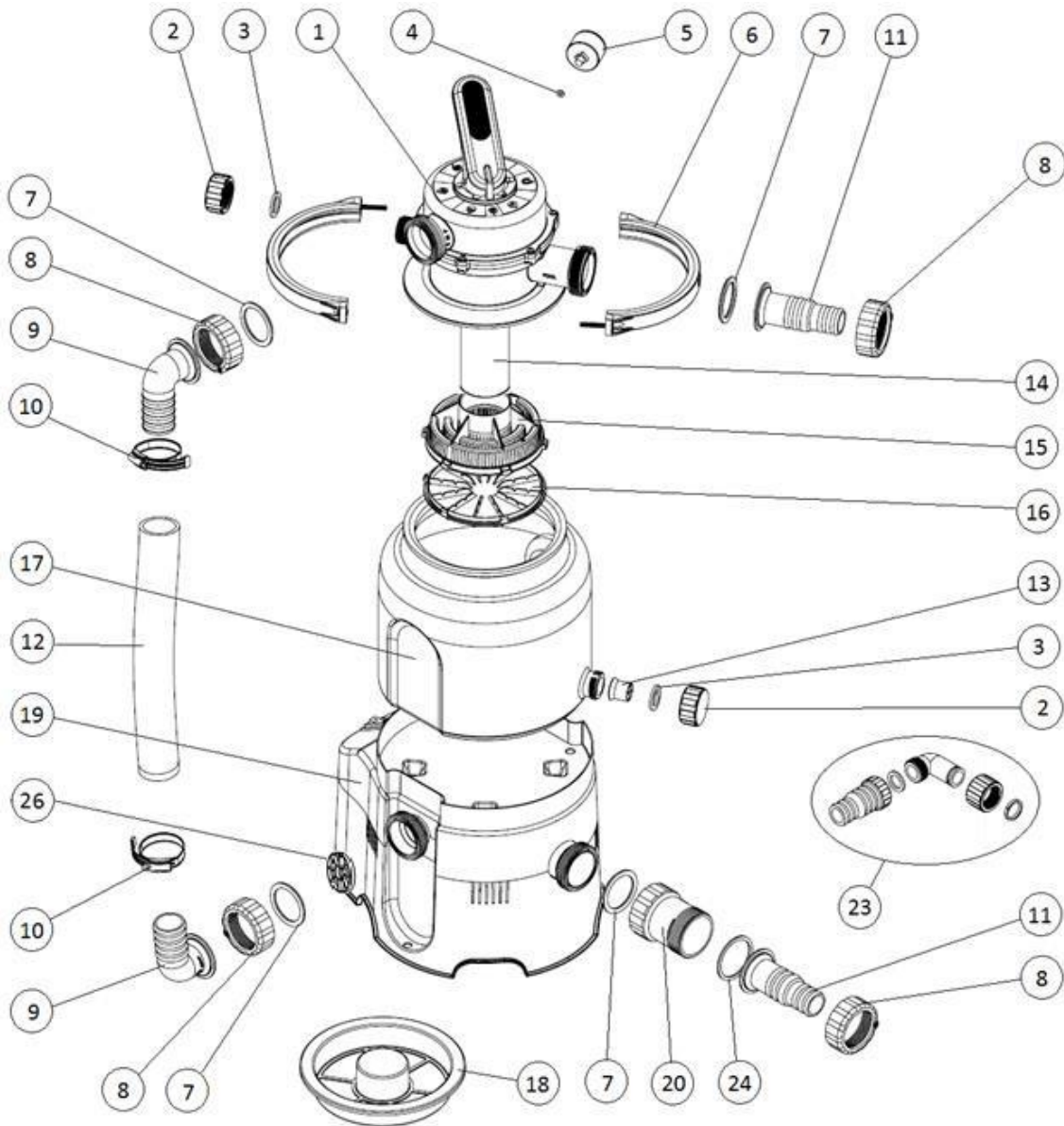


**LEA Y SIGA ESTAS INSTRUCCIONES**

**No seguir las instrucciones de este manual de uso puede causar lesiones o la muerte por la corriente eléctrica.**

- El equipo puede ser utilizado por niños mayores de 8 años y personas con capacidades físicas, sensoriales o mentales reducidas, o con falta de experiencia y conocimiento, siempre que estén supervisados por un adulto o hayan recibido instrucciones sobre el uso seguro del equipo y comprendan los potenciales peligros. Los niños no pueden jugar con el equipo ni deben realizar la limpieza y el mantenimiento sin supervisión.
- Solo conecte el equipo a una red de distribución eléctrica que cumpla con la norma ČSN, a una toma de corriente a una distancia mínima de 3,5 m de la piscina y protegida por un disyuntor con una corriente nominal de corte no superior a 30 mA.
- Conecte el equipo directamente a una toma de corriente. En el caso de usar una alargadera, use solo una que cumpla con la norma ČSN para uso en exteriores.
- No intente enchufar o desenchufar el cable de alimentación con las manos mojadas o cuando se encuentre en el agua.
- Coloque el equipo de manera que no pueda servir de ayuda para que los niños entren en la piscina.
- Mantenga a los niños a una distancia segura del equipo y del cable de alimentación. Asegúrese de que no jueguen con el equipo.
- No entierre el cable de alimentación del equipo en el suelo, evite dañarlo. Colóquelo de manera que no pueda ser dañado por un cortacésped, cortasetos o equipo similar.
- El enchufe del cable de alimentación debe estar accesible a la persona que lo maneje para poder desconectar el equipo inmediatamente de la fuente de alimentación en caso de necesidad.
- Desconecte el equipo de la red eléctrica antes de que las personas entren en la piscina. El equipo no debe utilizarse si hay personas en la piscina.
- Nunca opere el equipo sin agua.
- Nunca opere un equipo dañado o incompleto. Repare el fallo inmediatamente. Utilice las piezas de recambio originales para el mantenimiento y las reparaciones.
- Nunca encienda el equipo si la posición de la válvula de seis vías está en la posición CERRADA o si la tubería en el sistema de circulación está bloqueada; la tapa de la válvula de seis vías puede dañarse, romperse o desprenderse, lo que puede provocar lesiones o daños a la propiedad.
- Compruebe regularmente el filtro en busca de obstrucciones y limpie el prefiltro de la bomba y el cesto del skimmer para evitar daños a la bomba y garantizar el funcionamiento correcto del sistema.
- El nivel de presión acústica A en la estación de la persona que maneja el equipo no supera los 70 dB (A).

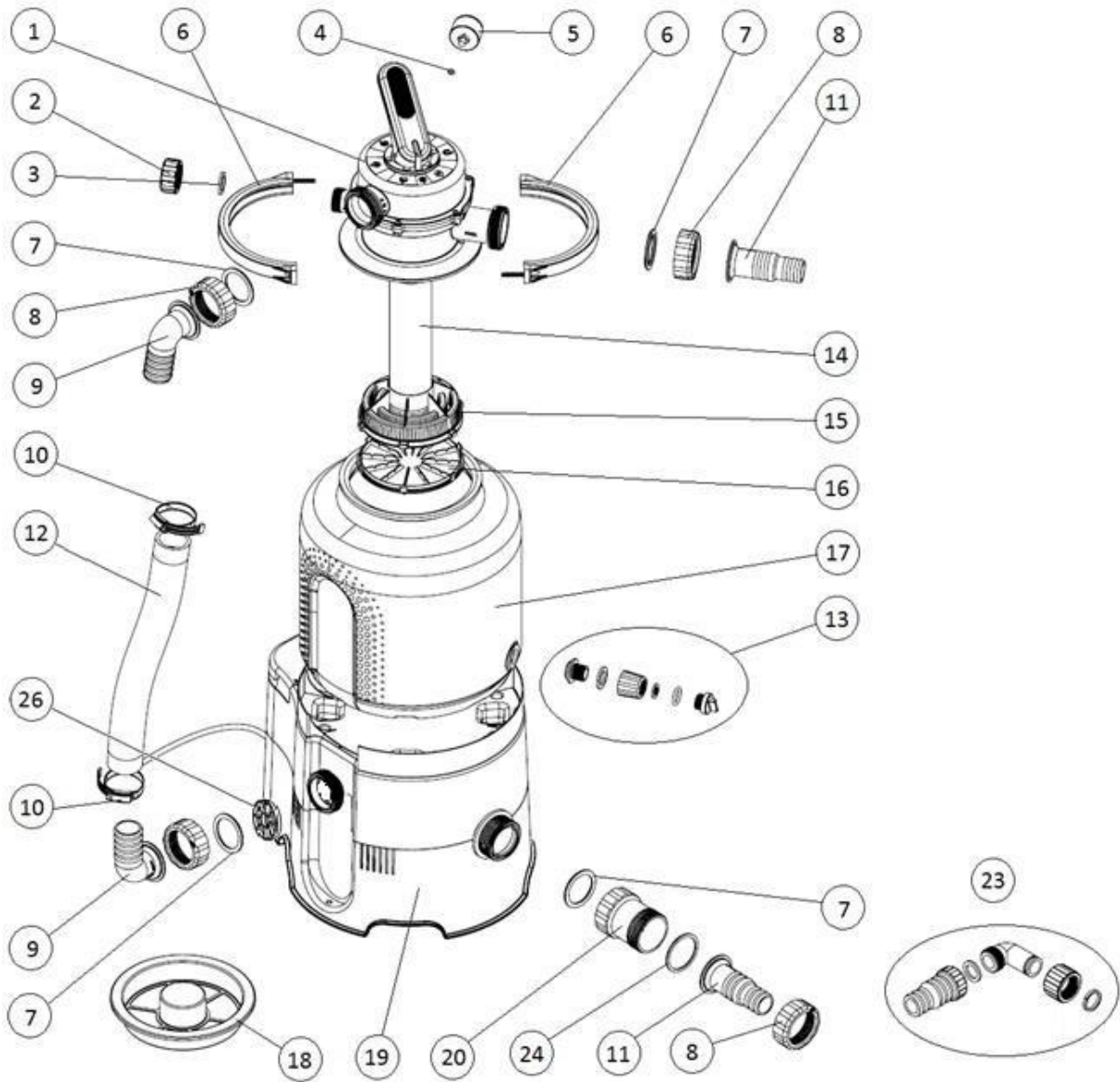
## Lista de componentes – AZURO 2m<sup>3</sup>/h



Ítem	Denominación	Cantidad
1	Válvula de múltiples vías	1
2	Tapón	2
3	Sello plano del tapón	2
4	Sello plano del manómetro	1
5	Manómetro	1
6	Manguito de la válvula 1/2, incluido el material de conexión	2
7	Sello de forma especial para mandriles y codos	4
8	Tuerca de unión para mandriles y codos	4
9	Codo D38	2
10	Abrazadera de la manguera 40-60	2
11	Mandril D32/38	2
12	Manguera de conexión	1
13	Tamiz de drenaje	1

Ítem	Denominación	Cantidad
14	Tubo de aspiración	1
15	Cesto de succión	1
16	Fondo del cesto de succión	1
17	Recipiente	1
18	Tolva	1
19	Soporte con bomba	1
20	Prefiltro	1
21	Manguera de piscina, 3 piezas	2
22	Abrazadera de la manguera 25-40	4
23	Kit de desagüe	1
24	Sello plano del prefiltro	1
25	Cinta de teflón	1
26	Rejilla contra la penetración de cuerpos extraños	1

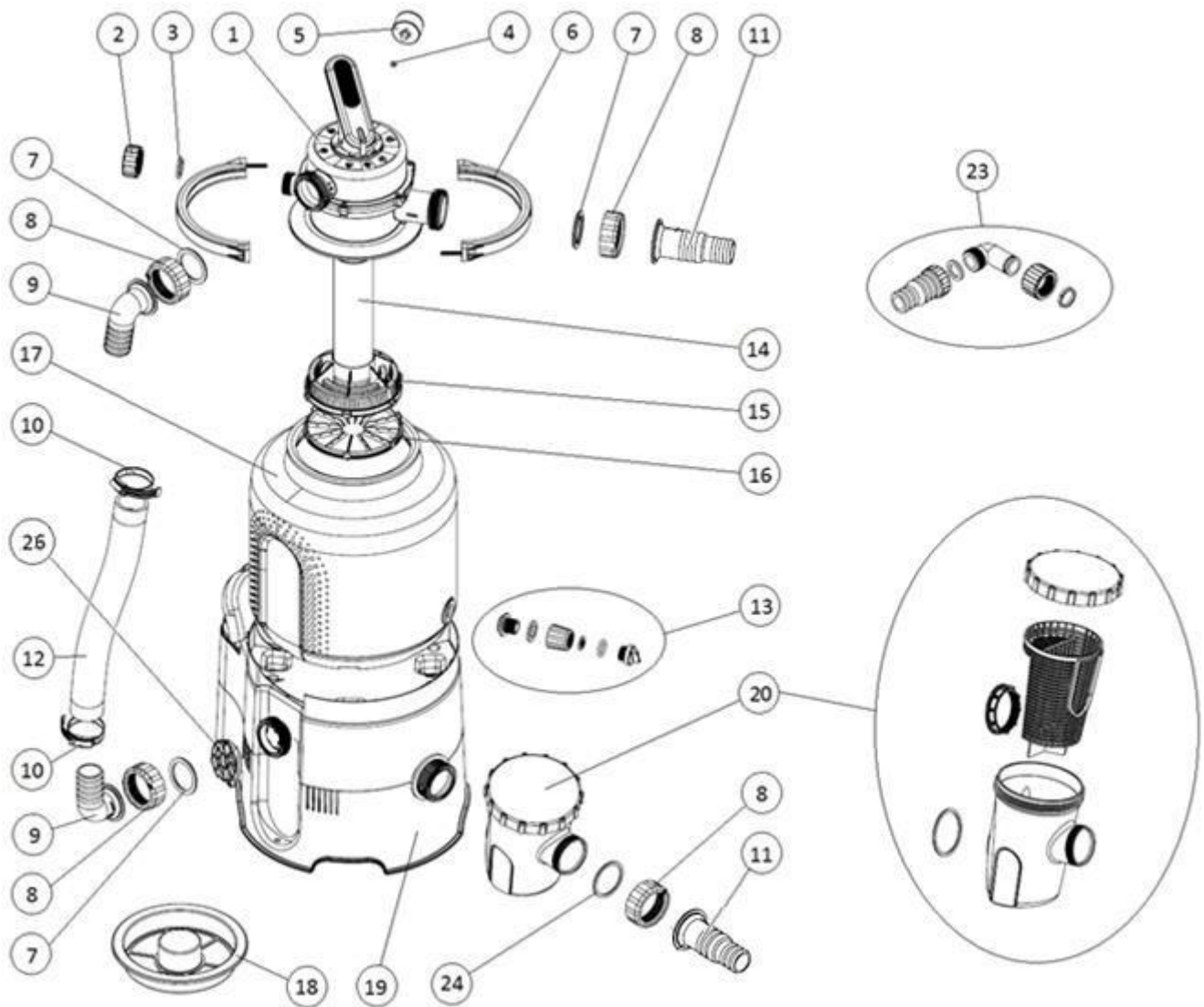
## Listado de componentes – AZURO 4m<sup>3</sup>/h (T)



Ítem	Denominación	Cantidad
1	Válvula de múltiples vías	1
2	Tapón	1
3	Sello plano del tapón	1
4	Sello plano del manómetro	1
5	Manómetro	1
6	Manguito de la válvula 1/2, incluido el material de conexión	2
7	Sello de forma especial para mandriles y codos	4
8	Tuerca de unión para mandriles y codos	4
9	Codo D38	2
10	Abrazadera de la manguera 40-60	2
11	Mandril D32/38	2
12	Manguera de conexión	1
13	Accesorio de drenaje	1

Ítem	Denominación	Cantidad
14	Tubo de aspiración	1
15	Cesto de succión	1
16	Fondo del cesto de succión	1
17	Recipiente	1
18	Tolva	1
19	Soporte con bomba	1
20	Prefiltro	1
21	Manguera de piscina, 3 piezas	2
22	Abrazadera de la manguera 25-40	4
23	Kit de desagüe	1
24	Sello plano del prefiltro	1
25	Cinta de teflón	1
26	Rejilla contra la penetración de cuerpos extraños	1

## Lista de componentes – AZURO 6m<sup>3</sup>/h (T)



Ítem	Denominación	Cantidad
1	Válvula de múltiples vías	1
2	Tapón	1
3	Sello plano del tapón	1
4	Sello plano del manómetro	1
5	Manómetro	1
6	Manguito de la válvula 1/2, incluido el material de conexión	2
7	Sello de forma especial para mandriles y codos	4
8	Tuerca de unión para mandriles y codos	4
9	Codo D38	2
10	Abrazadera de la manguera 40-60	2
11	Mandril D32/38	2
12	Manguera de conexión	1
13	Accesorio de drenaje	1

Ítem	Denominación	Cantidad
14	Tubo de aspiración	1
15	Cesto de succión	1
16	Fondo del cesto de succión	1
17	Recipiente	1
18	Tolva	1
19	Soporte con bomba	1
20	Prefiltro	1
21	Manguera de piscina, 3 piezas	2
22	Abrazadera de la manguera 25-40	4
23	Kit de desagüe	1
24	Sello plano del prefiltro	1
25	Cinta de teflón	1
26	Rejilla contra la penetración de cuerpos extraños	1

## Uso

Esta unidad de filtrado está diseñada para filtrar agua en piscinas superficiales estacionales. No está destinada a piscinas que están en funcionamiento durante todo el año. La bomba de filtrado no es de aspiración automática, por lo que el filtro debe instalarse por debajo del nivel del agua en la piscina, con inundación natural de agua.

**ADVERTENCIA:** Las ilustraciones de este manual son solo para fines ilustrativos y pueden diferir del producto real suministrado. Nos reservamos el derecho de modificar el producto total o parcialmente sin previo aviso.

### Condiciones de uso de la unidad de filtrado:

- valor de pH del agua 6 - 8,5
- contenido máximo de cloro libre 10 mg/l
- contenido máximo de sal disuelta 0,5 %

## Antes de la puesta en marcha

Desembale todos los componentes antes de ensamblar y poner en servicio el equipo.

Mantenga una distancia segura entre el filtro y el entorno para permitir el manejo del equipo.

El filtro debe colocarse sobre una base sólida (por ejemplo, una losa de hormigón, etc.). La losa debe colocarse y nivelarse con un nivel de burbuja. El equipo no debe estar colocado en el césped, existe el riesgo de que la bomba se sobrecaliente.

Evite inundar el equipo. Las inundaciones pueden dañar el equipo o poner en peligro a las personas, causándoles lesiones por la corriente eléctrica.

Si ha llenado parcial o completamente la piscina, es necesario colocar el equipo de filtrado en el pozo del filtro, que estará conectado a la piscina. Si su filtro se coloca en un pozo, asegúrese de que el pozo no se pueda inundar con agua. Para evitar esto, es una buena idea llenar el fondo del pozo con grava para absorber pequeñas fugas de agua y crear un desagüe directamente en el alcantarillado. Es importante asegurar la ventilación del pozo, debido a la condensación de agua, el equipo puede dañarse.

Los accesorios necesarios, como mangueras adicionales, abrazaderas de manguera y arena de filtrado (no forman parte del suministro), están disponibles en la tienda del distribuidor.



**¡El filtro no debe funcionar en seco (sin agua)! Si el filtro se usa de esta manera, la garantía quedará anulada.**

## Datos técnicos

	SWING PLUS 10	SWING PLUS 14 (T)	SWING PLUS 18 (T)
Tensión	230 V / 50 Hz	230 V / 50 Hz	230 V / 50 Hz
Potencia de entrada	85 W	190 W	250 W
Flujo por el sistema	2 m <sup>3</sup> /h	4 m <sup>3</sup> /h	5 m <sup>3</sup> /h
Grado de protección	IPX5	IPX5	IPX5
Desplazamiento	1,5 m	1,5 m	1,5 m
Diámetro del filtro	143 mm	143 mm	143 mm
Superficie útil de filtrado	0,036 m <sup>2</sup>	0,036 m <sup>2</sup>	0,036 m <sup>2</sup>
Presión de trabajo	0,2 bar	0,3 bar	0,5 bar
Presión máxima de trabajo	0,4 bar	0,6 bar	1,0 bar
Temperatura máxima del agua	35 °C	35 °C	35 °C
Carga de arena	10 kg	14 kg	18 kg
Textura de los granos	0,6 - 1,2 mm	0,6 - 1,2 mm	0,6 - 1,2 mm



**¡Proteja el medio ambiente!** No deseche este equipo con la basura municipal. El producto contiene componentes eléctricos/electrónicos. De acuerdo con la Directiva Europea 2012/19/UE, los equipos eléctricos y electrónicos no deben desecharse con la basura municipal al final de su vida útil, pero es necesario desecharlos para su eliminación ecológica en los puntos de recogida destinados para tal fin. Recibirá la información sobre estos lugares en el ayuntamiento.



## **Ensamblado**

**Nota:** Dado que todas las juntas tienen sellos, no es necesario apretar demasiado las tuercas. Las piezas de plástico podrían dañarse.

**Nota:** Necesitará un destornillador de cruz o de punta plana y una llave Allen 10 para ensamblar.

### **1. Instalación del accesorio de drenaje en el recipiente**

Inserte la pieza de acoplamiento roscada a través del agujero de drenaje del recipiente desde el interior (**FIG. 1.1**). Coloque un sello en la rosca que sobresale y atornille el casquillo (**FIG. 1.2**). Inserte un tamiz en éste contra las fugas de arena. Empuje el tamiz enroscando el tapón con la junta tórica (**FIG. 1.3**). El apriete manual es suficiente para sellar las juntas. El uso de tenazas puede dañar las piezas.

#### **1.A Para un recipiente de 10 l con cuello de drenaje, proceda de la siguiente manera:**

Inserte el tamiz de drenaje a través del agujero de drenaje del recipiente desde el interior (**FIG. 1.4**). Enrosque el tapón con sello (**FIG. 1.5**) en el cuello roscado. El apriete manual es suficiente para sellar las juntas. El uso de tenazas puede dañar las piezas.

### **2. Ensamblaje del cesto de succión**

Conecte la parte inferior del cesto de succión al propio cesto de succión haciendo clic en 6 cierres alrededor de su circunferencia. Inserte el tubo de succión en el cesto de succión completo (**FIG. 2.1**). Coloque la unidad en el recipiente vacío (**FIG. 2.2**), fije su posición colocando la tolva (**FIG. 2.3**). El recipiente ahora está listo para llenarse con arena.

### **3. Llenado de arena**

Recomendamos colocar el recipiente en la base con la bomba antes de llenar la arena. Manipular con el recipiente lleno es difícil. Alinee las ranuras laterales en el recipiente con las ranuras en la base, el accesorio de drenaje debe estar orientado en dirección opuesta al interruptor (**FIG. 3.1**).

Con la tolva instalada, llene el recipiente con la cantidad necesaria de arena (**FIG. 3.2**). El nivel de arena en el recipiente debe alcanzar la parte superior de las ranuras laterales (**FIG. 3.3**). Ahora quite la tolva y elimine los granos de arena u otras impurezas de la superficie de sellado del cuello del recipiente.

### **4. Instalación de la válvula de múltiples vías**

Inserte la junta tórica debajo de la válvula y colóquela en el cuello del recipiente lleno. Gire la válvula de modo que su cuello PUMP/BOMBA esté orientado en la misma dirección que la salida de la bomba en la base del recipiente. Luego coloque ambas mitades de la abrazadera en el recipiente y el accesorio de la válvula, conecte los tornillos (**FIG. 4.3**) y apriételos uniformemente.

Inserte un pequeño sello de goma en el agujero del manómetro, atornille el cuerpo del manómetro (**FIG. 4.1**) y apriételo ligeramente con la mano.

**!!! Preste especial atención al correcto atornillado, ¡la rosca fina puede dañarse!**

Enrosque el tapón con el sello en el cuello de WASTE/DESAGÜE (**FIG. 4.2**).

### **5. Instalación de las mangueras de conexión**

Inserte las bridas de apriete en la manguera, inserte los codos junto con las tuercas de unión en ambos extremos de la manguera (**FIG. 5.1**). Inserte la rejilla contra la penetración de partículas sólidas en la salida lateral de la bomba (**FIG. 5.2**), luego conecte la manguera preparada a esta salida y al cuello de la válvula PUMP/BOMBA usando tuercas de unión y sellos (**FIG. 5.3**).

**!!! ¡¡¡Apretar las abrazaderas de manguera solo después de apretar las tuercas de unión!!!**

### **6. Instalación del prefiltro y los mandriles**

Instale el prefiltro transparente en el cuello de succión de la bomba, luego sobre él el mandril de la manguera de conexión (**FIG. 6.1**). **!!! ¡¡¡Preste atención a la forma del sello utilizado!!!**

#### **6.A Para el filtro SWING PLUS 18 con un prefiltro grande, proceda de la siguiente manera:**

Inserte el cuerpo del prefiltro junto con el sello en el cuello de la bomba y apriete la tuerca de unión dentro del prefiltro, inserte el cesto para suciedad en el prefiltro y cierre con la tapa con junta tórica. Instale los mandriles de conexión en el cuello de la tuerca de unión (**FIG. 6.2**).

**!!! ¡¡¡Preste atención a la forma del sello utilizado!!!** Atornille el segundo mandril de conexión de manguera en el cuello de la válvula POOL/PISCINA (**FIG. 6.3**).

### **7. Conexión del equipo a la piscina: ver FIG. 7.1, FIG. 7.2**

Conecte el equipo a la piscina utilizando mangueras de piscina y las abrazaderas adecuadas.

## **Funcionamiento del equipo**

### **1. Llenado con agua/purga de la bomba**

Quite el tapón del cuello "DESAGÜE/WASTE" (FIG. 8.1), mueva la palanca de la válvula a la posición PURGA y espere hasta que el agua comience a salir por el cuello (FIG. 8.2). Luego mueva la palanca de la válvula a la posición CERRADA y vuelva a enroscar el tapón. Finalmente, mueva la palanca de la válvula a la posición de FILTRACIÓN. Ahora se puede poner en marcha el filtro.

Antes de usar por primera vez o después de cambiar la carga de arena, primero enjuague la arena.

### **2. Puesta en marcha**

Utilice el interruptor basculante en la parte trasera del filtro para poner el equipo en marcha.

ENCENDIDO: FIG. 9.1

APAGADO: FIG. 9.2



**¡Compruebe la posición de la válvula antes de conectar el equipo a la red!**

**Nunca encienda el equipo cuando la posición de la válvula de seis vías esté en la posición CERRADA, o si la tubería en el sistema circulatorio está obstruida.**

### **2.A El filtro SWING marcado con "T" está equipado con un temporizador ajustable (FIG. 9.3):**

Utilice el conmutador corredero para seleccionar la función deseada. El temporizador se puede configurar en intervalos de 20 minutos en un ciclo de 24 horas. Un tope corresponde a 20 minutos, es decir, 3 topes = 1 hora. El LED de control indica la marcha del equipo.

### **3. Uso**

Coloque la válvula en la posición FILTRACIÓN y encienda el equipo. Compruebe periódicamente el flujo a través del filtro (presión en el manómetro) y realice un enjuague de la arena en base a los valores averiguados.

Es recomendable determinar el horario de filtrado en función del tamaño de la piscina y su uso. La condición para una filtración correcta es que el agua de la piscina se filtre al menos una vez al día. El tiempo mínimo de funcionamiento del filtro es, por lo tanto, la relación entre el volumen de la piscina y el caudal de filtración.

*Ejemplo: Para una piscina con un volumen de agua de 10 m<sup>3</sup> y el filtro SWING PLUS 10 con un caudal de 2 m<sup>3</sup>/h, sería 5 horas.*

### **4. Limpieza del prefiltro**

Si hay suciedad visible o restricción de la función del filtro, limpie el prefiltro con un chorro de agua (FIG. 10.1). En el caso del filtro SWING PLUS 18, enjuague el cesto del filtro interior (FIG. 10.2).

### **5. Enjuague de la arena**

Dependiendo de la presión en el recipiente, es posible saber cuándo es necesario enjuagar el medio de filtrado. Después de la primera puesta en marcha con arena de filtrado limpia, anote el valor de la presión; al aumentar éste en más de una unidad de escala, es necesario realizar el ENJUAGUE (2-3 minutos) + LAVADO (aprox. 30 segundos), ver "Posiciones de la válvula". Para la filtración diaria, se recomienda enjuagar la arena al menos una vez a la semana.

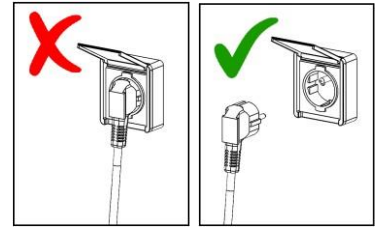
Para funciones de filtración como ENJUAGUE, LAVADO y DESAGÜE, es posible utilizar un juego de desagüe: en el cuello de desagüe "DESAGÜE/WASTE" en lugar del tapón, atornille directamente el mandril, o el codo con el mandril para la manguera de desagüe .

**AL DRENAR EL AGUA DEL CUELLO "DESAGÜE/WASTE", ASEGÚRESE DE CUMPLIR CON TODOS LOS REQUISITOS LEGISLATIVOS PARA LA GESTIÓN DE LAS AGUAS RESIDUALES. NO DRENE EL AGUA A LUGARES DONDE PODRÍA CAUSAR DAÑOS POR INUNDACIONES. EL CUELLO "DESAGÜE/WASTE" PUEDE SER EQUIPADO CON UN ACCESORIO PARA CONECTAR LA MANGUERA DE DESAGÜE/DRENAJE. DURANTE LA FILTRACIÓN, EL CUELLO "DESAGÜE/WASTE" DEBE ESTAR CERRADO CON UN TAPÓN.**

## Manejo de la válvula de múltiples vías



**Desconecte siempre el equipo de la red antes de cambiar la posición de la válvula.** Antes de empezar a manipular con ella, espere aproximadamente medio minuto después de apagar la bomba; la suciedad y la arena arremolinadas se asentarán.



Empuje la palanca hacia abajo (FIG. 12.1), gírela a la posición deseada (FIG. 12.2).

## Cuidado

Las impurezas visibles se eliminan mediante el sistema de filtrado. Sin embargo, esto no se aplica a las algas, bacterias y microorganismos, que son un obstáculo constante para lograr un agua limpia y saludable en la piscina. Para la prevención, hay muchos productos especiales disponibles que, en una concentración adecuada, contrarrestan permanentemente las amenazas mencionadas anteriormente para su piscina y mantienen el agua higiénicamente segura y limpia.

## Mantenimiento

Compruebe periódicamente el funcionamiento del equipo durante la temporada de baño. Esto es importante para que un posible fallo pueda identificarse a tiempo y para que pueda repararse lo antes posible. El proveedor no se hace responsable de los daños resultantes causados por un defecto en la unidad de filtrado o en la instalación eléctrica.

Enjuague la arena con regularidad. Si la permeabilidad de la arena del filtro no mejora incluso después del enjuague, es decir que la presión en el manómetro se mantiene alta incluso después del enjuague, cambie la arena.

No limpie la tapa del filtro ni el propio recipiente del filtro con ningún disolvente, ya que esto podría dañar su superficie (pérdida de brillo, transparencia, etc.).

## Preparación para el invierno

Al final de la temporada, el filtro debe limpiarse, vaciarse, desensamblarse y almacenarse. Desconecte el filtro de la piscina y drene el agua del recipiente usando la válvula de drenaje ubicada en la parte inferior del recipiente del filtro.

Abra el recipiente del filtro y saque la arena. Limpie la arena y elimine conglomerados o grumos. Cambie regularmente la arena en el recipiente.

Vuelva a ensamblar el filtro y colóquelo en una habitación seca y resistente a las heladas durante el invierno. Mueva la palanca de la válvula a la posición intermedia PURGA/PREPARACIÓN PARA EL INVIERNO, que se utiliza para preparar el filtro para el invierno.

## Condiciones de garantía y servicio técnico

Las condiciones de la garantía se aplican según se describe en el Certificado de garantía del vendedor.

Si necesita asesoramiento, servicio o una pieza de recambio, póngase en contacto con su vendedor. Utilice las piezas de recambio originales para el mantenimiento y las reparaciones.

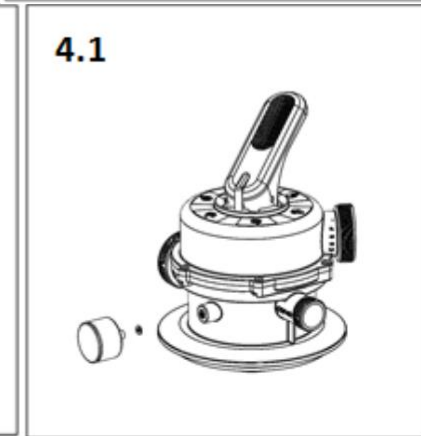
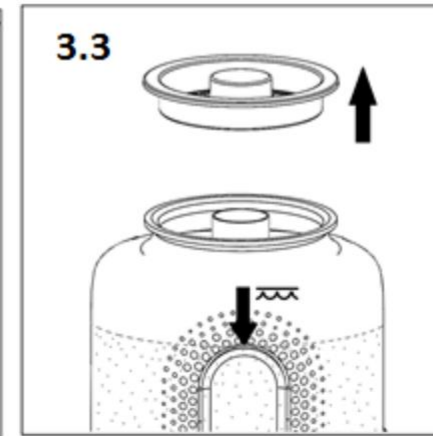
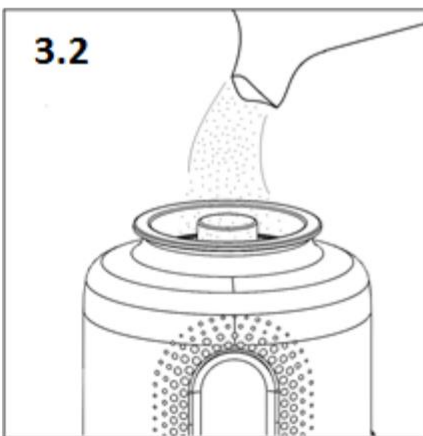
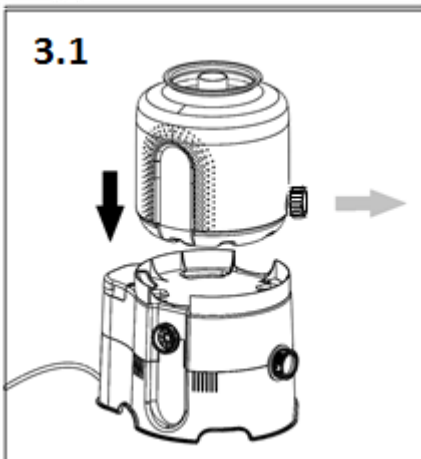
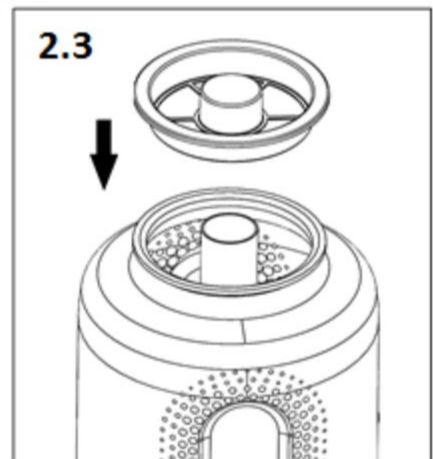
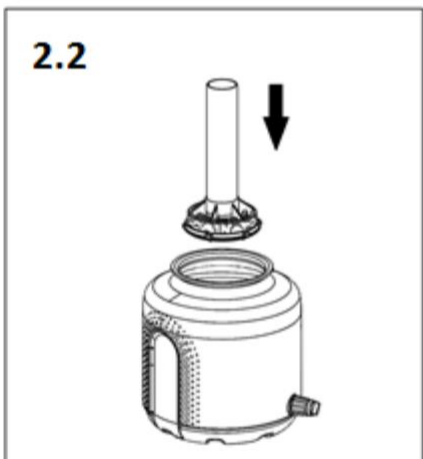
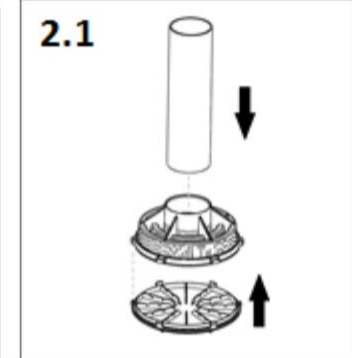
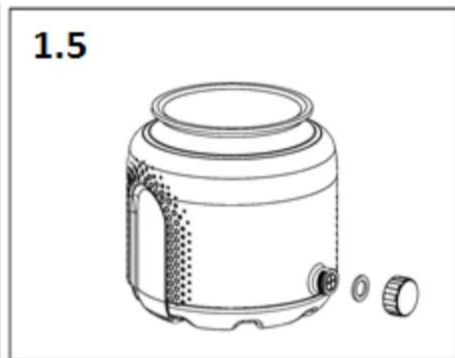
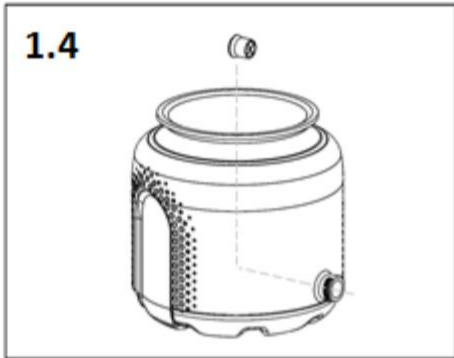
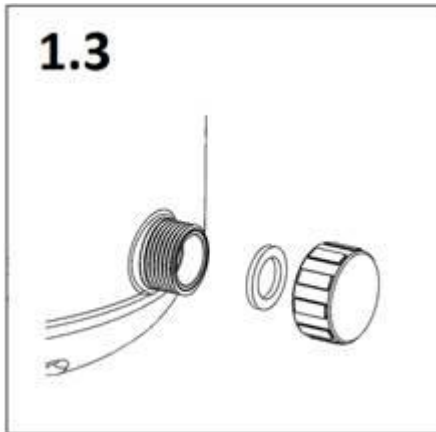
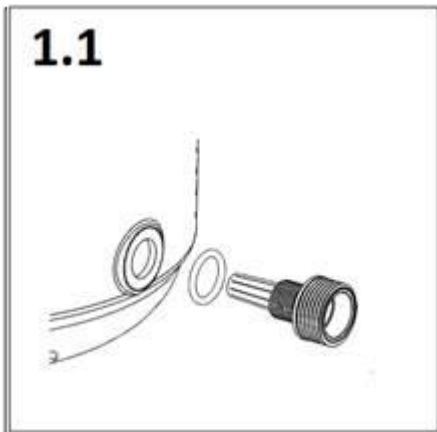
## Pruebas del producto

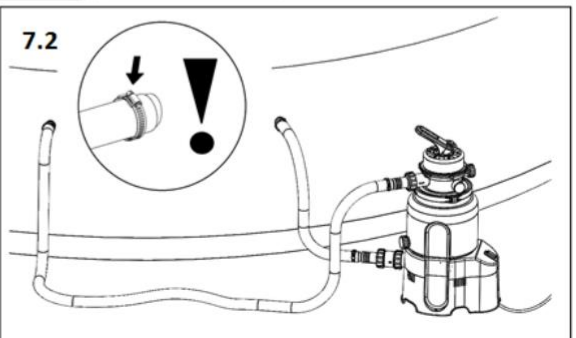
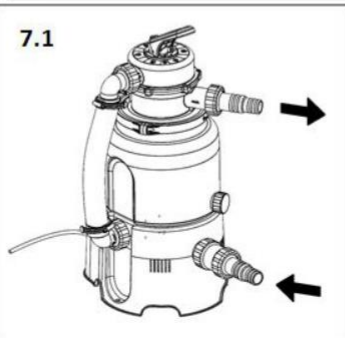
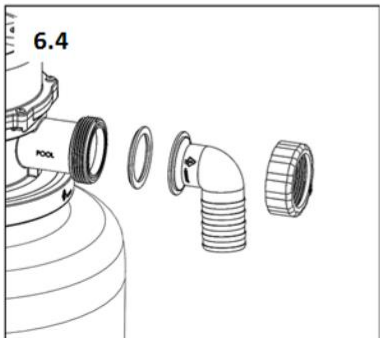
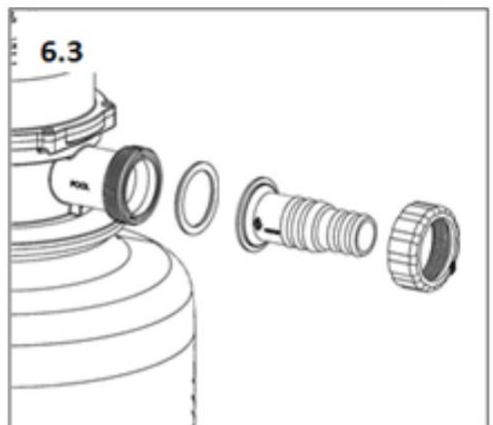
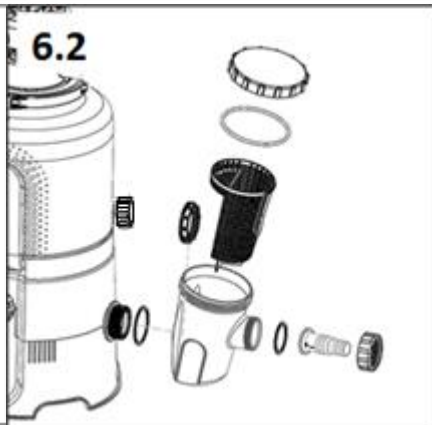
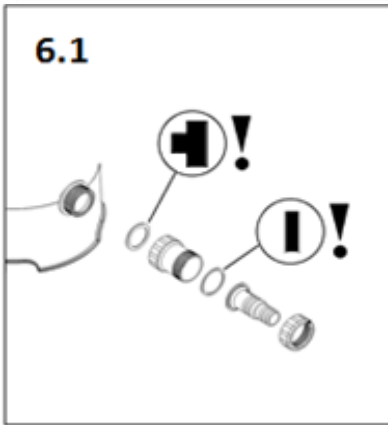
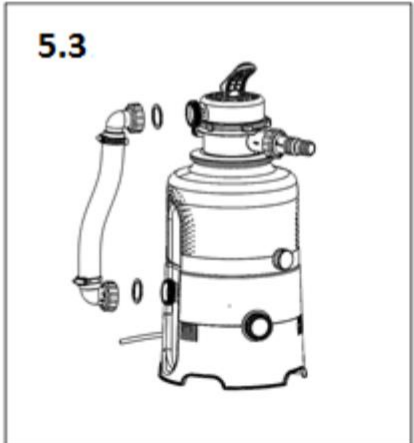
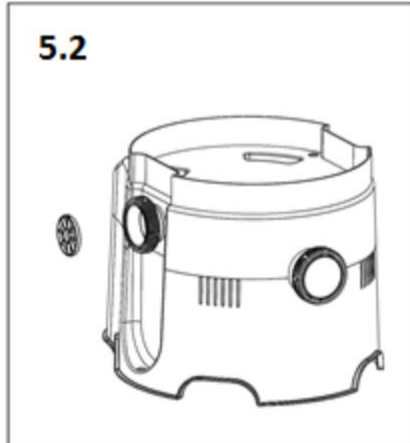
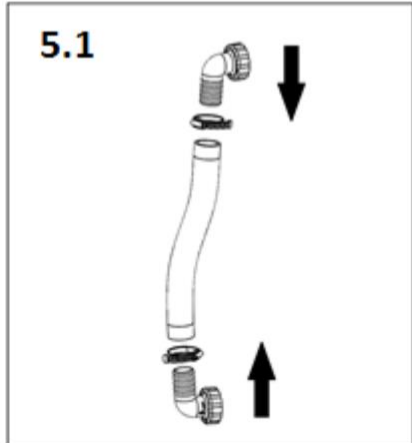
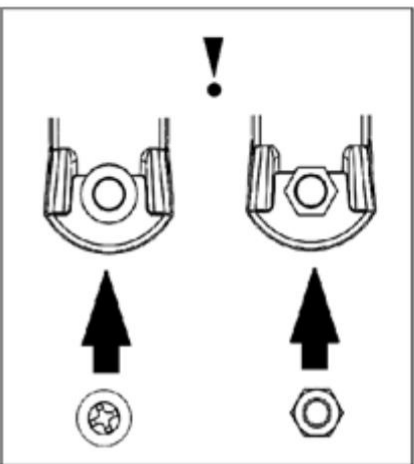
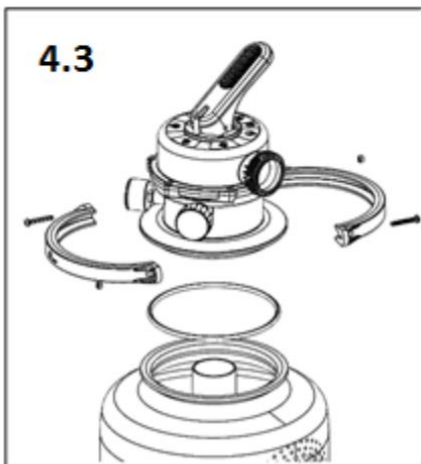
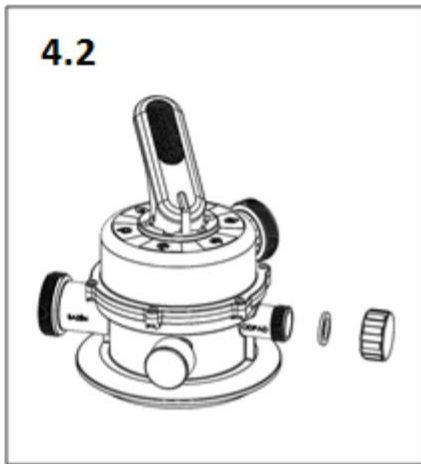
El producto está sujeto a la norma EN 60335-2-41, también cumple con los requisitos de las Directivas 2006/42/EC (Directiva de maquinaria), 2014/30/UE (Compatibilidad electromagnética), 2014/35/EU (Equipos eléctricos) y RoHS sobre el contenido de sustancias peligrosas en equipos eléctricos.

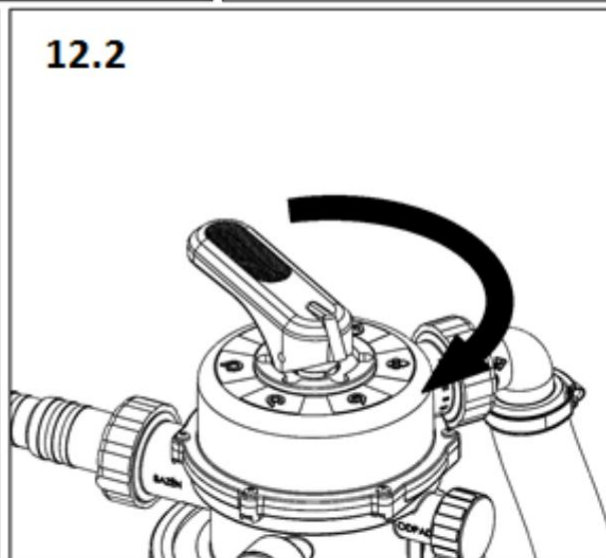
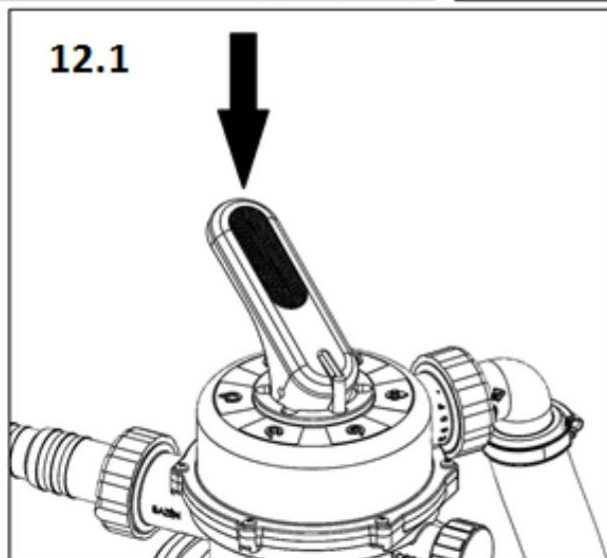
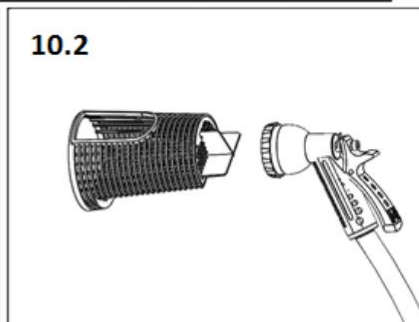
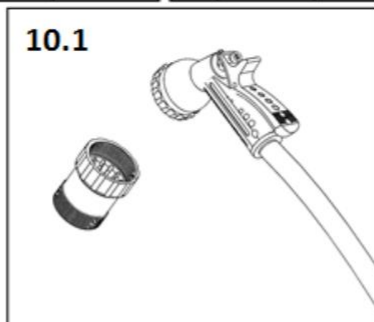
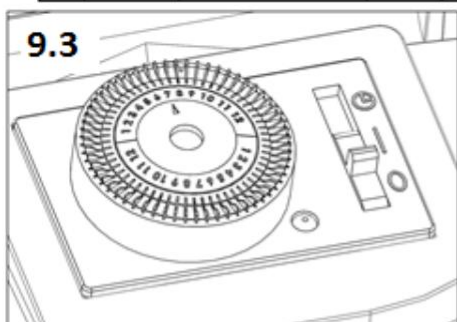
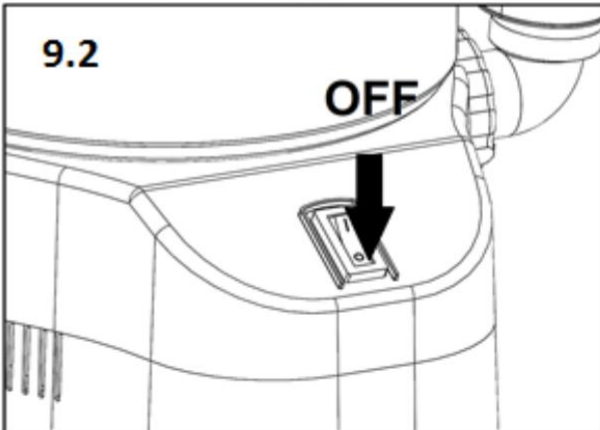
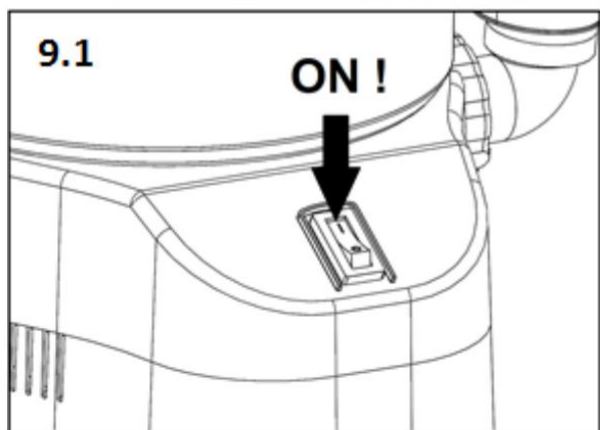
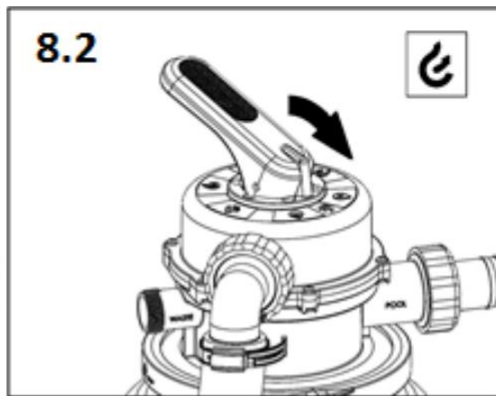
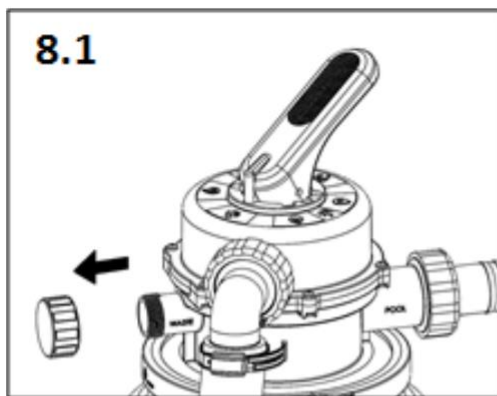
El producto fue probado en Státní zkušebna strojů a.s. (Laboratorio Estatal de Pruebas).

## Solución de problemas

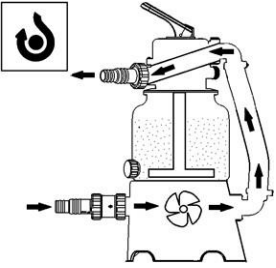
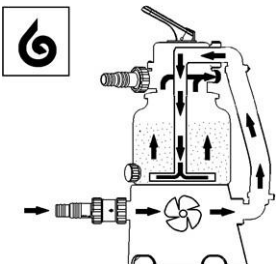
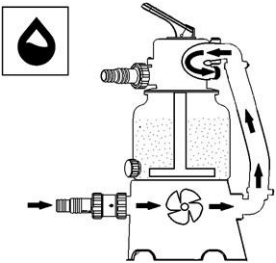
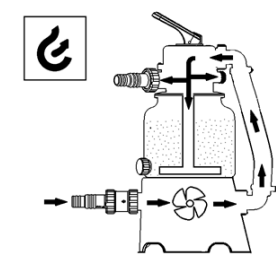
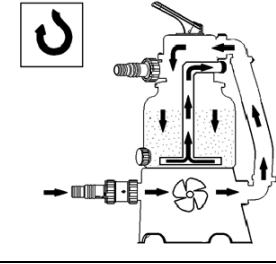
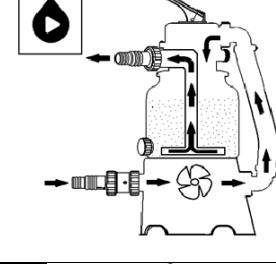
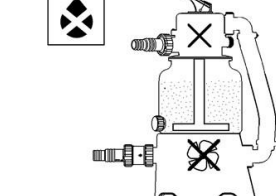
Flujo bajo o ninguno	El filtro no ha sido purgado	Purgue el filtro
	Palanca de la válvula en la posición CERRADA	Gire a la posición de FILTRACIÓN
	Arena muy sucia	Realice el ENJUAGUE o cambie la arena
	Prefiltro obstruido	Desmonte y enjuague el prefiltro
	Skimmer obstruido	Desmonte y enjuague el cesto del skimmer
	Filtro dañado	Póngase en contacto con el servicio técnico
La arena entra en la piscina	Manipulación con la palanca de la válvula con el filtro encendido	Apague el filtro antes de manipular con la palanca
	Tamaño de grano pequeño de arena de filtrado	El tamaño de grano recomendado es de 0,6 a 1,2 mm
	Alto nivel de arena en el recipiente	Reduzca el nivel de arena en el recipiente
La bomba aspira aire (hay burbujas en el sistema)	Juntas insuficientemente apretadas	Apriete suavemente las tuercas de unión
	Fuga en las conexiones del prefiltro	Vuelva a sellar las juntas
	Sello dañado	Compruebe los sellos en las juntas "delante" de la bomba
Fuga de agua del equipo	Junta no estanca	Apriete/vuelva a sellar las juntas
	Sello dañado	Compruebe el sello
El agua de la piscina no se puede limpiar	Tratamiento químico insuficiente del agua	Compruebe el valor de pH y el contenido de cloro en el agua
	Tiempo de filtración insuficiente	Incrementa el tiempo de filtración







## Posiciones de la válvula

	<p><b>BYPASS:</b> El agua fluye a través del equipo fuera de la carga de arena.</p>
	<p><b>ENJUAGUE:</b> El agua fluye a través de la carga de arena en la dirección opuesta, por lo que elimina la suciedad, el agua no regresa a la piscina, sale por el cuello "DESAGÜE"- ¡Quite el tapón!</p>
	<p><b>DESAGÜE:</b> El agua fluye fuera de la carga de arena hacia el cuello "DESAGÜE" - ¡Quite el tapón! La posición sirve para bajar el nivel del agua en la piscina o para aspirar la suciedad más gruesa.</p>
	<p><b>PURGA/PREPARACIÓN PARA EL INVIERNO:</b> En esta posición la válvula es transitable en todas las direcciones, el aire que escapa permitirá que la cámara de la bomba se inunde espontáneamente. La posición también se utiliza para la preparación para el invierno o el apagado a largo plazo del filtro.</p>
	<p><b>LAVADO:</b> La posición se utiliza durante la primera puesta en marcha con una nueva carga de arena o después de realizar un "ENJUAGUE", la arena en movimiento se asienta y la suciedad residual se enjuaga a través del cuello "DESAGÜE" - ¡Quite el tapón!</p>
	<p><b>FILTRACIÓN:</b> Posición principal de la válvula, el agua se filtra a través de la carga de arena y se devuelve a la piscina.</p>
	<p><b>CERRADO:</b> ¡No encienda el equipo!</p>



# Песочный фильтр

Руководство по установке,  
монтажу и эксплуатации  
(оригинальное руководство по  
эксплуатации)



**ПЕРЕД УСТАНОВКОЙ ДАННОГО ИЗДЕЛИЯ И ЕГО ИСПОЛЬЗОВАНИЕМ  
ВНИМАТЕЛЬНО ПРОЧТИТЕ НАСТОЯЩЕЕ РУКОВОДСТВО, РАЗБЕРИТЕСЬ В  
ЕГО СОДЕРЖАНИИ И СОБЛЮДАЙТЕ ВСЕ  
ЕГО ПОЛОЖЕНИЯ. СОХРАНИТЕ НАСТОЯЩЕЕ РУКОВОДСТВО ДЛЯ  
ПОСЛЕДУЮЩЕГО ПОЛЬЗОВАНИЯ.**

## Общие положения

Для АО «Mountfield a.s.» составило ООО «Garsys s.r.o.», место нахождения: Průmyslová zóna u dolu František, ulice K Prádlu, 735 Horní Suchá, 735 35; страна происхождения: Чешская Республика.

## Правила техники безопасности



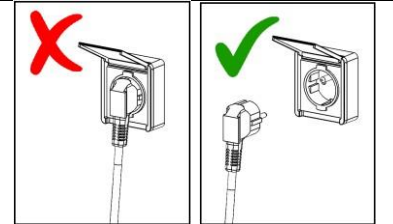
В настоящем руководстве данным символом обозначены те указания, при несоблюдении которых может быть поставлено под угрозу здоровье персонала.



В настоящем руководстве данным символом обозначены те указания, при несоблюдении которых грозит удар электрическим током.



**ПРИ ЛЮБЫХ ОПЕРАЦИЯХ С  
УСТРОЙСТВОМ ИЛИ ПРИ КУПАНИИ В  
БАССЕЙНЕ ОТКЛЮЧИТЕ ЕГО ОТ  
ЭЛЕКТРОСЕТИ**

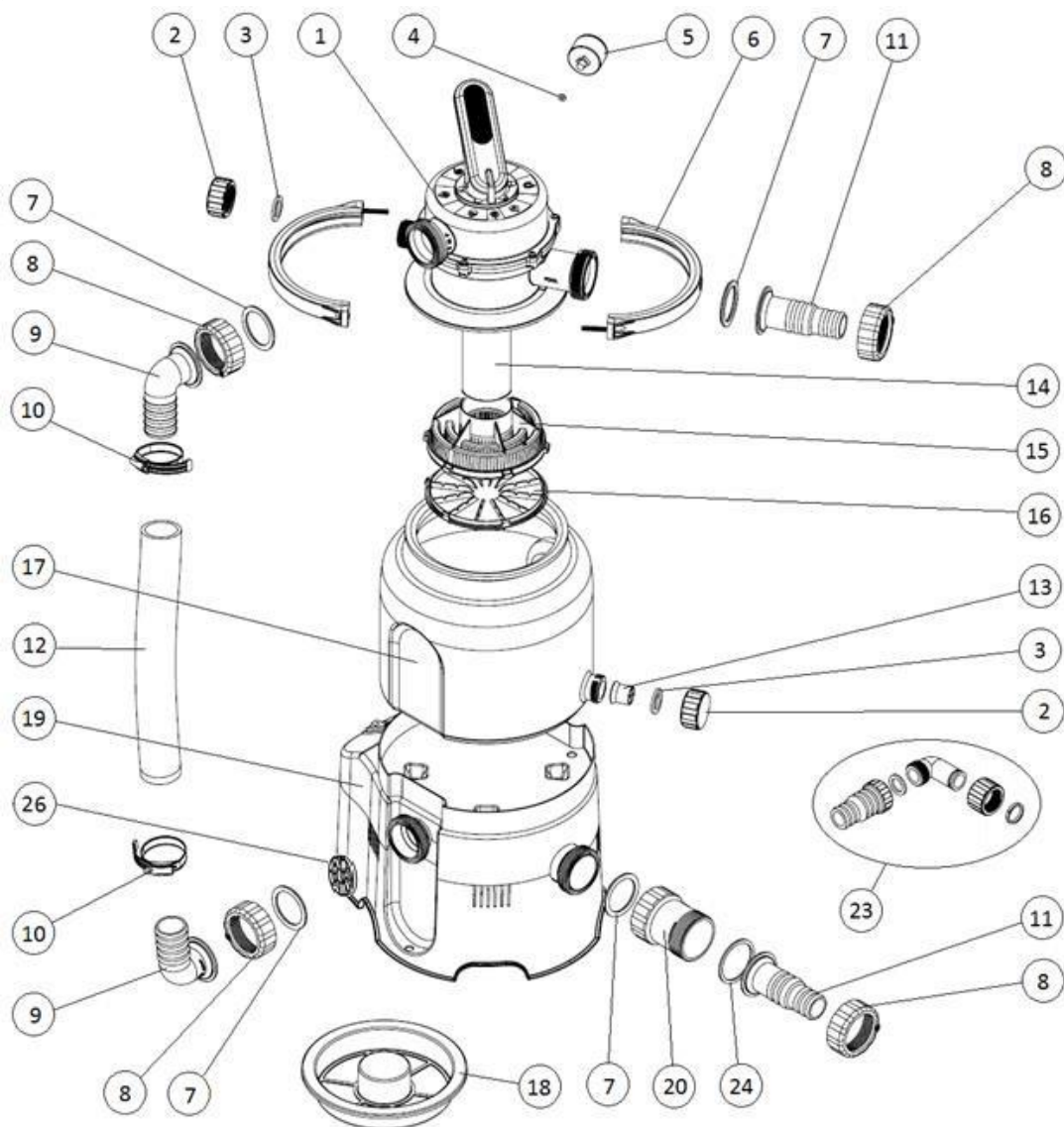


**ПРОЧТИТЕ НАСТОЯЩЕЕ РУКОВОДСТВО И СОБЛЮДАЙТЕ ЕГО ПОЛОЖЕНИЯ**  
Несоблюдение положений данного руководства может привести к травме или даже смерти в результате удара электрическим током.

- Устройство может использоваться детьми в возрасте от 8 лет и старше, а также лицами с ограниченными физическими, сенсорными или умственными способностями или отсутствием опыта и знаний при условии, что они находятся под присмотром компетентного взрослого или прошли инструктаж по безопасному использованию устройства и понимают потенциальную опасность. Дети не должны играть с устройством. Не разрешайте детям проводить его чистку или техобслуживание без присмотра.
- Подключайте устройство только к источнику питания, соответствующему стандарту ČSN, включайте в штепсельную розетку, расположенную на расстоянии не менее 3,5 м от бассейна и защищенную автоматическим выключателем с номинальным током отключения не более 30 мА.
- Устройство включайте непосредственно в штепсельную розетку. При использовании удлинителя используйте только тот, который соответствует требованиям ČSN для наружного применения.
- Не пытайтесь вставлять вилку сетевого шнура в розетку или извлекать ее, если у Вас мокрые руки или если Вы стоите в воде.
- Расположите устройство так, чтобы оно не могло быть использовано в качестве вспомогательного средства для детей при входе в бассейн.
- Держите детей на безопасном расстоянии от устройства и шнура питания. Не позволяйте детям играть с устройством.
- Не закапывайте сетевой шнур в землю, предотвратите его повреждение. Расположите его так, чтобы его не могли повредить газонокосилки, ножницы для живой изгороди или аналогичное оборудование.
- Обеспечьте доступ к вилке шнура питания для немедленного отключения устройства от электросети.
- Отключите оборудование от электросети до того, как люди войдут в бассейн. Запрещается использовать устройство, когда в бассейне находятся люди.
- Никогда не эксплуатируйте устройство без воды.
- Никогда не используйте поврежденное или некомплектное оборудование. Неисправности немедленно устраняйте. При техническом обслуживании и ремонте используйте оригинальные запасные части.

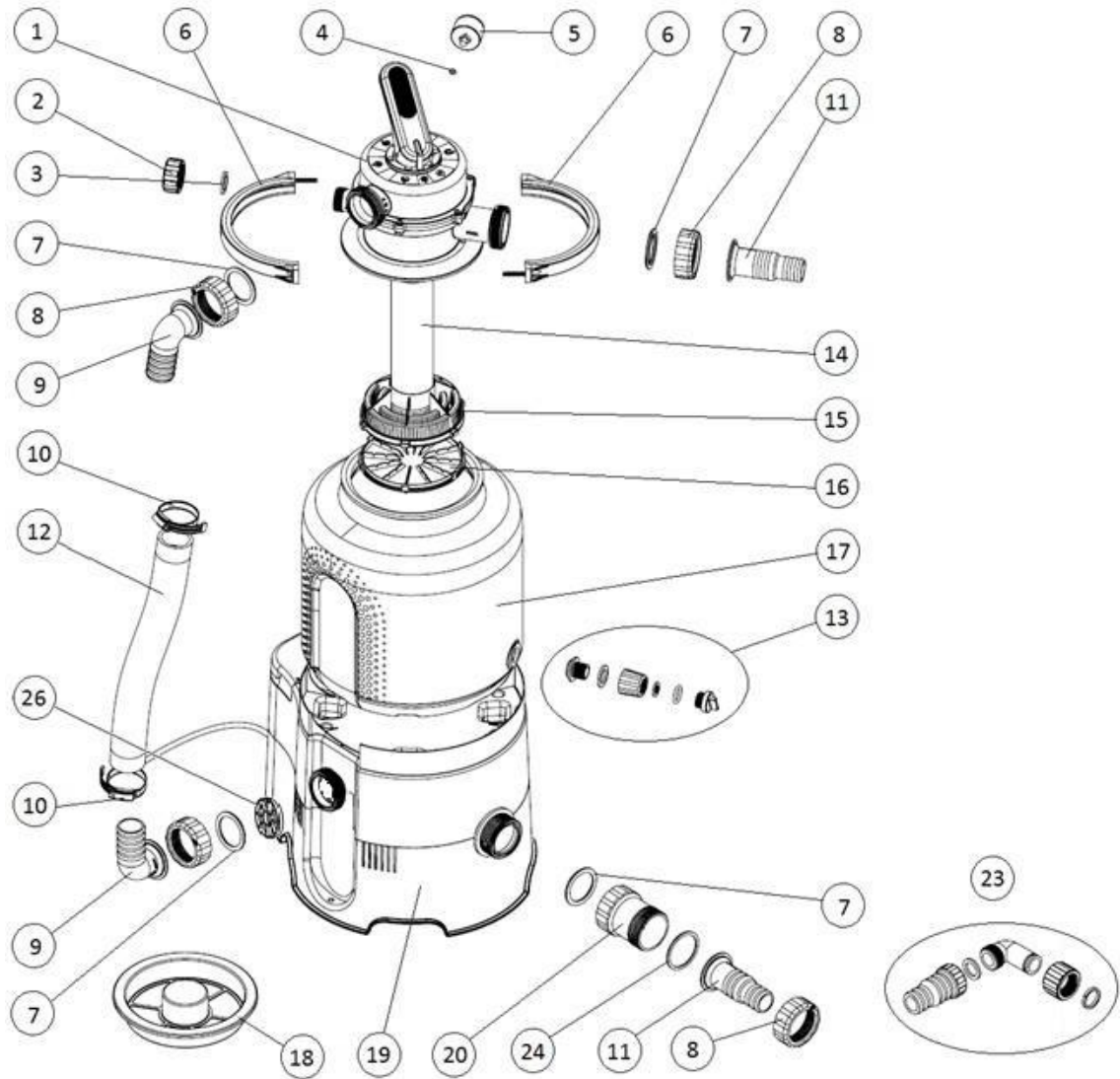
- Никогда не включайте устройство, если шестиходовой клапан находится в положении ЗАКРЫТО или если трубопровод в системе циркуляции заблокирован; это может привести к повреждению, разрыву или отрыву крышки шестиходового клапана, что может вести к травмам или материальному ущербу.
- Регулярно проверяйте степень загрязнения фильтра и очищайте фильтр предварительной очистки насоса и корзину скиммера, чтобы предотвратить повреждение насоса и обеспечить надлежащую работу системы.
- Уровень акустического давления A в досягаемости пользователя не должен превышать 70 дБ (A).

## Перечень деталей – AZURO 2m<sup>3</sup>/h



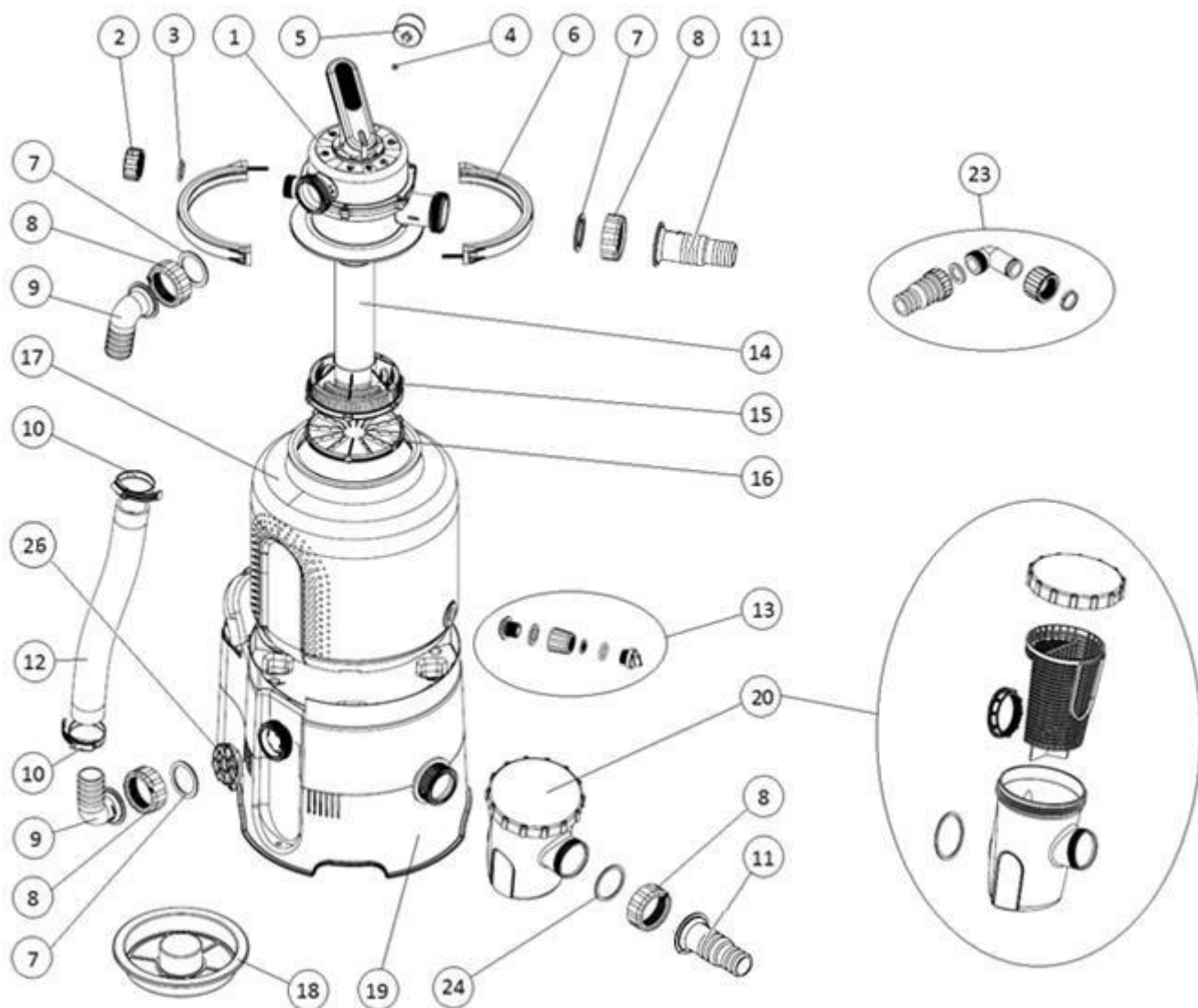
Позиция	Название	Количество	Позиция	Название	Количество
1	Многоходовой клапан	1	14	Впускная трубка	1
2	Пробка	2	15	Впускная корзина	1
3	Плоское уплотнение пробки	2	16	Дно впускной корзины	1
4	Плоское уплотнение манометра	1	17	Емкость	1
5	Манометр	1	18	Загрузочная воронка	1
6	Обойма клапана 1/2, вкл. соед. материал	2	19	Основание с насосом	1
7	Профилированное уплотнение насадок для шлангов и коленьев	4	20	Фильтр предварительной очистки	1
8	Накидная гайка насадок для шлангов и коленьев	4	21	Шланги для бассейна, 3 части	2
9	Колено D38	2	22	Хомут для шланга 25–40	4
10	Хомут для шланга 40–60	2	23	Сливной комплект	1
11	Насадка D32/38	2	24	Плоское уплотнение фильтра предварительной очистки	1
12	Соединительный шланг	1	25	Тефлоновая лента	1
13	Ситечко для слива	1	26	Защитная решетка от попадания инородных тел	1

## Перечень деталей – AZURO 4m<sup>3</sup>/h (T)



Позиция	Название	Количество	Позиция	Название	Количество
1	Многоходовой клапан	1	14	Впускная трубка	1
2	Пробка	1	15	Впускная корзина	1
3	Плоское уплотнение пробки	1	16	Дно впускной корзины	1
4	Плоское уплотнение манометра	1	17	Емкость	1
5	Манометр	1	18	Загрузочная воронка	1
6	Обойма клапана 1/2, вкл. соед. материал	2	19	Основание с насосом	1
7	Профилированное уплотнение насадок для шлангов и коленьев	4	20	Фильтр предварительной очистки	1
8	Накидная гайка насадок для шлангов и коленьев	4	21	Шланги для бассейна, 3 части	2
9	Колено D38	2	22	Хомут для шланга 25–40	4
10	Хомут для шланга 40–60	2	23	Сливной комплект	1
11	Насадка D32/38	2	24	Плоское уплотнение фильтра предварительной очистки	1
12	Соединительный шланг	1	25	Тефлоновая лента	1
13	Сливное резьбовое соединение	1	26	Защитная решетка от попадания инородных тел	1

## Перечень деталей – AZURO 6m<sup>3</sup>/h (T)



Позиция	Название	Количество	Позиция	Название	Количество
1	Многоходовой клапан	1	14	Впускная трубка	1
2	Пробка	1	15	Впускная корзина	1
3	Плоское уплотнение пробки	1	16	Дно впускной корзины	1
4	Плоское уплотнение манометра	1	17	Емкость	1
5	Манометр	1	18	Загрузочная воронка	1
6	Обойма клапана 1/2, вкл. соед. материал	2	19	Основание с насосом	1
7	Профилированное уплотнение насадок для шлангов и коленьев	4	20	Фильтр предварительной очистки	1
8	Накидная гайка насадок для шлангов и коленьев	4	21	Шланги для бассейна, 3 части	2
9	Колено D38	2	22	Хомут для шланга 25-40	4
10	Хомут для шланга 40-60	2	23	Сливной комплект	1
11	Насадка D32/38	2	24	Плоское уплотнение фильтра предварительной очистки	1
12	Соединительный шланг	1	25	Тефлоновая лента	1
13	Сливное резьбовое соединение	1	26	Защитная решетка от попадания инородных тел	1

## Назначение

Это фильтрующее устройство предназначено для фильтрации воды в сезонных наземных бассейнах. Оно не предназначено для бассейнов, используемых круглогодично. Насос фильтра не является самовсасывающим, поэтому фильтр должен быть установлен ниже уровня воды в бассейне, с подачей в него воды под воздействием гравитации.

**ПРЕДУПРЕЖДЕНИЕ:** Рисунки в данном руководстве носят иллюстративный характер и могут отличаться от реально поставляемого изделия. Мы оставляем за собой право полностью или частично менять устройство изделия без предварительного уведомления.

### **Условия использования фильтра:**

- величина pH воды = 6–8,5;
- содержание хлора в воде макс. 10 мг/л;
- содержание растворенной соли макс. 0,5%.

## Перед вводом в эксплуатацию

Распакуйте все компоненты перед сборкой и вводом устройства в эксплуатацию.

Оставьте безопасное расстояние между фильтрующим устройством и окружением, чтобы обеспечить доступ к оборудованию.

Фильтр должен быть установлен на основании (например, на бетонной плите и т. п.). Панель должна быть уложена и выровнена с помощью ватерпаса. Оборудование не должно стоять в траве – риск перегрева насоса.

Предотвратите затопление устройства водой. Затопление может привести к повреждению оборудования или к опасности удара электрическим током.

Если бассейн частично или полностью заглублен, фильтрующее устройство должно быть помещено в фильтровальный колодец, который будет соединен с бассейном. Если Ваш фильтр будет размещен в колодце, убедитесь в том, что он не может быть затоплен водой. Во избежание этого рекомендуется заполнить колодец гравием, который сможет поглотить небольшое количество утекающей воды перед ее сливом непосредственно в канализацию. Важно обеспечить вентиляцию колодца, так как конденсат может повредить оборудование.

Необходимые принадлежности, такие как дополнительные шланги, шланговые хомуты и фильтрующий песок (не входят в комплект поставки), имеются у продавца.



**Фильтр не должен работать всухую (без воды)!!! Если фильтр используется таким образом, гарантия аннулируется.**

## Технические данные

	<b>SWING PLUS 10</b>	<b>SWING PLUS 14 (Т)</b>	<b>SWING PLUS 18 (Т)</b>
Напряжение	230 В / 50 Гц	230 В / 50 Гц	230 В / 50 Гц
Потребляемая мощность	85 Вт	190 Вт	250 Вт
Прохождение через систему	2 м <sup>3</sup> /ч	4 м <sup>3</sup> /ч	5 м <sup>3</sup> /ч
Степень защиты оболочки	IP X5	IP X5	IP X5
Отвод	1,5 м	1,5 м	1,5 м
Диаметр фильтра	143 мм	143 мм	143 мм
Рабочая поверхность фильтра	0,036 м <sup>2</sup>	0,036 м <sup>2</sup>	0,036 м <sup>2</sup>
Рабочее давление	0,2 бар	0,3 бар	0,5 бар
Максимальное рабочее давление	0,4 бар	0,6 бар	1,0 бар
Максимальная температура воды	35 °С	35 °С	35 °С
Песок	10 кг	14 кг	18 кг
Зернистость	0,6–1,2 мм	0,6–1,2 мм	0,6–1,2 мм



**Защищайте окружающую среду!** Не выбрасывайте данное устройство в контейнер с бытовыми отходами. Изделие содержит электрические и электронные детали. Согласно Европейской директиве 2012/19/EU, электрическое и электронное оборудование по окончании срока службы не должно выбрасываться в бытовые отходы; его необходимо сдавать для экологически безопасной утилизации в специально отведенные для этого пункты приема вторичного сырья. Информацию об этих пунктах предоставляет администрация населенного пункта.



## **Сборка устройства**

**Примечание:** Поскольку все соединения имеют уплотнения, нет необходимости в чрезмерном затягивании гаек. При чрезмерном их затягивании можно повредить пластмассовые детали.

**Примечание:** Для сборки вам понадобятся крестовая и плоская отвертки, а также шестигранный инбусовый ключ 10.

### **8. Установка на емкости сливного резьбового соединения**

Вставьте изнутри в сливное отверстие емкости контрдеталь с резьбой (**РИС. 1.1**). Наденьте на выступающую резьбу уплотнение и навинтите патрубок (**РИС. 1.2**). В него вставьте ситечко, задерживающее песок. Вдавите ситечко внутрь, вкрутив пробку с уплотнительным кольцом (**РИС. 1.3**). Для плотного соединения его достаточно затянуть рукой. При использовании пассатижей или клещей можно повредить детали.

#### **8.A При емкости объемом 10 л со сливным патрубком действуйте следующим образом:**

Вставьте изнутри в сливное отверстие емкости ситечко для слива (**РИС. 1.4**). На горловину с резьбой навинтите пробку с уплотнением (**РИС. 1.5**). Для плотного соединения его достаточно затянуть рукой. При использовании пассатижей или клещей можно повредить детали.

### **9. Сборка впускной корзины**

Соедините нижнюю часть всасывающей корзины с ее корпусом, защелкнув 6 замков по ее периметру. Вставьте в собранную корзину всасывающую трубу (**РИС. 2.1**). Блок вставьте в пустую емкость (**РИС. 2.2**), зафиксируйте его положение, вставив загрузочную воронку (**РИС. 2.3**). Теперь емкость готова к наполнению песком.

### **10. Наполнение песком**

Перед засыпкой песка рекомендуется установить емкость на основание вместе с насосом. Последующее перемещение наполненной емкости затруднено, она тяжелая. Боковые впадины на контейнере должны быть совмещены с впадинами на основании, сливной штуцер должен быть направлен в сторону от выключателя (**РИС. 3.1**).

Установив загрузочную воронку, заполните емкость необходимым количеством песка (**РИС. 3.2**). Уровень песка в емкости должен достигать верха боковых впадин (**РИС. 3.3**). Теперь снимите загрузочную воронку и удалите песчинки или другой мусор с уплотнительной плоскости горловины емкости.

### **11. Монтаж многоходового клапана**

Установите уплотнительное кольцо снизу клапана и поместите клапан на горловину наполненной емкости. Поверните клапан так, чтобы его горловина PUMP / HACOS была ориентирована в том же направлении, что и выпуск насоса в емкости. После этого установите на крепление емкости и клапана обе половинки обоймы, соедините винты (**РИС 4.3**) и равномерно их затяните.

Вставьте небольшую резиновую прокладку в отверстие манометра и навинтите его корпус (**РИС. 4.1**), слегка затянув рукой.

**!!! Уделяйте особое внимание правильному ввинчиванию во избежание повреждения мелкой резьбы!!!**

На горловину WASTE / ODPAD навинтите пробку с уплотнением (**РИС. 4.2**).

### **12. Установка соединительного шланга**

Наденьте хомуты на шланг, заправьте колена в оба конца шланга вместе с накидными гайками (**РИС. 5.1**). Вставьте решетку для защиты от твердого мусора в боковой выход насоса (**РИС. 5.2**), присоедините подготовленный шланг к этому выходу и к горловине клапана PUMP / HACOS с помощью накидных гаек и прокладок (**РИС. 5.3**).

**!!! Затягивайте хомуты шланга только после затяжки гаек его хомутов!!!**

### **13. Установка фильтра предварительной очистки и насадок для шлангов**

Установите прозрачный фильтр предварительной очистки на впускную горловину насоса, после этого на фильтр предварительной очистки установите насадку для шланга (**РИС. 6.1**).

**!!! Следите за формой используемого уплотнения!!!**

#### **13.A При использовании устройства SWING PLUS 18 с большим фильтром предварительной очистки действуйте следующим образом:**

Установите корпус фильтра предварительной очистки с уплотнением на горловину насоса и

зафиксируйте его накидной гайкой внутри фильтра предварительной очистки, вставьте в него корзину для сбора мусора и закройте крышкой с уплотнительным кольцом. К горловине при помощи накидных гаек присоедините насадки для крепления шлангов (**РИС. 6.2**).

**!!! Следите за формой используемого уплотнения!!!**

К патрубку клапана «POOL / БАСЕЙН» привинтите вторую соединительную насадку для шланга (**РИС. 6.3**).

#### **14. Присоединение устройства к бассейну – см. РИС. 7.1, РИС. 7.2**

Присоедините устройство к бассейну с помощью соответствующих шлангов и хомутов.

## Работа устройства

### 6. Наполнение насоса водой / выпуск воздуха

Снимите пробку с патрубка «СЛИВ / WASTE» (РИС. 8.1), установите рычаг клапана в положение ДЕАЭРАЦИЯ и подождите, пока вода не начнет вытекать из патрубка (РИС. 8.2). Теперь переместите рычаг клапана в положение ЗАКРЫТО и закрутите пробку обратно. Теперь переместите рычаг клапана в положение ФИЛЬТРАЦИЯ. Можно начать фильтрацию.

Перед первым использованием или после замены песка сначала промойте песок.

### 7. Пуск

Кулисным переключателем на задней панели фильтра запустите устройство.

ВКЛЮЧЕНО – РИС. 9.1

ВЫКЛЮЧЕНО – РИС. 9.2



**Перед включением устройства в сеть проверьте положение клапана!**

**Никогда не включайте устройство, если шестиходовой клапан находится в положении ЗАКРЫТО или если трубопроводы в системе циркуляции непроходимы.**

### 2.A Фильтр SWING с обозначением «Т» снабжен таймером (РИС. 9.3):

Используйте ползунковый переключатель для выбора нужной функции. Таймер может быть настроен на интервал 20 минут при 24-часовом цикле. Один упор соответствует 20 мин., 3 упора = 1 час. Контрольный светодиод указывает на работу устройства.

### 8. Использование

Установите клапан в положение ФИЛЬТРАЦИЯ и включите устройство. Регулярно проверяйте фильтрационный поток (давление на манометре) и промывайте песок в зависимости от полученных значений.

Рекомендуется установить график фильтрации с учетом размера бассейна и его использования. Необходимым условием правильной фильтрации является фильтрация воды в бассейне по крайней мере один раз в день. Таким образом, минимальное время фильтрации определяется соотношением объема бассейна и скорости потока фильтрации.

*Пример: Для бассейна объемом 10 м<sup>3</sup> и фильтра SWING PLUS 10 с пропускной способностью 2 м<sup>3</sup>/ч это 5 часов.*

### 9. Чистка фильтра предварительной очистки

Очистите фильтр предварительной очистки струей воды при его видимом загрязнении или ограничении функции фильтрации (РИС. 10.1). При использовании фильтра SWING PLUS 18 промойте внутреннюю фильтрующую корзину (РИС. 10.2).

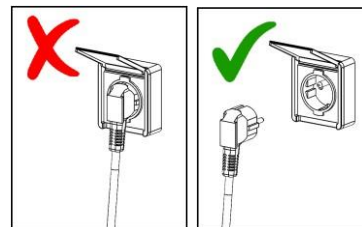
### 10. Промывка песка

Вы можете определить необходимость промывки фильтрующего материала по давлению в емкости. После первого запуска с чистым фильтрующим песком зафиксируйте величину давления; если давление увеличивается более чем на одну единицу шкалы, песок необходимо ПРОМЫТЬ (2–3 мин.) + ПРОПОЛОСКАТЬ (около 30 сек.) – см. «Положения клапана». При ежедневной фильтрации рекомендуется промывать песок не реже одного раза в неделю.

Для таких функций фильтрации, как ПРОМЫВКА, ПРОПОЛАСКИВАНИЕ и СЛИВ можно использовать комплект для слива – на выходе «СЛИВ / WASTE» ввинтите вместо пробки непосредственно насадку для крепления шланга или колесо с насадкой для сливного шланга.

**ПРИ СЛИВЕ ВОДЫ ЧЕРЕЗ ПАТРУБОК «СЛИВ/WASTE» УБЕДИТЕСЬ В ТОМ, ЧТО ВЫ СОБЛЮДАЕТЕ ВСЕ ПРЕДПИСАНИЯ ПО ОБРАЩЕНИЮ СО СТОЧНЫМИ ВОДАМИ. НЕ СЛИВАЙТЕ ВОДУ В МЕСТАХ, ГДЕ ОНА МОЖЕТ НАНЕСТИ УЩЕРБ. ПАТРУБОК «СЛИВ/WASTE» МОЖНО СНАБДИТЬ РЕЗЬБОВЫМ СОЕДИНЕНИЕМ ДЛЯ ПРИСОЕДИНЕНИЯ СЛИВНОГО ШЛАНГА. ВО ВРЕМЯ ФИЛЬТРАЦИИ ПАТРУБОК «СЛИВ/WASTE» МОЖЕТ БЫТЬ ЗАКРЫТ ПРОБКЕЙ.**

## Управление многоходовым клапаном



**Всегда отключайте устройство от электросети перед изменением положения клапана.** Подождите примерно полминуты после выключения насоса перед началом работы – это позволит осесть грязи и песку.

Рычаг переместите вниз (РИС. 12.1) и поверните в требуемое положение (РИС. 12.2).

## Уход за устройством

Видимые нечистоты удаляются системой фильтрации. Однако это не относится к водорослям, бактериям и микроорганизмам, которые постоянно препятствуют процессу достижения чистой и здоровой воды в бассейне. Для профилактики существует множество специальных средств, которые при правильной концентрации постоянно противодействуют вышеупомянутым угрозам Вашего бассейна и поддерживают воду в гигиеничном и чистом состоянии.

## Техническое обслуживание

В течение купального сезона регулярно проверяйте работу фильтрующего оборудования. Это важно, чтобы вовремя обнаружить и как можно быстрее устранить любые неисправности. Поставщик не несет ответственности за какой-либо косвенный ущерб, вызванный неисправностью блока фильтра или электропроводки.

Регулярно промывайте песок. Если после промывки прохождение воды в фильтре через песок не улучшается, т. е. давление на манометре после промывки остается высоким, замените песок.

Не очищайте крышку фильтра или саму емкость фильтра каким-либо растворителем, так как это может повредить ее поверхность (потеря глянца, прозрачности и т. д.).

## Подготовка к зиме

В конце купального сезона фильтр необходимо вычистить, слить из него воду, разобрать и убрать на хранение. Отсоедините фильтр от бассейна и слейте из него воду с помощью сливного клапана, расположенного на дне емкости фильтра.

Откройте емкость фильтра и извлеките из нее песок. Очистите песок и удалите из него все комки и комочки.

Песок в емкости

регулярно меняйте.

Соберите фильтр и поместите его на зиму в сухое помещение, в котором температура не опускается ниже нуля. Рычаг клапана переместите в положение ДЕАЭРАЦИЯ / ЗИМОВКА – данное положение используется во время зимнего перерыва в работе фильтра.

## Гарантийные условия и сервисное обслуживание

Гарантийные условия действуют таким образом, как это описано в Гарантийном талоне, выданном продавцом.

Если Вам потребуется совет, сервисное обслуживание или приобретение запасной части, обратитесь к своему продавцу. При техническом обслуживании и ремонте используйте оригинальные запасные части.

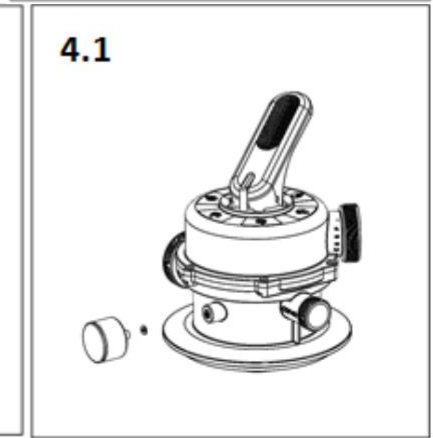
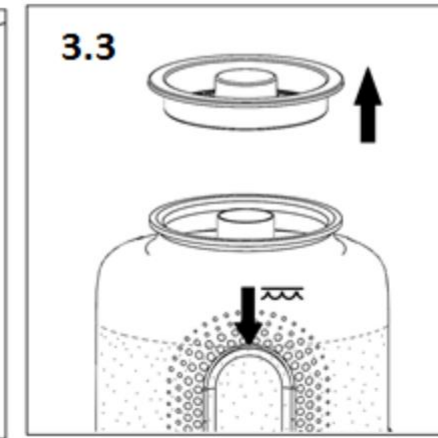
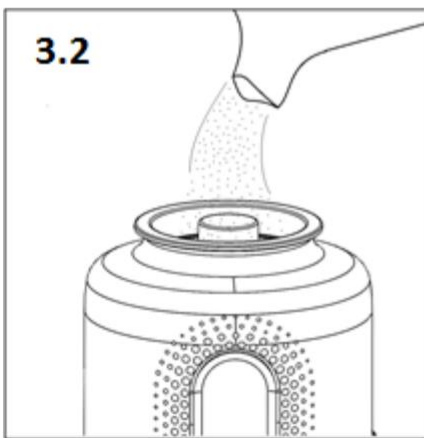
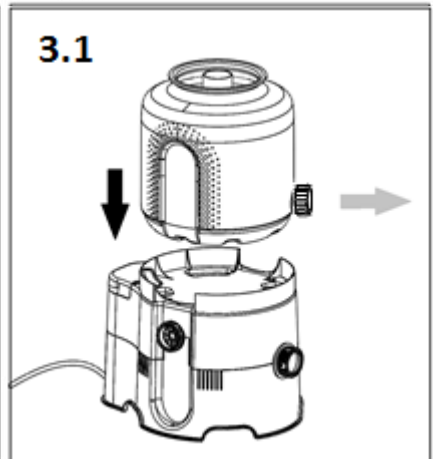
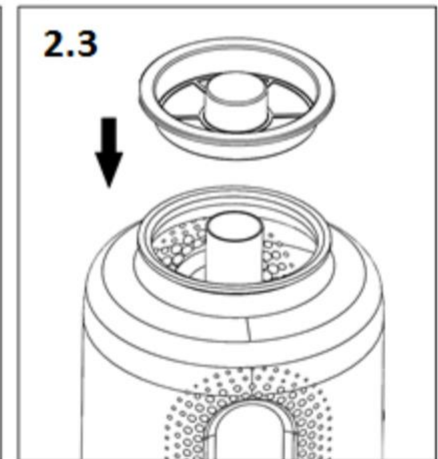
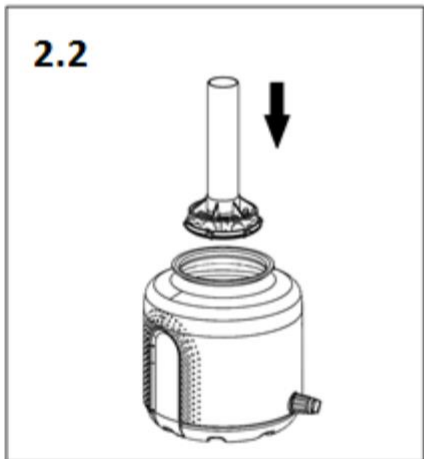
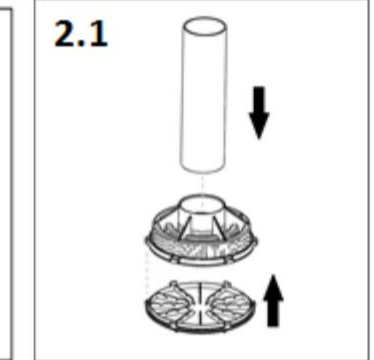
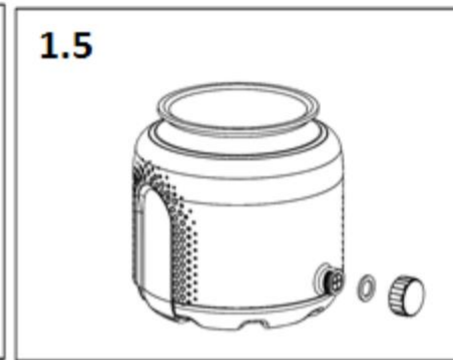
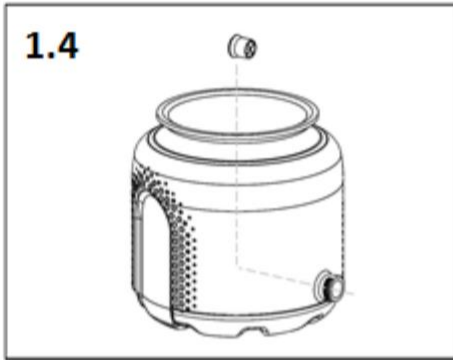
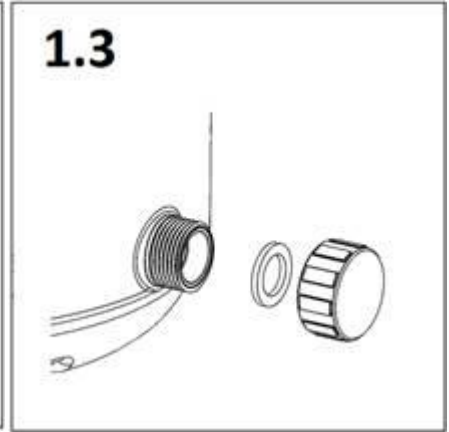
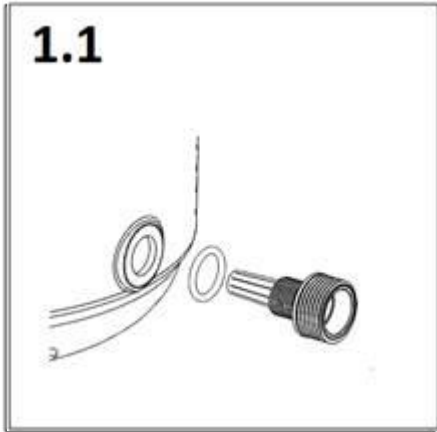
## Испытания изделия

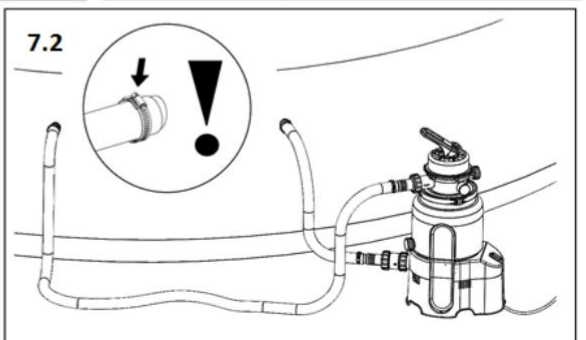
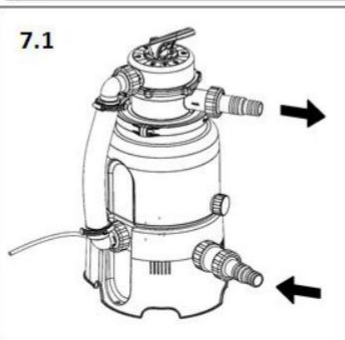
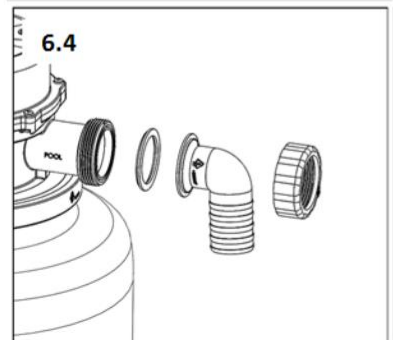
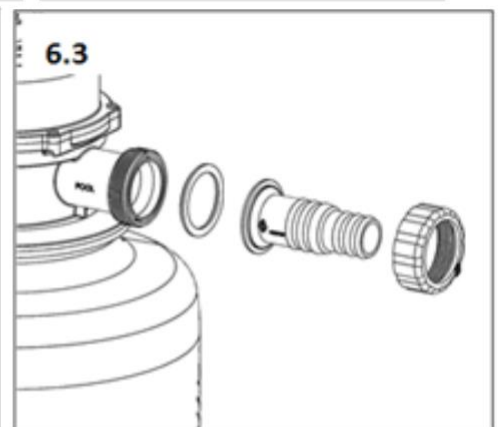
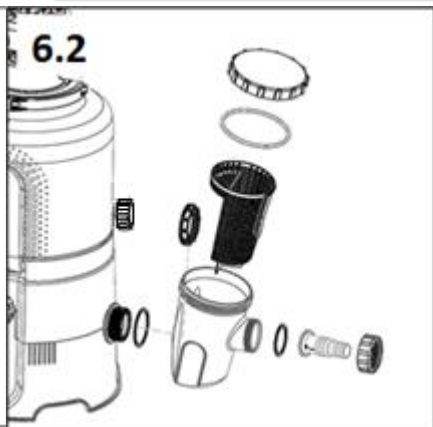
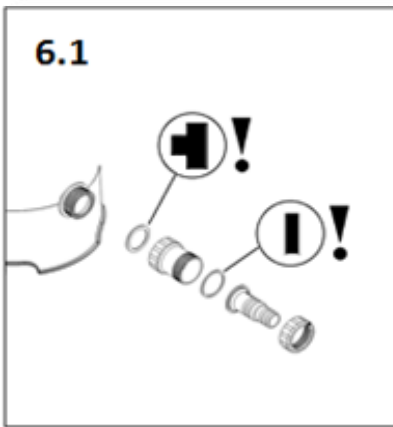
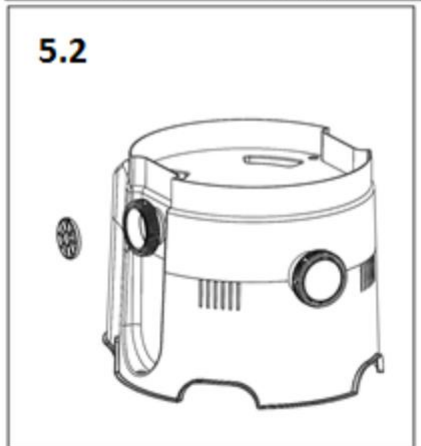
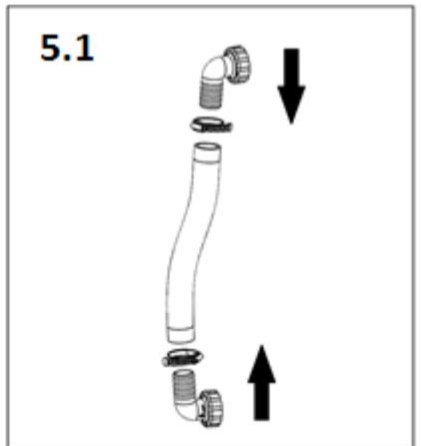
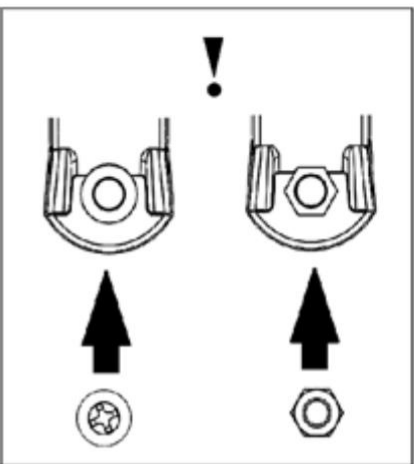
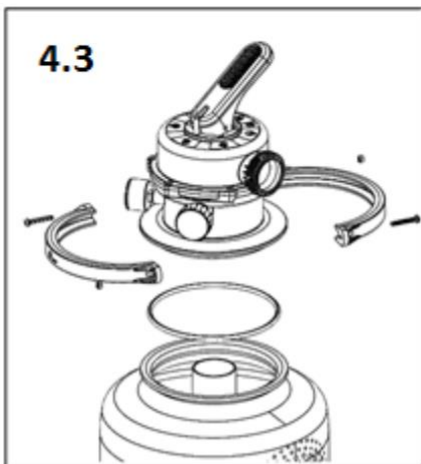
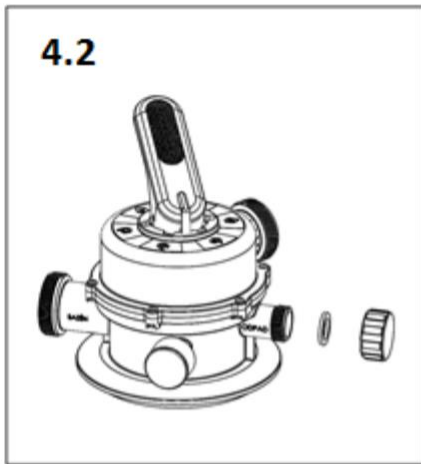
Изделие соответствует стандарту EN 60335-2-41, и требованиям директив: 2006/42/ES (Машинное оборудование), 2014/30/EU (Электромагнитная совместимость), 2014/35/EU (Электрооборудование), а также требованиям Директивы RoHS (Restriction of the use of certain Hazardous Substances in electrical and electronic equipment) по содержанию опасных веществ в электрооборудовании.

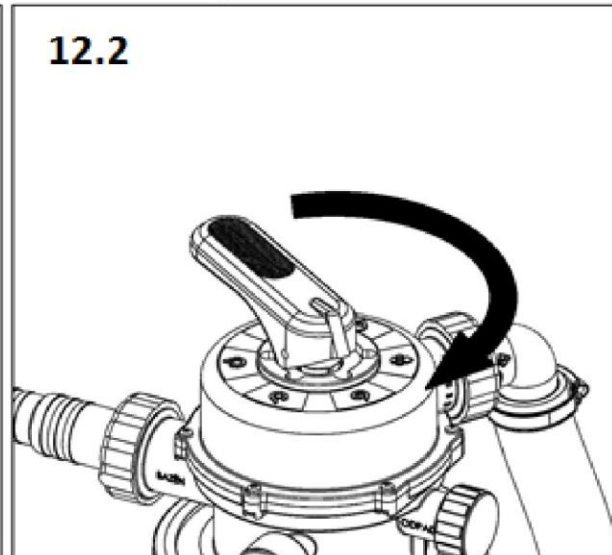
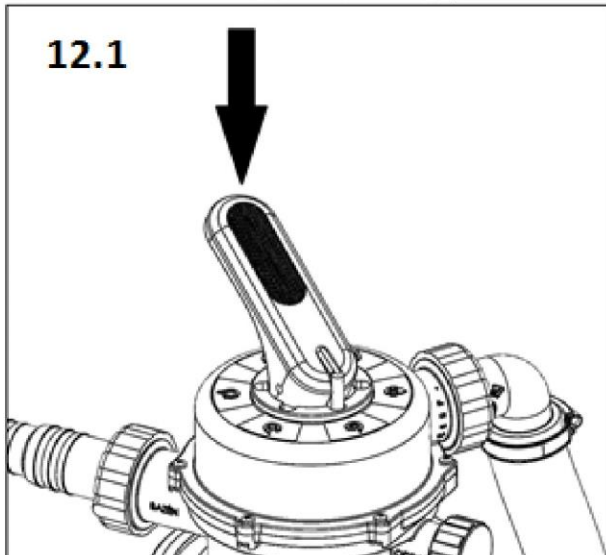
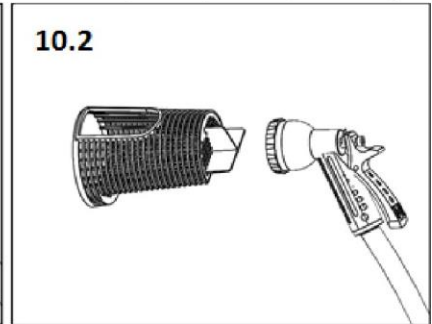
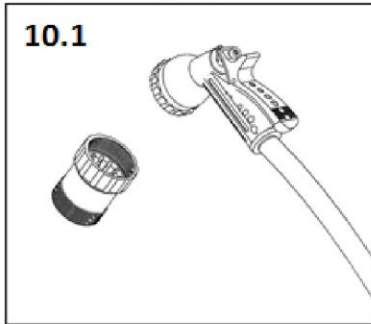
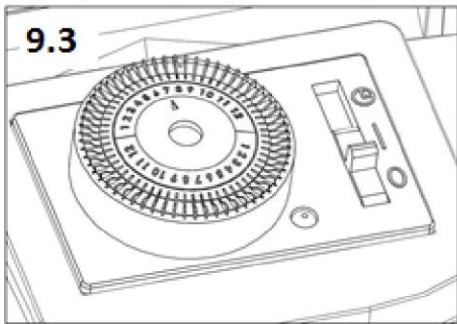
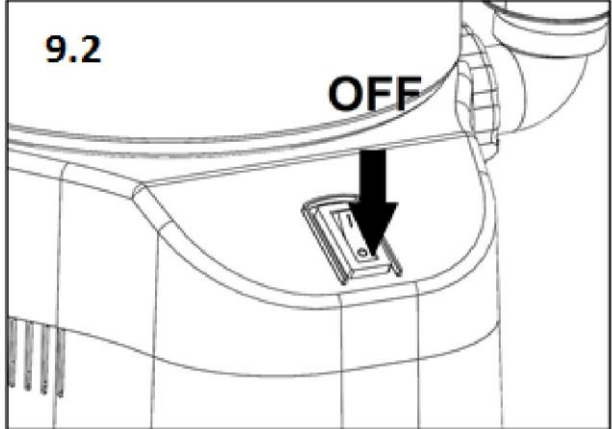
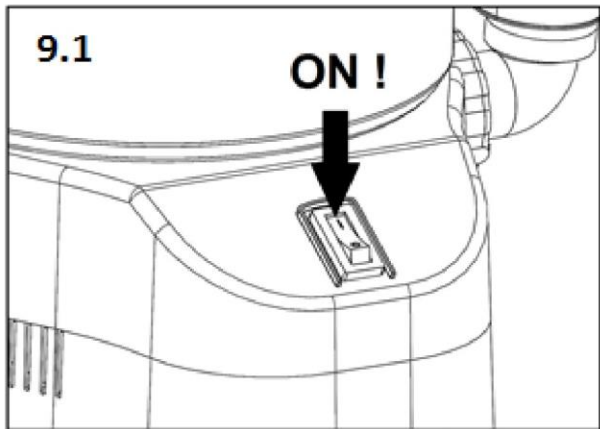
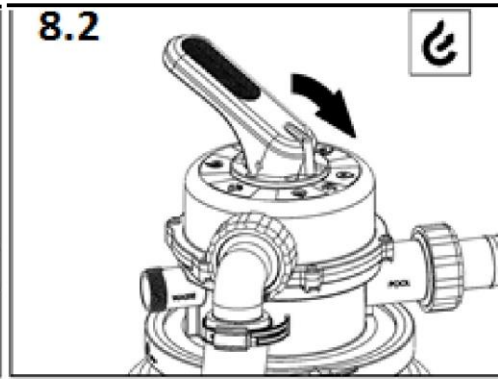
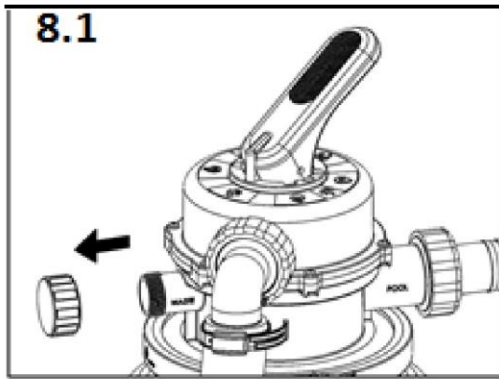
Изделие испытано в АО «Státní zkušebna strojů a.s.» (Государственная испытательная машиностроительная лаборатория)

## Решение проблем

Вода течет слабо или не течет вообще	Фильтр не деаэрирован	Выпустите из фильтра воздух
	Рычаг клапана в положении ЗАКРЫТО	Поверните рычаг в положение ФИЛЬТРАЦИЯ
	Чрезмерное загрязнение песка	ПРОМОЙТЕ или замените песок
	Засорен фильтр предварительной очистки	Демонтируйте фильтр предварительной очистки и промойте
	Засорен скиммер	Снимите корзинку скиммера и промойте ее
	Поврежден фильтр	Обратитесь в сервисный центр
В бассейн попадает песок	Перемещение рычага клапана при включенном фильтре	Выключите фильтр перед перемещением рычага
	Зернистость фильтрующего песка слишком мала	Рекомендуемая зернистость: 0,6–1,2 мм
	Высокий уровень песка в емкости	Уменьшите количество песка в емкости
Насос всасывает воздух (в системе имеются пузырьки воздуха)	Недостаточная затяжка соединения	Осторожно подтяните накидную гайку
	Отсутствие герметичности в соединениях фильтра предварительной очистки	Снова уплотните соединения
	Повреждено уплотнение	Проверьте уплотнение в соединениях «перед» насосом
Утечка воды из устройства	Негерметичное соединение	Подтяните / уплотните снова соединения
	Повреждено уплотнение	Проверьте уплотнение
Вода в бассейне не очищается	Малое количество добавленных химикатов в воде	Проверьте величину pH и содержание хлора в воде
	Недостаточное время фильтрации	Увеличьте время фильтрации

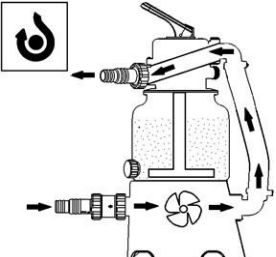
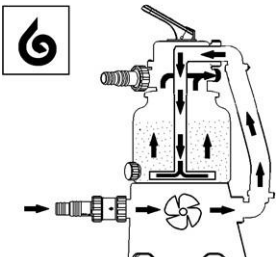
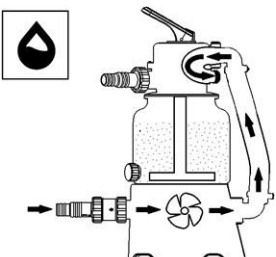
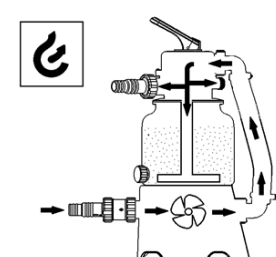
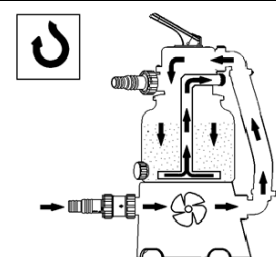
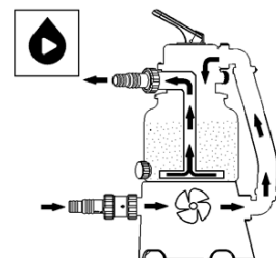
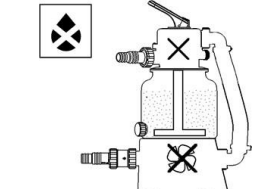








## Положения клапана

	<p><b>БАЙПАС</b> – вода протекает через устройство, обходя песок.</p>
	<p><b>ПРОМЫВКА</b> – вода проходит через песчаный наполнитель в обратном направлении, тем самым вымывая примеси; ПРИ ЭТОМ вода не поступает обратно в бассейн, а выходит через патрубок «СЛИВ» – <b>удалите пробку!</b></p>
	<p><b>СЛИВ</b> – вода обходит песок и попадает в патрубок «СЛИВ» – <b>удалите пробку!</b>          Данное положение для снижения уровня воды в бассейне или для уборки крупных частиц мусора пылесосом.</p>
	<p><b>ДЕАЭРАЦИЯ / ПОДГОТОВКА К ЗИМЕ</b> – в этом положении клапан проходим во всех направлениях, выходящий воздух позволяет камере насоса наполниться водой. Эта позиция также используется для зимовки фильтра или продолжительного перерыва в фильтрации.</p>
	<p><b>ПРОМЫВКА</b> – позиция используется при первом запуске с новой песчаной засыпкой или после «ПРОМЫВКИ», при этом песчаная суспензия оседает, остатки мусора выходят через горловину «СЛИВ» – <b>удалите пробку!</b></p>
	<p><b>ФИЛЬТРАЦИЯ</b> – первичное положение клапана, вода фильтруется через песок и возвращается в бассейн.</p>
	<p><b>ЗАКРЫТО</b> – не включайте устройство!</p>

# Filtro a sabbia

Istruzioni per l'installazione, il  
montaggio e l'uso  
(traduzione delle istruzioni originali)



**PRIMA DI PROCEDERE ALL'INSTALLAZIONE E ALL'UTILIZZO DI QUESTO  
PRODOTTO LEGGERE ATTENTAMENTE, COMPNDERE E RISPETTARE  
TUTTE LE ISTRUZIONI RIPORTATE NEL PRESENTE MANUALE  
PER L'USO. CONSERVARE LE ISTRUZIONI PER RIFERIMENTI FUTURI.**

## Informazioni generali

Prodotto per la società Mountfield a.s. dalla società Garsys s.r.o., zona industriale presso la miniera František, K Prádlu, 735 Horní Suchá, 735 35; paese di origine: Repubblica ceca

## Istruzioni di sicurezza



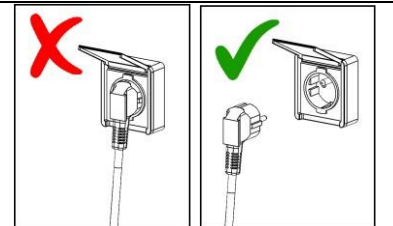
In questo manuale, questo simbolo indica istruzioni che, se non osservate, possono mettere in pericolo la salute delle persone.



In questo manuale, questo simbolo indica istruzioni che, se non osservate, possono causare il rischio di folgorazione.



**PRIMA DI QUALUNQUE MANIPOLAZIONE  
DEL DISPOSITIVO E DURANTE L'UTILIZZO  
DELLA PISCINA SCOLLEGARE IL  
DISPOSITIVO DALLA RETE ELETTRICA**

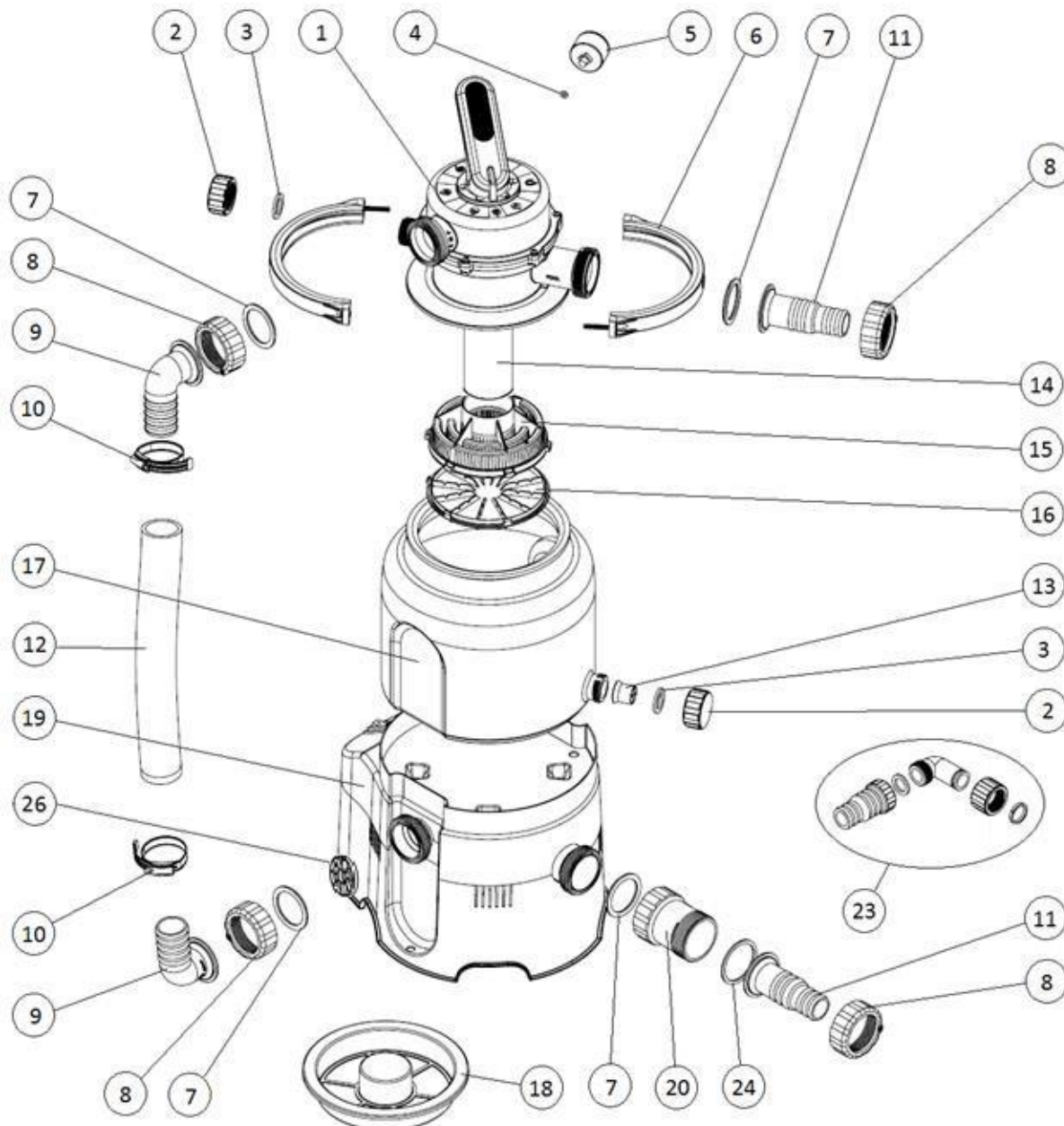


### **LEGGERE E RISPETTARE LE PRESENTI ISTRUZIONI**

**Il mancato rispetto delle istruzioni riportate in questo manuale per l'uso può causare il rischio di infortunio o di morte per folgorazione.**

- Il dispositivo può essere utilizzato da bambini di età superiore a 8 anni e da persone con ridotte capacità psico-fisico-sensoriali o con esperienza e conoscenze insufficienti, purché attentamente sorvegliate o istruite su come utilizzare in modo sicuro il dispositivo e sui pericoli che ciò comporta. I bambini non devono giocare con il dispositivo. La pulizia e la manutenzione non devono essere effettuate da bambini senza sorveglianza.
- Il dispositivo deve essere collegato esclusivamente alla rete elettrica che soddisfa i requisiti della norma ČSN, con l'utilizzo di una presa distante almeno 3,5 m dalla piscina e protetta da un interruttore differenziale con corrente nominale d'interruzione non superiore a 30 mA.
- Il dispositivo deve essere collegato direttamente alla presa elettrica. In caso di utilizzo di una prolunga utilizzare solo prolunghine che soddisfano i requisiti della norma ČSN per l'uso esterno.
- Non tentare di collegare o scollegare la spina del cavo di alimentazione dalla presa con le mani bagnate o con i piedi nell'acqua.
- Il dispositivo deve essere posizionato in modo da non poter essere utilizzato da bambini come ausilio per entrare nell'acqua.
- Tenere i bambini a distanza di sicurezza dal dispositivo e dal cavo di alimentazione. Assicurarsi che i bambini non giochino con il dispositivo.
- Non sotterrare il cavo di alimentazione ed evitare che si danneggi. Il cavo di alimentazione deve essere posizionato in modo da evitare che possa essere danneggiato con tosaerba, tosaiepi o altri dispositivi simili.
- La spina del cavo di alimentazione deve essere accessibile al personale in modo da poter scollegare rapidamente il dispositivo dalla rete elettrica.
- Prima dell'ingresso delle persone nell'acqua scollegare il dispositivo dalla rete elettrica. Il dispositivo non deve essere utilizzato in caso di presenza di persone all'interno della piscina.
- Non utilizzare mai il dispositivo senza acqua.
- Non utilizzare mai il dispositivo danneggiato o incompleto. Gli eventuali guasti devono essere immediatamente riparati. Per la manutenzione e la riparazione utilizzare pezzi di ricambio originali.
- Non accendere mai il dispositivo con la valvola a sei vie in posizione CHIUSA oppure con le condutture dell'impianto di circolazione otturate; sussiste il rischio di danneggiamento, rottura e distacco del tappo della valvola a sei vie, con il conseguente rischio di lesione o danni materiali.
- Verificare regolarmente lo stato di intasamento del filtro e pulire il prefiltro della pompa e il cestello dello skimmer, per evitare il danneggiamento della pompa e garantire il regolare funzionamento del sistema.
- Il livello di pressione acustica A nella postazione di lavoro non supera i 70dB(A).

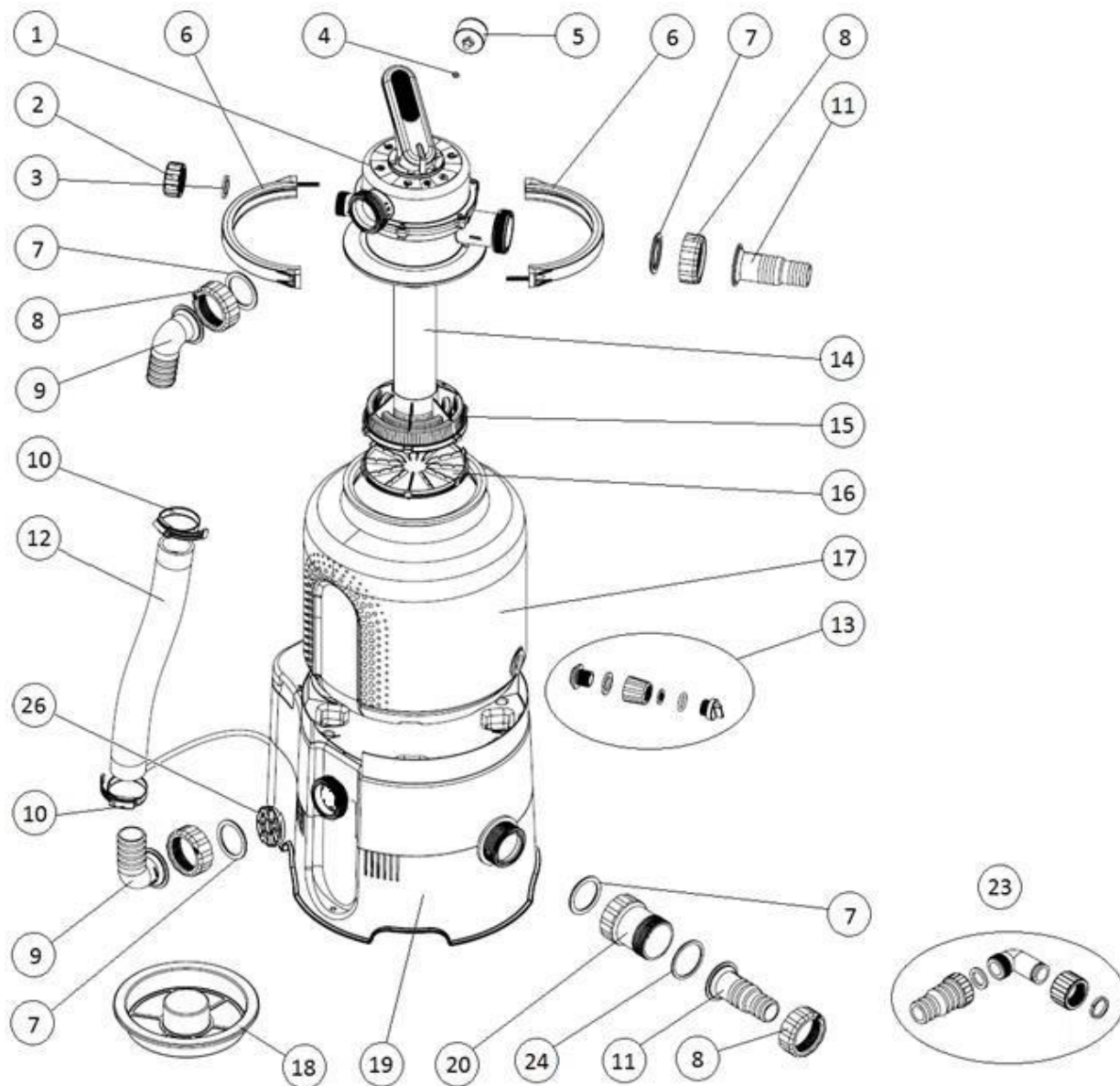
## Lista di componenti – SWING PLUS 10



Voce	Denominazione	Quantità
1	Valvola multivie	1
2	Tappo	2
3	Guarnizione piatta per tappo	2
4	Guarnizione piatta per manometro	1
5	Manometro	1
6	Manicotto della valvola 1/2 con materiale di collegamento	2
7	Guarnizione sagomata per raccordi e gomiti	4
8	Dado a bussola per raccordi e gomiti	4
9	Gomito D38	2
10	Fascetta stringitubo 40-60	2
11	Raccordo D32/38	2
12	Tubo di collegamento	1
13	Filtro di scarico	1

Voce	Denominazione	Quantità
14	Tubo di aspirazione	1
15	Succhieruola	1
16	Fondo della succhieruola	1
17	Contenitore	1
18	Tramoggia	1
19	Basamento con pompa	1
20	Prefiltro	1
21	Tubo della piscina in 3 parti	2
22	Fascetta stringitubo 25-40	4
23	Sistema di scarico	1
24	Guarnizione piatta per prefiltro	1
25	Nastro di teflon	1
26	Griglia per la protezione contro l'ingresso dei corpi estranei	1

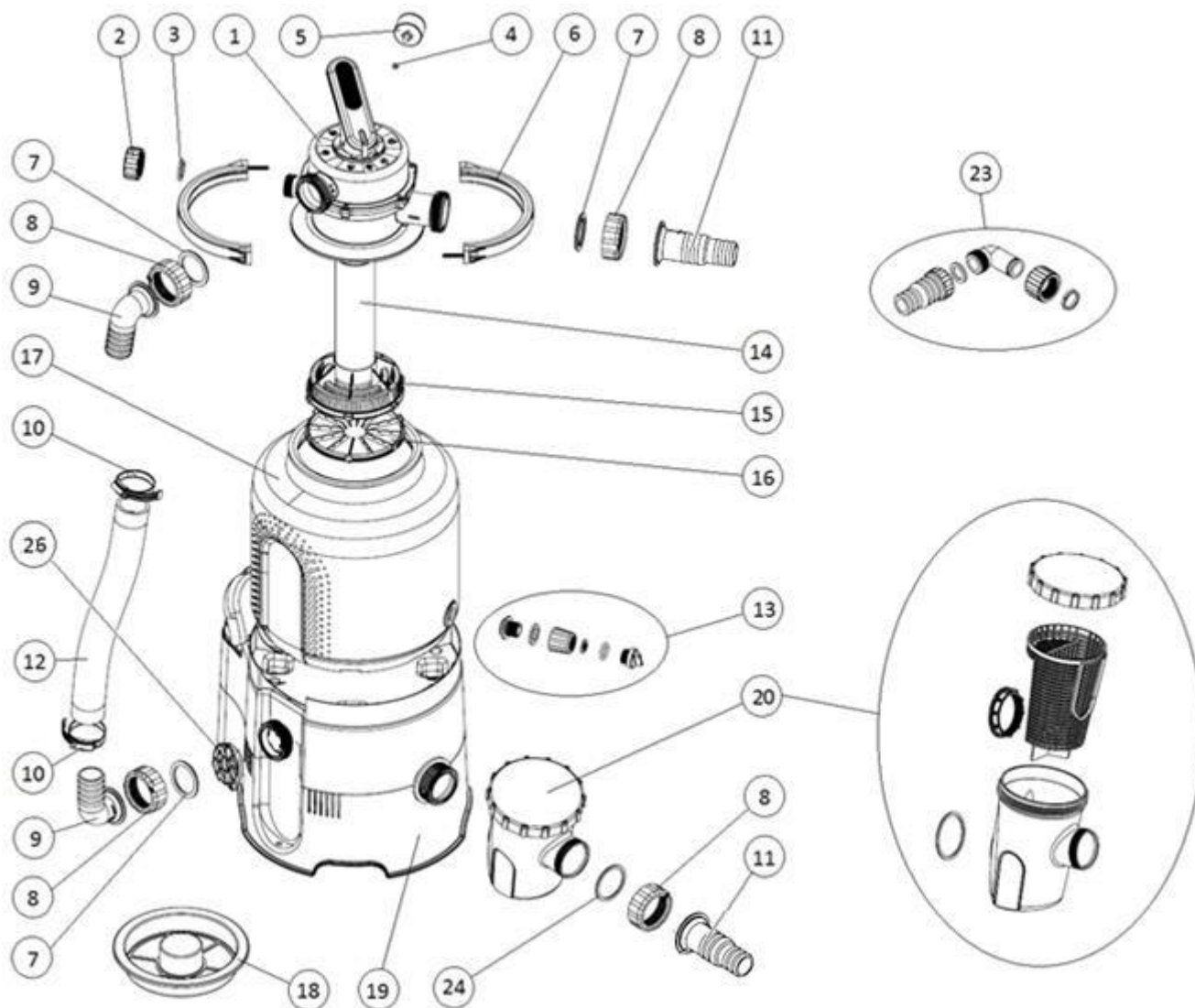
## Lista di componenti – SWING PLUS 14 (T)



Voce	Denominazione	Quantità
1	Valvola multivie	1
2	Tappo	1
3	Guarnizione piatta per tappo	1
4	Guarnizione piatta per manometro	1
5	Manometro	1
6	Manicotto della valvola 1/2 con materiale di collegamento	2
7	Guarnizione sagomata per raccordi e gomiti	4
8	Dado a bussola per raccordi e gomiti	4
9	Gomito D38	2
10	Fascetta stringitubo 40-60	2
11	Raccordo D32/38	2
12	Tubo di collegamento	1
13	Raccordo di scarico	1

Voce	Denominazione	Quantità
14	Tubo di aspirazione	1
15	Succhieruola	1
16	Fondo della succhieruola	1
17	Contenitore	1
18	Tramoggia	1
19	Basamento con pompa	1
20	Prefiltro	1
21	Tubo della piscina in 3 parti	2
22	Fascetta stringitubo 25-40	4
23	Sistema di scarico	1
24	Guarnizione piatta per prefiltro	1
25	Nastro di teflon	1
26	Griglia per la protezione contro l'ingresso dei corpi estranei	1

## Lista di componenti – SWING PLUS 18 (T)



Voce	Denominazione	Quantità
1	Valvola multivie	1
2	Tappo	1
3	Guarnizione piatta per tappo	1
4	Guarnizione piatta per manometro	1
5	Manometro	1
6	Manicotto della valvola 1/2 con materiale di collegamento	2
7	Guarnizione sagomata per raccordi e gomiti	4
8	Dado a bussola per raccordi e gomiti	4
9	Gomito D38	2
10	Fascetta stringitubo 40-60	2
11	Raccordo D32/38	2
12	Tubo di collegamento	1
13	Raccordo di scarico	1

Voce	Denominazione	Quantità
14	Tubo di aspirazione	1
15	Succhieruola	1
16	Fondo della succhieruola	1
17	Contenitore	1
18	Tramoggia	1
19	Basamento con pompa	1
20	Prefiltro	1
21	Tubo della piscina in 3 parti	2
22	Fascetta stringitubo 25-40	4
23	Sistema di scarico	1
24	Guarnizione piatta per prefiltro	1
25	Nastro di teflon	1
26	Griglia per la protezione contro l'ingresso dei corpi estranei	1

## **Scopo d'uso**

Questo sistema di filtrazione è indicato per la filtrazione dell'acqua nelle piscine stagionali fuori terra. Non è indicato per le piscine utilizzate tutto l'anno. La pompa del filtro non è autoaspirante, pertanto il filtro deve essere installato sotto il livello dell'acqua nella piscina, con riempimento naturale d'acqua.

**AVVERTENZA:** Le figure riportate nelle presenti istruzioni sono puramente illustrative e possono differire dal prodotto fornito. Il produttore si riserva il diritto di modificare parzialmente o totalmente il prodotto senza preavviso.

### **Requisiti per l'uso del sistema di filtrazione:**

- valore del pH dell'acqua 6 - 8,5
- concentrazione massima del cloro libero 10 mg/l
- concentrazione massima del sale disciolto 0,5%

## **Prima della messa in funzione**

Prima del completamento e della messa in funzione del dispositivo disimballare tutti i componenti.

Lasciare uno spazio libero attorno al sistema di filtrazione sufficientemente grande in modo da garantire l'utilizzo sicuro del dispositivo.

Il filtro deve essere posizionato su una base (ad esempio una base in cemento ecc.). La base deve essere posizionata e livellata con una livella a bolla. Il dispositivo non deve essere posizionato sull'erba, per evitare il rischio di surriscaldamento della pompa.

Evitare l'allagamento del dispositivo. L'allagamento potrebbe causare il danneggiamento del dispositivo o il rischio di folgorazione.

In caso di piscine interrate o seminterate il sistema di filtrazione deve essere posizionato in un pozzetto di filtrazione collegato con la piscina. In caso di posizionamento del sistema di filtrazione in un pozzetto è necessario garantire che il pozzetto non possa essere allagato con acqua. A tal fine si consiglia di stendere nel pozzetto uno strato di ghiaia per assorbire piccole quantità d'acqua e di realizzare uno scarico direttamente nel sistema fognario. Il pozzetto deve essere sufficientemente aerato per evitare il danneggiamento del dispositivo a causa della condensazione dell'acqua.

Altri accessori come ad esempio ulteriori tubi, fascette stringitubo e sabbia filtrante (non inclusi nella fornitura) sono disponibili presso il venditore.



**Il filtro non deve essere avviato a secco (senza acqua)!!! In caso di utilizzo del filtro a secco decade la garanzia.**

## **Dati tecnici**

	<b>SWING PLUS 10</b>	<b>SWING PLUS 14 (T)</b>	<b>SWING PLUS 18 (T)</b>
Tensione	230 V / 50 Hz	230 V / 50 Hz	230 V / 50 Hz
Potenza assorbita	85 W	190 W	250 W
Portata del sistema	2 m <sup>3</sup> /h	4 m <sup>3</sup> /h	5 m <sup>3</sup> /h
Protezione	IP X5	IP X5	IP X5
Prevalenza	1,5 m	1,5 m	1,5 m
Diametro del filtro	143 mm	143 mm	143 mm
Superficie filtrante utile	0,036 m <sup>2</sup>	0,036 m <sup>2</sup>	0,036 m <sup>2</sup>
Pressione d'esercizio	0,2 bar	0,3 bar	0,5 bar
Pressione massima d'esercizio	0,4 bar	0,6 bar	1,0 bar
Temperatura massima dell'acqua	35°C	35°C	35°C
Volume di sabbia	10 kg	14 kg	18 kg
Granulometria	0,6 – 1,2 mm	0,6 – 1,2 mm	0,6 – 1,2 mm



**Proteggere l'ambiente.** Il dispositivo non deve essere smaltito con i rifiuti urbani. Il prodotto contiene componenti elettrici/elettronici. Secondo le disposizioni della direttiva europea 2012/19/UE le apparecchiature elettriche ed elettroniche alla fine del ciclo di vita non devono essere smaltiti come rifiuti urbani, ma devono essere consegnati alle ditte specializzate nel trattamento ecologico di questo tipo di rifiuti. Per le informazioni sui punti di raccolta rivolgersi all'ufficio comunale.



## **Assemblaggio**

**Nota:** Dato che tutti i raccordi sono già muniti di guarnizione, non è necessario stringere eccessivamente i dadi. Ciò potrebbe causare il danneggiamento dei componenti in plastica.

**Nota:** Per l'assemblaggio occorre avere a disposizione un cacciavite a stella o piatto e una chiave a brugola n. 10.

### **1. Montaggio del raccordo di scarico nel contenitore**

Far passare la controparte filettata dalla parte interna del foro di scarico del contenitore (**FIG. 1.1**). Inserire la guarnizione sulla filettatura sporgente e avvitare il manicotto (**FIG. 1.2**). Inserire il filtro per la protezione contro la fuoriuscita della sabbia all'interno del manicotto. Spingere all'interno il filtro avvitando il tappo con O-Ring (**FIG. 1.3**). Per sigillare i raccordi basta stringerli manualmente. Non utilizzare le pinze per evitare il danneggiamento dei componenti.

#### **1.A In caso di contenitori da 10L con il foro di scarico procedere come segue:**

Far passare il filtro di scarico dalla parte interna del foro di scarico del contenitore (**FIG. 1.4**). Avvitare il tappo con la guarnizione sul foro filettato (**FIG. 1.5**). Per sigillare i raccordi basta stringerli manualmente. Non utilizzare le pinze per evitare il danneggiamento dei componenti.

### **2. Completamento della succhieruola**

Collegare il fondo della succhieruola con la succhieruola stessa facendo scattare all'interno i 6 blocchi posizionati lungo il perimetro. Inserire il tubo di aspirazione nella succhieruola completa (**FIG. 2.1**). Inserire tutto l'insieme nel contenitore vuoto (**FIG. 2.2**) e fissarlo nella posizione inserendo la tramoggia (**FIG. 2.3**). A questo punto il contenitore è pronto per essere riempito di sabbia.

### **3. Riempimento con sabbia**

Prima del riempimento con sabbia si consiglia di posizionare il contenitore sul basamento con pompa. La manipolazione del contenitore pieno sarebbe difficoltosa. Unire gli incavi laterali sul contenitore con gli incavi nel basamento; il raccordo di scarico deve essere rivolto in direzione opposta dell'interruttore (**FIG. 3.1**).

Con la tramoggia inserita riempire il contenitore con quantità necessaria di sabbia (**FIG. 3.2**). Il livello di sabbia nel contenitore dovrebbe arrivare all'estremità delle scanalature laterali (**FIG. 3.3**). A questo punto rimuovere la tramoggia ed eliminare i granelli di sabbia o altre impurità dalla superficie di tenuta del foro del contenitore.

### **4. Montaggio della valvola multivie**

Inserire l'O-Ring dalla parte inferiore della valvola e posizionarlo sul foro del contenitore pieno. Ruotare la valvola in modo tale che il suo foro PUMP / POMPA sia rivolto nella stessa direzione dell'uscita della pompa nel basamento del contenitore. Inserire entrambe le metà del manicotto sugli incavi del contenitore e della valvola, unirle con le viti (**FIG. 4.3**) e stringere in modo uniforme.

Inserire la piccola guarnizione in gomma nel foro per il manometro, avvitare il corpo del manometro (**FIG. 4.1**) e stringere leggermente con la mano.

**!!! Prestare attenzione al corretto avvitamento per evitare il danneggiamento della filettatura delicata!!!**

Avvitare il tappo con la guarnizione sul foro WASTE / SCARICO (**FIG. 4.2**).

### **5. Montaggio del tubo di collegamento**

Infilare le fascette stringitubo sul tubo flessibile e su entrambe le estremità del tubo flessibile inserire i raccordi a gomito con i dadi a bussola (**FIG. 5.1**). Inserire nell'uscita laterale della pompa la griglia per la protezione contro l'ingresso dei corpi estranei (**FIG. 5.2**); alla stessa uscita e al foro della valvola PUMP / POMPA collegare il tubo flessibile precedentemente preparato con l'utilizzo dei dadi a bussola e della guarnizione (**FIG. 5.3**).

**!!! Le fascette stringitubo devono essere serrate solo dopo il serraggio dei dadi a bussola!!!**

### **6. Montaggio del prefiltro e dei raccordi**

Montare il prefiltro trasparente sulla bocca di aspirazione della pompa e successivamente montare il raccordo di collegamento per tubi flessibili (**FIG. 6.1**).

**!!! Prestare attenzione alla forma della guarnizione utilizzata!!!**

#### **6.A In caso di filtro SWING PLUS 18 con prefiltro grande procedere come segue:**

Infilare il corpo del prefiltro con la guarnizione sul foro della pompa e fissare con il dado a bussola all'interno del prefiltro; inserire nel prefiltro il cestello raccogli sporco e chiudere con il tappo munito di O-Ring. Montare i raccordi di collegamento sul foro mediante il dado a bussola (**FIG. 6.2**).

**!!! Prestare attenzione alla forma della guarnizione utilizzata!!!**

Avvitare il secondo raccordo di collegamento per tubi flessibili sul foro della valvola POOL / PISCINA (**FIG. 6.3**).

### **7. Collegamento del dispositivo alla piscina – vedere FIG. 7.1, FIG. 7.2**

Collegare il dispositivo alla piscina con l'utilizzo di opportuni tubi flessibili per piscina e fascette stringitubo.

## Funzionamento del dispositivo

### 1. Adescamento / sfiatamento della pompa

Rimuovere il tappo del foro "SCARICO / WASTE" (FIG. 8.1), spostare la leva della valvola nella posizione SFIATAMENTO a attendere finché dal foro non inizi a fuoriuscire l'acqua (FIG. 8.2). Spostare la leva della valvola nella posizione CHIUSA e avvitare nuovamente il tappo. Infine spostare la leva della valvola nella posizione FILTRAZIONE. A questo punto il filtro può essere messo in funzione.

Prima del primo utilizzo o dopo la sostituzione della sabbia effettuare il risciacquo della sabbia.

### 2. Avviamento

Accendere il filtro con il commutatore oscillante posizionato nella parte posteriore del filtro.

ACCESO – FIG. 9.1

SPENTO – FIG. 9.2



**Prima di collegare il dispositivo alla rete controllare la posizione della valvola!  
Non accendere mai il dispositivo con la valvola a sei vie in posizione CHIUSA oppure  
con le condutture dell'impianto di circolazione otturate.**

### 2.A Il filtro SWING con la sigla "T" è dotato di un timer regolabile (FIG. 9.3):

Selezionare la funzione desiderata con il selettore a scorrimento. Il timer può essere impostato con intervalli di 20 minuti nell'arco di 24 ore. Una tacca corrisponde a 20 minuti, quindi 3 tacche = 1 ora. La spia a LED indica il funzionamento del dispositivo.

### 3. Utilizzo

Posizionare la valvola nella posizione FILTRAZIONE e accendere il dispositivo. Controllare regolarmente il flusso attraverso il filtro (pressione sul manometro) e in base ai valori rilevati effettuare il lavaggio della sabbia.

Si consiglia di stabilire un programma di filtrazione considerando le dimensioni della piscina e il tipo di utilizzo. Per garantire una corretta filtrazione è necessario filtrare l'acqua nella piscina almeno una volta al giorno. La durata minima del funzionamento del filtro dipende dal volume della piscina e dalla portata del filtro.

*Esempio: Per una piscina con un volume dell'acqua di 10 m<sup>3</sup> e con il filtro SWING PLUS 10 con una portata di 2 m<sup>3</sup>/h la durata corrisponde a 5 ore.*

### 4. Pulizia del prefiltro

Quando si nota un inquinamento evidente o la riduzione dell'efficacia del filtro pulire il prefiltro con il getto d'acqua (FIG. 10.1). In caso del filtro SWING PLUS 18 lavare il cestello filtrante interno (FIG. 10.2).

### 5. Lavaggio della sabbia

In base alla pressione all'interno del contenitore è possibile stabilire la necessità di effettuare il lavaggio del materiale filtrante. Dopo il primo avviamento con la sabbia filtrante pulita annotare il valore della pressione; in caso di aumento di oltre un'unità sulla scala graduata è necessario effettuare il LAVAGGIO (2-3 minuti) + RISCIAQUO (ca 30 secondi) vedere "Le singole posizioni della valvola". In caso di utilizzo quotidiano del filtro si consiglia di lavare la sabbia almeno una volta alla settimana.

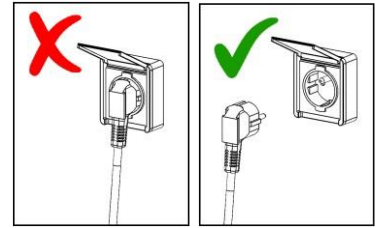
Per le funzioni del filtro come LAVAGGIO, RISCIAQUO e SCARICO è possibile utilizzare il kit di scarico; avvitare sul foro "SCARICO / WASTE" al posto del tappo direttamente il raccordo oppure il gomito munito del raccordo per tubo di scarico.

**QUANDO SI SCARICA L'ACQUA DAL FORO "SCARICO / WASTE" VERIFICARE CHE SIANO RISPETTATE TUTTE LE NORMATIVE IN MATERIA DELLA GESTIONE DELLE ACQUE REFLUE. NON SCARICARE L'ACQUA NEI POSTI IN CUI POTREBBE CAUSARE DANNI PER ALLAGAMENTO. IL FORO "SCARICO / WASTE" PUÒ ESSERE MUNITO DI UN RACCORDO PER IL COLLEGAMENTO DEL TUBO DI SCARICO. DURANTE LA FILTRAZIONE IL FORO "SCARICO / WASTE" DOVREBBE ESSERE CHIUSO CON IL TAPPO.**

## Regolazione della valvola multivie



**Prima di cambiare la posizione della valvola scollegare sempre il dispositivo dalla rete.** Prima della manipolazione attendere circa trenta secondi dopo lo spegnimento della pompa, in modo da permettere la sedimentazione delle impurità e della sabbia.



Premere la leva verso il basso (**FIG. 12.1**) e ruotarla nella posizione desiderata (**FIG. 12.2**).

## Cura

Il sistema filtrante rimuove le impurità visibili. Ciò non vale per alghe, batteri e microorganismi che impediscono di avere all'interno della piscina un'acqua pulita e innocua per la salute. Per la prevenzione di questo problema esistono molti prodotti specifici che alla giusta concentrazione svolgono costantemente un'azione preventiva per mantenere l'acqua nella piscina pulita e innocua per la salute.

## Manutenzione

Durante la stagione in cui viene utilizzata la piscina controllare regolarmente il funzionamento del dispositivo. Questo è importante per rilevare in tempo eventuali guasti e poterli eliminare il prima possibile. Il fornitore non può essere ritenuto responsabile di eventuali danni causati dal guasto del sistema di filtrazione o dell'impianto elettrico.

Effettuare regolarmente il lavaggio della sabbia. Qualora nonostante il lavaggio il flusso attraverso la sabbia filtrante non dovesse migliorare e la pressione indicata sul manometro rimanesse alta, sarà necessario sostituire la sabbia.

Per la pulizia del tappo del filtro e del contenitore stesso non utilizzare nessun tipo di solvente che potrebbe danneggiare la superficie (perdita della lucidità, della trasparenza ecc.).

## Conservazione per l'inverno

Alla fine della stagione il filtro deve essere pulito, svuotato, smontato e conservato. Scollegare il filtro dalla piscina e mediante la valvola di scarico posizionata nella parte inferiore del contenitore filtrante scaricare l'acqua dal contenitore.

Aprire il contenitore del filtro e rimuovere la sabbia. Pulire la sabbia e rimuovere le incrostazioni e i grumi. Sostituire regolarmente la sabbia nel contenitore.

Rimontare il filtro e per conservarlo per l'inverno in un luogo asciutto e protetto dal gelo. Spostare la leva della valvola nella posizione intermedia SFIATAMENTO / INVERNAGGIO, utilizzata per l'invernaggio del filtro.

## Condizioni di garanzia e assistenza

Le condizioni di garanzia sono descritte nel certificato di garanzia del venditore.

Per eventuali informazioni, richieste di assistenza o di ricambi si prega di rivolgersi al proprio venditore. Per la manutenzione e la riparazione utilizzare pezzi di ricambio originali.

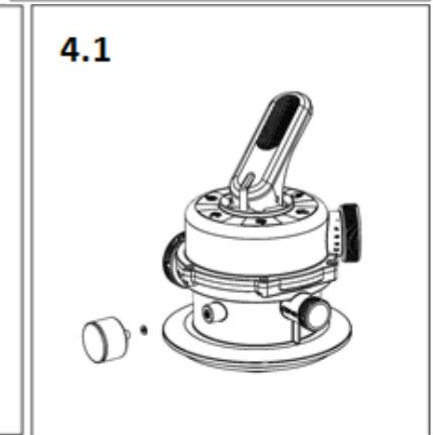
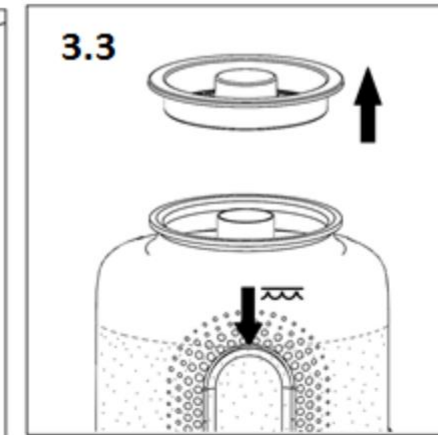
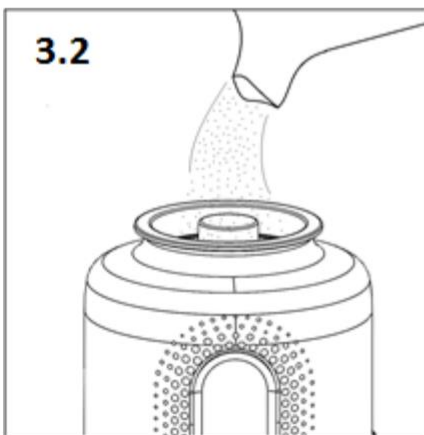
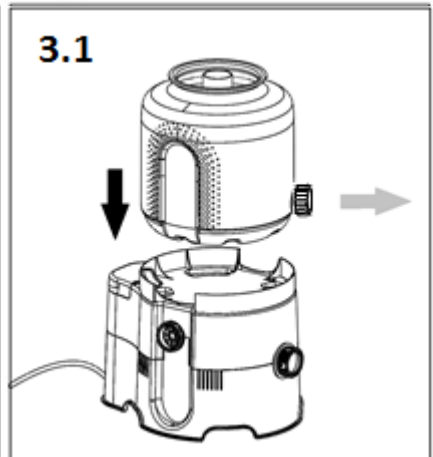
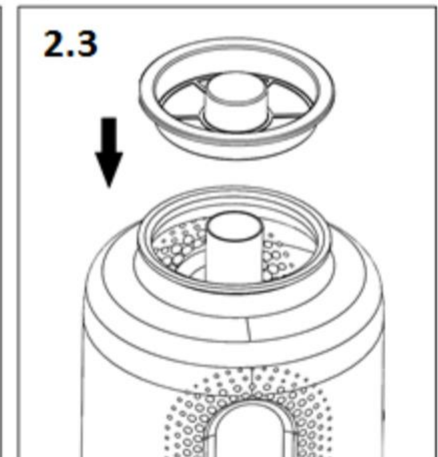
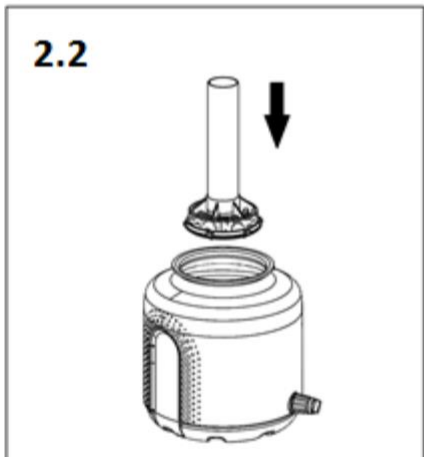
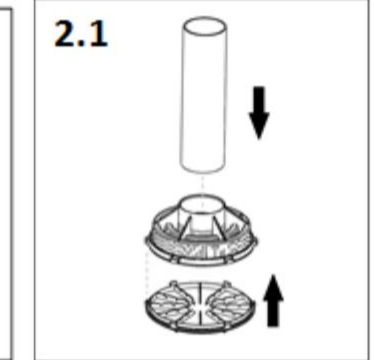
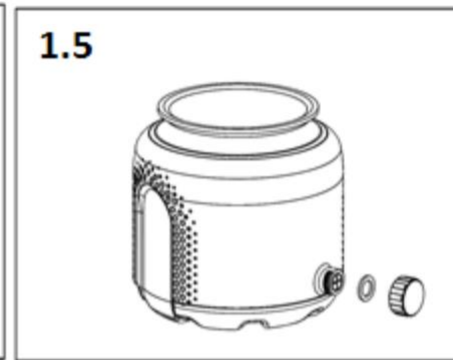
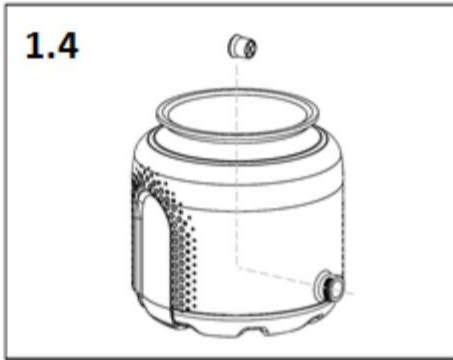
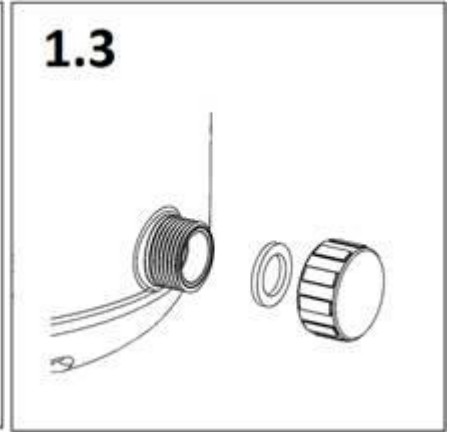
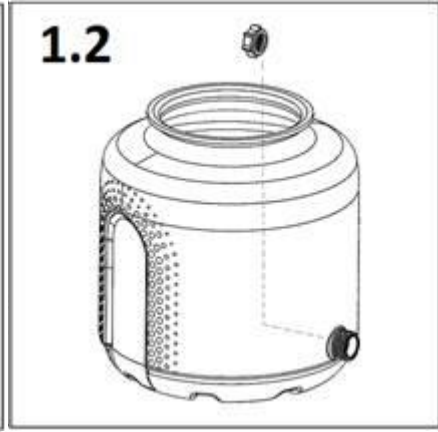
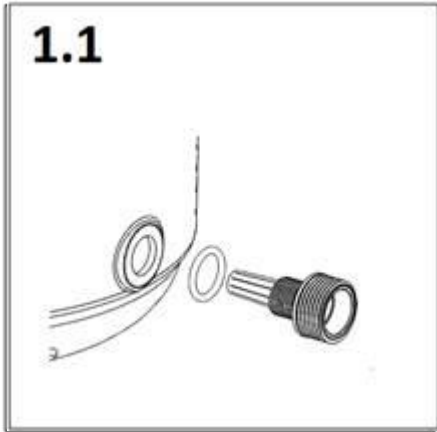
## Prove del prodotto

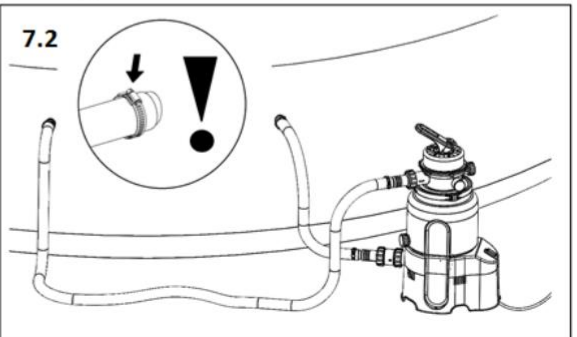
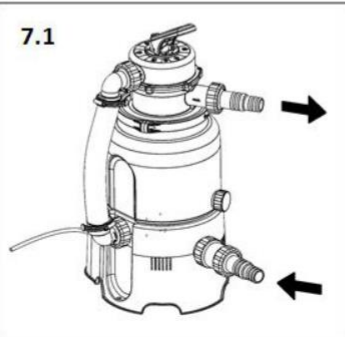
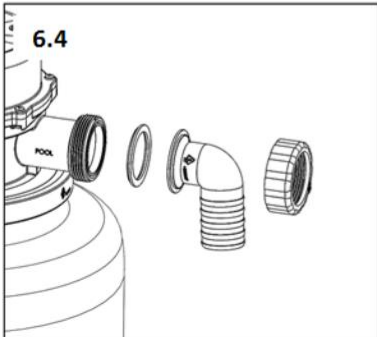
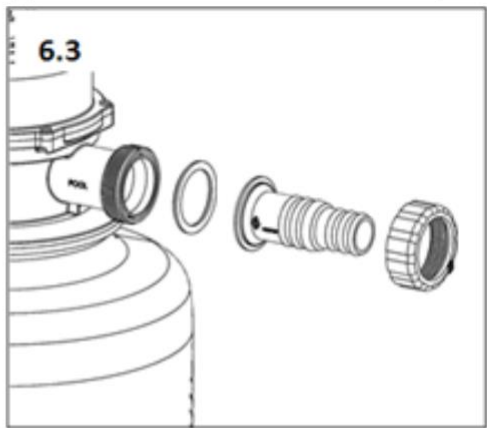
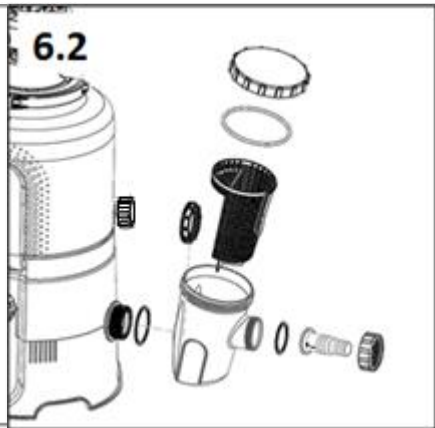
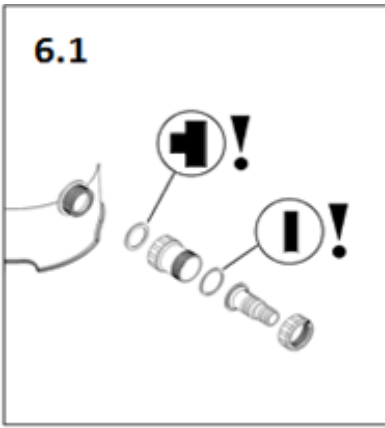
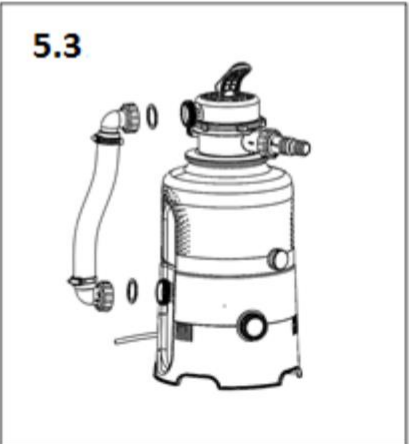
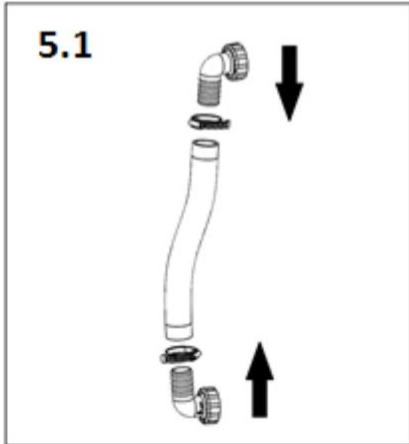
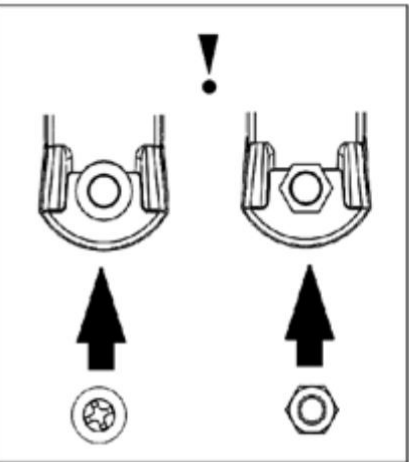
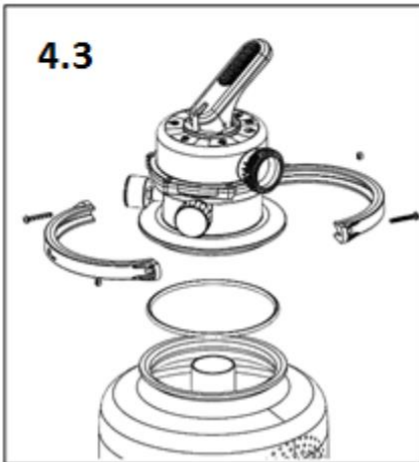
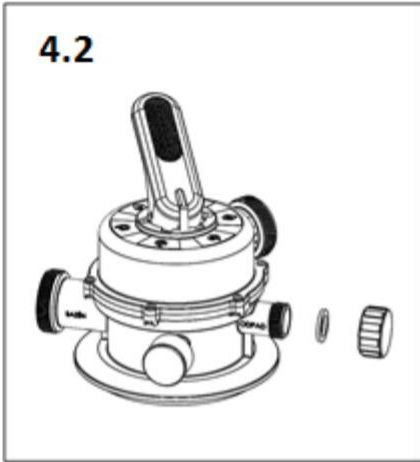
Il prodotto è soggetto alla norma EN 60335-2-41 e soddisfa i requisiti delle direttive 2006/42/CE (direttiva macchine), 2014/30/UE (compatibilità elettromagnetica), 2014/35/UE (apparecchiature elettriche) e i requisiti della direttiva RoHS per quanto riguarda il contenuto delle sostanze pericolose nelle apparecchiature elettriche.

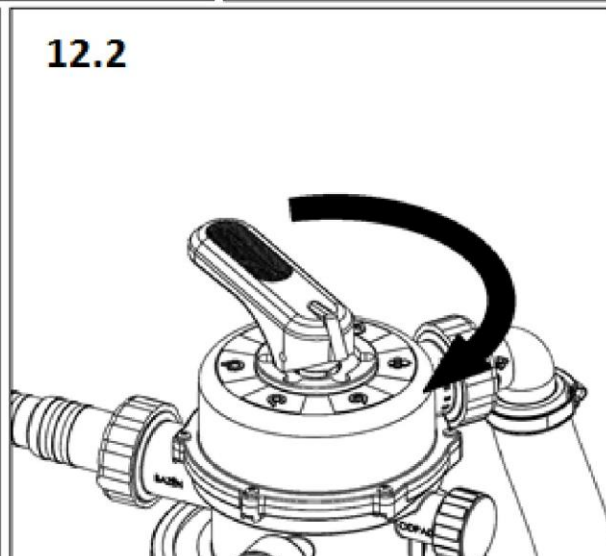
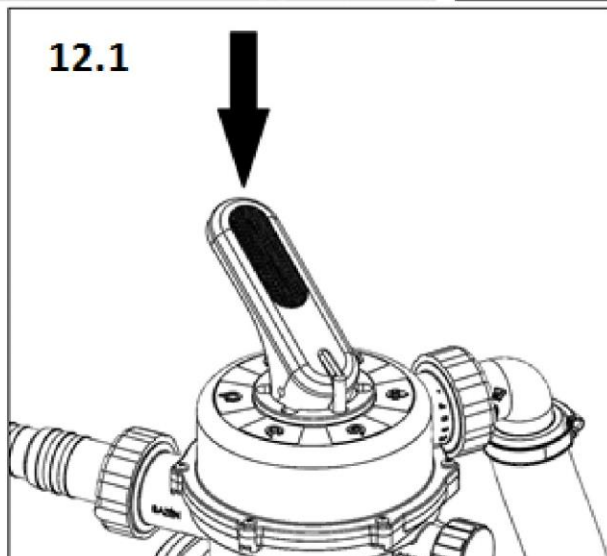
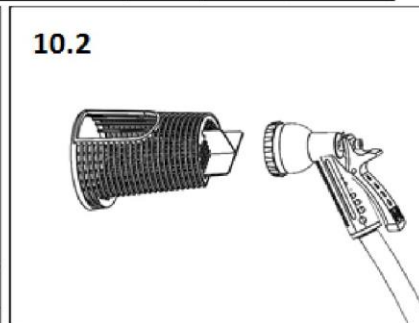
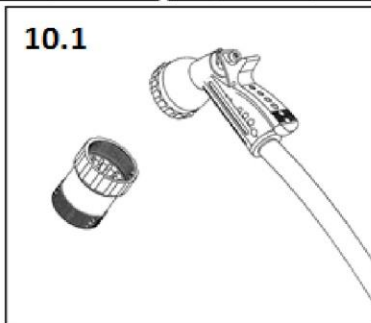
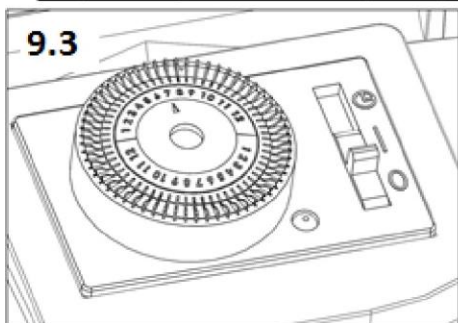
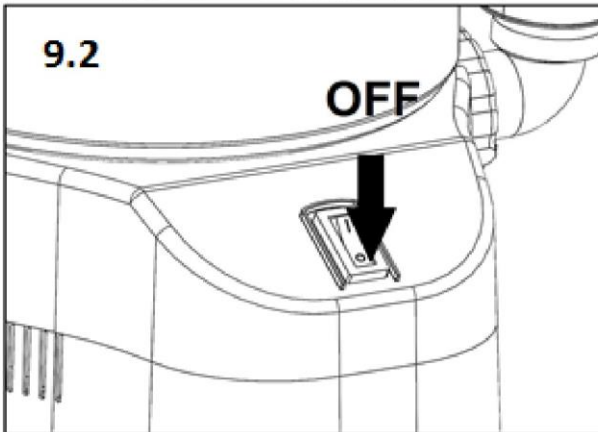
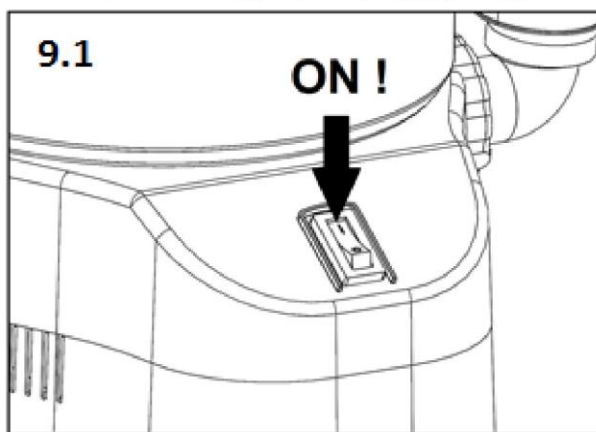
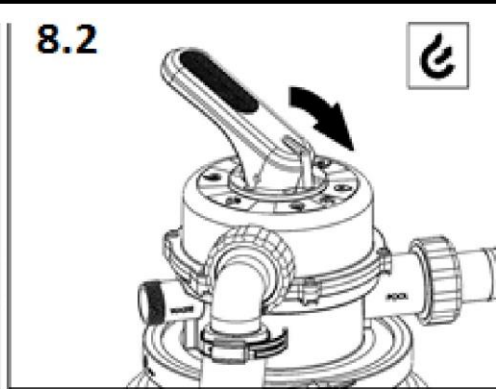
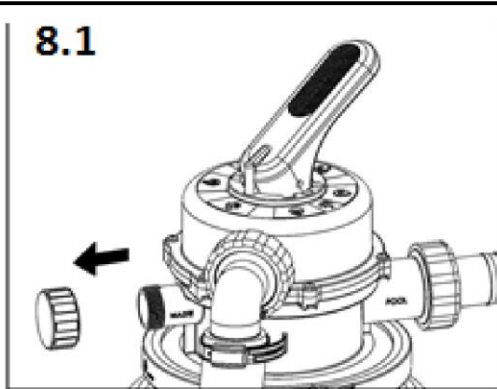
Il prodotto è stato testato dalla società Státní zkušebna strojů a.s.

## Risoluzione dei problemi

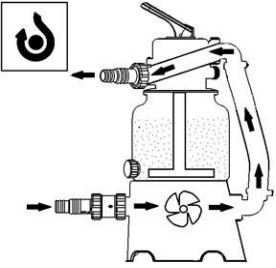
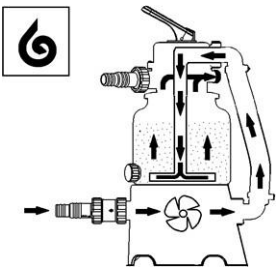
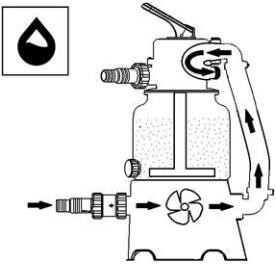
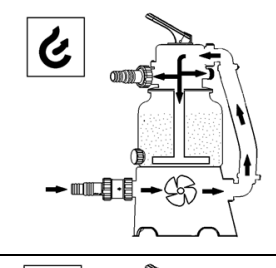
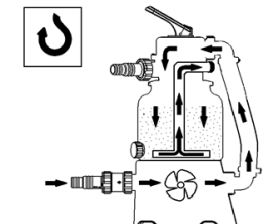
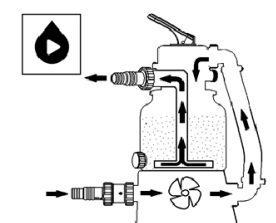
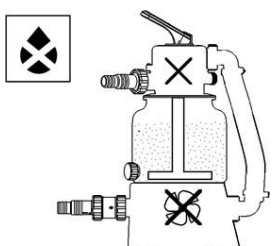
Flusso insufficiente o nullo	Il filtro non è stato sfiatato	Sfiatare il filtro
	Leva della valvola nella posizione CHIUSA	Ruotare nella posizione FILTRAZIONE
	Sabbia troppo sporca	Effettuare il LAVAGGIO o sostituire la sabbia
	Prefiltro intasato	Smontare e lavare il prefiltro
	Skimmer intasato	Smontare e lavare il cestello dello skimmer
	Filtro danneggiato	Rivolgersi al servizio di assistenza
Ingresso della sabbia in piscina	Manipolazione con la leva della valvola con filtro acceso	Durante la manipolazione con la leva spegnere il filtro
	Bassa granulometria della sabbia filtrante	Granulometria consigliata: 0,6 - 1,2 mm
	Alto livello della sabbia nel contenitore	Ridurre la quantità della sabbia nel contenitore
La pompa aspira l'aria (presenza di bolle nel sistema)	Serraggio insufficiente dei raccordi	Stringere a fondo i dadi a bussola
	Scarsa tenuta dei raccordi del prefiltro	Sigillare i raccordi
	Guarnizione danneggiata	Verificare la guarnizione dei raccordi "a monte" della pompa
Perdita d'acqua dal dispositivo	Scarsa tenuta del raccordo	Stringere / sigillare i raccordi
	Guarnizione danneggiata	Controllare la guarnizione
L'acqua nella piscina rimane sporca	Trattamento chimico dell'acqua insufficiente	Verificare il valore pH e la concentrazione di cloro nell'acqua
	Durata insufficiente della filtrazione	Aumentare la durata della filtrazione







## Le singole posizioni della valvola

	<p><b>BY PASS</b> – l'acqua scorre attraverso il dispositivo al di fuori della sabbia.</p>
	<p><b>LAVAGGIO</b> – l'acqua scorre attraverso la sabbia in direzione opposta, rimuovendo le impurità dalla sabbia; l'acqua non è convogliata nuovamente all'interno della piscina ma fuoriesce dal foro "SCARICO" – <b>rimuovere il tappo!</b></p>
	<p><b>SCARICO</b> – l'acqua scorre al di fuori della sabbia nel foro "SCARICO" – <b>rimuovere il tappo!</b> Questa posizione serve per abbassare il livello dell'acqua nella piscina oppure per rimuovere le impurità grossolane.</p>
	<p><b>SFIATAMENTO / INVERNAGGIO</b> – in questa posizione la valvola rimane aperta in tutte le direzioni, mentre l'aria in uscita permette il riempimento automatico della camera della pompa. Questa posizione inoltre serve per l'invernaggio o per i casi di inutilizzo prolungato del filtro.</p>
	<p><b>RISCIAQUO</b> – questa posizione viene utilizzata in caso di primo avviamento dopo la sostituzione della sabbia oppure dopo il "LAVAGGIO"; serve per far sedimentare la sabbia ed eliminare i residui delle impurità dal foro "SCARICO" – <b>rimuovere il tappo!</b></p>
	<p><b>FILTRAZIONE</b> – posizione primaria della valvola; l'acqua viene filtrata attraverso la sabbia e convogliata nuovamente all'interno della piscina.</p>
	<p><b>CHIUSO</b> – non accendere il dispositivo!</p>



# Homoksűrítés

**Telepítési, összeszerelési és  
üzemeltetési útmutató  
(eredeti használati utasítás)**




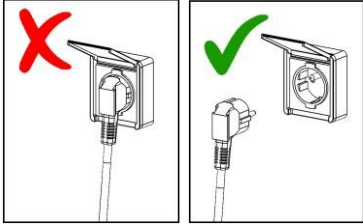



**A TERMÉK TELEPÍTÉSE ÉS HASZNÁLATA ELŐTT KÉRJÜK, GONDOSAN  
OLVASSA EL, ÉRTSE MEG ÉS TARTSA BE A JELEN HASZNÁLATI UTASÍTÁSBAN  
SZEREPLŐ  
UTASÍTÁSOKAT. ŐRIZZE MEG GONDOSAN A HASZNÁLATI UTASÍTÁST A  
TOVÁBBI HASZNÁLATRA.**

## Általános

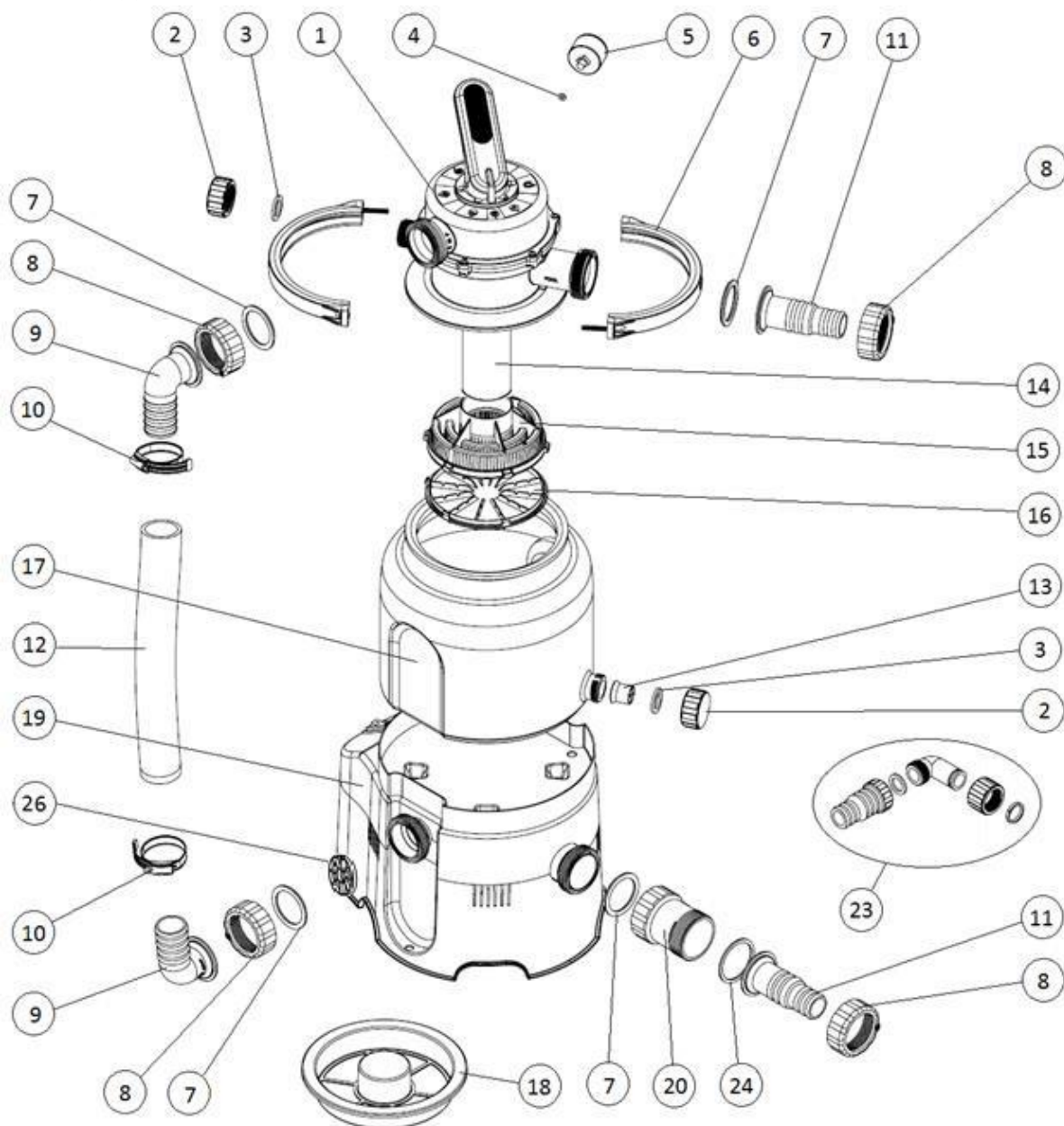
A Mountfield a.s. társaság számára gyártja a Garsys s.r.o. (székhelye: Průmyslová zóna u dolu František, ulice K Prádlu, 735 Horní Suchá, 735 35, származási ország: Cseh Köztársaság)

## Biztonsági utasítások

	A jelen használati utasításban ezzel a piktogrammal jelölik azokat az utasításokat, amelyek betartásának elmulasztása személyi sérüléseket okozhat.
	A jelen használati utasításban ezzel a piktogrammal jelölik azokat az utasításokat, amelyek betartásának elmulasztása az emberekre nézve az áramütés kockázatát hordozza.
	<p style="text-align: center;"><b><u>A BERENDEZÉS BÁRMILYEN KEZELÉSEKOR</u></b> <b><u>VAGY A MEDENCÉBEN TÖRTÉNŐ</u></b> <b><u>FÜRDÉSKOR CSATLAKOZTASSA LE A</u></b> <b><u>KÉSZÜLÉKEKET AZ ELEKTROMOS</u></b> <b><u>HÁLÓZATRÓL</u></b></p> 
	<b>OLVASSA EL ÉS TARTSA BE EZEKET AZ UTASÍTÁSOKAT</b> <b>A használati utasításban szereplő utasítások figyelmen kívül hagyása elektromos áramütés okozta személyi sérüléssel vagy halállal végződhet.</b>

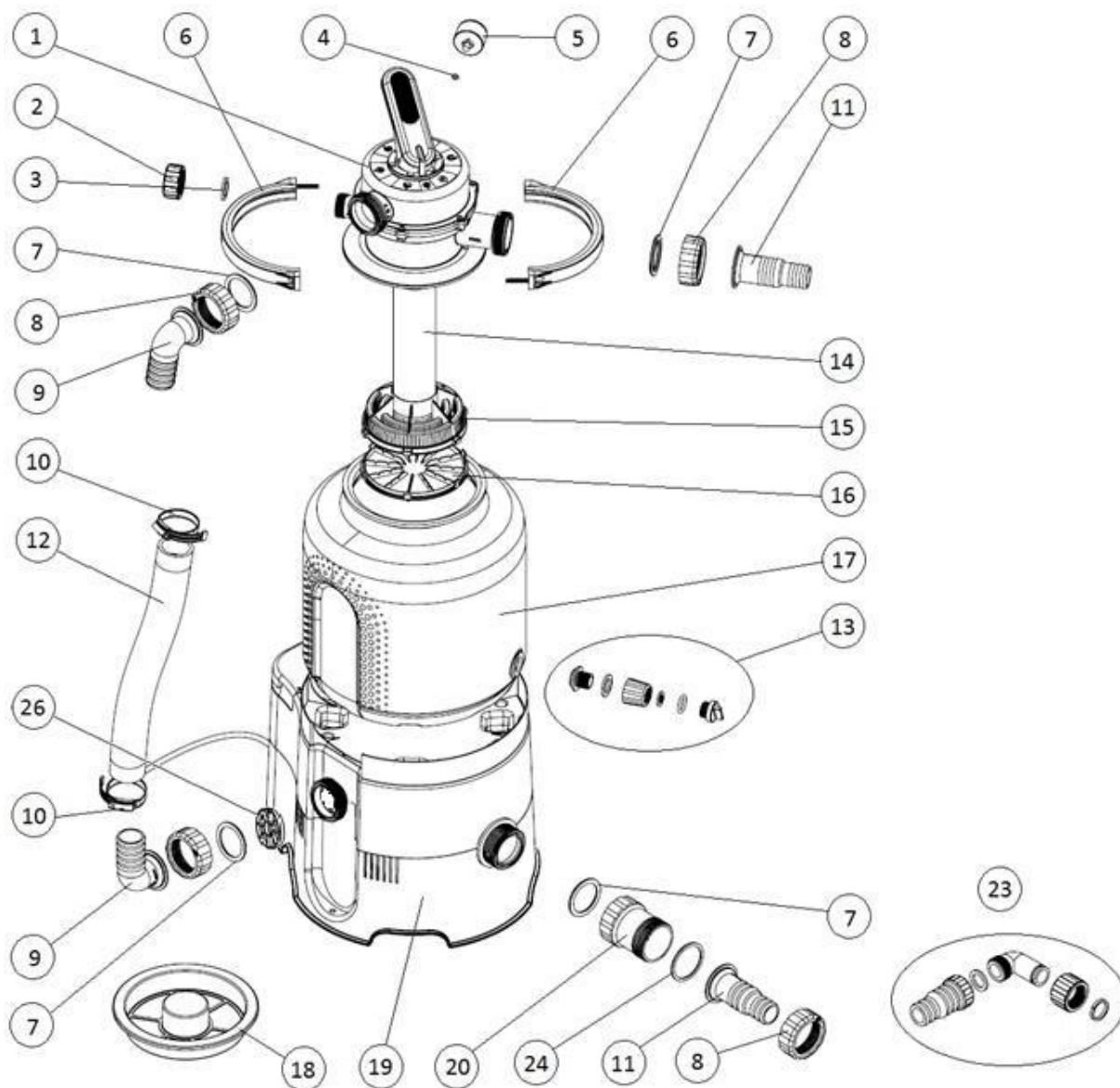
- A készüléket csak a 8 évnél idősebb gyermekek vagy a csökkent szellemi vagy mentális képességű, vagy a használatához szükséges kellő gyakorlattal és tapasztalattal nem rendelkező felnőttek csak akkor használhatják, ha felügyelet alatt vannak, és kellő tájékoztatást kaptak a berendezés biztonságos használatáról és megértették az esetleges veszélyeket. A készülék nem játékszer. A gyermekek nem végezhetik felügyelet nélkül a készülék tisztítását és karbantartását.
- A készülék csak a Cseh Műszaki Szabvány (CSMSZ) szerinti elektromos hálózatra csatlakoztatható a medencétől legalább 3,5 méteres távolságban lévő, a 30 mA-t meg nem haladó névleges lekapcsoló áramú áramvédővel védett dugaljon keresztül.
- A készüléket közvetlenül a dugaljba csatlakoztassa. Hosszabbító használata esetén csak a CSMSZ-nak megfelelő kültéri használatú hosszabbítót használjon.
- Ne próbálja meg a villás csatlakozót kihúzni vagy bedugni a dugaljba, ha nedves a keze vagy, ha a vízben áll.
- A készüléket úgy helyezze el, hogy ne szolgáljon fellépőként a gyermekeknek a medencébe lépéskor.
- Tartsa a gyermekeket biztonságos távolságban a készüléktől és a tápkábeltől. Ellenőrizze, hogy a készülékkel ne játszanak.
- A készülék csatlakozó vezetékét ne ássa a földbe, és akadályozza meg a sérülését. Helyezze el úgy, hogy ne sérülhessen a fűnyírótól, sövényvágó ollótól vagy hasonló eszközöktől.
- A csatlakozó vezeték villás dugóját hagyja szabadon a készülék azonnali áramtalanítása érdekében.
- A medencébe lépés előtt a készüléket áramtalanítsa. A készülék nem használható, ha a medencében emberek tartózkodnak.
- Soha ne üzemeltesse a készüléket víz nélkül.
- Soha ne üzemeltesse a sérült vagy hiányos készüléket. A hibákat azonnal szüntesse meg. Javításhoz és karbantartáshoz csak eredeti pótalkatrészeket használjon.
- Soha ne kapcsolja be a készüléket, ha a hatutas szelep a ZÁRVA pozícióban van, vagy ha a keringtető rendszer csöve nem átjárható; ezzel sérülhet, megrepedhet, leszakadhat a hatutas szelep fedele, ami személyi sérüléshez vagy yoni károkhoz vezethet.
- Rendszeresen ellenőrizze a szűrő eltömődését és tisztítsa ki a szivattyú előszűrőjét, illetve a szkimmer kosarát, hogy elkerülje a szivattyú sérülését, és biztosítsa a rendszer megfelelő működését.
- Az A hangnyomás szintje a kezelőszemélyzet helyén nem haladja meg a 70 dB(A) értéket.

## Alkatrészjegyzék – AZURO 2m<sup>3</sup>/h



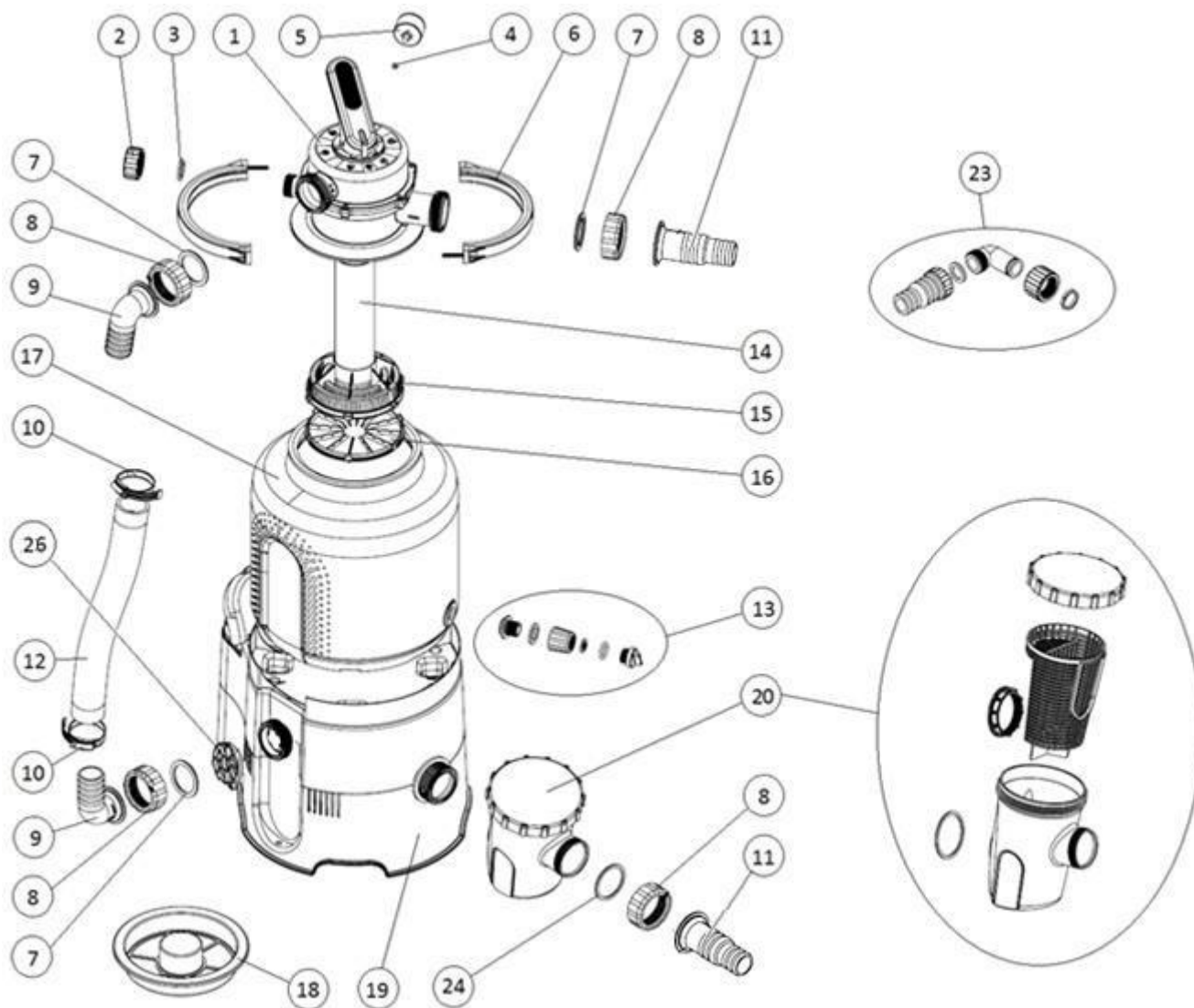
Tétel	Elnevezés	Mennyiség	Tétel	Elnevezés	Mennyiség
1	Többutas szelep	1	14	Szívócső	1
2	Dugó	2	15	Szívókosár	1
3	A dugó lapos tömítése	2	16	A szívókosár alja	1
4	A manométer lapos tömítése	1	17	Edény	1
5	Manométer	1	18	Anyagszekrény	1
6	Az 1/2-es szelep karimája, ideértve az összekötést is	2	19	Alapzat szivattyúval	1
7	A tűskék és a könyökök alaktömítése	4	20	Előszűrő	1
8	A tűskék és a könyökök áthúzó anyája	4	21	Medence tömlő 3 rész	2
9	Könyök D38	2	22	Tömlőbilincs 25-40	4
10	Tömlőbilincs 40-60	2	23	Hulladékkészlet	1
11	Tüske D32/38	2	24	Az előszűrő lapos tömítése	1
12	Összekötő tömlő	1	25	Teflon szalag	1
13	Leeresztő szűrő	1	26	Idegen tárgyak bejutását akadályozó rács	1

## Alkatrészjegyzék – AZURO 4m<sup>3</sup>/h (T)



Tétel	Elnevezés	Mennyiség	Tétel	Elnevezés	Mennyiség
1	Többutas szelep	1	14	Szívócső	1
2	Dugó	1	15	Szívókosár	1
3	A dugó lapos tömítése	1	16	A szívókosár alja	1
4	A manométer lapos tömítése	1	17	Edény	1
5	Manométer	1	18	Anyagszekrény	1
6	Az 1/2-es szelep karimája, ideértve az összekötést is	2	19	Alapzat szivattyúval	1
7	A tűskék és a könyökök alaktömítése	4	20	Előszűrő	1
8	A tűskék és a könyökök áthúzó anyája	4	21	Medence tömlő 3 rész	2
9	Könyök D38	2	22	Tömlőbilincs 25-40	4
10	Tömlőbilincs 40-60	2	23	Hulladékkészlet	1
11	Tüske D32/38	2	24	Az előszűrő lapos tömítése	1
12	Összekötő tömlő	1	25	Teflon szalag	1
13	Leeresztő csavarozás	1	26	Idegen tárgyak bejutását akadályozó rács	1

## Alkatrészjegyzék – AZURO 6m<sup>3</sup>/h (T)



Tétel	Elnevezés	Mennyiség	Tétel	Elnevezés	Mennyiség
1	Többutas szelep	1	14	Szívócső	1
2	Dugó	1	15	Szívókosár	1
3	A dugó lapos tömítése	1	16	A szívókosár alja	1
4	A manométer lapos tömítése	1	17	Edény	1
5	Manométer	1	18	Anyagszekrény	1
6	Az 1/2-es szelep karimája, ideértve az összekötést is	2	19	Alapzat szivattyúval	1
7	A tűskék és a könyökök alaktömítése	4	20	Előszűrő	1
8	A tűskék és a könyökök áthúzó anyája	4	21	Medence tömlő 3 rész	2
9	Könyök D38	2	22	Tömlőbilincs 25-40	4
10	Tömlőbilincs 40-60	2	23	Hulladékészlet	1
11	Tüske D32/38	2	24	Az előszűrő lapos tömítése	1
12	Összekötő tömlő	1	25	Teflon szalag	1
13	Leeresztő csavarozás	1	26	Idegen tárgyak bejutását akadályozó rács	1

## **Rendeltetés**

Ez a szűrőegység az időszakos használatú föld feletti medencék vízszűrésére szolgál. Nem alkalmas az egész évben üzemeltetett medencékhez. A szűrés szivattyúja nem önszívó, ezért a szűrést a vízszint alá kell telepíteni a medencében természetes vízelárástással.

**FIGYELMEZTETÉS:** A jelen használati utasításban szereplő ábrák csak szemléltető jellegűek, és eltérhetnek a ténylegesen leszállított terméktől. Fenntartjuk a jogot a termék teljes vagy részleges módosítására, akár előzetes figyelmeztetés nélkül is.

### **A szűrőegység használatának feltételei:**

- a víz pH-értéke 6 - 8,5
- szabad klór tartalom max. 10 mg/l
- oldható sók tartalma max. 0,5%

## **Az üzembe helyezés előtt**

A készülék összeszerelése és üzembe helyezése előtt csomagolja ki az összes alkatrészt.

A szűrés és a környezet között hagyjon a készülék üzemeltetéséhez szükséges biztonságos távolságot.

A szűrést alapzatra kell állítani (például betonlemez és hasonló). A lemezt támassza alá, és hozza vízszintbe vízmérték segítségével. A készülék nem állhat a fűvön, mert fennáll a szivattyú túlmelegedése.

Akadályozza meg a készülék elárasztását. Az elárasztás a készülék sérüléséhez vagy a személyek áramütéséhez vezethet.

Ha a medencét részlegesen vagy teljesen a talajba süllyesztette, a készüléket egy szűrőaknába kell telepíteni, amely összeköttetésben áll a medencével. Ha a szűrést egy aknába telepítette, ellenőrizze, hogy az aknát ne áraszsa el víz. Azért, hogy ezt elkerülhesse, alakítson ki kavicságyat az aknában a kiszivárgó víz elvezetésére közvetlen csatlakozással a szennyvízcsatornára. Fontos az akna szellőzésének biztosítása, mivel a kicsapódó víz miatt sérülhet a készülék.

A további szükséges felszerelés, például a tömlők, a tömlőcsatlakozók és a szűrőhomok (nem része a csomagnak) rendelkezésre állnak az eladónál.



**A szűrés nem működhet szárazon (víz nélkül)!!! Ha szűrést ily módon használja, megszűnik a jótállás.**

## **Műszaki adatok**

	<b>SWING PLUS 10</b>	<b>SWING PLUS 14 (T)</b>	<b>SWING PLUS 18 (T)</b>
Feszültség	230 V / 50 Hz	230 V / 50 Hz	230 V / 50 Hz
Teljesítmény	85 W	190 W	250 W
Átfolyás a rendszeren át	2 m <sup>3</sup> /h	4 m <sup>3</sup> /h	5 m <sup>3</sup> /h
Védelem	IP X5	IP X5	IP X5
Kinyomás	1,5 m	1,5 m	1,5 m
Szűrőátmérő	143 mm	143 mm	143 mm
Hatékony szűrőfelület	0,036 m <sup>2</sup>	0,036 m <sup>2</sup>	0,036 m <sup>2</sup>
Üzemi nyomás	0,2 bar	0,3 bar	0,5 bar
Maximális üzemi nyomás	0,4 bar	0,6 bar	1,0 bar
A víz maximális hőmérséklete	35 °C	35 °C	35 °C
Homoktöltet	10 kg	14 kg	18 kg
Szemcseméret	0,6 – 1,2 mm	0,6 – 1,2 mm	0,6 – 1,2 mm



**Óvja a környezetet!** Ne dobja a készüléket a települési hulladékba. A termék elektromos/elektronikus alkatrészeket tartalmaz. A 2012/19/EU európai irányelv értelmében az elektronikus/elektromos készülékek az élettartamuk végén nem dobhatók a települési hulladékba, hanem át kell adni ökológiai ártalmatlanításra az erre szolgáló gyűjtőhelyen. Az ilyen helyekről szóló információk elérhetők a település hivatalánál.

## **Összeszerelés**

**Megjegyzés:** Tekintettel arra, hogy minden kapcsolat tömítéssel rendelkezik, nem szükséges túlságosan meghúzni a csavaranyákat. Ezzel sérülhetnek a műanyag alkatrészek.

**Megjegyzés:** Az összeállításhoz keresztfejes vagy lapos csavarhúzóra és egy 10-es imbuszkulcsra lesz szüksége.

### **1. A leeresztő csavar beszerelése a tartályba**

A tartály leeresztő nyílásán át a belső oldal felől nyomja át a menetes ellendarabot **(1.1 ÁBRA)**. A kilógó menetre húzza fel a tömítést, és csavarja fel a csövet **(1.2 ÁBRA)**. Helyezze be ebbe a homok kijutását megakadályozó szűrőt. A szűrőt nyomja be a dugó becsavarozásával és a tömítő O-gyűrűvel **(1.3 ÁBRA)**. A kapcsolat tömítéséhez elég a kézi meghúzás. Fogó használatával megsértheti az alkatrészeket.

#### **1.A A 10 literes leeresztő torkolatos tartályoknál a következők szerint járjon el:**

A tartály leeresztő nyílásán át a belső oldal felől nyomja át leeresztő szűrőt **(1.4 ÁBRA)**. A menetes torkolatra csavarozza fel a dugót a tömítéssel **(1.5 ÁBRA)**. A kapcsolat tömítéséhez elég a kézi meghúzás. Fogó használatával megsértheti az alkatrészeket.

### **2. A szívókosár összeszerelése**

A szívókosár alját kösse össze magával a kosárral a kerülete mentén lévő 6 karmantyús zár bekattintásával. Az összeszerelt szívókosárba helyezze be a szívócsövet **(2.1 ÁBRA)**. Az egységet helyezze az üres edénybe **(2.2 ÁBRA)**, rögzítse a helyzetét a beszóró felhelyezésével **(2.3 ÁBRA)**. Az edény most készen áll a homokkal történő megtöltésre.

### **3. A homok betöltése**

Javasoljuk, hogy az edényt a homok betöltése előtt állítsa alapzatra a szivattyúval együtt. A teli edény mozgatása nehézkes. Az edény oldalsó túlnyúlásai illeszkednek az alapzat túlsajtolásaival, a leeresztő csavarnak a kapcsolótól távolodó irányba kell néznie **(3.1 ÁBRA)**.

A felhelyezett beszóróval szórja az edénybe a szükséges mennyiségű homokot **(3.2 ÁBRA)**. A homok szintje az edényben érje el a felső túlsajtolás felső részét **(3.3 ÁBRA)**. Most vegye ki a beszórót, és az edény töltő torkolatának tömítőfelületéről távolítsa el a homokszemeket, esetleg más szennyeződést.

### **4. A többutas szelep szerelése**

A szelepről alulról helyezze fel az O-gyűrűt, és helyezze a feltöltött edény torkolatára. A szelepet fordítsa el úgy, hogy a PUMP / ČERP torkolat azzal azonos irányba nézzen, mint a szivattyú kimenete az edény alapzatán. Majd helyezze fel az edény és a szelep felhelyezésére szolgáló két fél záróbilincset, kösse össze a csavarokat **(4.3 ÁBRA)**, és azonos mértékben húzza meg.

A nyomásmérő nyílásába helyezze be a kis gumitömítést, csavarozza fel a nyomásmérő házát **(4.1 ÁBRA)**, és könnyű kézmozdulattal szorítsa meg.

**!!! Szenteljen fokozott figyelmet a helyes felcsavarozásnak, mert megsérülhet a finom menet!!!**

A WASTE / ODPAD torkolatra csavarozza fel a dugót a tömítéssel **(4.2 ÁBRA)**.

### **5. A lecsatlakoztató tömlő felszerelése**

Húzza fel a tömlőre az összehúzó kapcsot, mindkét tömlőbe tolja be a könyökidomot a ráhúzó csavarral együtt **(5.1 ÁBRA)**. A szivattyú oldalsó kimeneteibe helyezze be a szilárd részek behatolása elleni rácsot **(5.2 ÁBRA)**, majd erre a kimenetre és a PUMP / ČERP szelep torkolatára csatlakoztassa az előkészített tömlőt az áthúzó csavaranyákkal és a tömítéssel **(5.3 ÁBRA)**.

**!!! A tömlőcsatlakozókat csak az áthúzó csavaranyák meghúzása után szorítsa meg!!!**

### **6. Az előszűrő és a tüskék szerelése**

Az átlátszó előszűrőt szerelje fel a szivattyú szívótorkolatára, majd erre az összekötő tömlőtüskét **(6.1 ÁBRA)**.

**!!! Ügyeljen a felhasznált tömítésre!!!**

#### **6.A A nagy előszűrővel szerelt SWING PLUS 18 szűrésnél a következők szerint járjon el:**

Az előszűrő házát a tömítéssel együtt húzza fel a szivattyú torkolatára, és rögzítse az áthúzó csavart az előszűrőben, majd helyezze a szennyeződés kosarát az előszűrőbe, és zárja le az O-gyűrűs fedéllel. A torkolatra az áthúzó csavaranyája segítségével szerelje fel az összekötő tüskét **(6.2 ÁBRA)**.

**!!! Ügyeljen a felhasznált tömítésre!!!**

A POOL / BAZÉN szelep torkolatára csavarozza fel a másik csatlakozó tömlőtüskét **(6.3 ÁBRA)**.

### **7. A készülék csatlakoztatása a medencéhez – lásd 7.1 ÁBRA és 7.2 ÁBRA**

A megfelelő medence tömlőkkel és tömlőkapcsolatokkal csatlakoztassa a készüléket a medencéhez.

## A készülék üzemeltetése

### 1. A szivattyú elárasztása / légtelenítése

Vegye le az „ODPAD / WASTE” (8.1 ÁBRA) torkolat dugóját, a szelep karját helyezze az LÉGTELENÍTÉS állásba, és várjon, amíg a torkolatból folyni kezd a víz (8.2 ÁBRA). Ezután tolja át a szelep karját a ZÁRVA helyzetbe, majd csavarozza vissza a dugót. Végül helyezze a szelep karját a SZŰRÉS helyzetbe. Most már üzembe helyezhető a szűrés.

Az első használat vagy a homoktöltet cseréje után végezze el először a homok öblítését.

### 2. Indítás

A bölcső kapcsolóval a szűrés hátsó részén helyezze működésbe a készüléket.

BEKAPCSOLVA – 9.1 ÁBRA

KIKAPCSOLVA – 9.2 ÁBRA



**Mielőtt a készüléket először csatlakoztatja az elektromos hálózathoz, ellenőrizze a szelep helyzetét!**

**Soha ne kapcsolja be a készüléket, ha a hatutas szelep helyzete a ZÁRT pozícióban van, vagy ha a cső a keringtető rendszerben nem átjárható.**

### 2. A „T” jelű SWING szűrés fel van szerelve beállítható időzítővel (9.3 ÁBRA):

A tolókapcsoló segítségével válassza ki a kívánt funkciót. Az időzítő 20 perces intervallumokban állítható be 24 órás ciklusokban. Egy vágás 20 percnél felel meg, vagyis 3 vágás = 1 óra. A LED dióda a készülék működését jelzi.

### 3. Használat

A szelepet állítsa a SZŰRÉS pozícióba, és kapcsolja be a készüléket. Rendszeresen ellenőrizze a szűrés áramlását (a nyomásmérőn a nyomást), majd az észlelt értékek alapján végezze a homok öblítését.

Határozza meg a szűrés időtervét tekintettel a medence méretére és a használat gyakoriságára. A helyes szűrés feltétele, hogy a medencében lévő víz legalább naponta egyszer átszűrésre kerüljön. A szűrés minimális üzemidejét tehát a medence térfogata és a szűrés áramlása határozza meg.

*Példa: Egy 10 m<sup>3</sup>-es medencénél SWING PLUS 10 szűréssel és 2 m<sup>3</sup>-es átfolyással ez az idő 5 óra.*

### 4. Az előszűrő tisztítása

A látható szennyeződések, esetleg a szűrés funkciója korlátozása esetén tisztítsa ki az előszűrőt vízszugárral (10.1 ÁBRA). A SWING PLUS 18 szűrésnél öblítse át a belső szűrőkosarat is (10.2 ÁBRA).

### 5. A homok öblítése

Az edényben lévő nyomás alapján ismerhető fel, hogy át kell-e öblíteni a szűrőközeget. A tisztító szűrőhomokkal történő első indításkor jegyezze fel a nyomásértéket; a növekedése esetén több mint egy egységgel a skálán végezze el az ÁTÖBLÍTÉST (2-3 perc) + a KIÖBLÍTÉST (kb. 30 másodperc), lásd „A szelepek egyes pozícióit”. A mindennapi szűréskor legalább heti egyszer ajánlott a homok átöblítése.

A szűrés funkcióhoz, például az ÁTÖBLÍTÉSHEZ, KIÖBLÍTÉSHEZ, HULLADÉKHOZ, használható a szennyvízkészlet - a kilépő torkolaton „ODPAD / WASTE” és a dugó helyett csavarozza fel közvetlenül a tuskét, esetleg a könyökidomot a tuskével a szennyvíztömlőhöz.

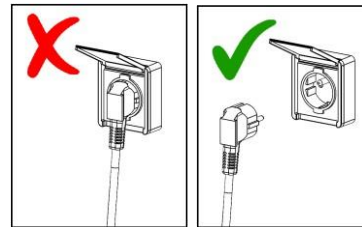
**A VÍZ „ODPAD / WASTE” TORKOLATBÓL TÖRTÉNŐ KIERESZTÉSEKOR ELLENŐRIZZE, HOGY BETARTJA-E A SZENNYVÍZKEZELÉSEL KAPCSOLATOS ÖSSZES JOGSZABÁLYI RENDELKEZÉST. NE ERESSZE KI A SZENNYVÍZET OLYAN HELYRE, AHOL AZ ELÁRASZTÁS KÁROKAT OKOZHAT. A „HULLADÉK / WASTE” TORKOLAT FELSZERELHETŐ CSAVAROZÁSSAL A SZENNYVÍZTÖMLŐ BEKÖTÉSÉRE. A SZŰRÉSKOR A „HULLADÉK / WASTE” TORKOLAT LEGYEN BEZÁRVA DUGÓVAL.**



## A többutas szelep vezérlése



**A szelep helyzetváltatása előtt mindig áramtalanítsa a készüléket.** A kezelés előtt várjon legalább fél percet a szivattyú kikapcsolása után – eközben leülepednek az örvénylő szennyeződések és a homok.



A kart nyomja lefelé (12.1 ÁBRA), fordítsa a kívánt helyzetbe (12.2 ÁBRA).

## Felügyelet

A látható szennyeződések a szűrőrendszer távolítja el. Ez viszont nem érvényes a moszatokra, a baktériumokra és a mikroorganizmusokra, amelyek állandó akadályt képeznek a tiszta és az egészségre ártalmatlan medencevíz elérésében. A megelőzéshez számos termék áll rendelkezésre, amelyek megfelelő koncentrációja tartós hatást fejt ki a fent említett veszélyek ellen a medencéjében, és fenntartja az egészségre ártalmatlan és tiszta vizet.

## Karbantartás

A fürdési idény alatt rendszeresen ellenőrizze a készülék üzemelését. Ez azért is fontos, hogy időben észlelje a hibát, amit ily módon a lehető leggyorsabban elháríthat. A beszállító nem vállalja a felelősséget a szűrőegység vagy az elektromos telepítés hibái miatt keletkezett utólagos károkért.

Rendszeresen öblítse át a homokot. Ha az átöblítés után sem javul a szűrőhomok átjárhatósága, vagyis a nyomásmérőn mért nyomás az átöblítés után is magas, cserélje ki a homokot.

Sem a szűrő fedelét, sem a tartályát ne tisztítsa semmilyen oldószerrel, mert ezzel sérülhet a felülete (elveszik a fénye, az áttetszősége, stb.).

## Téliesítés

A fürdési idény végén a szűrést ki kell tisztítani, le kell ereszteni, szét kell szerelni és el kell tárolni. Kösse le a medence szűrését, majd a szűrőedény alján elhelyezkedő leeresztő szeleppel eressze le az edényből a vizet. Nyissa ki a szűrőedényt, és vegye ki a homokot. Tisztítsa ki a homokot, távolítsa el az összegyűlt részecskéket. A homokot rendszeresen cserélje az edényben.

A szűrést szerelje újra össze, és télire helyezze egy fagymentes, száraz helyre. A szelep karját tolja a LÉGTELENÍTÉS / TÉLIESÍTÉS köztes állapotba, amely a szűrés téliesítéséhez használható.

## Jótállási feltételek és szerviz

A jótállási feltételek úgy érvényesek, ahogyan a forgalmazó Jótállási jegyén szerepelnek.

Amennyiben tanácsra, szervizre vagy pótalkatrészre van szüksége, akkor forduljon a termék eladójához. Javításhoz és karbantartáshoz csak eredeti pótalkatrészeket használjon.

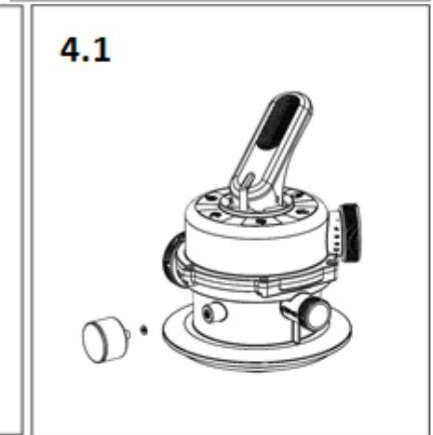
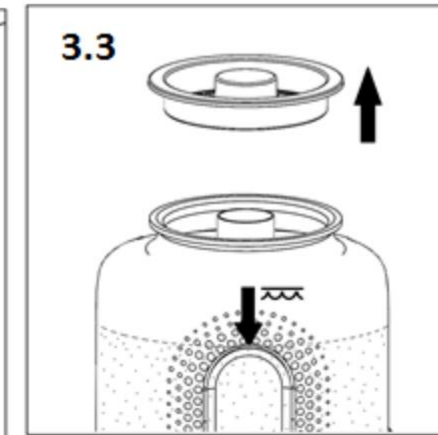
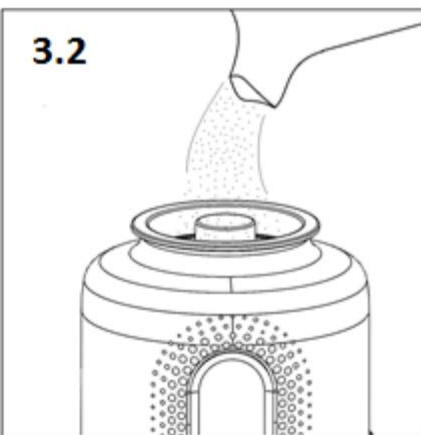
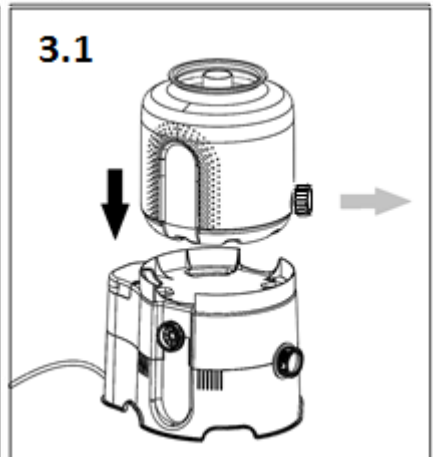
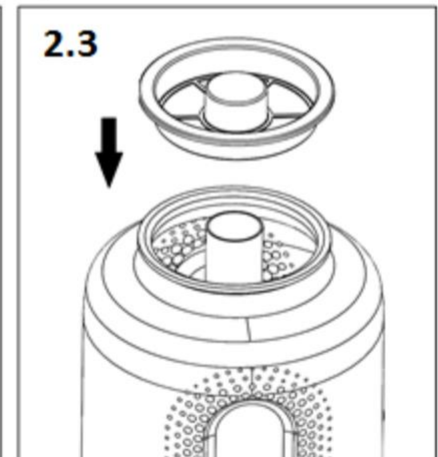
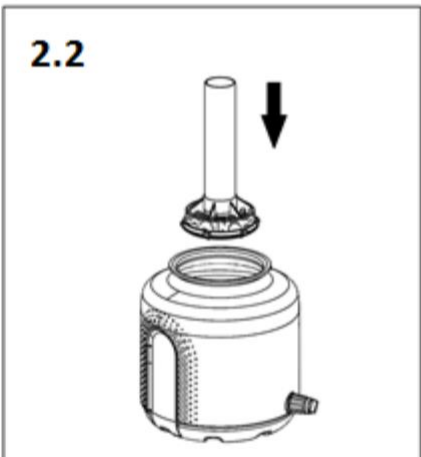
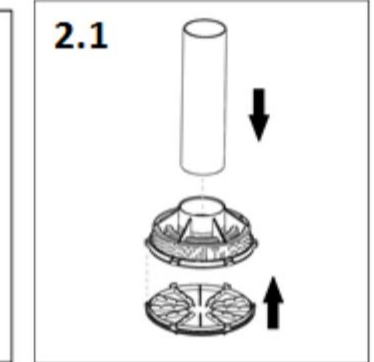
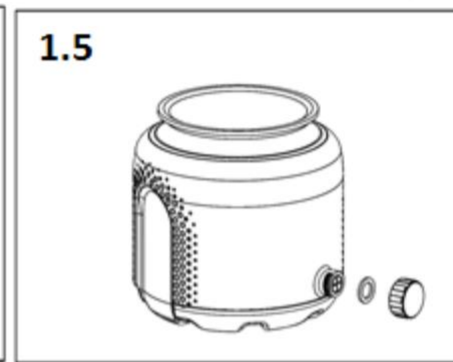
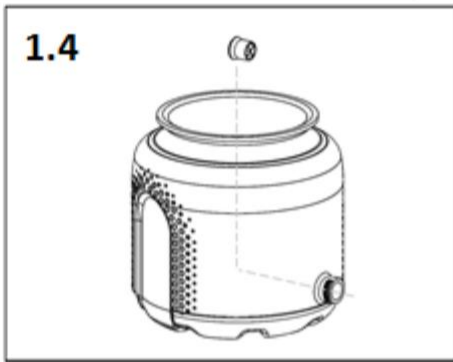
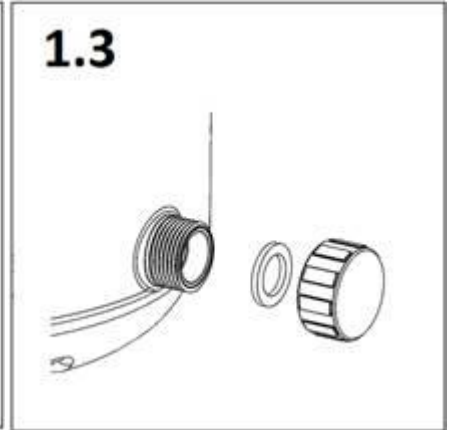
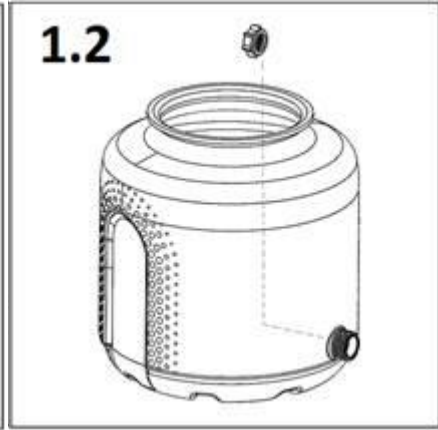
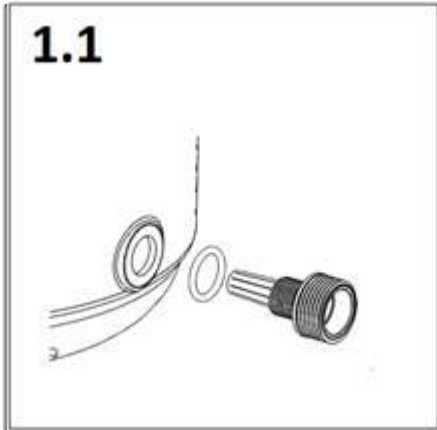
## A termékvizsgálatok

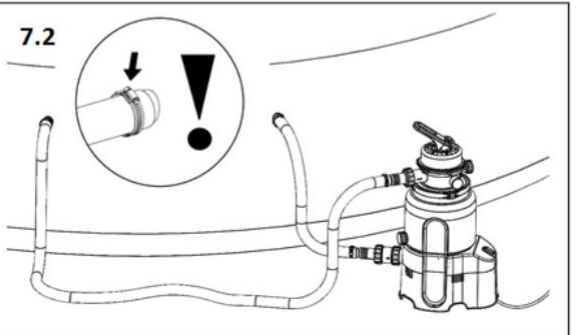
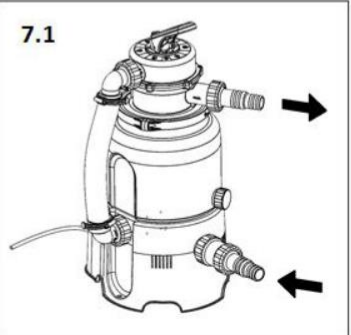
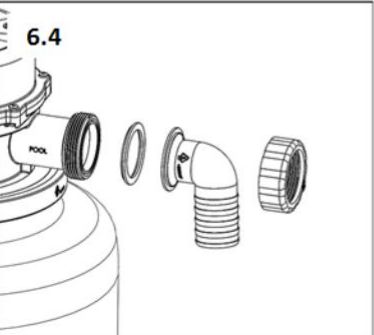
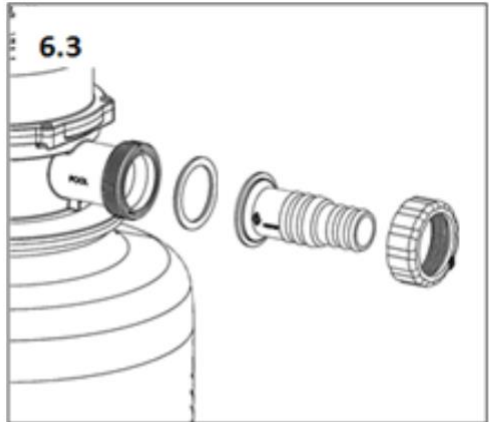
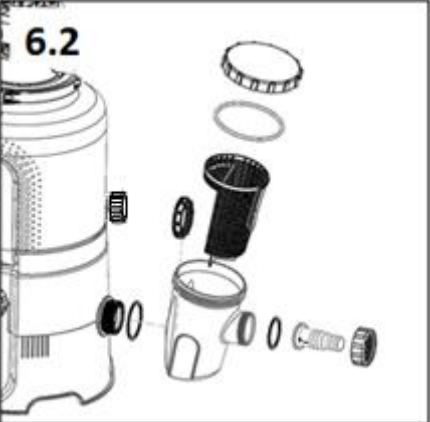
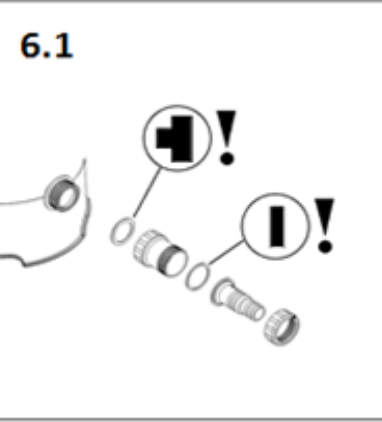
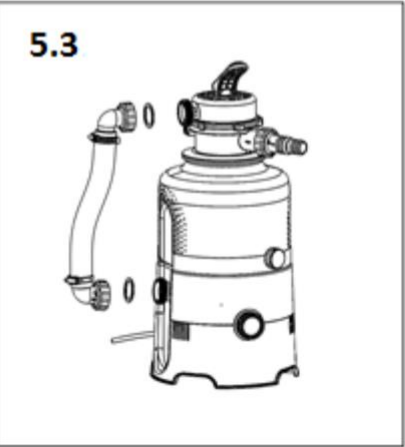
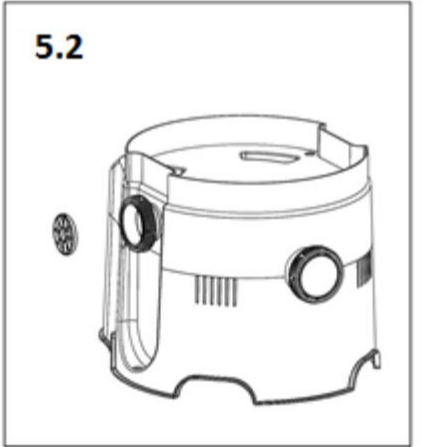
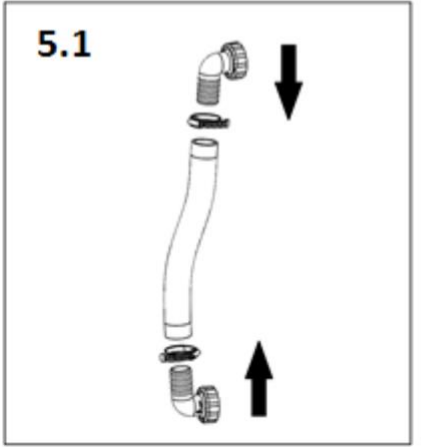
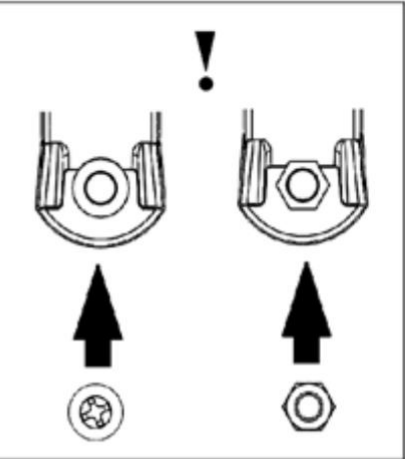
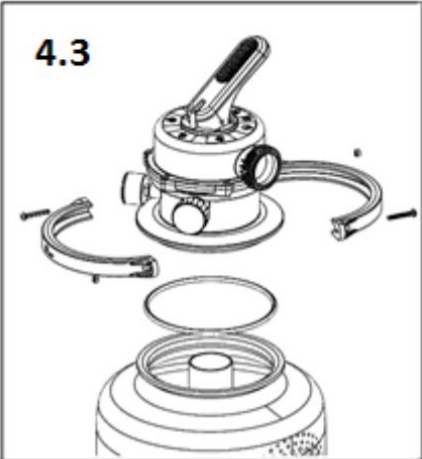
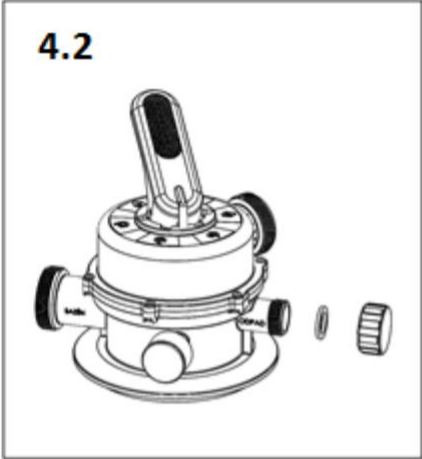
A termékre vonatkozik az EN 60335-2-41 szabvány, továbbá összhangban áll a 2006/42/EU (elektromágneses kompatibilitás), a 2014/35/EU (elektromos berendezések) és az RoHS irányelv követelményeivel az elektromos berendezésekben lévő veszélyes anyagok tartalmával kapcsolatban.

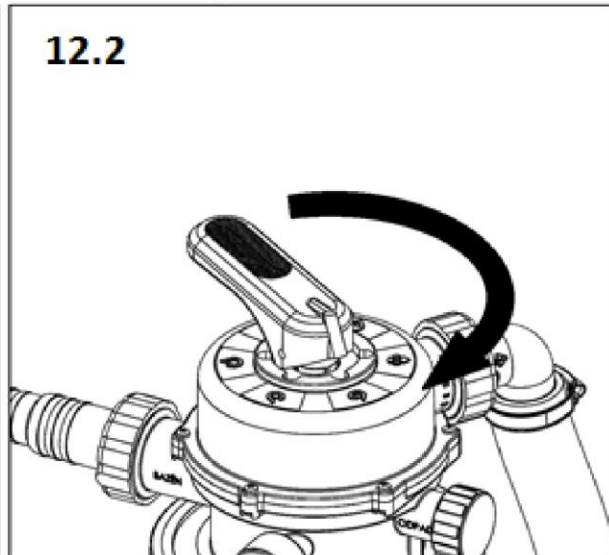
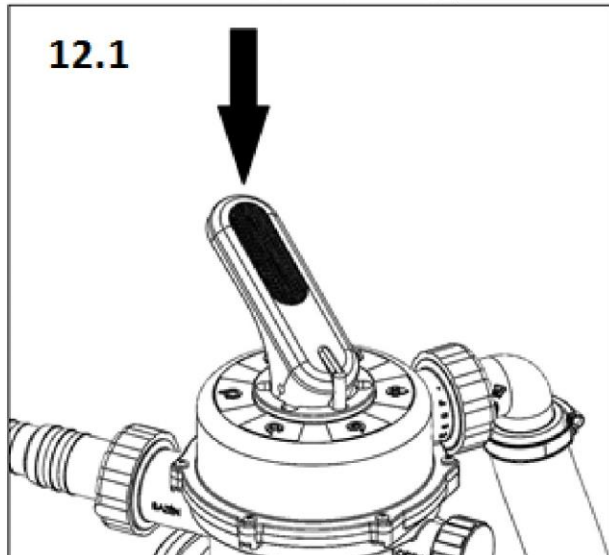
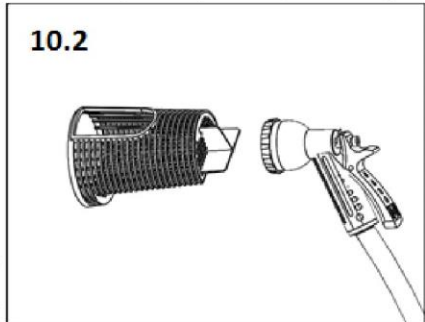
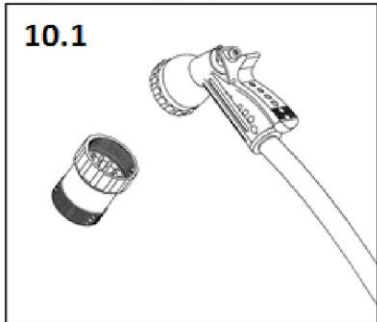
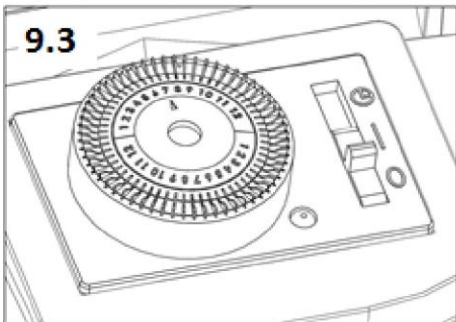
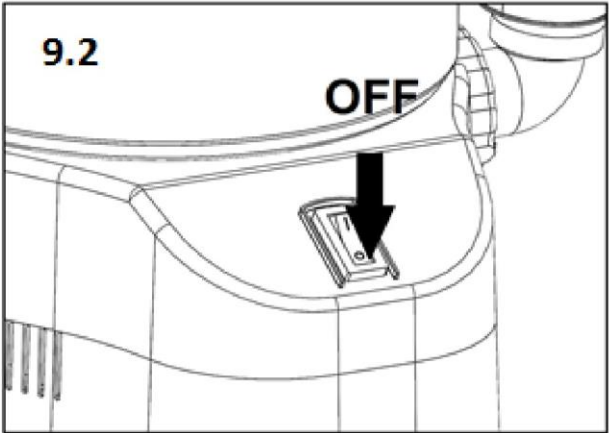
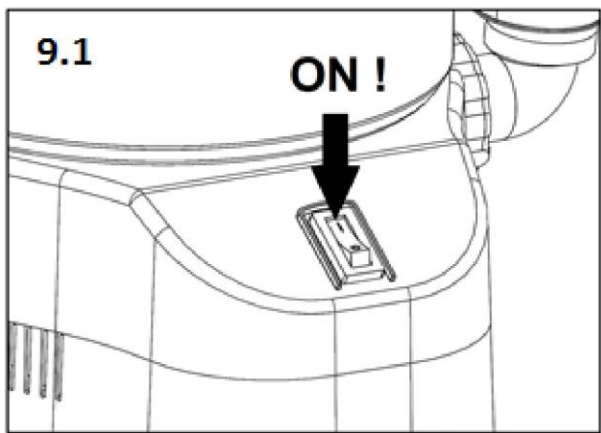
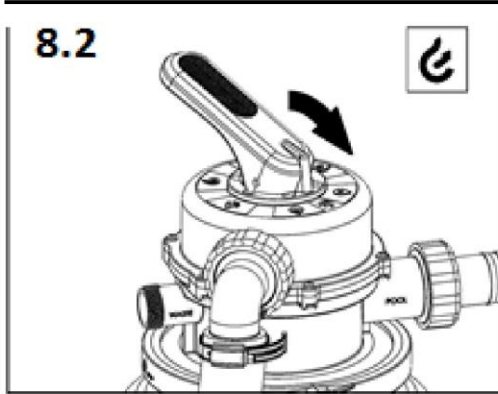
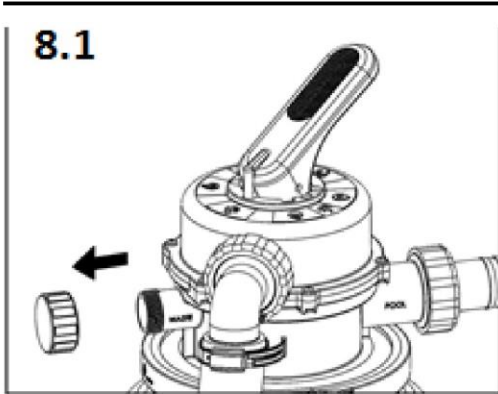
A terméket a Státní zkušebně strojů a.s. (Állami gépvizsgáló intézet) vizsgálta be.

## Problémamegoldás

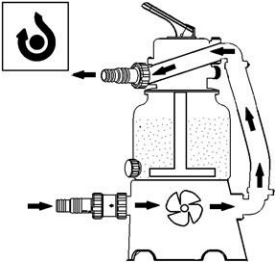
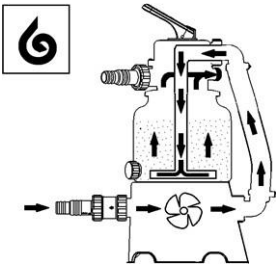
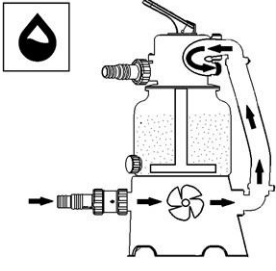
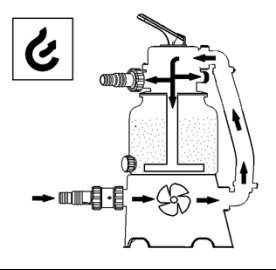
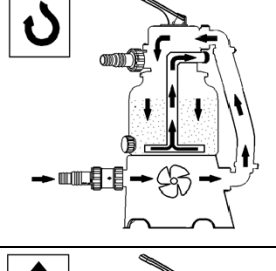
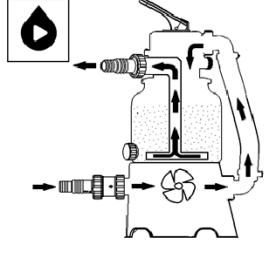
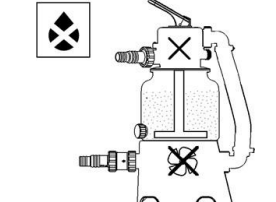
Gyenge átfolyás vagy nincs átfolyás	A szűrés nem került légtelenítésre	Légtelenítse a szűrést
	A szelep kar ZÁRVA pozícióban van	Nyissa ki a SZŰRÉS pozícióba
	Túl sok szennyeződés a homokban	Lazítsa meg az ÁTÖBLÍTÉSt vagy cserélje ki a homokot
	Eltömődött előszűrő	Szerelje le és öblítse át az előszűrőt
	Eltömődött szkimmer	Szerelje le és öblítse át a szkimmer kosarát
	Sérült szűrés	Hívja a szervizt
A medencébe homok jut	A szelepkar kezelése a bekapcsolt szűrésnél	A szelepkar kezelése előtt kapcsolja ki a szűrést
	A szűrőhomok kis szemcseméretű	Az ajánlott szemcseméret 0,6 – 1,2 mm
	Magas homokszint az edényben	Csökkentse a homokszintet az edényben
A szivattyú levegőt szív (a rendszerben buborékok keringenek)	Nincs megfelelően megszorítva a kapcsolat	Óvatosan húzza meg az áthúzó csavaranyákat
	Szivárgás az előszűrő összekapcsolásaiban	Tömítse át a kapcsolatokat
	Sérült tömítés	Ellenőrizze a tömítést az „előre” kapcsolatoknál a szivattyún
Szivárog a víz a készülékből	Szivárgó tömítés	Szorítsa meg / tömítse át a kapcsolatokat
	Sérült tömítés	Ellenőrizze a tömítést
A medence víz nem tisztítható	Hiányos vegyszeres vízkezelés	Ellenőrizze a víz pH-értékét és a víz klórtartalmát
	Nem elég szűrési idő	Növelje a szűrési időt







## A szelepek egyes pozíciói

	<p><b>ÁTFOLYÁS</b> – a víz a készüléken át a homoktölteten kívül áramlik.</p>
	<p><b>ÁTÖBLÍTÉS</b> – a víz a homoktölteten ellenkező irányban áramlik, amivel kiáramlik belőle a szennyeződés, és a víz nem áramlik vissza a medencébe, hanem az „ODPAD” torkolaton át távozik – <b>távolítsa el a dugót!</b></p>
	<p><b>SZENNYVÍZ</b> – a víz a homoktölteten kívül áramlik az „ODPAD” torkolatba – <b>távolítsa el a dugót!</b> Pozíció a medence vízszintjének csökkentésére, esetleg a durva szennyeződések kiszívására szolgál.</p>
	<p><b>LÉGTELENÍTÉS / TÉLIESÍTÉS</b> – ennél a pozíciónál a szelep minden irányban átjárható, a szivárgó levegő lehetővé teszi a szivattyú kamra önműködő vízzel történő elárasztását. A pozíció a téliesítésre, esetleg a szűrés hosszabb időre történő leállítására is szolgál.</p>
	<p><b>KIÖBLÍTÉS</b> – a pozíció az új homoktöltettel történő első indításkor vagy az „ÁTÖBLÍTÉS” funkciókor használatos, amikor az örvénylő homok leülepszik, és kifolyik a szennyeződés az „ODPAD” torkolaton át – <b>távolítsa el a dugót!</b></p>
	<p><b>SZŰRÉS</b> – a szelep elsődleges pozíciója, a vizet a homoktölteten át szivattyúzza, és visszaáramoltatja a medencébe.</p>
	<p><b>ZÁRVA</b> – ne kapcsolja be a készüléket!</p>

# FILTRE À SABLE

Azuro 2m<sup>3</sup>/h  
Azuro 4m<sup>3</sup>/h  
Azuro 4m<sup>3</sup>/h + minuterie  
Azuro 6m<sup>3</sup>/h + minuterie  
**pour les piscines hors sol**

**FR**

Manuel d'installation, d'assemblage et d'utilisation



**VEUILLEZ ATTENTIVEMENT LIRE, COMPRENDRE ET ACCEPTER TOUTES LES INSTRUCTIONS DU PRÉSENT MANUEL AVANT D'INSTALLER ET D'UTILISER LE PRODUIT. CONSERVEZ LE PRÉSENT MANUEL POUR TOUTE UTILISATION ULTÉRIEURE.**

*Version 4/ Août 2021*

## Généralités

Fabriqué pour Mountfield a.s. par Garsys s.r.o., zone industrielle Důl František, K Prádlu, 735 Horní Suchá, 735 35 ; pays d'origine : République tchèque

## Consignes de sécurité



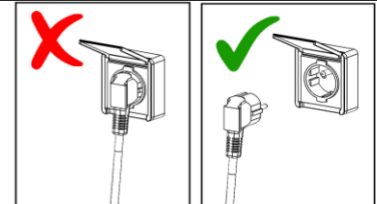
Ce symbole indique les instructions dont le non respect peut mettre la santé des personnes en danger.



Ce symbole indique les instructions dont le non respect peut causer des blessures par électrocution.



**DÉCONNECTEZ TOUJOURS L'ÉQUIPEMENT DE SON ALIMENTATION ÉLECTRIQUE AVANT DE COMMENCER À NAGER DANS LA PISCINE OU À LA MANIPULER D'UNE FACON QUELCONQUE.**



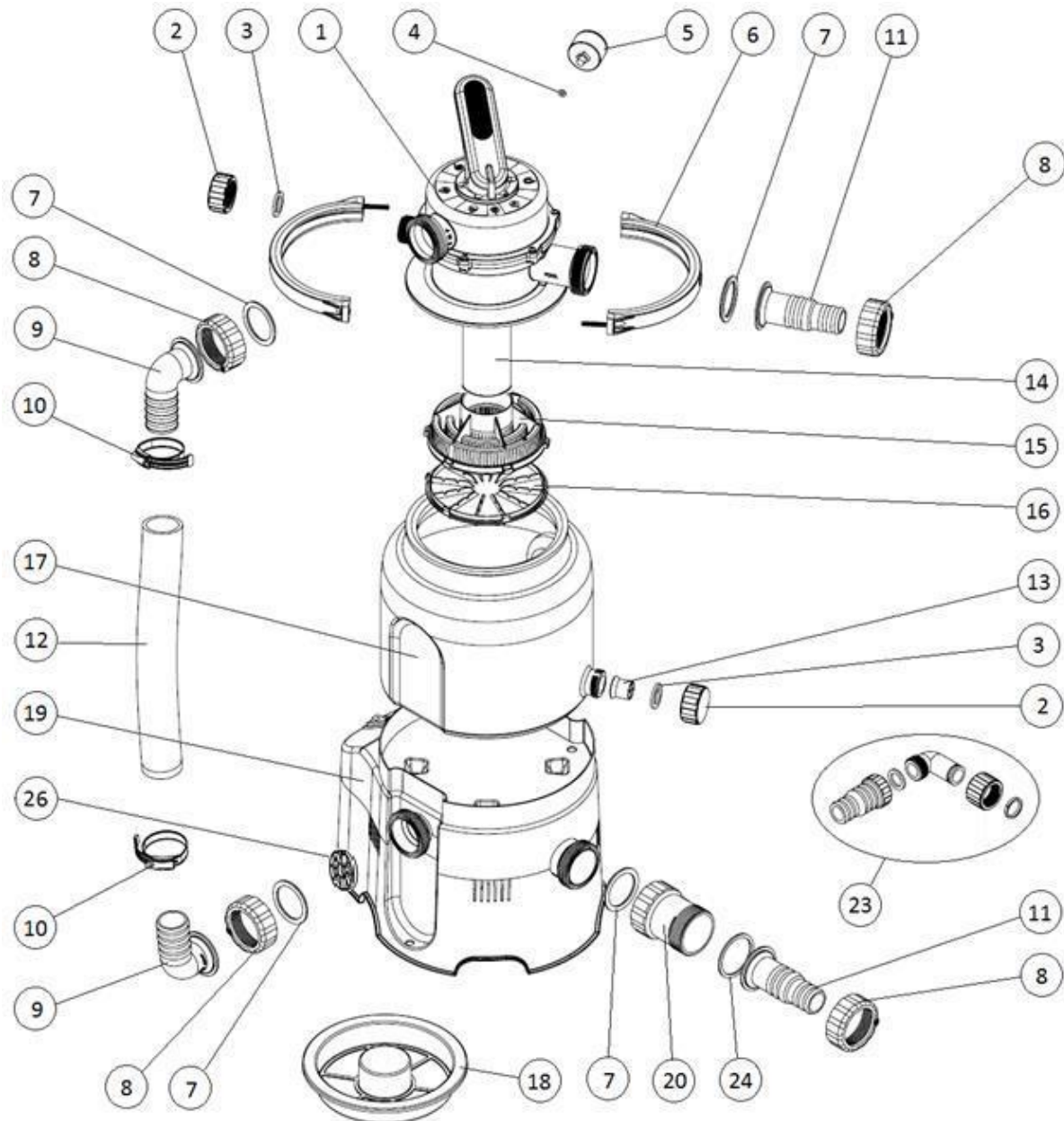
**LISEZ ET RESPECTEZ TOUTES LES INSTRUCTIONS.**

**Le non respect des instructions du présent manuel peut entraîner des blessures ou même provoquer la mort par électrocution.**

- Les enfants de plus de 8 ans et les personnes atteintes d'un handicap physique, sensoriel ou mental ou n'ayant aucune expérience ou connaissances ne peuvent utiliser l'équipement que sous surveillance ou après avoir été formés à l'utilisation sûre de l'équipement et avoir compris tous les risques existants. Les enfants ne doivent pas jouer avec l'équipement. Les enfants ne doivent pas effectuer le nettoyage et la maintenance sans surveillance.
- Assurez-vous que l'arrivée de l'alimentation électrique est conforme aux normes, qu'elle se trouve à au moins 3,5 m de la piscine et qu'elle est protégée par un disjoncteur différentiel dont le courant de défaut ne dépasse pas 30 mA.
- L'appareil doit être connecté directement à la prise électrique. Si une rallonge est utilisée, celle-ci doit être conforme aux normes pour une utilisation en extérieur.
- Ne débranchez jamais l'appareil de l'alimentation électrique avec des mains mouillées ou lorsque vous avez les pieds dans l'eau stagnante.
- Placez l'appareil pour que les enfants ne puissent pas l'utiliser comme une marche leur permettant d'accéder dans la piscine.
- Assurez-vous que les enfants restent à une distance de sécurité de l'appareil et de son câble d'alimentation. Assurez-vous que les enfants ne joueront pas avec l'appareil.
- N'enterrez pas le câble d'alimentation de l'appareil dans le sol (pour éviter son endommagement). Placez-le de façon qu'il ne puisse pas être endommagé par des tondeuses, taille-haies ou autres outils similaires.
- Laissez le câble d'alimentation accessible uniquement aux personnes responsables de la maintenance (au cas où il est nécessaire de déconnecter l'alimentation).
- L'appareil doit être déconnecté de l'alimentation avant que des personnes n'entrent dans la piscine. L'appareil ne doit pas être utilisé lorsque des personnes se trouvent dans la piscine.
- Ne faites jamais fonctionner l'appareil sans aucune eau.
- Ne mettez jamais en marche un appareil endommagé ou défectueux. Tous les défauts de l'appareil doivent être immédiatement réparés.  
N'utilisez que des pièces de rechange d'origine.
- Ne mettez jamais l'appareil en marche lorsque la vanne à six voies se trouve en position FERMÉ ou lorsque le circuit d'eau est obturé. Dans le cas contraire, il existe un risque d'endommagement, de panne, de rupture ou de délogement de son couvercle, ce qui peut entraîner des blessures ou des dommages matériels.
- Vérifiez régulièrement l'état de colmatage du filtre, la propreté du préfiltre et le panier du skimmer pour éviter un endommagement de la pompe et assurer un fonctionnement normal du système.



## Liste des composants – AZURO 2m<sup>3</sup>/h

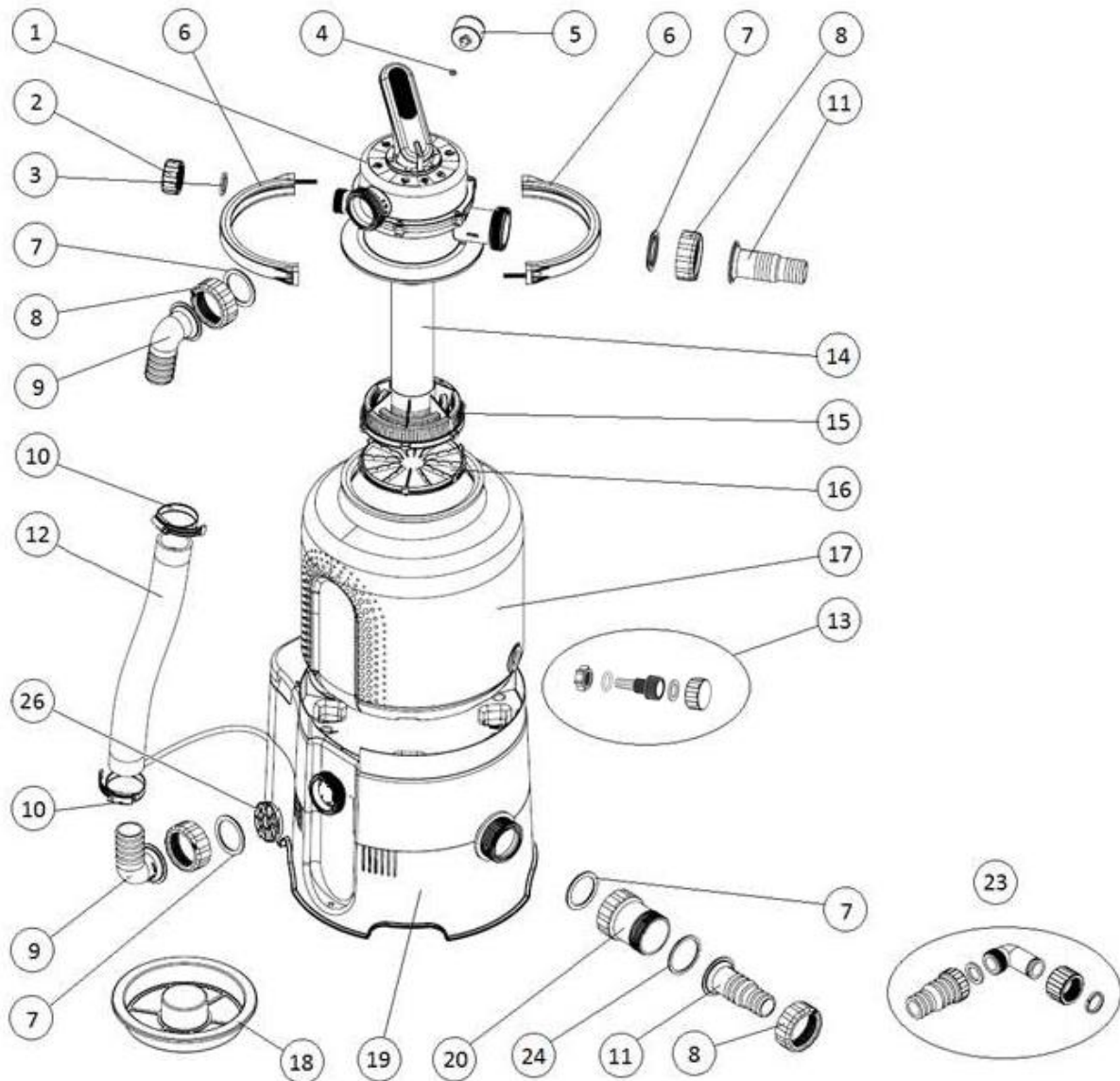


Article	Dénomination	Quantité
1	Vanne multivoies	1
2	Bouchon	2
3	Joint d'étanchéité plat	2
4	Joint d'étanchéité plat du manomètre	1
5	Manomètre	1
6	Demi collier avec matériel d'assemblage	2
7	Joints d'étanchéité des raccords cannelés droits et coudés	4
8	Écrous de serrage des raccords	4
9	Raccord coudé D38	2
10	Collier de serrage 40-60	2
11	Raccord droit D32/38	2
12	Tuyaux d'interconnexion	1
13	Tamis de drainage	1

Article	Dénomination	Quantité
14	Conduit d'aspiration	1
15	Filtre d'aspiration	1
16	Fond du filtre d'aspiration	1
17	Corps	1
18	Trémie	1
19	Base avec pompe	1
20	Pré-filtre	1
21	Tuyau de piscine – 3 parties	2
22	Collier de serrage 25-40	4
23	Set de vidange	1
24	Joint d'étanchéité plat du pré-filtre	1
25	Bande de téflon	1
26	Grille de protection contre l'intrusion de corps étrangers	1

## Liste des composants – AZURO 4m<sup>3</sup>/h

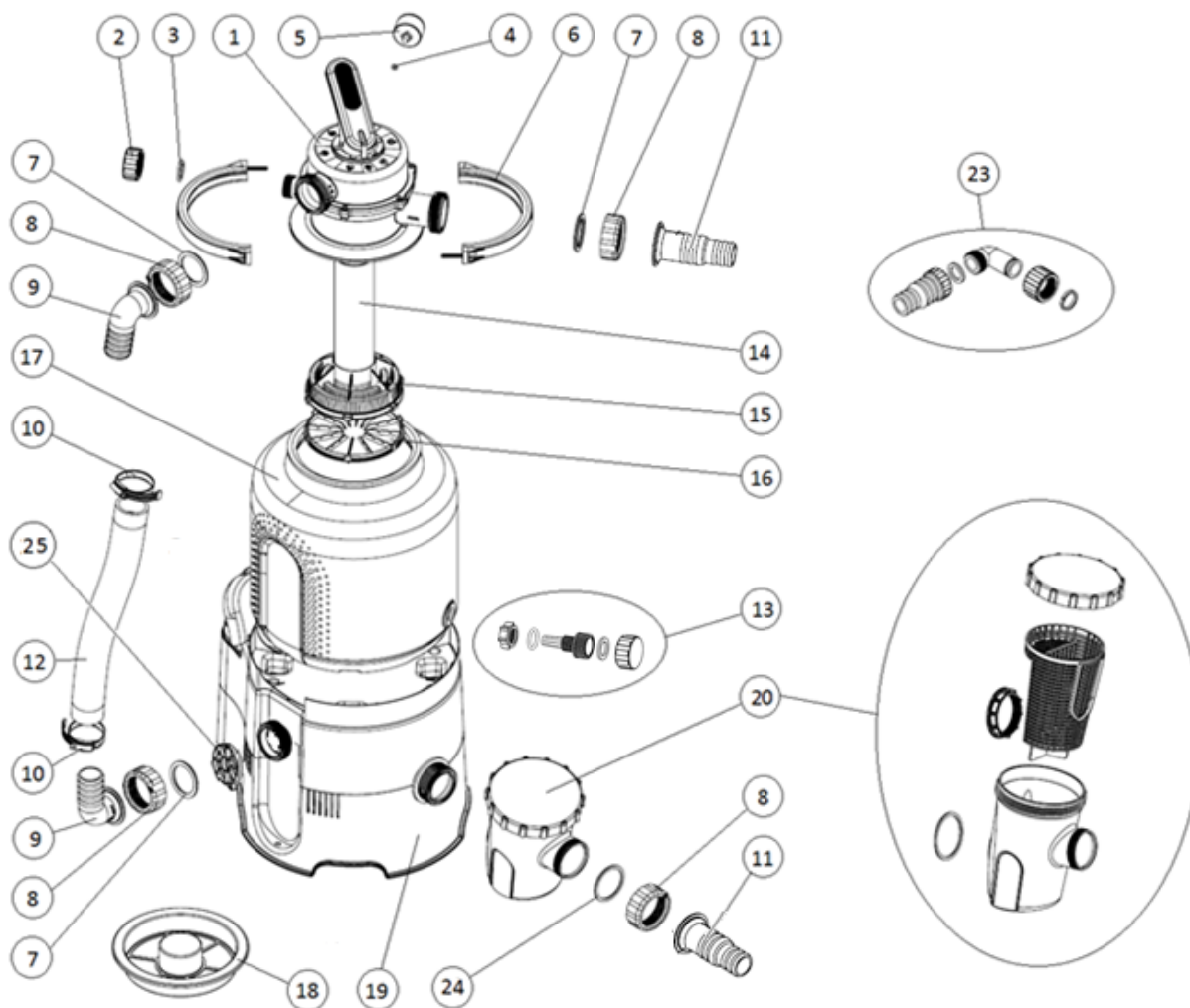
## Liste des composants – AZURO 4m<sup>3</sup>/h + Minuteur



Article	Dénomination	Quantité
1	Vanne multivoies	1
2	Bouchon	1
3	Joint d'étanchéité plat	1
4	Joint d'étanchéité plat du manomètre	1
5	Manomètre	1
6	Demi collier avec matériel d'assemblage	2
7	Joints d'étanchéité des raccords cannelés droits et coudés	4
8	Écrous de serrage des raccords	4
9	Raccord coudé D38	2
10	Collier de serrage 40-60	2
11	Raccord droit D32/38	2
12	Tuyaux d'interconnexion	1
13	Visserie de drainage	1

Article	Dénomination	Quantité
14	Conduit d'aspiration	1
15	Filtre d'aspiration	1
16	Fond du filtre d'aspiration	1
17	Corps	1
18	Trémie	1
19	Base avec pompe	1
20	Pré-filtre	1
21	Tuyau de piscine – 3 parties	2
22	Collier de serrage 25-40	4
23	Set de vidange	1
24	Joint d'étanchéité plat du pré-filtre	1
25	Bande de téflon	1
26	Grille de protection contre l'intrusion de corps étrangers	1

## Liste des composants – AZURO 6m<sup>3</sup>/h + Minuteur



Article	Dénomination	Quantité	Article	Dénomination	Quantité
1	Vanne multivoies	1	14	Conduit d'aspiration	1
2	Bouchon	1	15	Filtre d'aspiration	1
3	Joint d'étanchéité plat	1	16	Fond du filtre d'aspiration	1
4	Joint d'étanchéité plat du manomètre	1	17	Corps	1
5	Manomètre	1	18	Trémie	1
6	Demi collier avec matériel d'assemblage	2	19	Base avec pompe	1
7	Joints d'étanchéité des raccords	3	20	Pré-filtre	1
8	Écrous de serrage des raccords	4	21	Tuyau de piscine – 3 parties	2
9	Raccord coudé D38	2	22	Bande de téflon	1
10	Collier de serrage 30-45	6	23	Set de vidange	1
11	Raccord droit D32/38	2	24	Joint d'étanchéité plat du pré-filtre	1
12	Tuyau d'interconnexion	1	25	Grille de protection contre l'intrusion de corps étrangers	1
13	Visserie de drainage	1			

## Objet

La présente unité de filtrage est conçue pour la filtration saisonnière de l'eau des piscines hors sol. Elle n'est pas destinée aux piscines qui fonctionnent tout l'année. La pompe du filtre n'est pas auto-amorçante. L'unité doit donc être placée au-dessous du niveau de l'eau de la piscine avec une chute d'eau naturelle.

**AVERTISSEMENTS :** Les images du présent manuel n'ont qu'un caractère illustratif, elles peuvent donc différer du produit actuel. Nous nous réservons le droit de modifier partiellement ou entièrement le produit sans avertissement préalable.

### Conditions d'utilisation du filtre

- pH de l'eau : 6 à 8,5
- taux de chlore maximum : 10 mg/l
- salinité maximale : 0,5%

## Avant la mise en service

Déballer tous les composants de l'appareil avant leur assemblage et la mise en service de l'appareil.

Maintenez l'unité de filtration à une distance suffisante des objets environnants (pour assurer sa sécurité de fonctionnement).

L'unité de filtration doit être posée sur une plateforme (comme par ex. une dalle en béton). Cette plateforme doit être posée et nivelée avec un niveau à bulle. L'appareil ne doit pas être posé sur du gazon car cela pourrait entraîner sa surchauffe. Assurez-vous que l'appareil ne peut pas être inondé. Une telle inondation pourrait endommager l'appareil ou exposer les personnes présentes à un risque d'électrocution.

Lorsque la piscine est partiellement ou complètement remplie d'eau, vous avez besoin de placer le filtre dans un puits qui doit être relié avec la piscine. Lorsque le filtre est placé dans le puits, assurez-vous que ce dernier ne peut pas être inondé. Pour éviter l'inondation, il est recommandé de mettre du gravier au fond (qui peut absorber une petite quantité d'eau) et de créer un orifice de drainage. Il est aussi important d'assurer une bonne ventilation du puits. Sinon l'appareil pourrait être endommagé par l'eau de condensation.

Les accessoires nécessaires comme par exemple des tuyaux supplémentaires, des colliers de serrage ou le sable de filtration (non livré avec l'appareil) sont disponibles chez votre vendeur.



**L'appareil ne doit pas fonctionner à sec (sans eau) !!! Une utilisation sans eau entraîne la perte de la garantie.**

## Caractéristiques techniques

	AZURO 2m <sup>3</sup> /h	AZURO 4m <sup>3</sup> /h AZURO 4m <sup>3</sup> /h + Minuteur	AZURO 6m <sup>3</sup> /h + Minuteur
Tension	230 V / 50 Hz	230 V / 50 Hz	230 V / 50 Hz
Consommation électrique	85 W	190 W	250 W
Débit du système	2 m <sup>3</sup> /h	4 m <sup>3</sup> /h	5,5 m <sup>3</sup> /h
Classe de protection	IP X5	IP X5	IP X5
Refoulement	1,5 m	1,5 m	1,5 m
Diamètre du filtre	143 mm	143 mm	143 mm
Surface de filtration effective	0,036 m <sup>2</sup>	0,036 m <sup>2</sup>	0,036 m <sup>2</sup>
Pression de service	0,2 bar	0,3 bar	0,5 bar
Pression maximale d'utilisation	0,4 bar	0,6 bar	1,0 bar
Température maximale de l'eau	35 °C	35 °C	35 °C
Quantité de sable	10 kg	14 kg	18 kg
Granulométrie	0,6 à 1,2 mm	0,6 à 1,2 mm	0,6 à 1,2 mm



**Protégez l'environnement !** Ne jetez pas cet appareil avec les déchets ménagers. Cet appareil comprend des composants électriques/électroniques. Selon la directive européenne 2012/19/UE, les appareils électriques et électroniques ne doivent pas être éliminés avec les déchets ménagers – ils doivent être déposés dans des points de collecte dédiés pour une élimination respectueuse de l'environnement. Vous trouverez toutes les informations sur ces points de collecte auprès de votre mairie.

## Assemblage

**Nota :** Les écrous ne devraient pas être serrés très fort car toutes les connexions sont dotées de joints d'étanchéité. Un serrage trop fort pourrait endommager les parties en plastique.

**Nota :** L'assemblage nécessite un tournevis cruciforme.

### 1. Montage de la visserie de drainage sur le corps.

Insérez le composant fileté de drainage avec le joint torique dans l'orifice du corps (**FIG. 1.1**). Fixez le composant à l'intérieur du corps avec un écrou (**FIG. 1.2**). Serrez le raccord suffisamment pour assurer sa bonne étanchéité et pour éviter qu'il ne se desserre lorsque vous débranchez le raccord lors de l'utilisation du filtre. Montez le raccord avec le joint d'étanchéité sur le filetage extérieur (**FIG. 1.5**). Il suffit de le serrer à la main pour assurer son étanchéité. L'utilisation d'une pince pourrait endommager les composants.

**1.A** Mode à suivre pour le corps de 10L avec raccord de drainage :

Montez le raccord avec un joint d'étanchéité sur le raccord (**FIG. 1.5**). Il suffit de le serrer à la main pour assurer son étanchéité. L'utilisation d'une pince pourrait endommager les composants.

### 2. Assemblage du filtre d'aspiration

Insérez le tuyau d'aspiration sur le filtre d'aspiration (**FIG. 2.1**). Insérez l'ensemble dans le corps vide (**FIG. 2.2**) et bloquez sa position en positionnant la trémie (**FIG. 2.3**). Le filtre est maintenant prêt à être rempli de sable.

### 3. Remplissage avec du sable

Nous recommandons de poser le filtre sur la plateforme avant de commencer son remplissage. Le filtre rempli de sable est en effet difficile à manipuler. Les rainures latérales du filtre doivent concorder avec les rainures de la base ; le raccord de drainage doit se trouver sur le côté opposé de l'interrupteur (**FIG. 3.1**).

Lorsque la trémie est en place, remplissez le filtre avec la quantité correspondante de sable (**FIG. 3.2**). Le niveau du sable devrait atteindre l'extrémité supérieure des rainures latérales (**FIG. 3.3**). Une fois le remplissage fini, enlevez la trémie et retirez les grains de sable et autres impuretés du col du filtre.

### 4. Installation de la vanne multivoies

Placez un joint torique sur le côté inférieur de la vanne, puis positionnez la vanne sur le col du filtre. Tournez la vanne pour que son raccord PUMP/ČERP soit dirigé dans la même direction que la sortie de la pompe sur la base. Placez ensuite les deux moitiés du collier sur le col du filtre, assemblez-les avec des vis (**FIG. 4.3**) et serrez uniformément.

Placez un petit joint d'étanchéité en caoutchouc dans l'ouverture pour le manomètre, vissez-y le manomètre (**FIG. 4.1**) à la main et serrez légèrement.

**!!! Assurez-vous que le montage est bien réalisé parce que dans le cas contraire, vous pourriez endommager le filetage fin !!!** Montez le bouchon avec le joint d'étanchéité sur WASTE/ODPAD (**FIG. 4.2**).

### 5. Installation du tuyau de connexion

Enfilez les colliers de serrage sur le tuyau et insérez les raccords coudés avec écrous tournants aux deux extrémités du tuyau (**FIG. 5.1**).

Insérez la grille dans la sortie latérale de la pompe (**FIG. 5.2**), Utilisez ensuite les écrous tournants avec joint d'étanchéité pour connecter le tuyau sur cette sortie et sur le raccord PUMP/ČERP de la vanne (**FIG. 5.3**).

**!!! Les colliers de serrage ne doivent être serrés qu'après le serrage des écrous tournants !!!**

## 6. Assemblage du pré-filtre et du raccord

Montez le pré-filtre transparent sur l'orifice d'aspiration de la pompe, puis montez le raccord de connexion du tuyau sur le pré-filtre (FIG. 6.1).

**!!! Faites attention à la forme du joint d'étanchéité utilisé !!!**

### 6.A Mode à suivre pour Azuro 6m<sup>3</sup>/h + Minuterie avec grand pré-filtre :

Enfilez le corps du pré-filtre avec joint d'étanchéité sur le raccord fileté de la pompe, puis fixez-le avec l'écrou tournant depuis l'intérieur du pré-filtre. Insérez le panier de filtration dans le pré-filtre et fermez avec le couvercle équipé d'un joint torique. Utilisez l'écrou tournant pour fixer le raccord coudé avec joint d'étanchéité sur le pré-filtre (FIG. 6.2).

**!!! Faites attention à la forme du joint d'étanchéité utilisé !!!**

Vissez le deuxième raccord de tuyau sur la sortie POOL/BAZÉN de la vanne (FIG. 6.3) / coude (FIG. 6.4).

## 7. Connexion de l'appareil à la piscine – voir FIG. 7.1. et 7.2.

Utilisez des tuyaux et des colliers de serrage appropriés pour connecter l'appareil à la piscine.

## Utilisation du produit

### 1. Purgeage de la pompe

Retirez le bouchon de la sortie « ODPAD/WASTE » (FIG. 8.1), tournez le levier de la vanne en position VENTING et attendez que l'eau commence à s'écouler de la sortie (FIG. 8.2). Tournez ensuite le levier de la vanne en position CLOSED et revissez le bouchon sur la sortie. Une fois la sortie fermée, tournez le levier en position FILTERING. Vous pouvez maintenant filtrer l'eau.

Il est nécessaire de rincer le sable avant la première utilisation de l'appareil ou après chaque changement du sable.

### 2. Mise en service

Allumez l'appareil avec l'interrupteur sur le côté arrière de l'équipement.

ON – FIG. 9.1

OFF – FIG. 9.2



**Vérifiez la position de la vanne avant de brancher l'appareil au secteur !**

**N'allumez jamais l'appareil si la vanne à six voies se trouve en position CLOSED ou si le tube de circulation est obturé.**

### 2.A Appareil Azuro avec « T » qui signifie équipement avec minuterie réglable (FIG. 9.3):

Utilisez le commutateur pour sélectionner le mode de fonctionnement requis. La minuterie peut être réglée par pas de 20 minutes sur un cycle de 24 heures. Un pas correspond à 20 minutes, c'est-à-dire que 3 pas égalent à 1 heure. Le voyant LED indique que l'équipement fonctionne.

### 3. Exploitation

Mettez la vanne en position FILTERING et allumez l'appareil. Vérifiez régulièrement la circulation d'eau (pression sur le manomètre) et rincez le sable en fonction des valeurs indiquées.

Il est conseillé de configurer le plan de filtration en fonction de la dimension et de l'utilisation de la piscine. La filtration n'est adéquate que si l'eau est filtrée au moins une fois par jour. Pour ces raisons, le temps minimum de fonctionnement de l'unité de filtration est le volume de la piscine divisé par le débit de l'unité de filtration.

*Exemple : Si vous utilisez AZURO 2m<sup>3</sup>/h pour filtrer une piscine de 10 m<sup>3</sup>, le temps minimum de fonctionnement est de 5 heures.*

### 4. Nettoyage du pré-filtre

Si le pré-filtre est visiblement colmaté ou si le fonctionnement de l'appareil est diminué, nettoyez alors le pré-filtre avec un jet d'eau (FIG. 10.1). AZURO 6m<sup>3</sup>/h + Minuteur (FIG. 10.2).


### 5. Contre-lavage du sable

La nécessité de rinçage du sable se définit selon la pression dans le filtre. Notez la valeur de pression après le premier fonctionnement de l'appareil avec du sable propre. Si la pression monte ultérieurement de plus d'une unité d'échelle, il est nécessaire d'effectuer un contre-lavage (BACKWASH) (2 à 3 minutes) + un rinçage (RINCE) (environ 30 seconds) – voir « **Positions de la vanne** ». Si le filtrage fonctionne chaque jour, il est alors recommandé de rincer le sable au moins une fois par semaine.

Lors des fonctions de contre-lavage, rinçage et vidange, vous pouvez utiliser le set de vidange – vissez le raccord droit (ou le coude avec le raccord droit de tuyau) directement sur la sortie « ODPAD/WASTE » à la place du bouchon.

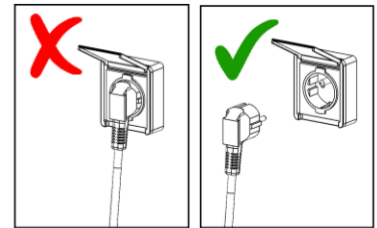
**LORSQUE VOUS VIDANGEZ L'EAU PAR LA SORTIE « ODPAD/WASTE », ASSUREZ-VOUS QUE VOUS ÊTES EN CONFORMITÉ AVEC TOUTES LES DISPOSITIONS LÉGALES CONCERNANT LA MANIPULATION DE L'EAU USÉE; NE LAISSEZ PAS L'EAU SUR PLACE S'IL EXISTE UN RISQUE D'ENDOMMAGEMENT PAR INONDATION. LA SORTIE « ODPAD/WASTE » PEUT ÊTRE DOTÉE D'UN FILETAGE POUR LA CONNEXION D'UN TUYAU DE VIDANGE. PENDANT LA FILTRATION, LA SORTIE « ODPAD/WASTE » DEVRAIT ÊTRE FERMÉE PAR UN BOUCHON.**

## Utilisation de la vanne multivoies



**Déconnectez toujours l'appareil de l'alimentation électrique avant chaque changement de la position de la vanne.**

Avant chaque manipulation, attendez environ 30 secondes après l'arrêt de la pompe pour que les impuretés et le sable se déposent au fond.



Appuyez le levier vers le bas (**FIG. 12.1**), puis tournez-le dans la position voulue (**FIG. 12.2**).

## Entretien

Le système de filtration enlève les impuretés visibles. Mais cela n'est pas le cas pour les algues, bactéries et microorganismes qui sont toujours un obstacle lors de la lutte pour une eau propre et hygiénique dans votre piscine. Il existe de nombreux produits de prévention qui, dans une concentration correcte, agissent contre tous les organismes ci-dessus mentionnés et maintiennent l'eau de votre piscine propre et hygiénique.

## Maintenance

Vérifiez régulièrement le fonctionnement de l'appareil pendant la saison des baignades. Cela est important pour l'identification et la correction des éventuelles pannes. Le fournisseur ne peut pas être tenu responsable des dommages causés par une panne de l'unité de filtration ou par l'équipement électrique.

Rincez le sable régulièrement. Si la perméabilité du sable ne s'améliore pas après le rinçage (la valeur sur le manomètre reste haute), changez alors le sable.

N'utilisez pas de solvants pour nettoyer le panier du filtre ou le corps du filtre car cela pourrait endommager leur surface (ils pourraient perdre leur brillance, transparence etc.).

## Hivernage

À la fin de la saison, il est nécessaire de nettoyer, vidanger, déconnecter et stocker l'équipement de filtration. Déconnectez l'équipement de filtration de votre piscine et utilisez la vanne de drainage au fond du compartiment de filtrage pour évacuer l'eau de l'appareil.

Ouvrez le filtre et videz-en le sable. Nettoyez le sable et retirez-en tous les morceaux et grumeaux. Changez régulièrement le sable dans le filtre.

Pour l'hivernage, rassemblez l'équipement de filtration et stockez-le dans un endroit sec, protégé du gel.

Tournez la vanne en position VENTING/WINTERIZING qui est utilisée pour l'hivernage de l'équipement.

## Garantie et Réparations

Les conditions de garantie sont indiquées dans le certificat de garantie du vendeur.

Contactez votre vendeur si vous avez besoin de renseignement, de support technique ou de pièce de rechange. N'utilisez que des pièces de rechange d'origine.

## Tests du produit

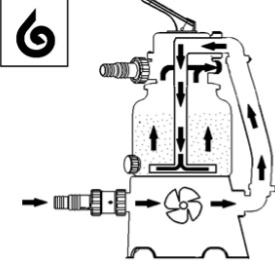
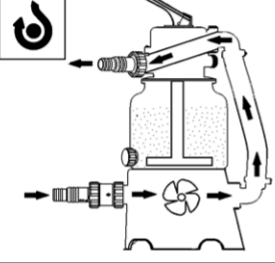
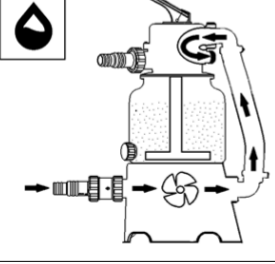
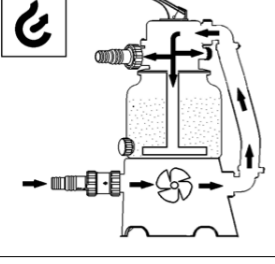
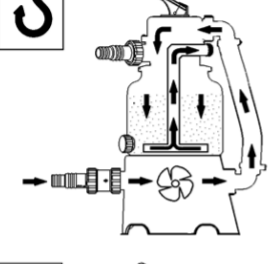
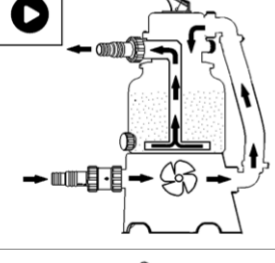
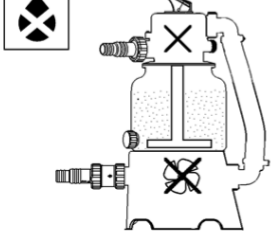
Le produit est concerné par la norme EN 60335-2-41 et en conformité avec les directives 2006/42/CE (machines), 2014/30/UE (compatibilité électromagnétique), 2014/35/UE (matériel électrique) et les exigences de la directive RoHS sur les substances dangereuses dans les équipements électriques. Le produit a été testé dans le Laboratoire national d'essais des machines.



## Solution des problèmes

Flux continu faible ou pas de flux continu	L'appareil de filtration n'a pas été purgé.	Purgez l'appareil de filtration.
	Levier de la vanne en position fermée (CLOSED)	Tournez le levier en position filtration (FILTERING).
	Le sable est trop sale.	Rincez ou changez le sable.
	Le pré-filtre est obturé.	Démontez et rincez le pré-filtre.
	Le skimmer est obturé.	Démontez et rincez le panier du skimmer.
	L'équipement de filtration est endommagé.	Veillez contacter votre centre d'entretien.
Le sable arrive dans la piscine.	Manipulation du levier de la vanne pendant le fonctionnement de la filtration.	Éteignez le filtrage avant de manipuler le levier.
	La granulométrie du sable est trop faible.	La granulométrie recommandée est de 0,6 à 1,2 mm.
	Le niveau de sable dans le filtre est trop haut.	Baissez le niveau de sable dans le filtre.
La pompe aspire de l'air (des bulles se forment dans le système)	Les connexions ne sont pas suffisamment serrées.	Serrez correctement tous les écrous.
	Fuites dans la connexion du pré-filtre.	Resserrez les connexions.
	Les joints sont endommagés.	Vérifiez l'étanchéité des connexions en amont de la pompe.
Fuites d'eau depuis l'appareil.	Les connexions ne sont pas étanches.	Serrez/étanchez les connexions.
	Les joints sont endommagés.	Vérifiez les joints.
L'eau dans la piscine ne peut pas être nettoyée.	Le traitement chimique de l'eau est insuffisant.	Vérifiez le pH et le taux de chlore dans l'eau.
	Le temps de filtration n'est pas suffisant.	Prolongez le temps de filtration.

## Positions de la vanne

	<p><b>BACKWASH</b> – l'eau traverse le sable dans le sens opposé, évacuant ainsi les impuretés ; au lieu de retourner dans la piscine, l'eau sort par la sortie « WASTE » – <b>retirez le bouchon !</b></p>
	<p><b>BYPASS</b> – l'eau traverse l'appareil sans passer par le filtre à sable.</p>
	<p><b>WASTE</b> – l'eau ne passe pas par le filtre à sable et sort par la sortie « WASTE » – <b>retirez le bouchon !</b> Cette position est utilisée pour baisser le niveau d'eau dans la piscine ou pour évacuer de grosses impuretés.</p>
	<p><b>VENTING/WINTERIZING</b> – dans cette position, la vanne est ouverte dans toutes les directions. L'évacuation de l'air permet de remplir la pompe avec de l'eau. Cette position est également utilisée lors de l'hivernage ou des périodes d'arrêt prolongé.</p>
	<p><b>RINSE</b> – cette position est utilisée lors de la première utilisation de nouveau sable ou après un contre-lavage. Le sable remué se dépose au fond et les impuretés restantes sont évacuées par la sortie « WASTE » – <b>retirez le bouchon !</b></p>
	<p><b>FILTERING</b> – position principale de la vanne. L'eau est filtrée par le sable et retourne dans la piscine.</p>
	<p><b>CLOSED</b> – ne mettez pas l'appareil en marche !</p>

# POOL LADDERS

## SLIM AND STANDARD



**EN**  
INSTRUCTION  
FOR ASSEMBLY AND OPERATION

**NL**  
MONTAGE-EN  
GEBRUIKSHANDLEIDING

**IT**  
ISTRUZIONI  
D'USO E DI MONTAGGIO

**DA**  
INSTALLATIONS-  
OG BETJENINGSVEJLEDNING

**DE**  
MONTAGE-  
UND BETRIEBSANLEITUNG

**SL**  
NAVODILA ZA  
NAMESTITEV IN OBRATOVANJE

**HU**  
ÖSSZESZERELÉSI ÉS  
ÜZEMELTETÉSI ÚTMUTATÓ

**RO**  
MANUAL DE  
INSTALARE SI OPERARE

**FR**  
NOTICE DE  
MONTAGE ET D'UTILISATION

**PL**  
INSTRUKCJA  
MONTAŻU I EKSPLOATACJI

**HR**  
UPUTE  
ZA MONTAŽU I UPORABU

**TR**  
KURULUM, ÇALIŞTIRMA  
VE BAKIM KILAVUZU

**SV**  
BRUKSANVISNING  
FÖR INSTALLATION OCH DRIFT

**RU**  
ИНСТРУКЦИЯ ПО  
МОНТАЖУ И ЭКСПЛУАТАЦИИ

**BG**  
ИНСТРУКЦИЯ ЗА  
МОНТАЖ И ЕКСПЛОАТАЦИЯ

Pool ladders are designed for use in all types of in-ground swimming pools with a vertical wall in the place of their installation. The two-step pool ladder is designed for swimming pools with a vertical wall from about 90 cm of depth, three-step ladder to a depth from about 110 cm, and four-step ladder for a depth from about 130 cm (See the dimensional sketch of ladders below).

The pH value of pool water must be in the range between 7.0 and 7.4 and the concentration of free chlorine below 1 mg per litre. Due to the material used ladders are not intended for swimming pools where the pool water disinfection is carried out through salt electrolysis technology (salination).

**Important: For safe operation the ladder anchors must be adequately anchored in the concrete slab and the pool ladder firmly fixed in the anchors.**

## 2.0

## CONTENTS OF THE PACKAGE

The pool ladder package contains all the necessary parts for assembly. Contents of the package are shown in the attached table on the right. The contents vary according to the type of ladder and number of steps.

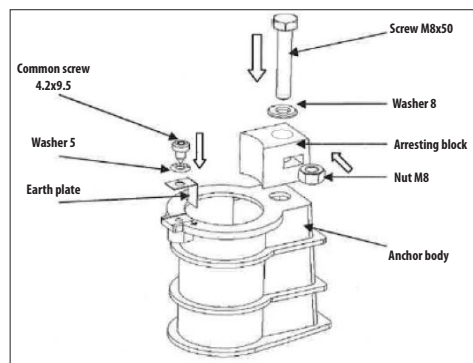
	2-step ladder	3-step ladder	4-step ladder
Stringer assembly (step + 2 side pieces)	2	3	4
Supporting joint assembly	2	2	2
Hand rail Slim or Standard	2	2	2
Stainless steel cap	2	2	2
Washer 8	6	8	10
Nut M8	6	8	10
Screw M8x70	4	6	8
Screw M8x50	2	2	2
Anchor body	2	2	2
Earth plate	2	2	2
Arresting block	2	2	2
Common screw 4.2 x 9.5	2	2	2
Washer 5	2	2	2

## 3.0

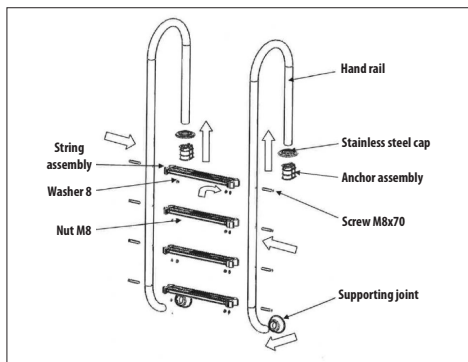
## ASSEMBLING THE LADDER

**Assembling the anchor:**

- Screw the earth plate to the anchor body with a common screw 4.2x9.5 and washer 5
- Insert nut M8 into the arresting block
- Insert arresting block with nut into the anchor body
- Screw the anchor body together with arresting block using screw M8x50 and washer 8

**Assembling the ladder body:**

- Screw the string assembly to the hand rail with screws M8x70 and washer 8; the second hand rail is screwed only after all steps are attached to the first hand rail.
- Fit the assembled supporting joints on the immersed section of the ladder.
- Put the stainless steel caps and anchor on the above-waterline section of the ladder. Fix the anchor by tightening the screws M8x50.
- Thus assembled ladder needs to be set in concrete into the pool sidewalk. Never set the ladder anchors in concrete separately, without the ladder. This prevents incorrect spacing of anchors after concreting.
- Before concreting it is necessary to check the closure of the bottom opening in the anchor's body by a flap.
- After concreting of anchors carry out grounding by electrical interconnection of metal parts of the pool and anchors of the ladder.



## 4.0

## INSTRUCTIONS FOR USE

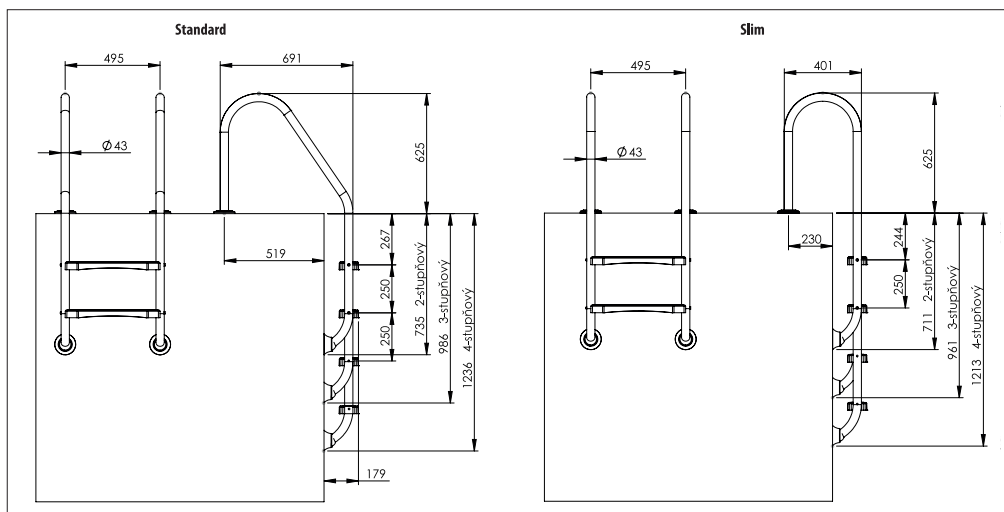
- Damaged or incomplete ladders may not be used. Doing so may damage the pool or endanger health and safety of the user.
- The manufacturer recommends cleaning the ladder with a stainless steel cleaner at least once every three months to remove organic and inorganic deposits. Subsequent polishing with a preservative is also important.
- At the end of the season we recommend the ladder to be removed from the pool, cleaned, preserved, and stored in a clean dry place.
- Removable parts should not be stored near chlorination equipment or in a warehouse where chlorine and other chemicals are stored.
- In case of manual addition or chemical shocks (superchlorination), the concentrated chemical must not get in touch with the stainless product. It is forbidden to tie the floating chlorine dispensers to the ladder or other stainless steel parts within the pool.
- Avoid contacts of pool ladder with other metals, particularly iron.
- Keeping the pool ladder clean extends its life.

Advise on maintaining stainless steel for aquatic applications

- Make an initial strict visual inspection to detect the possible appearance of oxidation by external chemical agents that have not initially been detected.
- Strict compliance with periodic cleaning of accessories, starting with a weekly clean, to fit the optimal time interval, always avoiding the formation of dry residue deposits (salts or other solids).
- For manual or shock dosages, do not do this near stainless steel parts, preventing splashing or concentrations.
- Avoid deposits of substances on metal parts, such as salts, dust, dirt, etc.
- Avoid contact with other metal parts or materials, especially iron, concrete adhesions, etc.
- Clean accessories with tap water, or if small rust stains or deposits are seen, clean with **non-abrasive metal cleaner**, or with diluted nitric acid at 10-15%; in both cases, rinse with fresh water and dry carefully with a cotton cloth.
- Pay special attention to interstitial areas, (e.g. step anchors), and the effects of the water flotation line on stainless steel accessories.
- If salts are added or an electrolysis system is used, maintain strict control of the quantity of dissolved salts in water and the stability of the equipment.
- Ensure control of PH, disinfectant and the correct use of bactericide.
- Carry out daily water recirculation to prevent the formation of deposits on submerged accessories.
- Ensure proper daily air recirculation by dehumidifying equipment to control the formation of condensation on the environment. In installations where there are podiums installed, special attention must be paid to cleaning the bottom of them, in order to prevent accumulated condensation.
- Make at least one annual stop for the preventive or corrective maintenance of accessories and the installation in general.
- **Remember that a fundamental premise of maintaining stainless steel is that the smoother and cleaner a surface area is, the more stable the rust resistance.**

## 6.0

## DIMENSIONAL SKETCH OF LADDERS



Die Poolleitern sind für den Einsatz in allen Arten von versenkten Schwimmbecken bestimmt, die über eine senkrechte Wand verfügen. An die senkrechte Wand werden die Leitern montiert. 2-Stufenleiter ist für ein Schwimmbad mit senkrechten Wänden von ca. 90 cm Tiefe, 3-Stufenleiter für die Tiefe von ca. 110 cm, 4-Stufenleiter für die Tiefe von ca. 130 cm ausgelegt (siehe die Maßskizze der Leiter unten). Das Beckenwasser muss der pH-Wert im Bereich von 7,0 bis 7,4 und eine Konzentration an freiem Chlor von weniger als 1 mg/l aufweisen. Unter Bezugnahme auf die verwendeten Materialien sind die Leiter nicht für den Einsatz in den Schwimmbädern bestimmt, in denen die Desinfektion vom Poolwasser durch Salzelektrolyse reguliert wird.

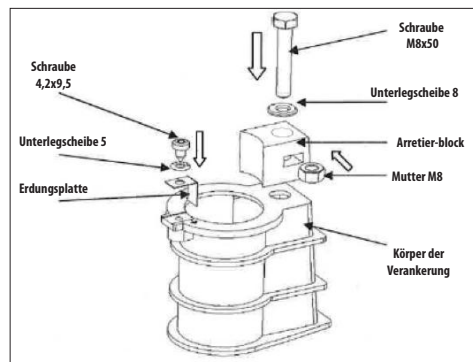
**Wichtig: Für die sichere Benutzung von Leitern müssen die Leiteranker ausreichend in einem Betonsokkel befestigt werden und der Poolleiter fest in den Leiterankern verankert werden.**

Die Packung Poolleiter enthält alle zur Montage notwendigen Teile. Der Packungsinhalt ist angegeben in der auf der rechten Seite beigefügten Tabelle. Der Inhalt unterscheidet sich nach dem Leitertyp und nach der Anzahl der Stufen.

	2-Stufenleiter	3-Stufenleiter	4-Stufenleiter
Stufensatz (Trittstufe + 2 Seitenwände)	2	3	4
Satz der Gelenkstütze	2	2	2
Holm (Slim oder Standard)	2	2	2
Edelstahlkappe	2	2	2
Unterlegscheibe 8	6	8	10
Mutter M8	6	8	10
Schraube M8x70	4	6	8
Schraube M8x50	2	2	2
Körper der Verankerung	2	2	2
Erdungsplatte	2	2	2
Arretier-block	2	2	2
Schraube St 4,2x9,5	2	2	2
Unterlegscheibe 5	2	2	2

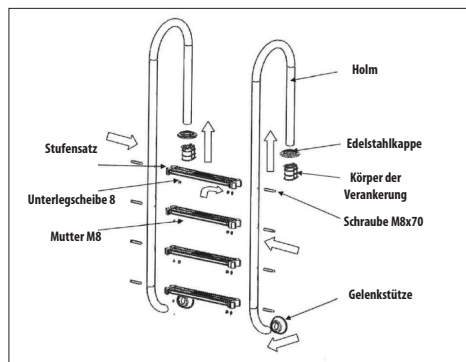
#### Montage von Leiterankern:

- die Erdungsplatte wird mit einer Schraube 4,2x9,5 und einer Unterlegscheibe 5 zum Körper der Verankerung verschraubt.
- in den Arretier-block wird eine Mutter M8 eingelegt.
- der Arretier-block mit der Mutter wird in den Körper der Verankerung eingelegt.
- mit einer Schraube M8x50 mit einer Unterlegscheibe 8 wird der Körper der Verankerung zum Arretier-block verschraubt.



#### Montage vom Körper der Verankerung:

- mit einer Schraube M8x70 und einer Unterlegscheibe 8 wird jeder Stufensatz an den Leiterholm verschraubt. Den zweiten Holm wird erst danach eingeschraubt, wenn alle Trittstufen an dem ersten Holm befestigt sind.
- zusammengestellte Gelenkstütze werden auf den Tauchteil der Leiter aufgesteckt.
- Edelstahlkappen und Anker werden auf den äußeren Teil der Leiter eingesetzt. Den Anker wird durch Nachziehen der Schraube M8x50 befestigt.
- die so zusammengesetzte Leiter muss in die Poolumrandung einbetoniert werden. Betonieren Sie nie die Leiteranker ohne die Leiter. Damit vermeiden Sie einen schlechten Ankerabstand nach dem Betonieren.
- vor dem Betonieren ist es notwendig, den Verschluss der unteren Bohrung in den Körper der Verankerung mit einer Klappe zu überprüfen.
- nach dem Einbetonieren von Anker führen Sie die Erdung mittels elektrische Verbindung der Metallteile des Pools und Leiteranker durch.



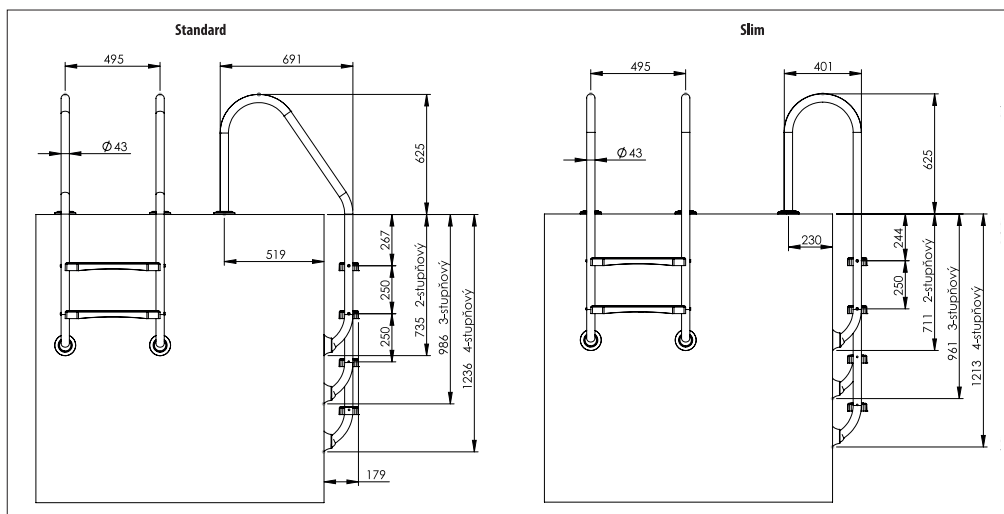
- beschädigte oder unvollständige Leiter dürfen nicht verwendet werden. Damit kann der Pool beschädigt werden oder die Gesundheit und die Sicherheit des Benutzers bedroht werden.
- mindestens einmal alle drei Monate ist es vom Hersteller empfohlen, die Leiter von organischen und anorganischen Ablagerungen mit einem Reinigungsmittel für Edelstahlmaterialien zu reinigen. Wichtig ist auch ein nachfolgendes Polieren mit einem Konservierungsmittel.
- Nach Beendigung der Badesaison, sollte die Stufenleiter vom Pool herausgenommen, gereinigt, konserviert und an einem sauberen und trockenen Ort aufbewahrt werden.
- abnehmbare Teile dürfen nicht in der Nähe von Chloranlagen oder im Lager, wo chlorhaltige oder andere Chemikalien gelagert sind, gespeichert werden.
- bei manueller Dosierung oder bei der Stoßchlorung (Superchloration) darf die dosierte konzentrierte Chemikalie an einem Edelstahlprodukt gelangen. Es ist verboten, Chlor-Dosierungsschwimmer an die Stufenleiter oder an andere Edelstahlteile des Pools zu binden.
- vermeiden Sie Kontakt der Poolleiter mit anderen Metallen, insbesondere mit Eisen.
- Aufrechterhaltung der Reinheit der Poolleiter verlängert ihre Lebensdauer.

Wartungshinweise für rostfreien Stahl – Wasseranwendungen.

- Führen Sie eine gründliche visuelle Erstinspektion durch, um dar mögliche Auftreten von Oxidierungsanzeichen durch äußere Einwirkungen zu erkennen, die ursprünglich nicht berücksichtigt wurden.
- Achten Sie auf die strikte Erfüllung der regelmäßigen manuellen Reinigung der Zubehörteile; beginnen Sie mit einer Reinigung wöchentlich und optimieren Sie die zeitlichen Intervalle, um stets die Bildung von Ablagerungen durch trockene Rückstände (Salze und andere Stoffe) zu vermeiden.
- Führen Sie manuelle Dosierungen oder Wasserschocks nicht in der Nähe der rostfreien Teile durch und vermeiden Sie Spritzer und Ansammlungen.
- Vermeiden Sie Ablagerungen von Substanzen wie Salze, Staub, Schmutz, etc. auf den Metallteilen.
- Vermeiden Sie den Kontakt mit anderen Metallteilen oder – Materialien, vor allem Eisen, das Anhaften von Beton etc.
- Führen Sie die Reinigung der Zubehörteile mit Leitungswasser durch. Oder, falls Sie Ablagerungen oder Oxidationsflecken feststellen, reinigen Sie mit verdünnter 10-bis 15-prozentiger Nitrit Lösung oder mit nicht scheuerndem Metallreiniger. Spülen Sie mit Süßwasser ab und trocknen Sie vollständig mit einem Baumwolltuch nach.
- Achten Sie besonders auf die Zwischenbereiche und auf die Effekte der Flotationslinie der Zubehörteile.
- Falls Salze hinzugefügt werden oder ein Elektrolyse-System verwendet wird, achten Sie auf strikte Kontrolle der im Wasser aufgelösten Salze und der Stabilität der Anlage.
- Stellen Sie die Kontrolle des pH-Wertes, des Desinfektionsmittels und die ordnungsgemäße Verwendung von Bakterizid sicher.
- Führen Sie die Umwälzung des Wassers täglich durch, um die Bildung von Ablagerungen an den Unterwasser-Zubehörteilen zu vermeiden.
- Stellen Sie die ordnungsgemäße, tägliche Umwälzung mit Luft über Entfeuchter-Geräte sicher, um die Bildung von Kondensation im Umfeld zu kontrollieren. Bei Einrichtungen mit Sockeln oder Sprungbrettern muss besonders auf die Sauberkeit des unteren Teils dieser geachtet werden, um angesammelte Kondensation zu vermeiden.
- Planen Sie mindestens eine technische Wartungspause pro Jahr für die vorbeugende oder reparierende Wartung der Zubehörteile und der gesamten Anlage ein.
- **Merken Sie sich als Grundregel für die Erhaltung des rostfreien Stahls, dass die Widerstands-fähigkeit gegen Oxidation umso stärker ist, je glatter und sauberer seine Oberfläche ist.**

## 6.0

## MASSKIZZE DER LEITER



Les échelles pour les piscines sont conçues pour être utilisées dans tous les types de piscines enterrées avec une paroi verticale sur le site de leur installation. Échelle à deux marches est destinée à une piscine avec une paroi verticale d'environ 90 cm de la profondeur, l'échelle à trois marches est destinée pour une profondeur d'environ 110 cm, l'échelle à quatre marches est destinée pour une profondeur d'environ 130 cm. (Voir une esquisse dimensionnelle des échelles ci-dessous). L'eau de la piscine doit avoir un pH de 7,0 à 7,4 et la concentration de chlore libre doit être inférieure à 1 mg / litre. Par rapport aux matériaux utilisés elles ne sont pas destinées à être utilisées dans les piscines, dans lesquelles la désinfection de l'eau de la piscine est réalisée par une technologie de l'électrolyse de sel (salinisation).

**Important: Pour une utilisation sûre les ancres de l'échelle doivent être suffisamment ancrées dans une dalle de béton et l'échelle de la piscine doit être solidement fixée dans les ancres.**

## 2.0

## CONTENU DE L'EMBALLAGE

L'emballage de l'échelle de la piscine contient toutes les pièces nécessaires à son assemblage. Le contenu de l'emballage est cité dans le tableau à droite. Le contenu varie en fonction de type de l'échelle et le nombre de marches.

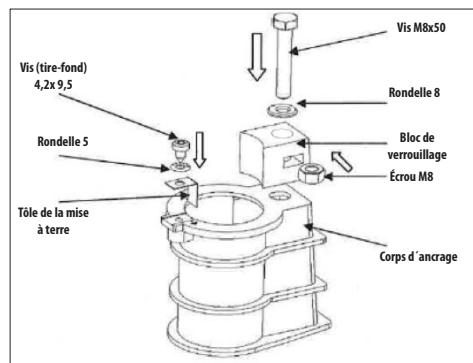
	Échelle à deux marches	Échelle à 3 marches	Échelle à 4 marches
Le kit contient (une marche et 2 parois latérales)	2	3	4
Kit de joint d'appui	2	2	2
Poignée (Slim ou Standard)	2	2	2
Couvercle en acier inoxydable	2	2	2
Rondelle 8	6	8	10
Écrou M8	6	8	10
Vis M8x70	4	6	8
Vis M8x50	2	2	2
Corps d'ancrage	2	2	2
Tôle de la mise à terre	2	2	2
Bloc de verrouillage	2	2	2
Vis (tire-fond) 4,2x9,5	2	2	2
Rondelle 5	2	2	2

## 3.0

## MONTAGE DES ÉCHELLES

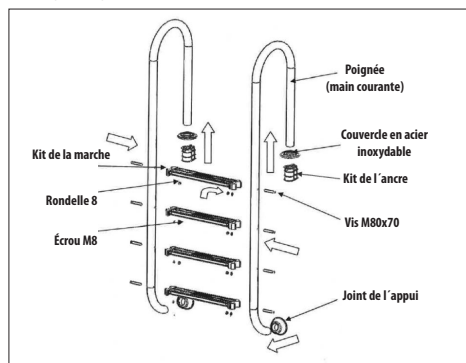
## Installation de l'ancre:

- La tôle de la mise à terre est vissée avec la vis de 4,2x9,5 et une rondelle de 5 sur le corps d'ancrage
- dans le bloc de verrouillage est inséré un écrou M8
- le bloc de verrouillage avec l'écrou est inséré dans le corps d'ancrage
- par la vis M8x50 vis avec une rondelle 8 est vissé le corps de l'ancre avec un bloc de verrouillage



## Montage du corps de l'échelle:

- à l'aide de vis M8 x 70 et d'une rondelle 8 les groupes de l'échelle sont vissés à la barre (main courante) de l'échelle, la deuxième barre sera vissée jusqu'à ce que toutes les marches sont attachés à la première marche.
- Installer sur la partie plongée de l'échelle les joints des appuis
- Sur la partie extérieure de l'échelle nous installons les couvercles en acier inoxydable et l'ancre. L'ancre sera fixée par le serrage des vis M8x50.
- L'échelle installée de cette façon doit être bétonnée (scellée) dans la margelle de la piscine. Ne jamais bétonner les ancres de l'échelle séparément sans l'échelle. Vous évitez de cette façon un mauvais écartement des ancres après le bétonnage.
- avant le bétonnage il est nécessaire de vérifier la fermeture de l'orifice inférieur dans le corps de l'ancre avec un clapet
- après le bétonnage des ancres, réalisez la mise à la terre par le raccordement électrique des parties métalliques de la piscine et des ancres de l'échelle.



## 4.0

## MODE D'EMPLOI

- L'échelle endommagée ou incomplète ne peut pas être utilisée. Cela pourrait endommager la piscine ou menacer la santé et la sécurité de l'utilisateur
- Le fabricant recommande de nettoyer au minimum une fois tous les trois mois l'échelle de dépôts organiques et inorganiques avec un produit qui sert au nettoyage des matériaux en acier inoxydable. Il est également important le polissage suivant avec un produit de conservation.
- Après la fin de la saison, nous recommandons d'enlever l'échelle de la piscine, la nettoyer, conserver et stocker dans un endroit propre et sec.
- Les pièces amovibles ne peuvent pas être stockées à proximité de l'équipement à chlorer ou dans un magasin où ils sont stockés des produits de chlore et des autres produits chimiques.
- Au cours de dosage manuel ou chocs chimiques (superchloration) le produit chimique concentré dosé ne peut pas pénétrer chez le produit en acier inoxydable. Il est interdit d'attacher les distributeurs flottants de chlore à l'échelle ou aux autres pièces en acier inoxydable dans la piscine.
- Éviter tout contact de l'échelle de piscine avec les autres métaux, en particulier avec le fer
- En maintenant l'échelle de piscine propre vous prolongez sa durée de vie

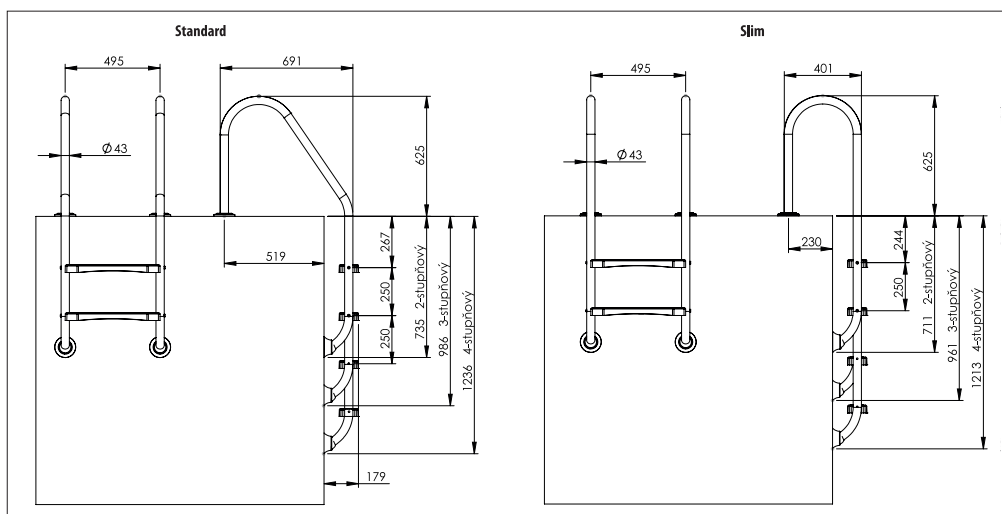


Conseils d'entretien de l'acier inoxydable pour applications aquatiques

- Il est nécessaire de réaliser une inspection visuelle initiale minutieuse, afin de détecter l'apparition éventuelle d'indices d'oxydation par des agents externes qui n'auraient pas été décelés initialement.
- Respect strict du nettoyage manuel régulier des accessoires. Commencer par ce faire par une fréquence hebdomadaire, puis adopter l'intervalle temporel optimum, en évitant toujours la formation de dépôts de résidus secs (sels ou autres types de solides).
- Les dosages manuels ou traitements de choc ne doivent en aucun cas être réalisés à proximité des pièces en acier inoxydable. Éviter les écaboussures ou concentrations.
- Éviter les dépôts de substances comme des sels, poussières ou saletés, sur les parties métalliques.
- Éviter le contact avec d'autres pièces métalliques ou matériaux, en particulier le fer, les adhérences de béton, etc.
- Nettoyer les accessoires à l'eau du robinet ou, en cas d'apparition de dépôts ou taches de rouille, à l'aide d'une solution nitrique diluée à 10-15% ou d'un nettoyeur pour métaux **non abrasif**. Dans les deux cas, rincer à l'eau douce et sécher complètement avec un chiffon en coton.
- Une attention toute particulière doit être portée aux zones interstitielles et aux effets de la ligne de flottaison des accessoires.
- Si des sels sont ajoutés ou qu'un système d'électrolyse est employé, contrôler strictement la quantité de sels dissous dans l'eau et la stabilité de l'équipement.
- Assurer le contrôle du pH, du désinfectant et l'utilisation correcte du bactéricide.
- Brasser l'eau quotidiennement, afin d'empêcher la formation de dépôts sur les accessoires immergés.
- Garantir un brassage quotidien correct de l'air, au moyen d'équipements deshumidificateurs pour contrôler la formation de condensation ambiante. Pour les installations comprenant des bornes ou des plongeurs, faire particulièrement attention au nettoyage de la partie inférieure de ces éléments, afin de prévenir la condensation accumulée.
- Prévoir au moins un arrêt technique par an, pour l'entretien préventif ou correctif des accessoires et de l'installation générale.
- **En tant que principe fondamental de conservation de l'acier inoxydable, il convient de se rappeler que plus la surface est maintenue lisse et propre, plus la résistance à l'oxydation sera stable.**

## 6.0

## ESQUISSE DIMENSIONNELLE DES ÉCHELLES



Poolstege är avsedd för alla typer av nerfällbara pooler med en lodrät vägg på plats där installation ska ske. Tvåstegs stege är avsedd för pool med en lodrät vägg från ungefär 90 cm djup, trestegs stege är avsedd för 110 cm djup, fyrstegs stege är avsedd för pool från 130 cm djup (se måttskiss för poolstege).

Först ska vattnets pH-värde ligga mellan 7.0-7.4 och klorhalt inte ska överstiga 1 mg per liter. Stegen är inte avsedd i poolen där vattenbehandlingen sker genom saltkloroly.

**Viktigt:** För säker användning måste vara konsoler helt förankrade i betongplattan och stege skall vara fastmonterad i konsolen.

## 2.0

## LEVERANSOMFÅNG

Förpackningen innehåller samtliga delar som krävs för monteringen. Förpackningsinnehåll anges i tabellen som finns till höger. Innehållet varierar beroende på typ av stege och antal fotsteg.

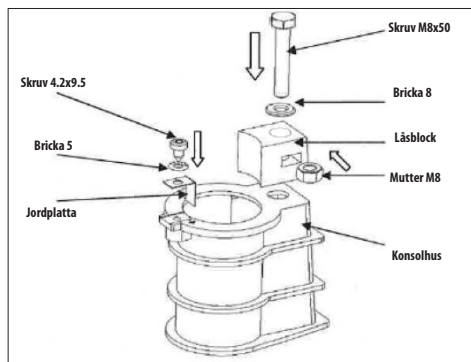
	2-stegs stege	3-stegs stege	4-stegs stege
Stege (stegen + 2xlejdare)	2	3	4
Stegens ändskydd	2	2	2
Handtag Slim eller Standard	2	2	2
Rostfritt lock	2	2	2
Bricka 8	6	8	10
Mutter M8	6	8	10
Skruv M8x70	4	6	8
Skruv M8x50	2	2	2
Konsolhus	2	2	2
Jordplatta	2	2	2
Läsblock	2	2	2
Skruv 4.2 x 9.5	2	2	2
Bricka 5	2	2	2

## 3.0

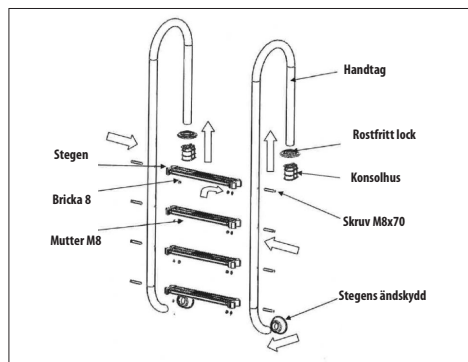
## MONTERING AV STEGE

**Montering av konsol:**

- montera jordplattan på konsolhuset med skruv 4,2x9,5 och 5 brickor.
- sätt muttern M8 i läsblocket
- sätt på läsblocket mot konsolhuset
- skruva ihop huset och läsblocket med skruv M8x50 och bricka 8

**Montering av stege:**

- skruv ihop fotstegen och stegens handtag med hjälp av skruv M8x70 och brickor 8
- skruv andra sida av handtaget tills samtliga fotstegen är fastskruvade på den första sida av handtaget
- montera ändskydd på fotstegens bottenläng
- montera rostfritt lock och konsol på fotstegens ytterdel. Dra åt skruvarna M8x50 på konsolen.
- gjut monterad poolstege i betong. Gjut aldrig poolstegens konsoler utan själva stegen så du kan undvika felaktigt avstånd mellan konsoler efter betonggjutningen.
- se till att bottenöppningen på konsolhuset är stängd genom ventilen innan betonggjutningen
- utför elektrisk jordanslutningen av poolens metalldelar och stegens konsolhus efter betonggjutningen.



## 4.0

## BRUKSANVISNING

- skadad eller icke färdigmonterad stege får inte användas. Det kan leda till skada på poolen eller kan äventyra användarens hälsa och säkerhet.
- tillverkare rekommenderar att rengöra stege från organiska och oorganiska föreningar var tredje månaden genom rengöringsmedel som är avsett för rengöring av rostfria material. Efterföljande polering med konserveringsmedel är också av stor vikt.
- det rekommenderas att ta ut stege efter badsäsong, rengör, polera och förvara på en torr plats
- avtagbara delar får inte förvaras nära kloreringsutrustning eller på plats där finns andra kemikalier upplagda
- vid manuell dosering eller chockklorering får inte använd kemikalien komma i kontakt med rostfria material. Flytande kloroserare får inte bindas vid poolstegen eller andra rostfria delar på poolen.
- se till att poolstege kommer inte i kontakt med andra metaller, speciellt med stål
- att hålla poolstege ren kan förlänga dess livslängd.

## 5.0

## UNDERHÅLL AV ROSTFEITT STÅL

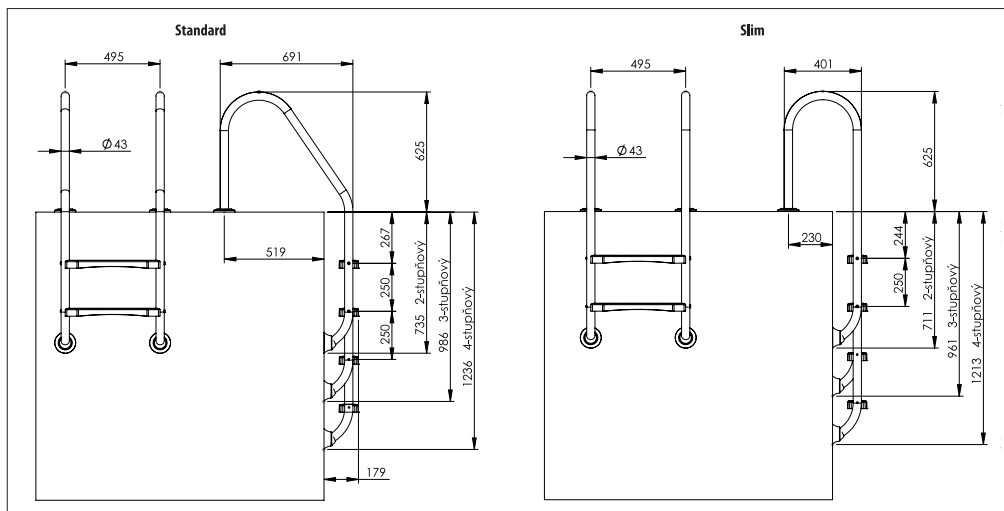
SV

### Rekommendation för underhåll av rostfritt stål som används i vattenmiljö

- Gör först en visuell tillsyn för att ta reda på eventuell oxidation av material orsakad av yttre påverka, dvs. kemiska medel som inte uppsprungligen upptäcktes.
- Följ noga föreskrivna rengöringsintervaller av tillbehör för att undvika bildande av torra avlagringar (salthaltiga och andra fasta ämnen).
- Utför aldrig manuell eller chockleverans/påfyllning av kemikalier i vattnet i närheten av delar (t.ex. stegar) i rostfritt stål för att undvika stänk (lokalt) eller utökning av koncentration runt dessa delar.
- Förhindra ansamling av fasta ämnen (salter, damm, förorening, etc.) på metalldelar.
- Undvik kontakt med andra metalldelar och material, speciellt när det gäller direkt kontakt med stål och betong.
- Rengör pooltillbehör med dricksvatten. När små fläckar eller rostavlagringar upptäcktes ta bort dessa med icke-slipande rengöringsmedel för rengöring av metaller ev. utspädd salpetersyra vid temperatur kring 10-15 °C. I båda fall är det av stor vikt att göra noggrann sköljning under rinnande vatten och torka av med bomullstyg.
- Ägna särskild uppmärksamhet åt luftspalter såsom stegens konsoler som förekommer på rostfria delar på vattennivåns linje.
- Om man tillsätter saltet i vattnet eller använder elektrolys då följ noga koncentration av upplösta salter och strikt iaktta stabilitet (parametrar) av den använda utrustningen.
- Se till att vattnet har ett reglerat pH-värde och korrekt användning av desinfektions- och bakteriedödande medel.
- Utför daglig vattencirkulation för att hindra bildande av avlagringar på det nedsänkta tillbehör i vattnet.
- Se till att vattnet har vardaglig luftcirkulation med avfuktningssystem för tillsyn över kondensbildning. För installation där finns bron eller sviktbräden bör man ägna sig särskild uppmärksamhet åt rengöring av dess undersidan för att hindra kondensbildningen.
- Stoppa driften minst en gång per år och utför noggrann underhåll av utrustningen och och installation som helhet.
- Kom ihåg att ju jämnare och renare yta blir, desto mer kan klara korrosion för förutsättningen för underhåll av rostfritt stål.**

## 6.0

## MÅTSKISS FÖR STEGE



De zwembadtrappen zijn bestemd voor gebruik bij alle typen ingezonken zwembaden, die op de plaats waar de trappen gemonteerd worden over een loodrechte wand beschikken. Twee treden tellende trappen zijn bestemd voor zwembaden met een loodrechte wand vanaf ongeveer 90 cm diepte, drie treden tellende trappen voor wanden vanaf ongeveer 110 cm en 4 treden tellende trappen voor wanden vanaf ongeveer 130 cm (zie hieronder de Tekening met de afmetingen van de trappen).

De pH-waarde van het zwembadwater dient tussen 7,0 en 7,4 te liggen en de concentratie van vrij chloor onder 1 mg/liter. Vanwege de gebruikte materialen zijn de trappen niet bestemd voor gebruik in zwembaden waar het desinfecteren van het zwembadwater wordt uitgevoerd m.b.v. zoutelectrolyse.

**Belangrijk:** Voor veilig gebruik dienen de verankeringselementen van de trap naar behoren verankerd te zijn in een betonnen plaat en moet de zwembadtrap stevig aan de verankerings-elementen bevestigd worden.

## 2.0

## INHOUD VAN DE VERPAKKING

De verpakking van zwembadtrappen bevat alle voor de montage benodigde onderdelen. De inhoud van de verpakking wordt opgesomd in de hieronder weergegeven tabel. De inhoud is afhankelijk van het type trap en het aantal treden.

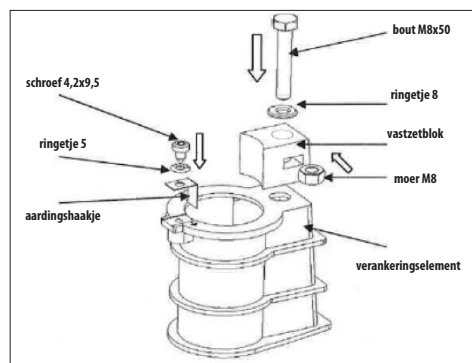
	Trap met 2 treden	Trap met 3 treden	Trap met 4 treden
Tredesysteem (trede + 2 x zijkant + 2 x bovenzijde trede)	2	3	4
Gewrichtsysteem van de leuning	2	2	2
Leuning (slim of standard)	2	2	2
RVS dekplaatje	2	2	2
Ringetje 8	6	8	10
Moer M8	6	8	10
Bout M8x70	4	6	8
Bout M8x50	2	2	2
Verankeringselement	2	2	2
Aardingshaakje	2	2	2
Vastzetblok	2	2	2
Schroef St 4,2x9,5	2	2	2
Ringetje 5	2	2	2

## 3.0

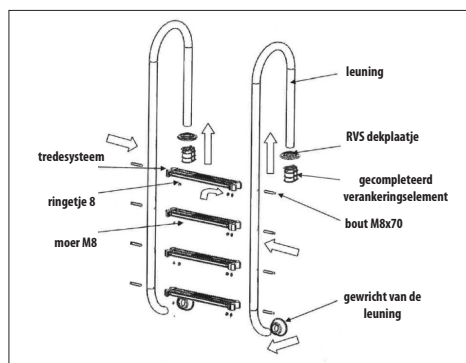
## MONTAGE VAN DE TRAPPEN

**Completag van de verankerings-elementen:**

- schroef het aardingshaakje m.b.v. de schroef 4,2x9,5 en het ringetje 5 vast aan het verankerings-element
- schuif moer M8 in het vastzetblok
- plaats het vastzetblok met de moer op het verankerings-element
- schroef het verankerings-element en het vastzetblok aan elkaar vast m.b.v. bout M8x50 en ringetje 8

**Montage van de trap:**

- bevestig de plastic antislip-delen en de zijkanten op de RVS treden
- schroef het aldus ontstane tredesysteem m.b.v. bouten M8x70 en ringetjes 8 vast aan een trapleuning, de tweede trapleuning wordt pas vastgeschroefd als alle tredesystemen aan de eerste leuning bevestigd zijn
- breng de gewrichten van de leuning aan op de uiteinden van de leuning, die zich onder water zullen bevinden
- breng de RVS dekplaatjes en de verankerings-elementen aan op de uiteinden van de leuning, die zich boven water zullen bevinden en zet de verankerings vast door de bouten M8x50 vast te draaien.
- de op deze manier gemonteerde trap moet in het beton van de stoep rond het zwembad gegoten worden. Giet de verankerings-elementen van de trap nooit afzonderlijk vast in het beton, d.w.z. zonder dat ze aan de trap bevestigd zijn. U voorkomt hierdoor dat ze op een verkeerde afstand van elkaar vastgegoten worden.
- voordat het beton gestort wordt, dient gecontroleerd te worden of de onderste opening in het verankerings-element met het deksetje is afgesloten
- na het vastgieten van de verankerings-elementen dient men de aardings-elementen van de metalen delen van het zwembad en de verankerings-elementen van de trap met elkaar verbonden te worden



## 4.0

## GEBRUIKSHANDLEIDING

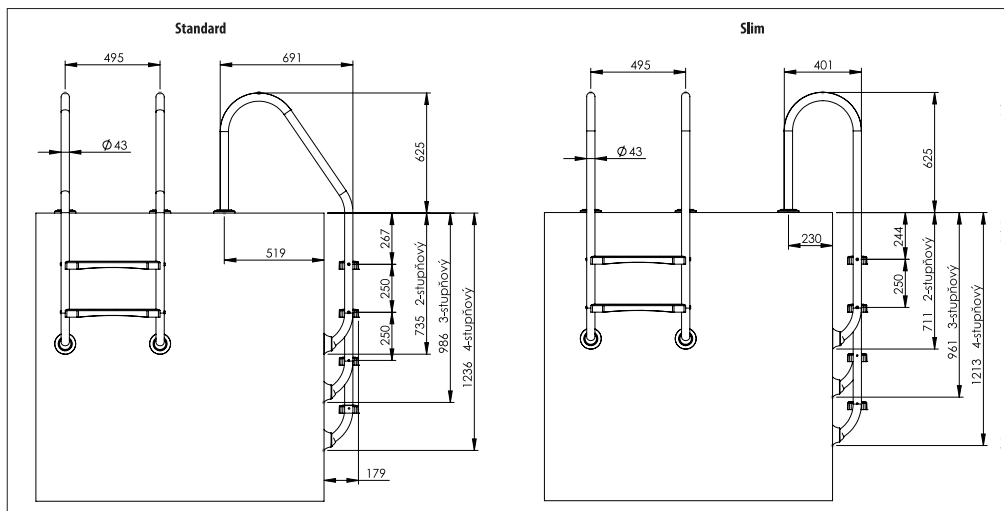
- Beschadigde of incomplete trappen mogen niet gebruikt worden. Gebruik zou kunnen leiden tot beschadiging van het zwembad of tot risico's voor de gezondheid en de veiligheid van gebruikers.
- De producent adviseert de trappen ten minste één keer per drie maanden met behulp van een reinigingsmiddel voor RVS te ontdoen van organische en anorganische aanslag. Hierbij is het tevens belangrijk het materiaal vervolgens te polijsten met een conserverend middel.
- We adviseren de trap na afloop van het seizoen uit het zwembad te nemen, schoon te maken, te conserveren en op een schone en droge plaats op te slaan.
- Aftneembare onderdelen mogen niet worden opgeslagen in de nabijheid van chlooreeninstallaties of in bergruimten waar chloor en andere chemicaliën zijn ondergebracht.
- Bij handmatige dosering of bij chemische schokbehandelingen (superchlorering) mogen de doses geconcentreerde chemicaliën niet bij de RVS producten terecht komen. Het is verboden drijvende chlooresystemen aan trappen of aan andere RVS onderdelen van het zwembad vast te binden.
- Voorkom contact tussen zwembadtrappen en andere metalen, met name ijzer.
- Het schoonhouden van zwembadtrappen verlengt hun levensduur.

**Aanwijzingen voor het juiste onderhoud van RVS bij gebruik in zwembaden**

- Voer eerst een nauwkeurige visuele controle uit op eventuele tekenen van roestvorming, die veroorzaakt kunnen zijn door chemische stoffen uit de omgeving en dus wellicht niet vóór de verkoop ontdekt konden worden.
- Maak de RVS toebehoren regelmatig, liefst één keer per week, schoon om het ontstaan van vaste aanslag (zout, stof, vuil en/of andere vaste stoffen) te voorkomen.
- Wanneer er tekenen van aanslag van vaste deeltjes of van roestvorming zijn, was de RVS toebehoren dan met lauw kraanwater en een niet abrasief, voor RVS bestemd reinigingsmiddel. Spoel ze vervolgens weer af met lauw water, maak ze droog en behandel ze eventueel met een conserverend en polijstend middel.
- Besteed extra aandacht aan de verankeringsplaatsen (bijv. de verankeringsplaatsen in de grond) en de invloed van de waterspiegel op de RVS toebehoren.
- Voorkom contact tussen de RVS toebehoren en andere metalen, met name ijzer.
- Zorg ervoor dat de pH-waarde van het zwembadwater altijd tussen 7,2 en 7,6 ligt.
- Zorg ervoor dat het zwembadwater altijd schoon is.
- Voer handmatige dosering van chemicaliën en/of schokbehandelingen voor het chloreren van het zwembadwater niet uit in de nabijheid van RVS toebehoren, dit om te voorkomen dat de RVS onderdelen worden bespat of blootgesteld aan hoge concentraties chemicaliën.
- Zorg ervoor dat het water in de omgeving van ondergedompelde RVS toebehoren dagelijks goed circuleert, dit om aanslag van vaste deeltjes te voorkomen.
- RVS toebehoren mogen niet worden gebruikt of opgeslagen in de nabijheid van chlooreerinstallaties of in berguimten waar chloor en andere chemische middelen zijn ondergebracht.
- Voer ten minste éénmaal per jaar een controle van alle geïnstalleerde RVS onderdelen uit en voer aan de hele installatie preventief onderhoud of herstellende maatregelen uit.
- Zorg bij binnenshuis geplaatste installaties (of bijv. bij buiten gerealiseerde installaties met een podium) voor de handhaving van de juiste vochtigheid, m.b.v. luchtontvochtigers, dit om te voorkomen dat het vocht op de externe en interne onderdelen van de RVS toebehoren condenseert.
- **Wees u bewust van het feit dat hoe beter u de oppervlakten van de RVS toebehoren schoonhoudt, hoe minder problemen met het eventuele optreden van roestvorming u hoeft op te lossen.**

## 6.0

## TEKENING MET DE AFMETINGEN VAN DE TRAPPEN



Bazenske lestve so namenjene za uporabo pri vseh tipih vgradnih bazenov z navpično steno na mestu montaže. 2 – lestev z dvema stopničkama je namenjena za bazene z navpično steno od ca. 90 cm globine, 3 – lestev s tremi stopničkami za globine od ca. 110 cm, 4 – lestev s štirimi stopničkami za globine od ca. 130 cm (glej skico lestve spodaj).

Bazenska voda mora imeti pH vrednost od 7,0 do 7,4 in koncentracijo prostega klora pod 1 mg/liter. Zaradi materiala, iz katerega so izdelane, niso primerne za uporabo v bazenih z razkuževanjem vode z elektrolizo soli (salinacijo).

**Pomembno: Zaradi varne uporabe morajo biti sidra lestve trdno zalita v betonsko ploščo, lestev pa trdno zasidrana v njih.**

## 2.0

## OBSEG DOBAVE

Škatla s stopničkami vsebuje vse dele, ki so potrebni za pravilno montažo. Vsebina paketa je opisana v priloženi tabeli. Vsebina se razlikuje glede na tip lestve in število stopničk.

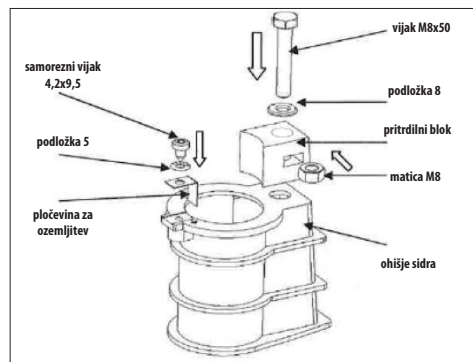
	Lestev ima dve stopnički	Lestev ima tri stopničke	Lestev ima tri stopničke
Set stopničk (stopnička + 2x stranica + 2x prvi stopnički)	2	3	4
Sestava zgloba naslona	2	2	2
Ročaj (slim ali standard)	2	2	2
Nerjaveči pokrovček	2	2	2
Podložka 8	6	8	10
Matica M8	6	8	10
Vijak M8x70	4	6	8
Vijak M8x50	2	2	2
Ohišje sidra	2	2	2
Pločevina za ozemljitev	2	2	2
Pritrdilni blok	2	2	2
Samorezni vijak St 4,2x9,5	2	2	2
Podložka 5	2	2	2

## 3.0

## MONTAŽA LESTVE

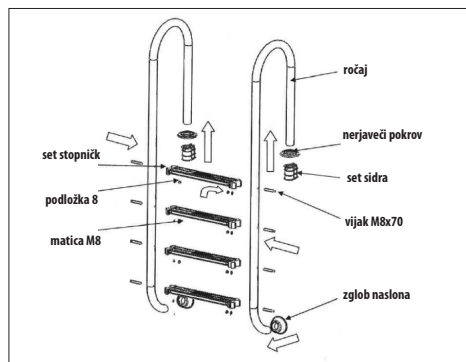
## Montaža sidra:

- pločevino z vijaki 4,2x9,5 in podložkami 5 privijte na ohišje sidrnih elementov.
- v pritrdilni blok vstavite matico M8
- pritrdilni blok z matico vložite v ohišje sidrnih elementov
- z vijakom M8x50 s podložko 8 privijte ohišje sidra s pritrdilnim blokom



## Montaža skeleta lestve:

- na nerjaveče prve stopničke namestite plastične protidrnsne trakove in stranice
- z vijaki M8x70 in podložki 8 privijte kompletne stopničk na ročaj lestve; drugi ročaj privijte šele, ko so vse stopničke privite na prvi.
- na potopni del stopničk namestite sestavljene zglobe naslonov.
- na zunanji del stopničk namestite nerjaveče pokrove in sidro. Sidro pritrdite z vijaki M8x50.
- na tak način zmontirano lestev zabetonirajte v podlago okoli bazena. Nikoli ne betonirajte sider lestve posebej, brez lestve. S tem onemogočite napačen razmik sider po betoniranju.
- pred betoniranjem preverite, ali je spodnja odprtina v ohišju sidra zaprta s pokrovom.
- po betoniranju sider ozemljite kovinske dele bazena in sider lestve (povežite jih z ozemljitvenim kablom)



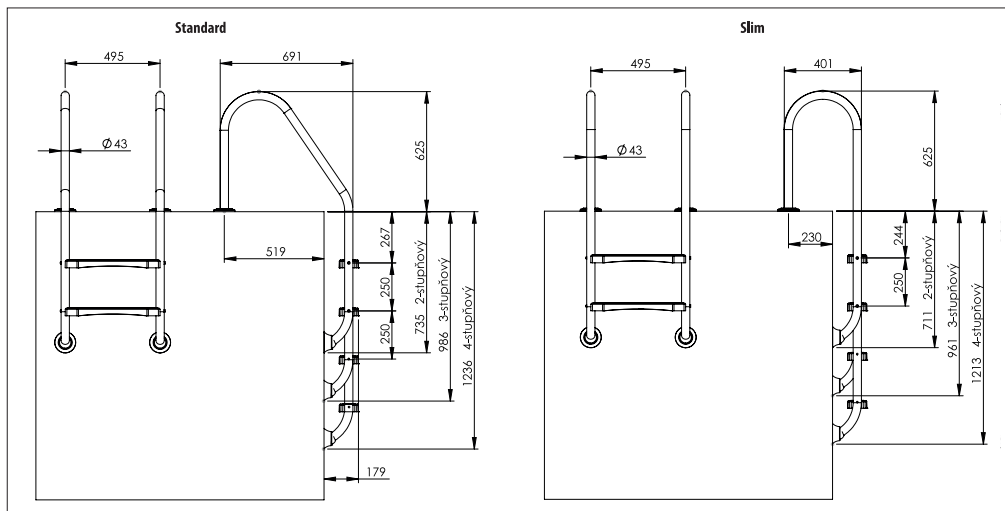
## 4.0

## NAVODILA ZA UPORABO

- ne uporabljajte poškodovanih ali nekompletnih stopničk. Lahko pride do poškodb bazena ali ogrožanja zdravja in varnosti uporabnikov.
- najmanj vsake tri mesece pripravočamo, da stopničke očistite od organskih in anorganskih usedlin s pripravkom za čiščenje nerjavečih materialov. Pomembno je, da jih nato polirate s sredstvom za konzerviranje
- po končani sezoni pripravočamo, da stopničke vzamete ven, jih očistite, konzervirate in shranite na čisto in suho mesto.
- ne shranjujte snemljivih delov bazena v bližini naprav za kloriranje ali v skladišču, kamor shranjujete klor oz. druge kemikalije.
- pri ročnem doziranju ali pri uporabi klorovega šoka ne sme koncentrirana kemikalija priti v stik z nerjavečim izdelkom. Prepovedano je vezati plavajoče dozatorje klora na stopničke ali na druge nerjaveče dele bazena.
- prepričite stik bazenskih stopničk z drugimi kovinami, predvsem pa z železom
- z rednim čiščenjem stopničk podaljšujete njihovo uporabnost in življenjsko dobo

**Napotki glede pravičnega vzdrževanja nerjavečega jekla pri uporabi bazena**

- Najprej natančno preglejte, če ni prišlo do pojava oksidacije, ki bi lahko povzročile kemične snovi iz okolice, ki jih pred prodajo niste mogli odkriti.
- Redno (enkrat tedensko), čistite nerjaveče dele bazena, da preprečite nastanek trdnih usedlin (soli, prahu, nečistoč ali drugih trdnih snovi)
- Če opazite sledove usedlin trdnih delcev ali rjavenje, operite nerjaveče dele z mlačno vodo in jih očistite z neabrazivnim sredstvom za čiščenje nerjavečega jekla. Ponovno operite z mlačno vodo, posušite in negujte s pripravkom za konzerviranje in poliranje kovine.
- Natančno preglejte še sidrna mesta (npr. v tla) in vplivu vodne gladine na opremo nerjavečega jekla.
- Preprečite stik nerjaveče opreme z drugimi kovinami, predvsem pa z železom
- Redno pregledujte, ali je pH vrednost vode v razponu od 7,2 - 7,6.
- Voda v bazenu mora biti vedno čista.
- Kemikalije, ki jih dozirate ročno ali klorov šok dodajate stran od nerjaveče opreme bazena, da visoke koncentracije le teh ne pridejo z opremo v stik.
- Poskrbite za vsakodnevno pravilno kroženje vode okoli potopljenih delov nerjaveče opreme, da preprečite usedanje trdnih delcev.
- Nerjaveča oprema se ne sme uporabljati ali shranjevati v bližini opreme za kloriranje ali na mestih, kjer se nahajajo klorovi ali drugi kemični pripravki.
- Vsaj enkrat letno natančno preglejte nerjavečo opremo in poskrbite za preventivno ali večkratno vzdrževanje cele opreme.
- V kolikor notranja instalacija (ali npr. zunanja instalacije s podestom) ugotovite pravilno vlažnost z napravo za razvlaževanje, da ne pride do kondenzacije vlage na zunanjih ali notranjih delih nerjaveče opreme.
- **Upoštevajte dejstvo, da čim boljše boste skrbeli za opremo in njeno čistočo, tem manj težav boste imeli s pojavom rje.**



Drabinki basenowe są przeznaczone do użytku we wszystkich typach basenów zagłębionych z pionową ścianą w miejscu montażu. 2-stopniowa drabinka jest przeznaczona do basenów z pionową ścianą od ok. 90 cm głębokości, 3-stopniowa – od ok. 110 cm, 4-stopniowa – od ok. 130 cm (zob. poniżej rysunek wymiarowy drabinek).

Woda basenowa musi mieć pH w zakresie od 7,0 do 7,4, a stężenie chloru musi wynosić maks. 1 mg/l. Z uwagi na zastosowane materiały drabinki nie są przeznaczone do zastosowania w basenach, w których przeprowadzana jest dezynfekcja wody basenowej z użyciem technologii elektrolizy soli.

**Ważne:** w celu bezpiecznego użytkowania kotwy drabinki muszą być odpowiednio zakotwiczone w płycie betonowej, a drabinka basenowa musi być solidnie zamocowana w kotwach.

## 2.0

## ZAWARTOŚĆ OPAKOWANIA

Opakowanie drabinki basenowej zawiera wszystkie elementy niezbędne do montażu. Zawartość opakowania znajduje się w załączonej tabeli. Zawartość różni się w zależności od typu drabinki i liczby stopni.

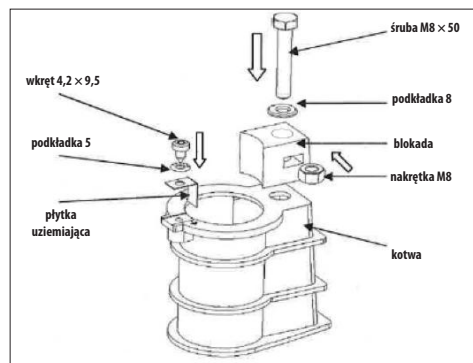
	Drabinka 2-stopniowa	Drabinka 3-stopniowa	Drabinka 4-stopniowa
Moduł stopnia (stopień + 2 × policzek + 2 × stopnica)	2	3	4
Moduł odbojnika poręczy	2	2	2
Poręcz (slim lub standard)	2	2	2
Zasłepka ze stali nierdzewnej	2	2	2
Podkładka 8	6	8	10
Nakrętka M8	6	8	10
Śruba M8 × 70	4	6	8
Śruba M8 × 50	2	2	2
Kotwa	2	2	2
Płytki uziemiająca	2	2	2
Blokada	2	2	2
Wkręt St 4,2 × 9,5	2	2	2
Podkładka 5	2	2	2

## 3.0

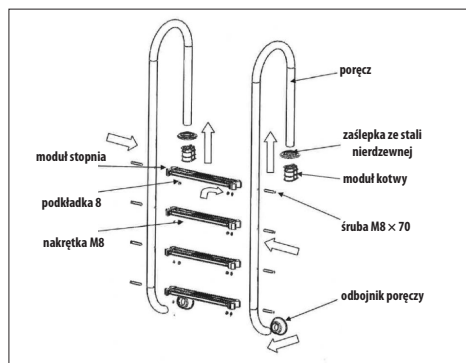
## MONTAŻ DRABINKI

**Montaż kotwy:**

- za pomocą wkrętu 4,2 × 9,5 oraz podkładki 5 przykręć płytkę uziemiającą do korpusu kotwy;
- włóż śrubę M8 do blokady;
- włóż blokadę ze śrubą do korpusu kotwy;
- za pomocą śruby M8 × 50 z podkładką 8 przykręć korpus kotwy z blokadą.

**Montaż korpusu drabinki:**

- na stopniach ze stali nierdzewnej przymocuj plastikowe antypoślizgowe stopnice oraz policzki;
- za pomocą śrub M8 × 70 oraz podkładek 8 przykręć moduły stopni do poręczy drabinki, przykręcaj drugą poręcz do momentu, aż wszystkie stopnie zostaną przymocowane do pierwszej;
- na zamkniętą część drabinki nałóż dołączone odbojniki;
- na zewnętrznej części drabinki nałóż nierdzewne zasłepki i kotwę. Kotwę przymocuj za pomocą śruby M8 × 50;
- zamontowaną w ten sposób drabinkę należy zabetonować w podłożu basenu. Nigdy nie betonuj kotew bez drabinki. Zapobiegnie to złemu rozstawieniu kotew po zabetonowaniu;
- przed betonowaniem sprawdź zamknięcie dolnego otworu w korpusie kotwy za pomocą kłapki;
- po zabetonowaniu kotew wykonaj uziemienie za pomocą połączenia elektrycznego metalowych części basenu i kotew drabinki.



## 4.0

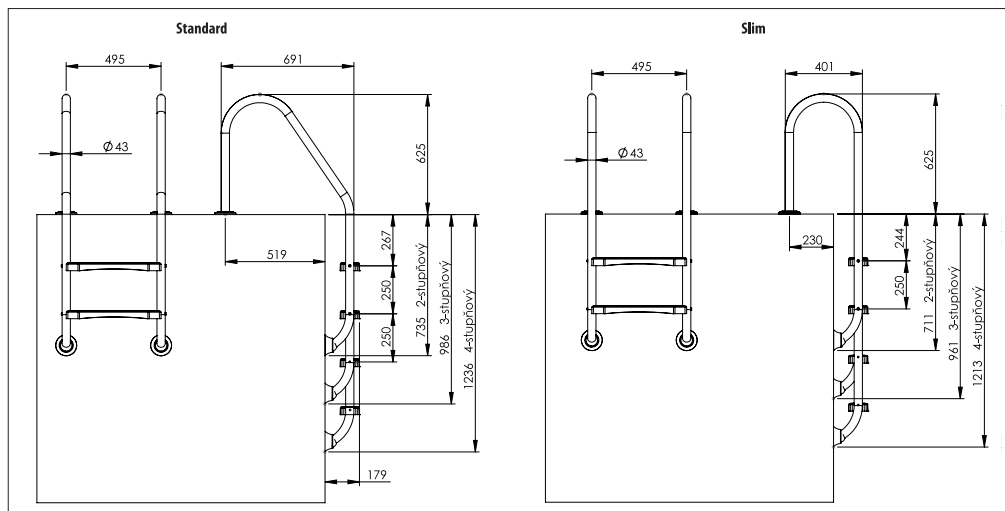
## INSTRUKCJA UŻYTKOWANIA

- nie używać uszkodzonych lub niekompletnych schodków. Może to spowodować uszkodzenie basenu lub stanowić zagrożenie dla zdrowia i bezpieczeństwa użytkownika;
- co najmniej raz na trzy miesiące producent zaleca czyszczenie schodków z osadów organicznych i nieorganicznych za pomocą środka do czyszczenia stali nierdzewnej. Istotne jest również późniejsze poleerowanie z użyciem preparatu konserwującego;
- po zakończeniu sezonu zaleca się wyjęcie drabinki z basenu, wyczyszczenie jej, zakonserwowanie i przechowywanie w czystym i suchym miejscu;
- nie należy przechowywać zdejmowanych elementów w pobliżu urządzeń chlorujących lub w pomieszczeniach, w których jest przechowywany chlor i inne środki chemiczne;
- w przypadku ręcznego dozowania lub dozowania szokowego (duża dawka chloru) należy zapobiec przedostaniu się skoncentrowanej substancji chemicznej na powierzchnię ze stali nierdzewnej. Zabrania się przywisywania pływaków dawkujących chlor do schodków lub innych znajdujących się w basenie elementów ze stali nierdzewnej;
- należy ograniczyć kontakt schodków basenowych z innymi metalami, a zwłaszcza z żelazem;
- utrzymywanie schodków basenowych w czystości przedłuża okres ich użytkowania.



**Zalecenia dotyczące właściwej konserwacji stali nierdzewnej użytkowanej w basenie**

- Na początku należy przeprowadzić dokładną kontrolę wzrokową pod kątem oznak utleniania, które mogły powstać w wyniku kontaktu z substancjami chemicznymi z otoczenia i nie zostały wykryte przed zakupem.
- Regularnie, najlepiej raz w tygodniu, należy czyścić akcesoria ze stali nierdzewnej, aby zapobiec tworzeniu się stałych osadów (sól), kurzu, brudy czy innych substancji stałych).
- W przypadku widocznych oznak osadzenia się substancji stałych lub utleniania należy umyć akcesoria ze stali nierdzewnej w letniej bieżącej wodzie i wyciszyć za pomocą nieściernego środka czyszczącego do stali nierdzewnej. Następnie opłukać letnią wodą, wysuszyć i w razie konieczności nanieść preparat do konserwacji i polerowania metali.
- Należy zwrócić szczególną uwagę na miejsca zakotwienia (np. do ziemi) oraz na wpływ poziomu wody na akcesoria ze stali nierdzewnej.
- Należy zapobiegać kontaktom elementów ze stali nierdzewnej z innymi metalami, a zwłaszcza z żelazem;
- Należy zadbać, aby pH wody basenowej mieściło się w zakresie 7,2–7,6.
- Woda w basenie powinna zawsze być czysta.
- Nie wykonuj ręcznego dozowania środków chemicznych lub dozowania dużej ilości chloru w pobliżu akcesoriów ze stali nierdzewnej, aby uniknąć ich zachłapania lub wysokiego stężenia środków chemicznych w ich pobliżu.
- Zadbaj o codzienną prawidłową cyrkulację wody w pobliżu zanurzonych nierdzewnych elementów akcesoriów, aby uniknąć osadzania się substancji stałych.
- Akcesoria ze stali nierdzewnej nie mogą być używane lub przechowywane w pobliżu urządzeń chlorujących lub w miejscach, w których jest przechowywany chlor i inne środki chemiczne.
- Co najmniej raz w roku należy przeprowadzić kontrolę całej instalacji akcesoriów ze stali nierdzewnej oraz dokonać konserwacji zapobiegawczej lub naprawy całej instalacji.
- W przypadku montażu we wnętrzu (lub np. zewnętrznej instalacji z podestem) należy zapewnić odpowiedni poziom wilgotności za pomocą osuszacza, aby zapobiec skraplaniu się wilgoci na wewnętrznych lub zewnętrznych elementach akcesoriów ze stali nierdzewnej.
- **Należy pamiętać, że utrzymanie powierzchni akcesoriów ze stali nierdzewnej w dobrym stanie ogranicza występowanie ewentualnych problemów z rdzą.**



Лестницы для бассейна предназначены для использования во всех типах встроенных (заглубленных) бассейнов, имеющих перпендикулярную стенку в месте их монтажа. Двухступенчатая лестница предназначена для бассейнов с перпендикулярной стенкой с глубиной не менее 90 см, трехступенчатая лестница для бассейнов с глубиной не менее 110 см, четырехступенчатая лестница для бассейнов с глубиной не менее 130 см (см. нижеприведенный эскиз размеров лестниц).

Бассейновая вода должна иметь значение pH в пределах 7,0 – 7,4 и концентрацию свободного хлора менее 1 мг/литр. Учитывая используемые материалы, лестницы не предназначены для использования в бассейнах, в которых обеззараживание (дезинфекция) бассейновой воды производится способом электролиза соли (салинизация).

**Важная информация:** Для безопасного использования анкера лестниц должны быть достаточно закреплены в бетонной плите, а лестница для бассейна должна быть неподвижно закреплена в анкерах.

## 2.0

## СОДЕРЖИМОЕ УПАКОВКИ

Упаковка лестницы для бассейна содержит все необходимые детали для её монтажа. Содержимое упаковки приведено в прилагаемой таблице вправо. Содержимое отличается в зависимости от типа лестницы и количества ступеней.

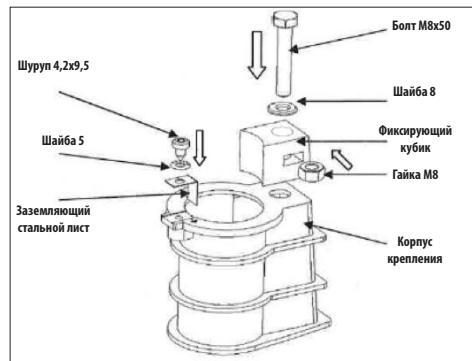
	Лестница с 2-мя ступенями	Лестница с 3-мя ступенями	Лестница с 4-мя ступенями
Комплект ступени (ступень + 2 боковины)	2	3	4
Комплект: шарнир, опоры	2	2	2
Поручень (slim или standard)	2	2	2
Нержавеющая заглушка	2	2	2
Шайба 8	6	8	10
Гайка М8	6	8	10
Болт М8х70	4	6	8
Болт М8х50	2	2	2
Корпус анкерки	2	2	2
Заземляющий ст. лист	2	2	2
Фиксирующий кубик	2	2	2
Шуруп St 4,2x9,5	2	2	2
Шайба 5	2	2	2

## 3.0

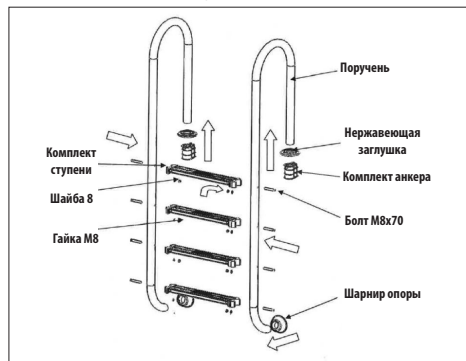
## СБОРКА ЛЕСТНИЦ

**Монтаж анкера:**

- заземляющий стальной лист с помощью шурупа 4,2x9,5 и шайбы 5 привинчиваем к корпусу анкерки;
- в фиксирующий кубик вкладываем гайку М8;
- фиксирующий кубик с гайкой вкладывается в корпус анкерки;
- корпус анкерки с помощью болта М8х50 с шайбой 8 свинчивается с фиксирующим кубиком.

**Сборка корпуса лестницы:**

- комплекты ступеней с помощью болтов М8х70 и шайбы 8 привинчиваются к поручню лестницы, второй поручень привинчивается только тогда, когда все ступени прикреплены к первому;
- на погружаемую часть ступеней надо насадить собранные шарниры опор;
- на наружную часть ступеней насаживаем нержавеющие заглушки и анкер. Анкер прикрепляем путем затяжки болтов М8х50;
- лестницу, собранную таким образом, надо забетонировать в площадку бассейна. Никогда не бетонируйте анкера лестницы отдельно без лестницы – этим вы предупредите неправильный шаг анкеров после забетонирования;
- перед бетонированием надо проверить закрытие заглушкой нижнего отверстия в корпусе анкера;
- после бетонирования анкеров выполните заземление путем электрического прямого соединения металлических частей бассейна и анкеров лестницы;



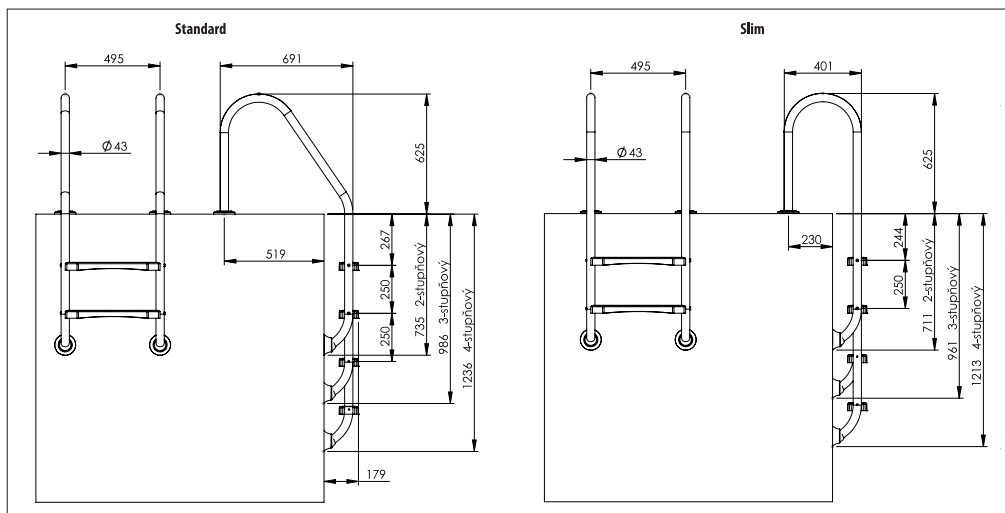
## 4.0

## ИНСТРУКЦИЯ ПО ПРИМЕНЕНИЮ

- запрещается использовать поврежденные или некомплектные ступени – возможно повреждение бассейна или угроза причинения вреда здоровью и безопасности пользователя;
- изготовитель рекомендует минимально один раз в три месяца выполнить очистку ступеней от органических и неорганических осаджений с помощью препарата для чистки нержавеющей стали. Важным является также последующая полировка консервирующим препаратом;
- по окончании сезона рекомендуется вынуть ступени из бассейна, вычистить, законсервировать и положить на хранение в сухое и чистое место;
- съемные детали не должны храниться вблизи хлорирующих устройств или в складе, где хранятся хлорные или другие химические препараты;
- дозируемый концентрированный химический препарат при ручной дозировке или химических шоках (суперхлорирование) не должен попасть на изделие из нержавеющей стали. Плавающий дозатор хлора запрещается привязывать к ступеням или к другим деталям из нержавеющей стали в бассейне.
- предотвращайте контакт лестниц для бассейна с другими металлами, прежде всего, с железом;
- поддержание в чистоте лестниц для бассейна продлевает их срок службы;

**Рекомендации по уходу за нержавеющей сталью, используемой в водной среде**

- Сначала выполните тщательный визуальный осмотр с целью выявления возможного окисдирования материала, вызванного снаружи химическими средствами, которое не было первоначально обнаружено.
- Строго соблюдайте предписанные интервалы чистки принадлежностей, начиная с еженедельной чистки так, чтобы установили оптимальный интервал чистки и всегда так, чтобы избежать образования сухих остаточных отложений (солей и других твердых веществ).
- Ручной или ударный подвод/добавление химикатов в воду не выполняйте вблизи компонентов (например, лестницы) из нержавеющей стали для предотвращения (локального) обрызгивания или повышения концентрации в ихблизи.
- Предотвратите нарастание осадка твердых веществ (солей, пыли, грязи и т.д.) на металлических деталях.
- Предотвратите контакт с другими металлическими компонентами и материалами, особенно с железом, и прямой контакт с бетоном.
- Чистку принадлежностей выполняйте питьевой водой. В случае появления небольших пятен или налета ржавчины, они должны быть удалены **неабразивным средством**, предназначенным для чистки металлов, или разбавленной азотной кислотой при температуре 10-15 °С. В обоих случаях крайне важно провести тщательное споласкивание (проточной) водой, а компонент надо тщательно высушить хлопчатобумажной тканью.
- Обратите особое внимание на места в промежутках, например, на такие как крепление лестницы, и эффектам, которые появляются на деталях из нержавеющей стали на линии уровня воды.
- Если в воду добавляются соли, или если используется электролитическая система, то тщательно соблюдайте концентрацию растворенных солей и строго соблюдайте стабильность (параметры) используемого оборудования.
- Обеспечьте регулировку значения pH и правильное использование дезинфицирующих и бактерицидных средств.
- Ежедневно выполняйте рециркуляцию воды для предотвращения образования отложений на погруженных принадлежностях.
- Обеспечьте ежедневную рециркуляцию воздуха с помощью влагоудаляющего устройства для контроля образования конденсата. В системах, где установлены мостики или доски для прыжков, необходимо обратить особое внимание на их очистку с нижней стороны для того, чтобы там не скапливалась конденсация.
- Минимально один раз в год остановите эксплуатацию и выполните тщательное техническое обслуживание принадлежностей и системы в целом.
- **Помните, что основным условием по уходу за нержавеющей сталью является следующее: чем более гладкая и чистая поверхность, тем она более коррозиестойкая.**



Le scalette per piscina sono destinate all'uso presso il luogo di montaggio di tutti i tipi di piscine interrate con pareti perpendicolari. La scaletta a 2 gradini è progettata per le piscine con pareti perpendicolari e profonde circa 90 cm, la scaletta a 3 gradini per una profondità di circa 110 cm, la scaletta a 4 gradini per una profondità di circa 130 cm (vedere più avanti "Schizzo dimensionale delle scalette").

L'acqua della piscina deve avere un pH compreso tra 7,0 e 7,4 e la concentrazione di cloro libero inferiore a 1 mg/litro. A causa dei materiali utilizzati, non sono progettate per l'uso in piscine in cui la disinfezione dell'acqua della piscina si esegue con elettroli del sale (salmazione).

**Importante:** Per un uso sicuro, gli ancoraggi della scaletta devono essere sufficientemente fissati alla lastra di cemento e la scaletta stessa saldamente fissata agli ancoraggi.

## 2.0

## CONTENUTO DELL'IMBALLAGGIO

L'imballaggio delle scalette per piscina contiene tutte le parti necessarie al relativo assemblaggio. Il contenuto dell'imballaggio è riportato nella tabella allegata. Il contenuto varia secondo il tipo e il numero di gradini della scaletta.

	Scaletta a 2 gradini	Scaletta a 3 gradini	Scaletta a 4 gradini
Sistema del gradino (gradino + 2 sponde + 2 pedate)	2	3	4
Giunto assemblato di appoggio	2	2	2
Corrimano (slim o standard)	2	2	2
Copertura in acciaio inox	2	2	2
Rondella 8	6	8	10
Dado M8	6	8	10
Vite M8x70	4	6	8
Vite M8x50	2	2	2
Corpo di ancoraggio	2	2	2
Piastra di messa a terra	2	2	2
Blocco di arresto	2	2	2
Vite da legno St 4,2 x 9,5	2	2	2
Rondella 5	2	2	2

## 3.0

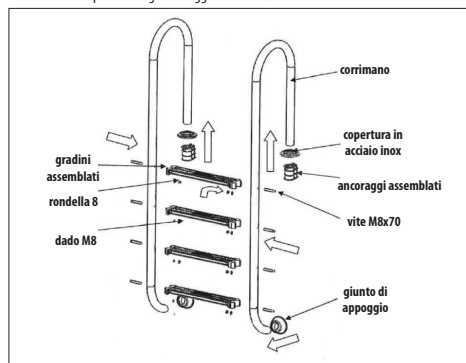
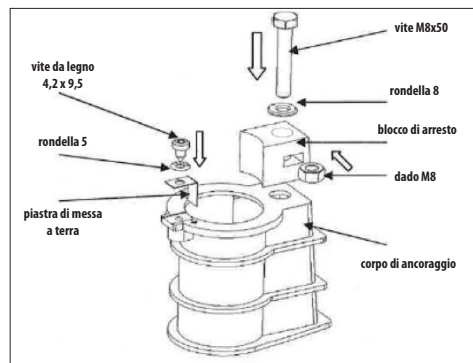
## MONTAGGIO DELLE SCALETTE

**Montaggio dell'ancoraggio:**

- avvitare la piastra di messa a terra al corpo di ancoraggio usando la vite 4,2 x 9,5 e la rondella 5
- inserire il dado M8 nel blocco di arresto
- inserire il blocco di arresto con il dado nel corpo di ancoraggio
- avvitare il corpo di ancoraggio al blocco di arresto con la vite M8x50 e la rondella 8

**Montaggio del corpo della scaletta:**

- collocare la pedata antiscivolo e la sponda in plastica sul gradino in acciaio inossidabile
- tramite le viti M8x70 e la rondelle 8, avvitare il gradino completo al corrimano della scaletta, avvitare l'altro corrimano fino a quando tutti i gradini sono fissati al primo.
- collocare il giunto assemblato di appoggio sulla parte immersa della scaletta
- collocare le coperture in acciaio inox e l'ancoraggio sulla parte esterna della scaletta. Fissare l'ancoraggio serrando le viti M8x50.
- la scaletta così assemblata va fissata nel cemento intorno alla piscina. Non fissare nel cemento gli ancoraggi senza scaletta. Si evita così la spaziatura errata degli ancoraggi.
- prima della cementificazione, è necessario verificare la chiusura con un tappo del foro inferiore nel corpo dell'ancoraggio
- dopo la cementificazione degli ancoraggi, eseguire la messa a terra del collegamento elettrico delle parti metalliche della piscina e l'ancoraggio della scaletta



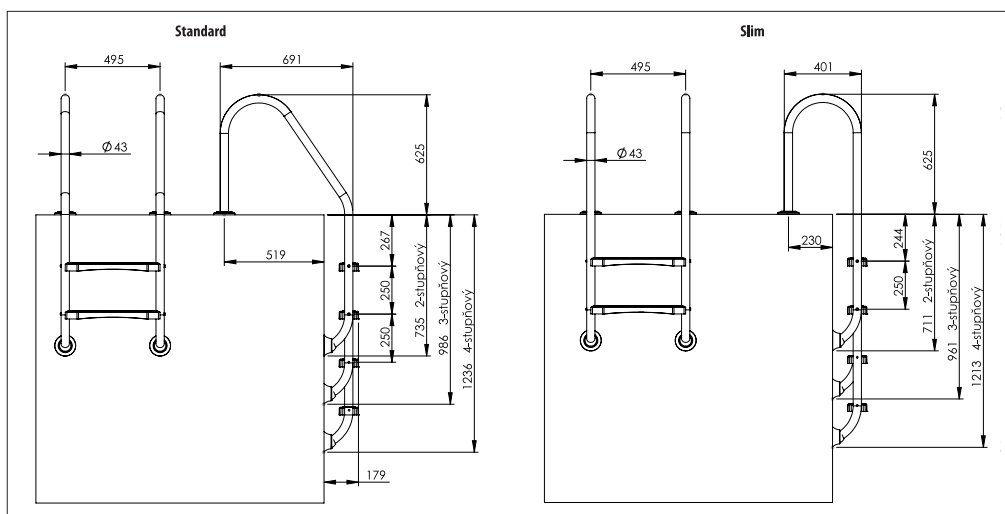
## 4.0

## ISTRUZIONI PER L'USO

- le scalette danneggiate o incomplete non vanno utilizzate. Possono causare danni alla piscina o mettere in pericolo la salute e la sicurezza dell'utilizzatore.
- almeno una volta ogni tre mesi, il produttore raccomanda di eseguire la pulizia delle scalette rimuovendo i sedimenti organici e inorganici con un prodotto per la pulizia di materiali in acciaio inox. È importante anche la successiva lucidatura con un prodotto conservante
- alla fine dell'estate si consiglia di rimuovere le scalette dalla piscina, di pulirle, trattarle con un prodotto conservante e stockarle in un luogo pulito e asciutto.
- le parti rimovibili non devono essere immagazzinate in prossimità dei dispositivi di clorazione o in un magazzino dove vengono conservati il cloro e altre sostanze chimiche.
- in caso di dosaggio manuale o shock chimici (superclorazione), i prodotti chimici concentrati dosati non devono raggiungere il prodotto in acciaio inox. È vietato legare il dosatore di cloro galleggiante alla scaletta o altre parti in acciaio inox in piscina.
- evitare il contatto della scaletta per piscina con altri metalli, principalmente con il ferro
- mantenendo pulita la scaletta si prolunga il suo ciclo di vita

**Istruzioni per la corretta manutenzione dell'acciaio inossidabile se utilizzato in piscina**

- Innanzitutto, eseguire un'ispezione visiva dettagliata per verificare la presenza di segni di ossidazione, che potrebbe essere causata da sostanze chimiche e non è stata osservata prima della vendita.
- Pulire regolarmente, preferibilmente una volta a settimana, gli accessori in acciaio inox, per impedire la creazione di sedimenti (di sale, polvere, sporco e altre sostanze solide)
- Se ci sono segni di sedimenti di particelle solide o ossidazione, lavare gli accessori in acciaio inox con acqua tiepida e detergente non abrasivo per l'acciaio inossidabile. Risciacquare con acqua tiepida, asciugare e, se del caso, trattare con un prodotto conservante e lucidante per metalli.
- Prestare particolare attenzione ai punti di ancoraggio (per esempio al suolo) e all'impatto del livello dell'acqua sugli accessori in acciaio inox.
- Evitare il contatto degli accessori in acciaio inox con altri metalli, principalmente con il ferro
- Assicurarsi sempre che il pH dell'acqua della piscina sia compreso tra 7,2 e 7,6.
- Assicurarsi che l'acqua della piscina sia sempre pulita.
- Il dosaggio manuale di prodotti chimici o la clorazione shock dell'acqua della piscina non va eseguita nei pressi degli accessori in acciaio inox, al fine di evitare spruzzi o un'alta concentrazione di sostanze chimiche.
- Verificare ogni giorno la corretta circolazione dell'acqua intorno alle parti sommerse degli accessori in acciaio inox, per impedire la sedimentazione di particelle solide.
- Gli accessori in acciaio inox non devono essere utilizzati o toccati in prossimità del dispositivo di clorazione o in luoghi dove è presente il cloro e altri prodotti chimici conservati.
- Verificare almeno una volta all'anno l'installazione completa degli accessori in acciaio inox ed effettuare la manutenzione preventiva o correttiva dell'installazione.
- In caso di installazione all'interno (o, ad esempio, di installazione esterna con podio), garantire la giusta umidità con un deumidificatore, per impedire la condensazione di umidità sulle parti interne o esterne degli accessori in acciaio inox.
- **Tenere a mente che più è pulita la superficie degli accessori in acciaio inox, meno problemi ci saranno con la presenza eventuale di ruggine.**



A medence létrát a súlyszettelt medencék valamennyi olyan típusánál történő használathoz tervezték, amely merőleges falal rendelkezik a telepítésük helyén. A kétlépcsős létrát olyan medencékhez tervezték, amely merőleges falal rendelkezik, kb. 90 cm-es mélységtől, a háromlépcsős létrát kb. 110 cm-es mélységtől kezdődő mélységhez, a négylépcsős létrát pedig kb. 130 cm-es mélységtől kezdődő mélységhez (lásd még az alábbi létra-méretajzokat). A medencevíz pH-értékének 7,0 és 7,4 között kell lennie, a szabad klór koncentrációjának pedig 1 mg/liter szint alatt. Tekintettel a felhasznált anyagokra, nem olyan medencékben történő felhasználásra tervezték őket, amelyekben a medencevíz fertőtlenítését sós elektroklóris (szikesítéses) technológiával végzik.

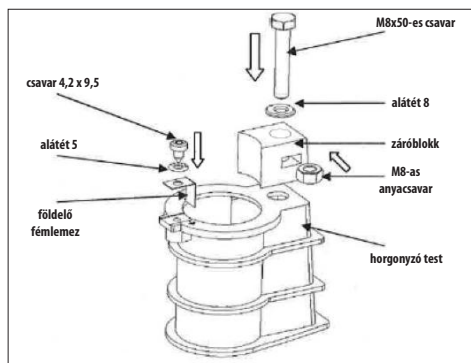
**Fontos: A biztonságos használathoz a létra horgonyait kellően le kell horgonyozni a betonlemezben, a medence létráját pedig szilárdan rögzíteni kell a horgonyokban.**

A medencelépcső csomagolása tartalmaz valamennyi szükséges alkatrészt a felszereléséhez. A csomagolás tartalma a mellékelt táblázatban található. A tartalom eltér a létra típusától és a foki számától függően.

	2-fokos létra	3-fokos létra	4-fokos létra
Fellépő készlet (lépcső + 2x oldalfal + 2x fellépő)	2	3	4
Támasztó csukló készlet	2	2	2
Fogantyú (slim vagy standard)	2	2	2
Rozsdamentes acél borítás	2	2	2
Alátét 8	6	8	10
M8-as anyacsavarok	6	8	10
Csavar M8x70	4	6	8
M8x50-es csavar	2	2	2
Horgonyzó test	2	2	2
Földelő fémlemez	2	2	2
Záróblokk	2	2	2
Csavar St 4,2 x 9,5	2	2	2
Alátét 5	2	2	2

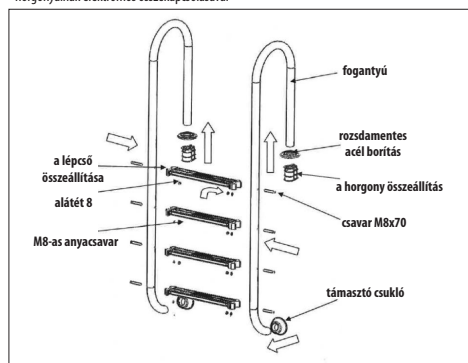
#### A horgonyás szerelése:

- a földelő lemezt a 4,2 x 9,5-ös csavar és az 5. alátét segítségével hozzá kell rögzíteni a horgonytesthez
- a záróblokkba behelyezzük az M8-as anyát
- a záróblokkot az anyával a horgonytestbe helyezzük
- az M8x50-es csavarral és a 8-as alátéttel összecsavarozható a horgony teste a záróblokkal



#### A létratest felszerelése:

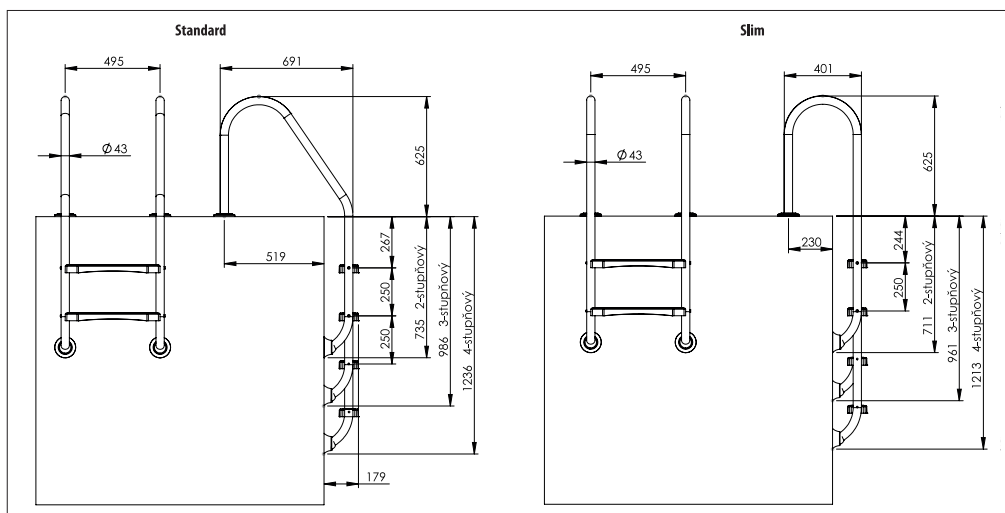
- a rozsdamentes acél lépcsőkon elüjtjük a műanyag csúszásmentes fellépőket és oldalfalakat
- a M8x70-es csavarok és a 8-as alátét segítségével hozzá kell csavarozni a lépcső szettet a létra fogantyújához, a másik fogantyút pedig addig csavarozzuk, amíg minden fok hozzá nem rögzül az elsőhöz.
- a lépcsők bemeierülő részére elüjtjük az összeállított támasz csuklókat
- a lépcső külső részére elüjtjük a rozsdamentes borításokat és a horgonyt. A horgonyt az M8 x 50-es csavarok behúzásával rögzítjük.
- az ilyen módon összeszerelt létrát le kell betonozni a medence szegélyére/gyalogjárójára. Soha ne betonozza le a létra horgonyait külön, a létra nélkül. Ezáltal megelőzheti a horgonyok nem megfelelő térkötést a betonozás után.
- a betonozás előtt ellenőrizni kell az alsó nyílás lezárását a horgonytestben fedéllel
- a horgonyok lebetonozását követően végezze el a földelést a medence fém részeinek és a létra horgonyainak elektromos összekapcsolásával



- A sérült vagy hiányos lépcső használata tilos. Sor kerülhet a medence károsodására vagy felmerülhet a kockázat a fürdőzők egészségét és biztonságát illetően.
- a gyártó legalább háromhavonta egyszer javasolja a lépcsők megtisztításának elvégzését a szerves és szervetlen lerakódásoktól, a rozsdamentes anyagok tisztítására szolgáló készítménnyel. Fontos az azt követő polírozás is tartósító készítménnyel.
- A szezon végét követően javasoljuk, hogy a lépcsőt vegye ki a medencéből, tisztítsa meg, tartótsa és helyezze tiszta és száraz helyre.
- A levehető alkatrészek nem tárolhatók klórozó berendezések közelében vagy olyan raktárban, ahol klóros vagy egyéb vegyszerek tárolnak.
- a kézi adagolásnál vagy vegyi sokk (szuperklórozás) esetén az adagolt koncentrált vegyszer nem érintkezhet a rozsdamentes acél termekkel. Tilos úszó klór adagolót helyezni a lépcsőkhöz vagy más rozsdamentes acél alkatrészekhez a medencében.
- kerülje a medencelépcső érintkezését más fémekkel, különösen vasal
- a medencelépcső tisztántartásával meghosszabbítható az élettartama

**A helyes karbantartásra vonatkozó rozsdamentes acél medencében történő használata esetén**

- Először végezze el az esetleges oxidációs jelek részletes szemrevételezését, amelyeket a környezetből származó vegyi anyagok okozhatnak és amelyeket az eladás előtt nem fedezhettek fel.
- Rendszeresen, lehetőleg hetente egyszer tisztítsa meg a rozsdamentes acél tartozékokat, hogy megakadályozza a szilárd lerakódások (só, por, szennyeződések vagy egyéb szilárd anyagok) kialakulását.
- Amennyiben szilárd részecskék lerakódásának vagy az oxidációnak a jelei láthatóak, mossa le a rozsdamentes acél tartozékokat langyos csapvízzel és tisztítsa meg őket nem abrazív, rozsdamentes acél anyagokra használható tisztítószerekkel. Öblítse le ismét langyos vízzel, szárítsa ki és esetlegesen kezelje fémek tartósítására és fényezésére szolgáló készítménnyel.
- Fordítson fokozott figyelmet a rögzítési pontoknak (pl. a földben) és a vízszint hatásának a rozsdamentes tartozékokra.
- Kerülje a rozsdamentes acél tartozékok más fémekkel történő érintkezését, különösen a vassal.
- Mindig ügyeljen arra, hogy a medence vízének pH-értéke 7,2 és 7,6 között legyen.
- Ügyeljen arra, hogy a medence vize mindig tiszta legyen.
- A vegyi anyagok kézi adagolását vagy a medencevizet sokszerezű átklórózását ne végezze rozsdamentes acél tartozékok közelében, hogy ne kerüljön sor a vegyszerek fröccsenésére vagy túl magas koncentrációjára.
- Biztosítsa a víz mindennapi, megfelelő keringését a rozsdamentes acél tartozékok vízbe merített részeinek környezetében, hogy megakadályozza a szilárd részecskék lerakódását.
- A rozsdamentes tartozékok nem használhatók vagy tárolhatók klórozó berendezések közelében vagy olyan helyeken, ahol klórtartalmú és egyéb vegyi készítményeket raktároznak.
- Legalább évente egyszer ellenőrizze a rozsdamentes acél tartozékok teljes beszerelését és végezze el a teljes telepítés megelőző vagy javító karbantartását.
- Belső telepítés esetén (vagy például kültéri telepítés esetén pódiummal) gondoskodjon a megfelelő páratartalomról páradánítóval, hogy ne kerüljön sor a nedvesség kicsapódására a rozsdamentes acél tartozékok külső vagy belső részein.
- **Tartsa észben, hogy minél jobban tisztán tartja a rozsdamentes acél tartozékok felületét, annál kevesebb problémát kell megoldania az esetleges rozsdásodást illetően.**



Bazenske ljestve su namijenjene za uporabu kod svih vrsta ugrađenih bazena s okomitom stjenkom na mjestu ugradnje. Ljestve s 2 stuba namijenjene su za bazene s okomitom stjenkom dubine ca. 90 cm, s 2 stuba za dubinu od oko 110 cm dubine, s 4 stuba za dubinu od oko 130 cm (pogledajte dolje crtež ljestvi s dimenzijama).

Voda u bazenu mora imati pH vrijednost od 7,0 do 7,4 i koncentraciju slobodnog klora u vrijednosti od 1 mg/litra. S obzirom na vrstu materijala koji se koriste u bazenima u kojima se dezinfekcija vode u bazenu vrši tehnologijom elektrolize (soljenjem).

**Važno:** Za sigurnu uporabu sidra, ljestve moraju biti dovoljno usidrena u betonskoj ploči, a bazenske ljestve učvršćene u sidrima.

## 2.0

## SADRŽAJ PAKIRANJA

Pakiranje stubova za bazen sadrži sve neophodne dijelove za montažu istih. Sadržaj pakiranja je naveden u priloženoj tabeli. Sadržaj se razlikuje prema tipu ljestvi i broja stubova.

	Ljestve imaju 2 stuba.	Ljestve imaju 3 stuba.	Ljestve imaju 4 stuba.
Sastav stubova (stubovi + 2x bočne strane +2x stubovi).	2	3	4
Set zgloba naslona.	2	2	2
Rukohvat (slim ili standard).	2	2	2
Pokrov od nehrđajućeg čelika.	2	2	2
Podloška 8	6	8	10
Matica M8	6	8	10
Vijak M8x20	4	6	8
vijak M8x50	2	2	2
Kučiste sidra.	2	2	2
Lim za uzemljenje.	2	2	2
Učvrсни blok.	2	2	2
Samorezni vijak St 4,2x9,5	2	2	2
Podloška 5	2	2	2

## 3.0

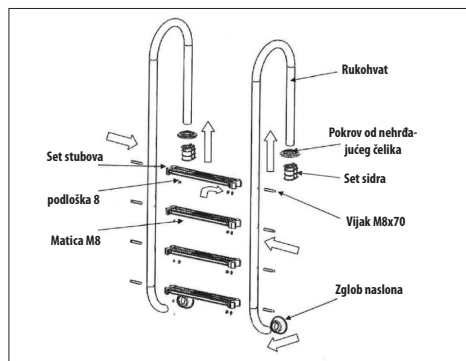
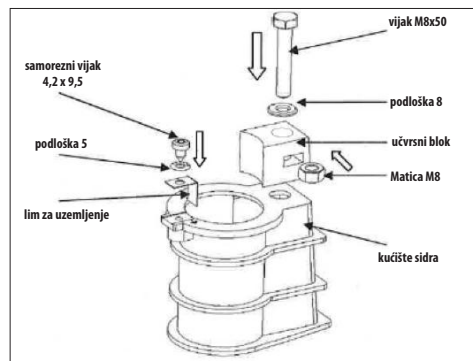
## MONTAŽA LJESTVI

**Montaža sidra:**

- lim za uzemljenje pomoću vijaka 4,2x9,5 i podloška 5 privija se u tijelo sidra;
- u učvrсни blok stavi se matica M8;
- učvrсни blok s maticom stavi se u kučiste sidra
- vijkom M8x50 s podloškom 8 zavme se tijelo sidra i učvrsnim blokom

**Montaža kučista ljestva:**

- Na stubove od nehrđajućeg čelika namjestite plastične trake protiv klizanja i bočne dijelove;
- Pomoću vijaka M8x70 i podloška 8 zavmite dijelove stubova na rukohvat ljestva, drugi rukohvat zavrnemo čim su svi stubovi učvršćeni na osnovi;
- Na potapaču dio stubova namjestite sastavljene zglobove naslona;
- na vanjski dio stepenica namjestite čepove od nehrđajućeg čelika i sidra; Sidro učvrstite privijanjem vijaka M8x50.
- montirane ljestve morate betonirati u podlogu bazena. Nikada ne betonirajte sidra ljestve posebno bez ljestve. Time sprječavate nepravilan razmak nakon betoniranja.
- prije betoniranja neophodno je provjeriti zatvaranje donjeg otvora u kučistu sidra pokrovom.
- prije betoniranja sidra morate sve metalne dijelove bazena i sidra ljestvi uzemljiti koje povežite s kablom za uzemljenje



## 4.0

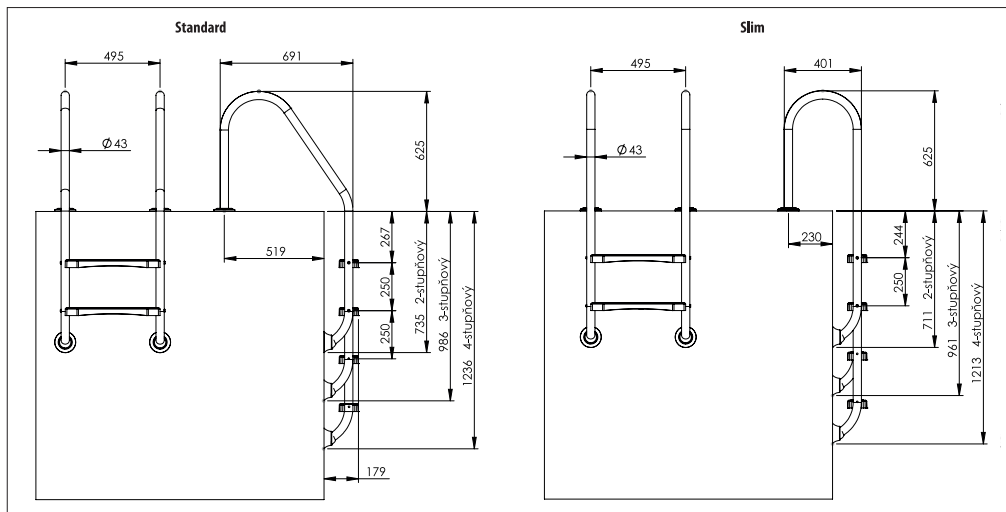
## UPUTE ZA UPORABU

- ne koristite oštećene ili nekompletne stubove. Može doći do oštećenja bazena ili opasnih ozljeda korisnika.
- proizvođač preporuča svaka tri mjeseca očistiti stubove od organskih i anorganskih sedimenta pomoću uređaja za čišćenje nehrđajućih materijala. Obavezno je i poliranje pomoću sredstva za konzerviranje.
- nakon završetka sezone preporučamo da ljestve izvadite iz bazena, da ih očistite, da se adekvatno pobrinete o njima i da ih stavite na suho mjesto.
- dijelovi koji se mogu skinuti ne smiju biti uskladišteni u blizini uređaja za kloriranje niti u skladištu gdje se nalaze kemikalije sa i bez sadržaja klora.
- prilikom ručnog doziranja ili kemijskog šoka (hiperkloriranje) dozirana koncentrirana kemikalija ne smije doći u dodir s nehrđajućim čelikom. Zabranjeno je vezati plivajuće dozatore klora na stepenice ili ostale dijelove nehrđajućeg čelika u bazenu.
- spriječite dodir bazenskih stepenica s drugim metalima, prije svega sa željezom.
- bazenski stubovi moraju biti uvijek očišćeni – time produžujete njihov životni vijek.



**Preporuke za pravilno održavanje dijelova od nehrđajućeg čelika u bazenu**

- Prvo detaljno vizualno pregledajte da li postoje bilo kakvi znaci oksidacije koja bi mogla biti uzrokovana nekom kemijskom tvari u blizini a koja, možda, nije bila otkrivena prilikom prodaje.
- Redovito (najbolje jednom tjedno) očistite opremu od nehrđajućeg čelika kako biste spriječili nastanak tvrdog sedimenta (sofi, nečistoća i ostale tvrde tvari).
- Ako otkrijete znakove čvrstih čestica ili oksidacije, operite nehrđajuću opremu mlačnom vodom i očistite blagim (ne abrazivnim) sredstvom za čišćenje nehrđajućeg čelika. Ponovno operite mlačnom vodom, osušite i tretirajte sredstvom za konzerviranje i poliranje metala.
- Posvetite pažnju mjestima sidrenja (npr. u zemlju) i utjecaju vode na nehrđajuće dijelove bazena.
- Spriječite dodir nehrđajućih dijelova s drugim metalima, prije svega sa željezom.
- PH vrijednost vode mora uvijek biti od opsegu od 7,2 do 7,6.
- Pazite da voda bude stalno savršeno čista, bez sadržaja nečistoća!
- Kemiikalije ili klorov šok nemojte stavljati u blizinu dijelova od nehrđajućeg čelika kako ne bi došlo do ozljedja ili nastanka visoke koncentracije kemikalija.
- Osigurajte svakodnevno pravilno cirkuliranje vode oko potopljenih dijelova od nehrđajućeg čelika i spriječite taloženje čvrstih čestica.
- Oprema od nehrđajućeg čelika se ne smije koristiti u blizini uređaja za kloriranje ili na mjestima gdje se nalaze kemijska sredstva ili klor.
- Bar jednom godišnje provjerite instalaciju nehrđajuće opreme i izvršite preventivno čišćenje ili popravku cijele instalacije.
- U slučaju unutarnjeg namještanja (ili npr. vanjske instalacije s podijem) morate osigurati pravilnu vlažnost s ovlaživačem kako biste izbjegli kondenzaciju vlage na vanjskim ili unutarnjim dijelovima dijelova od nehrđajućeg čelika.
- **Što bolje očistite površinu opreme od nehrđajućeg čelika, to ćete manje imati problema s hrđanjem dijelova u budućnosti.**



Стьлбите за басейн са предназначени за употреба във всички типове вкопани басейни с вертикални стени, на мястото, където са монтирани. Стьлбата с две стъпала е предназначена за басейн с вертикална стена от около 90 см дълбочина, с три стъпала – за дълбочина около 110 см, с 4 стъпала за дълбочина 130 см (виж. Размерите на горната част по-долу).

Водата в басейна трябва да бъде с рН в границите от 7,0 до 7,4 и концентрация на свободния хлор под 1 мг/литър. С оглед на използваните материали не са предначинани за употреба в басейни, в които дезинфекцията на водата в басейна се извършва чрез технологията на електролизата на соли (солна електролиза).

**Важно:** За да се осигури безопасна употреба, анкерите на стълбата трябва да бъдат фиксирани в бетонната плоча и стълбата на басейна да бъде твърдо фиксирана към анкерите.

## 2.0

## СЪДЪРЖАНИЕ НА ОПАКОВКАТА

Опаковката на стълбата за басейна съдържа всички части, необходими за нейния монтаж. Съдържанието на опаковката е посочено в приложената таблица. Съдържанието се различава според типа и броя на стъпалата.

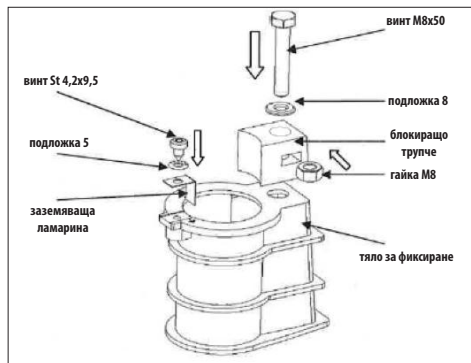
	Стьлба с 2 стъпала	Стьлба с 3 стъпала	Стьлба с 4 стъпала
Комплект на стълбата (стъпало + 2 бр. странични дъски + 2 бр. места за стъпване)	2	3	4
Комплект шарнир на опората	2	2	2
Перило (slim или standard)	2	2	2
Нерждаемо капаче	2	2	2
Подложка 8	6	8	10
Гайка М8	6	8	10
Винт М8x70	4	6	8
Винт М8x50	2	2	2
Тяло за фиксиране	2	2	2
Заземяваща ламарина	2	2	2
Блокиращо тръпче	2	2	2
Винт St 4,2x9,5	2	2	2
Подложка 5	2	2	2

## 3.0

## МОНТАЖ НА СТЬЛБАТА

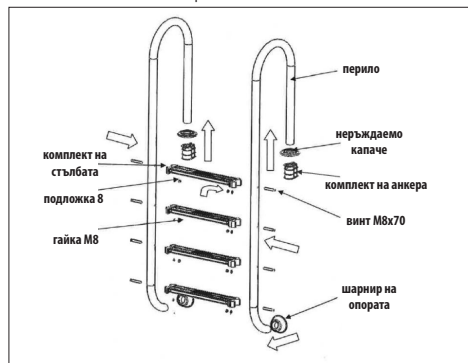
## Монтаж на анкера:

- заземяващата ламарина се завинтва към тялото за фиксиране с помощта на винт 4,2x9,5 и подложка 5
- в блокиращото тръпче се слага гайка М8
- блокиращото тръпче с гайката се поставя в тялото за фиксиране
- с винт М8x50 с подложка 8 тялото на анкера се завинтва с блокиращото тръпче



## Монтаж на тялото на стълбата:

- поставяме пластмасовото стъпало против хлъзгане и страничните греди на нерждаемата стълба
- с помощта на винтове М8x70 и подложка 8 частите на стълбата се завинтват към перилото на стълбата, второто перило завинтваме, едва след като всички стъпала са фиксирани към първото.
- върху потопената част на стълбата поставяме сплобените шарнири на опорите
- върху въздушната част на стълбата поставяме нерждаемите капачета и анкера. Фиксираме анкера чрез затягане на винтове М8x50.
- така монтираната стълба трябва да бъде бетонизирана в облицовката на басейна. Никога не бетонизирайте анкерите на стълбата отделно, без стълбата. Така ще предвидите грешно разстояние на анкера за бетонизиране.
- преди бетонизиране трябва да проверите затварянето на долния отвор в тялото на анкера с клапа / след бетонизиране на анкера извършете заземяване чрез електрическо свързване на металните части на басейна и анкера на стълбата



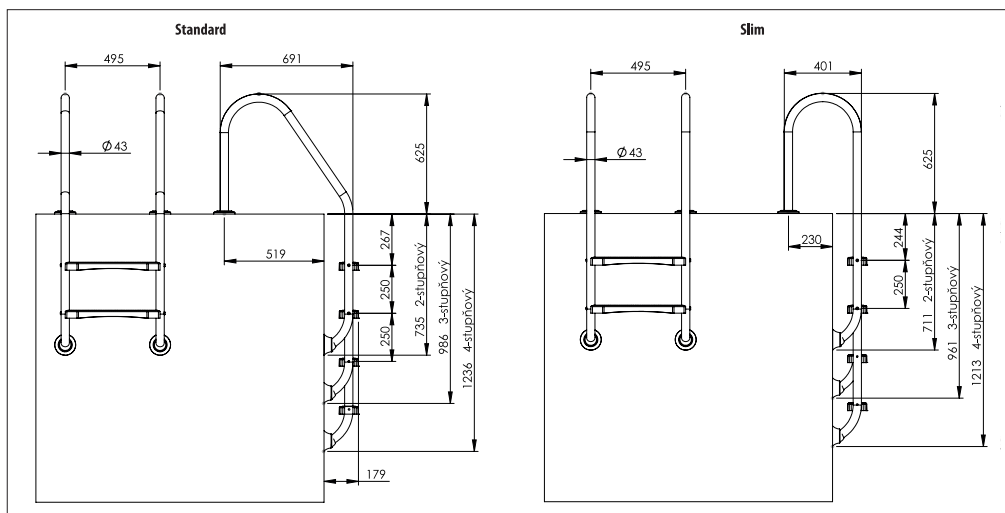
## 4.0

## УКАЗАНИЕ ЗА ПОЛЗВАНЕ

- не трябва да се използват некомплектовани или повредени стълби. Това може да доведе до повреда на басейна или до опасност за здравето и безопасността на потребителите.
- най-малко веднъж на три месеца производителят препоръчва да се извършва почистване на стълбата от органични и неорганични наслоявания с препарат за почистване на нерждаеми материали. Важно е и последващото полиране с препарат за консервиране
- след приключване на сезона препоръчваме да извадите стълбата от басейна, да я консервирате и да я поставите на чисто и сухо място.
- подвижните части не трябва да бъдат съхранявани в близост до съоръжения за хлорирание или в склад, където се съхраняват хлорни и други химикали.
- при ръчно дозиране или химични шокове (суперхлорирание), дозираният концентриран химикал не трябва да достига до нерждаем продукт. Забранено е да се привързват плаващи дозатори за хлор към стъпалата или към други нерждаеми части в басейна.
- ограничете контакта на стълбите на басейна с други метали, най-вече желязо
- поддържането на чистотата на стълбите за басейн удължава срока им на годност

**Инструкции за правилна поддръжка на неръждаема стомана при употреба в басейн**

- Най-напред направете детайлна визуална проверка на евентуалните знаци за оксидиране, които могат да бъдат причинени от химичните вещества наоколо и не е трябвало да бъдат видени преди продажбата.
- Редовно, най-добре веднъж седмично, почиствайте неръждаемите части, за да предотвратите създаването на твърди отлагания (сол, прах, замърсявания или други твърди вещества)
- Ако има видими следи от оксидиране или отлагане на твърди частици, измийте неръждаемите части с хладка вода от чешмата и почистете с неабразивен препарат за почистване на неръждаем материал. Изплакнете отново с хладка вода, изсушете и евентуално третирайте с препарат за консервиране и полиране на метали.
- Обърнете специално внимание на местата за фиксиране (например в земята) и на влиянието на водното ниво върху неръждаемите части.
- Ограничете контакта на неръждаемите части с други метали, най-вече желязо
- Винаги се уверявайте, че pH на водата в басейна е в интервала 7,2-7,6.
- Следете за това, водата в басейна винаги да бъде чиста.
- Не извършвайте ръчно дозиране с химикали или шоково прекомерно хлориране на водата в басейна близо до неръждаемите части, за да не се стигне до опръскване или висока концентрация на химикали.
- Осигурете ежедневната правилна циркулация на вода около потопените части от неръждаемото оборудване, за да предотвратите отлагането на твърди частици.
- Неръждаемото оборудване не трябва да бъде използвано или съхранявано в близост до съоръжения за хлориране или на места, където се съхраняват хлорни и други химични препарати.
- Поне веднъж годишно проверявайте цялата инсталация на неръждаемото оборудване и извършвайте превантивна или ремонтна поддръжка на цялата инсталация.
- В случай на вътрешна инсталация (или например при външна инсталация с подиум) осигурете правилна влажност с помощта на влагоабсорбатор, за да не се стигне до кондензация на влагата върху външните или вътрешните части на неръждаемото оборудване.
- **Помнете, че колкото повече поддържате неръждаемото оборудване чисто, толкова по-малко проблеми с появата на ръжда ще имате да разрешавате.**



Poolstiger er beregnet til anvendelse ved alle typer nedgravede pools med vinkelret væg på installationsstedet. 2-trins stige er beregnet til pool med vinkelret væg fra ca. 90 cm dybde, 3-trins stige for dybde fra ca. 110 cm, 4-trins for dybde fra ca. 130 cm (se Tegning af stigernes mål nedenunder).

Poolvandet skal have pH fra 7,0 til 7,4 og koncentration af fri klor under 1 mg/liter. Med hensyn til de anvendte materialer er de ikke beregnet til anvendelse i pools, hvor desinfektion af vandet foregår vha. saltelektrolyse teknologi (med saltindholdet).

**Vigtigt: For en sikker brug skal stigeankrene være tilstrækkeligt forankret i betonpladen og poolstige skal være fast bundet i ankrene.**

## 2.0

## INDHOLD AF EMBALLAGEN

Emballagen af poolstige indeholder alle nødvendige dele til deres installation. Indhold af emballagen er anvist i den vedlagte tabel. Indholdet varierer afhængigt af stige type og antal trin.

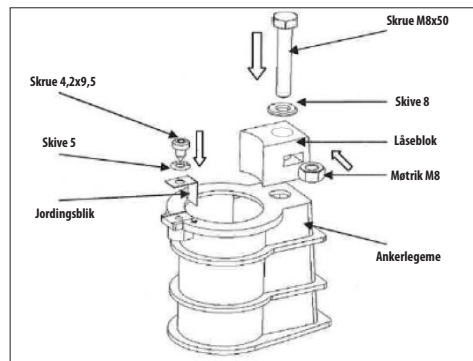
	2-trins-stige	3-trins-stige	4-trins-stige
Trappevange sæt (trin + 2x sidevange + 2x trinflade)	2	3	4
Støtteled sæt	2	2	2
Håndliste (slim eller standard)	2	2	2
Dæksel rustfrit	2	2	2
Skive 8	6	8	10
Møtrik M8	6	8	10
Skrue M8x70	4	6	8
Skrue M8x50	2	2	2
Ankerlegeme	2	2	2
Jordingsblik	2	2	2
Låseblok	2	2	2
Skrue St 4,2x9,5	2	2	2
Skive 5	2	2	2

## 3.0

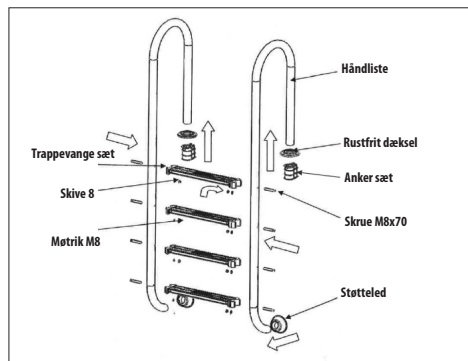
## INSTALLATION AF STIGER

**Installation af anker:**

- sru jordingsblik vha. skruer 4,2x9,5 og skive 5 til ankerlegeme
- sæt møtrik M8 ind i låseblok
- sæt låseblok med møtrik ind i ankerlegeme
- sru ankerlegeme sammen med låseblok vha. skruer M8x50 med skive 8

**Installation af stigelegeme:**

- plastic skridsikre trinflader og sidevanger sættes på rustfrie trappevanger.
- vha. skruer M8x70 og skive 8 skrues trappevanger sæt til stigens håndliste, den anden håndliste skrues, når alle trin er fastgjort til den første.
- opsatte støtteled sættes til stigens undervandsdel.
- rustfrie dæksler og anker påsættes til stigens overvandsdel. Ankrer fastgøres ved at efterspænde skruer M8x50.
- på den måde monteret stige skal støbes i beton i poolen. Monter aldrig stigeankrene separat uden stigen. Du undgår en forkert afstand af anker efter betonstøbning.
- inden betonstøbning skal der kontrolleres, at nedre åbning i ankerlegemet er lukket vha. en klap.
- efter betonstøbning af ankrene udføres jordning ved at skabe elektrisk forbindelse af poolens og ankreans metaldele.



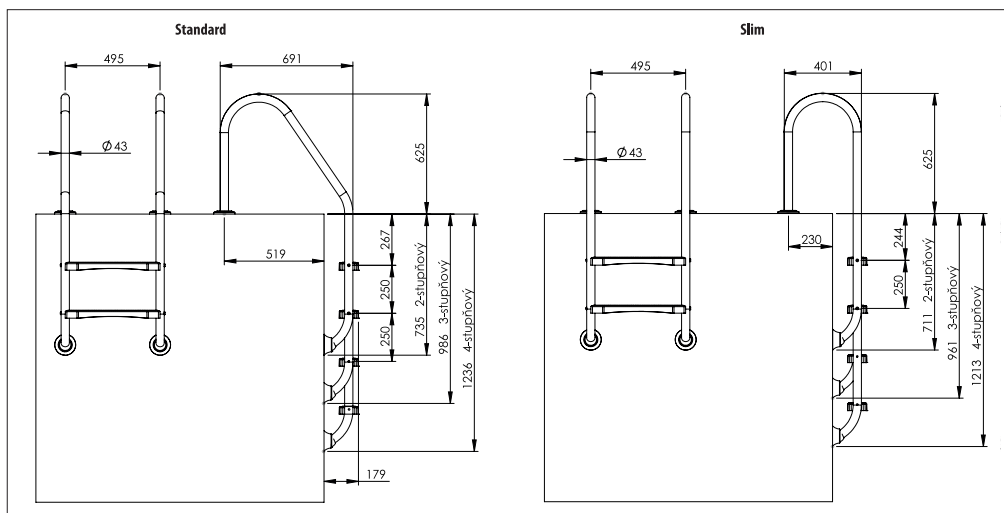
## 4.0

## BRUGSANVISNING

- beskadiget eller ukomplet stige må ikke bruges. Poolen kan beskadiges og brugerens sundhed og sikkerhed kan blive truet.
- mindst en gang om tre måneder anbefaler producenten at rense stigen af organiske og anorganiske aflejringer vha. rengøringsmidlet til rustfrie materialer. Efterfølgende polering af konserveringsmidlet er også vigtigt.
- efter afsluttet sæson anbefales at tage stigen ud af poolen, rengøre den, konservere og opbevare et rent og tørt sted.
- aftagelige dele må ikke opbevares i nærheden af kloranlæg eller i et lager, hvor der opbevares klor og andre kemikalier.
- ved manuel dosering eller ved kemiske chok (superklorering), må doseret koncentreret kemikalie ikke komme til rustfrit produkt. Det er forbudt at binde flydende klorosorere til stigen eller andre rustfrie dele i poolen.
- hindr kontakt af poolstigen med andre metaller, især med jern.
- hold poolstigen ren for at forlænge dens levetid.

**Anvisninger for en korrekt vedligeholdelse af rustfrit stål**

- Udfør først detalieret visuel kontrol af eventuelle tegn på oxidation, som kan blive forårsaget af kemiske stoffer fra omgivelser og måske er ikke blevet opdaget før salget.
- Regelmæssigt, helst en gang om ugen, rengør rustfrit tilbehør for at hindre dannelse af faste aflejringer (salte, støv, urenheder og andre stoffer).
- Er der visuelle tegn på aflejring af faste partikler eller oxidation, vask rustfrit tilbehør med lunkenet postevand og rengør vha. et ikke-abrasivt middel til rustfrit stål. Skyl med lunkenet vand igen, tør og behandl eventuelt med et middel til konservering og polering af metaller.
- Vær opmærksom især på forankringssteder (f. eks. i jorden) og indflydelse af vandniveauet på rustfrit tilbehør.
- Hindr kontakt af rustfrit tilbehør med andre metaller, især med jern.
- Vær altid sikker på, at poolvandet pH er fra 7,2 til 7,6.
- Sørg for, at poolvandet altid er rent.
- Manuel dosering af kemikalier eller chokkløring af poolvandet må ikke udføres ved rustfrit tilbehør, for at undgå sprøjtning og høj koncentration af kemikalier.
- Sørg for en daglig korrekt vandcirkulation omkring nedsænkede dele af rustfrit tilbehør for at undgå aflejring af faste partikler.
- Rustfrit tilbehør må ikke anvendes eller opbevares i nærheden af kloranlæg eller på steder, hvor der opbevares klor og andre kemiske midler.
- Mindst en gang om året tjek komplet installation af rustfrit tilbehør og udfør forebyggende eller reparerende vedligeholdelse af hele installationen.
- I tilfælde af indendørs installation (eller f. eks. udendørs installation med podium) sørg for en korrekt fugtighed vha. en affugter, for at undgå kondensering af fugtighed på ydre og indre dele af rustfrit tilbehør.
- **Husk, at jo bedre overfladen af rustfrit tilbehør holdes ren, jo færre problemer med eventuel rust løser man i fremtiden.**



Scările pentru piscină sunt destinate utilizării la toate tipurile de piscine îngropate având peretele perpendicular la locul de montaj al acestora. Scara cu 2 trepte este destinată piscinei având peretele perpendicular, începând cu circa 90 cm adâncime, cele cu 3 trepte pentru adâncimea de la aproximativ 110 cm adâncime, cele cu 4 trepte pentru adâncimi de la circa 130 cm (vezi mai jos Schița de dimensiuni scări). Apa piscinei trebuie să aibă pH în limita de la 7,0 până la 7,4 iar concentrația clorului liber trebuie să fie sub 1 mg/litru. Având în vedere materialele utilizate, scările nu sunt destinate utilizării în piscinele în care dezinfectia apei din piscină este efectuată prin tehnologia electroлізу sării (salinizare).

**Important: Pentru o utilizare sigură, ancorele scârilor trebuie să fie ancorate suficient de bine în placa de beton și scările pentru piscină trebuie fixate ferm în ancore.**

## 2.0

## CONȚINUTUL AMBALAJULUI

Ambalajul scârilor de piscină conține toate piesele necesare pentru montajul acestora. Conținutul ambalajului este menționat în tabelul anexat. Conținutul diferă în funcție de tipul scârilor și numărul treptelor.

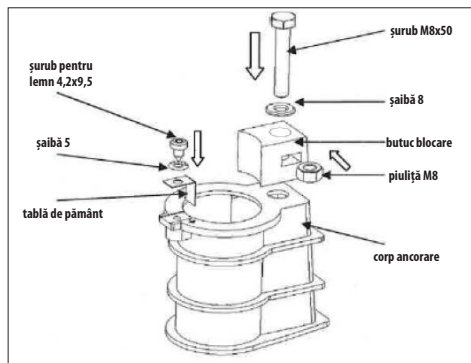
	Scări cu 2 trepte	Scări cu 3 trepte	Scări cu 4 trepte
Ansamblul vanguardului (treapta + 2x partea laterală + 2x talpă)	2	3	4
Ansamblul articulație rezemătoare	2	2	2
Mâna curentă (slim sau standard)	2	2	2
Căpăcel din inox	2	2	2
Șaibă 8	6	8	10
Piuliță M8	6	8	10
Șurub M8x70	4	6	8
Șurub M8x50	2	2	2
Corp ancorare	2	2	2
Tablă de pământ	2	2	2
Butuc blocare	2	2	2
Șurub pentru lemn St 4,2x9,5	2	2	2
Șaibă 5	2	2	2

## 3.0

## MONTAREA SCĂRILOR

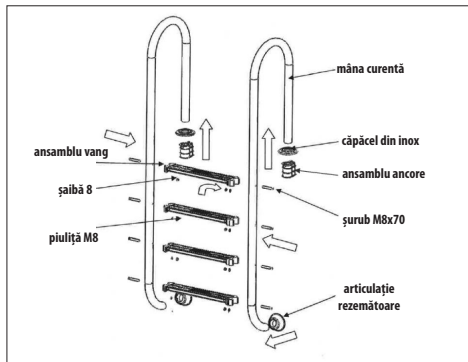
## Montarea ancorei:

- tabla de pământ se înșurubează cu ajutorul șuruburilor pentru lemn 4,2x9,5 și a șaibei 5 de corpul de ancorare
- în butucul de blocare se introduce piulița M8
- butucul de blocare cu piulița se introduce în corpul de ancorare
- cu șurubul M8x50 și șaiba 8 se înșurubează corpul ancorei cu butucul de blocare



## Montarea corpului scârilor:

- pe vanguardul din inox montăm tălpile antiderapante și părțile laterale
- cu ajutorul șuruburilor M8x70 și a șaibei 8 se înșurubează ansamblurile vanguardului la mâna curentă a scârilor, a doua mână curentă o înșurubăm după ce toate treptele sunt fixate pe prima.
- pe partea submersibilă a scârilor montăm articulațiile asamblate ale rezemătoarelor
- pe partea exterioră a scârilor montăm căpăcelele din inox și ancora. Ancora o fixăm cu șuruburile M8x50.
- scările montate în acest fel trebuie betonate în bordura piscinei. Nu betonați niciodată ancorele scârilor separat de scări. Așa preveniți pasul greșit al ancorelor după betonare.
- înainte de betonare trebuie să controlați închiderea cu capac a orificiului inferior în corpul ancorei
- după betonarea ancorelor, efectuați pământarea prin interconexiunile electrice ale părților metalice ale părții piscinei și ale ancorelor scârilor



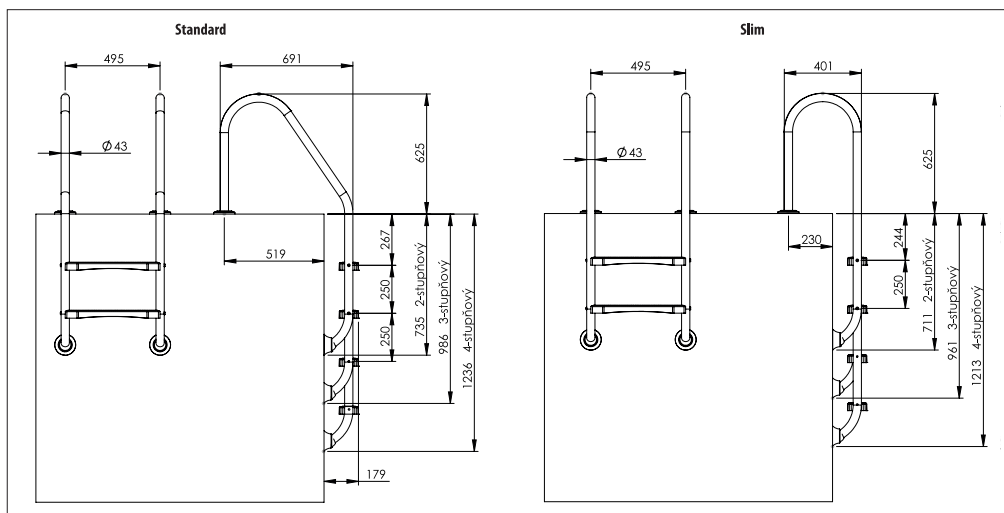
## 4.0

## INSTRUCȚIUNI DE UTILIZARE

- este interzisă utilizarea scârilor incomplete sau deteriorate. Se poate deteriora piscina sau poate fi periclitată sănătatea și securitatea utilizatorului.
- cel puțin o dată la trei luni, constructorul recomandă efectuarea curățării scârilor de depuneri organice și anorganice, cu ajutorul preparatului pentru curățarea materialelor din inox. Importantă este și lustruirea ulterioară cu un agent de conservare.
- după terminarea sezonului recomandăm scoaterea scârilor din piscină, curățarea acestora, conservarea și depunerea într-un loc curat și uscat.
- piesele amovibile nu au voie să fie depozitate în apropierea unor instalații de clor sau în depozitul în care sunt depozitate substanțele chimice pe bază de clor și altele.
- în cazul dozării manuale sau al șocurilor chimice (super clorurare), substanța chimică concentrată dozată nu are voie să ajungă la produsul inoxidabil. Este interzisă legarea dozatorului de clor flotant de scări sau alte piese inox din piscină.
- împiedicați contactul scârilor de piscină cu alte metale, îndeosebi cu fierul
- prin menținerea scârilor de piscină curate se prelungeste durata de viață a acestora

**Instrucțiuni pentru mentenanța corectă a oțelului inox în cazul utilizării în piscină**

- Mai întâi efectuați inspecția vizuală detaliată în ceea ce privește eventualele semne de oxidare care au putut fi cauzate de substanțele chimice din jur și nu au fost descoperite înainte de vânzare.
- Periodic, cel mai bine o dată pe săptămână, curățați accesoriile din inox, pentru a împiedica formarea depunerilor solide (săruri, praf, impurități sau alte substanțe solide).
- În cazul în care există semne de depunere a particulelor solide sau de oxidare, spălați accesoriul din inox cu apă caldută de la robinet și curățați cu agent de curățare neabraziv rugină. Clătiți din nou cu apă caldută, uscați și eventual tratați cu agentul de conservare și lustruire metale.
- Acordați atenție sporită locurilor de ancorare (de exemplu, în pământ) și influenței nivelului de apă asupra accesoriilor din inox.
- Împiedicați contactul accesoriilor din inox cu alte metale, îndeosebi cu fierul.
- Asigurați-vă de fiecare dată că pH-ul apei din piscină este în intervalul 7,2-7,6.
- Aveți grijă ca apa din piscină să fie tot timpul curată.
- Dozarea manuală a substanțelor chimice sau șocurile cu clor ale apei din piscină nu se vor face în apropierea accesoriilor din inox, pentru a evita împrăscierea sau concentrația înaltă a substanțelor chimice.
- Asigurați circulația zilnică corectă a apei din jurul accesoriilor din inox scufundate pentru a împiedica depunerea particulelor solide.
- Se interzice ca accesoriile din inox să fie utilizate sau depozitate în apropierea instalațiilor de clorurare sau în locurile în care se află depozitate preparate pe bază de clor și alte preparate chimice.
- Cel puțin o dată pe an verificați instalația completă a accesoriilor din inox și efectuați mentenanța preventivă sau de reparație a întregii instalații.
- În cazul instalației interioare (de exemplu, instalația exterioară cu podium), asigurați umiditatea corectă cu ajutorul instalației de evacuare umiditate, pentru a evita condensarea umidității pe părțile interne sau externe ale accesoriilor din inox.
- **Tineți minte că, cu cât mai bine întrețineți curată suprafața accesoriilor din inox, cu atât vor fi mai puține problemele cu eventuala apariție a ruginii.**



Havuz merdivenleri, her tür gömülü havuzda, montaj yerinde duvarın dik olması kaydıyla montaj için tasarlanmıştır. 2 basamaklı merdiven yaklaşık 90 cm, 3 basamaklı merdiven yaklaşık 110 cm, 4 basamaklı merdiven ise yaklaşık 130 cm derinlikler için tasarlanmıştır (bkz. devamındaki Merdiven Ölçüleri Tablosu)

Havuz suyunun pH değeri 7,0 ila 7,4 olmalı, serbest klor konsantrasyonu 1 mg/litre değerinden düşük olmalıdır. Kullanılan malzemeler itibarıyla, havuz suyunun tuz elektroliz (salinasyon) teknolojisi ile dezenfekte edildiği havuzlarda kullanım için uygun değildir.

**Önemli: Güvenli kullanım için merdiven ankrajları beton plakada yeterli seviyede gömülü olmalı ve havuz merdiveni ankrajda düzgünce sabitlenmelidir.**

## 2.0

## AMBALAJ İÇERİĞİ

Havuz merdiveni ambalajı montaj için gerekli tüm parçaları içerir. Ambalaj içeriği ekteki tabloda belirtilmiştir. İçerik, merdiven tipi ve basamak sayısına göre değişir.

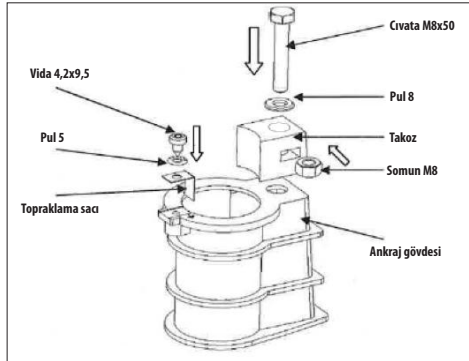
	Merdiven, 2 basamaklı	Merdiven, 3 basamaklı	Merdiven, 4 basamaklı
Basamak seti (basamak + 2x yan duvar + 2x basamak kaplaması)	2	3	4
Trabzan kolu seti	2	2	2
Trabzan (slim veya standart)	2	2	2
Paslanmaz kapak	2	2	2
Pul 8	6	8	10
Somun M8	6	8	10
Cıvata M8x70	4	6	8
Cıvata M8x50	2	2	2
Ankraj gövdesi	2	2	2
Topraklama sacı	2	2	2
Takoz	2	2	2
Vida St 4,2x9,5	2	2	2
Pul 5	2	2	2

## 3.0

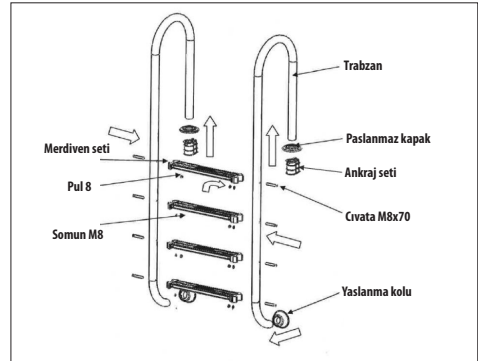
## MERDİVEN MONTAJI

**Ankraj montajı:**

- Topraklama sacı 4,2x9,5 vida ve pul 5 yardımıyla ankraj gövdesine vidalanır.
- Takozla M8 somun yerleştirilir
- Takoz somunlarla birlikte ankraj gövdesine yerleştirilir
- M8-50 cıvata ve pul 8 ile ankraj gövdesi takozla vidalanır

**Merdiven gövdesi montajı:**

- Paslanmaz basamaklara plastik kaymayı önleyici kaplama ve yan duvarlar yerleştirilir.
- M8x70 cıvatalar ve pul 8 ile basamak setleri merdiven trabzanna vidalanır. Önce tüm basamaklar ilk trabzana sabitlenir, sonra ikinci trabzana takılır.
- Merdivenin su altında kalan kısmına paslanmaz kolları takılır.
- Merdivenin dışarda kalan kısmına paslanmaz kapaklar ve ankraj takılır. Ankraj, M8x50 cıvatalar sıkılarak sabitlenir.
- Bu şekilde monte edilmiş merdiven, daha sonra havuz çevresinde betonlanarak sabitlenmelidir. Asla ankrajları kendi başına, merdivensiz betonlamayın. Aksi takdirde betonlandıktan sonra açıklık ölçüsü kayması olabilir.
- Betonlama öncesinde ankraj gövdesinin alt deliğinin kapalı olduğu kontrol edilmelidir.
- Ankraj betonlandıktan sonra, havuzun metal parçaları ile merdiven ankrajını elektriksiz olarak bağlayarak topraklayın.



## 4.0

## KULLANIM KILAVUZU

- Hasarlı veya parçaları eksik merdivenlerin kullanılması yasaktır. Aksi takdirde havuzda hasar veya kullanıcı sağlığı için tehlike oluşabilir.
- Kullanıcının basamakları en az üç ayda bir organik ve anorganik tortulardan paslanmaz malzemeler için temizlik maddesi ile temizlemesi imalatçı tarafından tavsiye edilir. Temizleme sonrasında muhafaza malzemesi sürülmesi önemlidir.
- Sezon sonunda merdivenin havuzdan çıkarak temizlenmesi ve muhafaza altına alınarak kuru ve temiz bir yerde saklanması tavsiye edilir.
- Sökülebilir parçalar klorlama teçhizatlarının yakınında veya klor ve başka kimyasalların bulunduğu alanlarda depolanmamalıdır.
- Manuel dozlama veya kimyasal şoklarda (süper-klorasyon), dozajlanan kimyasal paslanmaz ürüne ulaşmamalıdır. Üzzer klor dozlayıcılar merdivenlere veya havuzdaki diğer paslanmaz metal parçalara bağlanmamalıdır.
- Merdiven basamaklarının, özellikle demir olmak üzere diğer metaller ile temasını engelleyiniz.
- Havuz merdiveninin temiz tutulması, kullanım ömrünü uzatır.



**Havuzda kullanılan paslanmaz çeliğin bakım talimatları**

- Öncelikle ayrıntılı bir görsel kontrol yaparak oksidasyon işaretlerine bakınız. Bunlar çevredeki kimyasal maddeler tarafından oluşabilir ve satış öncesinde tespit edilmiş olabilir.
- Düzenli olarak (en uygunu haftada bir), katı tortuların (tuz, toz, kirlilik veya sair katı maddeler) oluşumunu engellemek için paslanmaz donanımı temizleyiniz.
- Şayet katı maddelerin tortulaşması veya oksidasyon gözlemleniyorsa, paslanmaz çelik donanımı ılık musluk suyu ile yıkayınız ve ardından olmayan bir paslanmaz çelik temizlik maddesi ile temizleyiniz. Tekrar ılık su ile durulayınız ve gerekirse metal parçaların muhafazası ve parlatılması için uygun bir madde ile koruyunuz.
- Özellikle ankraj noktalarına (örn. zemine) ve su seviyesinin paslanmaz çelik donanımı etkilerine dikkat ediniz.
- Paslanmaz çelik donanımın diğer metaller, özellikle demir ile temasına mani olunuz.
- Havuz suyunun pH değerinin her zaman 7,2-7,6 aralığında olmasına dikkat ediniz.
- Suyu her zaman temiz tutunuz.
- Manüel kimyasal dozajı veya havuz suyunun şok-klorlama yöntemlerini paslanmaz donanım yakınında yapmayınız, ki sıçrama veya aşırı konsantrasyonu maruz kalmasın.
- Su altındaki bölümlerin etrafında düzgün bir su sirkülasyonu sağlayarak, katı maddelerin tortulaşmasını engelleyiniz.
- Paslanmaz çelik donanım, klorlama cihazlarının yakınında veya klor ve diğer kimyasalların saklandığı depolarda kullanılamaz ve depolanamaz.
- En az yılda bir komple paslanmaz donanımı kontrol ediniz ve önlemsele veya onarım amaçlı bakımı yapınız.
- Kapalı havuzlarda veya kapatılabilir açık havuzlarda doğru nem alıcılar ile sağlayarak, paslanmaz çelik donanımın iç ve dış kısımlarında nem yoğunlaşmasını engelleyiniz.
- Paslanmaz çelik donanımın yüzeyini ne kadar temiz tutarsanız, ileride o kadar az pas problemi yaşayacağınızı unutmayınız.

