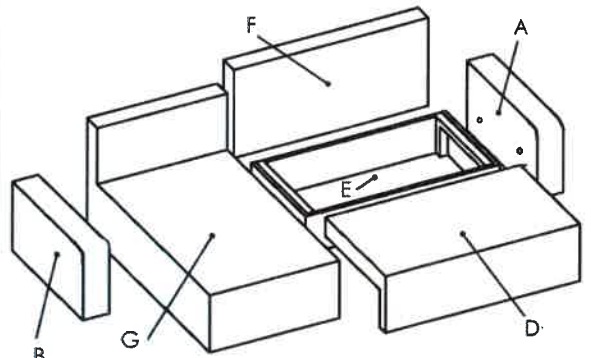
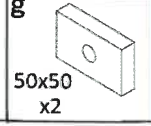
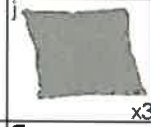
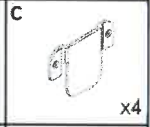
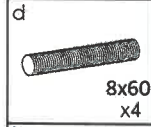
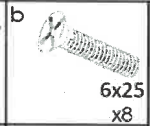
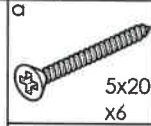
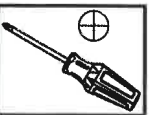
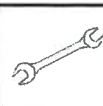


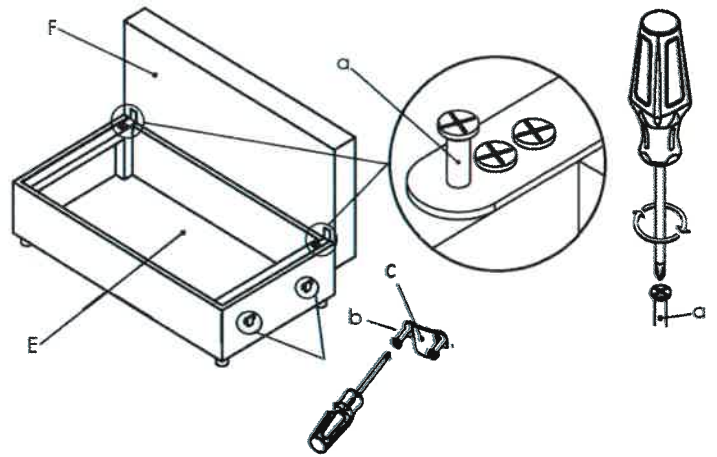
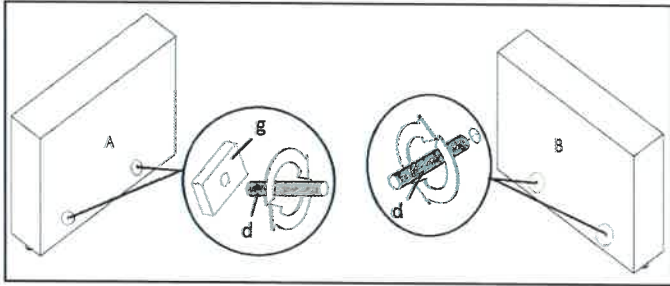


Ver.15.06.2021.

# COMBRIT -R

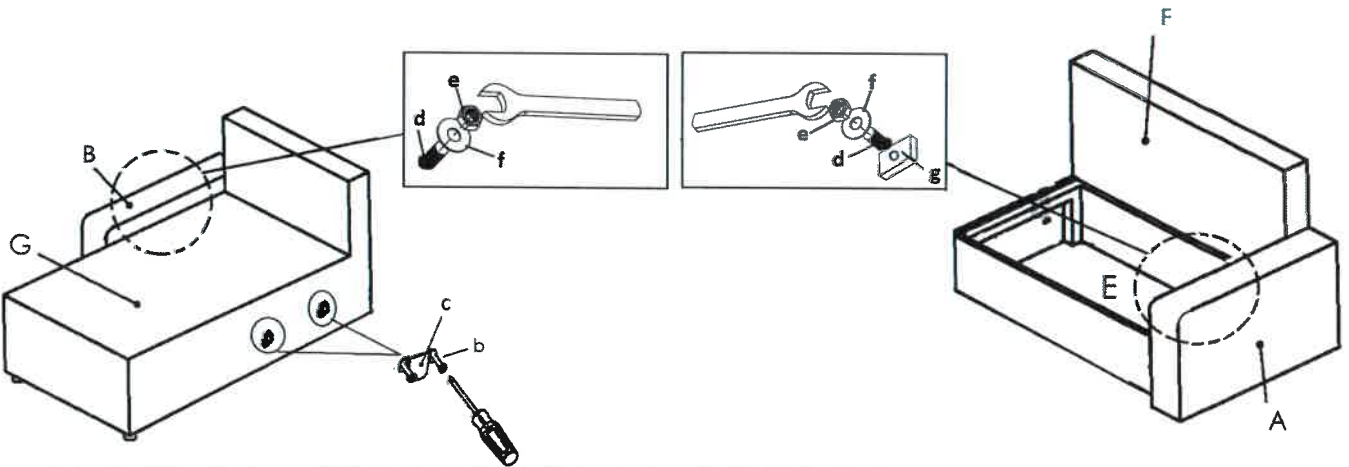


1.

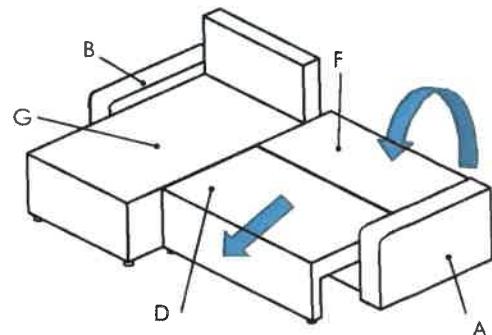
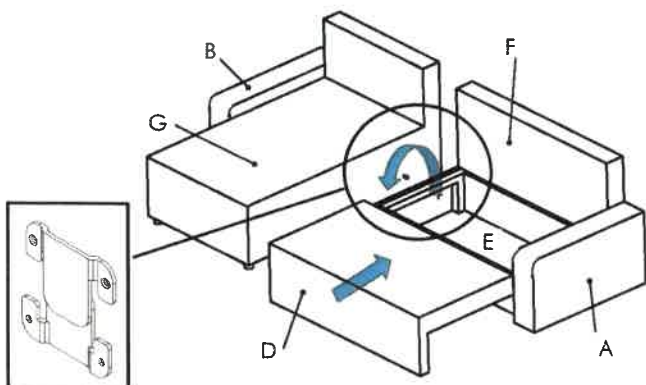


g x2  
d x4  
a x6  
b x4  
c x2

2.



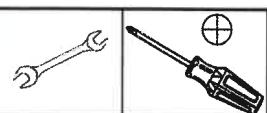
b x4  
c x2  
e x4  
f x4



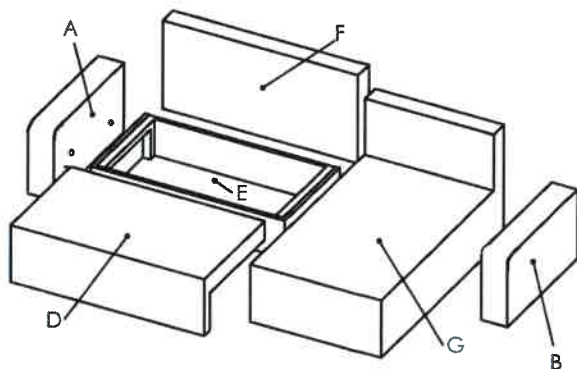


Ver. 15.06.2021.

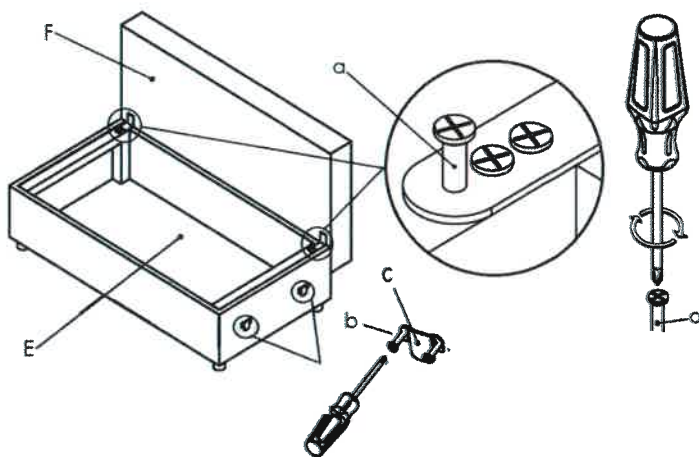
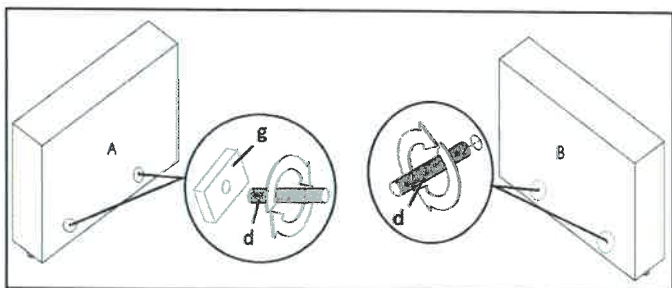
# COMBRIT - L



- a 5x20 x6
- b 6x25 x8
- d 8x60 x4
- c x4
- j x3
- e x4
- g 50x50 x2
- f x4

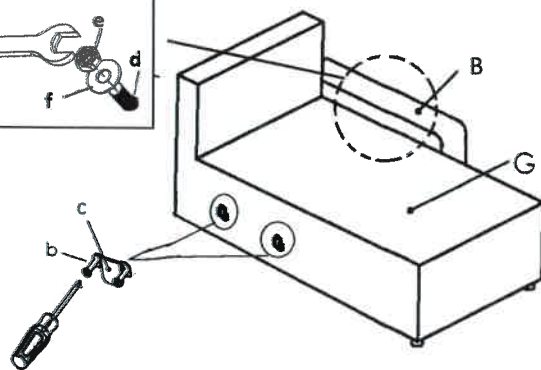
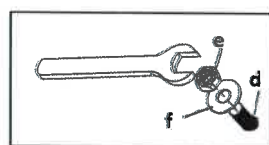
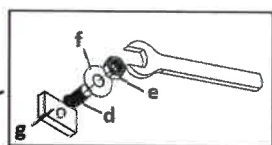
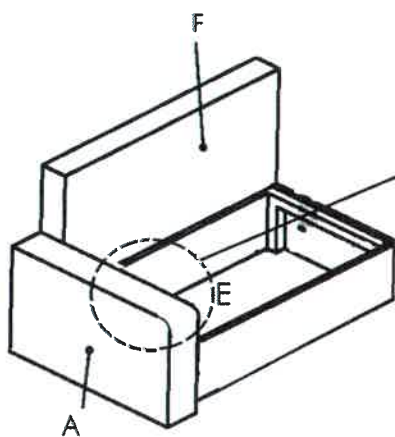


1.



- d x4
- g x2
- a x6
- b x4
- c x2

2.



- b x4
- c x2
- e x4
- f x4

