

TM

analogis



Wash 'n' play 2

AN EXCLUSIVE PRODUCT FROM: Phono-Zubehör-Vertrieb GmbH
Dyrotzer Weg 26 • DE-14612 Falkensee • GERMANY
Phone: 0049-(0)3322/50792-0 • FAX: 0049-(0)3322/50792-99
E-Mail: info@tonnadel.de • www.analogis.eu

1

SINGLE (7")

LP/MAXI (12")



A



A 1



B

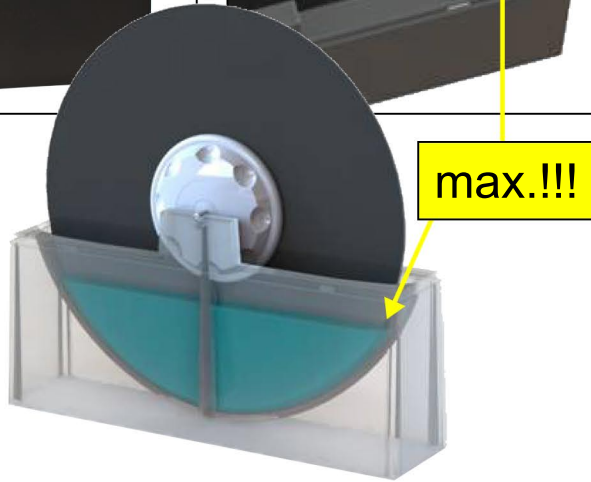
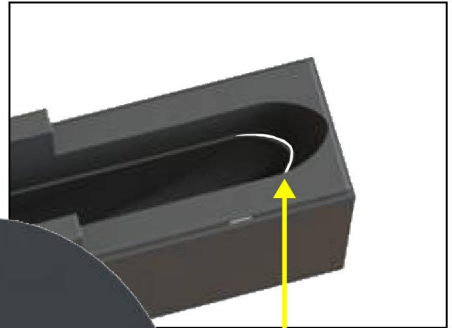


C



D





Inhalt • Zawartość • Obsah • Inhoud • Contenido • Conteúdo • Volume • Content



EXTRA

