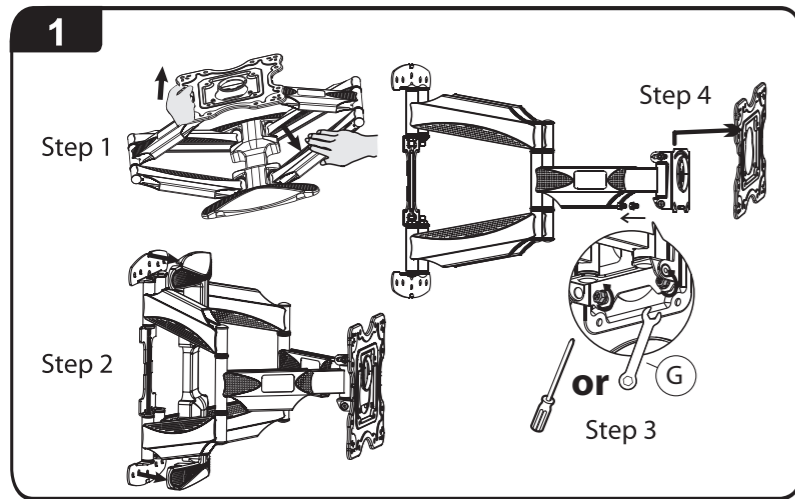


TV Wall Mount



100 – 400mm

100mm

200mm

300mm

400mm

±4°

490mm

+8° / -5°

48mm

Basis Daten
Basic data

max. 400x400

Max 45,5 kg

32-75"

48 mm

Benötigtes Werkzeug
Required tools

Packungsinhalt
Packaging contents

A	4x M4x25	D	4x Ø17xØ8,2x12	G	1x 10mm
B	4x M6x25	E	4x Ø13xØ6,2x1,5	H	5x 7x70
C	4x M8x25	F	4x M6	I	5x Ø10xØ7x60

