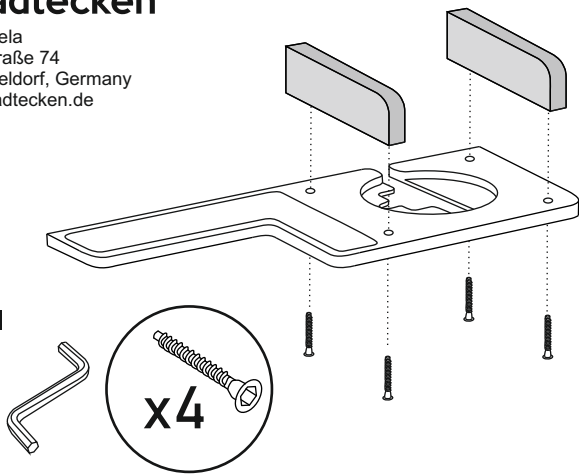
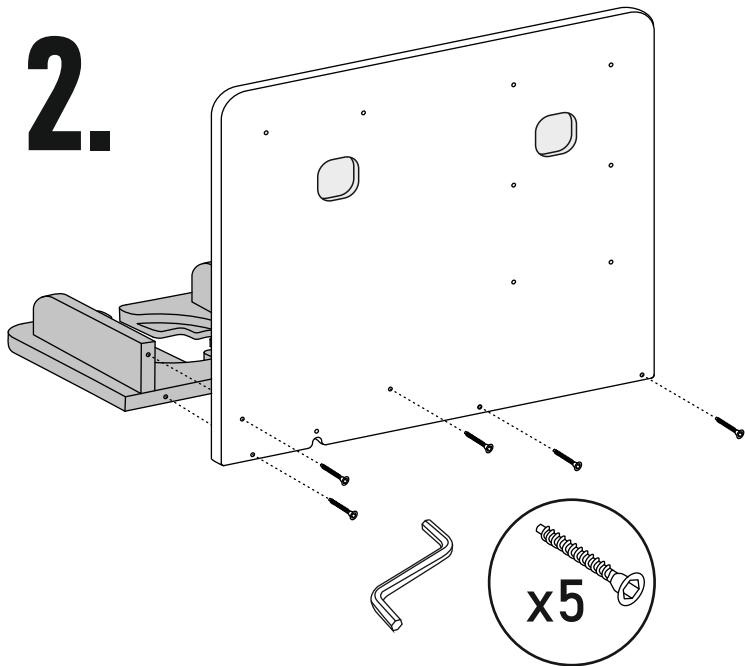


**1.**

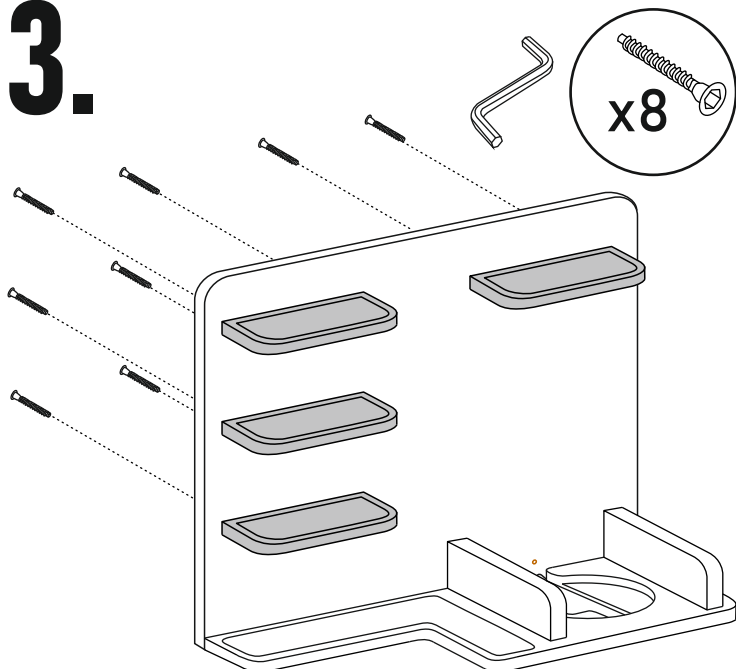


**2.**



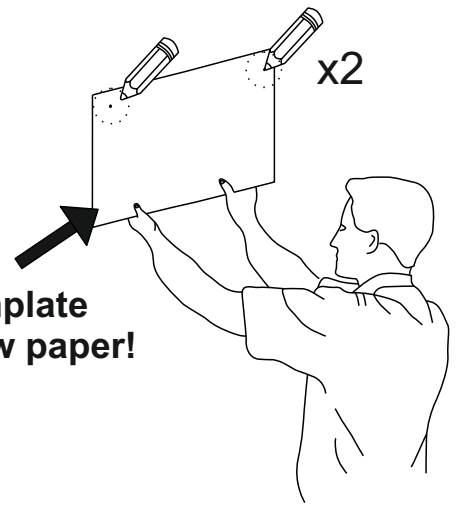
**Warning! Do not damage the print**

**3.**

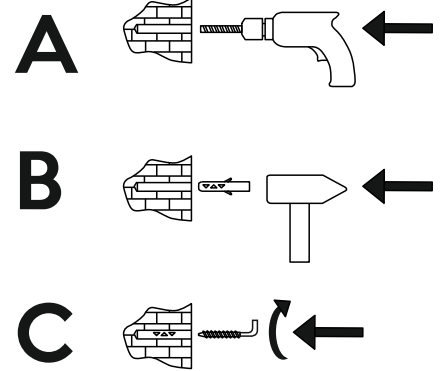


**4.**

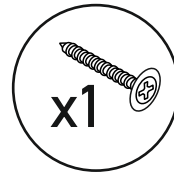
**Hole template  
on yellow paper!**



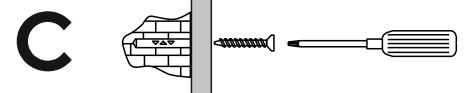
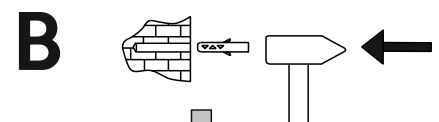
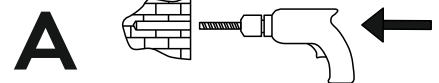
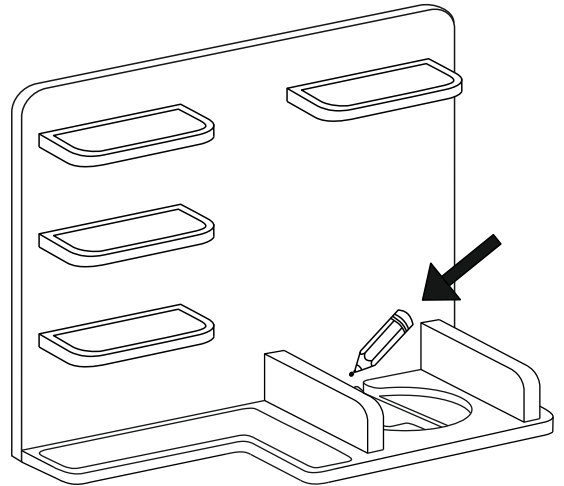
**5.**



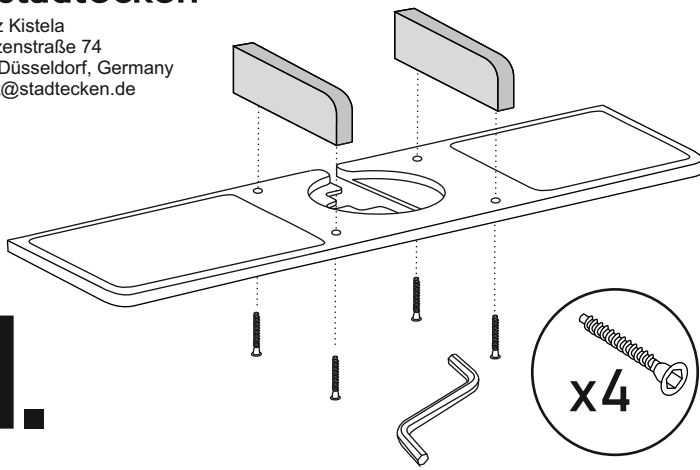
**6.**



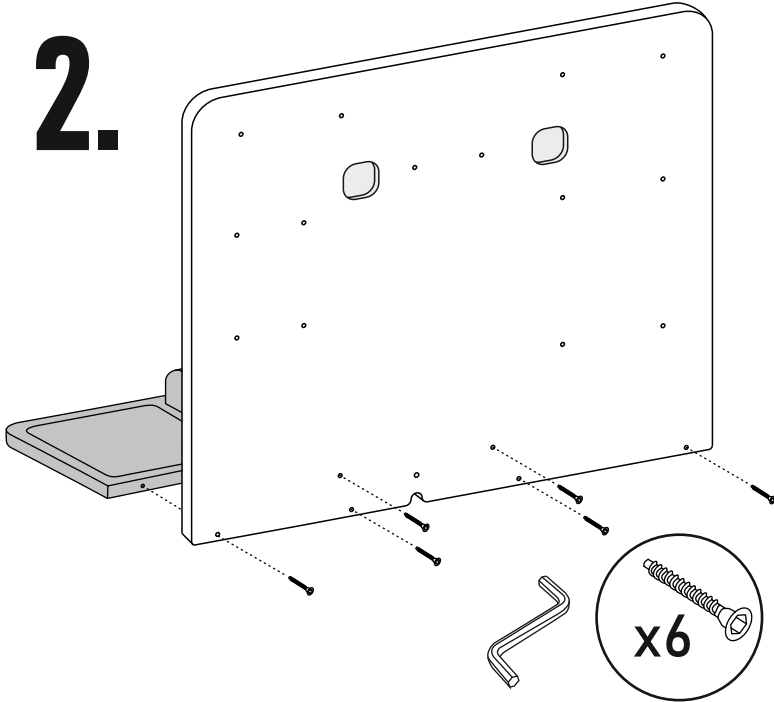
**Warning!  
Screw to the wall**



**1.**

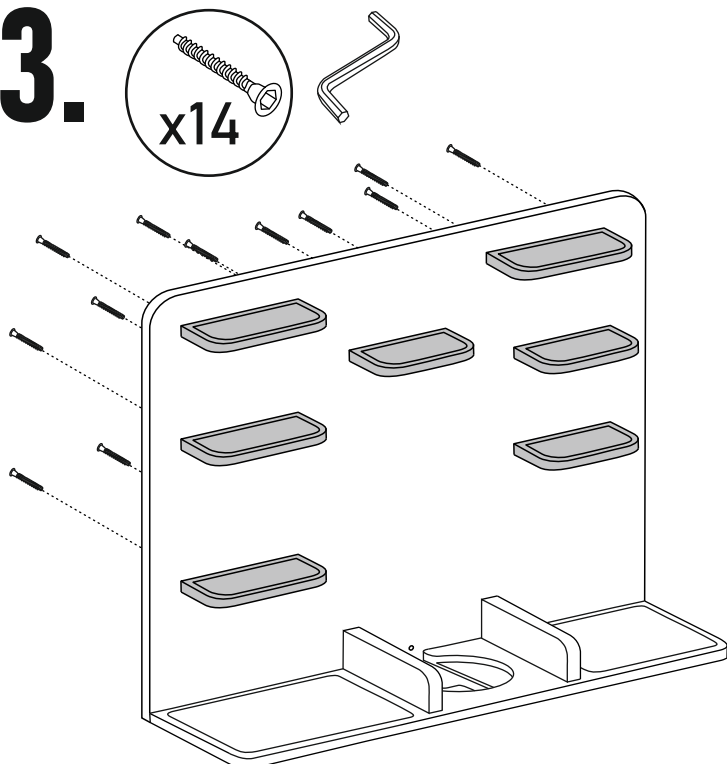


**2.**



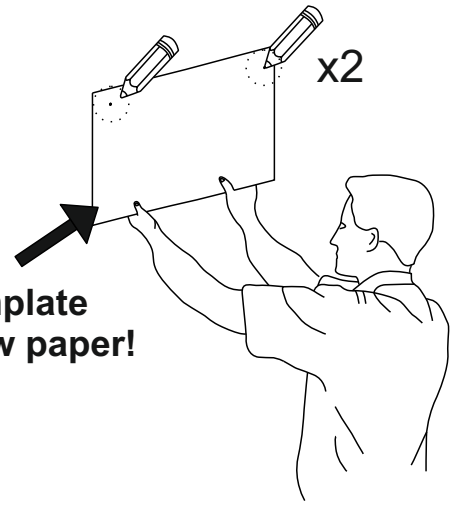
**Warning! Do not damage the print**

**3.**



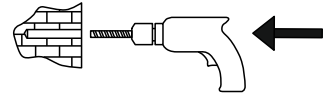
**4.**

**Hole template  
on yellow paper!**

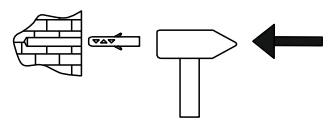


**5.**

**A**



**B**



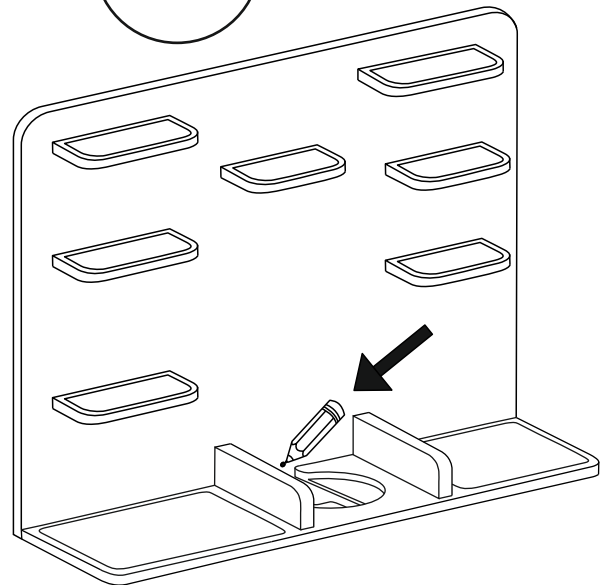
**C**



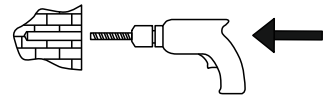
**6.**

**x1**

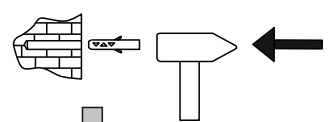
**Warning!  
Screw to the wall**



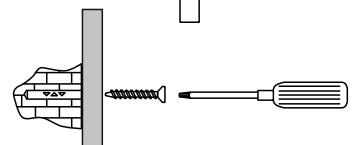
**A**

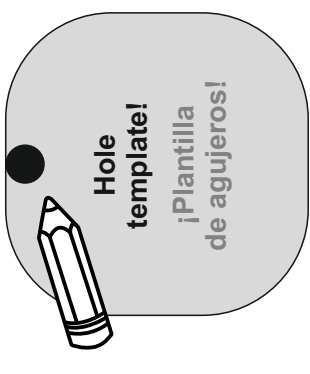
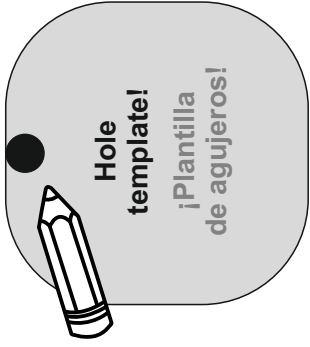


**B**



**C**





## **Warning!**

### **Do not damage the print when installing the poles.**

1. Not suitable for children under 36 months.
2. For domestic use only.
3. Use under the direct supervision of an adult.
4. Clean the shelf only with a dry cloth. If there is severe (local) dirt, the affected area can be cleaned with a slightly damp cotton cloth. Only light pressure should be used.