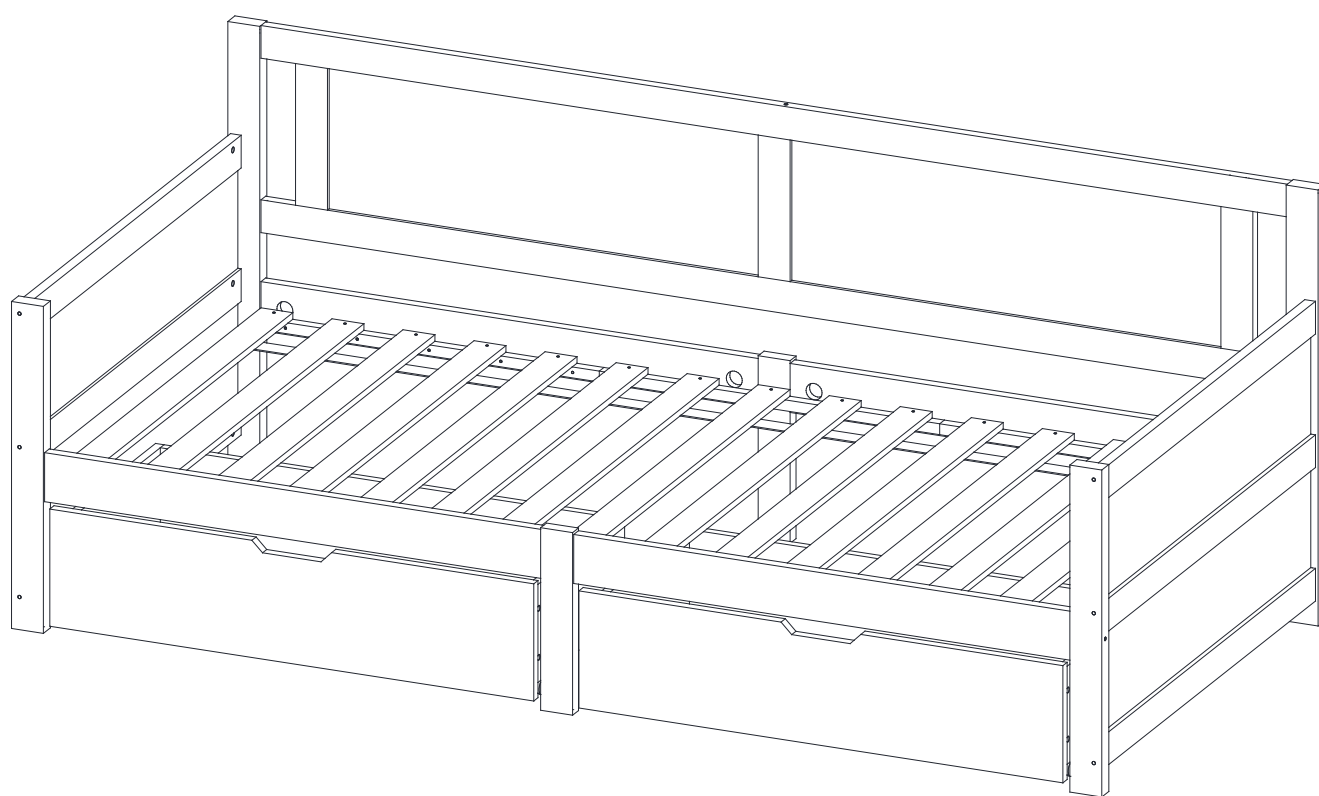


MONTAGEINSTRUKTIONEN

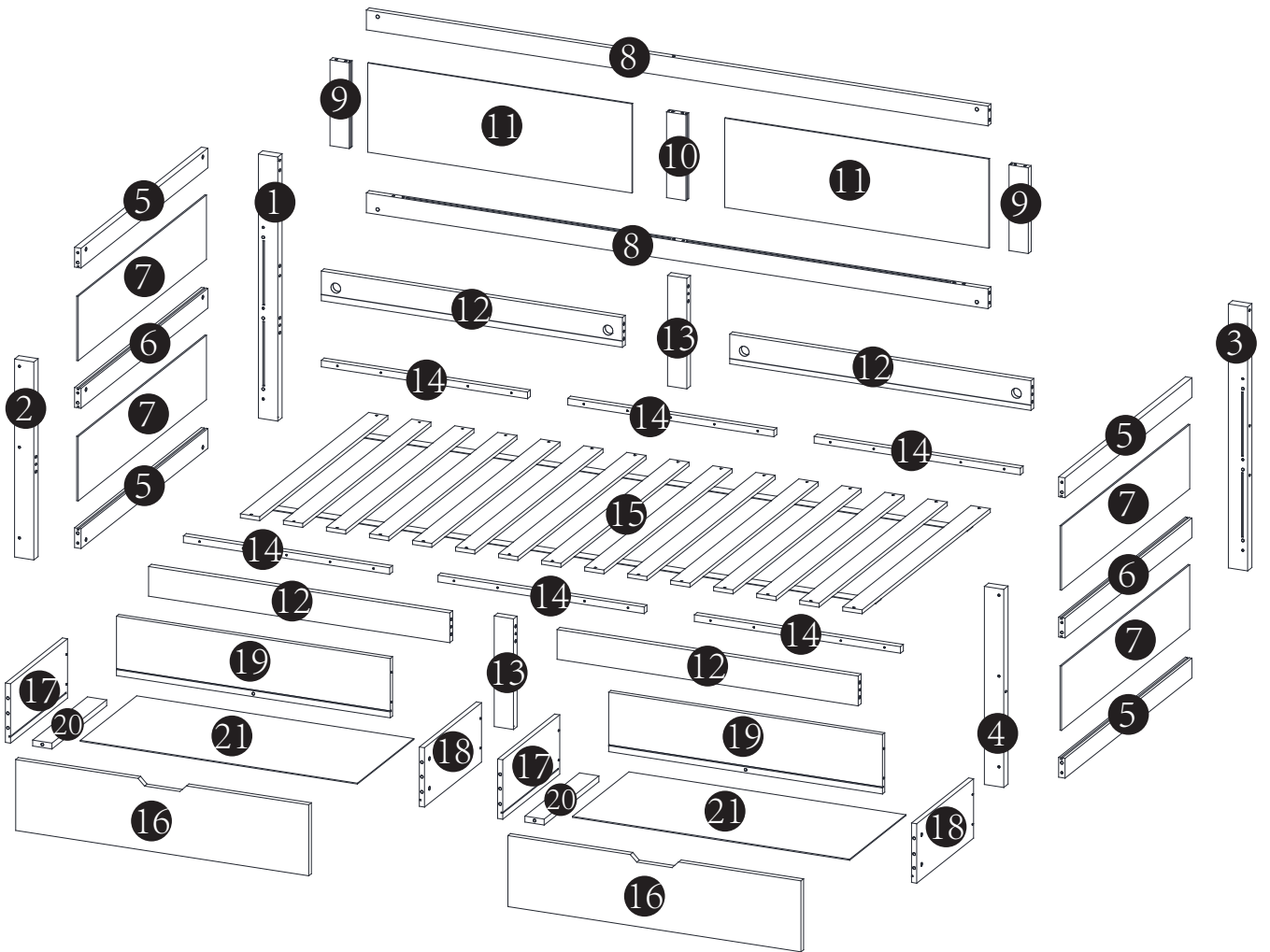
Sofabett aus Holz

WF322961

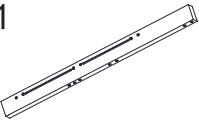
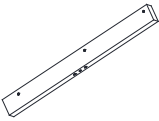
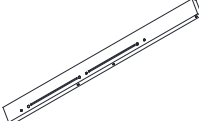
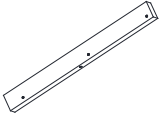
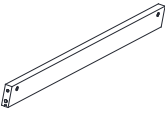
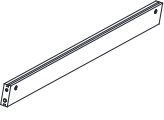
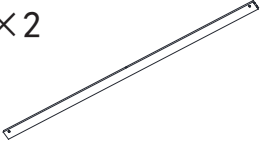


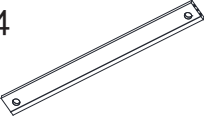
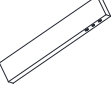
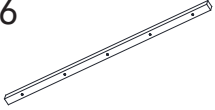
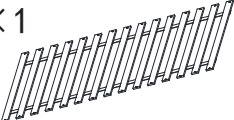
WF322962



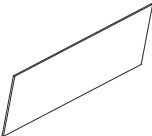

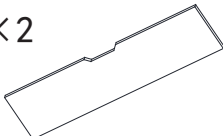
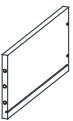
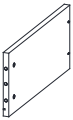
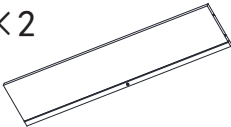
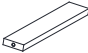
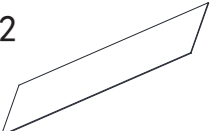
Detailansicht











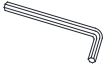







WF322961

1 × 1 	2 × 1 	3 × 1 	4 × 1 
5 × 4 	6 × 2 	8 × 2 	9 × 2 
10 × 1 	12 × 4 	13 × 2 	14 × 6 
15 × 1 			

WF322962

7 × 4 	11 × 2 	16 × 2 	17 × 2 
18 × 2 	19 × 2 	20 × 2 	21 × 2 

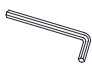
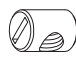


WF322961

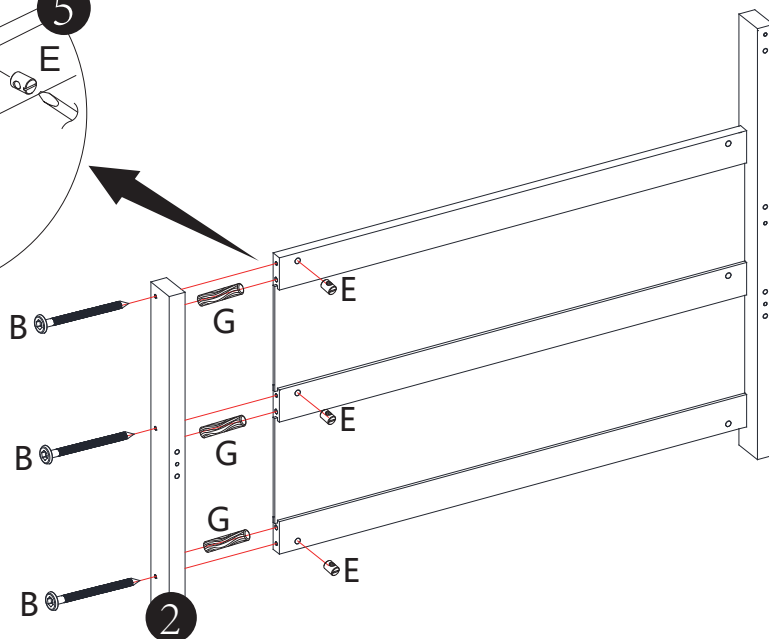
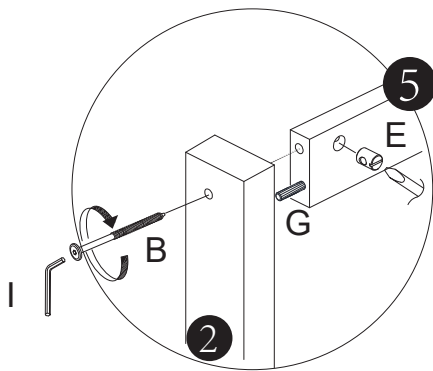
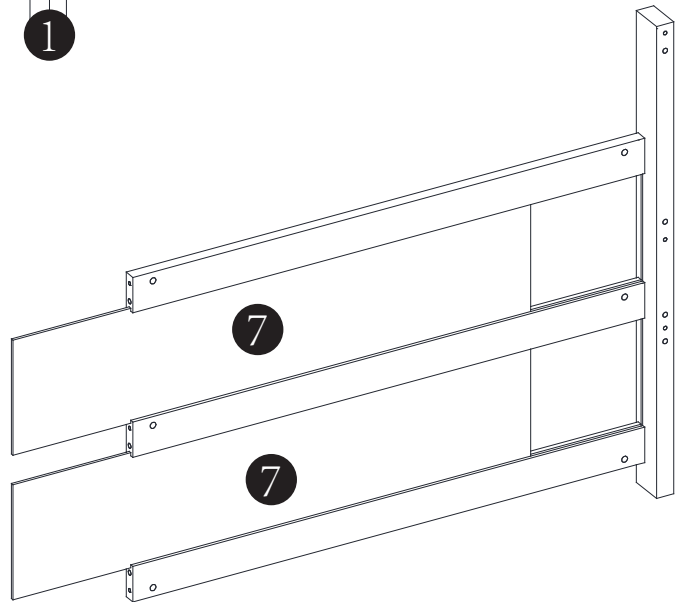
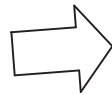
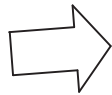
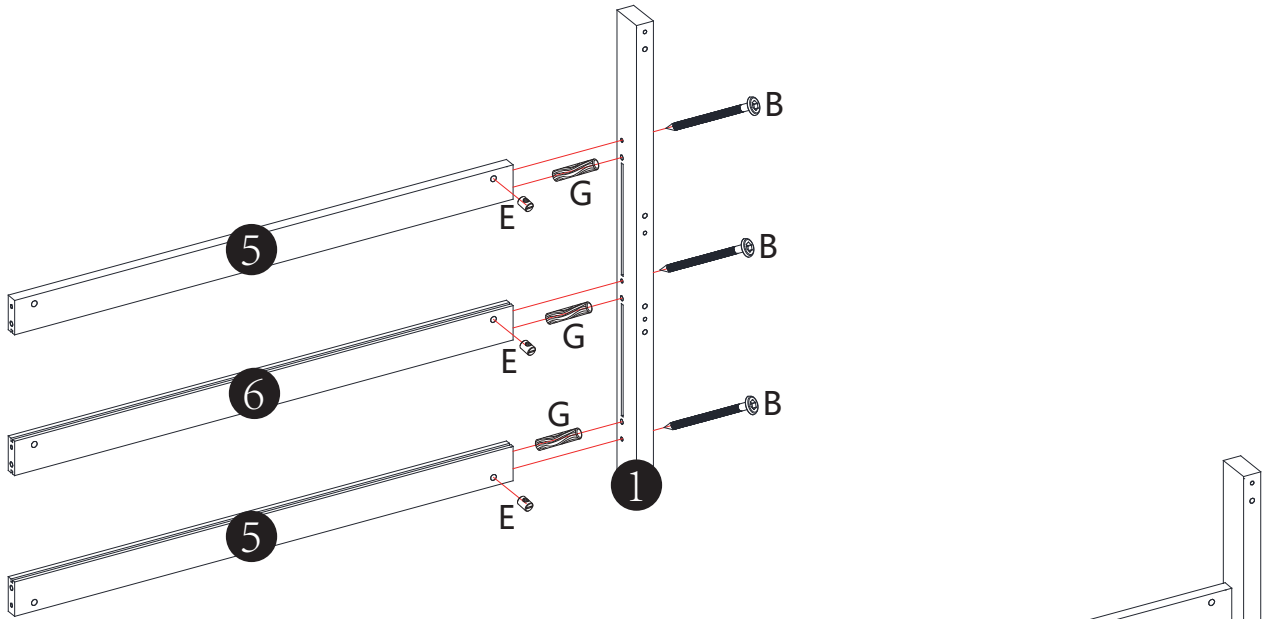
A  M6*100mm(8PCS)	B  M6*70mm(12PCS)	C  (12PCS)	D  (12PCS)
E  (16PCS)	F  Φ4*30mm(68PCS)	G  Φ8*30mm(46PCS)	H  Φ7*50mm(2PCS)
I  (1PC)	J  (1PC)	K  (2PCS)	L  (8PCS)
M  M6*140mm(2PCS)	N  (8PCS)	O  (8PCS)	P  Φ3.5*14mm(16PCS)

VERWENDEN SIE KEINE POWER TOOLS, um dieses Produkt zusammenzubauen!


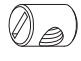


Do not use power tools to assemble this product!

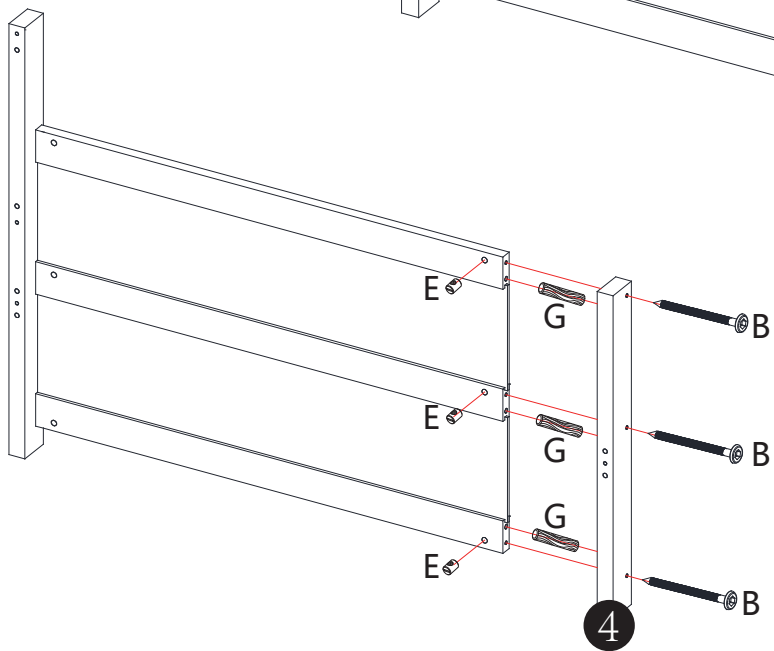
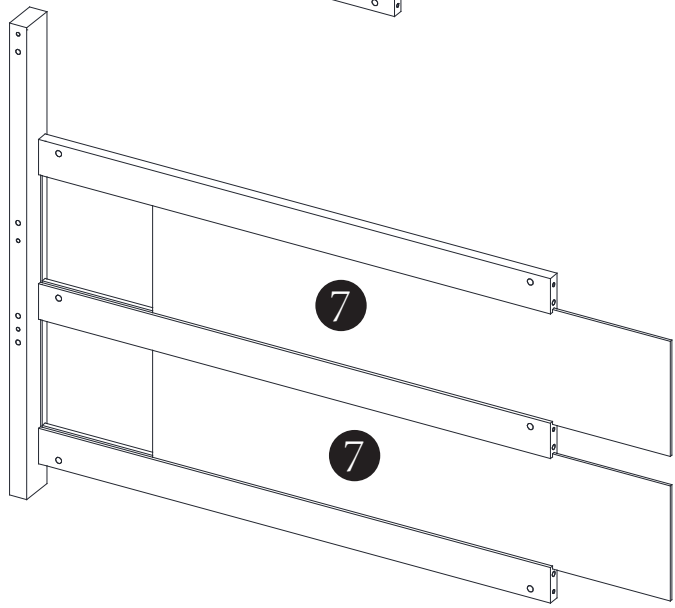
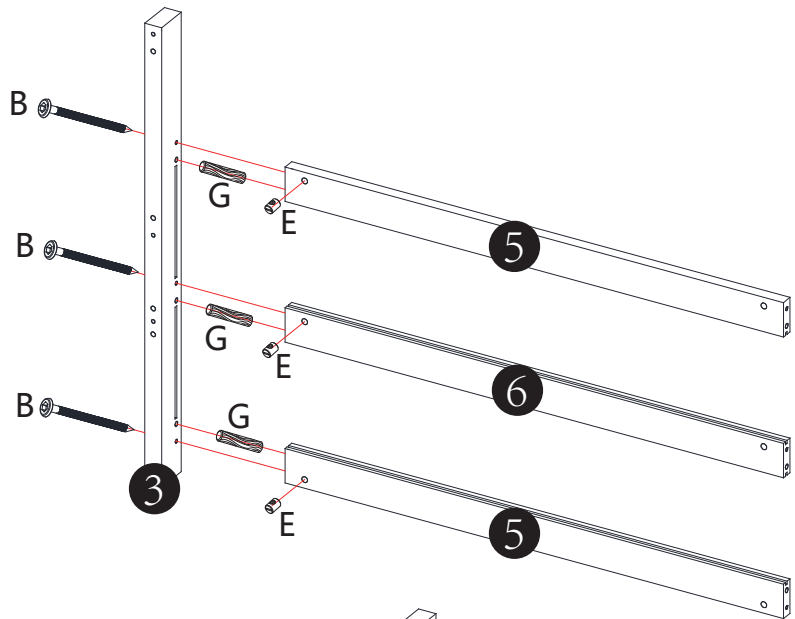
SCHRITT 1 :

I	E	B	G
			
1PC	6PCS	6PCS	6PCS






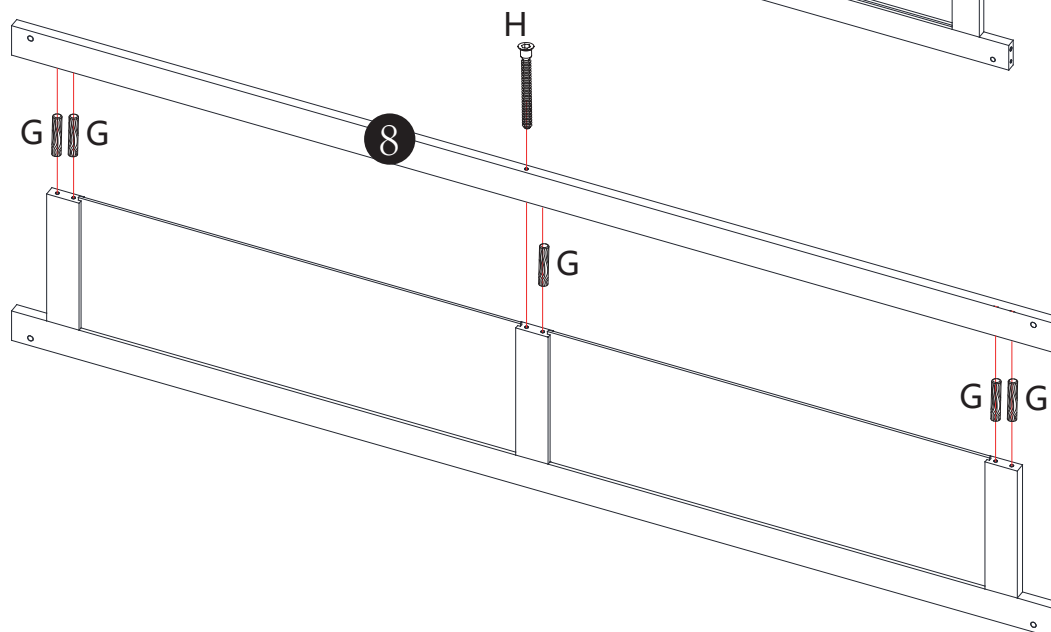
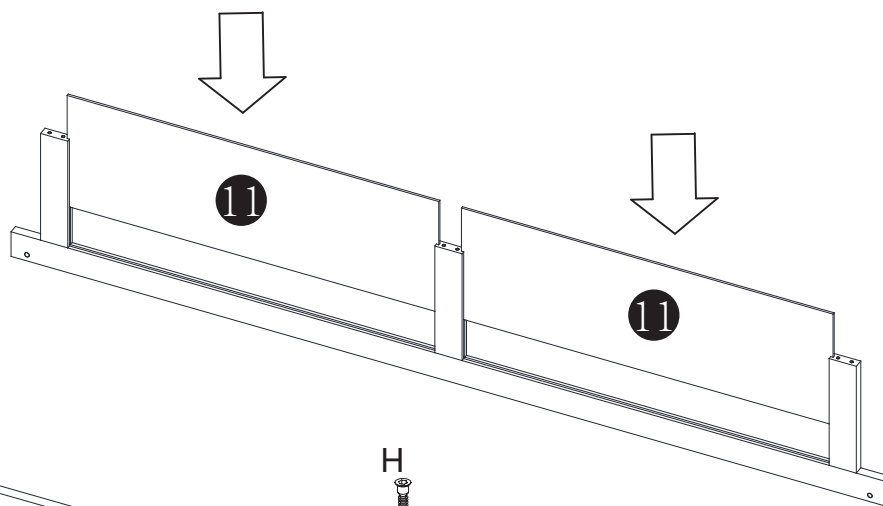
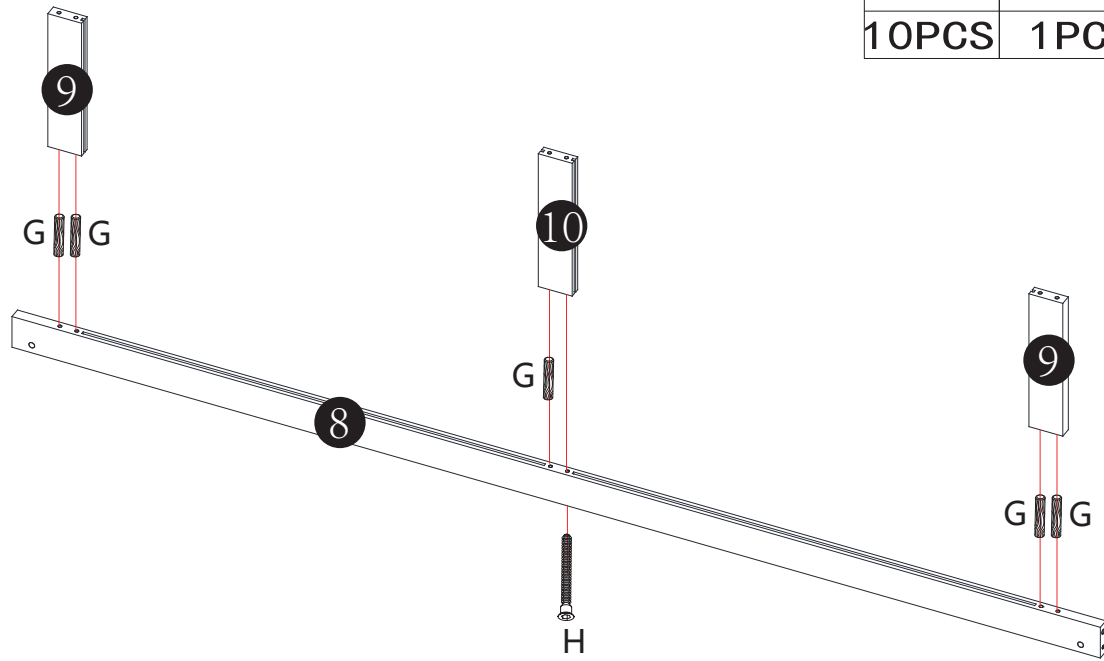
SCHRITT 2 :

I	E	B	G
			
1 PC	6 PCS	6 PCS	6 PCS



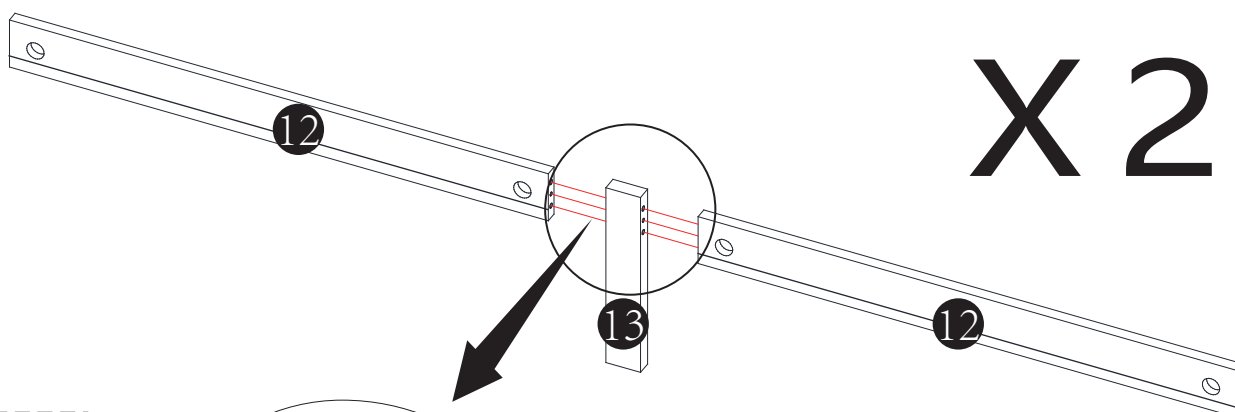
SCHRITT 3 :

G	I	H
		
10PCS	1PC	2PCS

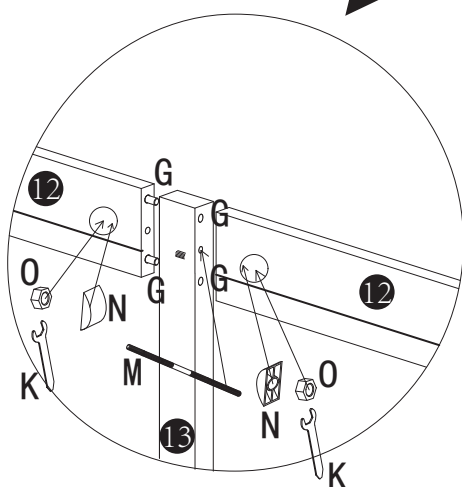
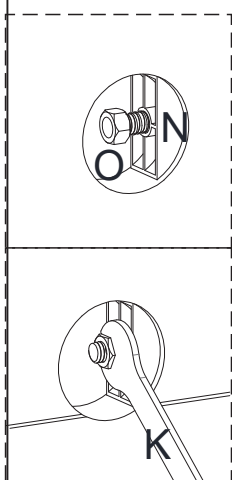


SCHRITT 4 :

G	M	N	O	K
8PCS	2PCS	4PCS	4PCS	2PCS



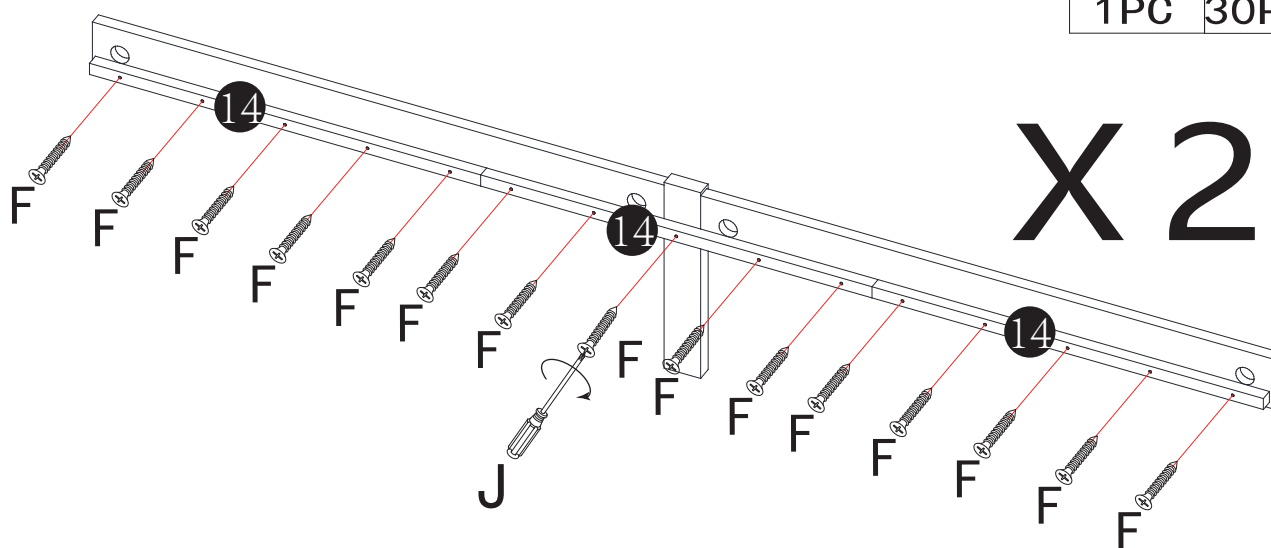
X2



Take note of the difference between the inner and outer sides of board No.13. When fully assembled, the inner side of board No.13 should be flush with No.12 .








SCHRITT 5 :

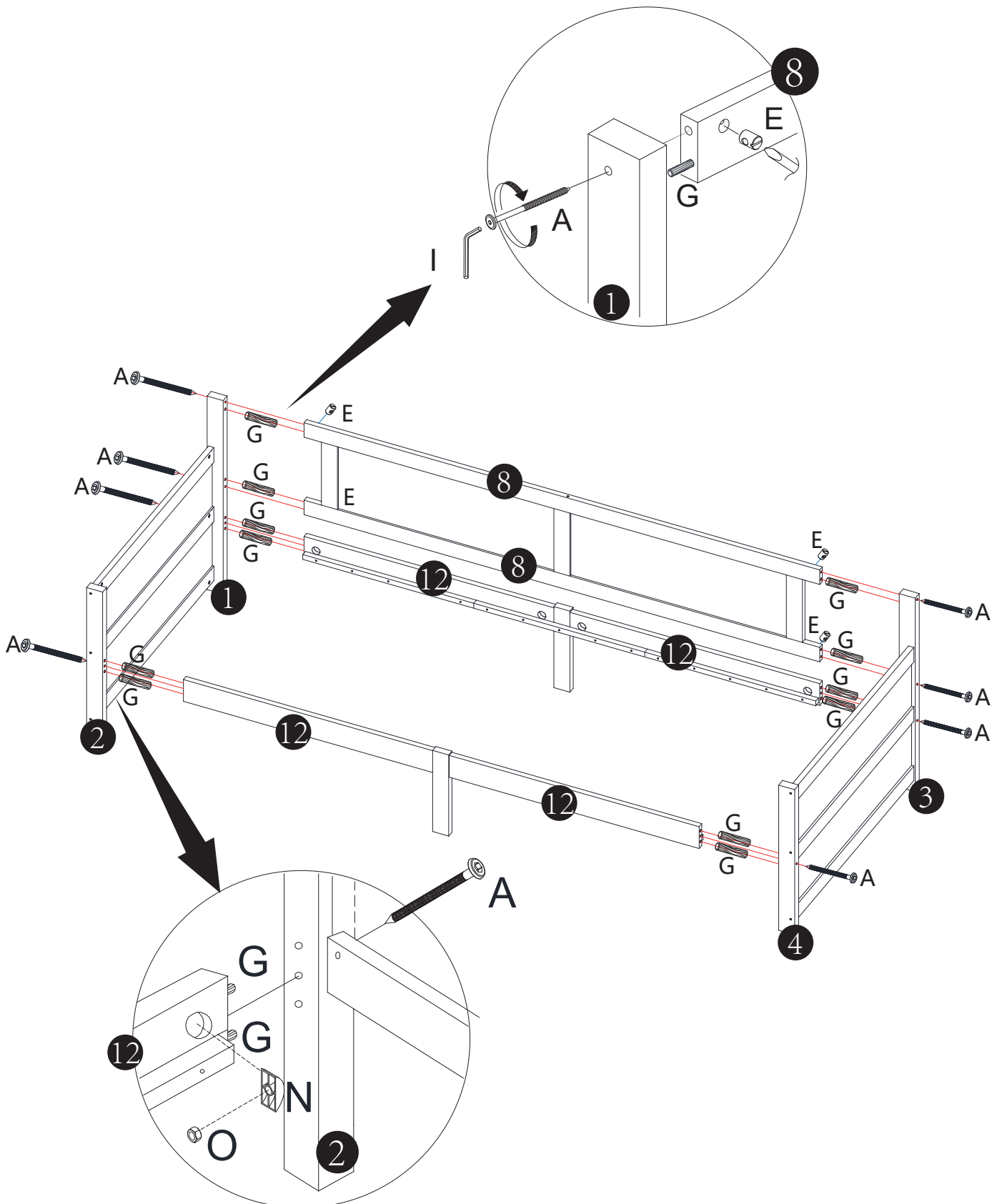
J	F
1PC	30PCS




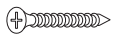
X2

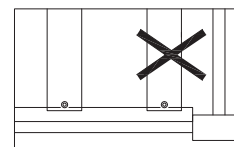
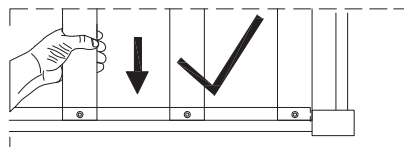
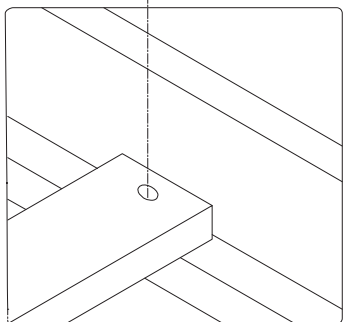
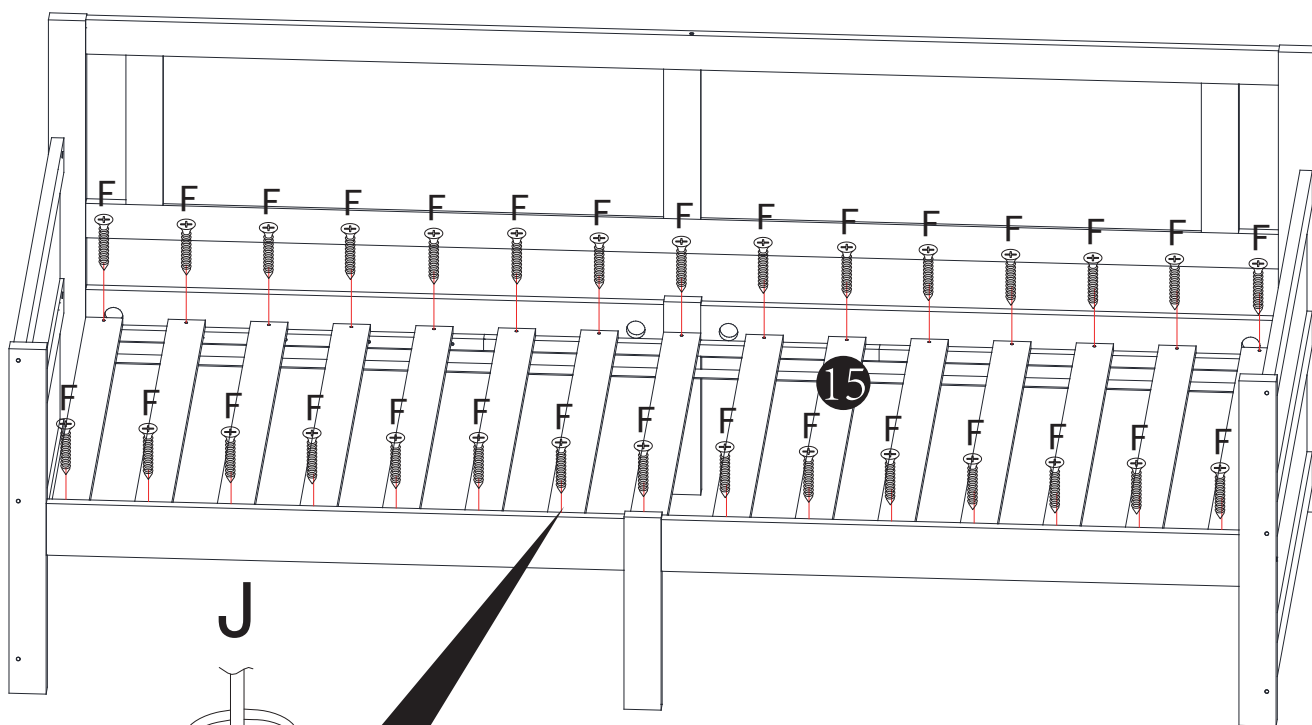
SCHRITT 6 :

K 	E 	A 	G 	I 	N 	O 
1PC	4PCS	8PCS	12PCS	1PC	4PCS	4PCS










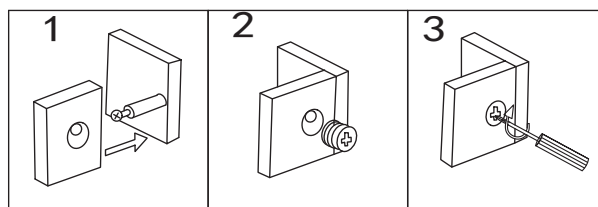
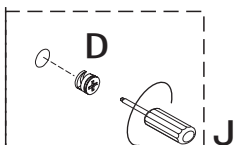
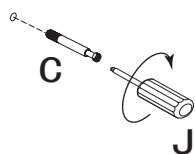
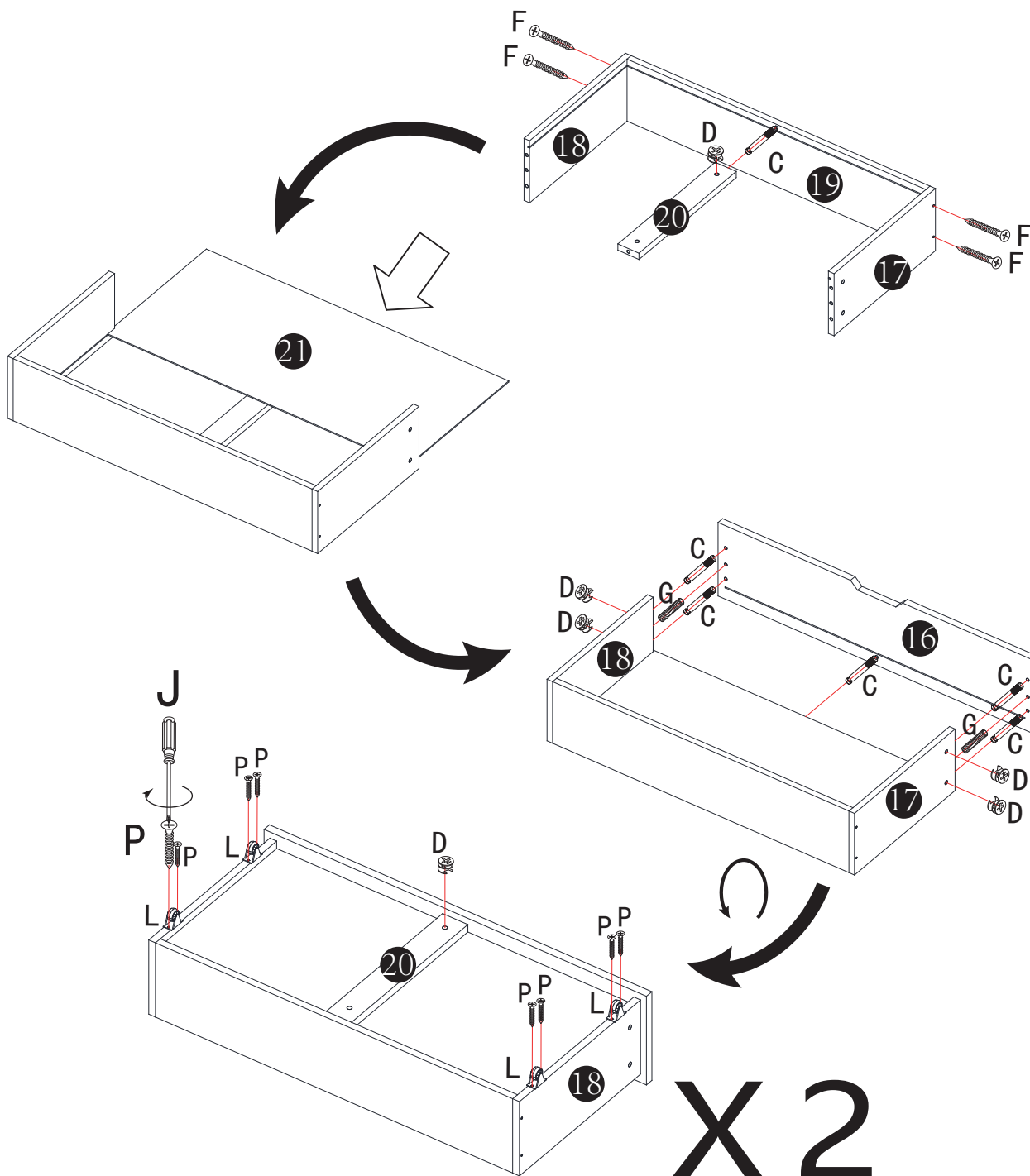
SCHRITT 7 :

J	F
	
1PC	30PCS



SCHRITT 8 :

J	L	D	C	G	P	F
						
1PC	8PCS	12PCS	12PCS	4PCS	16PCS	8PCS



SCHRITT 9 :

