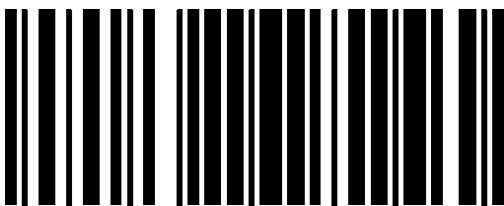
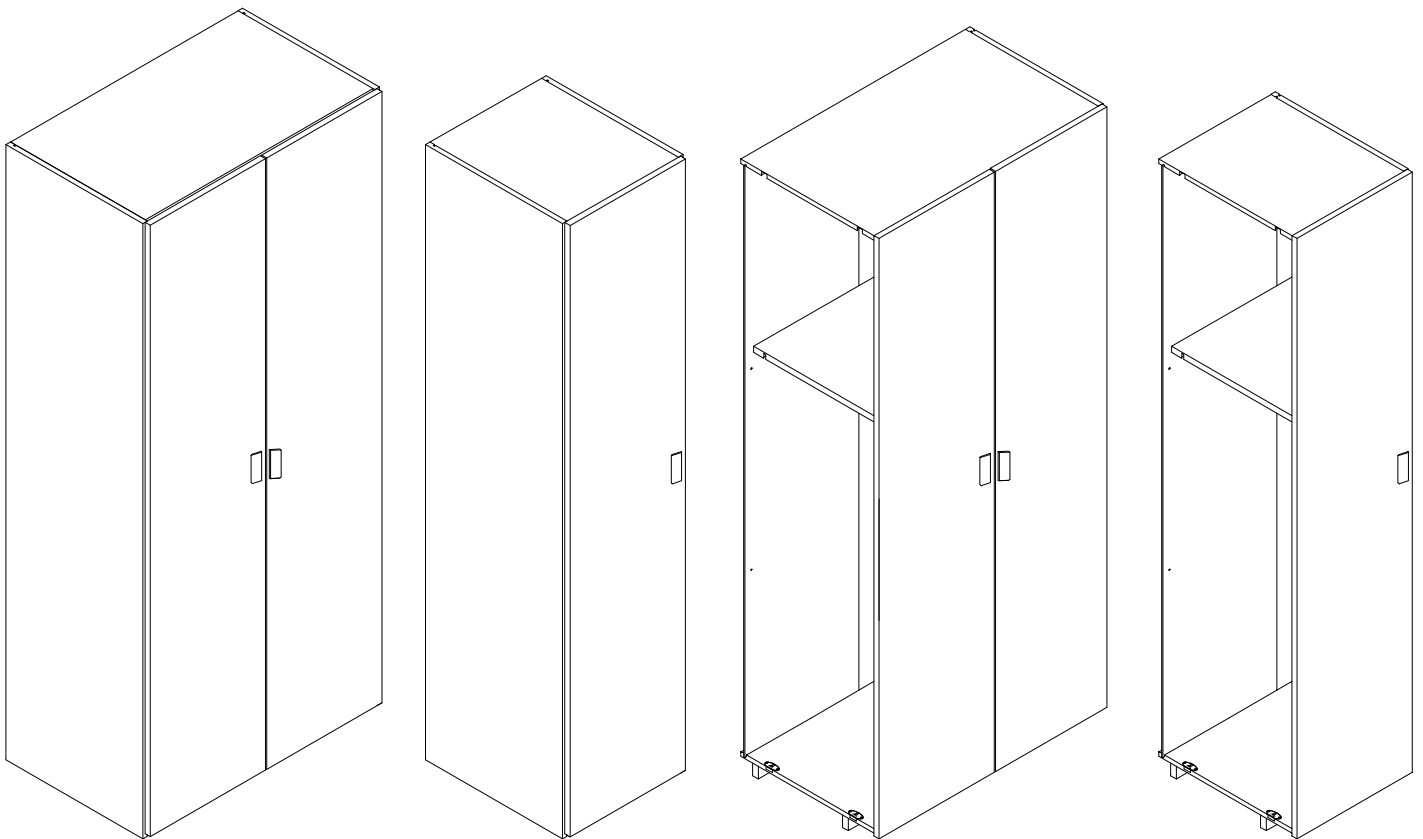


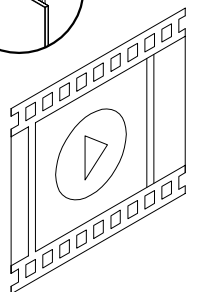
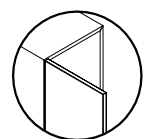
now basic

now! basic
by hülsta









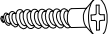


1772534




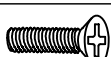
hülsta-werke · Karl-Hüls-Straße 1 · 48703 Stadtlohn
TEL +49 2563 86-0 · FAX +49 2563 86-1417
www.huelsta.com 06/2018


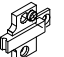



BK Mat. NMT13651135





| | | | |
|------------------|---|-------------|--|
| BB NOW 77 | | Mat. 204612 | |
| 1x |  | | |
| 1x |  | Ø8 mm | |
| 1x |  | 4x15 | |
| 1x |  | 4x60 | |



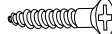


| | | | |
|---------------|---|------------|--|
| BB 637 | | Mat. 64237 | |
| 2x |  | | |
| 8x |  | | |
| 12x |  | 4x15 | |
| 4x |  | 4x17 | |
| 8x |  | | |

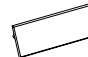


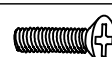
| | | | |
|----------------|---|-------------|--|
| BB 1852 | | Mat.1316132 | |
| 1x |  | | |
| 2x |  | 4x30 | |
| 2x |  | 4x28 | |
| 2x |  | 4x23 | |


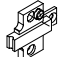

| | | | |
|----------------|---|--------------|--|
| BB 2804 | | Mat. 1766688 | |
| 4x |  | 4x17 | |
| <hr/> | | | |
| 8x |  | | |
| 8x |  | | |

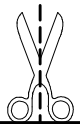
BK Mat. NMT1361133

| | | | |
|------------------|---|-------------|--|
| BB NOW 77 | | Mat. 204612 | |
| 1x |  | | |
| 1x |  | Ø8 mm | |
| 1x |  | 4x15 | |
| 1x |  | 4x60 | |

| | | | |
|---------------|---|------------|--|
| BB 637 | | Mat. 64237 | |
| 2x |  | | |
| 8x |  | | |
| 12x |  | 4x15 | |
| 4x |  | 4x17 | |
| 8x |  | | |

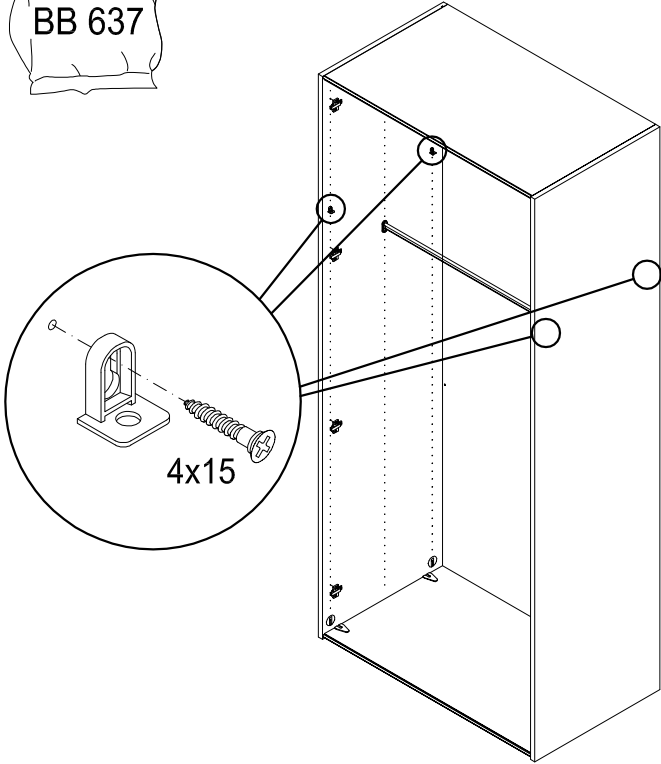
| | | | |
|----------------|---|-------------|--|
| BB 1852 | | Mat.1316132 | |
| 1x |  | | |
| 2x |  | 4x30 | |
| 2x |  | 4x28 | |
| 2x |  | 4x23 | |

| | | | |
|----------------|---|--------------|--|
| BB 2804 | | Mat. 1766688 | |
| 4x |  | 4x17 | |
| <hr/> | | | |
| 8x |  | | |
| 8x |  | | |



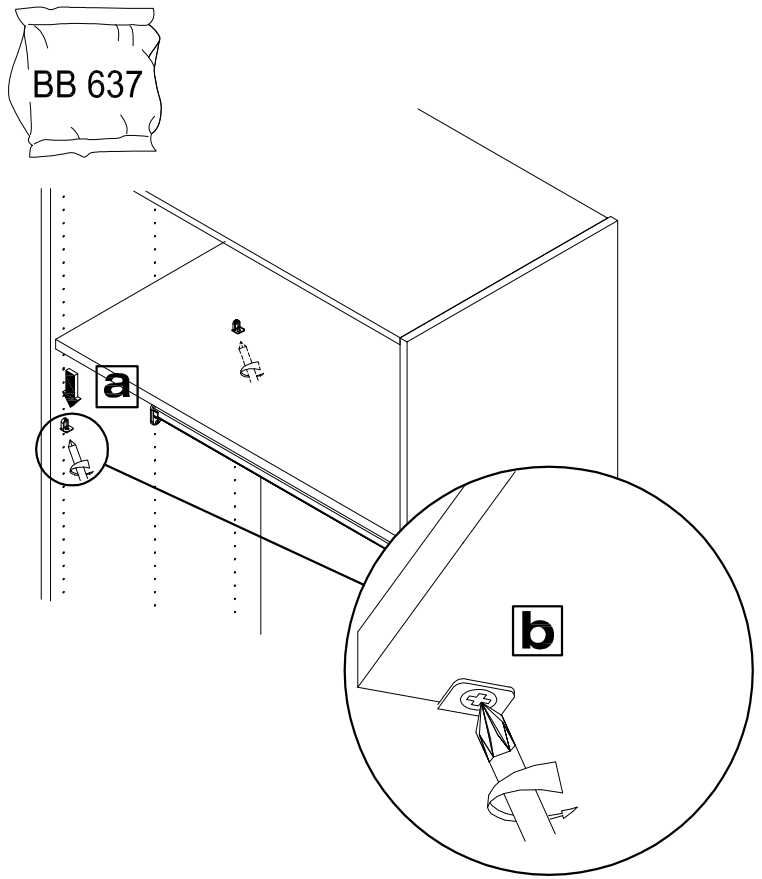
2

BB 637



3

BB 637



4

BB 2804

