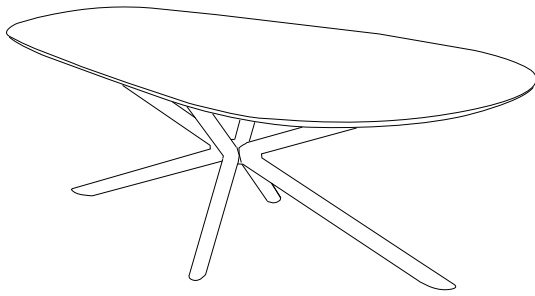

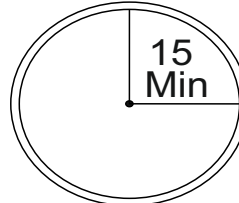
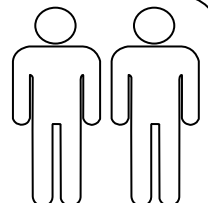


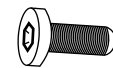

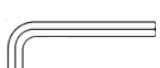
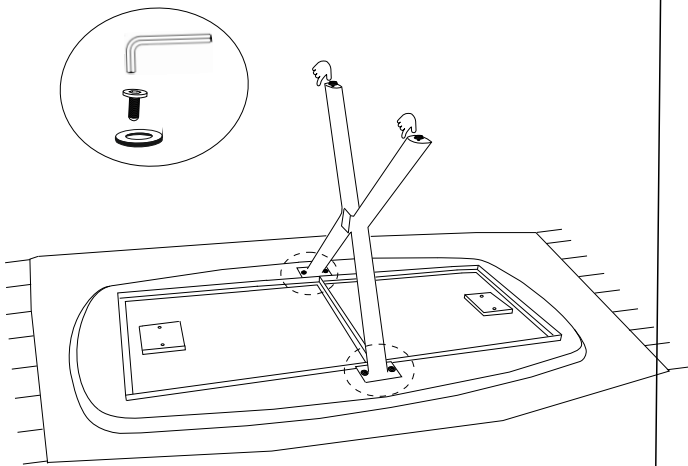


# Art. No.71374-206

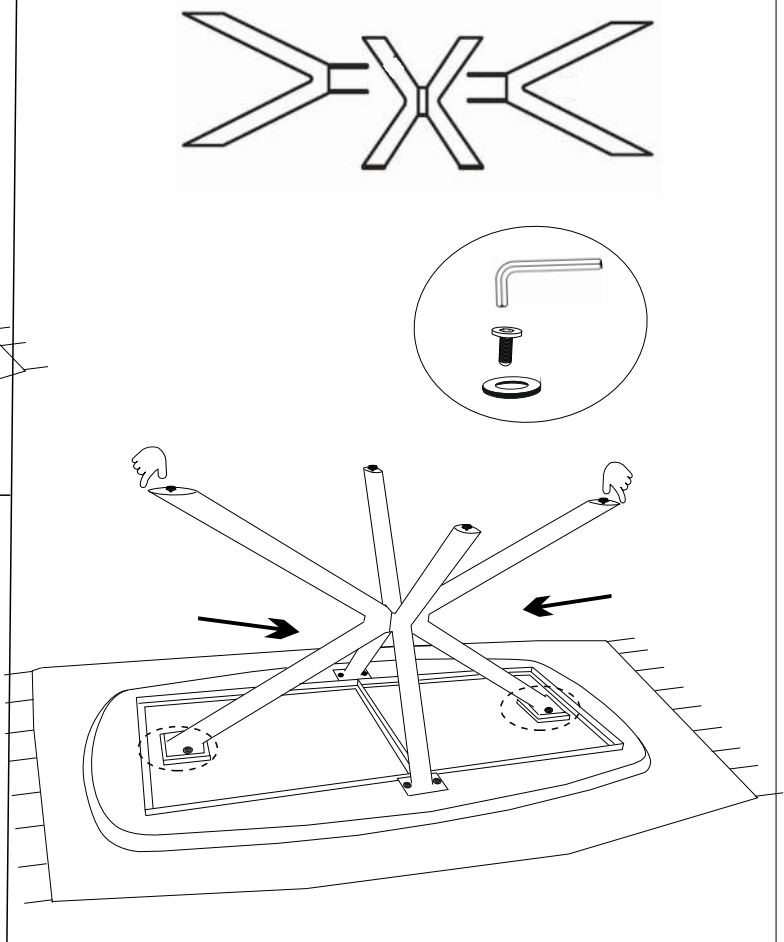


	x1			
	x2			
	x1			
		( 8x20mm )	( 8x25mm )	( 5mm )
		( 10 Pcs. )	( 10 Pcs. )	( 1Pcs. )

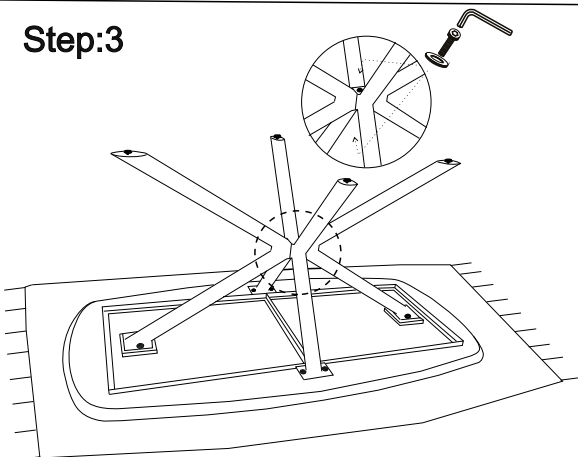
## Step:1



## Step:2

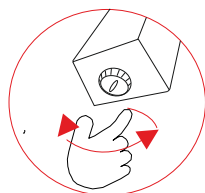


## Step:3



## Assembled Product

Leveler



ADJUSTABLE  
SLIDING NAILS

