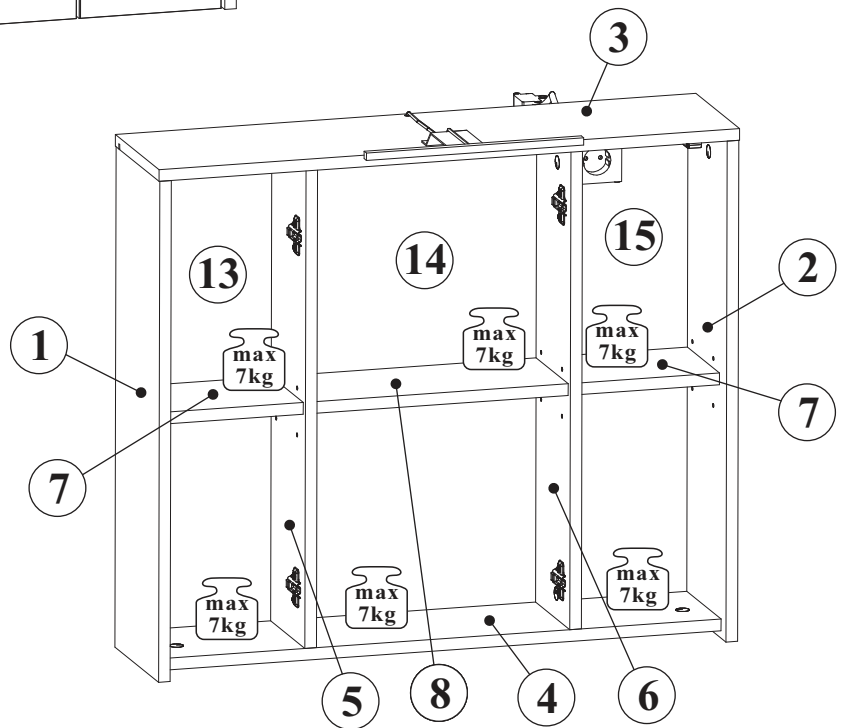
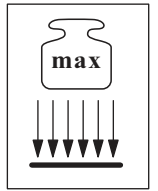
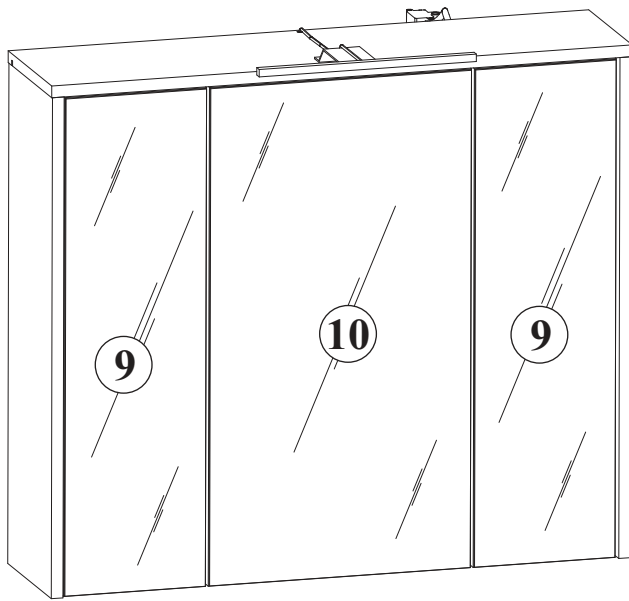
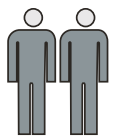


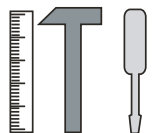
LEONE 54-032-__-6

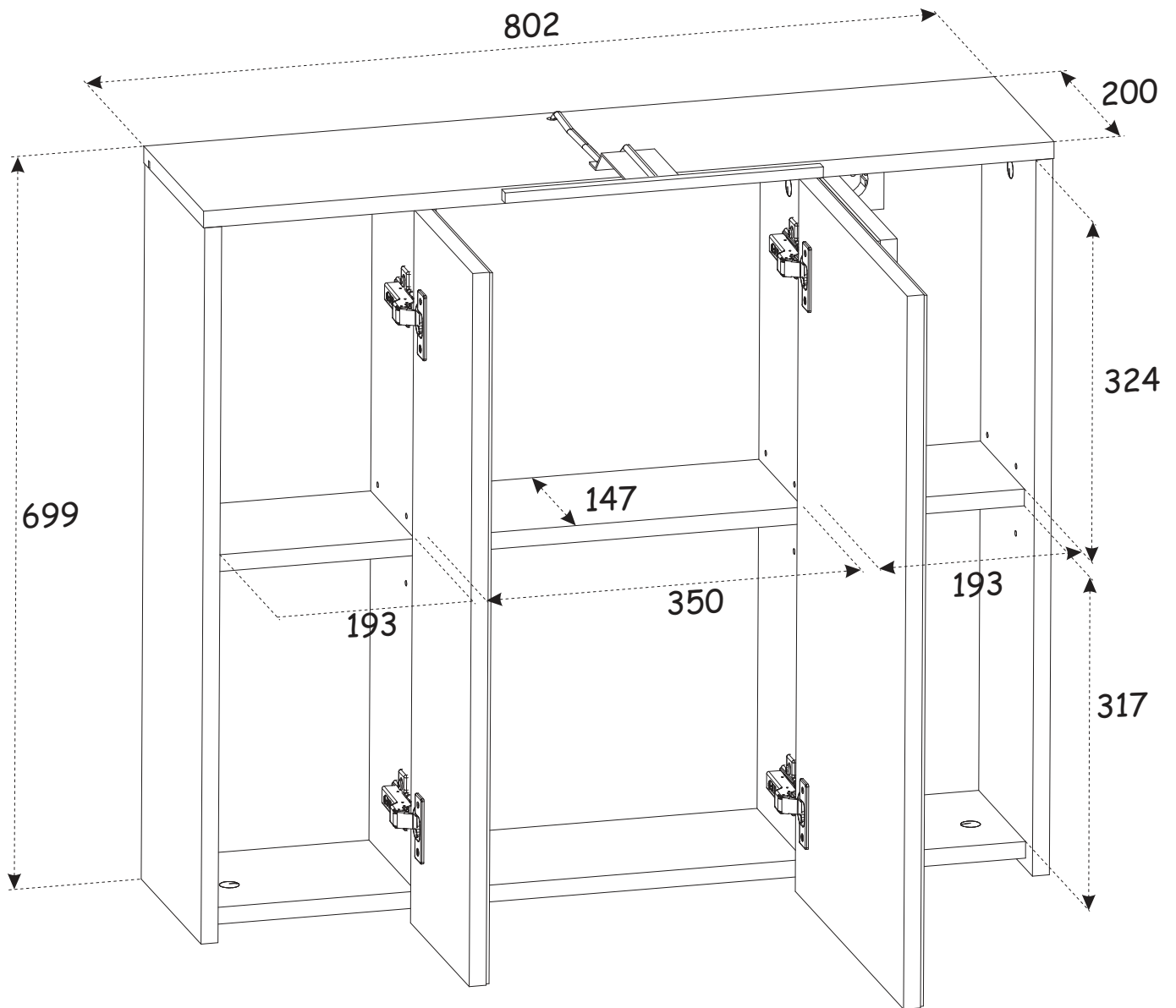


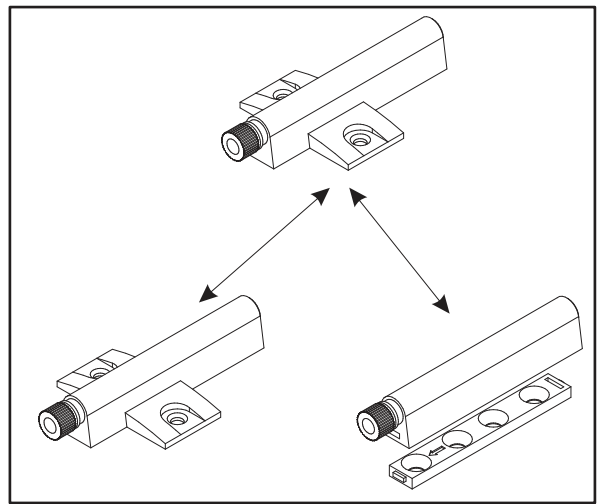
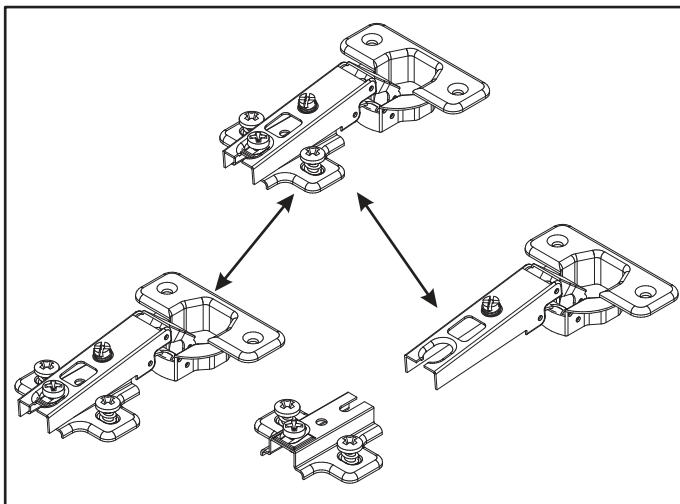
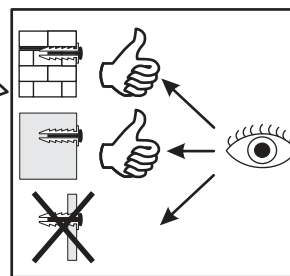
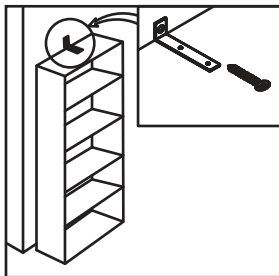
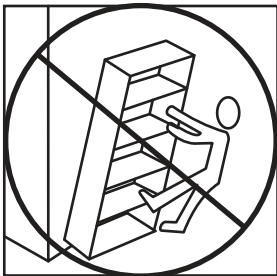
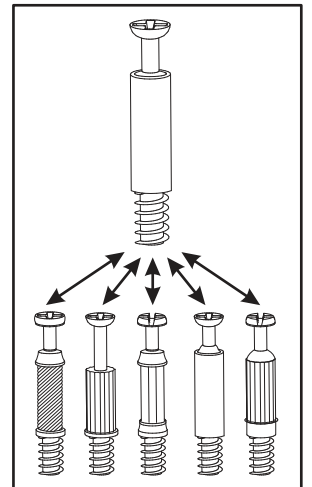
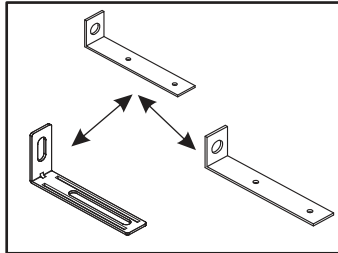
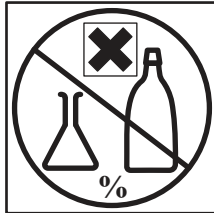
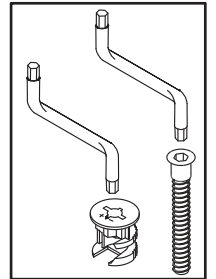
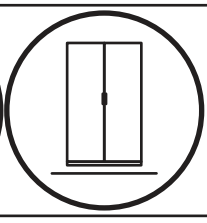
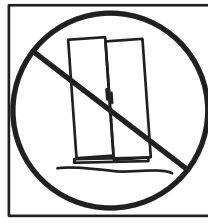
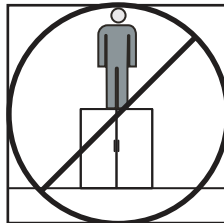
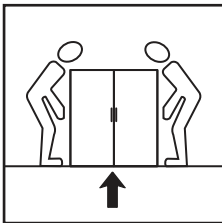
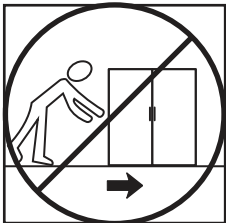
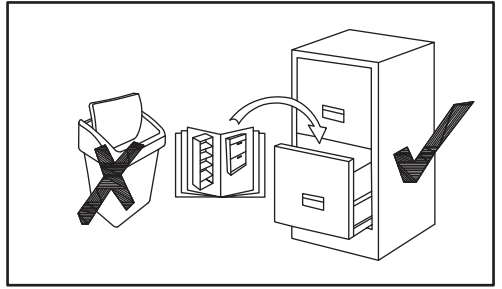
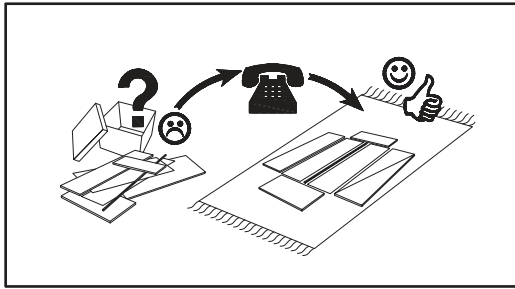
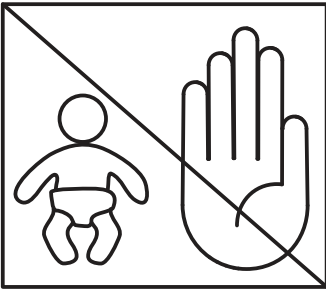
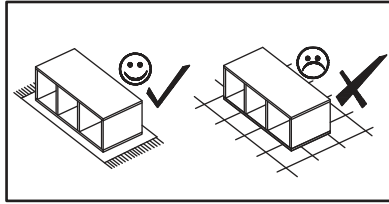
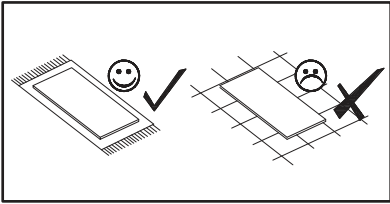
NO	Dim.[mm]			Col.-No	Qty
1	683	200	16	1	1
2	683	200	16	1	1
3	802	200	16	1	1
4	768	177	16	1	1
5	657	157	16	1	1
6	657	157	16	1	1
7	193	147	16	1	2
8	350	147	16	1	1
9	680	196	16	1	2
10	680	362	16	1	1
13	669	207	3	1	1
14	669	366	3	1	1
15	669	207	3	1	1



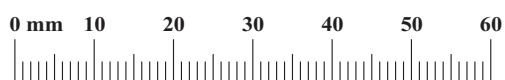
180 min



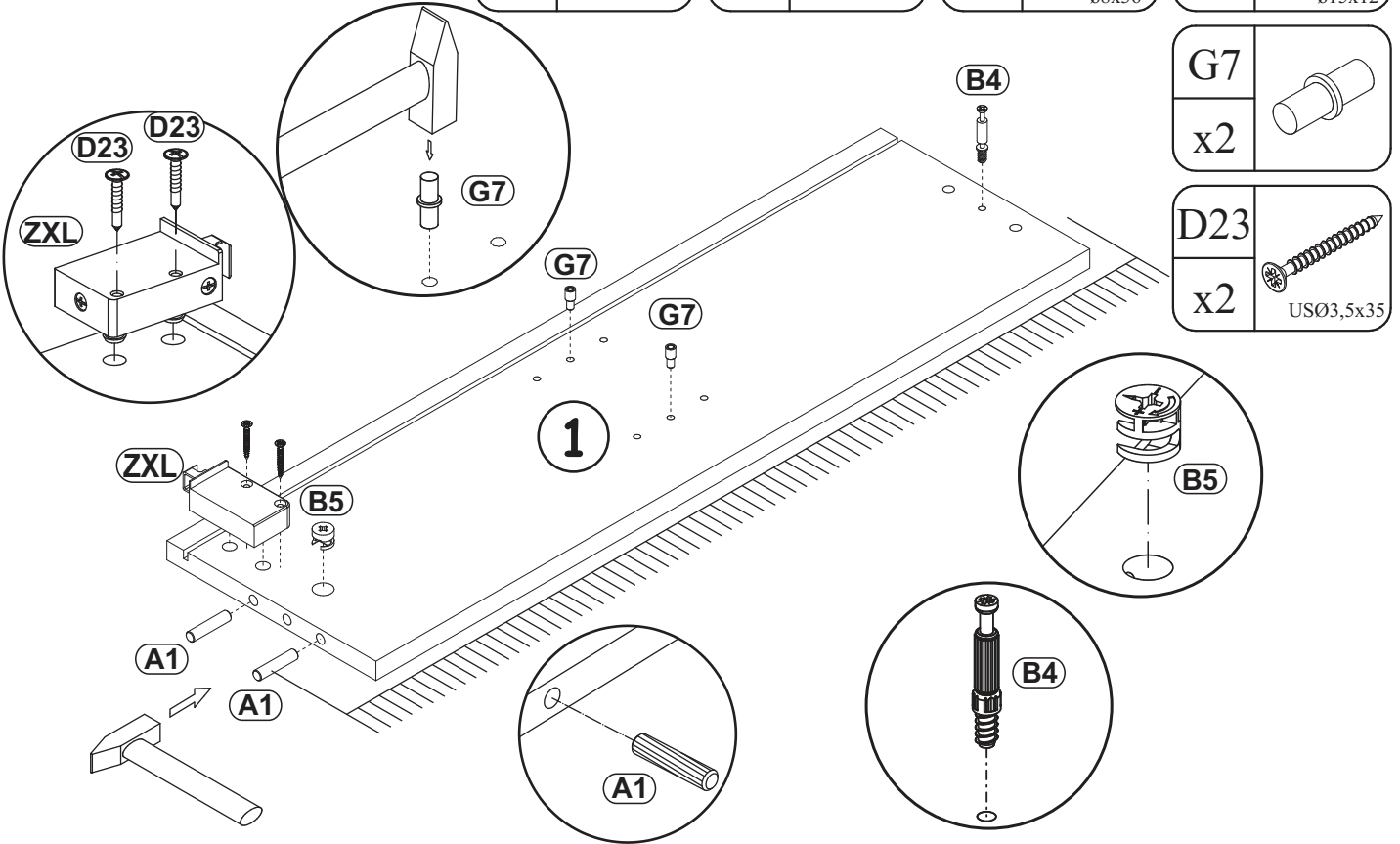
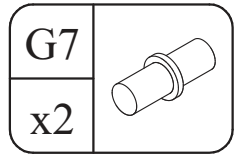
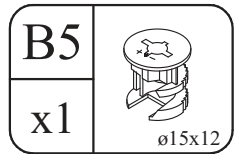
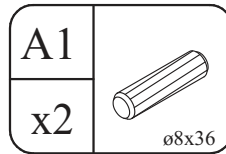
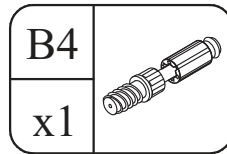
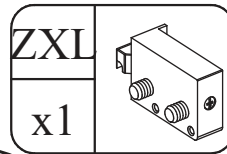




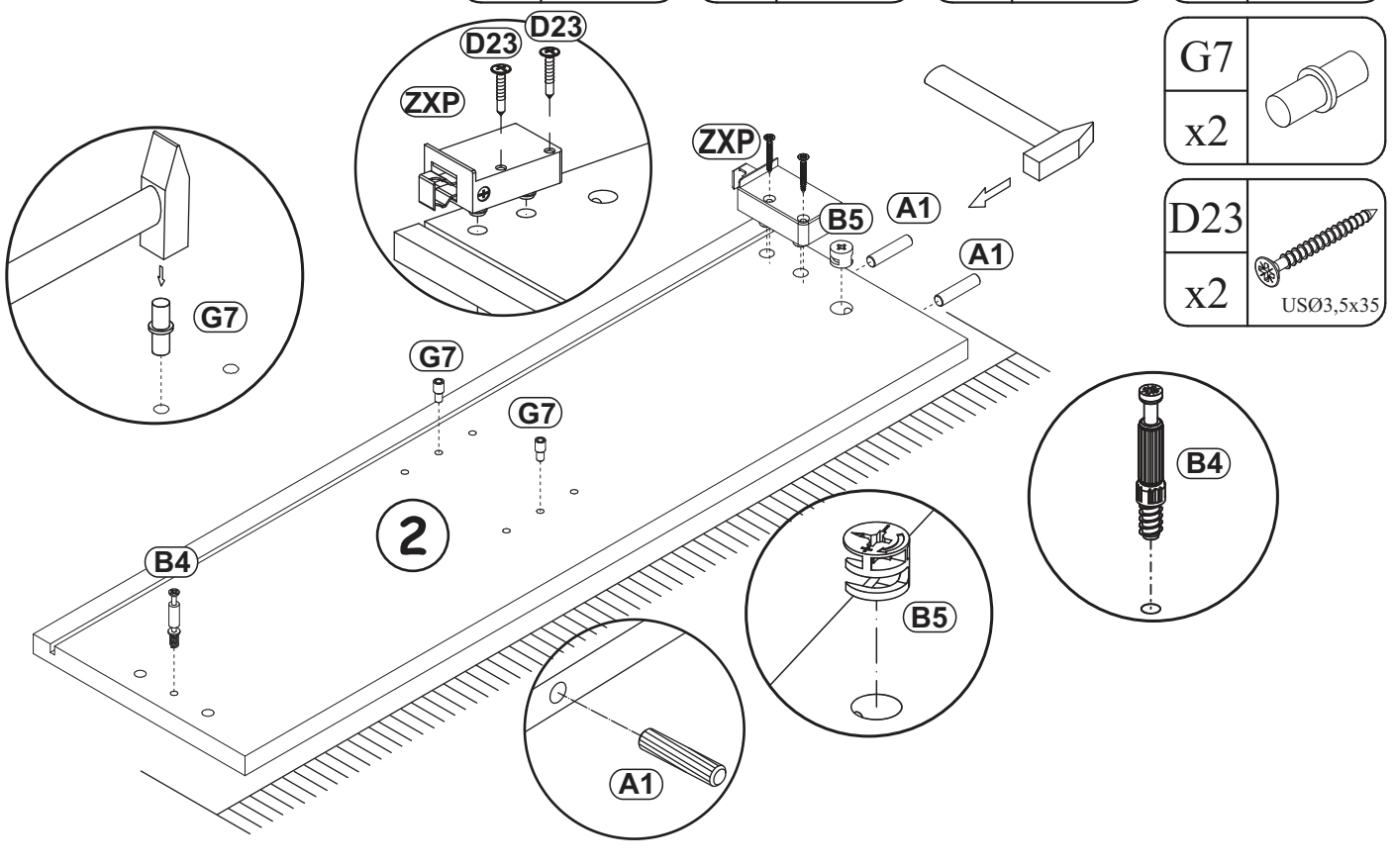
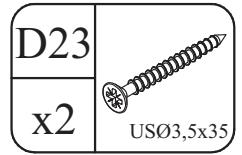
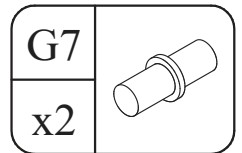
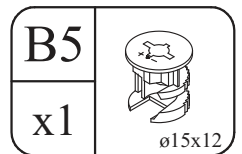
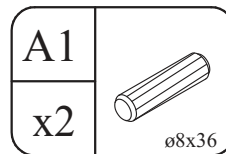
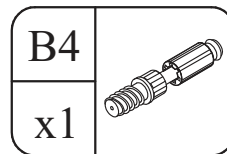
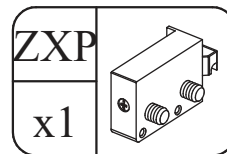
A1 x16 ø8x36	B4 x8	B5 x8 ø15x12	G5 x8	ZXL x1	ZXP x1
OS5 x1	E9 x6 Ø35 H=8	E8 x6 H=2	S1 x14	D10 x12 USØ3,5x13	G7 x12
G16 x8	D23 x4 USØ3,5x35	UP13 x10 UPØ3x16	SZ7 x2	KR1 x4	G3 x1 Ø35
G2 x1					



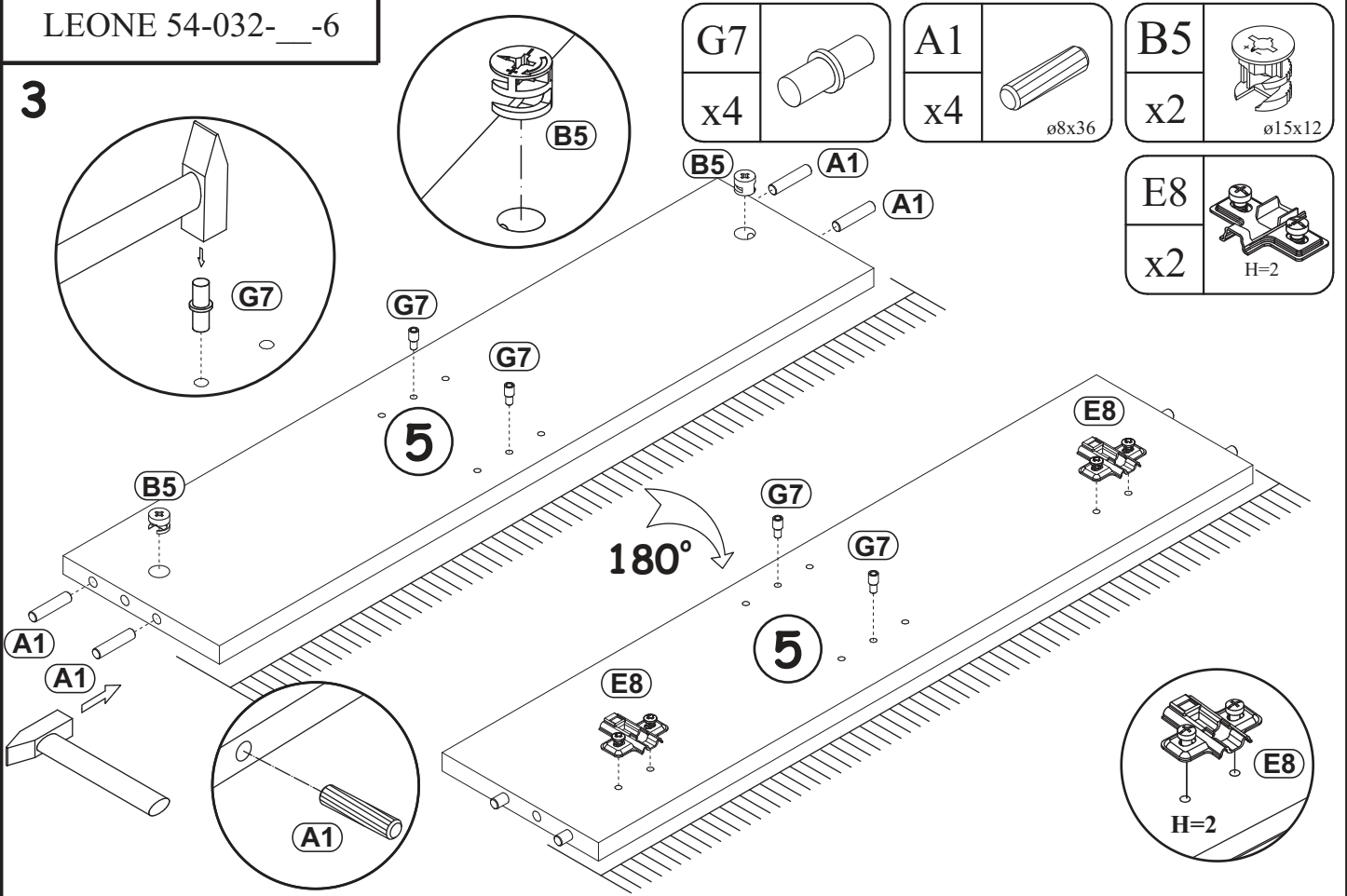
1



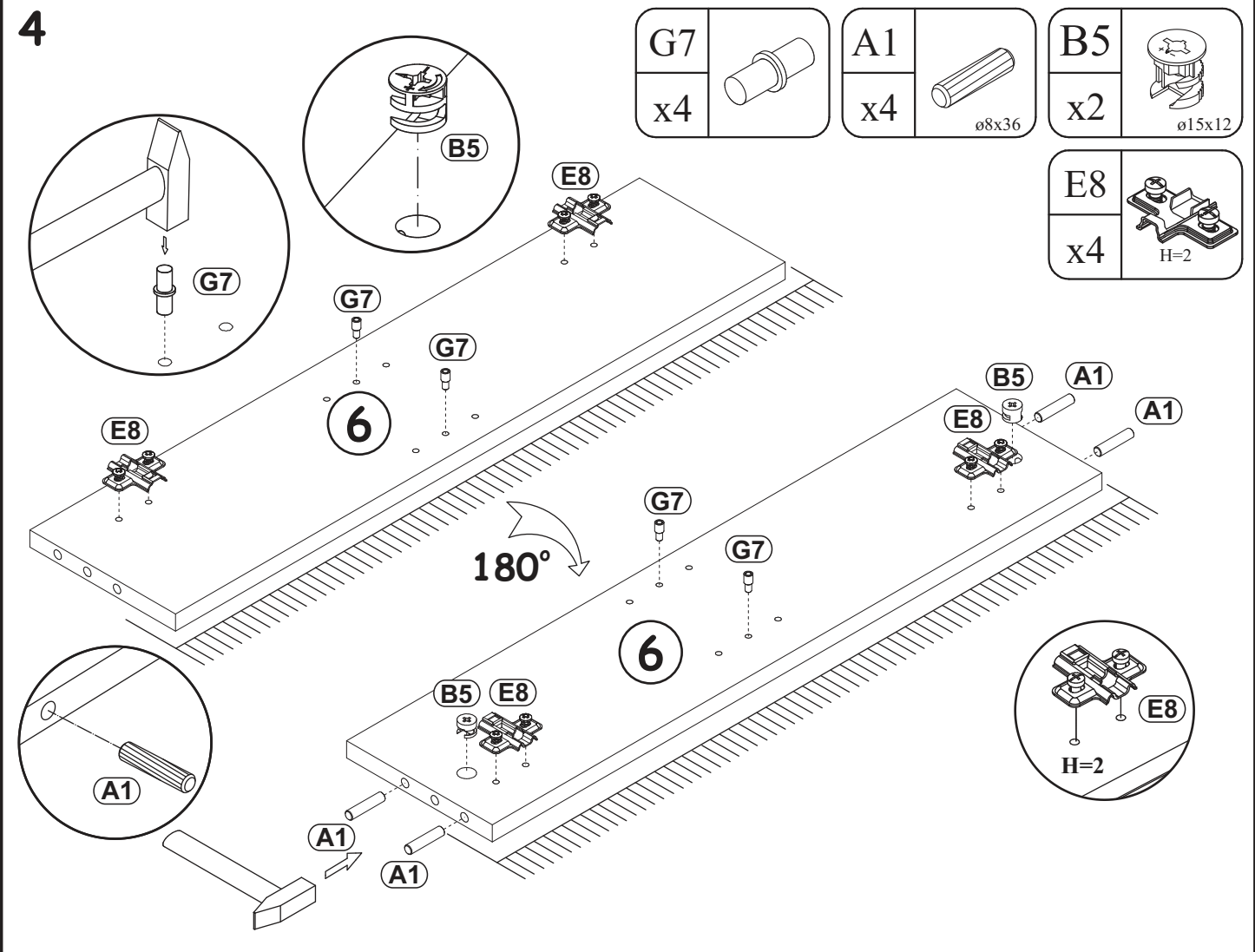
2



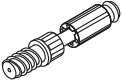
3

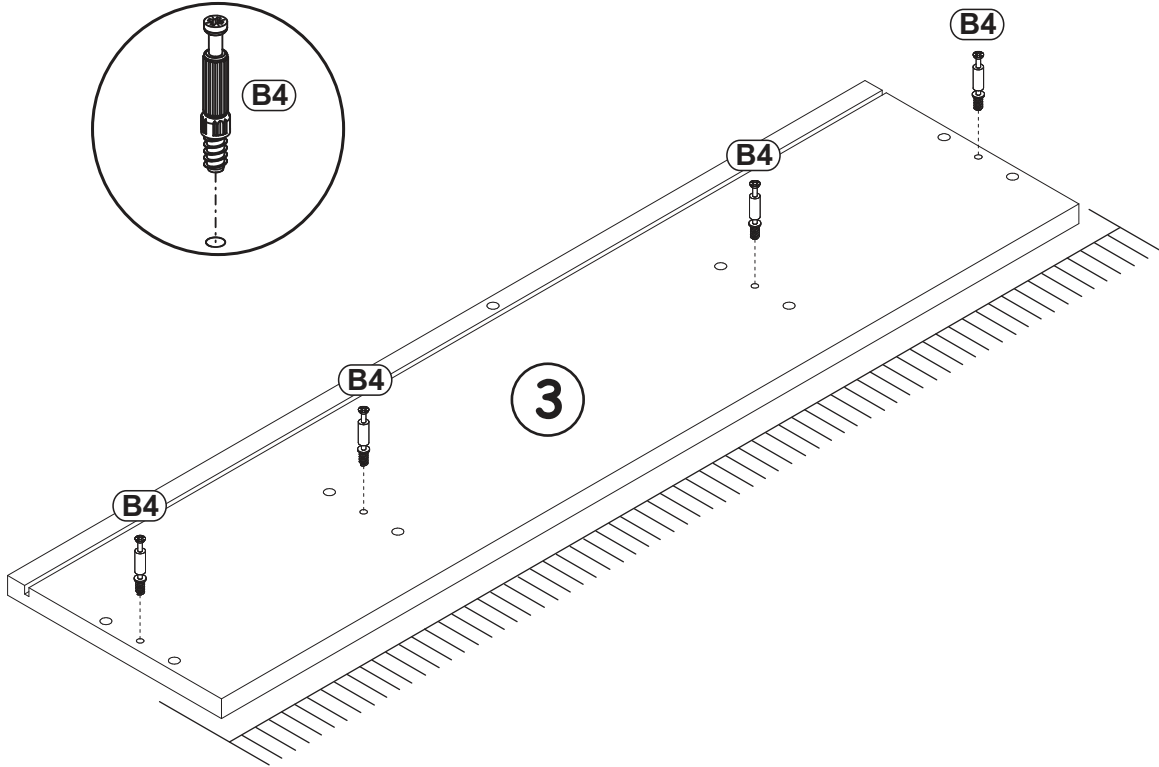


4

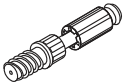



5


B4	
x4	

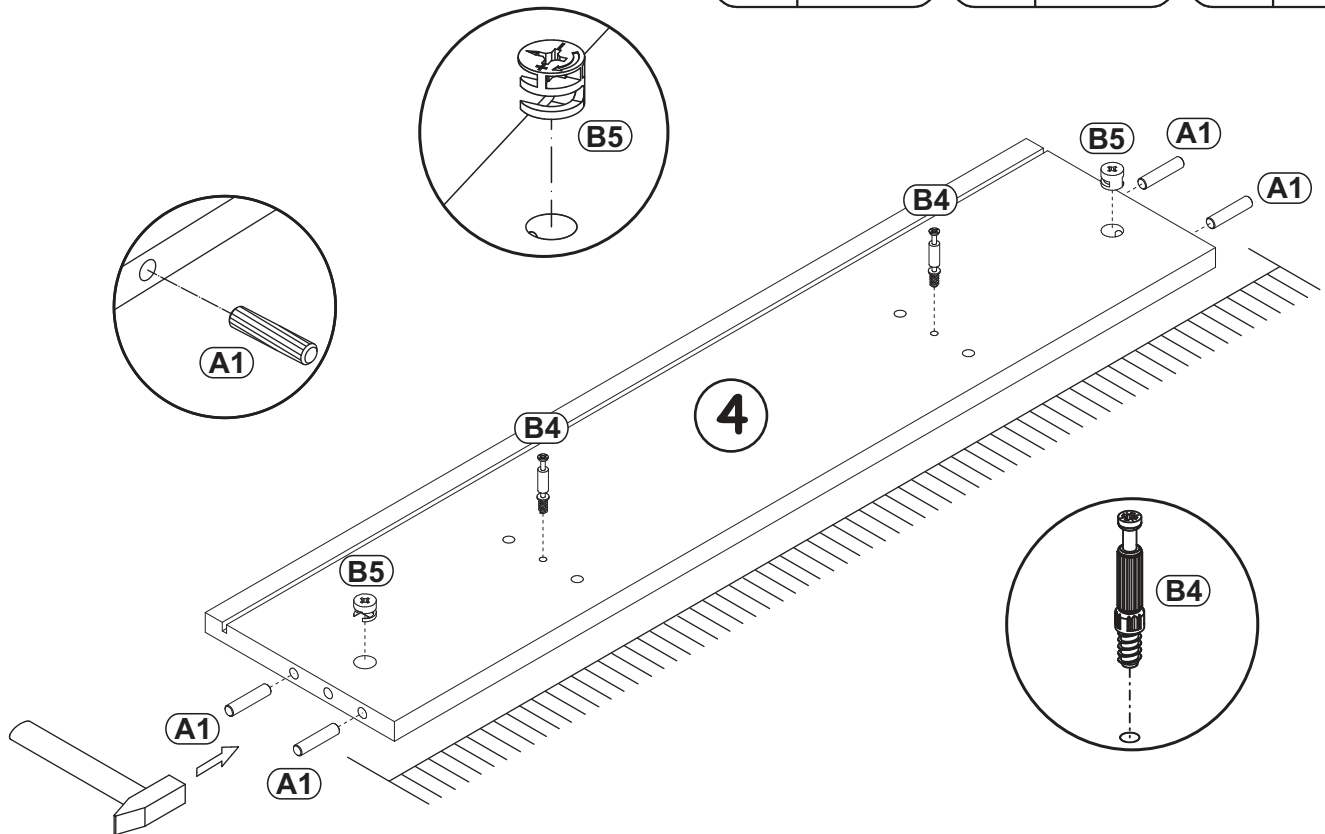


6


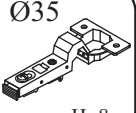
B4	
x2	

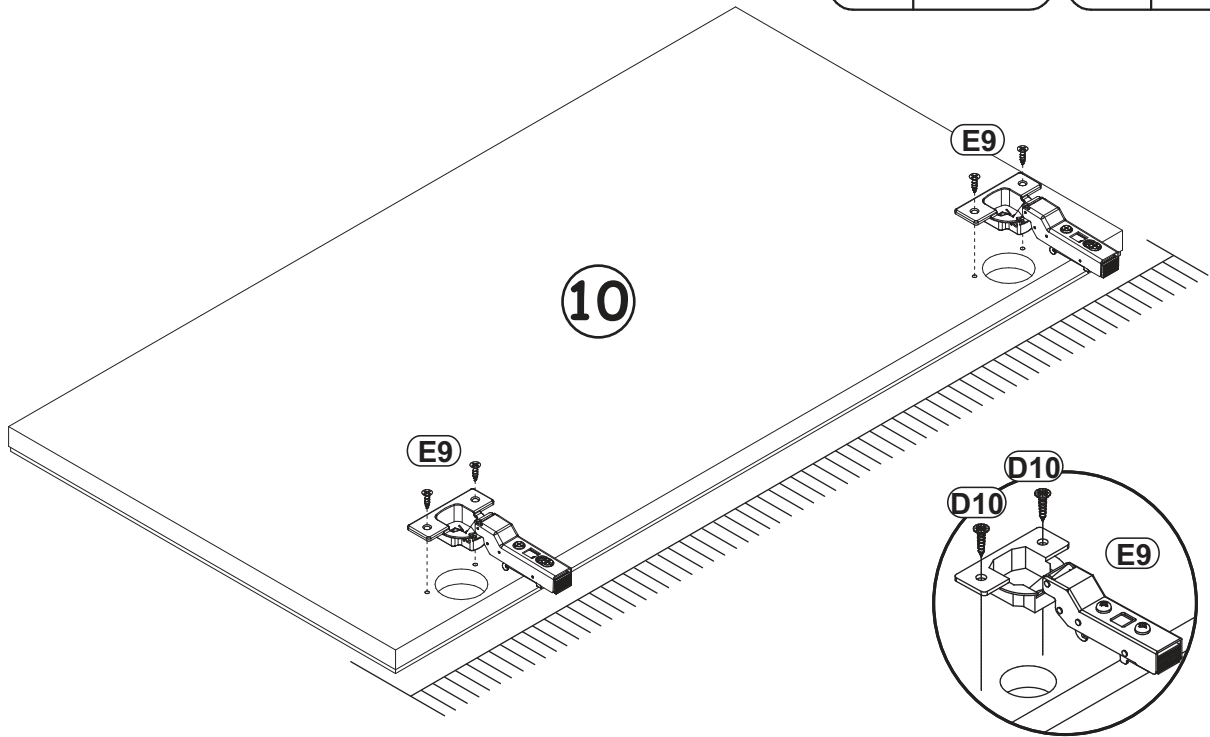
A1	
x4	ø8x36

B5	
x2	ø15x12


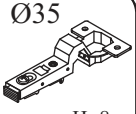


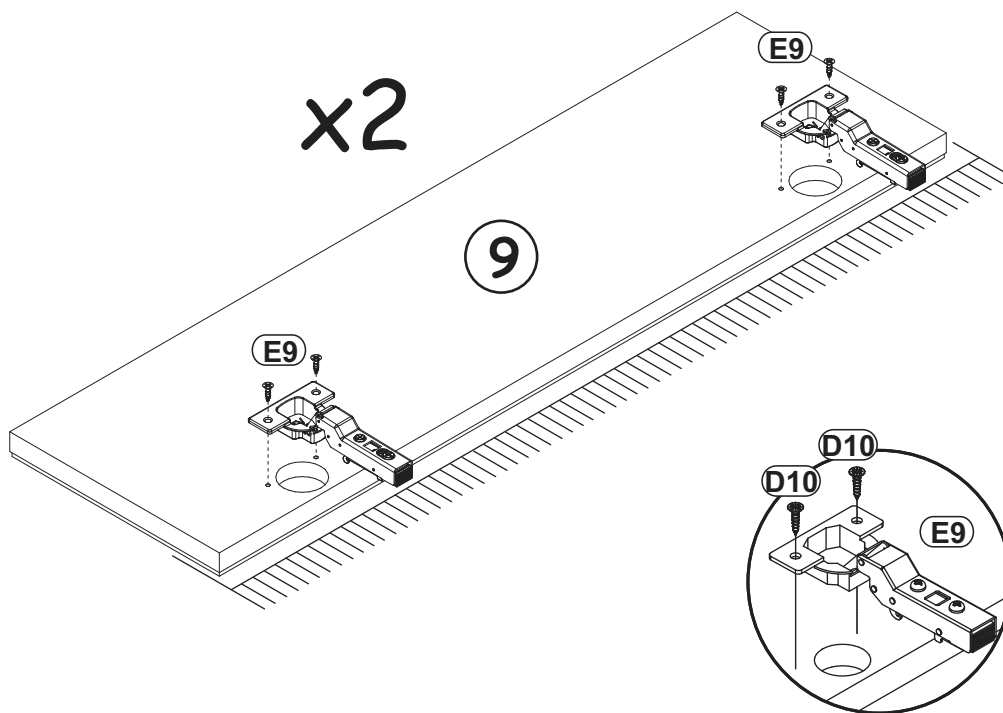
7

D10	 USØ3,5x13	E9	 Ø35 H=8
x4		x2	




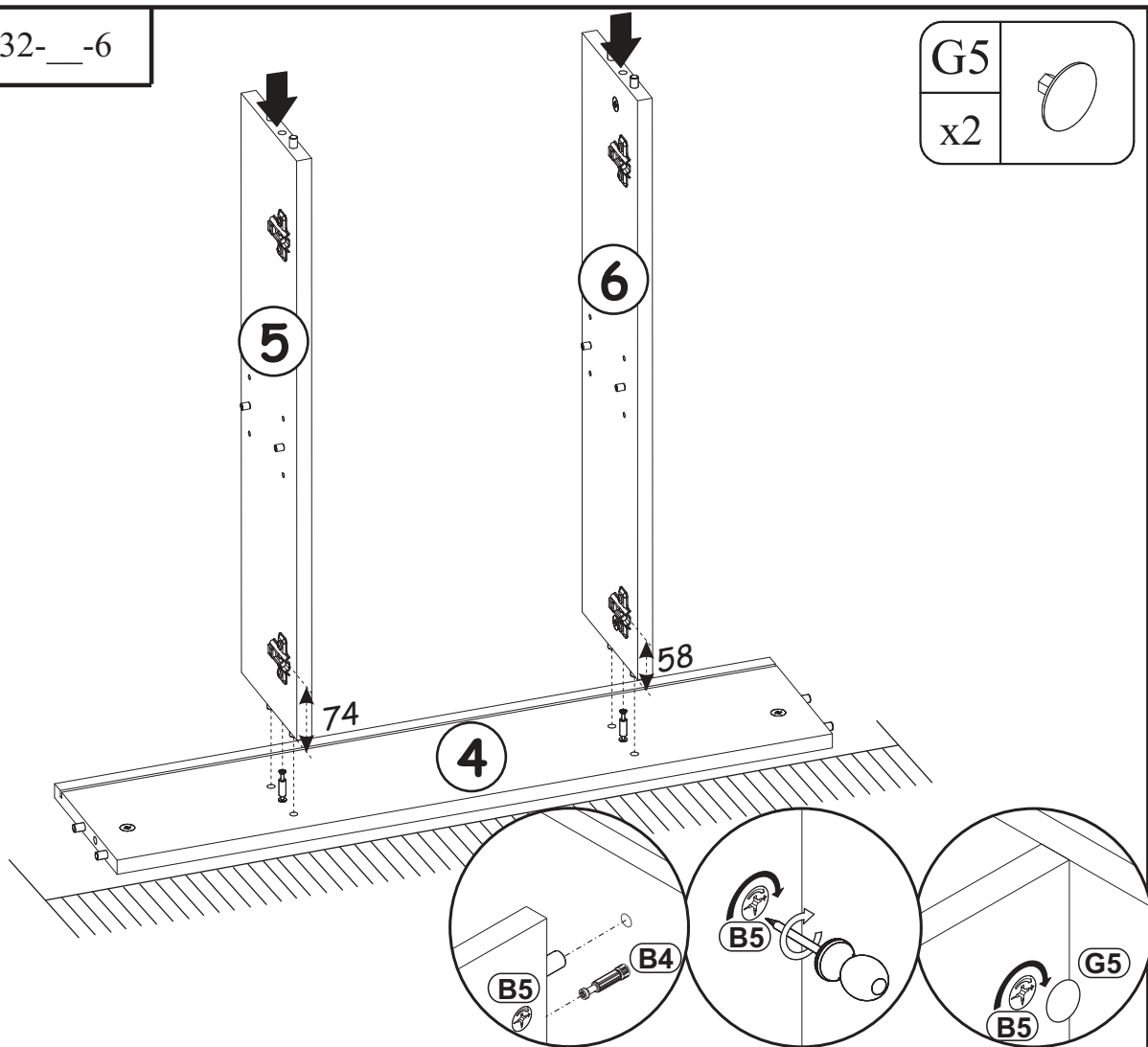
8

D10	 USØ3,5x13	E9	 Ø35 H=8
x8		x4	

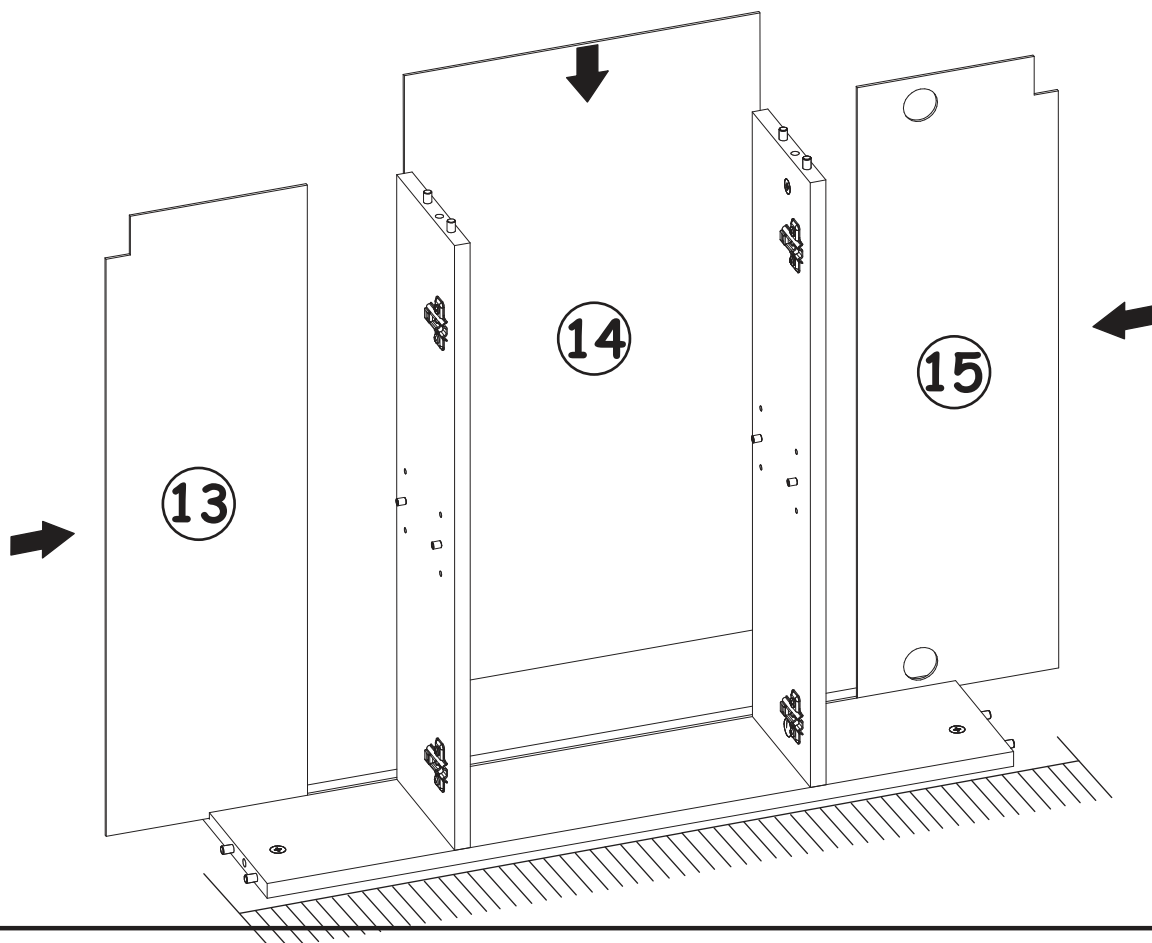


9

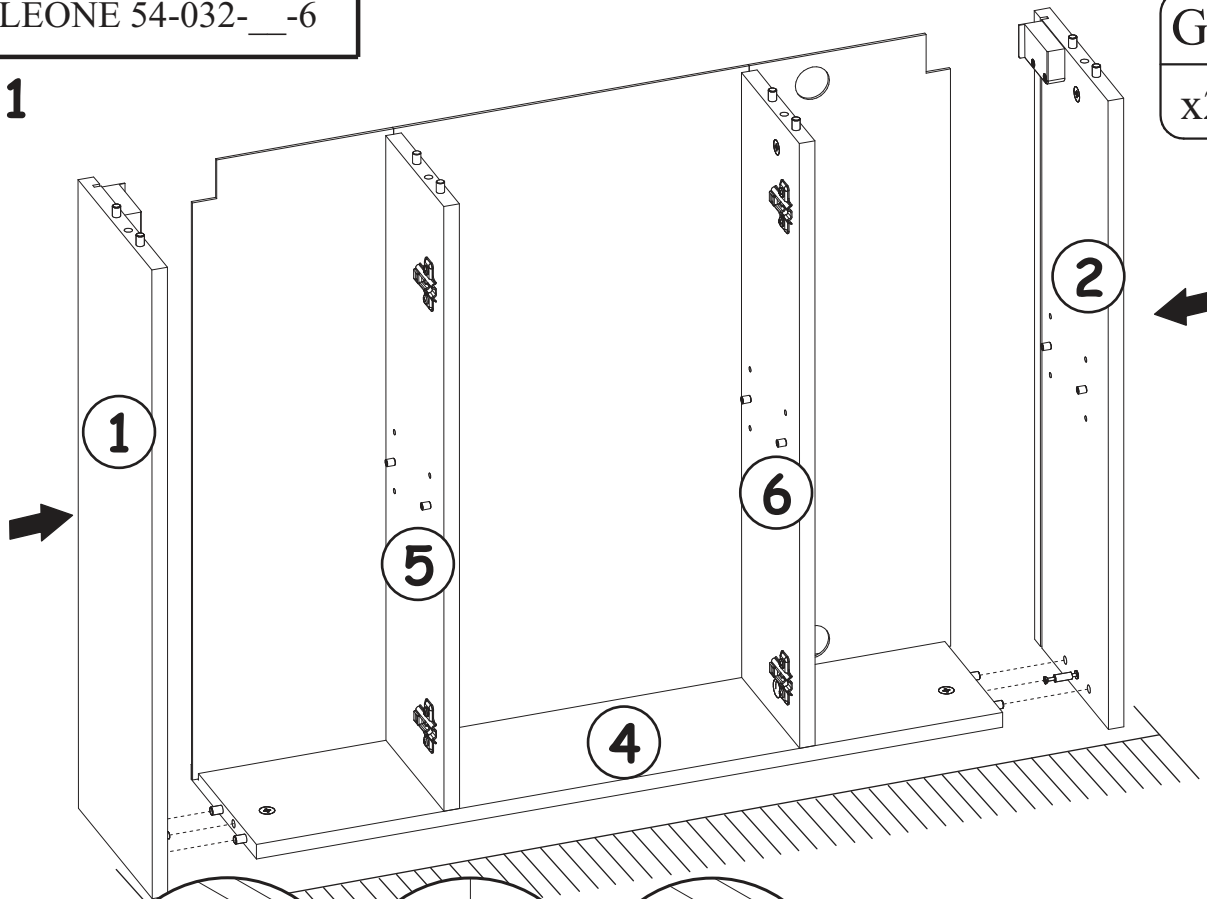
G5	
x2	



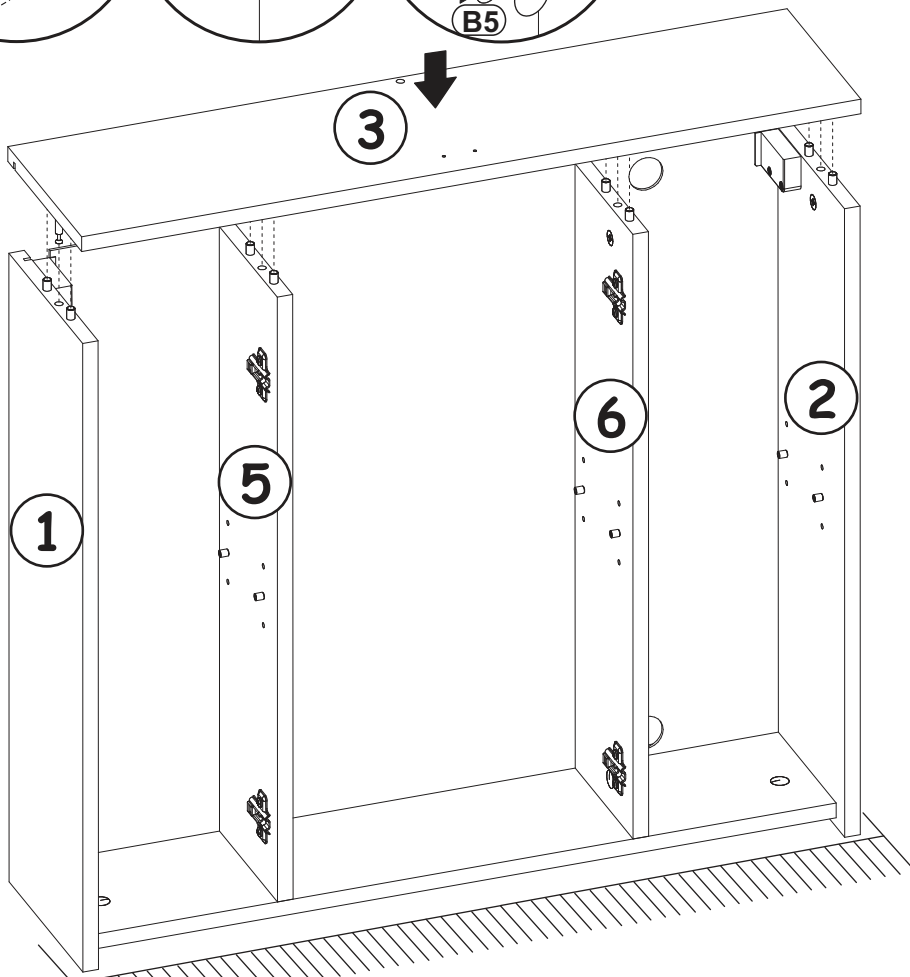
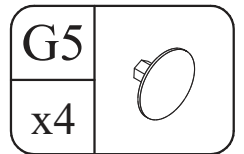
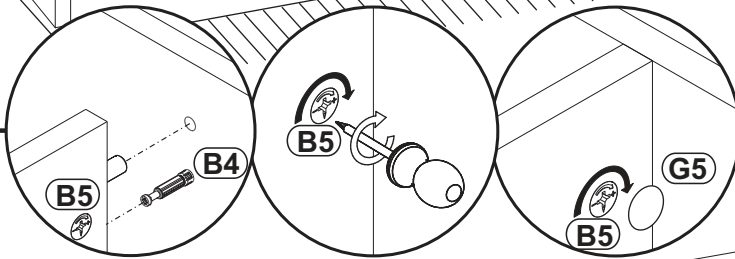
10



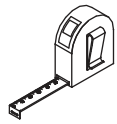
11




12

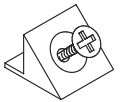


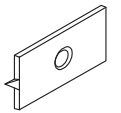
13

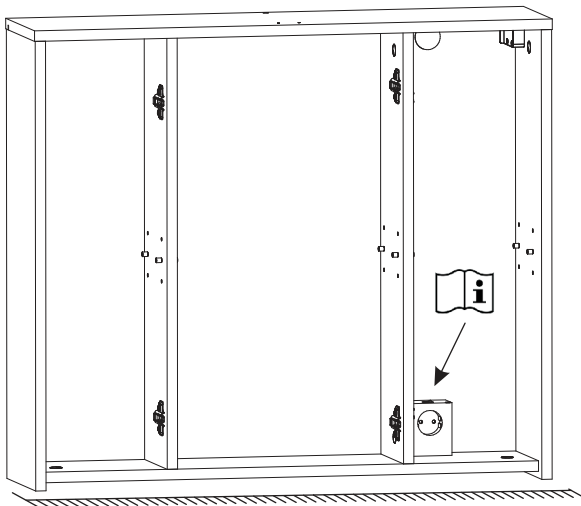
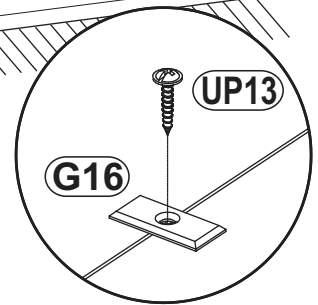
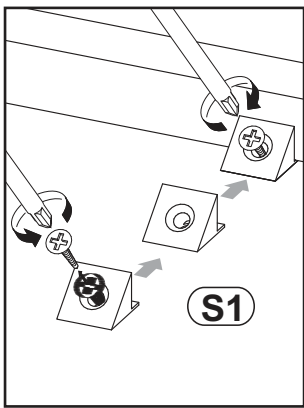
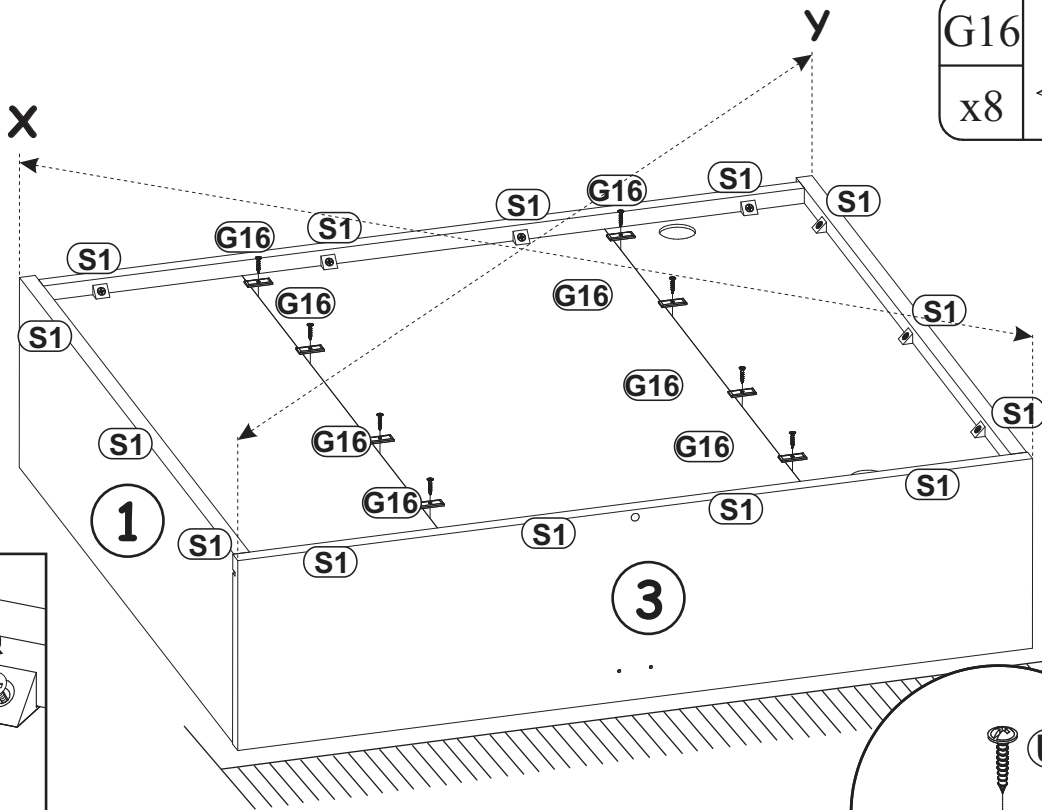


$X=Y$ 90°

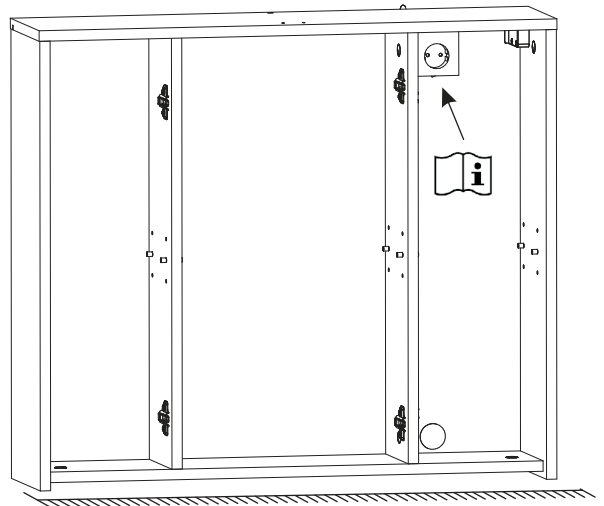
UP13	
x8	

S1	
x14	

G16	
x8	



14 **i**

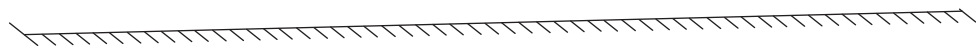
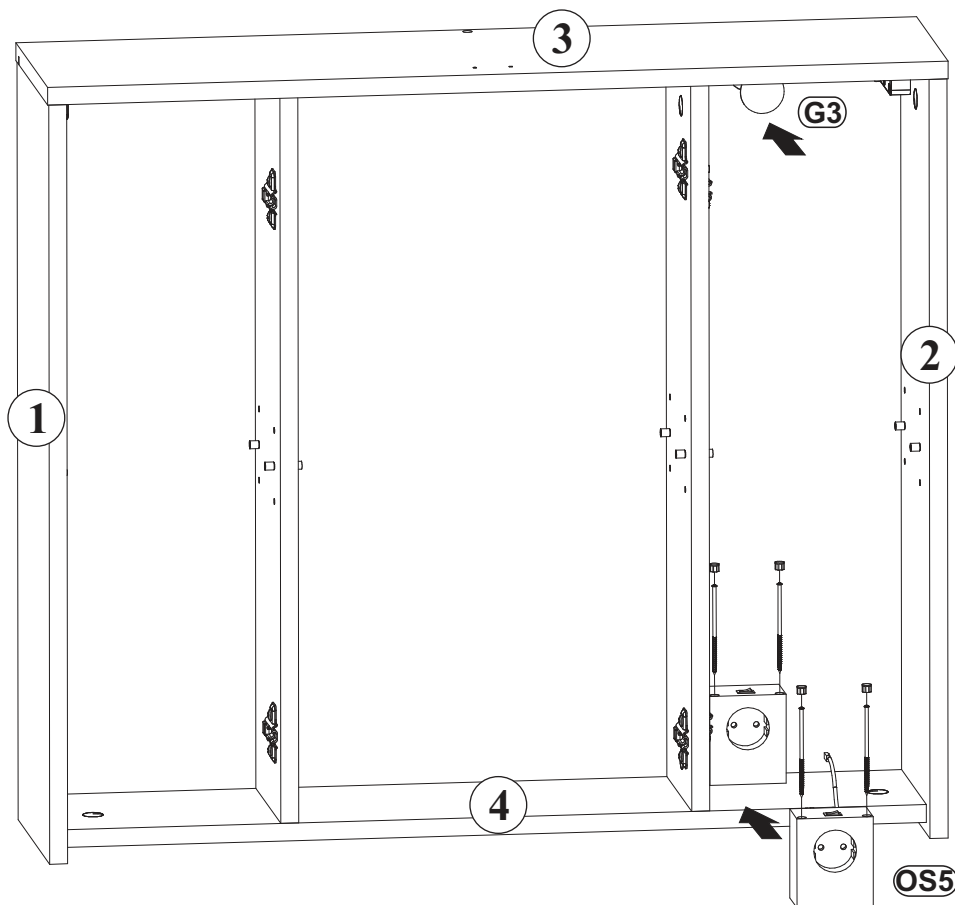
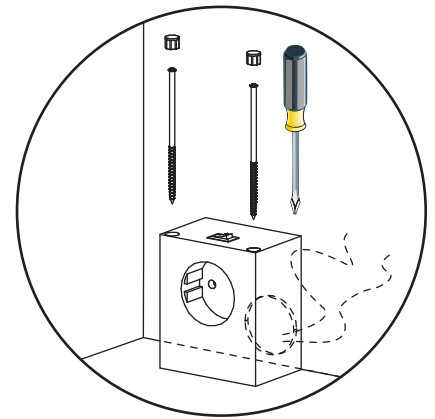
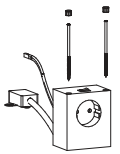
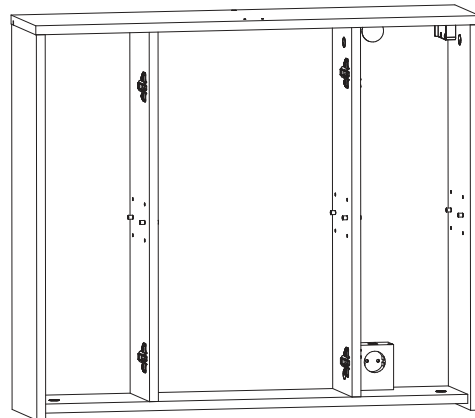


15 **i**

14


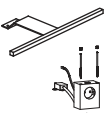


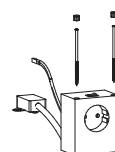
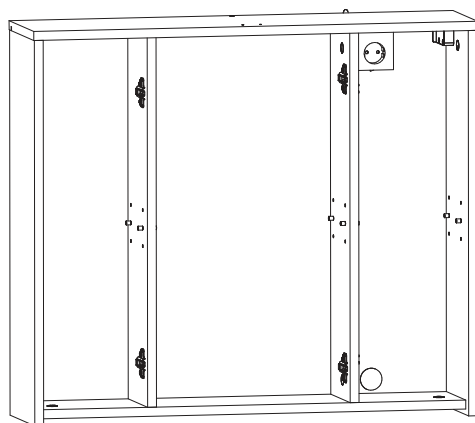
G3		OS5	
x1	Ø35	x1	



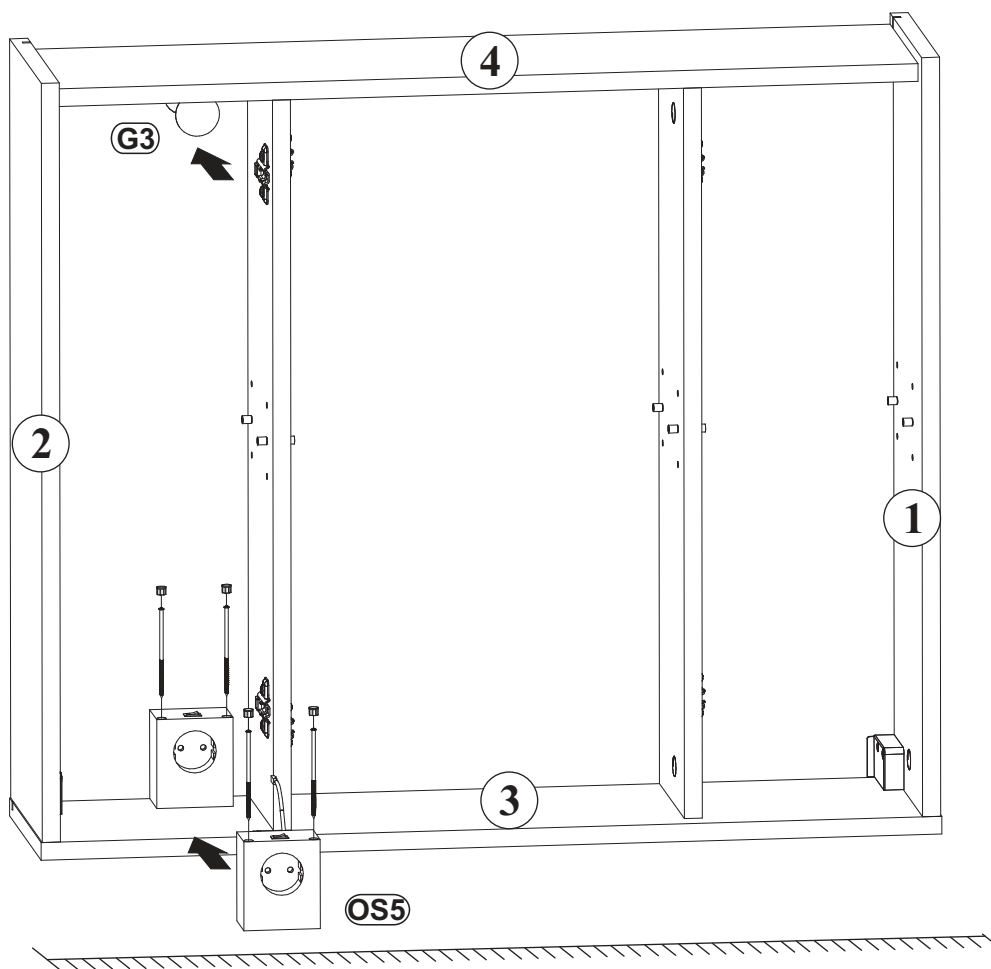
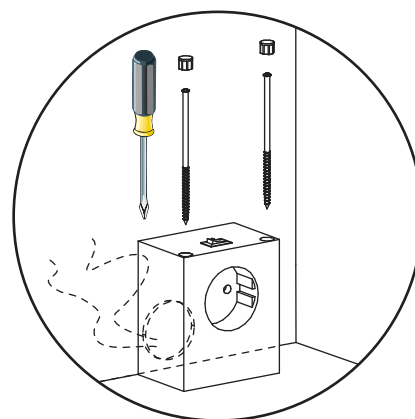
15



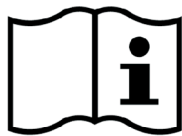
G3		OS5	
x1	Ø35	x1	

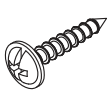



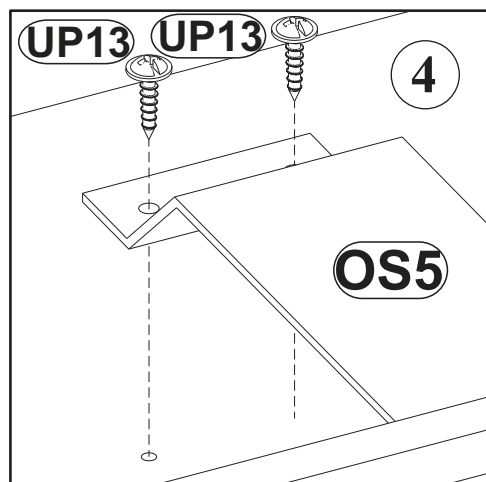
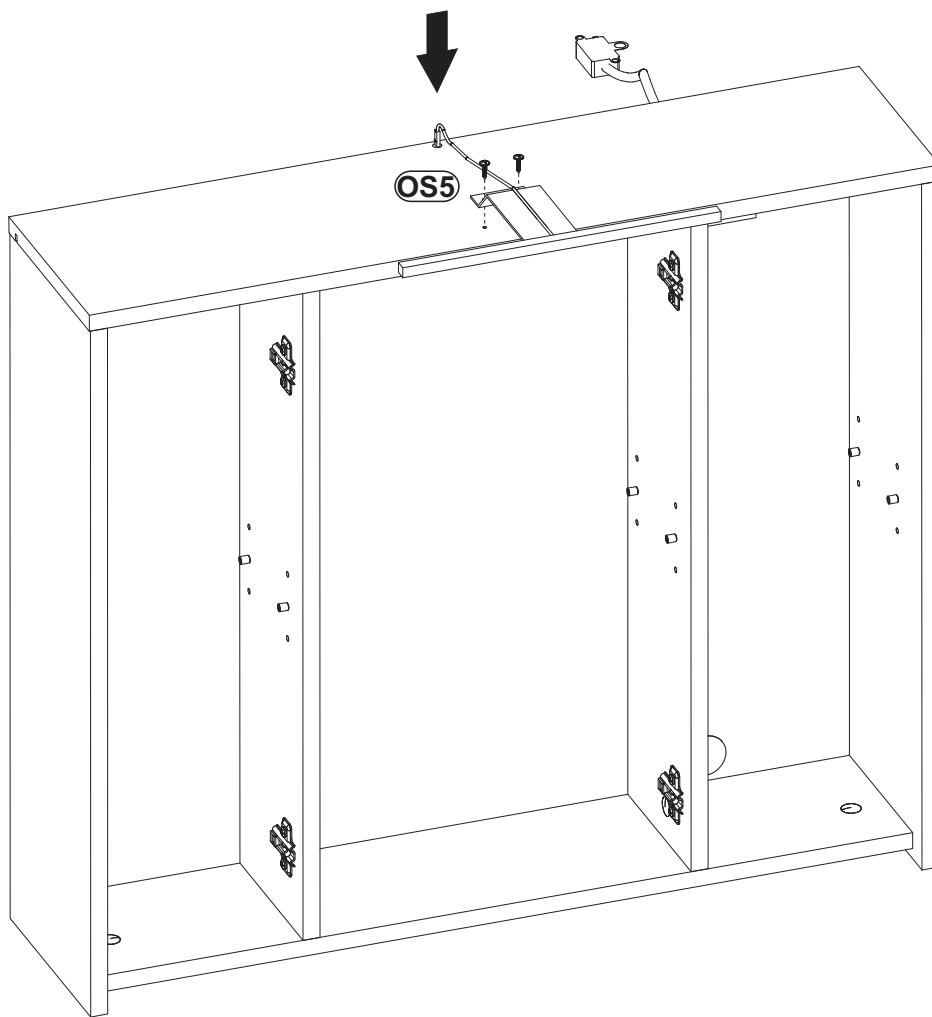
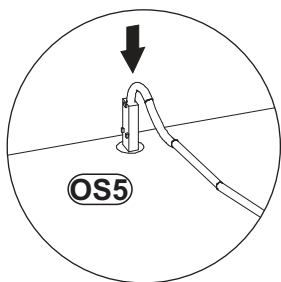
180°

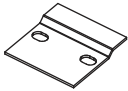
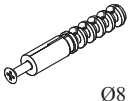


16

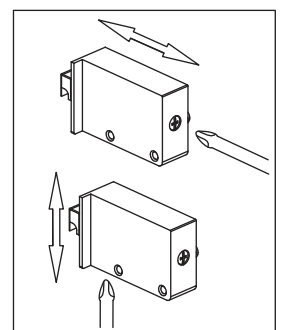
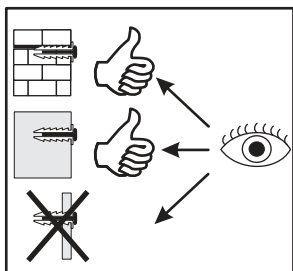
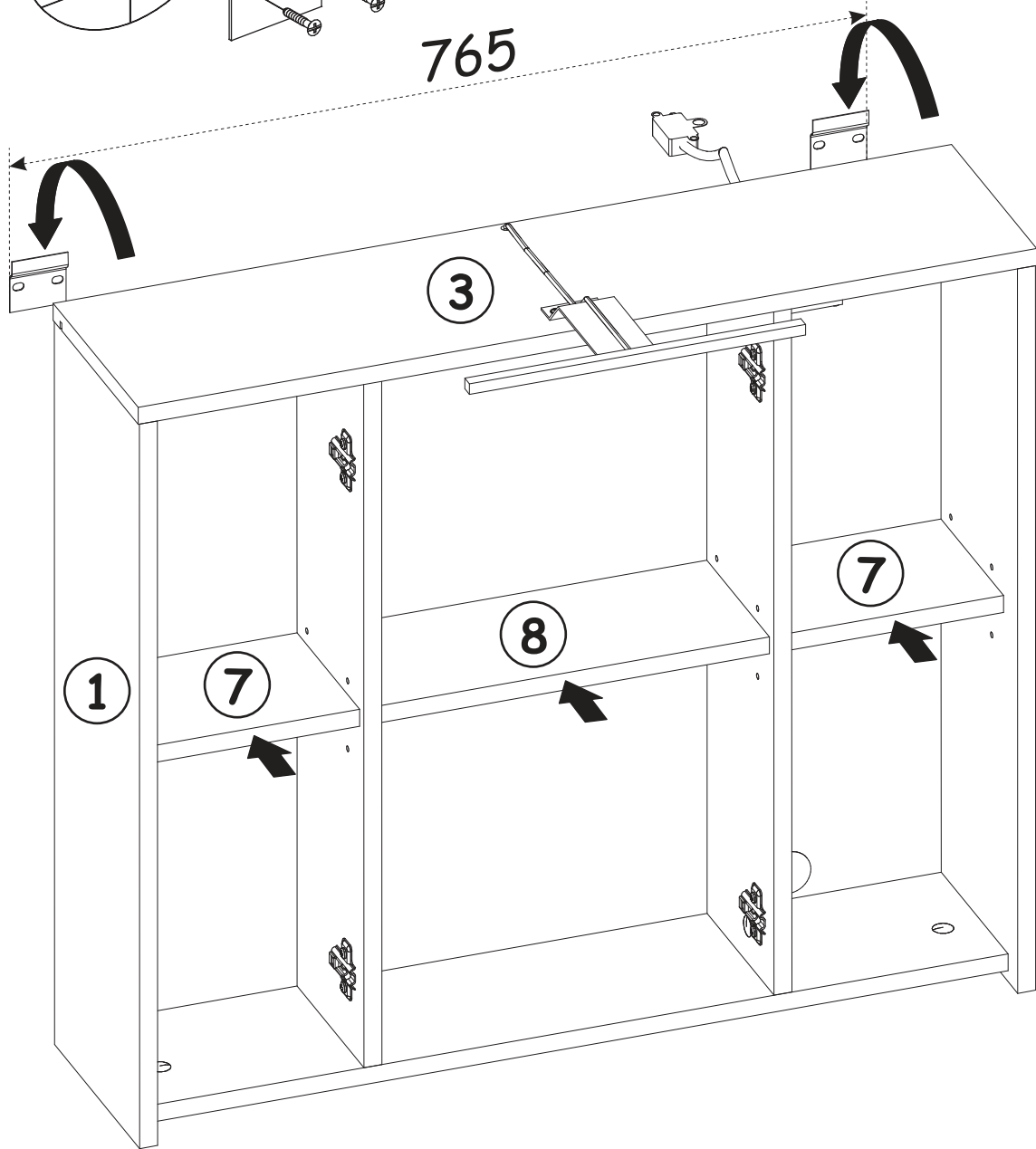
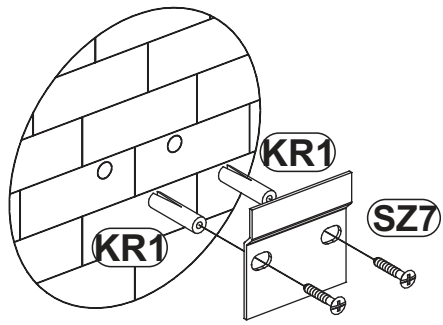


UP13	 UPØ3x16	OS5	 i
x2		x1	



SZ7		KR1	
x2		x4	Ø8

16



17

