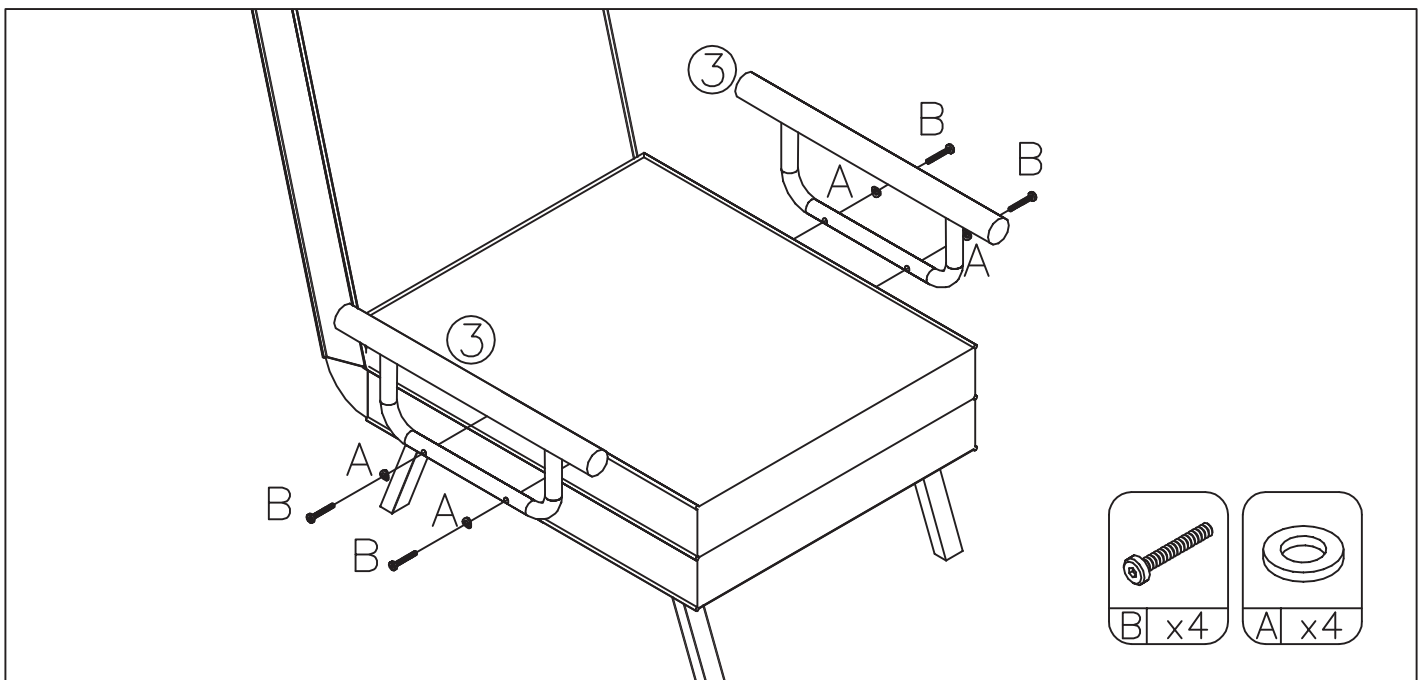
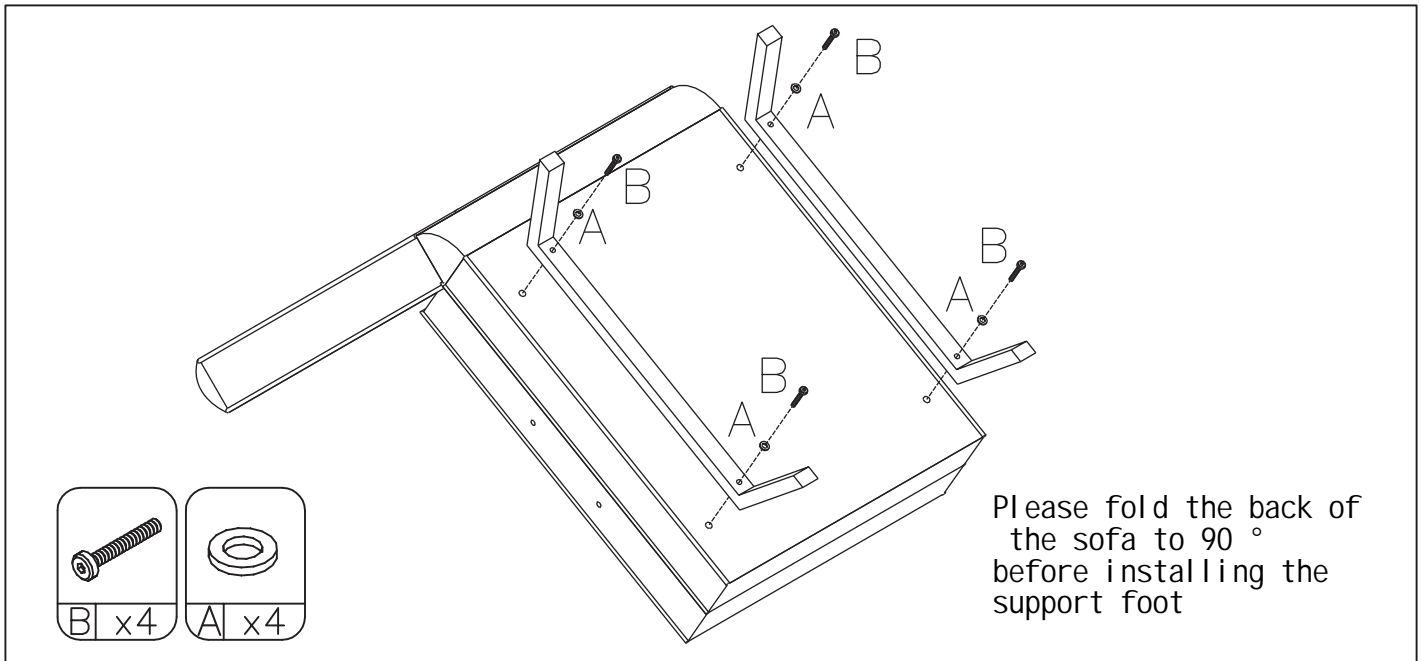
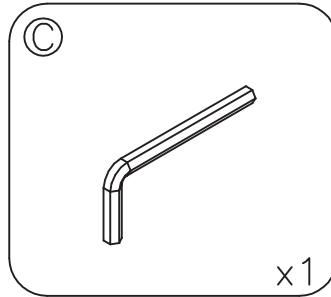
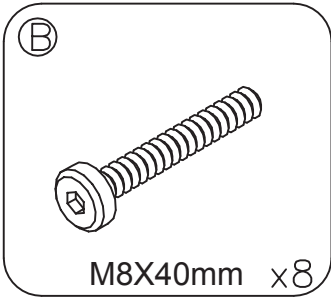
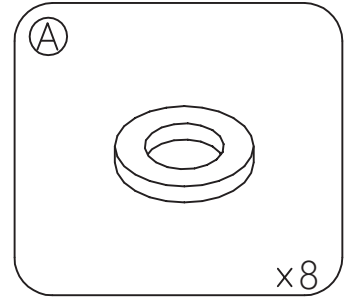
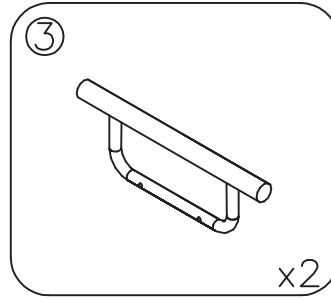
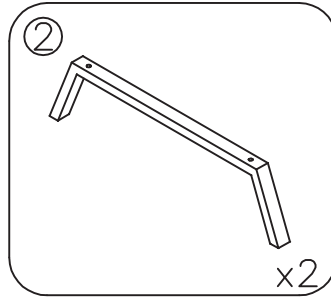
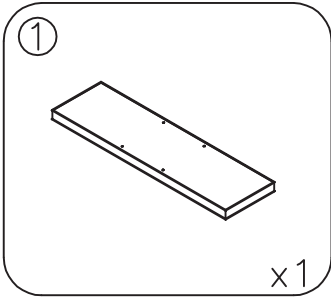
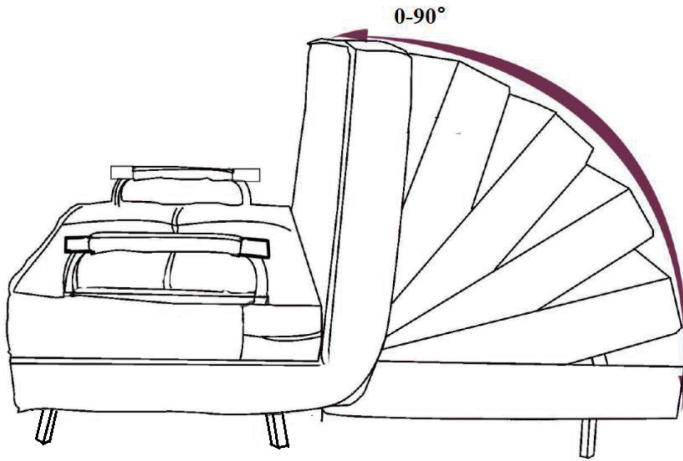


Assembling Instruction



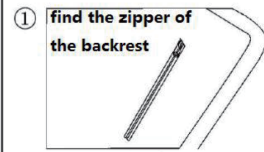
1 , How to adjust the back :

The back can be adjusted between 0-90°

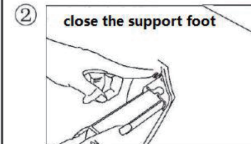


Attention: The back must be adjusted more than 90° to lie flat.

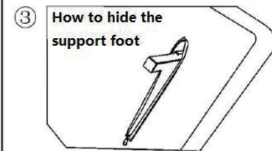
2 , How to use the supporting foot hidden in back.



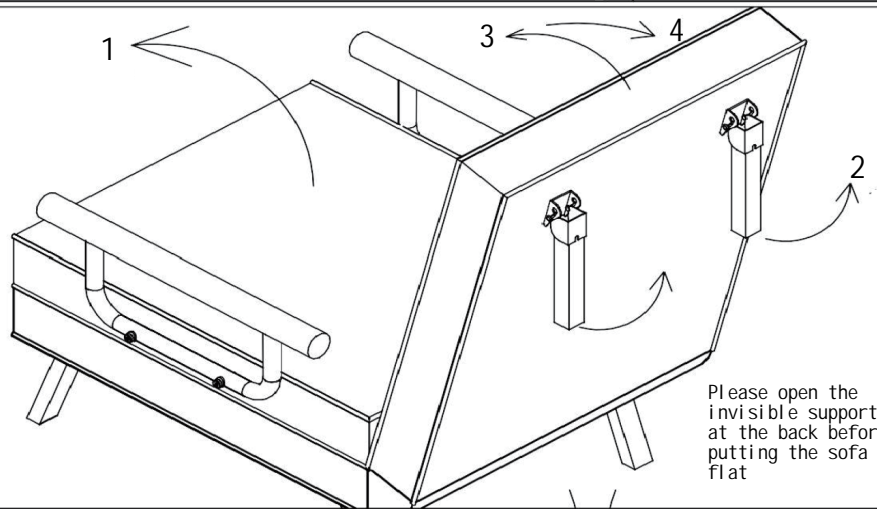
Pull zipper and open the support foot to the maximum angle.



As above, press the button and gently press the support foot down.



zip up



Please open the invisible support foot at the back before putting the sofa back flat

