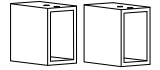
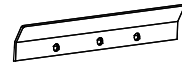
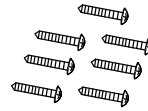
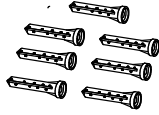
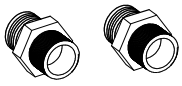
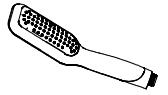
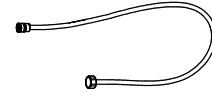
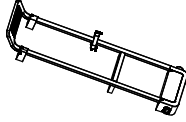
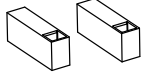
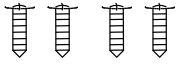


# DG9043 Installation manual

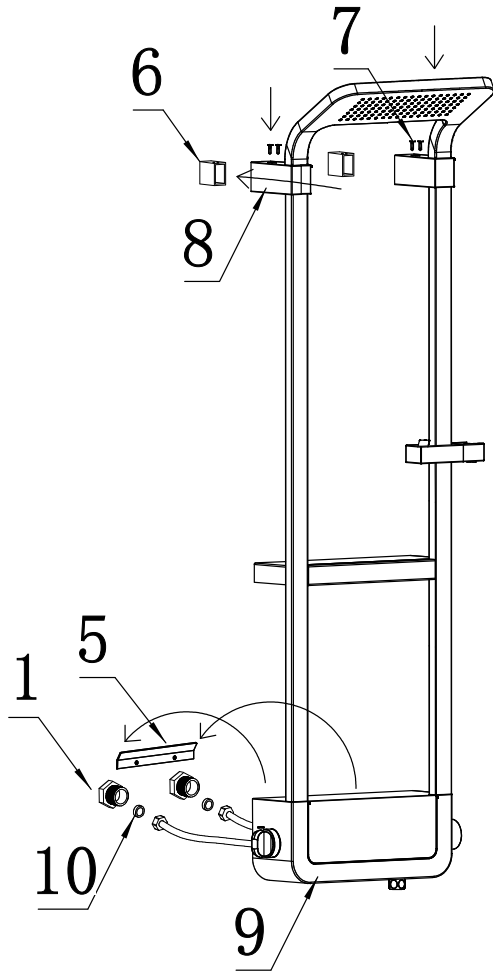


- ① Water outlet joint ② Thread seal tape ③ Wall anchor ④ Screw ⑤ Hook ⑥ Wall mounting bracket

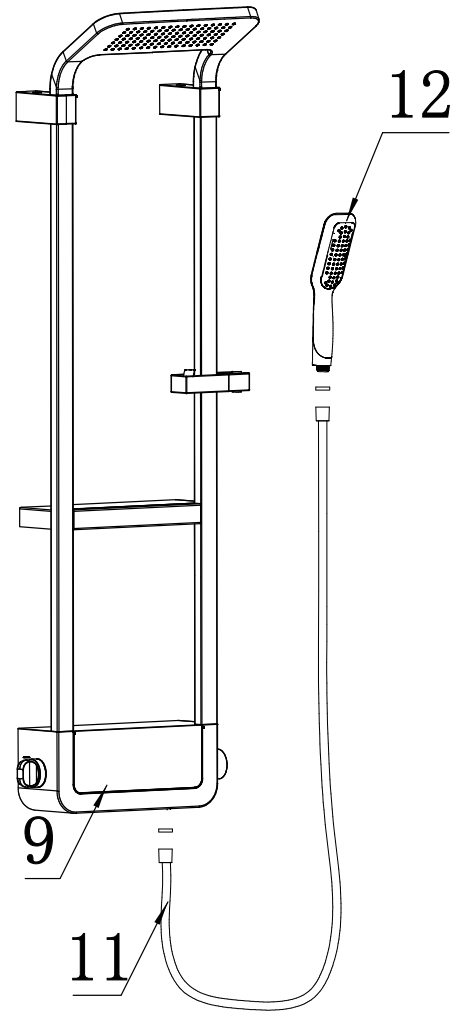


- ⑦ Screw ⑧ Mounting bracket ⑨ Shower column ⑩ Mesh gasket ⑪ Hose ⑫ Hand shower

⑤



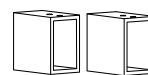
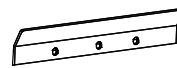
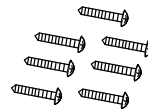
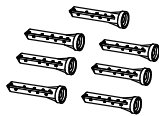
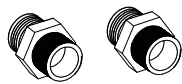
⑥



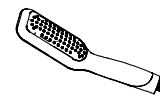
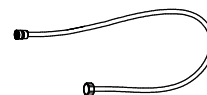
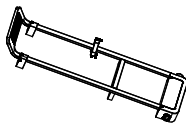
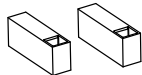
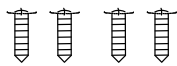
5. Put the mesh gasket (10) into flexible hose, rotate it to the water outlet joint (1), put the mounting bracket (8) into wall mounting bracket (6) and fix them with screw (7), insert the shower column (9) to hook (5) on the wall.

6. Place rubber washer into each nut of hose (11), and secure one nut to the shower column (9), the other nut to the hand shower (12). Put the hand shower (12) onto the holder.

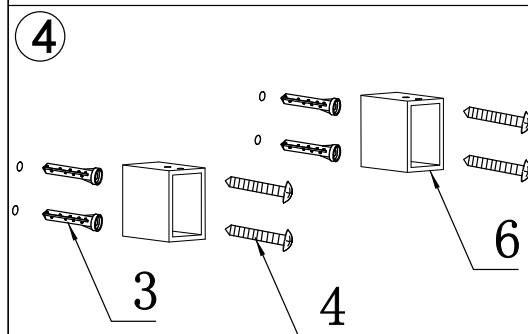
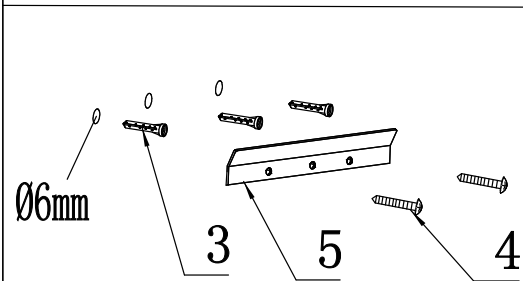
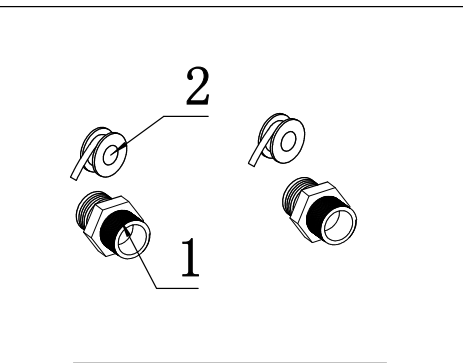
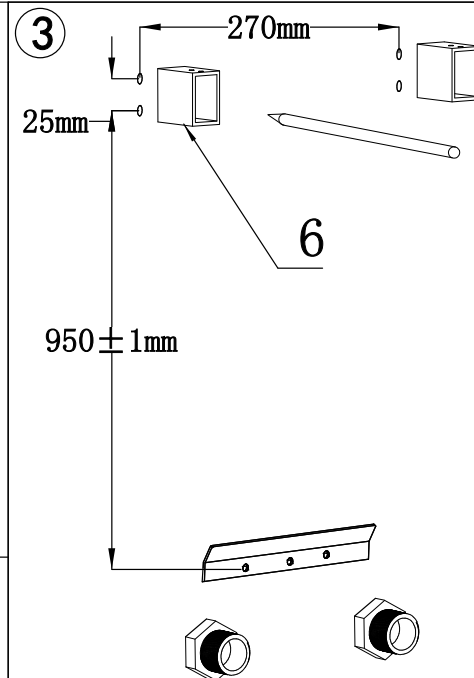
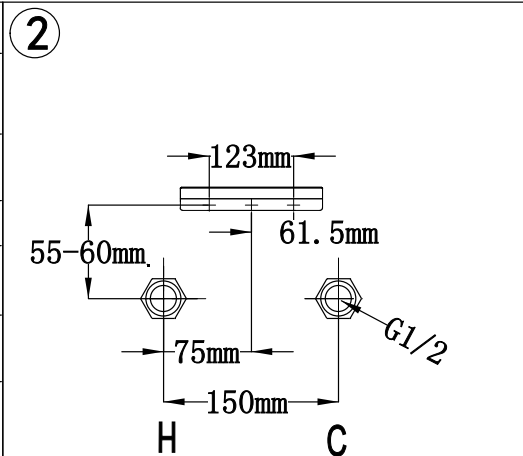
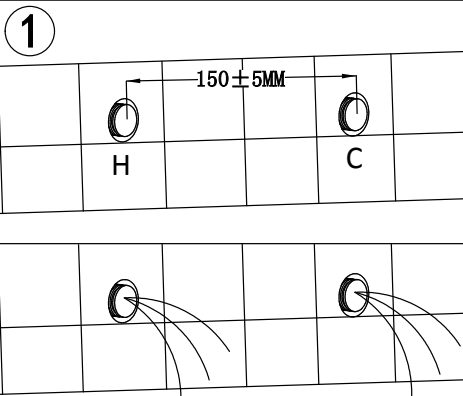
# DG9043 Installation manual



- ① Water outlet joint ② Thread seal tape ③ Wall anchor ④ Screw ⑤ Hook ⑥ Wall mounting bracket



- ⑦ Screw ⑧ Mounting bracket ⑨ Shower column ⑩ Mesh gasket ⑪ Hose ⑫ Hand shower



1. Wrap the thread seal tape (2) on water outlet joint (1), screw the water outlet joint (1) to the Hot/Cold water inlet on the wall.
2. Drill three 6mm holes on the wall, and insert the wall anchors (3) into the wall. Fix the screws (4) to the wall through hook (5).
3. Mark four holes according to the drawing.
4. Drill four 6mm holes on the wall, and insert the wall anchors (3) into the wall, fix the screws (4) to the wall through inner wall mounting bracket (6).