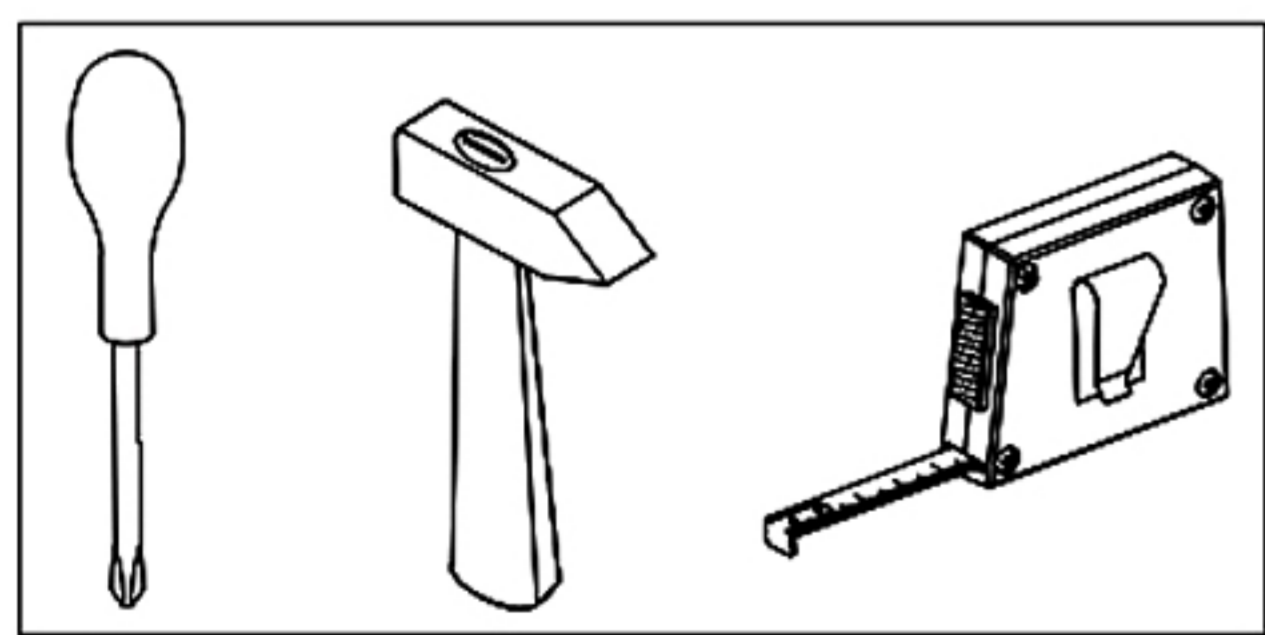
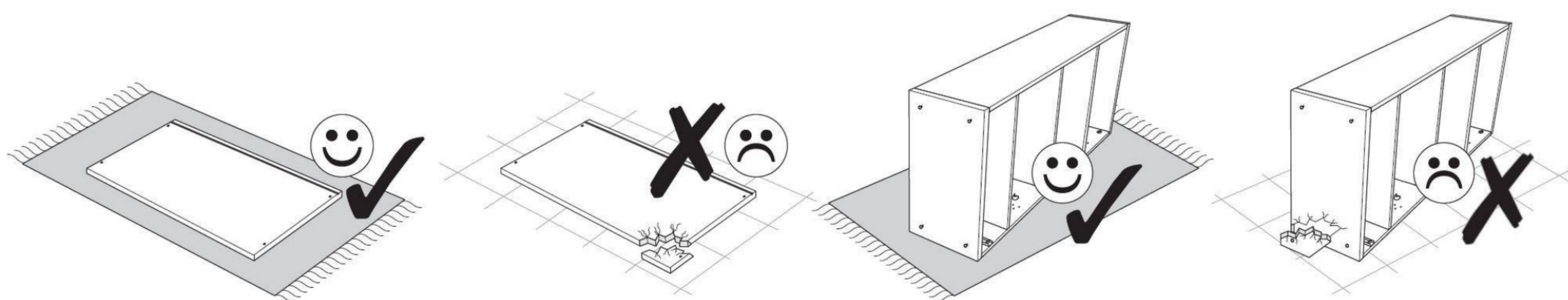
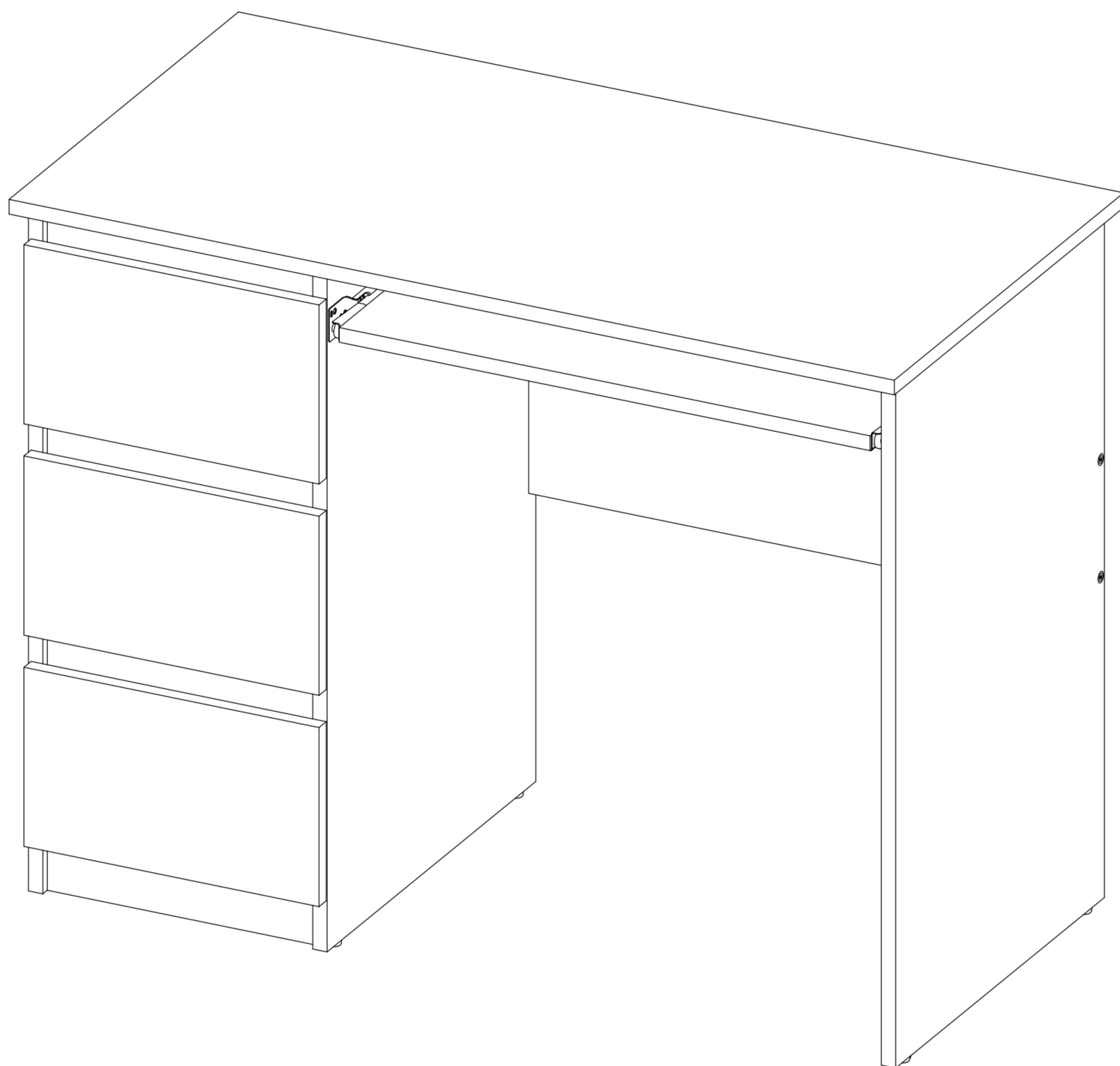
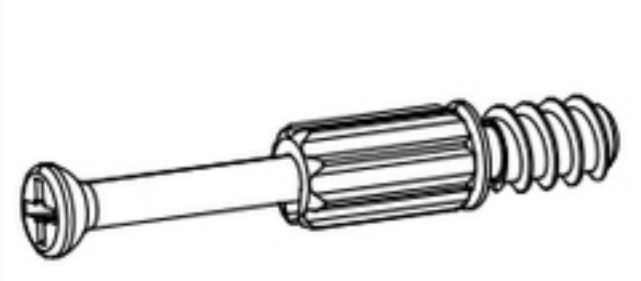
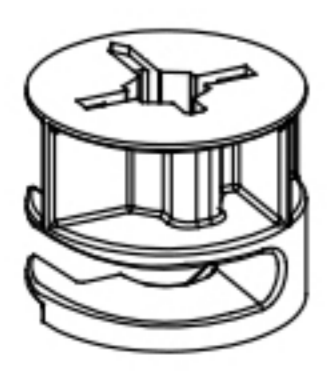
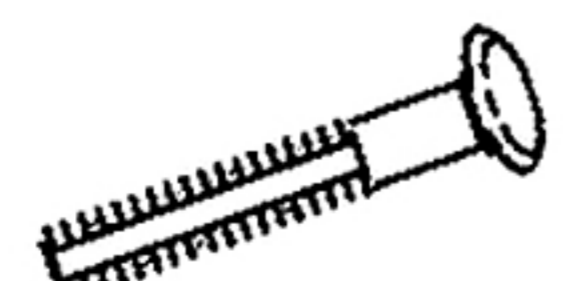
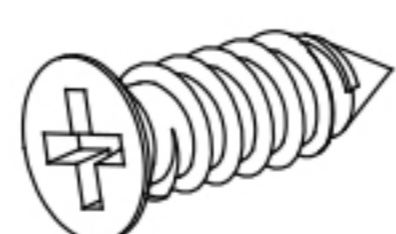
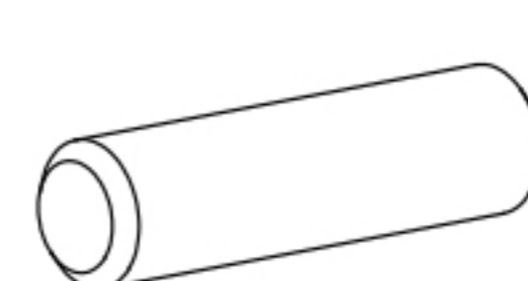
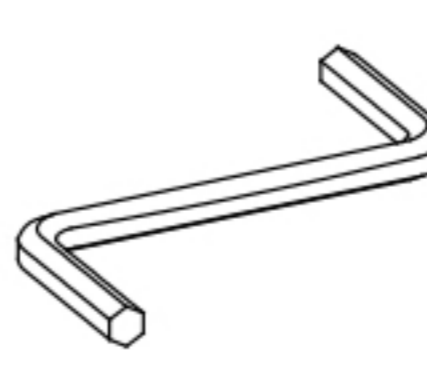
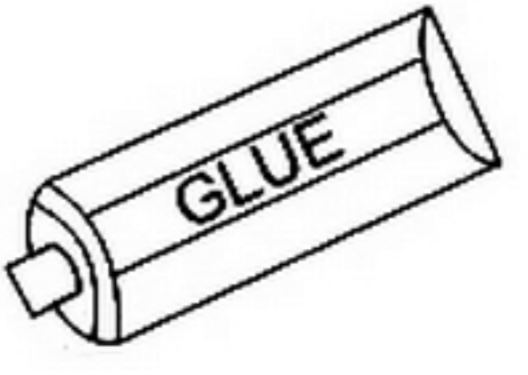

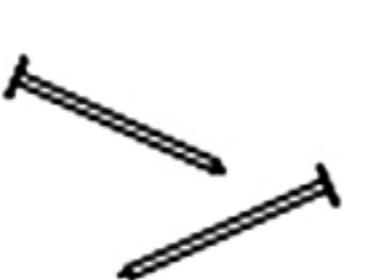


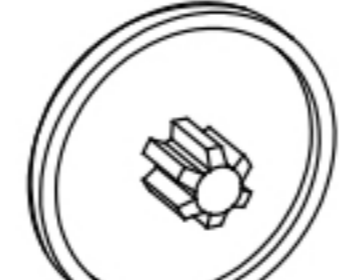
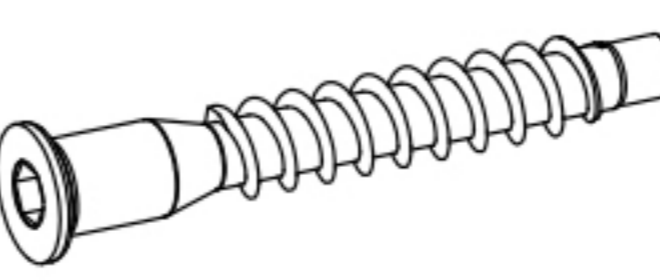
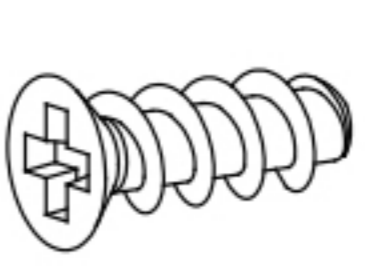

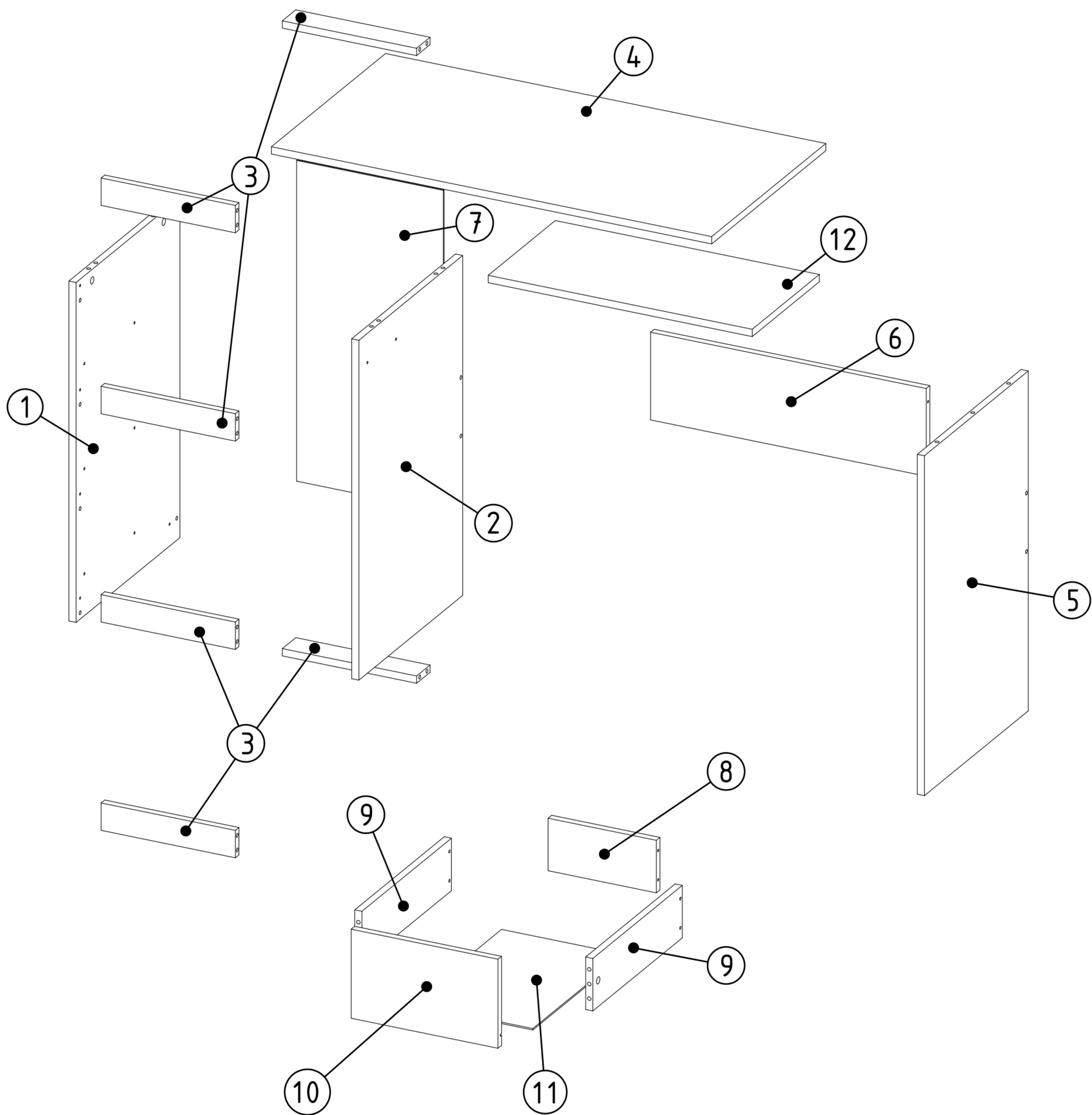


22/10/2020

LIMA 3S L

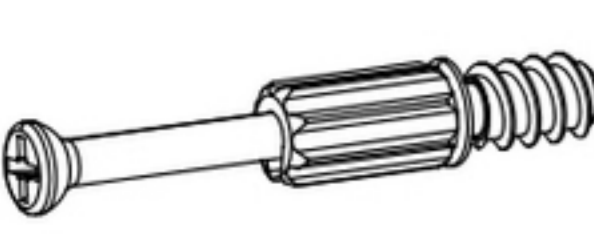

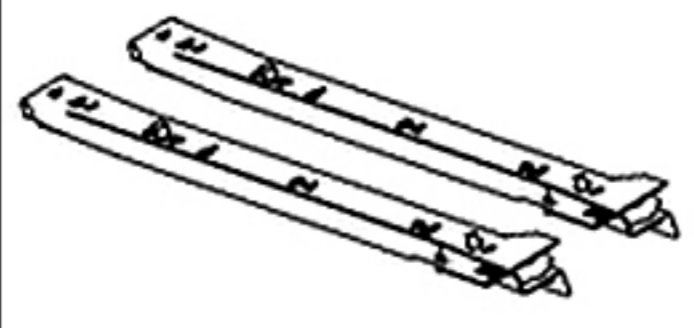
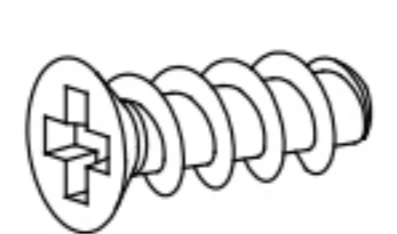




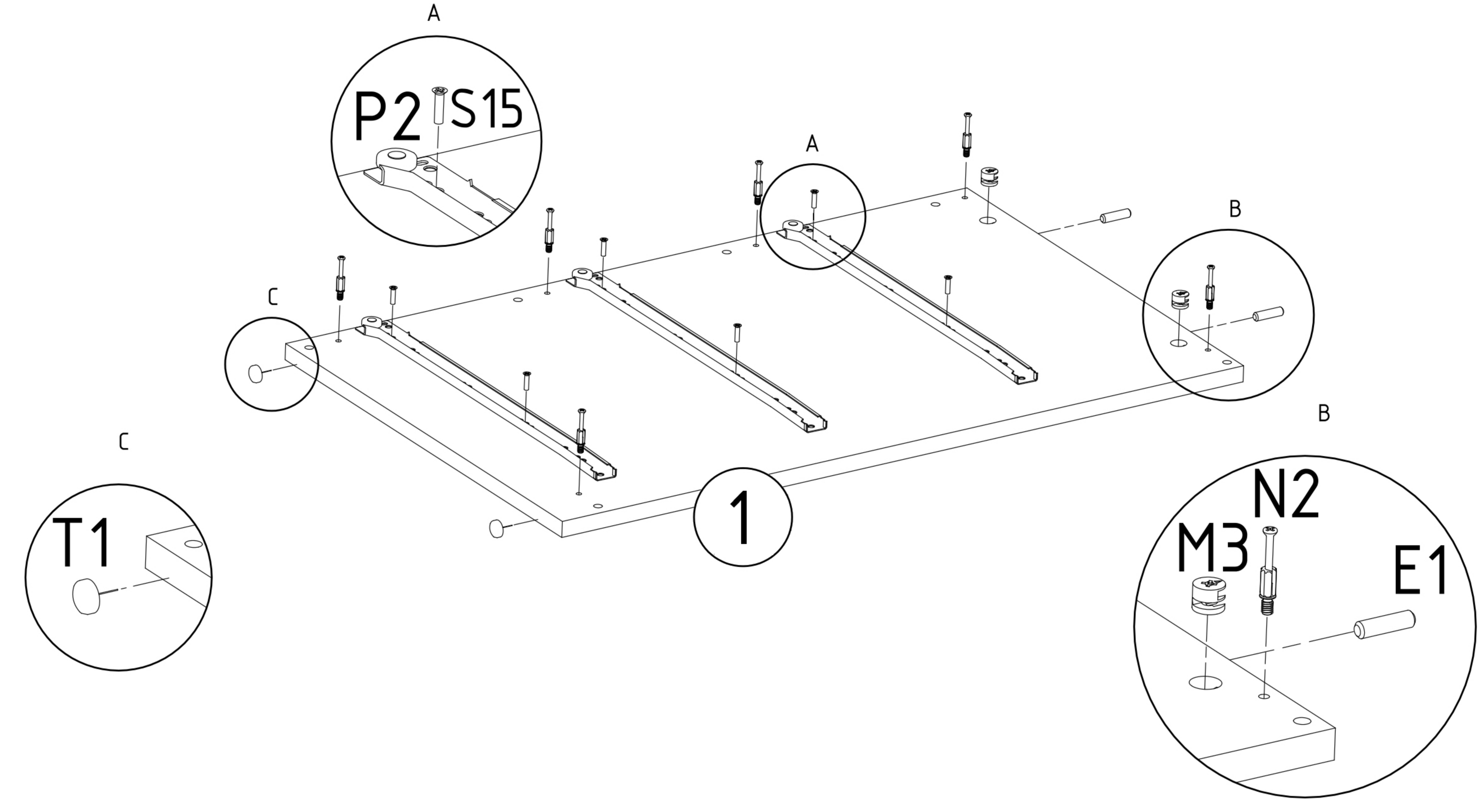
<b>N2</b>  L=34mm <b>x22</b>	<b>M3</b>  12x15mm <b>x22</b>	<b>E4</b>  L=43mm <b>x12</b>	<b>S1</b>  3,5x16mm <b>x16</b>	<b>E1</b>  8x30mm <b>x31</b>	<b>K1</b>  <b>x1</b>	 <b>x1</b>	
<b>T1</b>  <b>x6</b>	<b>Z2</b>  <b>x45</b>	<b>P3</b>  L=300mm <b>x1</b>	<b>P2</b>  L=400mm <b>x3</b>	<b>M2</b>  ø17mm <b>x6</b>	<b>F2</b>  7x50mm <b>x4</b>	<b>S15</b>  6x8mm <b>x16</b>	<b>F1</b>  ø12mm <b>x2</b>

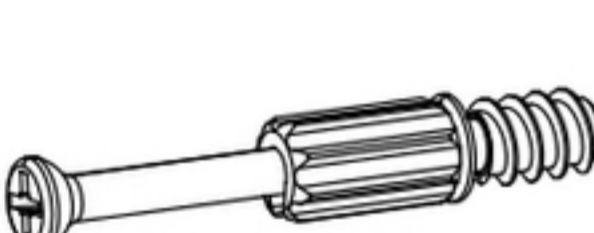

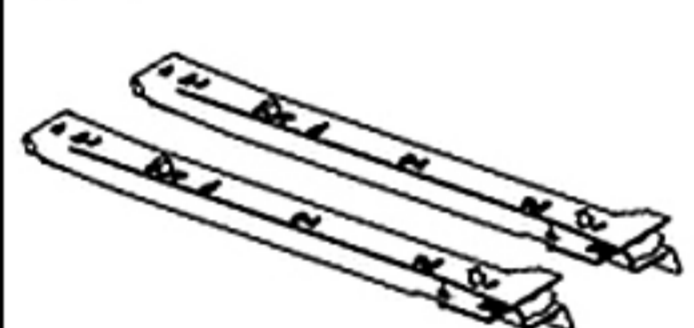





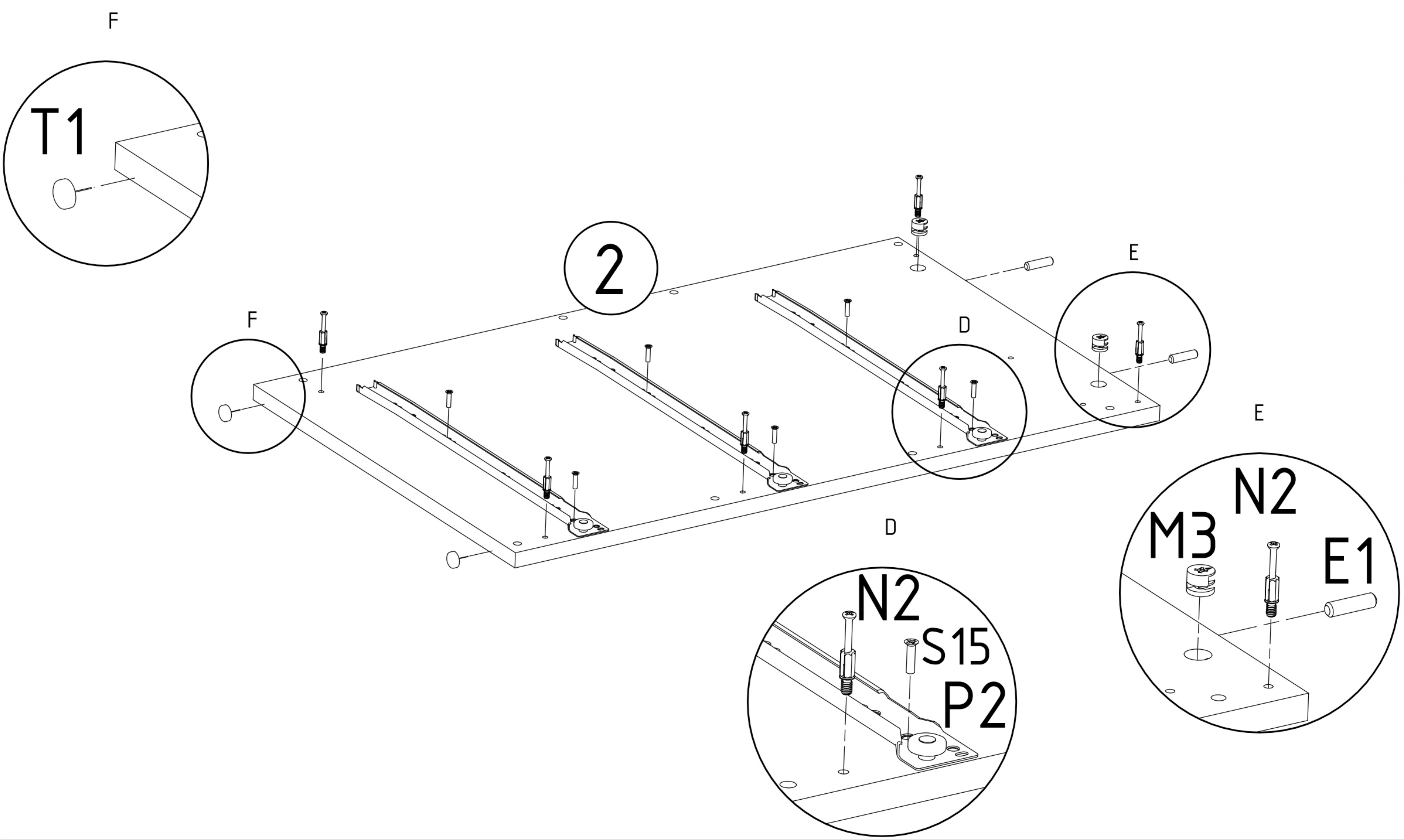
<b>1</b>	x	1
<b>2</b>	x	1
<b>3</b>	x	6
<b>4</b>	x	1
<b>5</b>	x	1
<b>6</b>	x	1
<b>7</b>	x	1

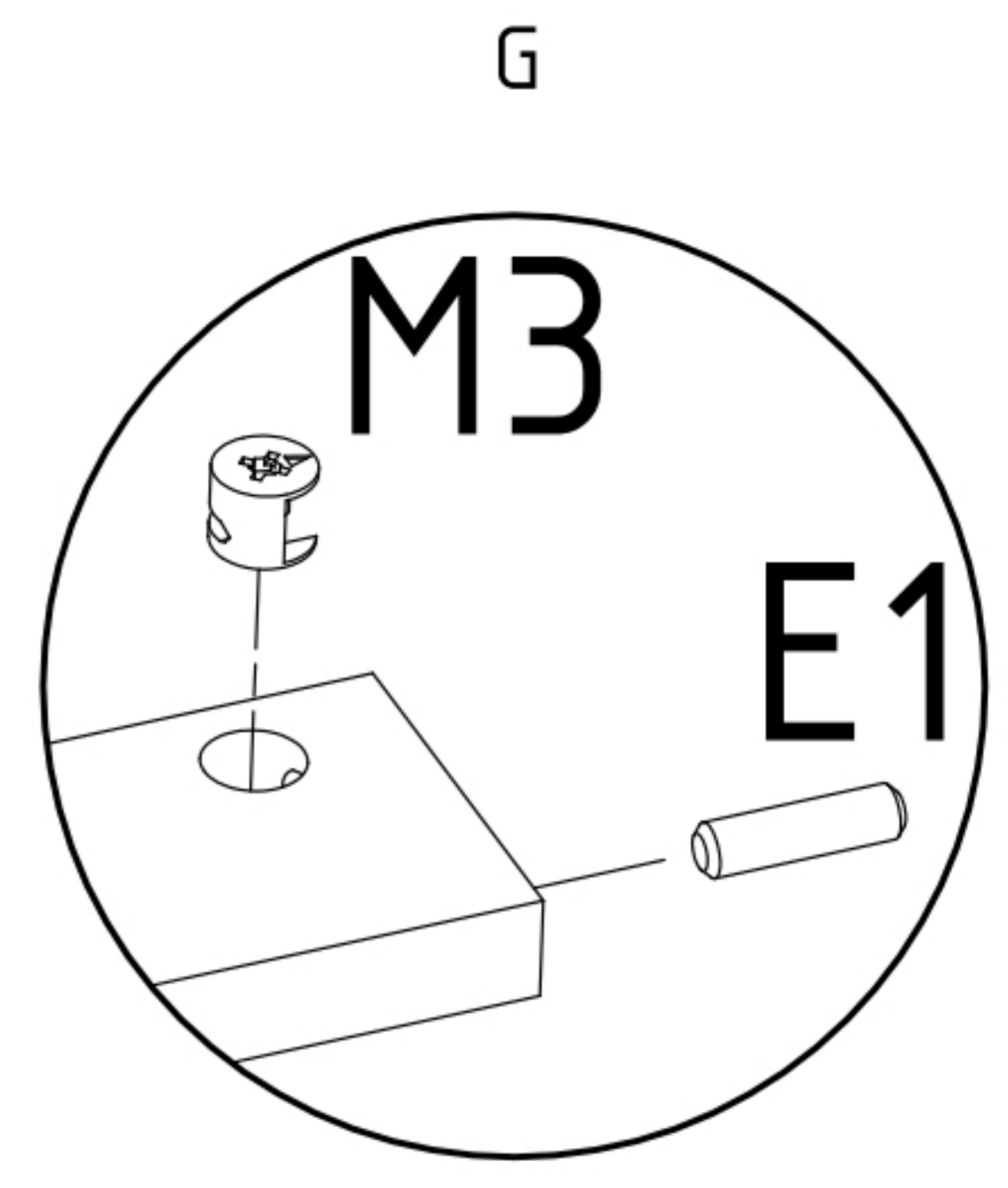
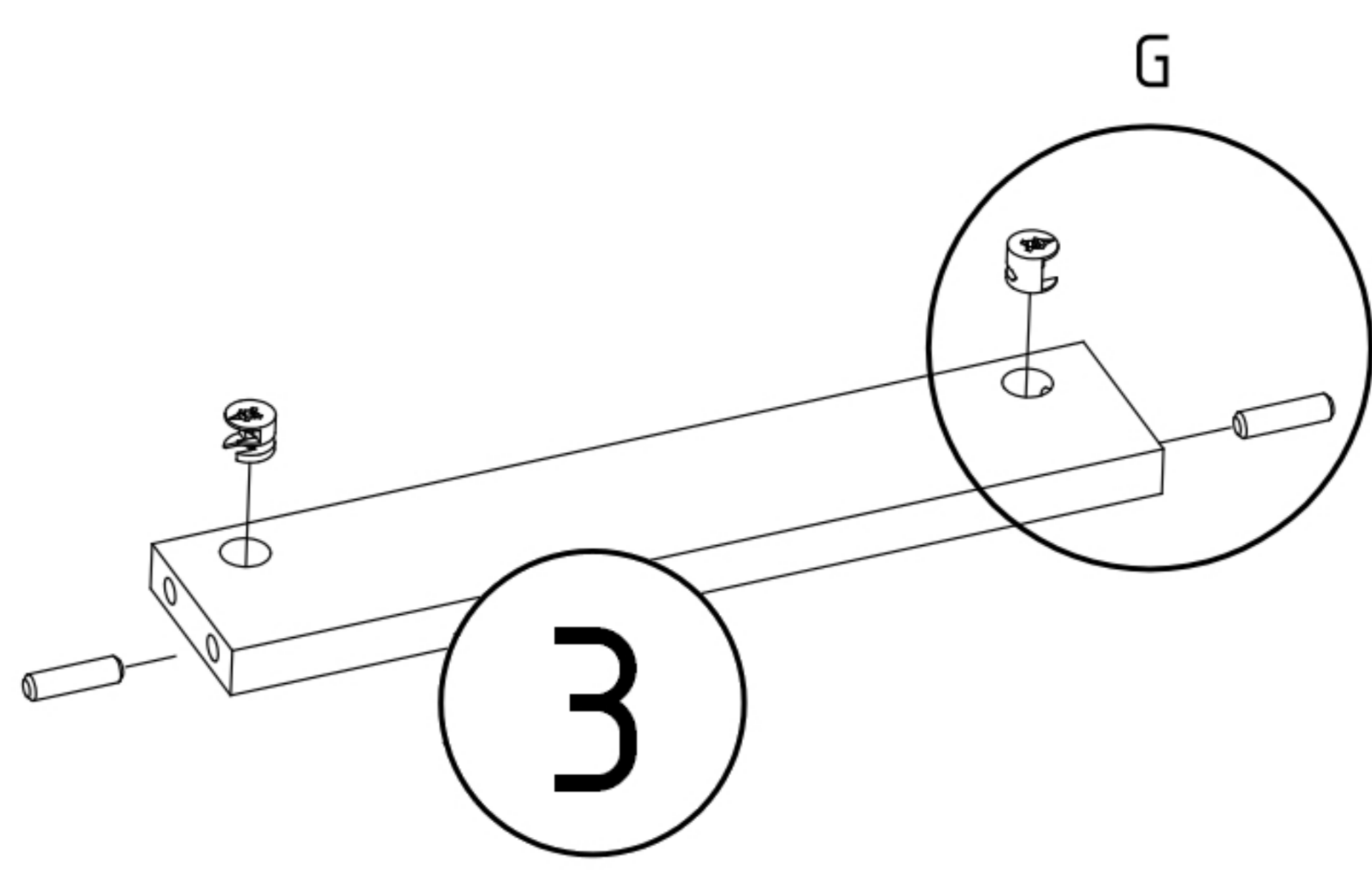
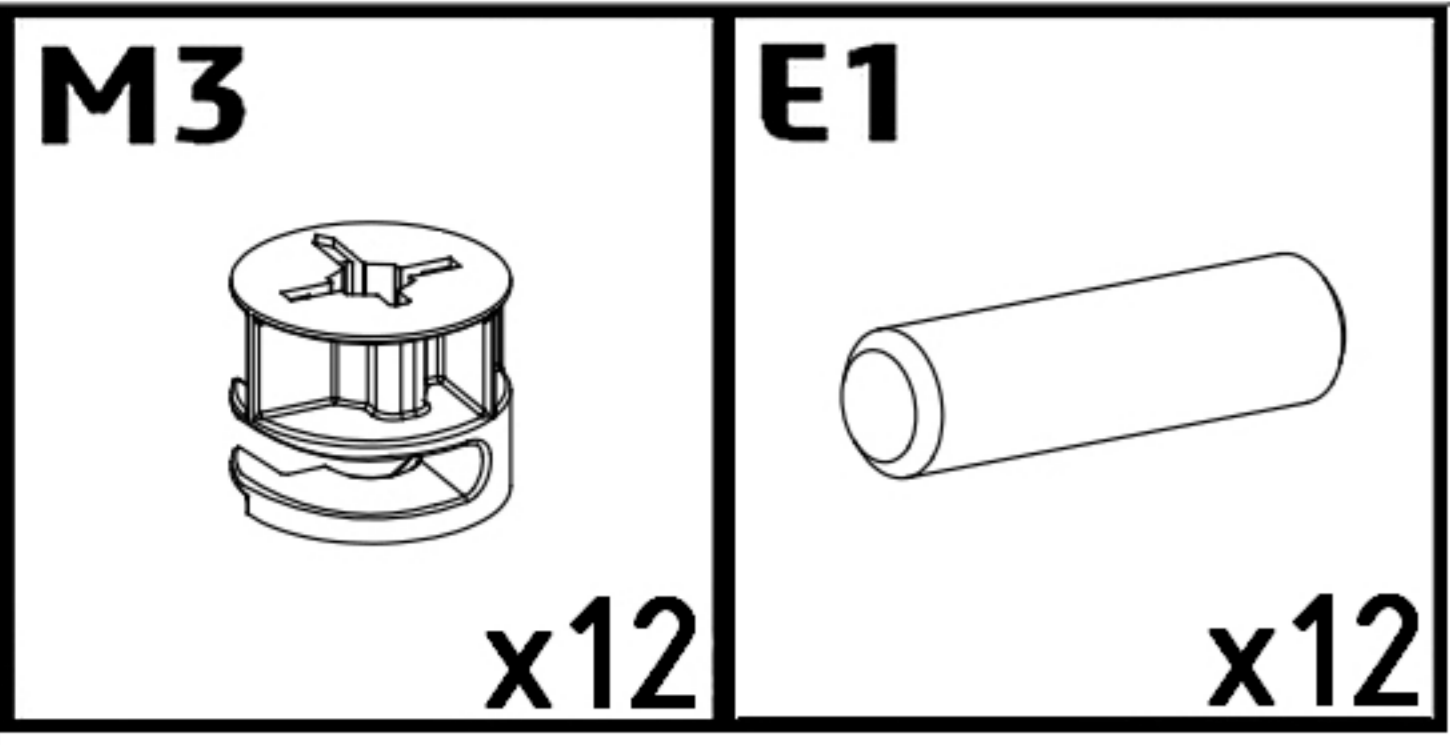
<b>8</b>	x	3
<b>9</b>	x	6
<b>10</b>	x	3
<b>11</b>	x	3
<b>12</b>	x	1

<b>N2</b>  x6	<b>M3</b>  x2	<b>P2</b>  x3	<b>S15</b>  x6	<b>E1</b>  x2	<b>T1</b>  x2
---	--	--	---	---	--

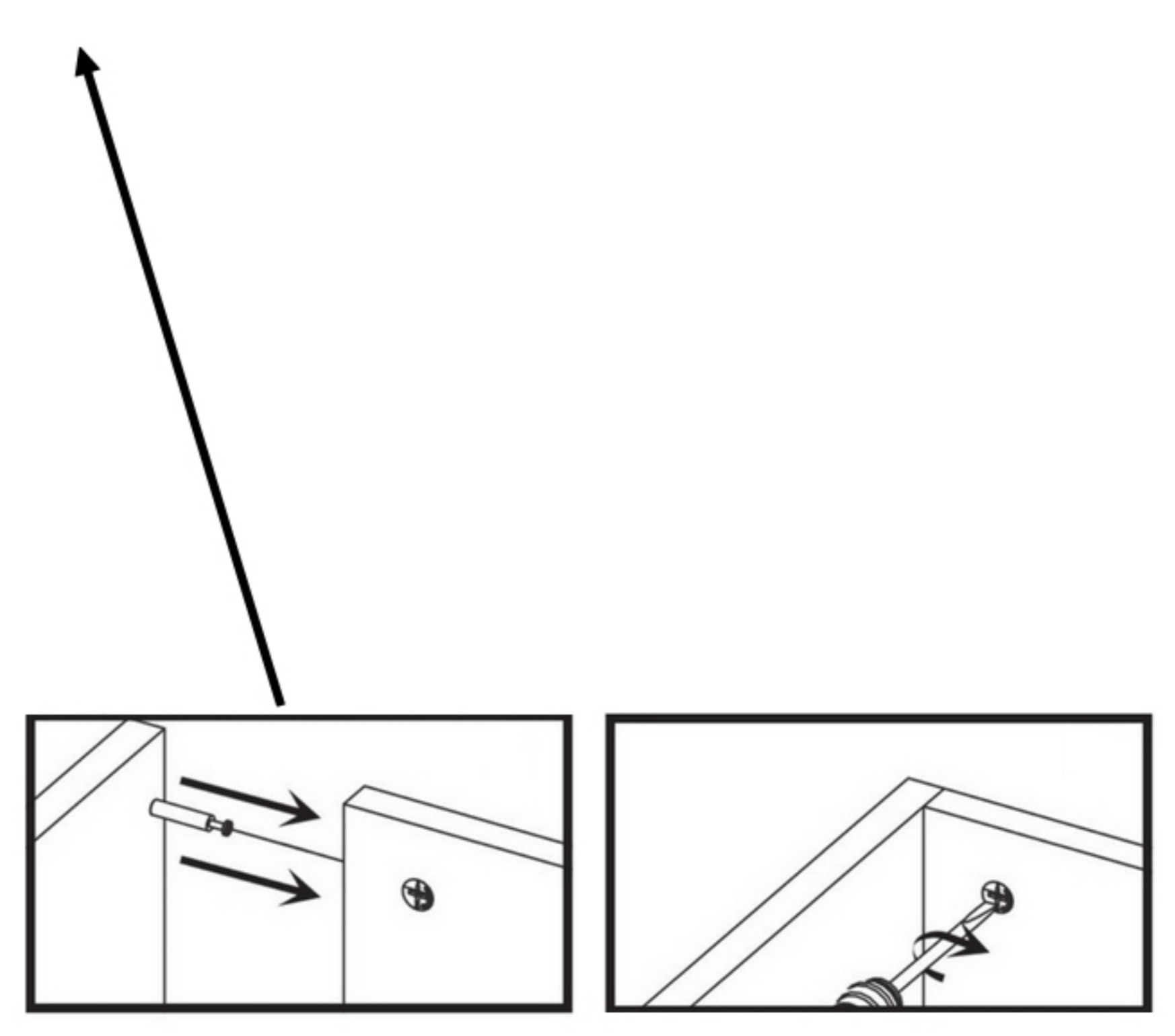
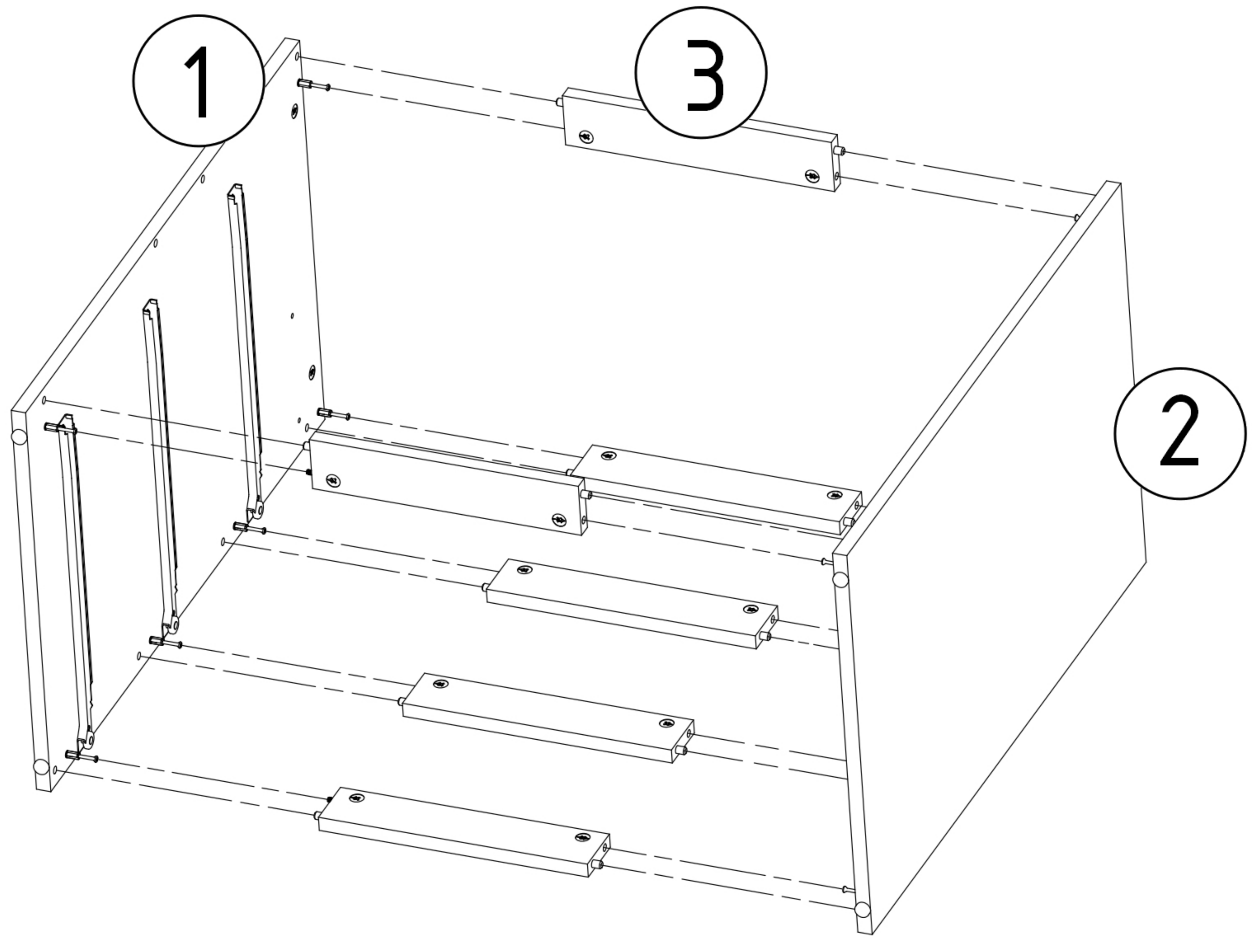





<b>N2</b>  x6	<b>M3</b>  x2	<b>P2</b>  x3	<b>S15</b>  x6	<b>E1</b>  x2	<b>T1</b>  x2
---	--	--	---	---	--

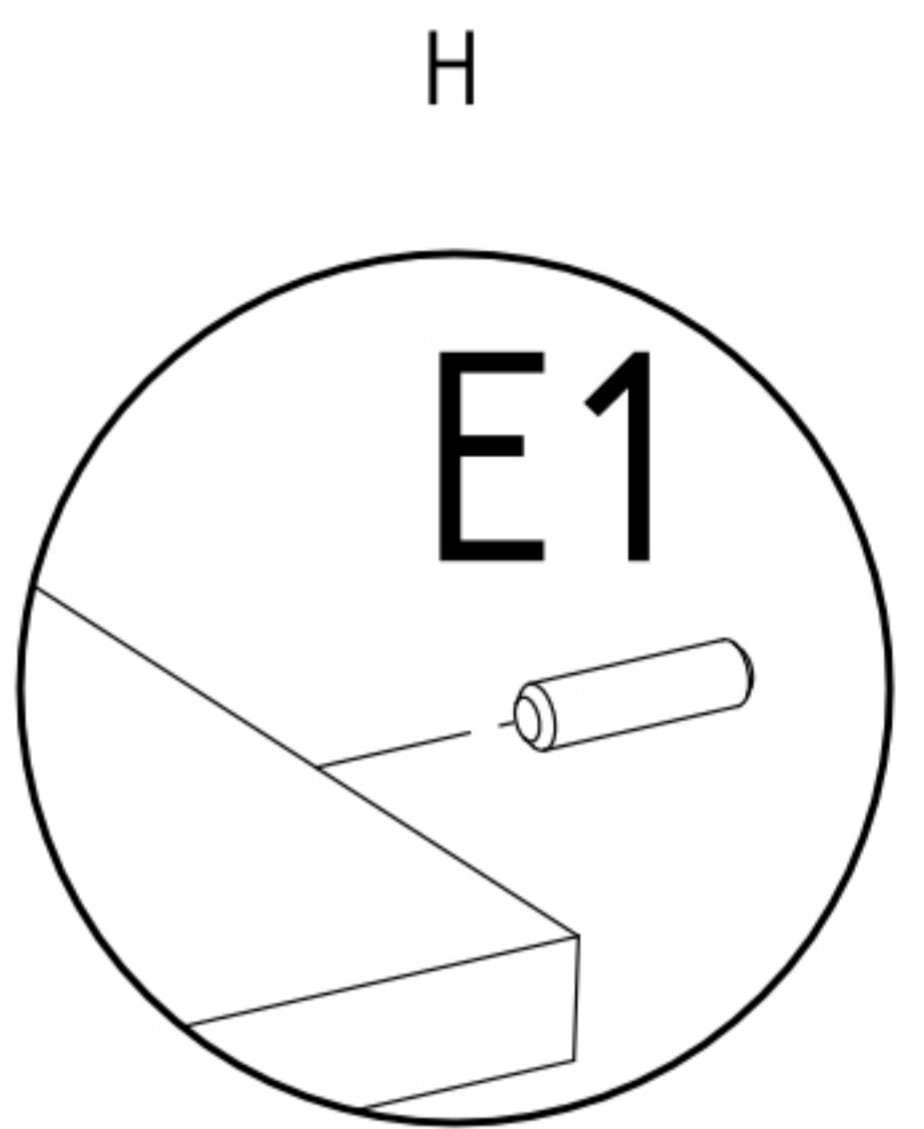
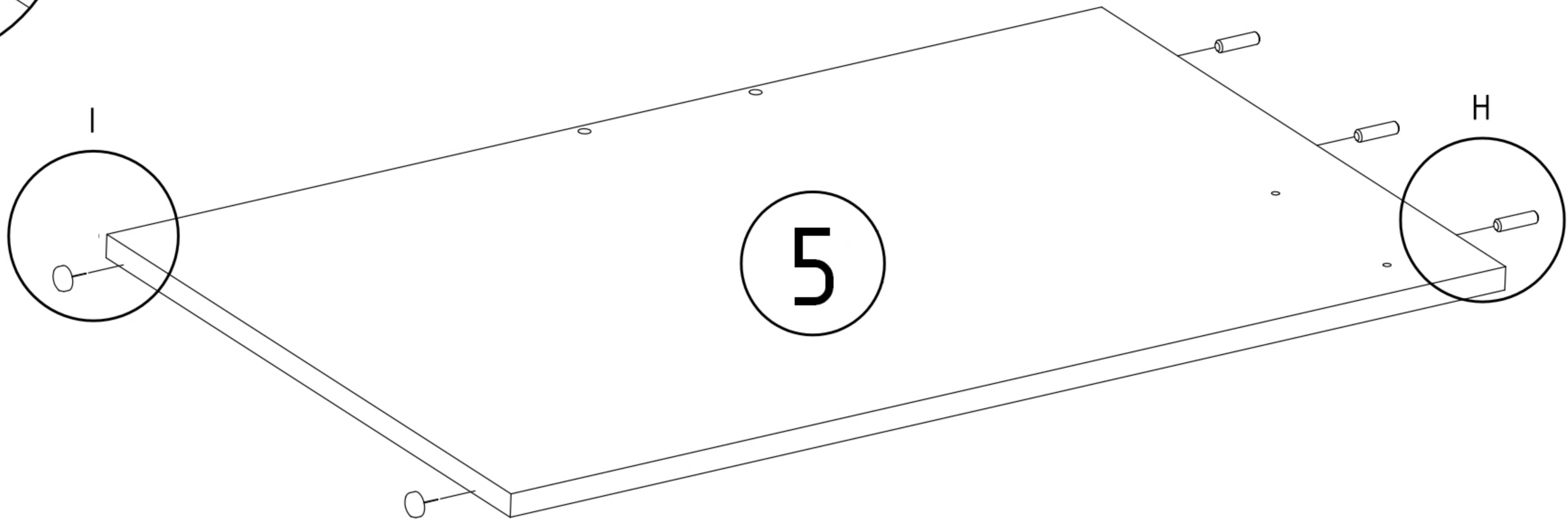
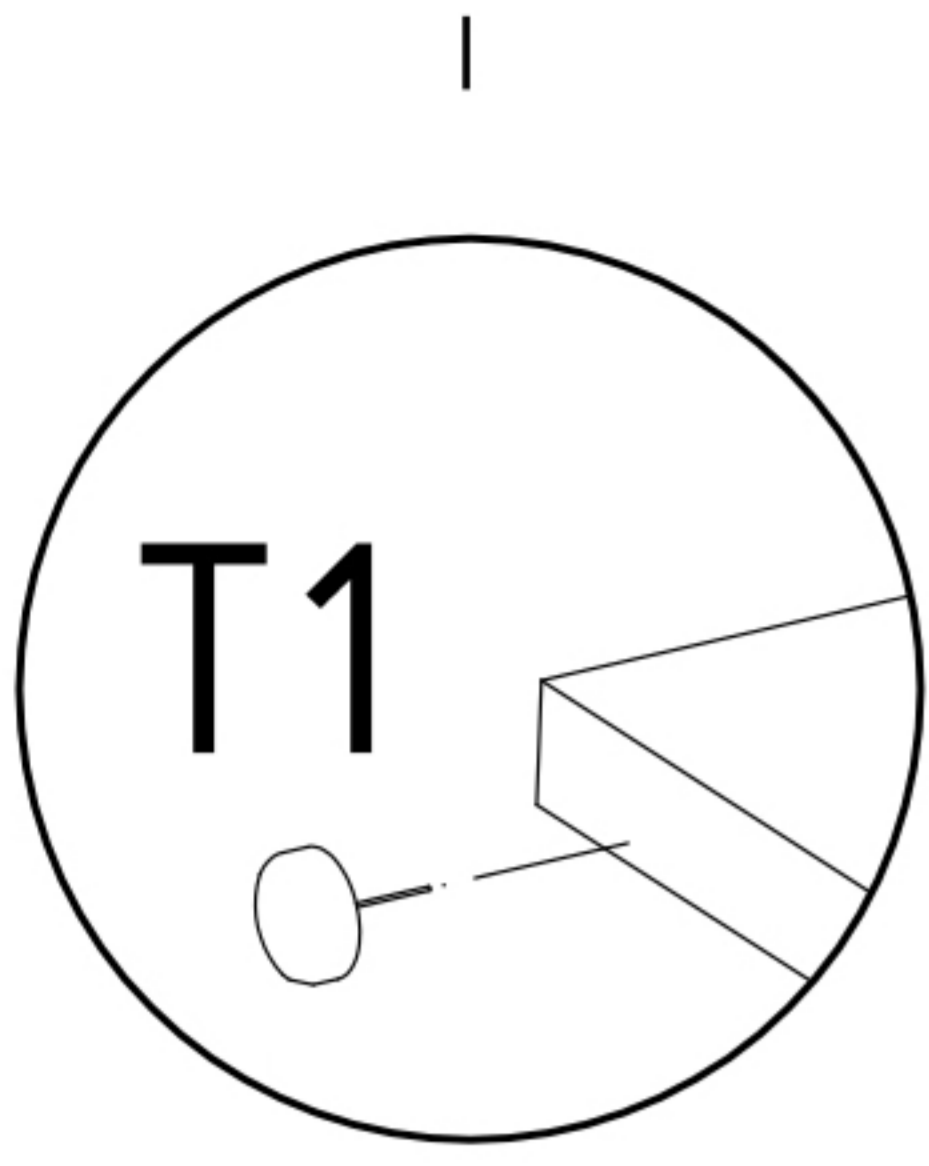
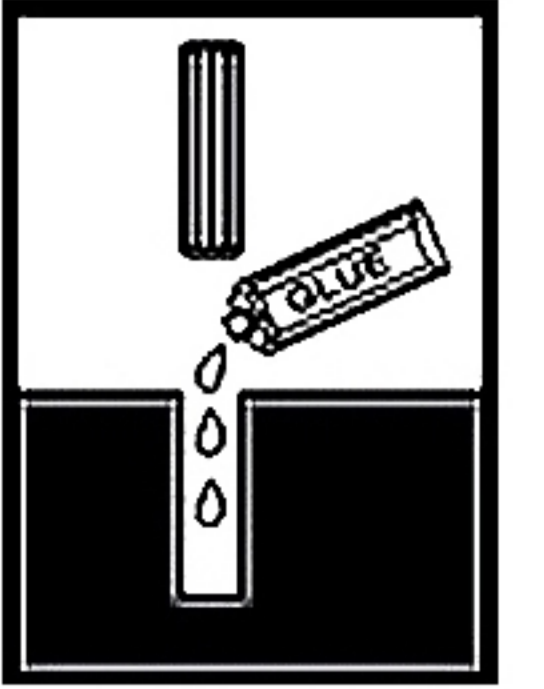


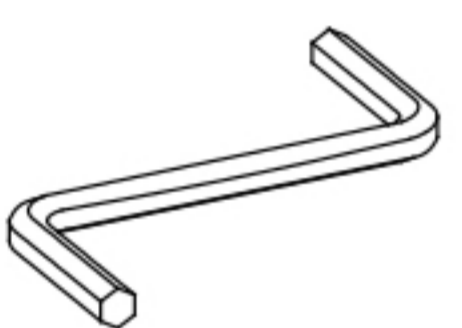
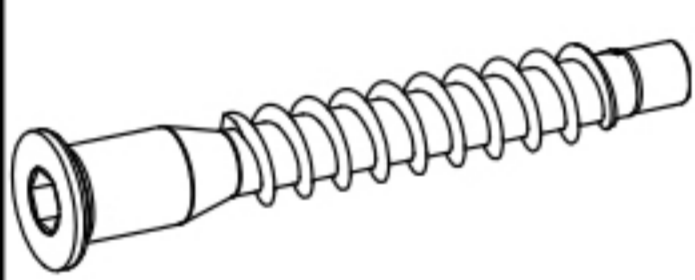


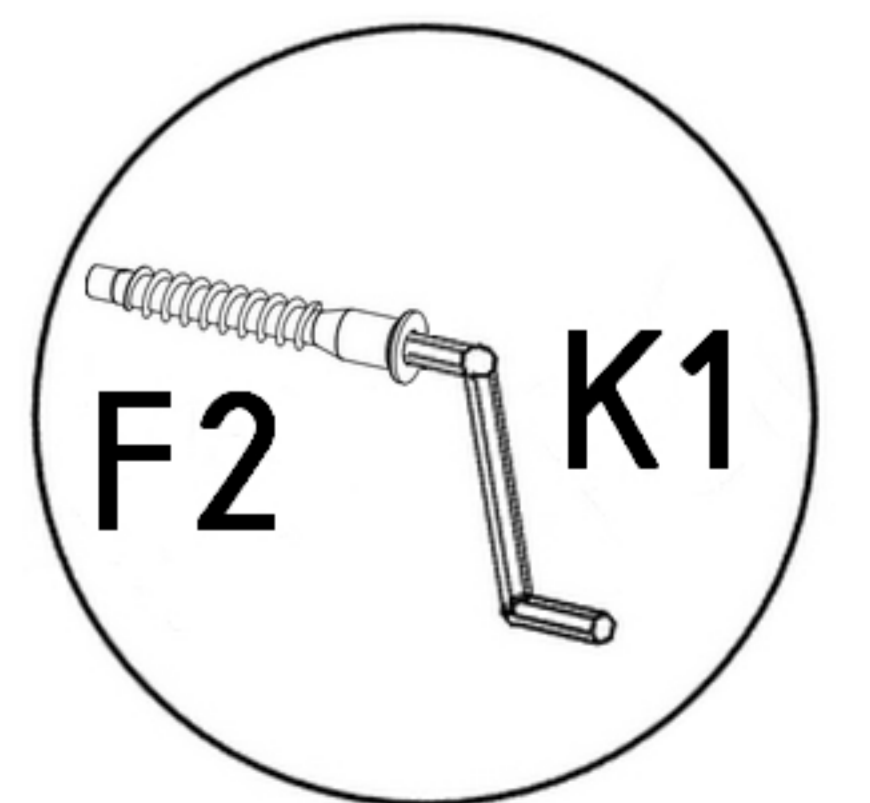
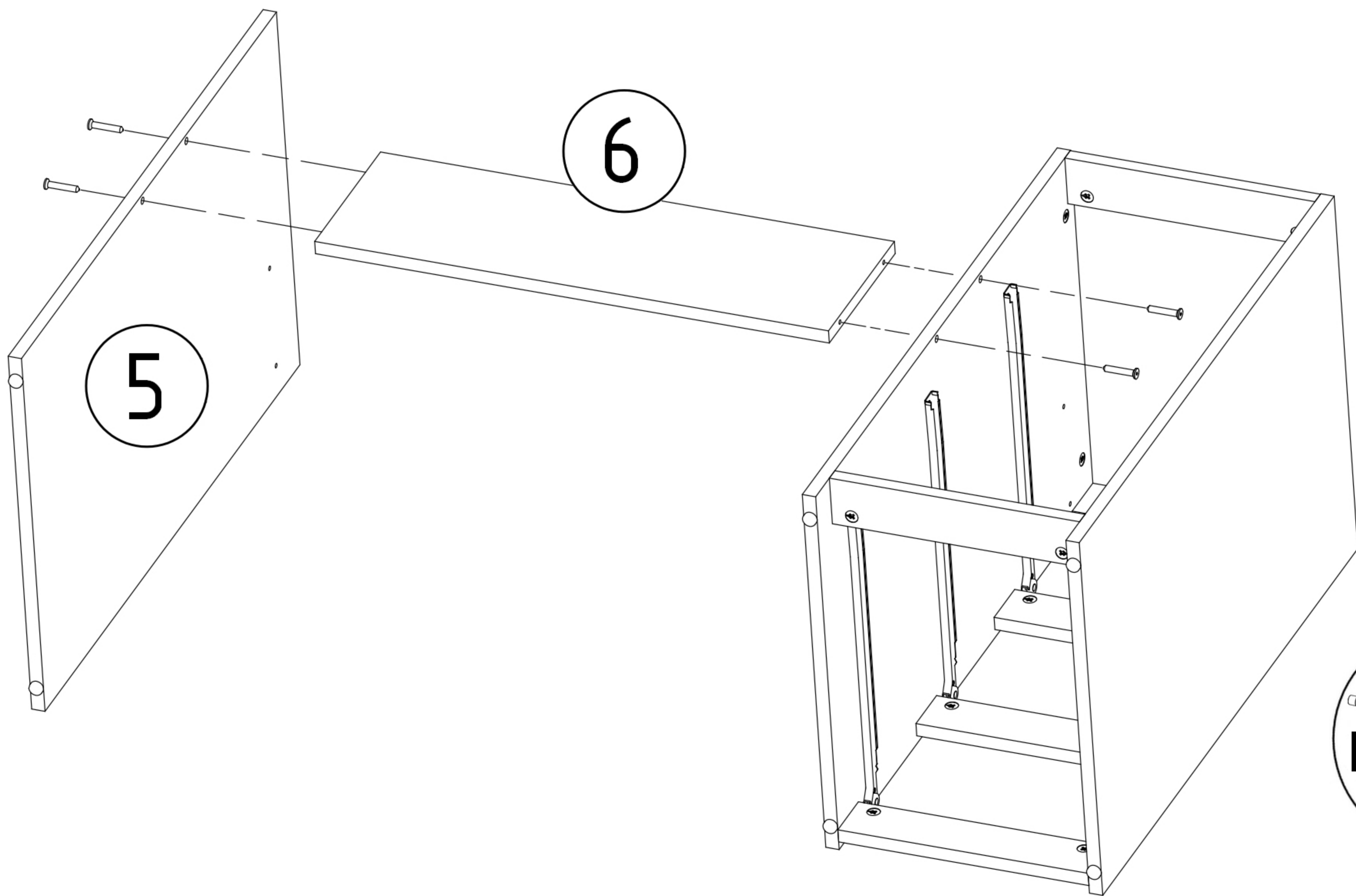
x6

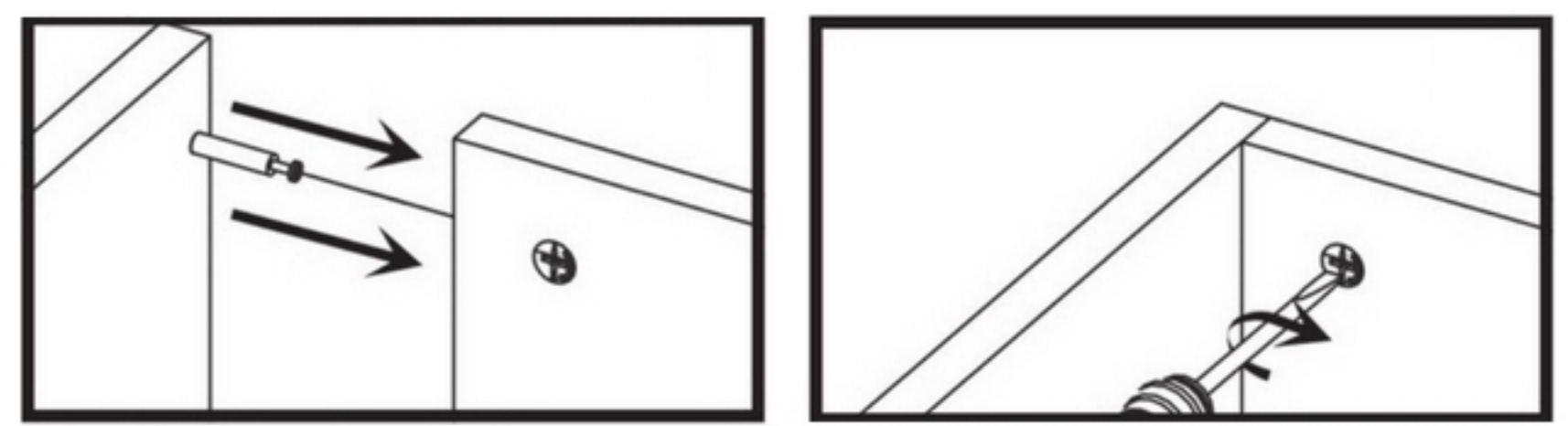
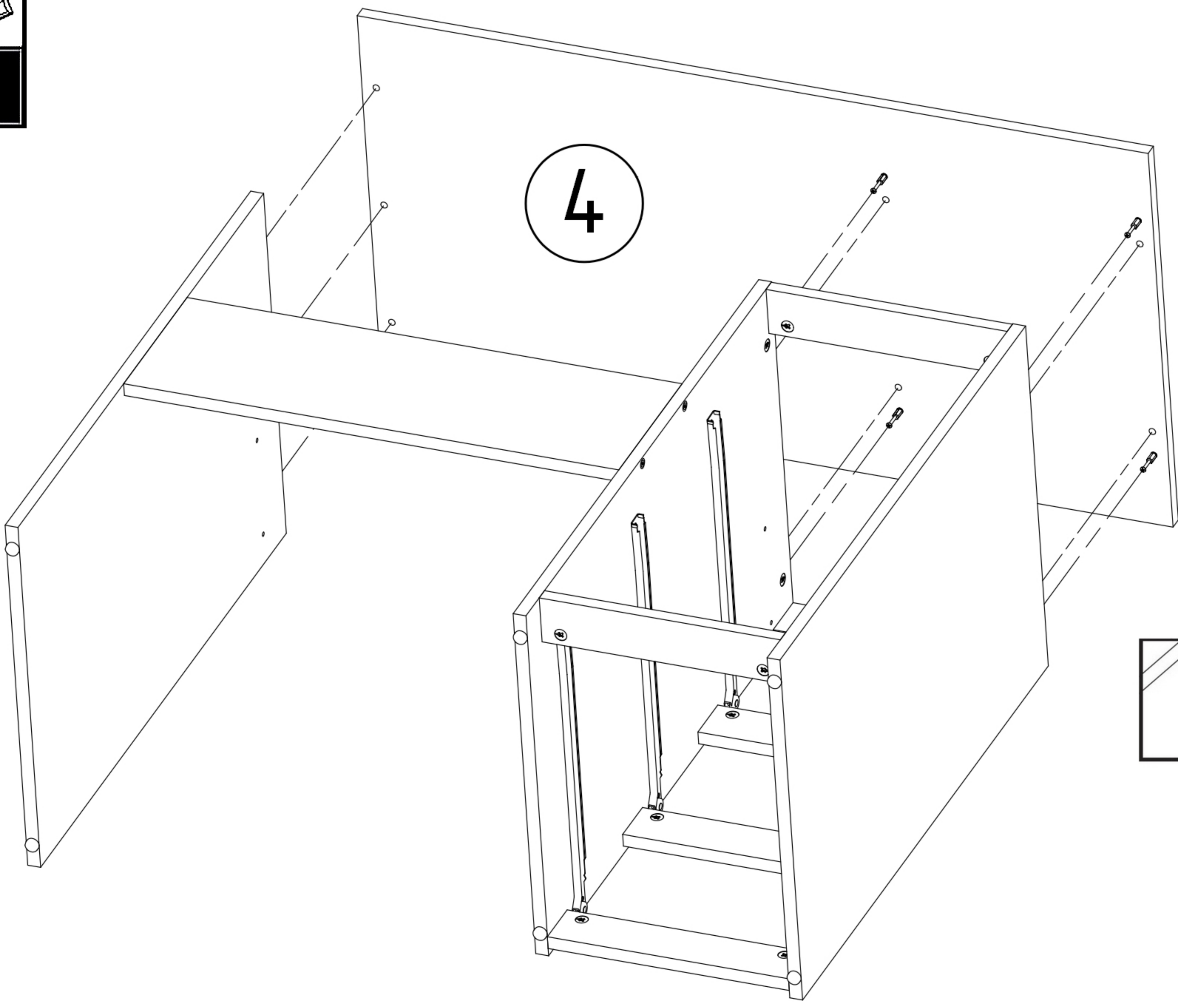
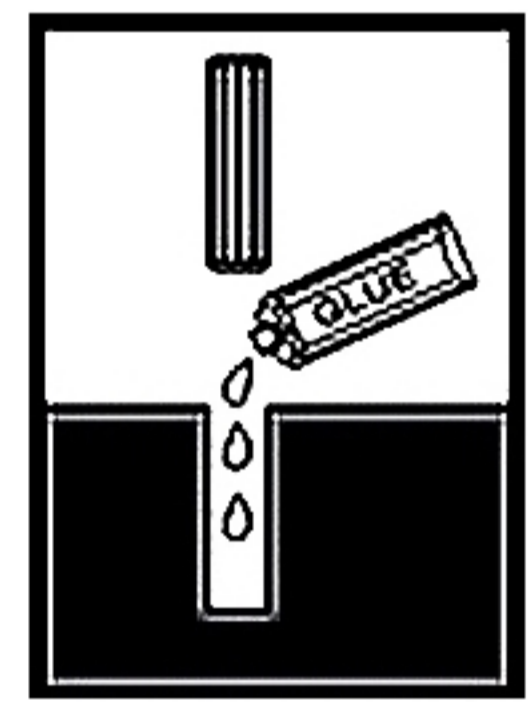
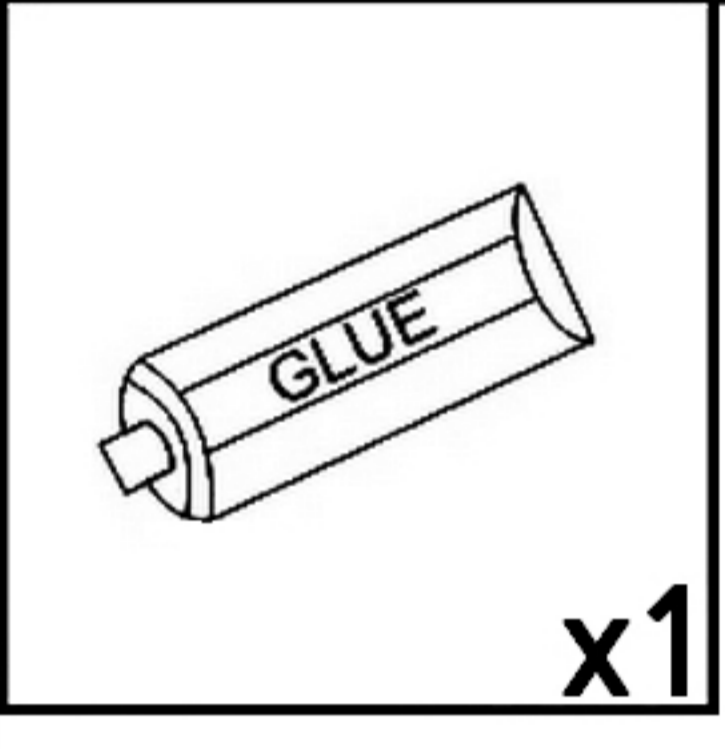
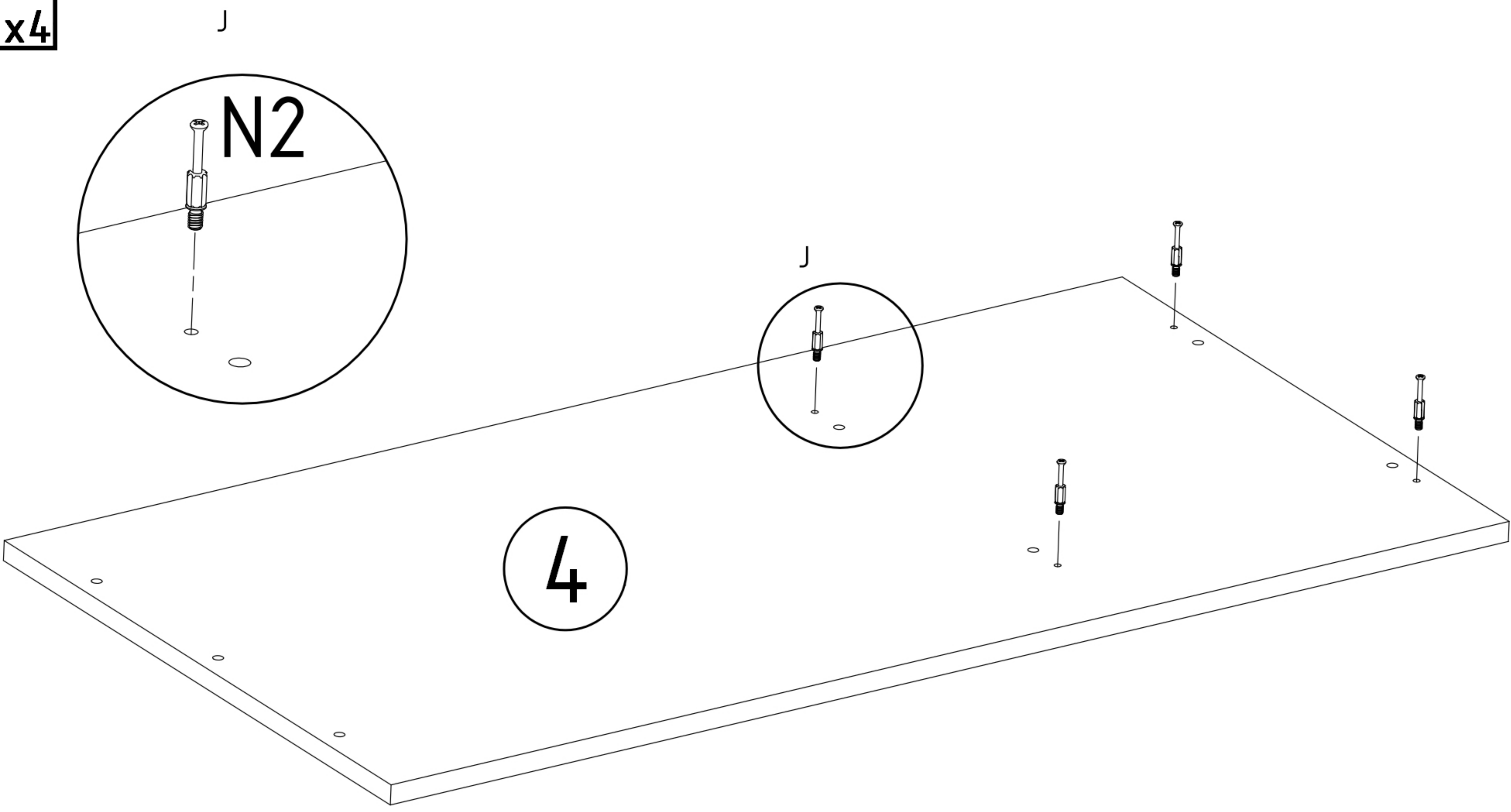
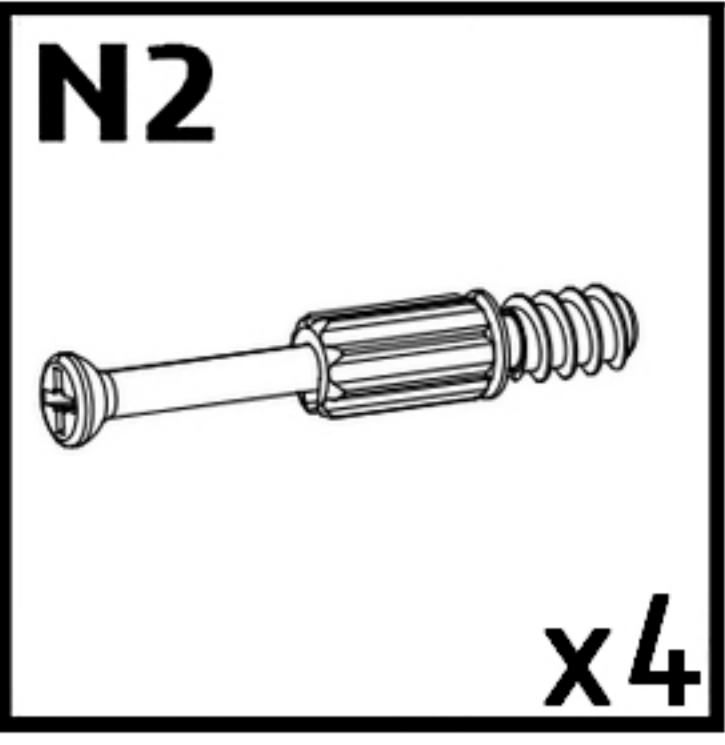


<b>T1</b>  x2	<b>E1</b>  x3
 x1	




<b>K1</b>  x1	<b>F2</b>  x4
---	--

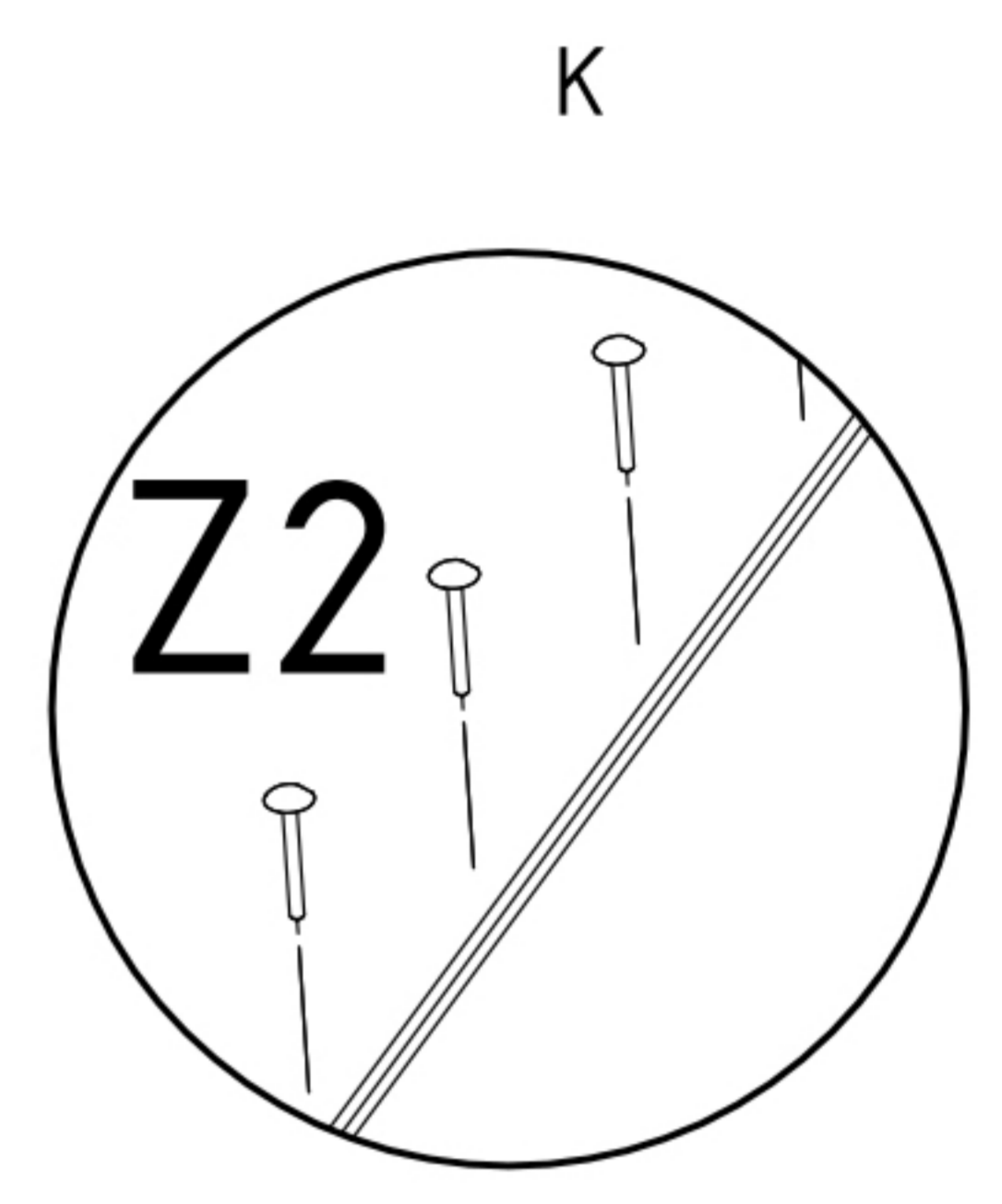
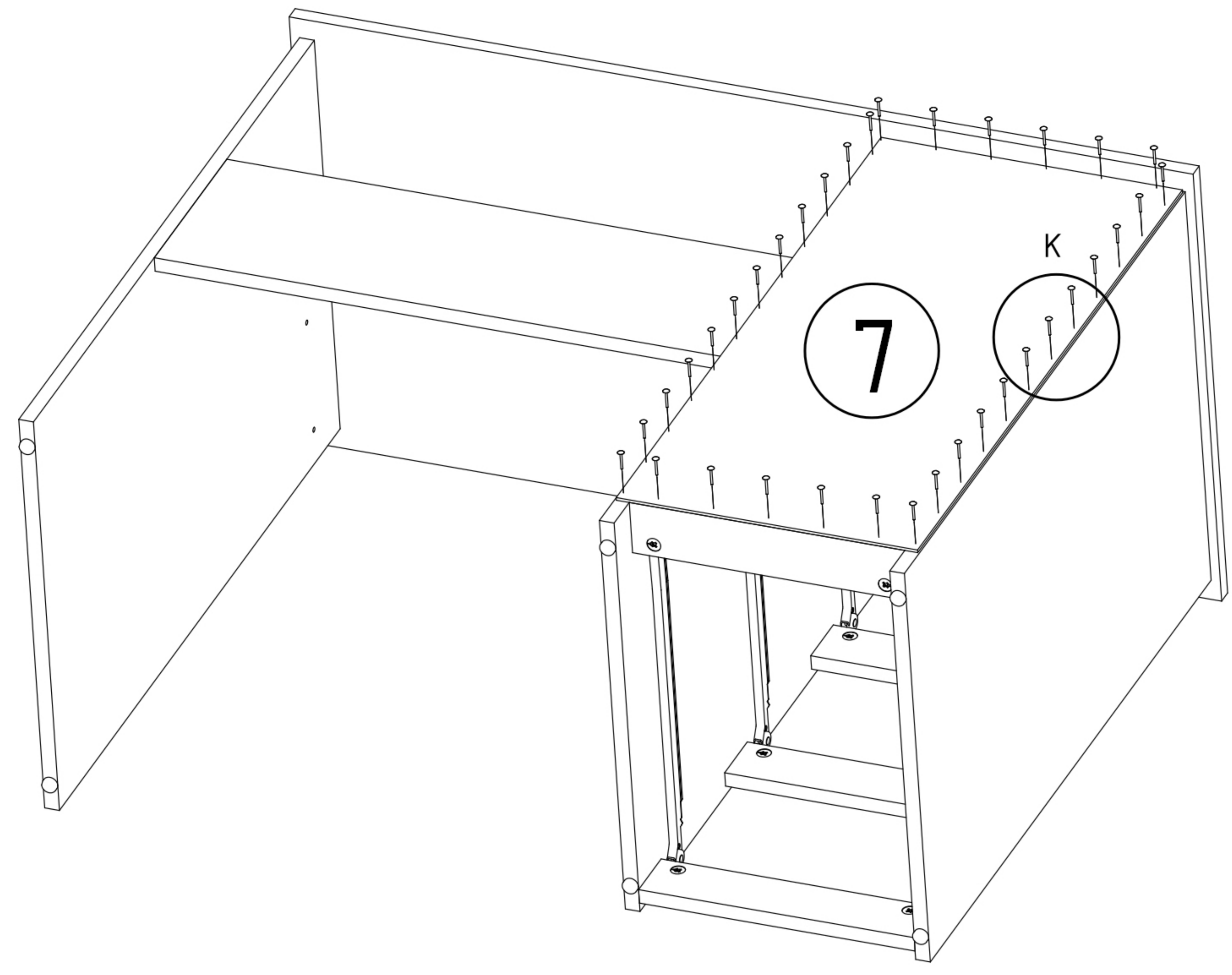
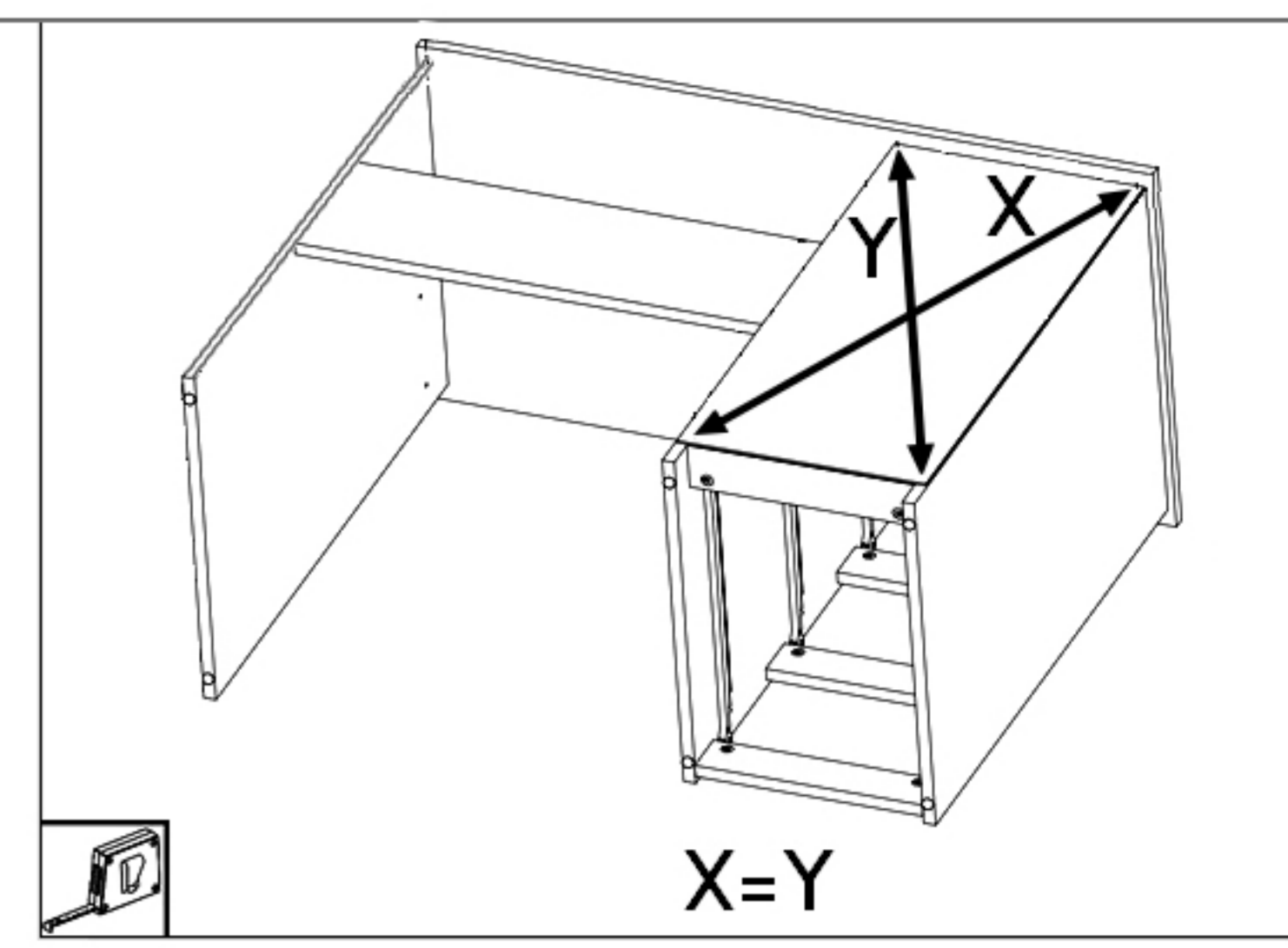



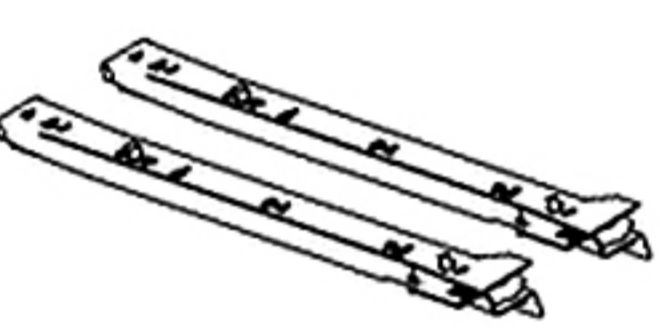



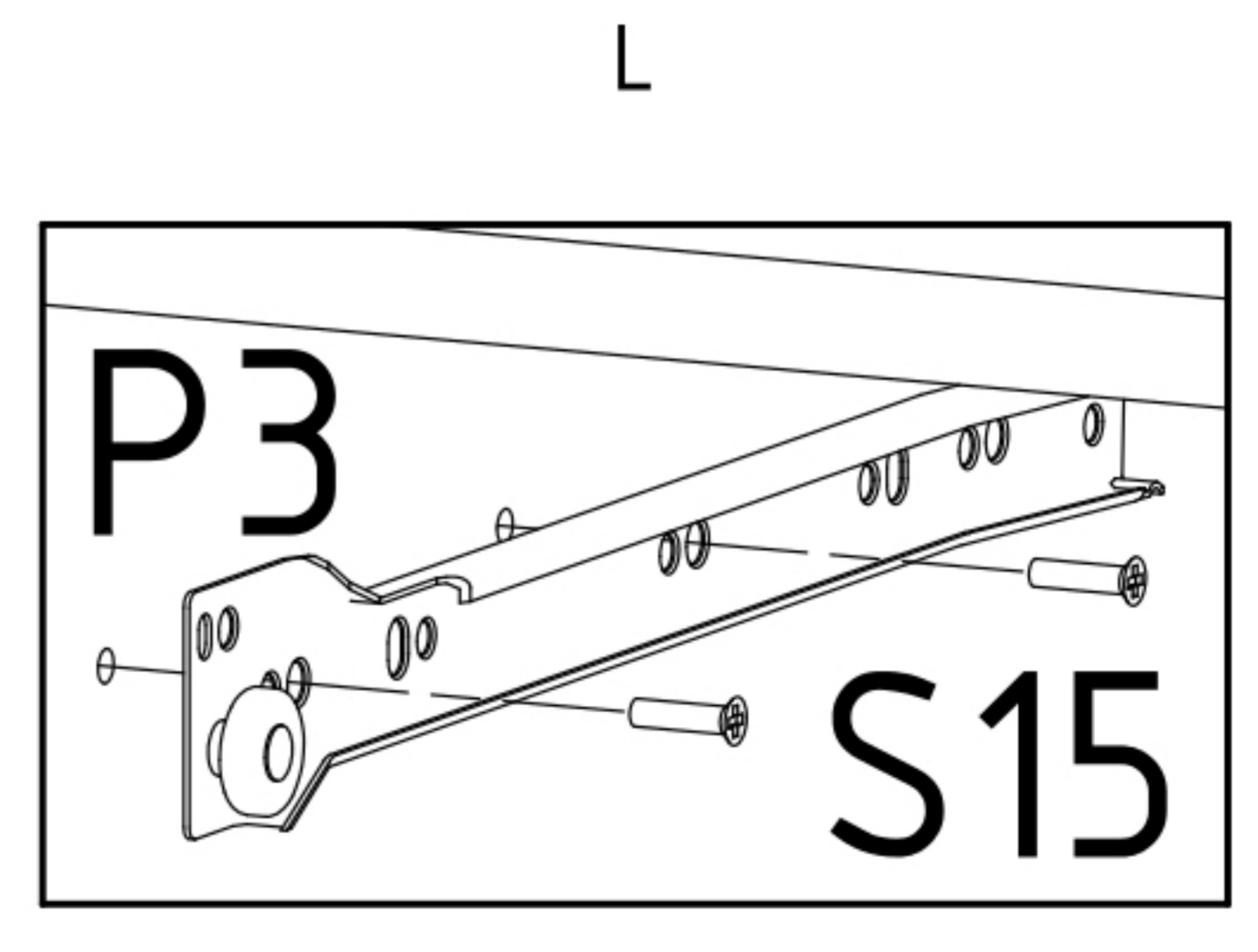
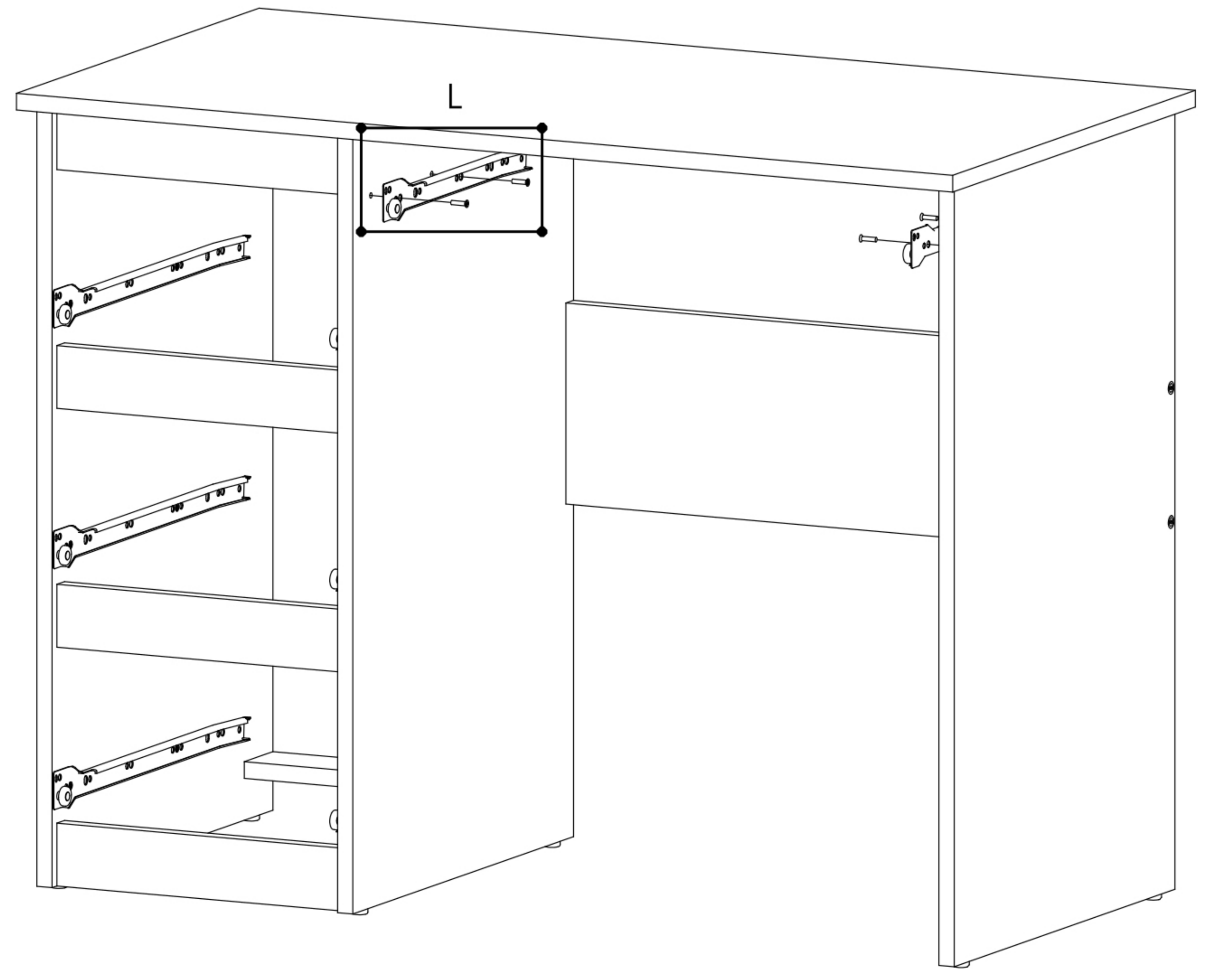
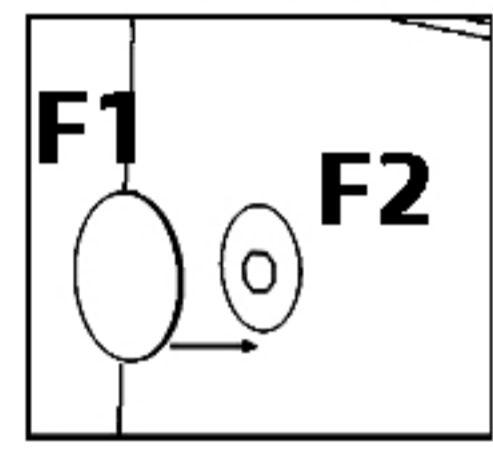
**Z2**

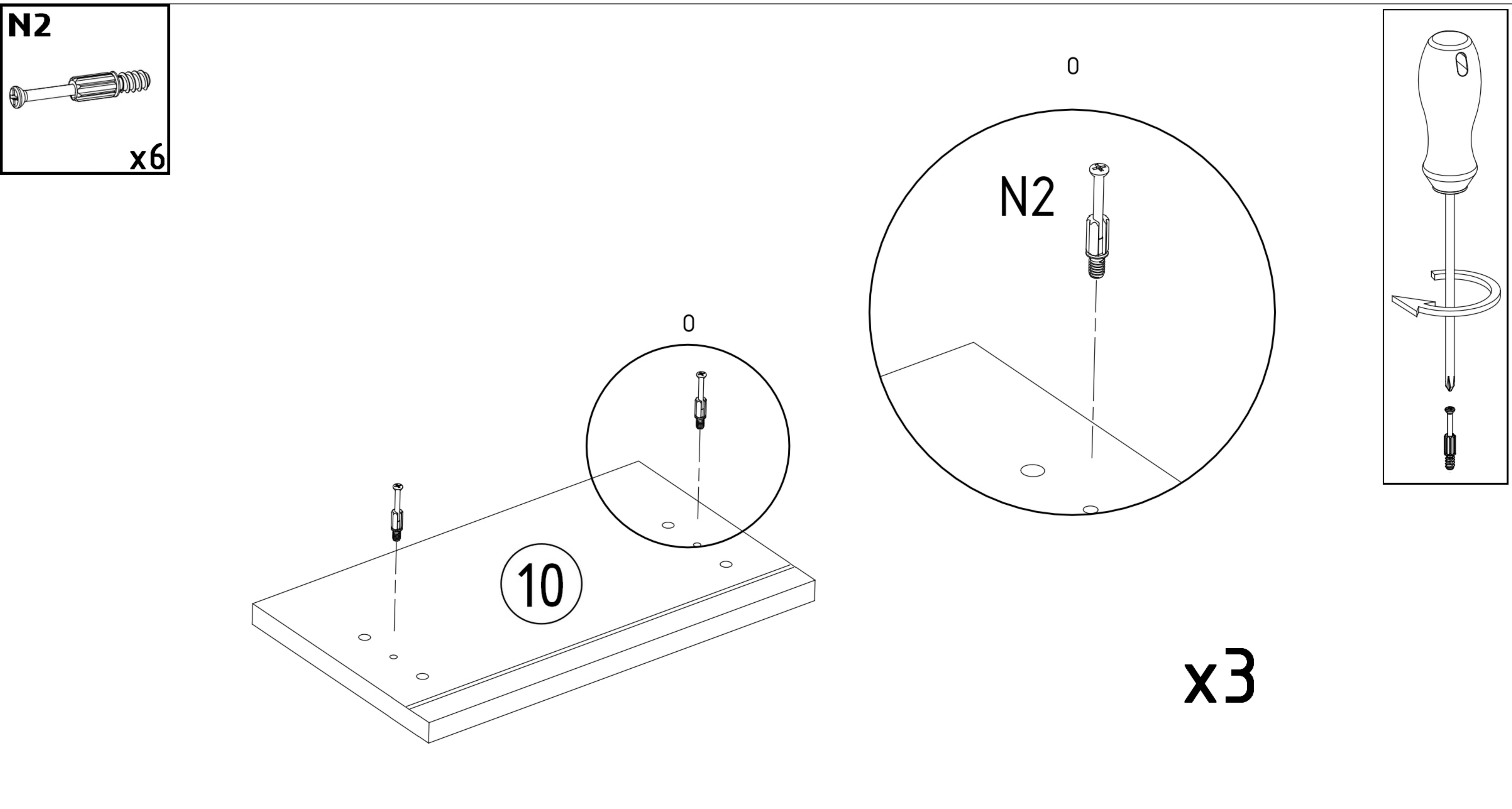
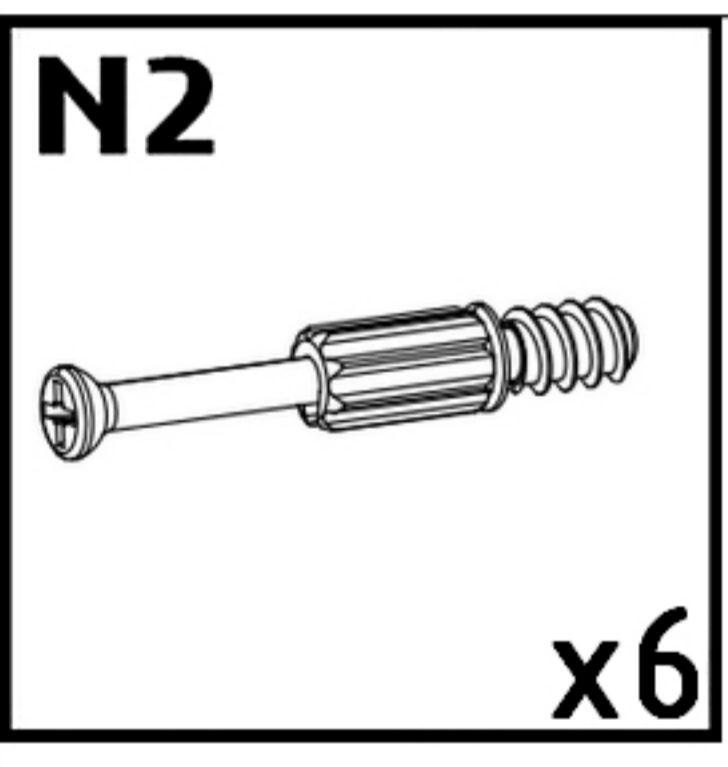
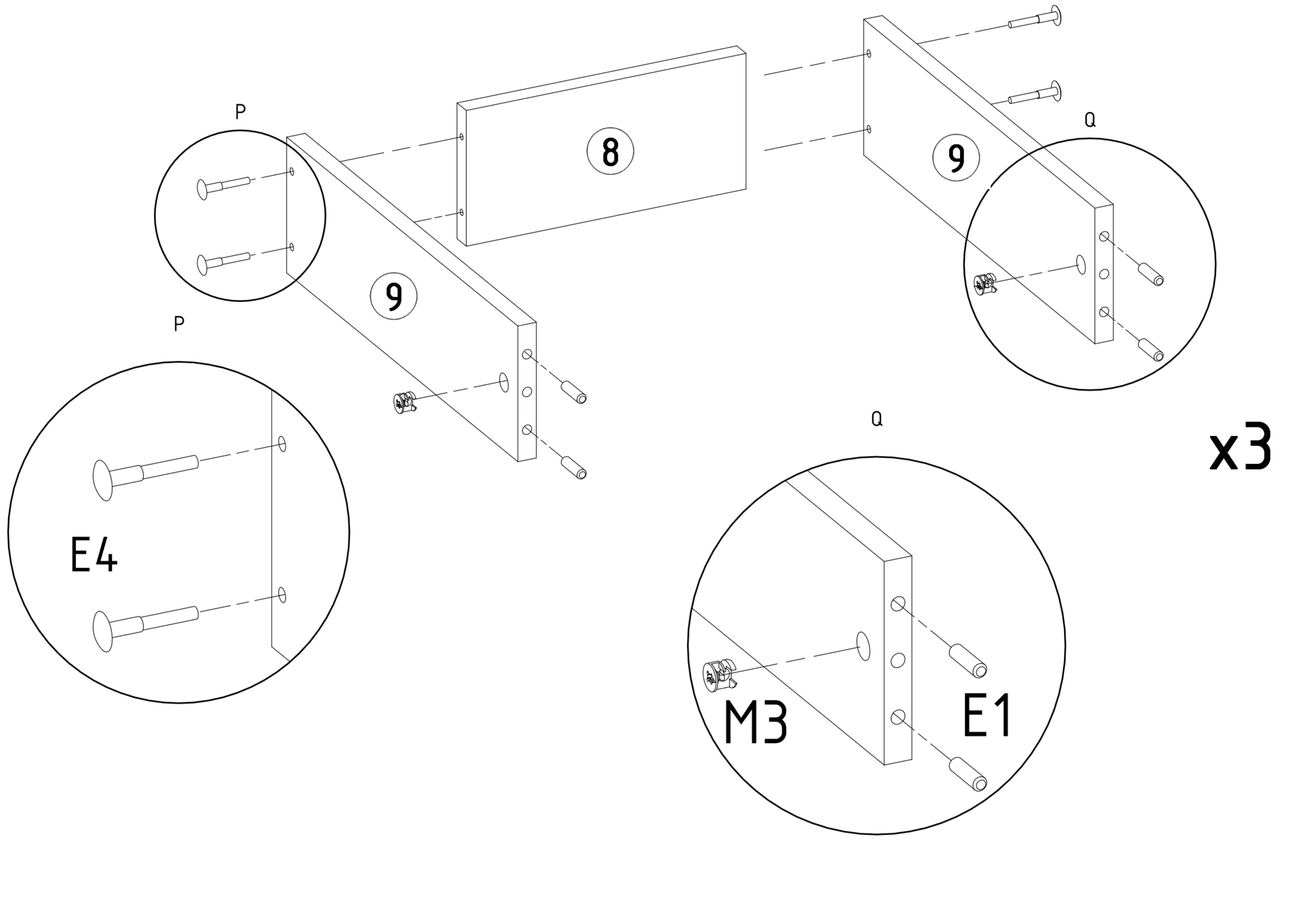
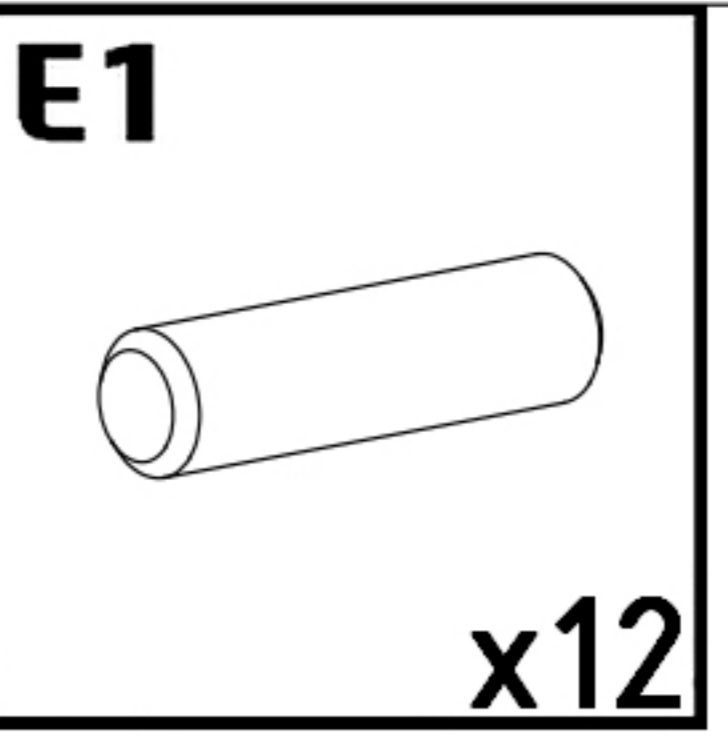
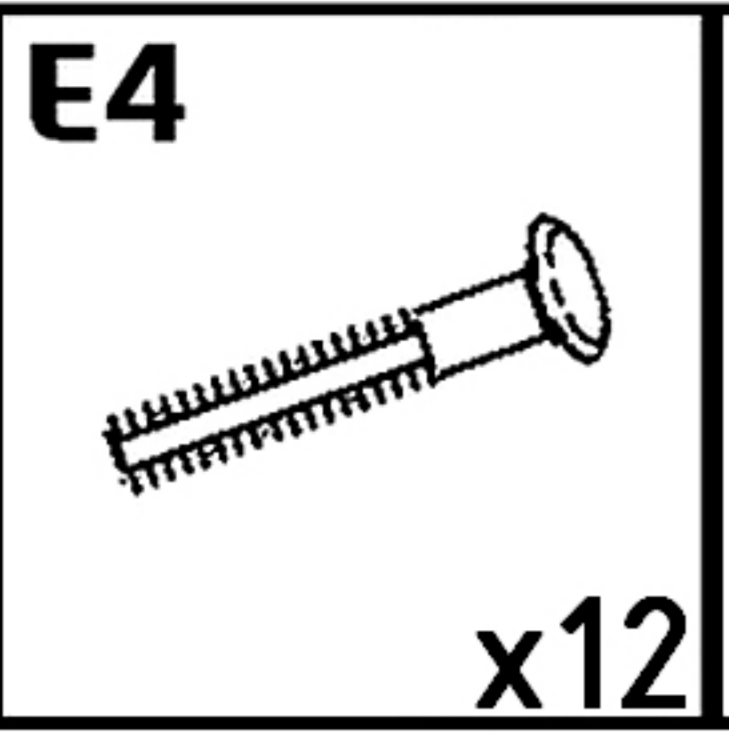
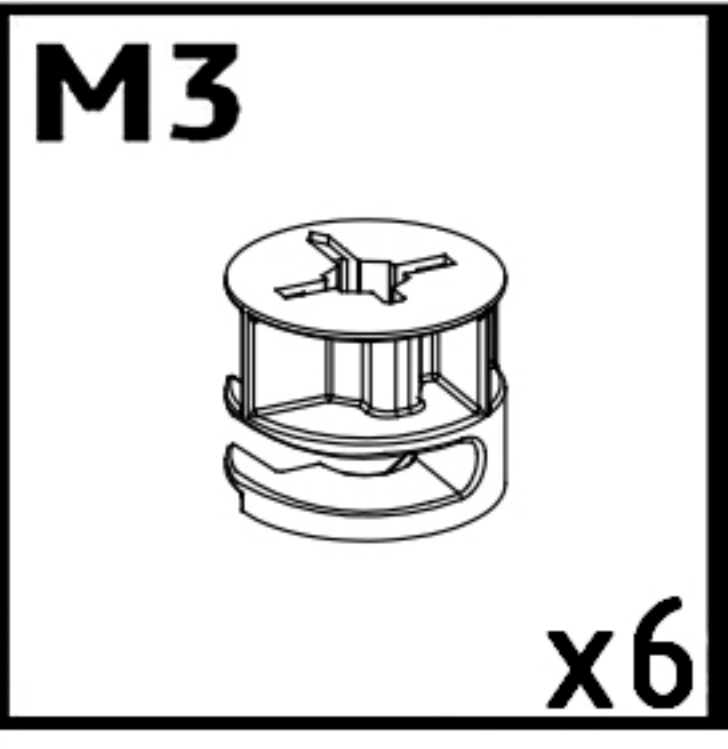


**x30**



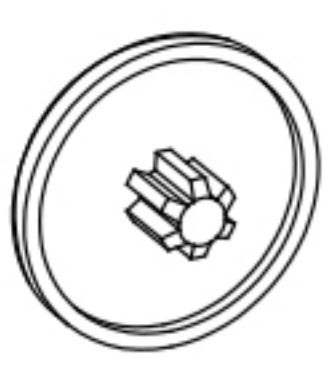
<p><b>F1</b></p>  <p><b>x2</b></p>	<p><b>P3</b></p>  <p><b>x1</b></p>	<p><b>S15</b></p>  <p><b>x4</b></p>
---	---	--



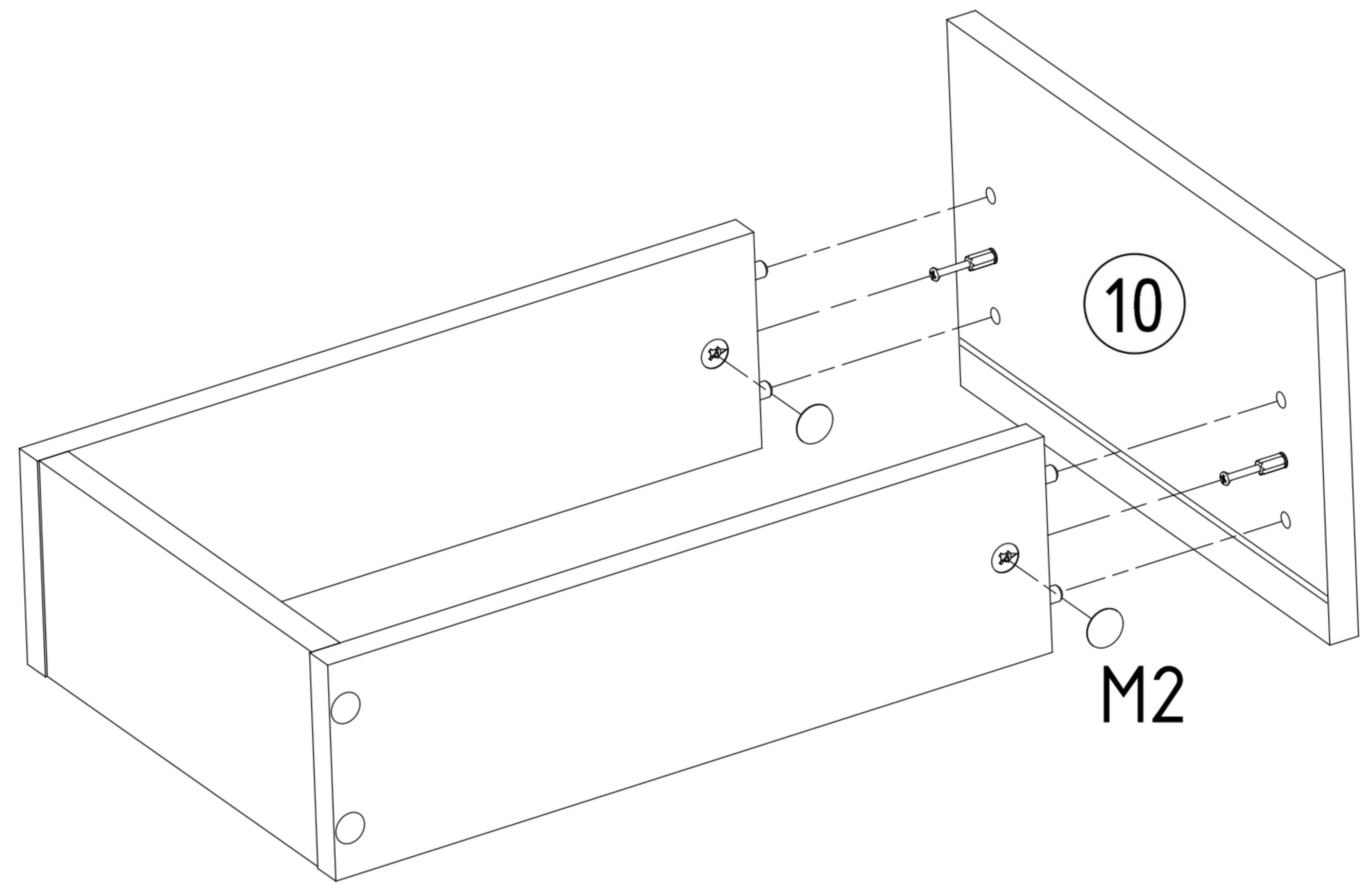
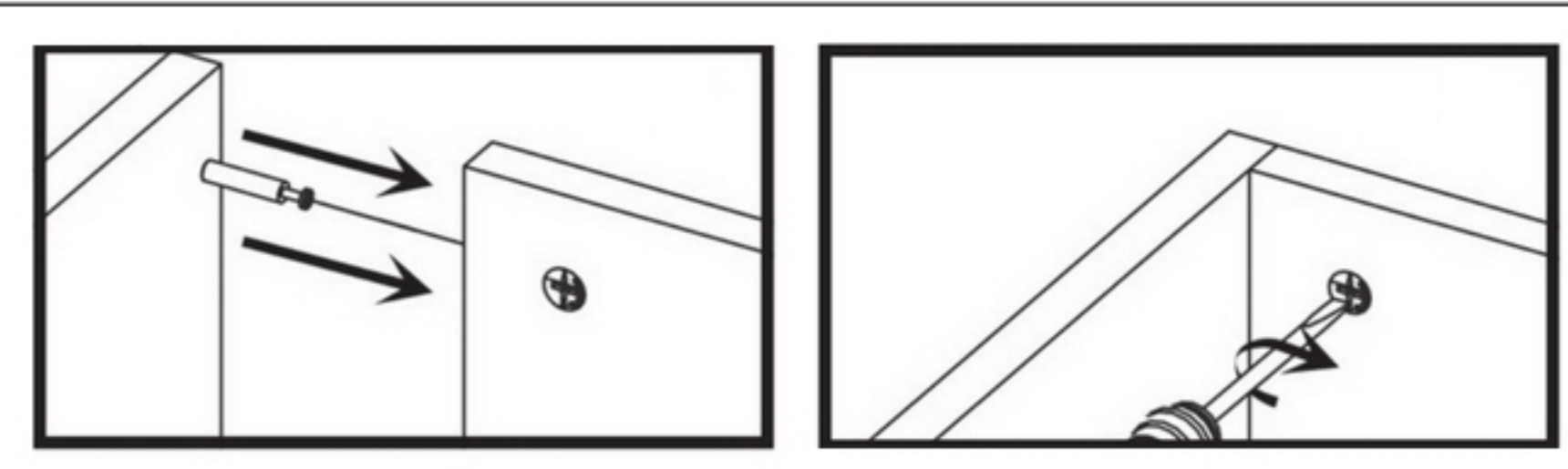




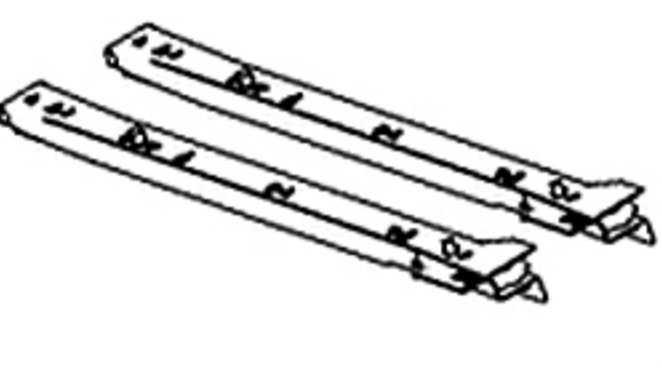


**M2**

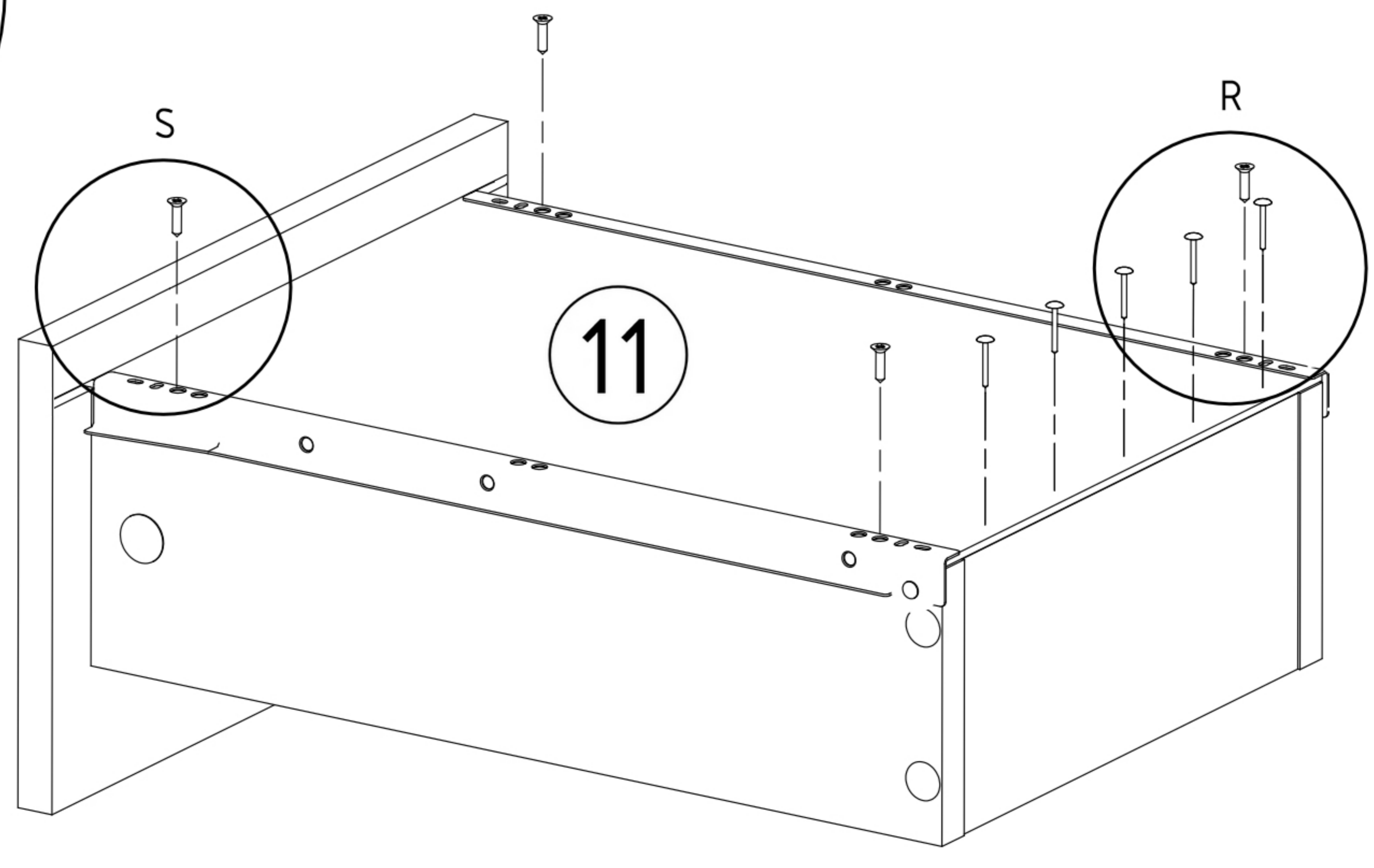
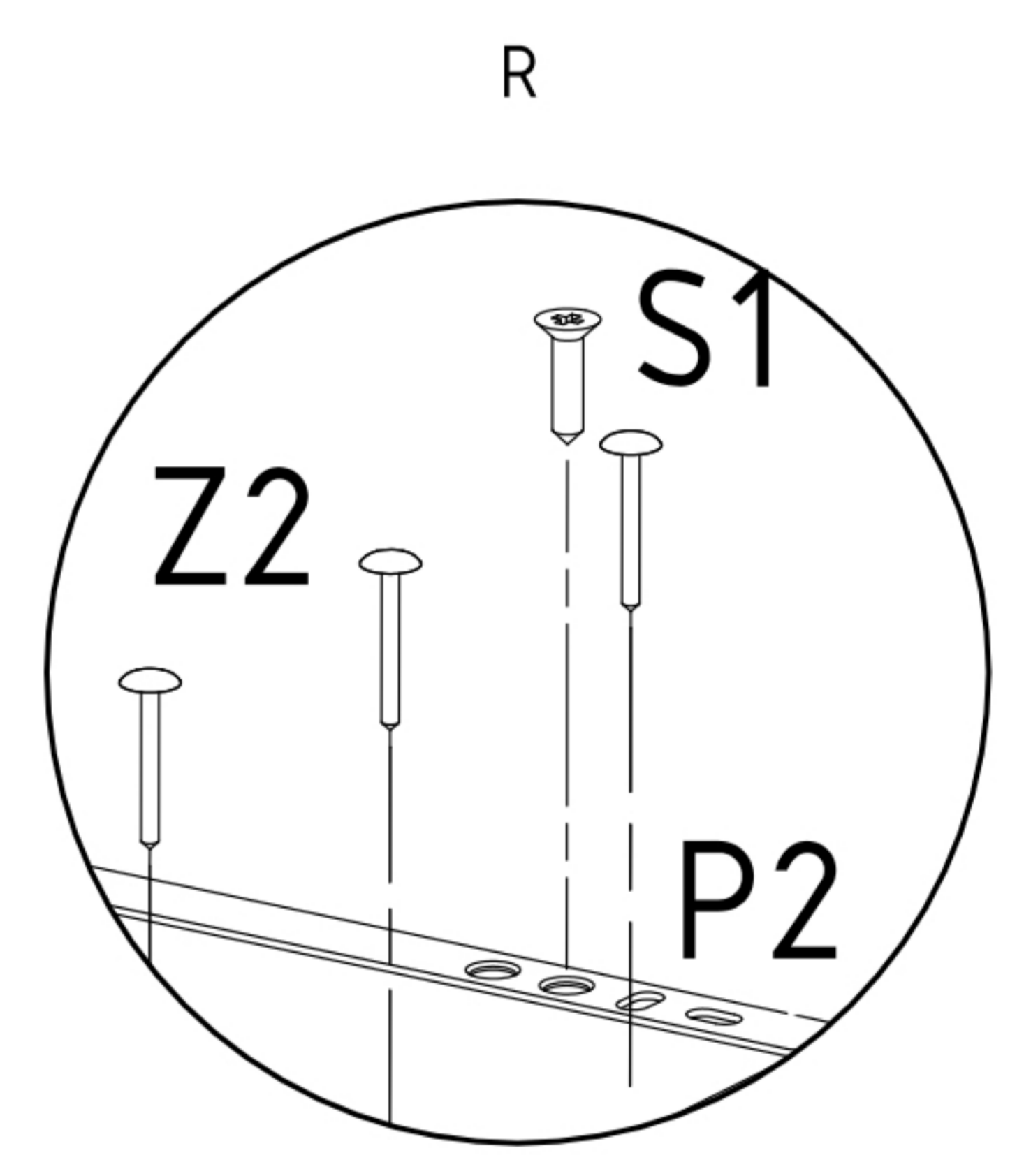
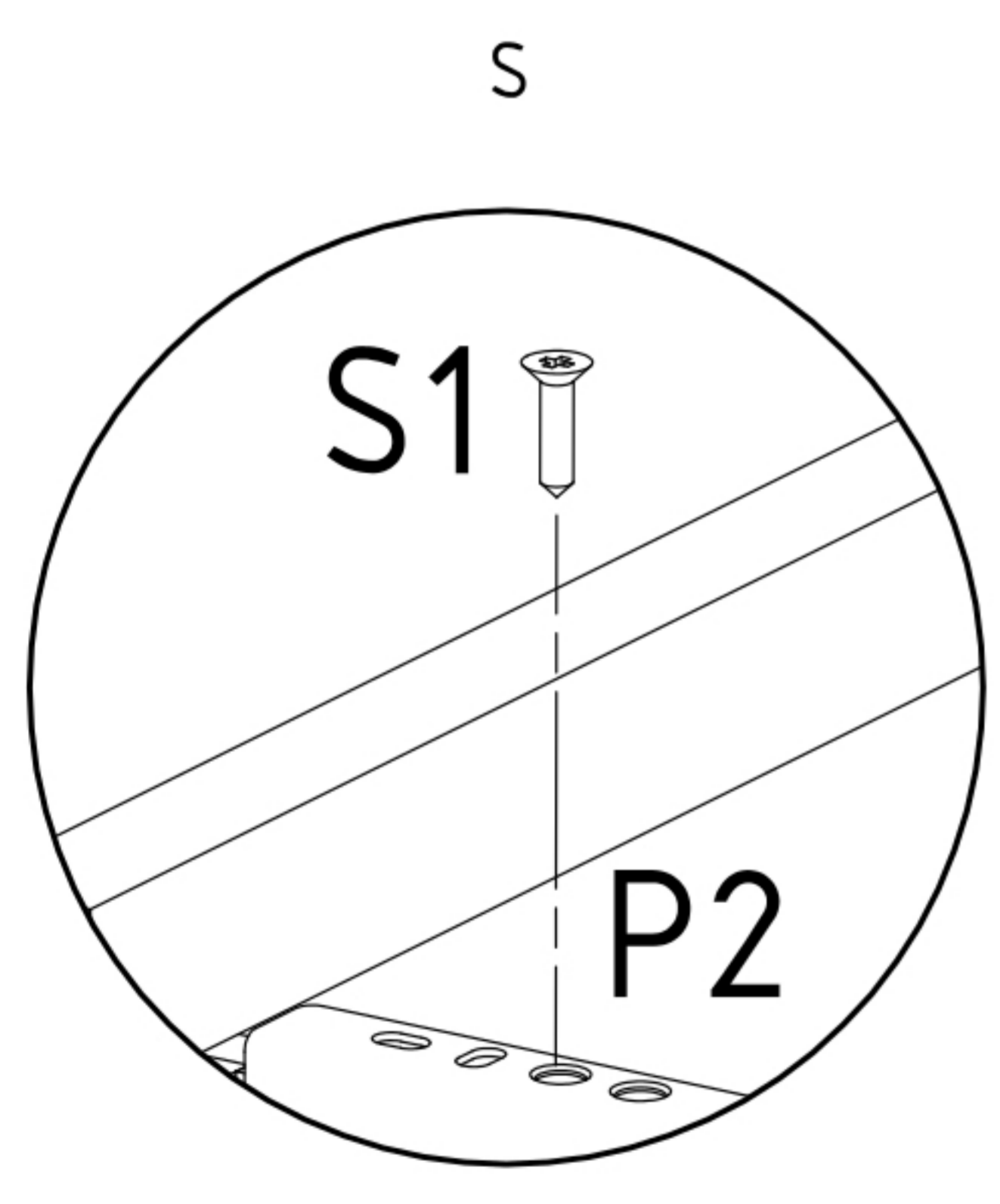


**x6**



**x3**

<p><b>P2</b></p>  <p><b>x3</b></p>	<p><b>S1</b></p>  <p><b>x12</b></p>	<p><b>Z2</b></p>  <p><b>x15</b></p>
--	--	--



**x3**

