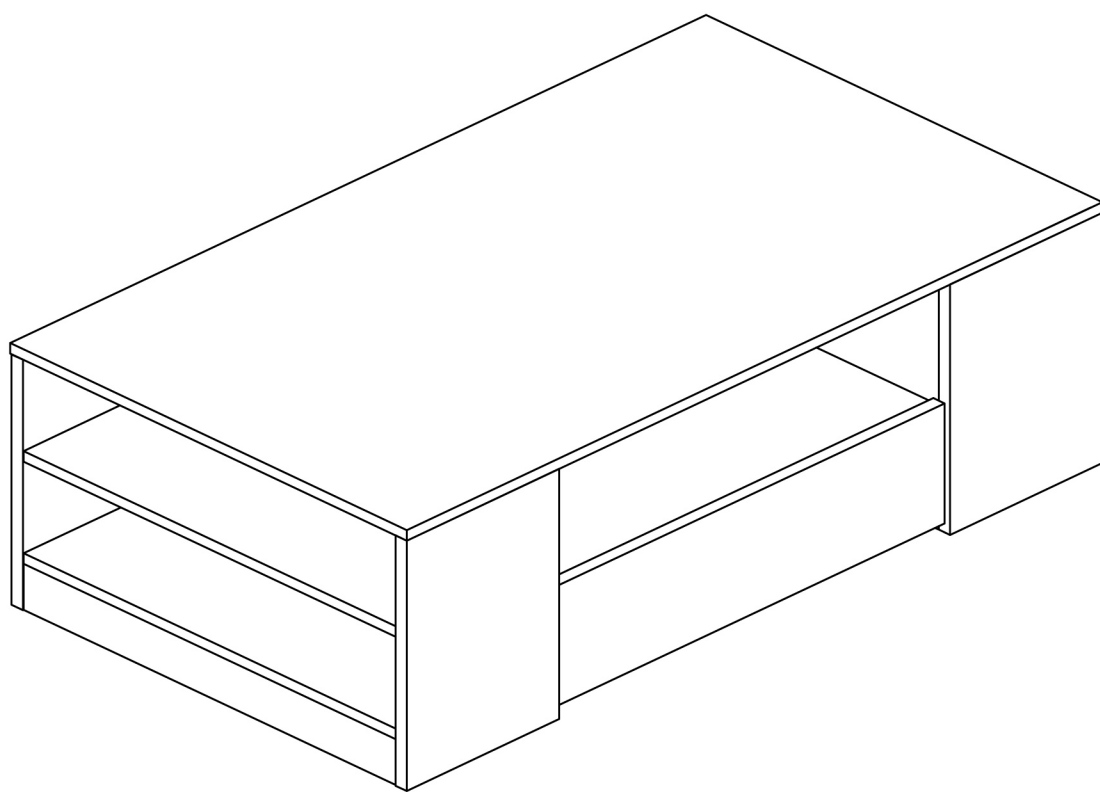


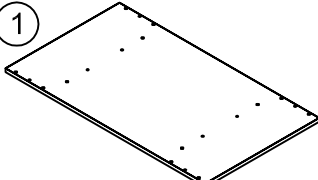
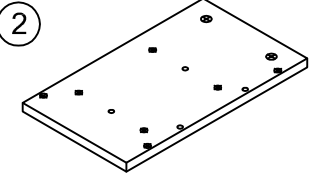
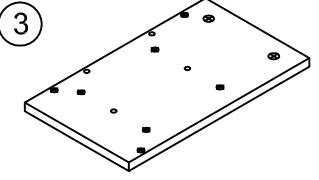
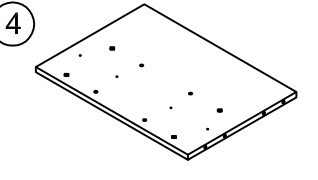
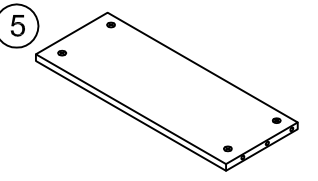
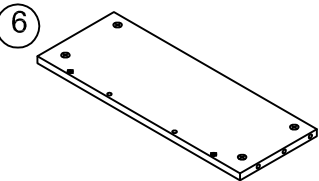
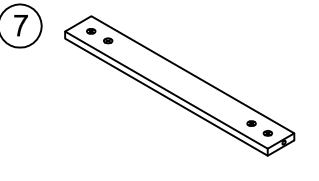
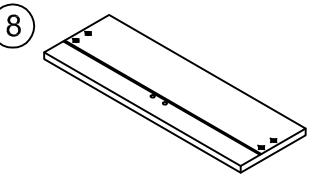
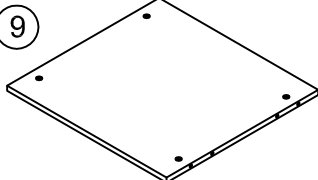
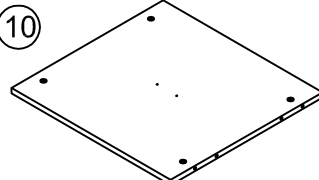
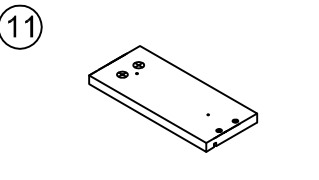
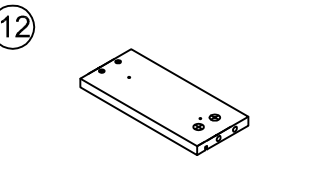
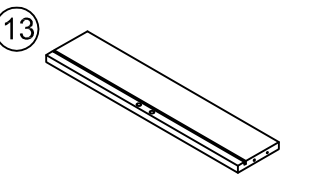
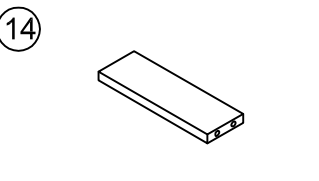
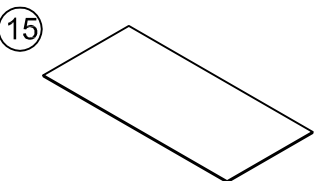
CE



**WF283904**

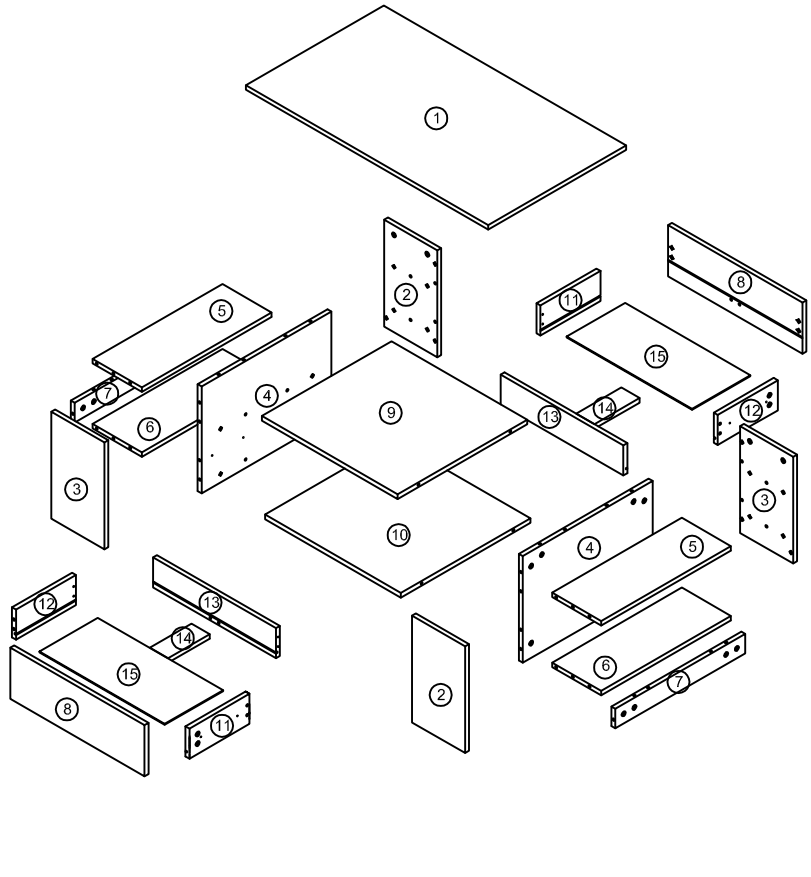
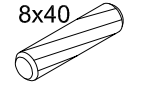


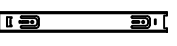
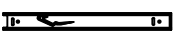
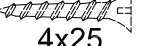
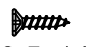
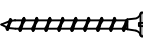
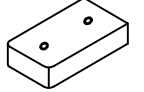

# WF283904

P.2

 <p>① 930x530x15 1pcs</p>	 <p>② 355x204x15 2pcs</p>	 <p>③ 355x204x15 2pcs</p>	 <p>④ 355x498x15 2pcs</p>
 <p>⑤ 498x188x15 2pcs</p>	 <p>⑥ 498x188x15 2pcs</p>	 <p>⑦ 498x65x15 2pcs</p>	 <p>⑧ 170x515x15 2pcs</p>
 <p>⑨ 521x497x15 1pcs</p>	 <p>⑩ 521x497x15 1pcs</p>	 <p>⑪ 230x100x15 2pcs</p>	 <p>⑫ 230x100x15 2pcs</p>
 <p>⑬ 471x100x15 2pcs</p>	 <p>⑭ 214x70x15 2pcs</p>	 <p>⑮ 481x224x3 2pcs</p>	

# WF283904

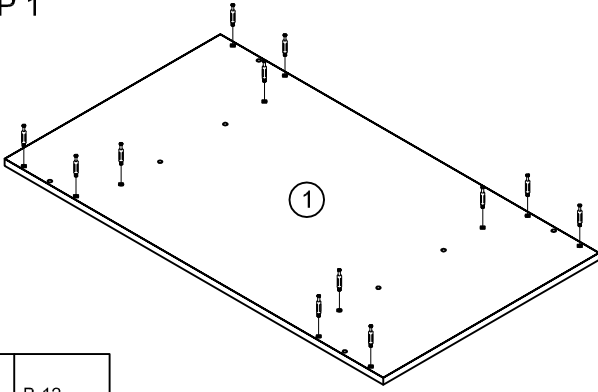
P.3

	 <p>8x40 A-44</p>	 <p>B-60</p>	 <p>C-60</p>
	 <p>D-4</p>	 <p>E-4</p>	 <p>4x25 F-2</p>
	 <p>3.5x14 G-16</p>	 <p>3.5x35 H-8</p>	 <p>I-1</p>
	 <p>J-1</p>		

# WF283904

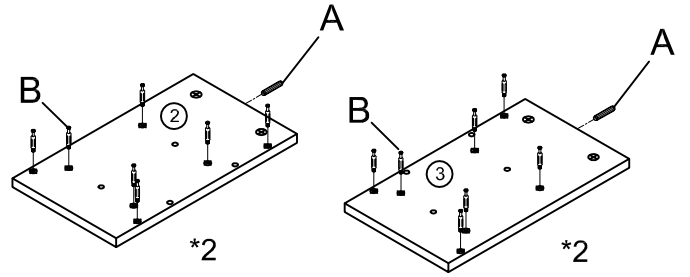
P.4

STEP 1



B-12

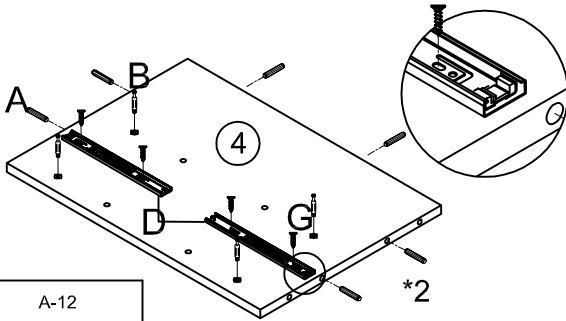
STEP 2



A-4

B-28

STEP 3



A-12



D-4



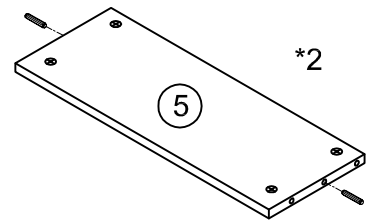
G-8



B-8



STEP 4

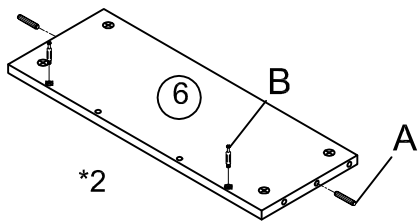


A-4

# WF283904

P.5

STEP 5

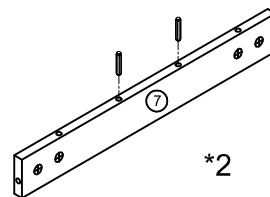


A-4



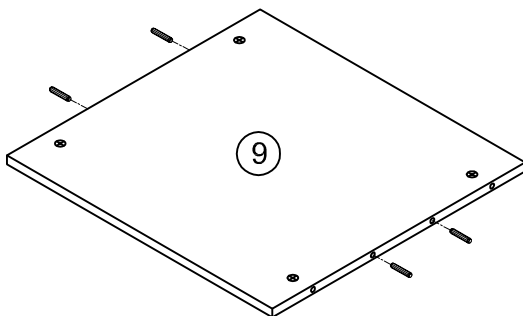
B-4

STEP 6



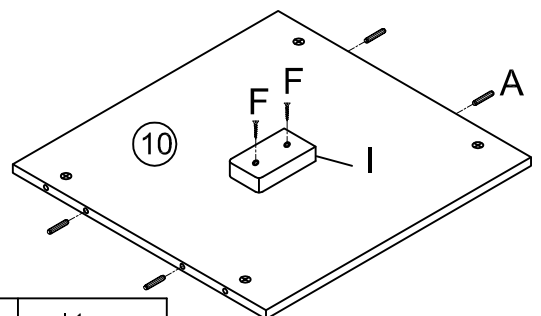
A-4

STEP 7



A-4

STEP 8



I-1



A-4

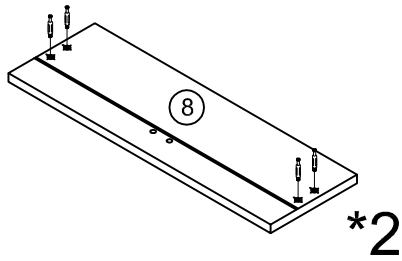


F-2

# WF283904

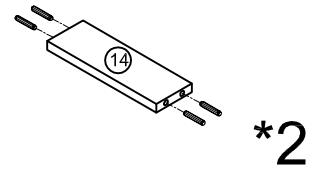
P.6

STEP 9



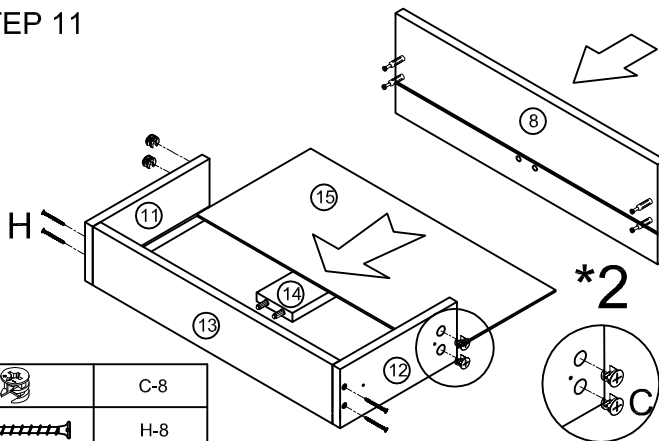
B-8

STEP 10

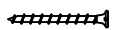


A-8

STEP 11

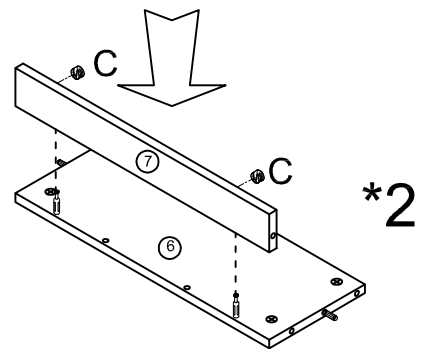


C-8



H-8

STEP 12

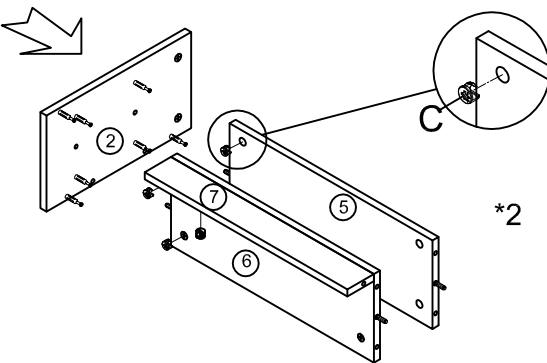


C-4

# WF283904

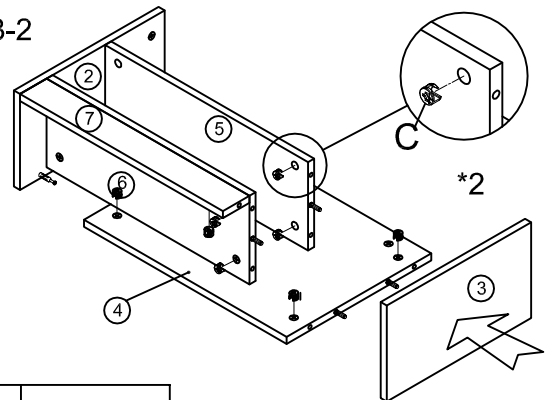
P.7

STEP 13-1



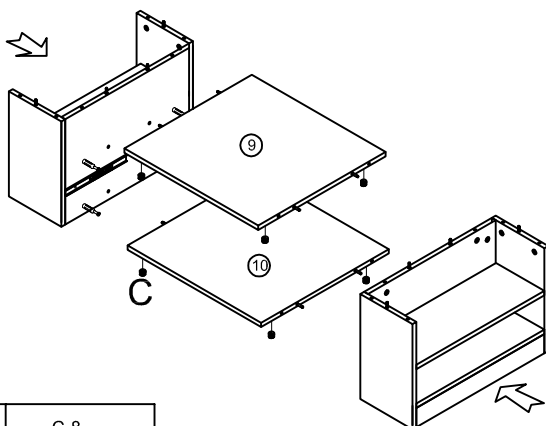
C-10

STEP 13-2



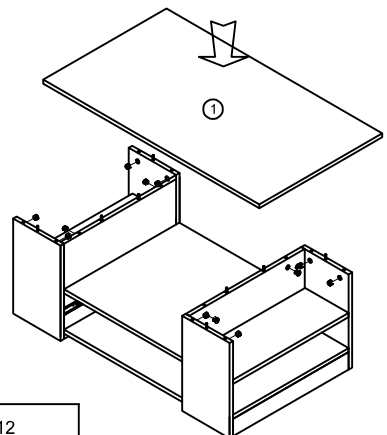
C-18

STEP 14



C-8

STEP 15

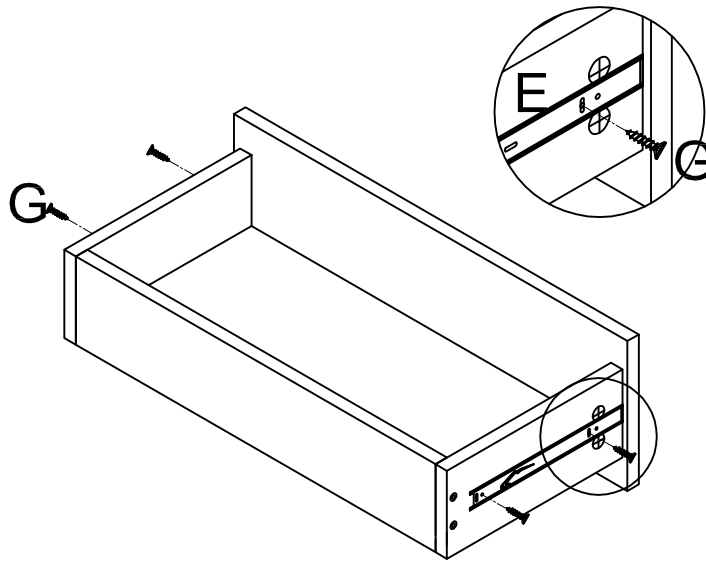



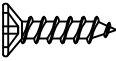
C-12

# WF283904

P.8

STEP 16

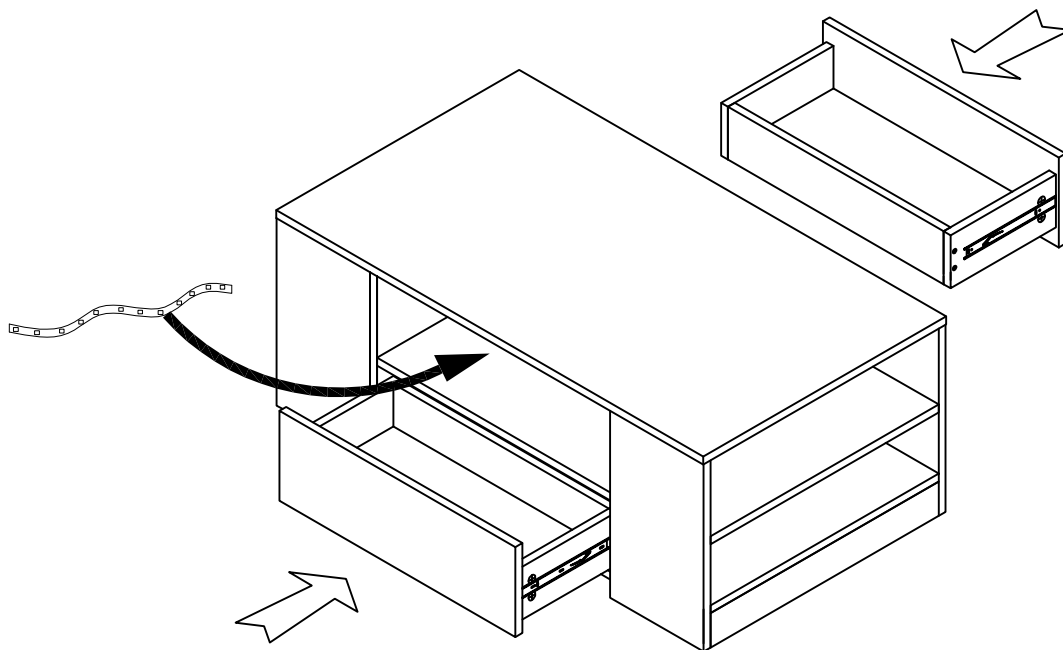


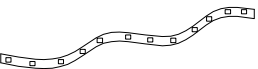
	E-4
	G-8

# WF283904

P.9

STEP 17



	J-1
--	-----