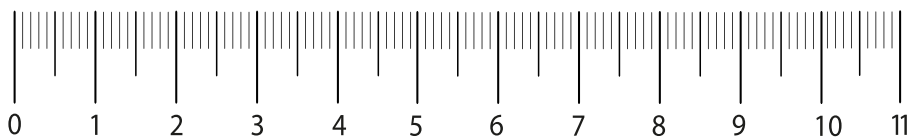
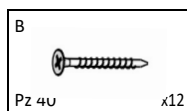
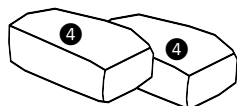
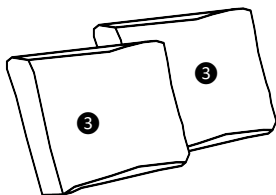
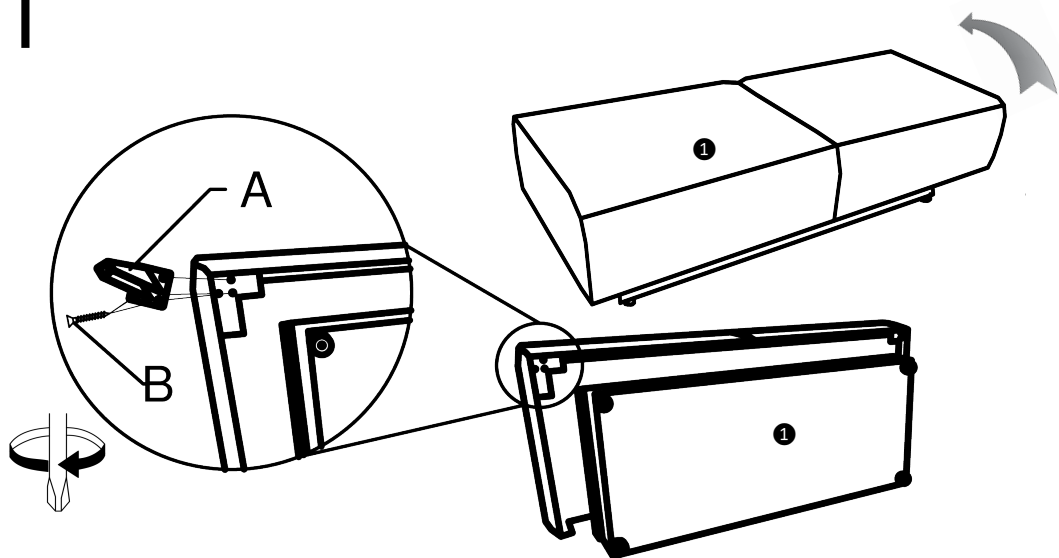


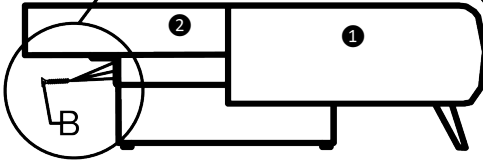
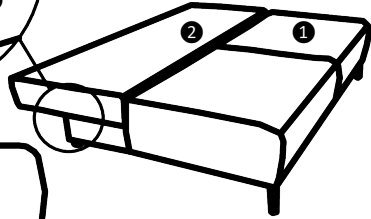
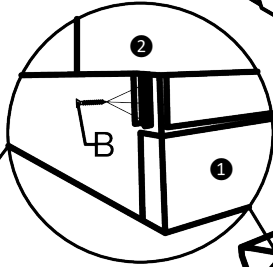
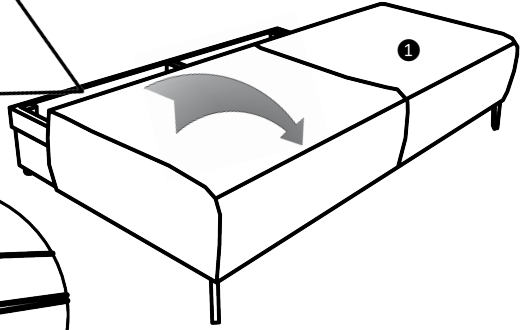
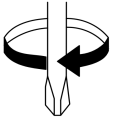
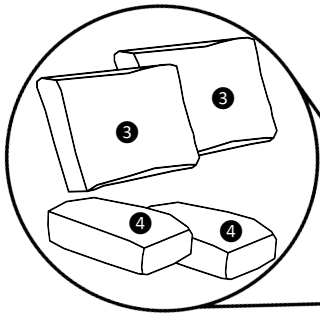
	↔	↕	↗	PCS	♻️
①	2000	780	490	x1	1/2
②	2000	730	250	x1	2/2
③	680	500	200	x2	1/2
④	680	300	150	x2	1/2



1



2



3

