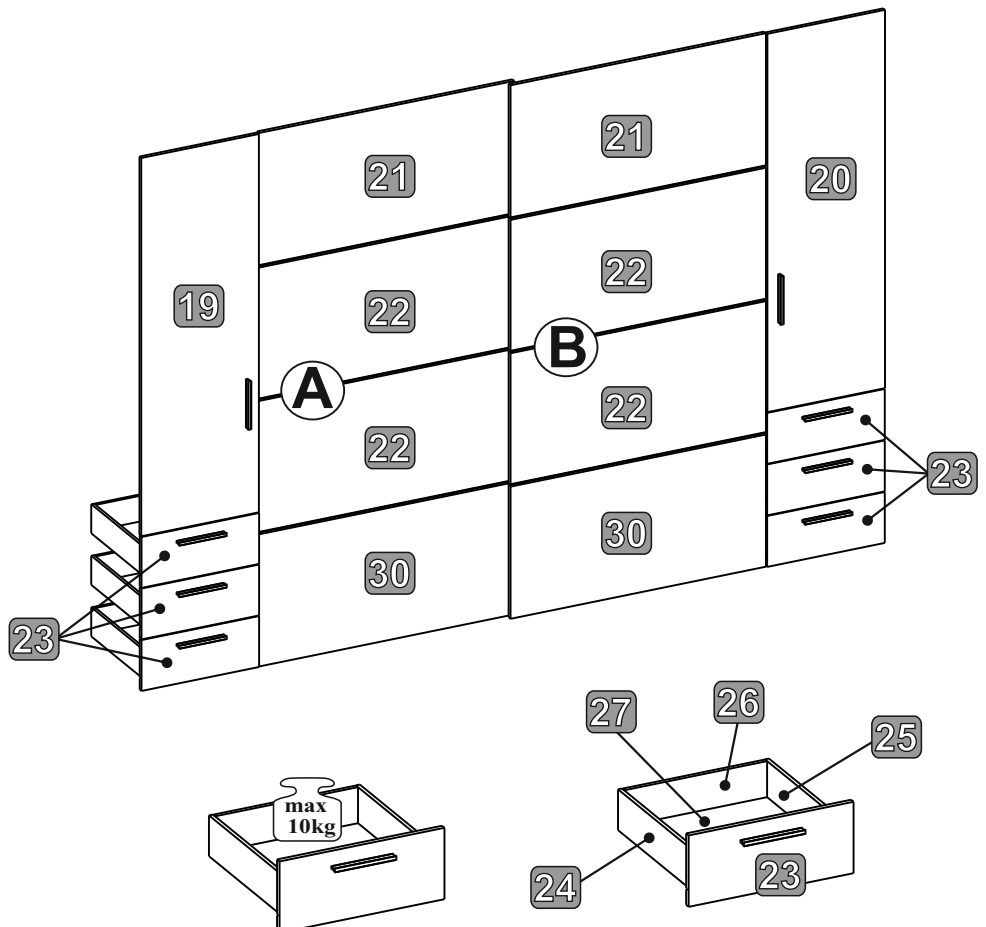
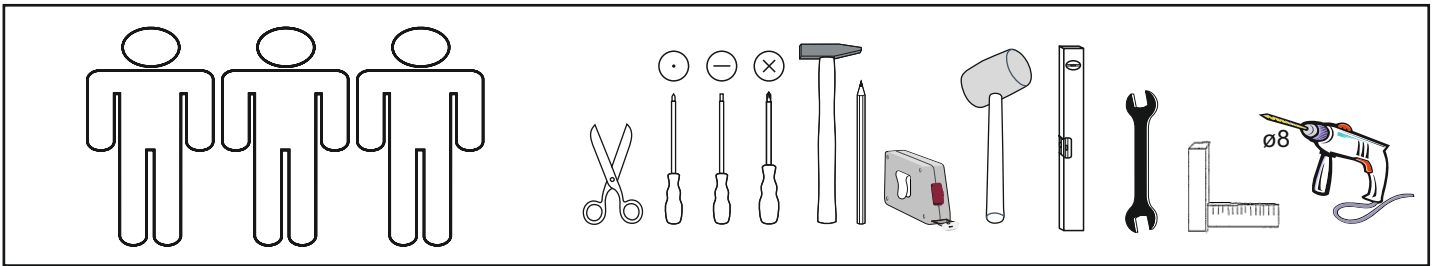


Nr	Ausmaß			St	Colli
1	2250	535	15	1	1-6
2	2250	535	15	1	1-6
3	2249	505	15	1	3-6
4	2250	565	15	1	2-6
5	2250	565	15	1	2-6
6	469	534	15	1	1-6
7	828	505	15	2	1-6, 6-6
8	469	564	15	1	2-6
9	469	534	15	1	1-6
10	828	505	15	2	5-6, 6-6
11	469	564	15	1	2-6
12	469	518	22	2	4-6
13	828	488	22	2	5-6
14	469	548	22	2	3-6
15	469	50	15	4	2-6
16	828	50	15	4	2-6
17	2188	476	2	2	1-6
18	2188	835	2	2	3-6
19	1560	495	15	1	4-6
20	1560	495	15	1	4-6
21	850	550	16	2	5-6
22	850	550	16	4	6-6
23	495	210	15	6	4-6
24	450	120	12	6	5-6
25	450	120	12	6	5-6, 6-6
26	429	120	12	6	6-6
27	448	440	2	6	3-6
28	469	518	22	1	4-6
29	469	548	22	1	3-6
30	850	550	16	2	5-6

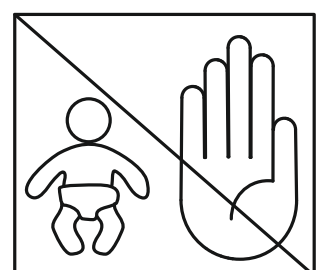
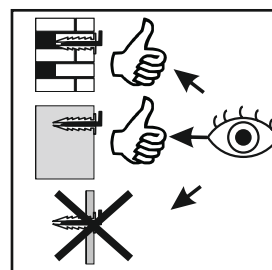
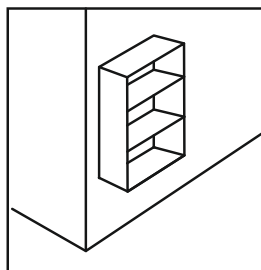
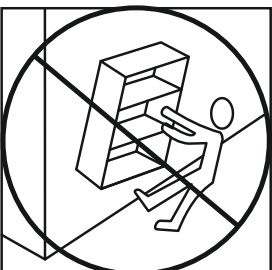
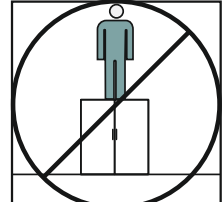
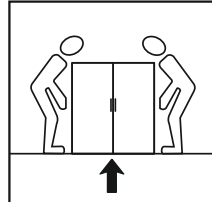
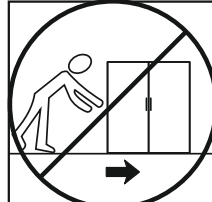
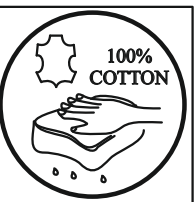
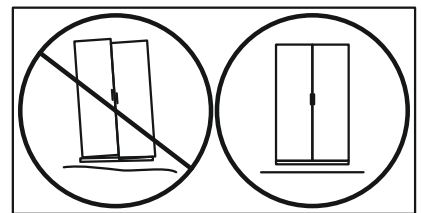
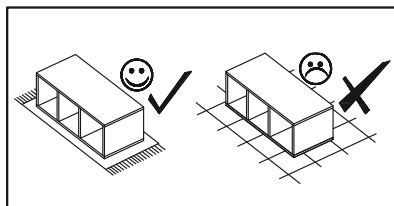
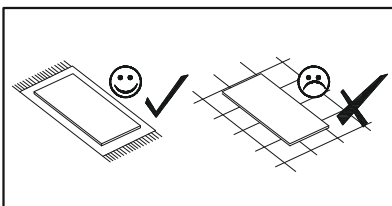
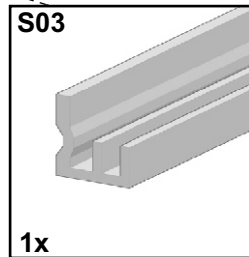
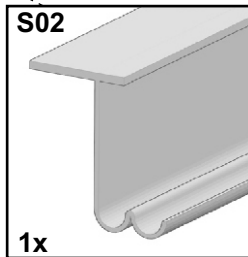
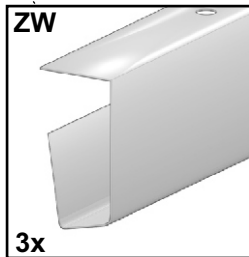
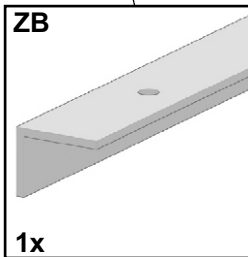
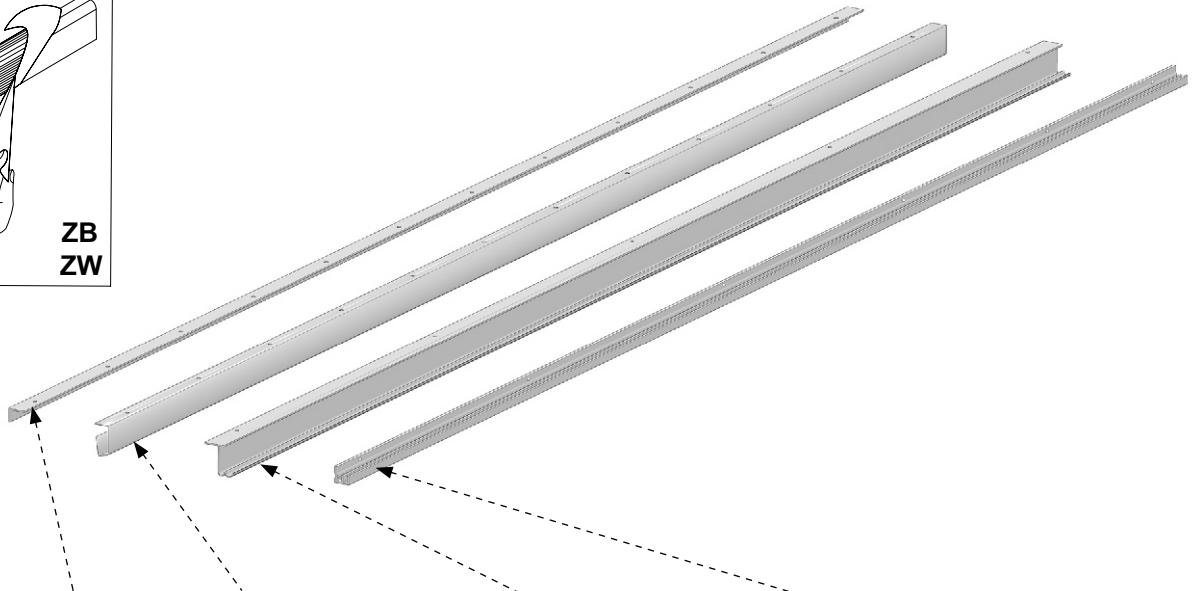
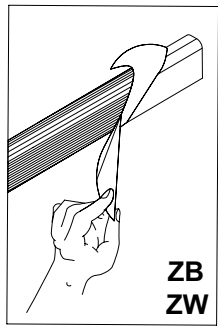


0 10 20 30 40 50 60 70 80 90 100

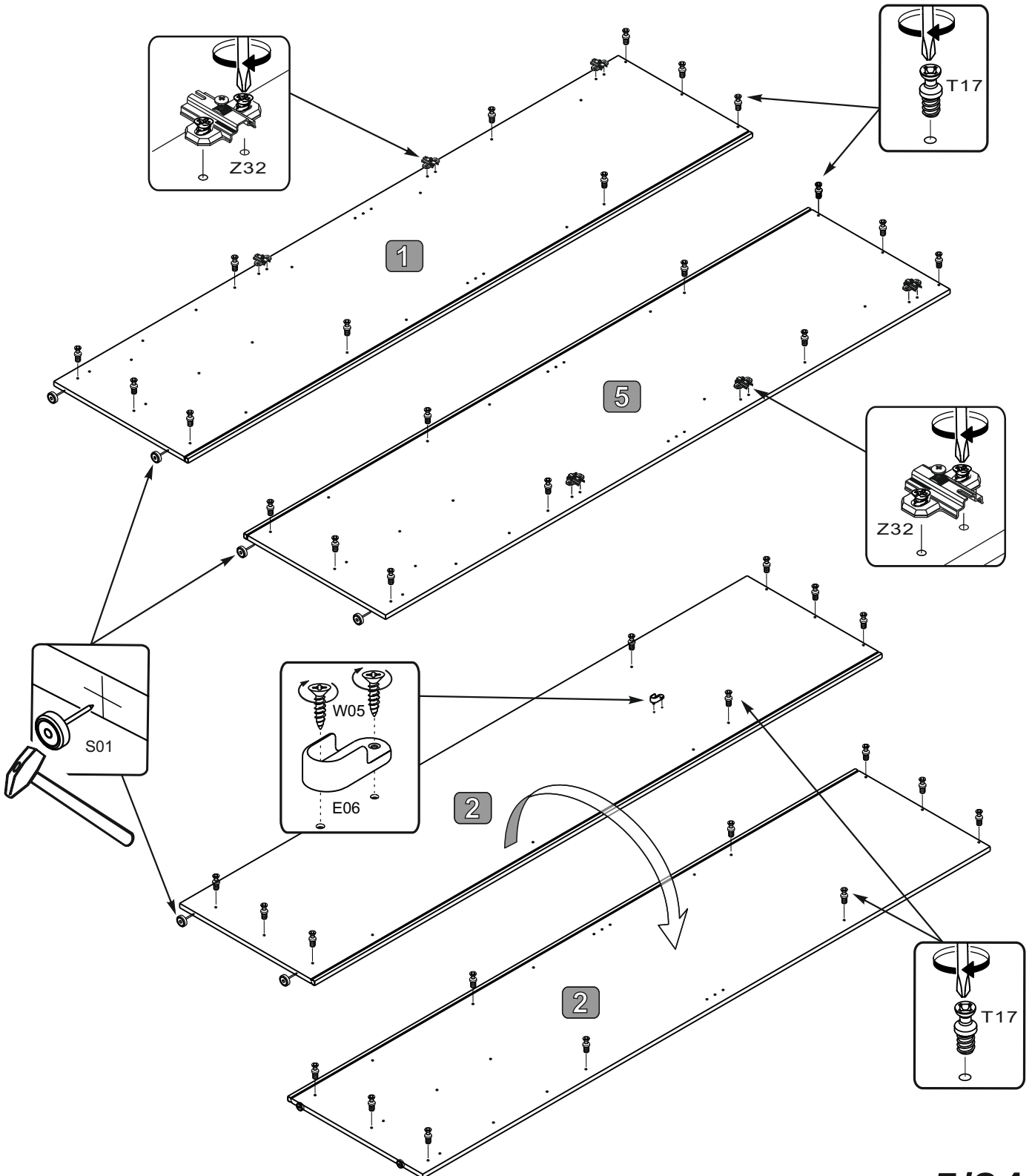
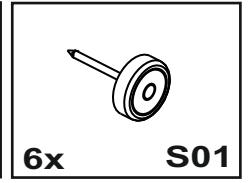
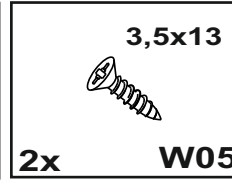
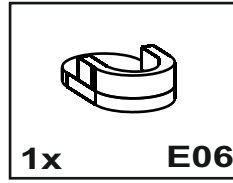
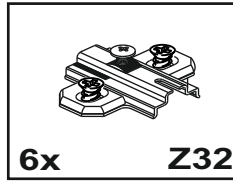
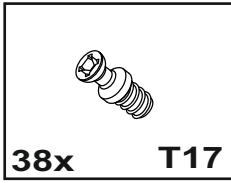




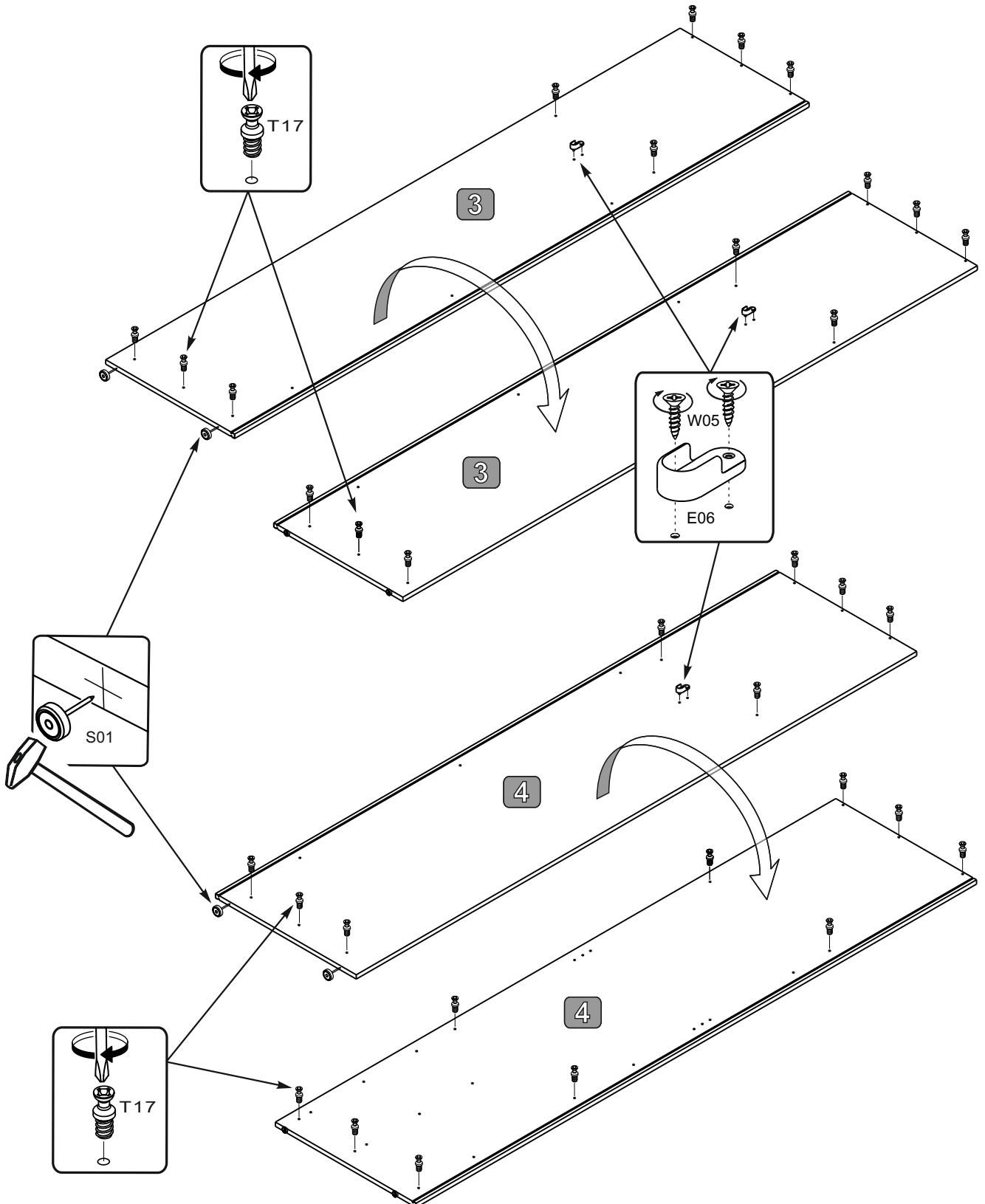
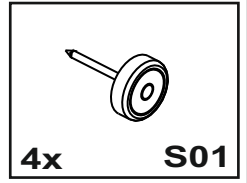
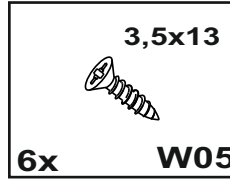
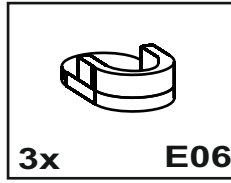
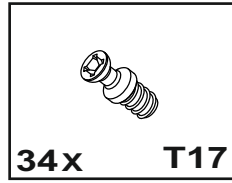
 72x T17	 72x T18	 4x25 16x W10	 8x U11	 44x I01	 8x E01
 7x50 20x W03	 1x K01	 8x30 48x D01	 30x I04	 6x13 30x W51	 22x S01
 4x E06	 3,5x13 164x W05	 4x13 16x W48	 12x B10	 L-450 6x P01	 6x8 24x W34
 L-820 mm 2x J01	 2x B07	 6x Z31	 6x Z32	 12x C05	 3x L01
 2x D11	 2x P10	 2x P07	 1x P09	 2x P06	 1x P08
 L+R 1x G02	 2x F02	 3x Sz01			



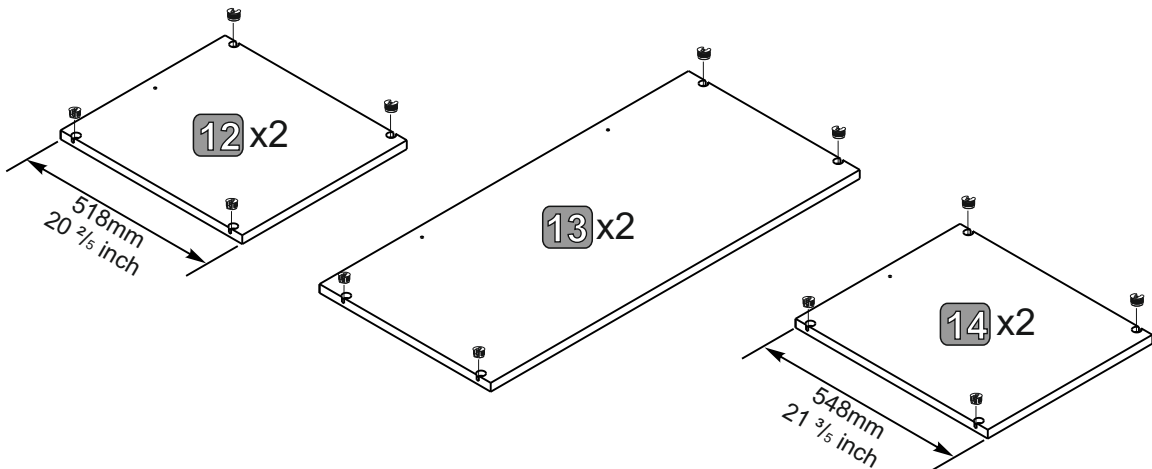
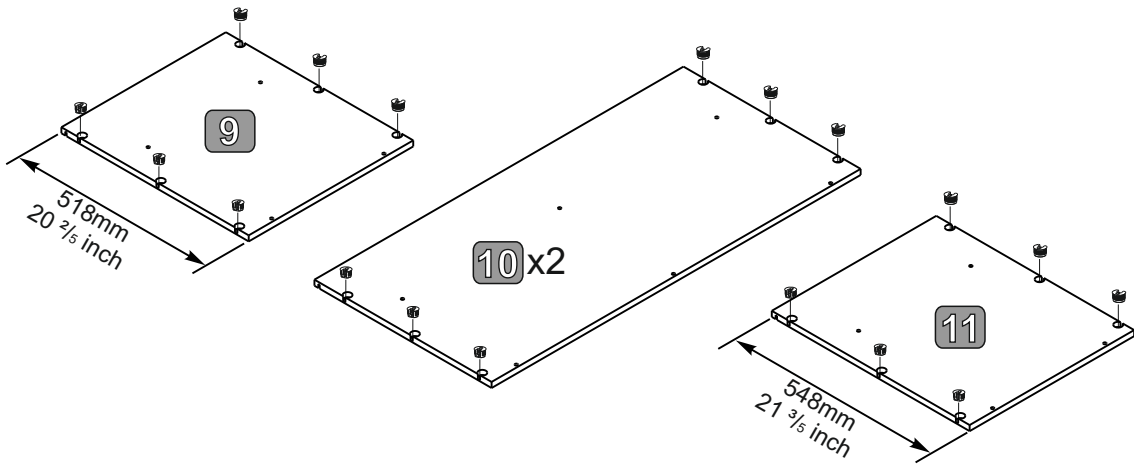
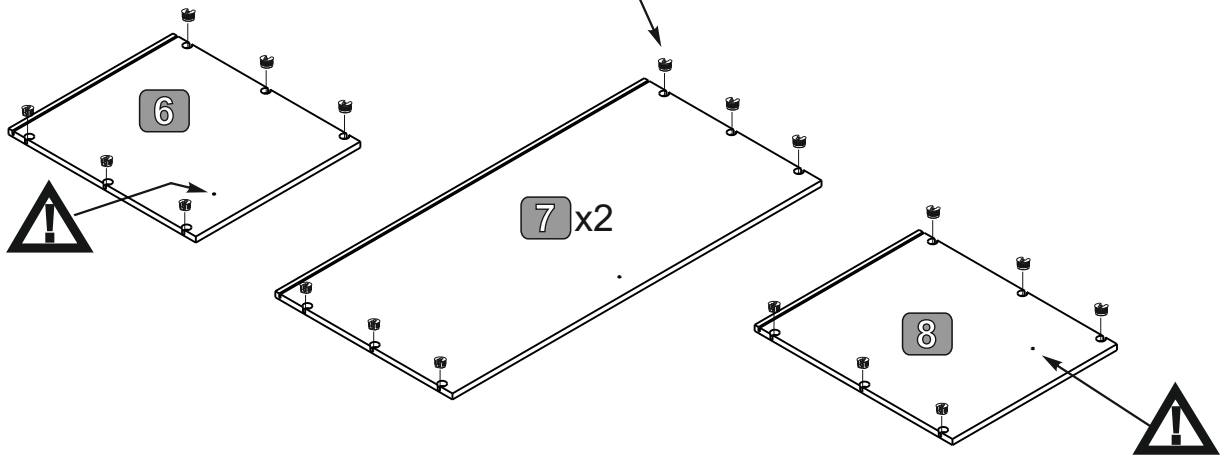
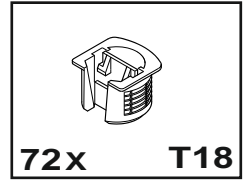
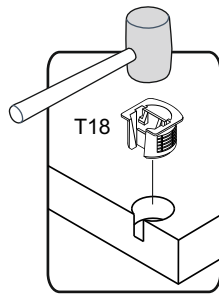
1



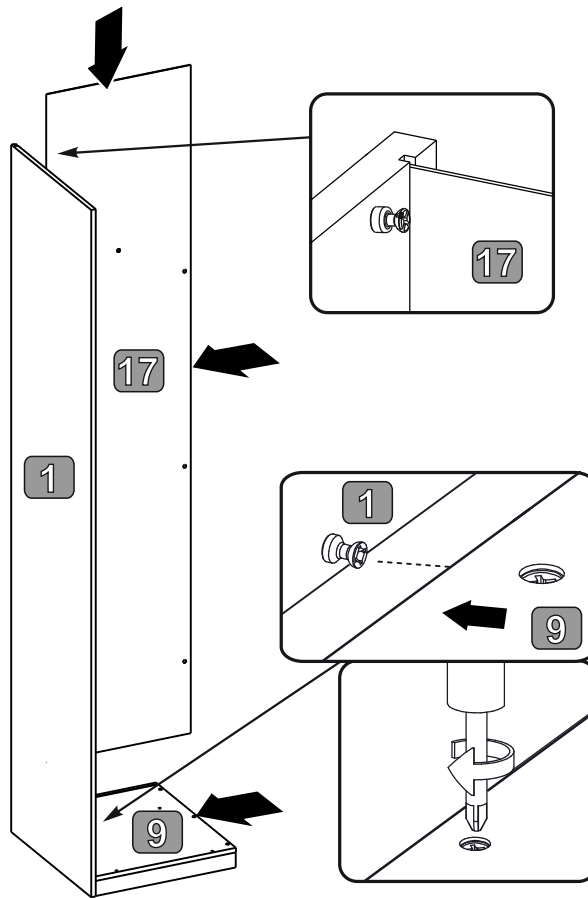
2



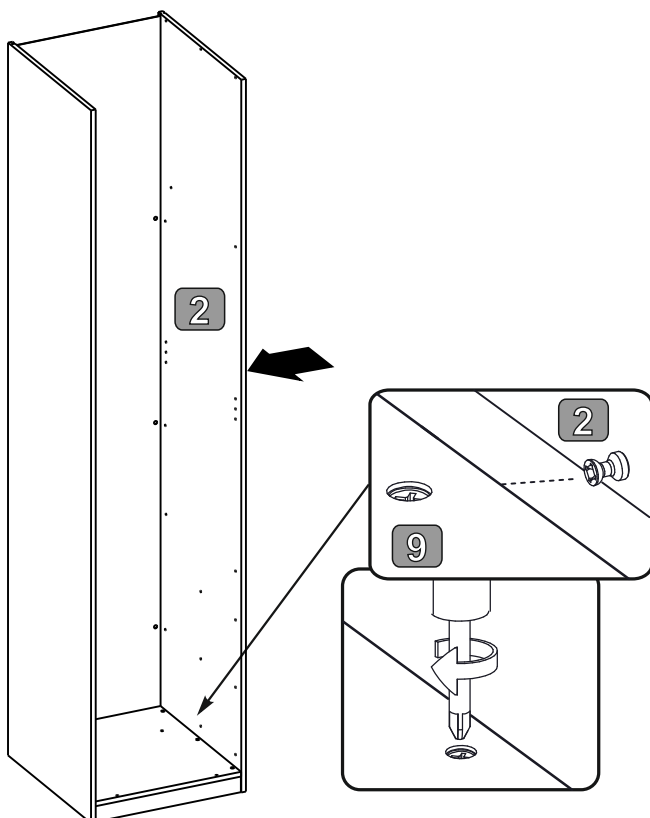
3



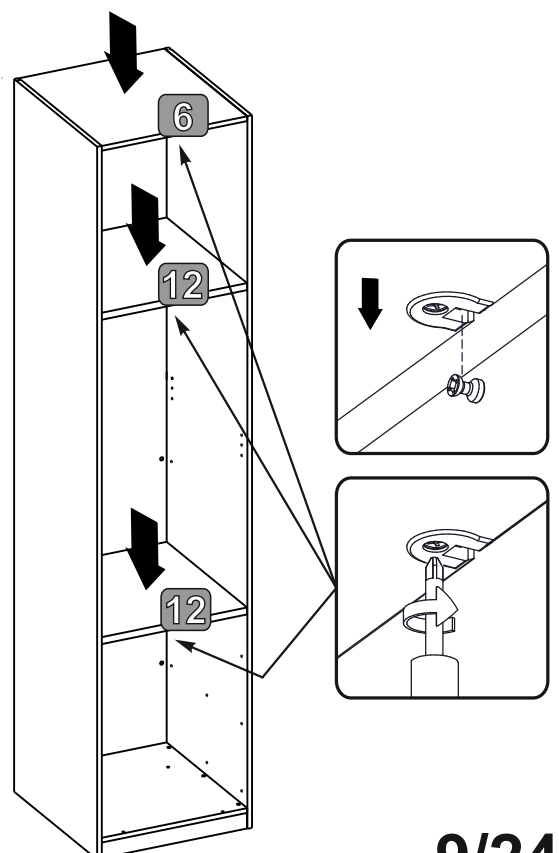
6



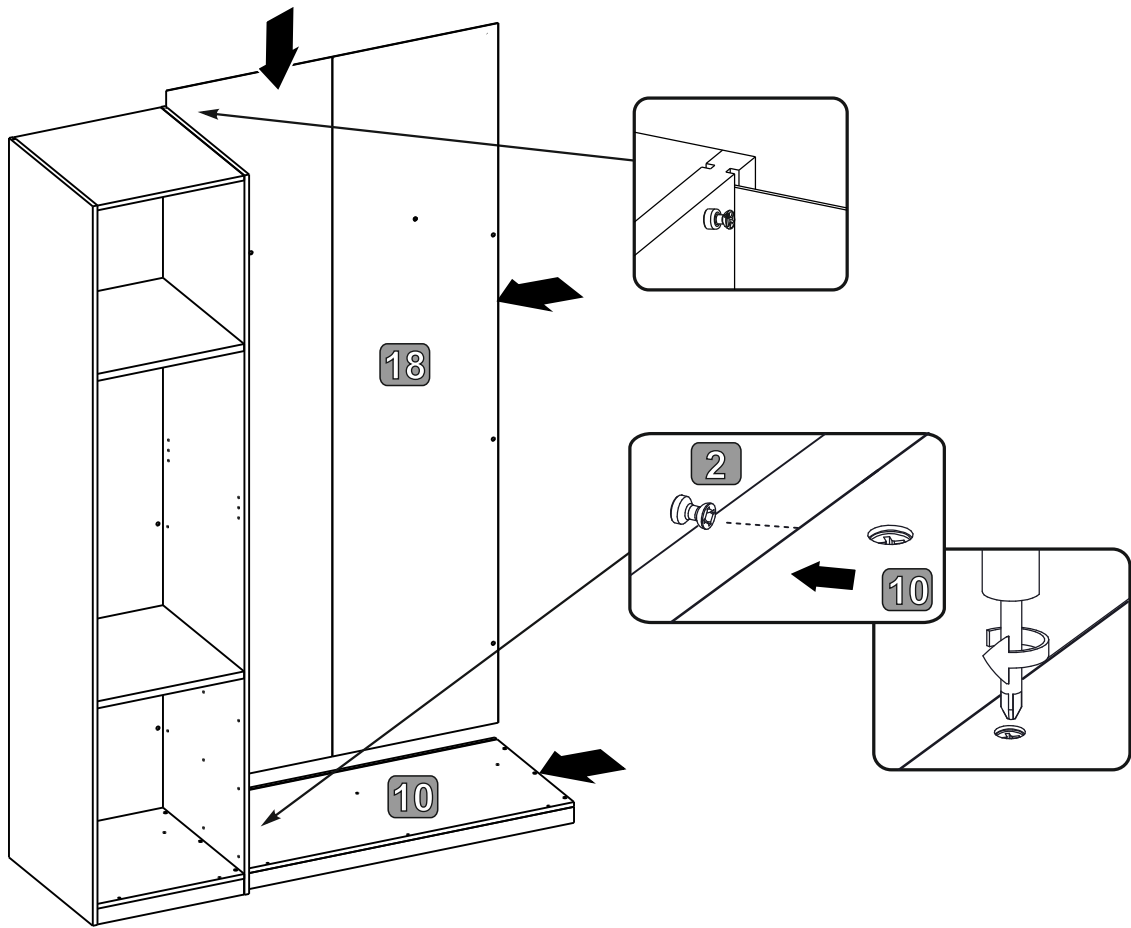
7



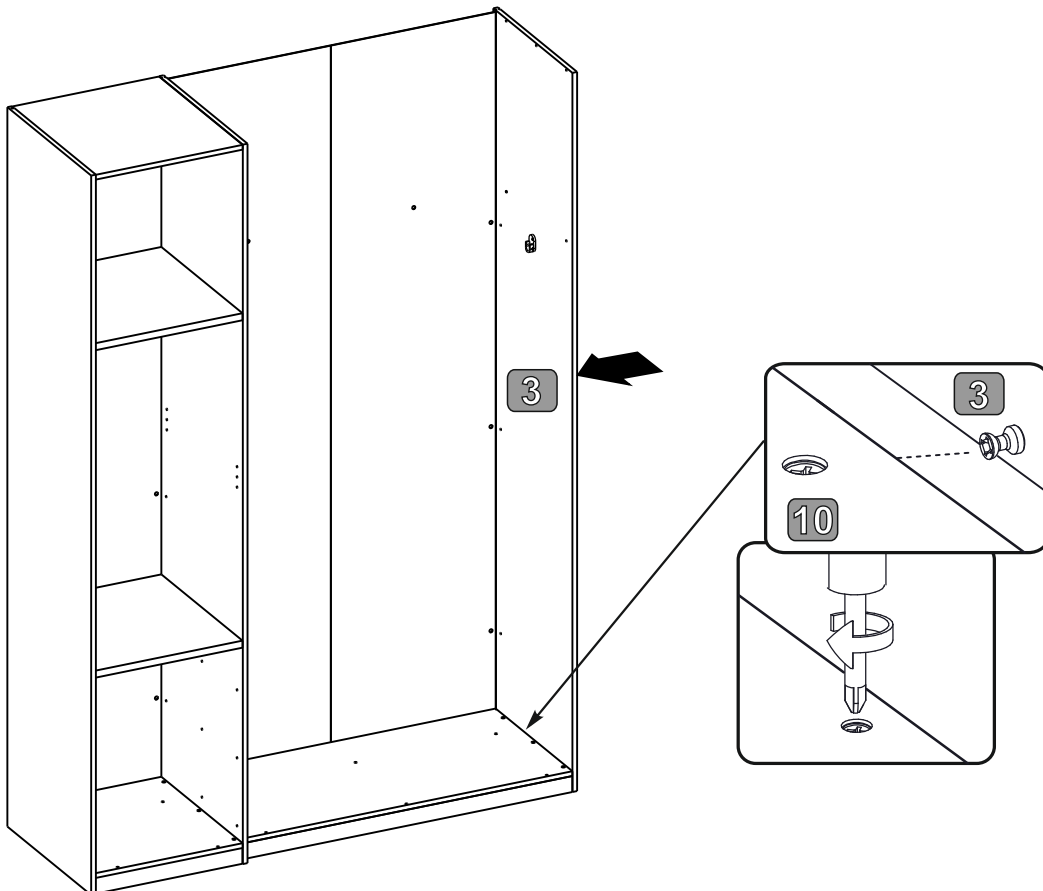
8



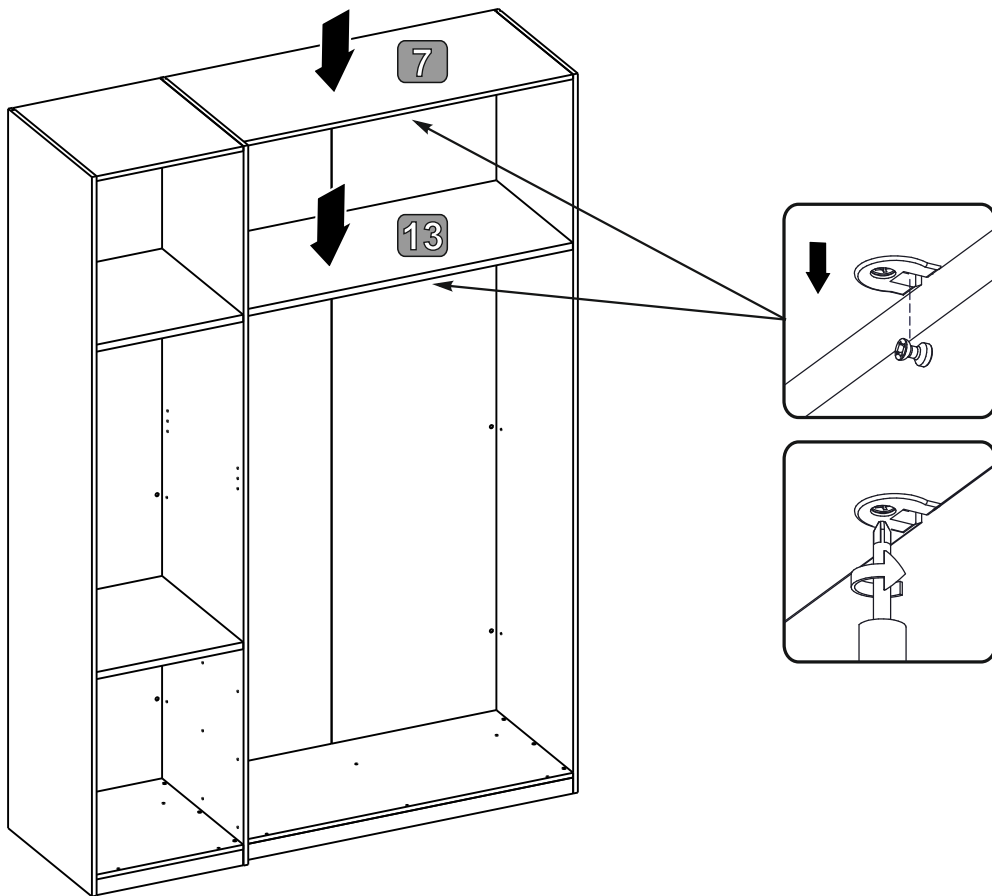
9



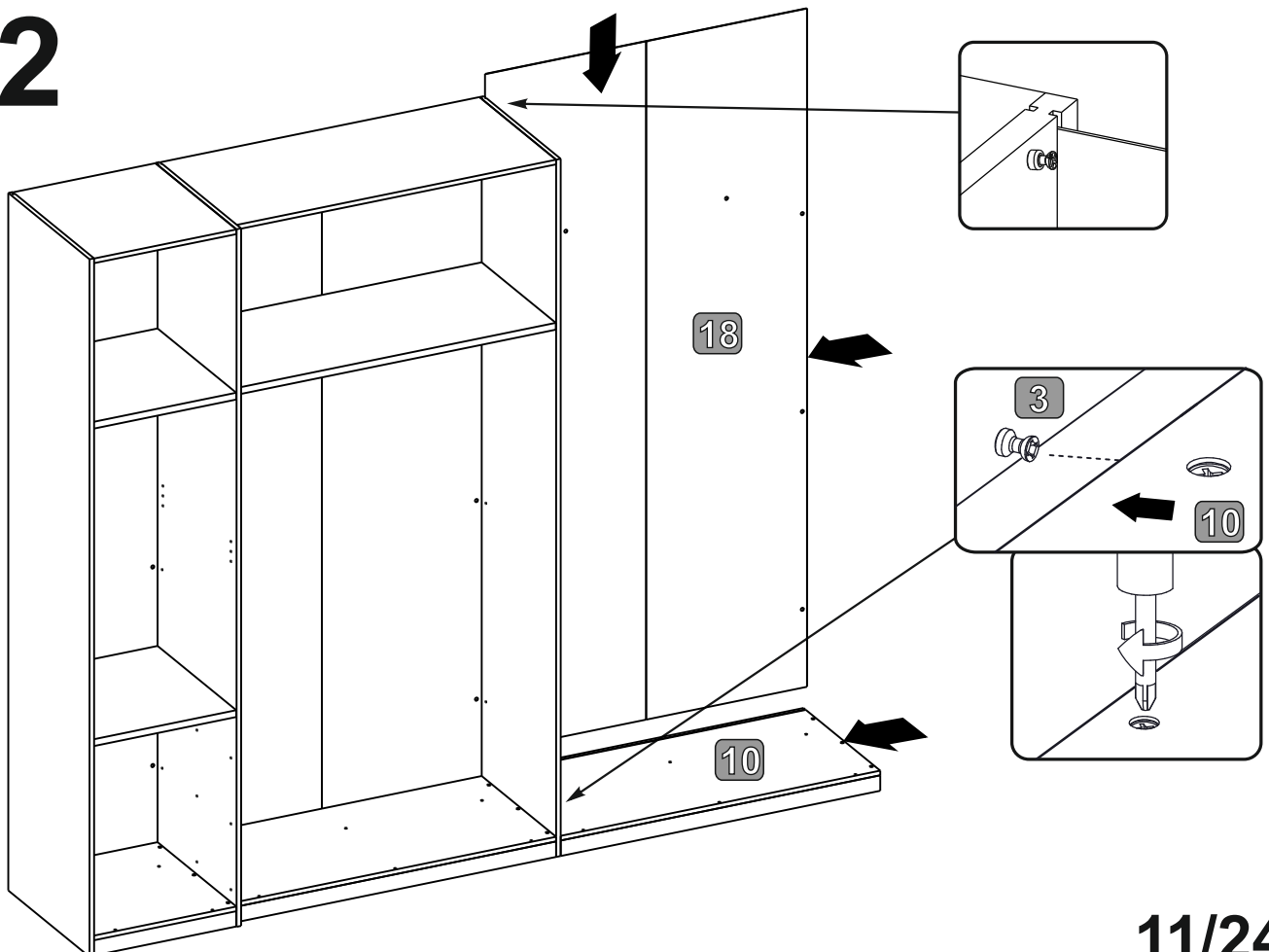
10



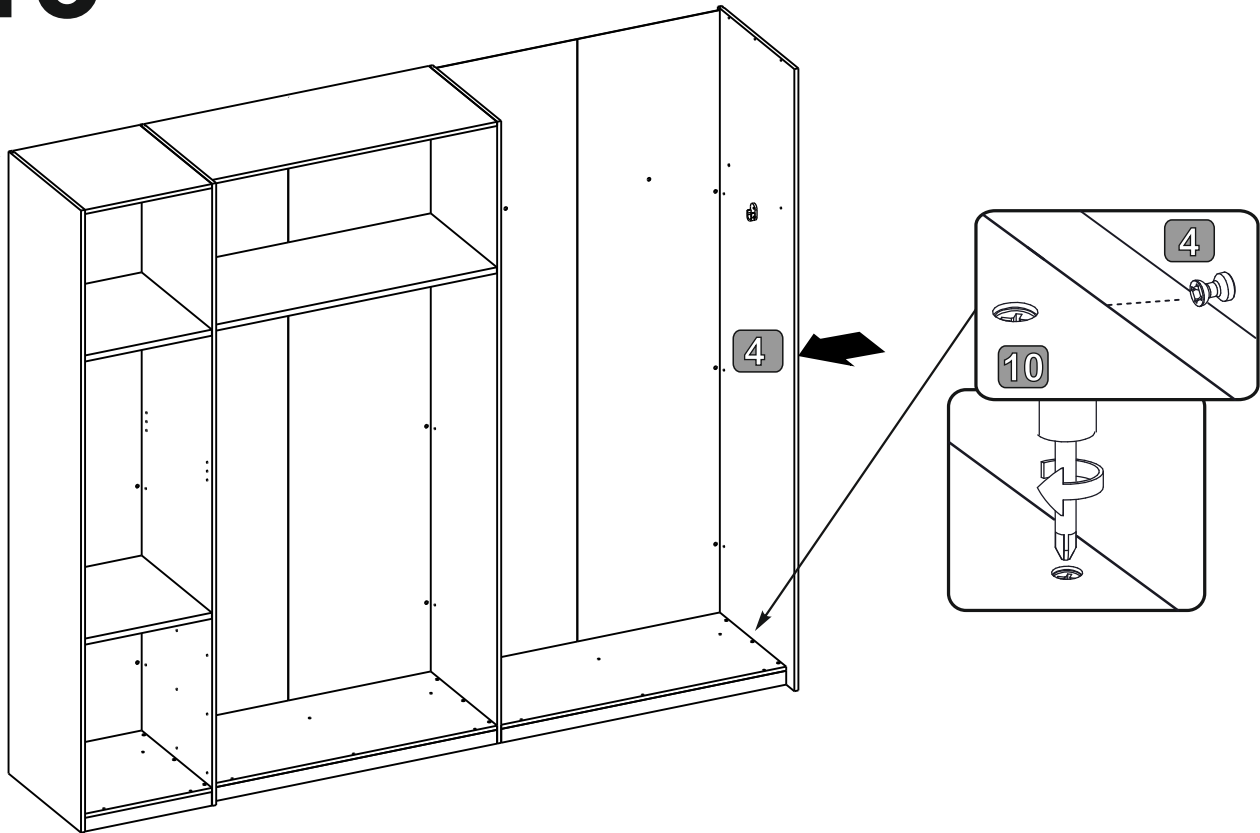
11



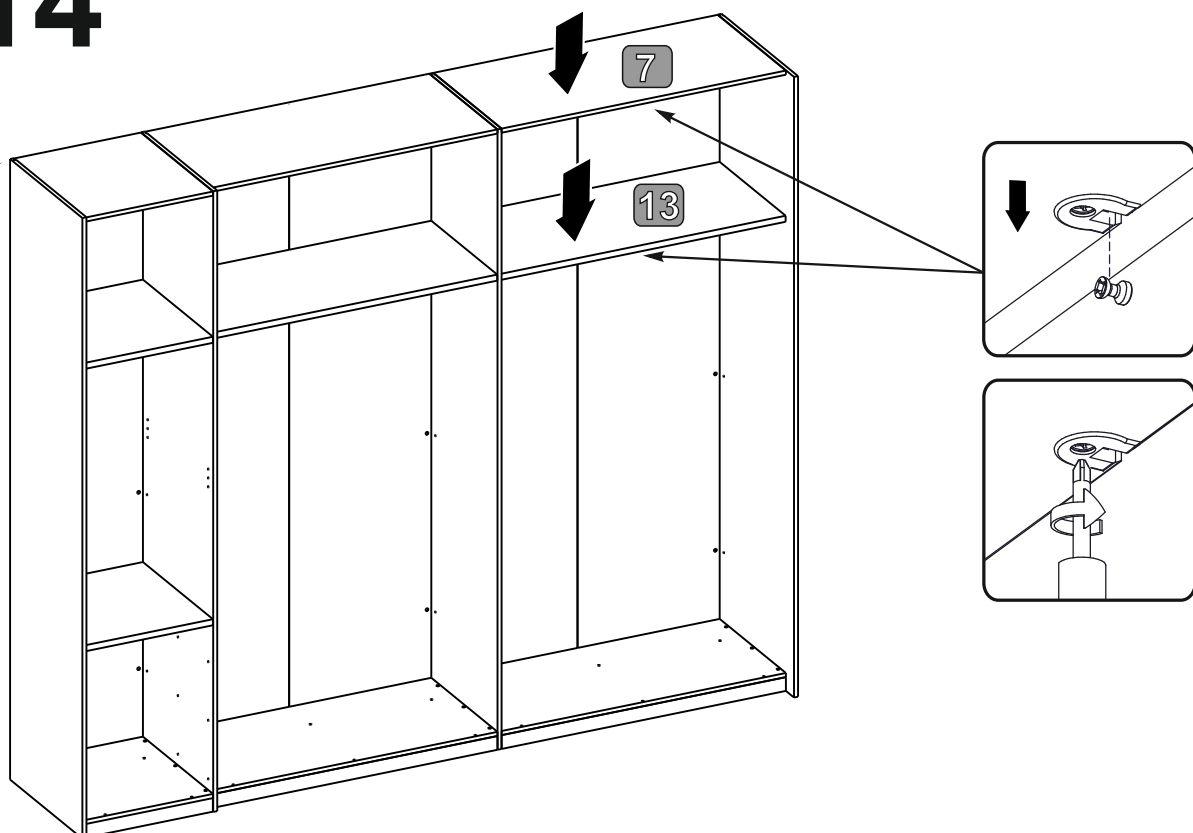
12



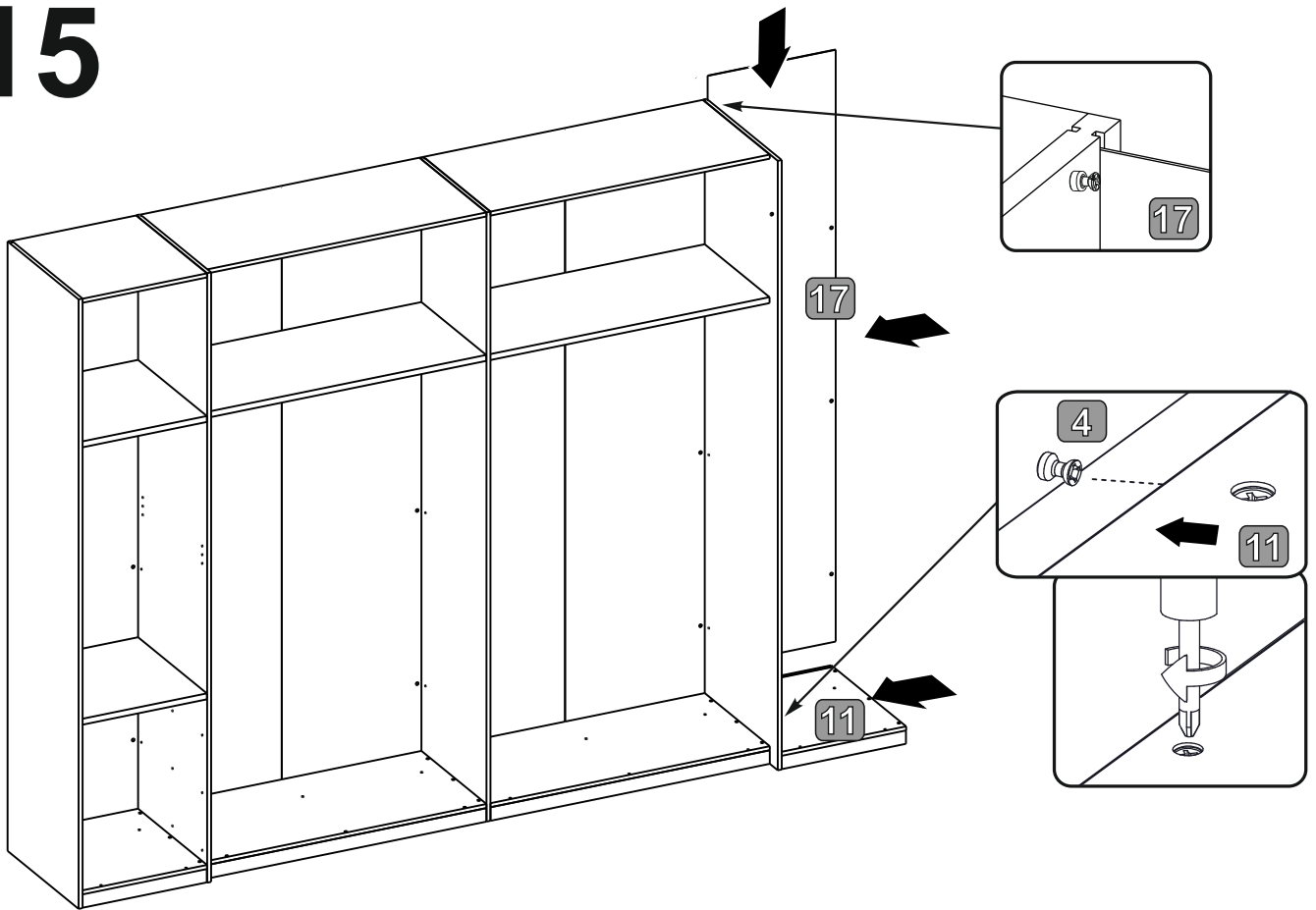
13



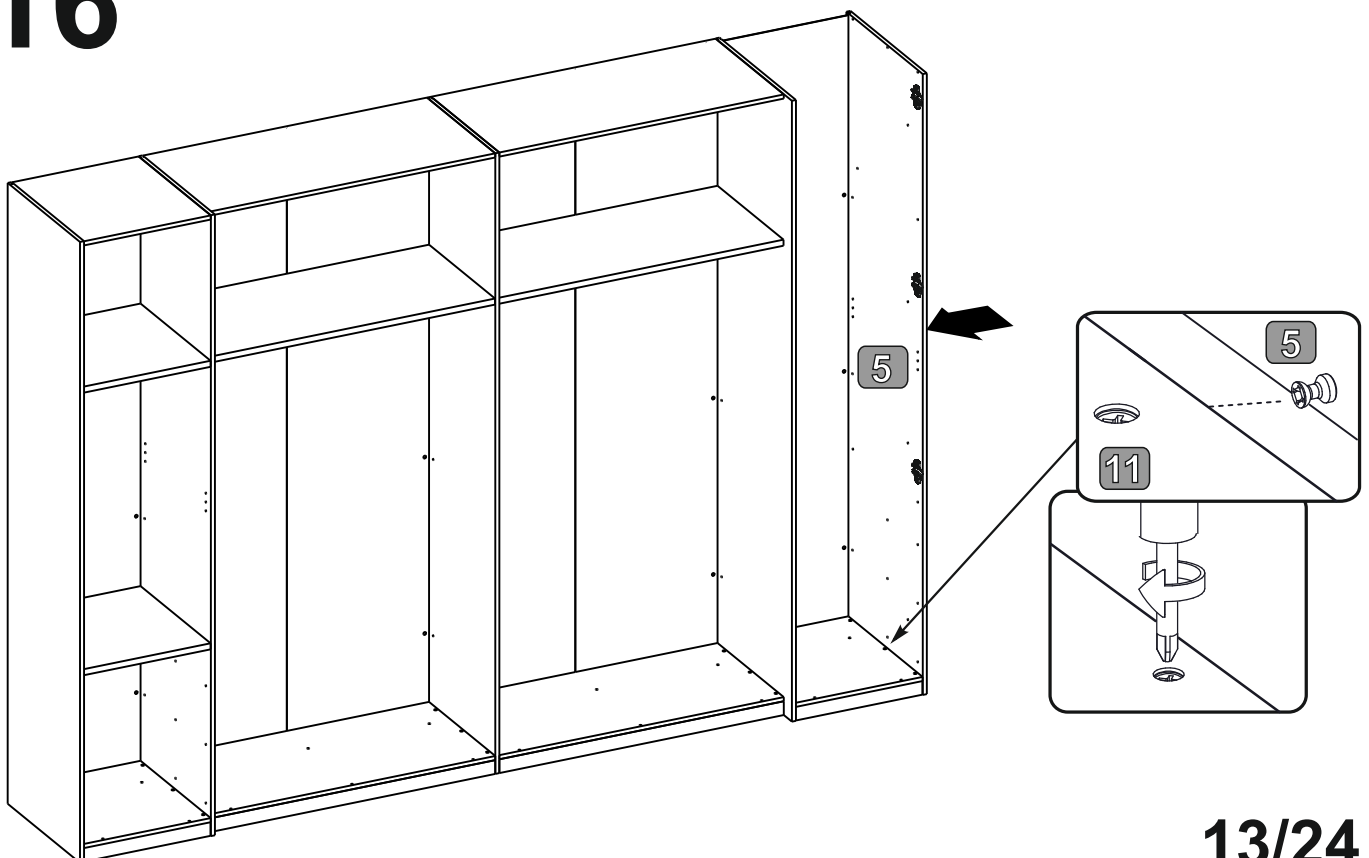
14



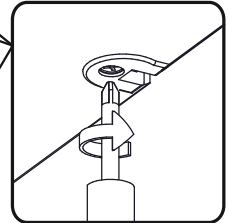
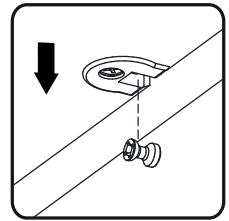
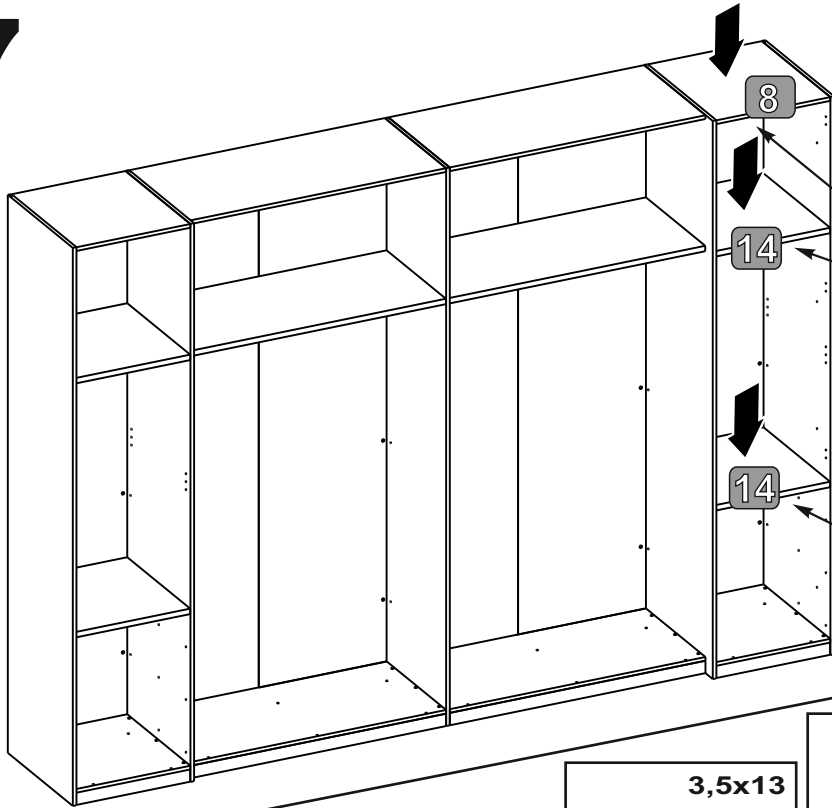
15



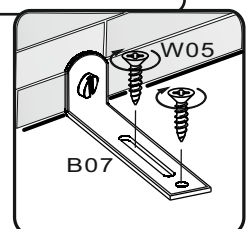
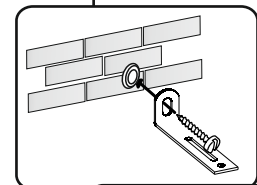
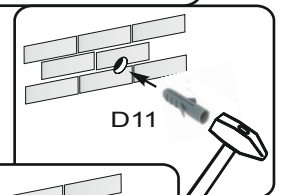
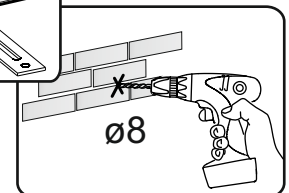
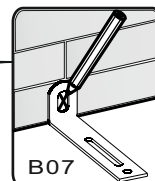
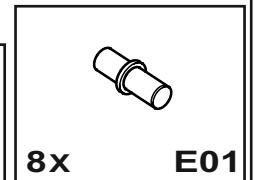
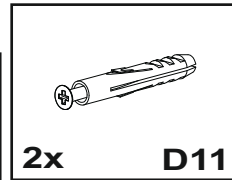
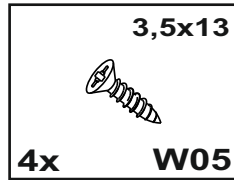
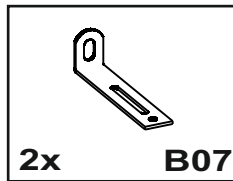
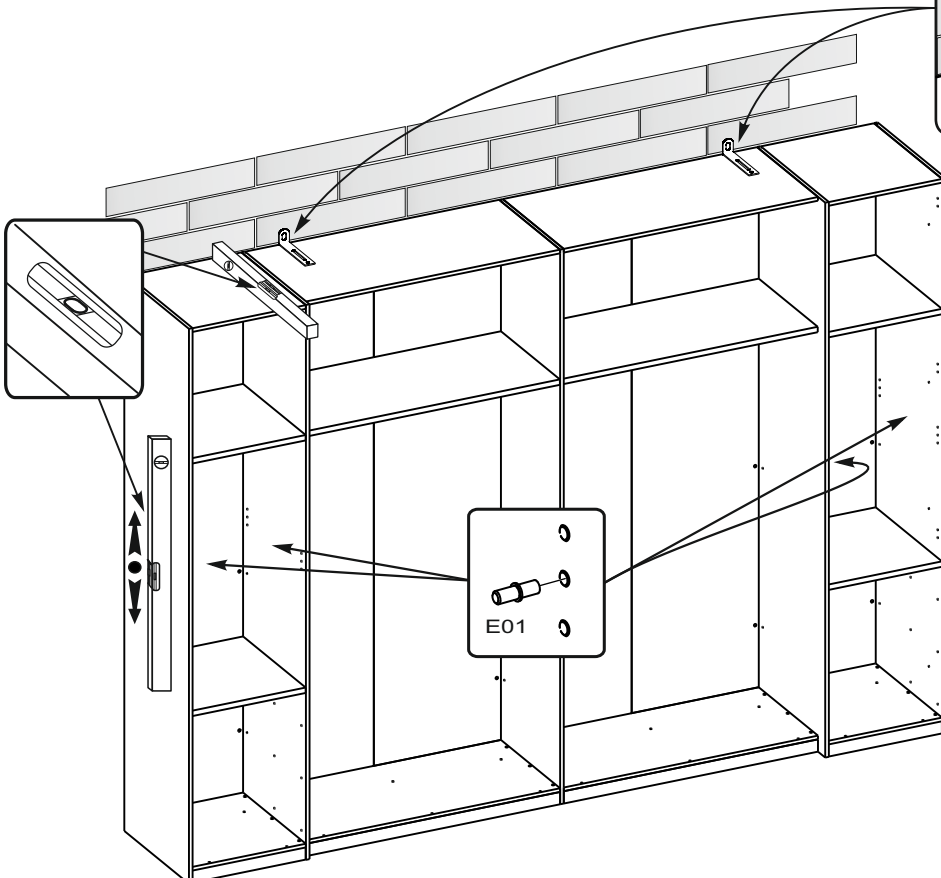
16



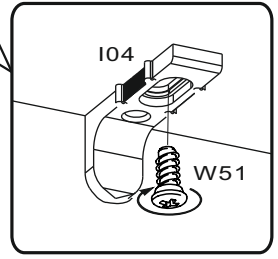
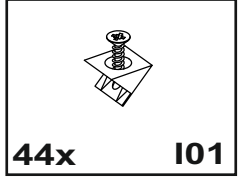
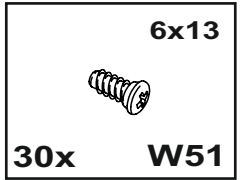
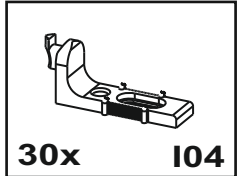
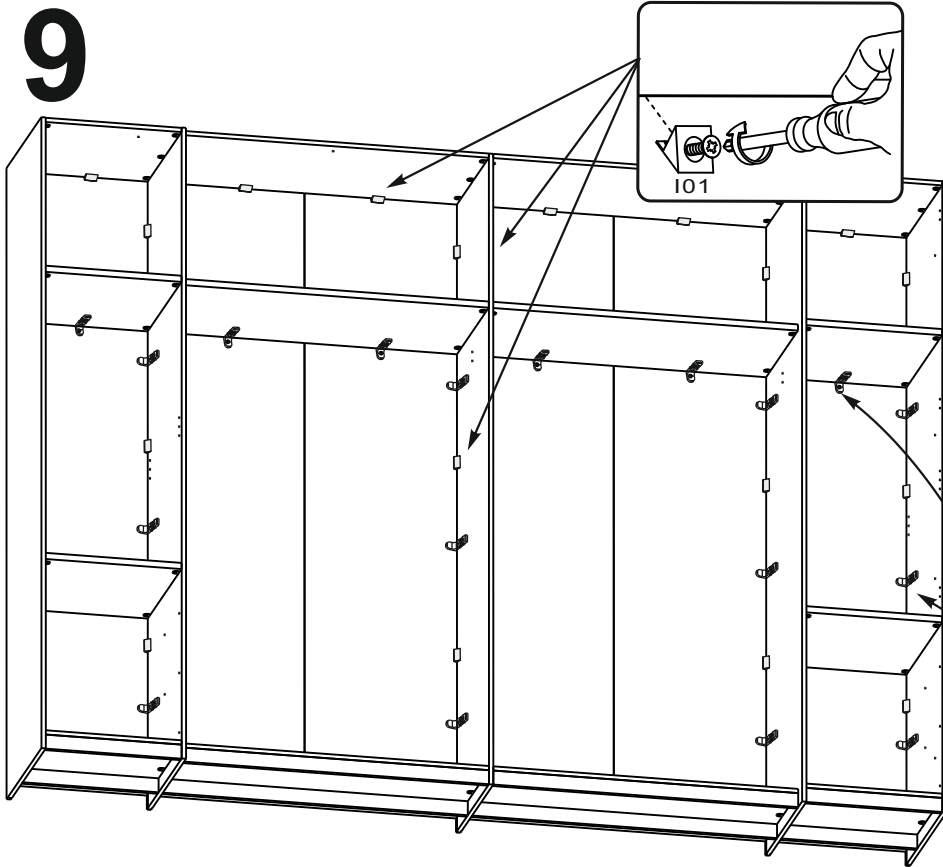
17



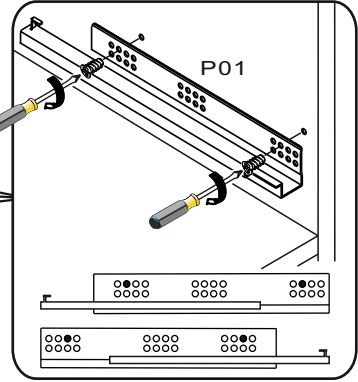
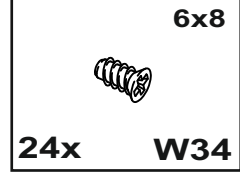
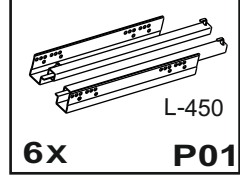
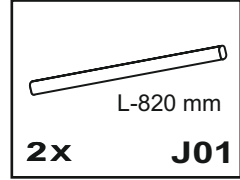
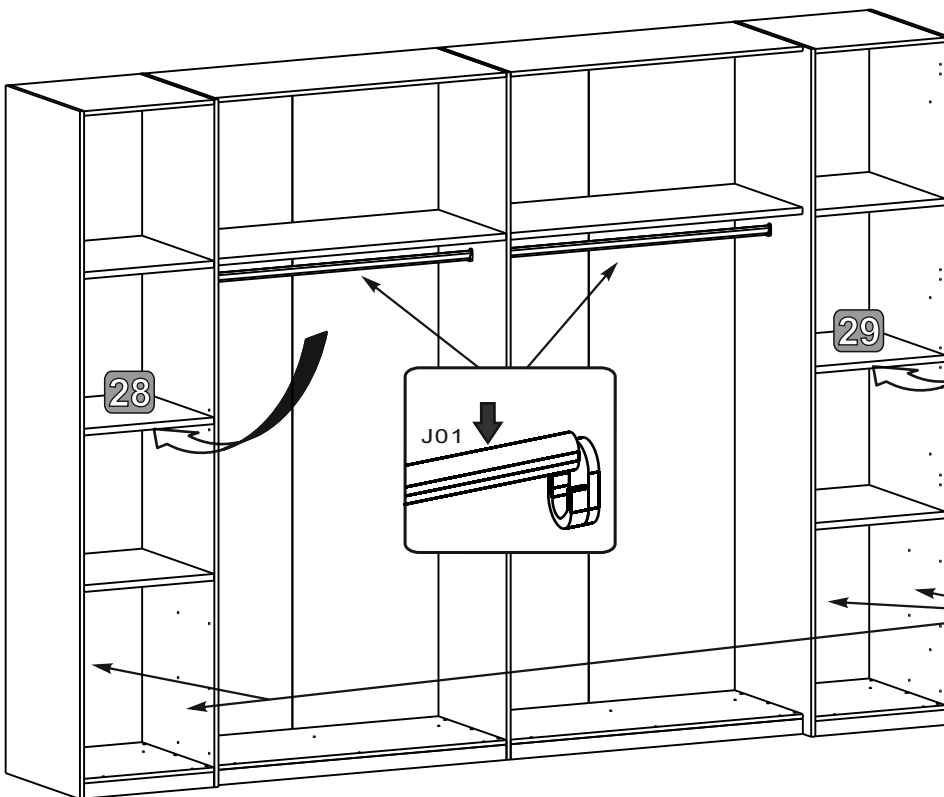
18



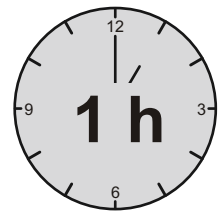
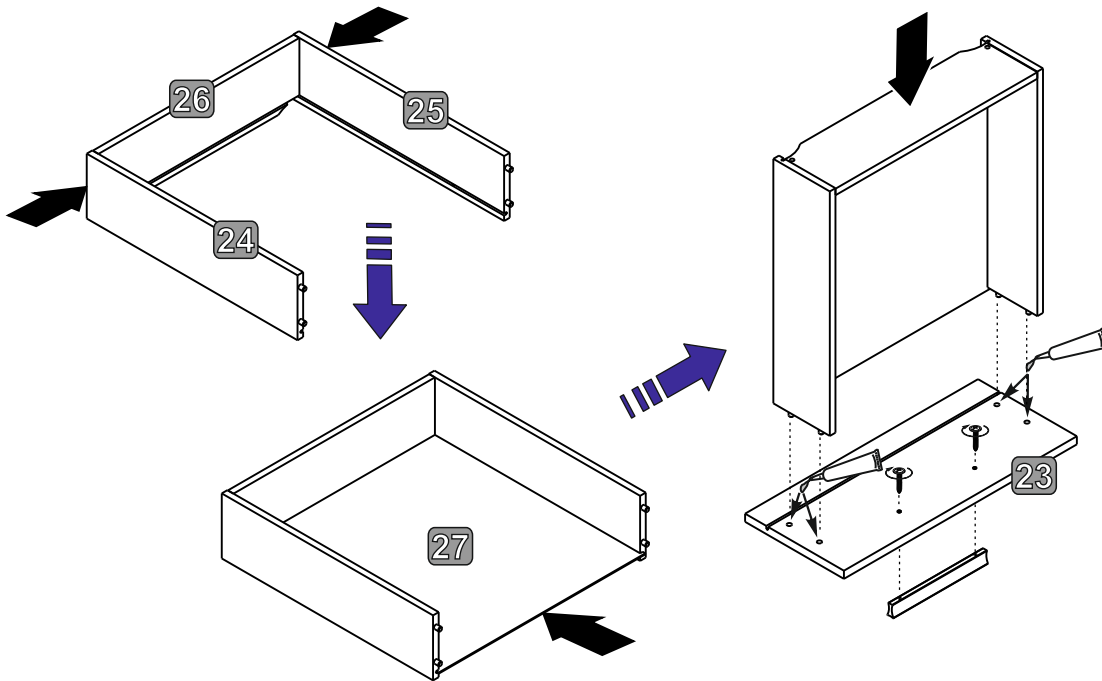
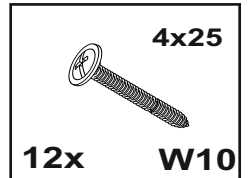
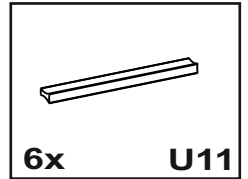
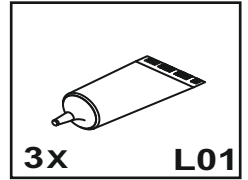
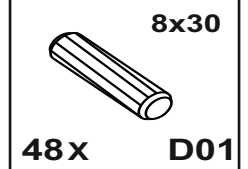
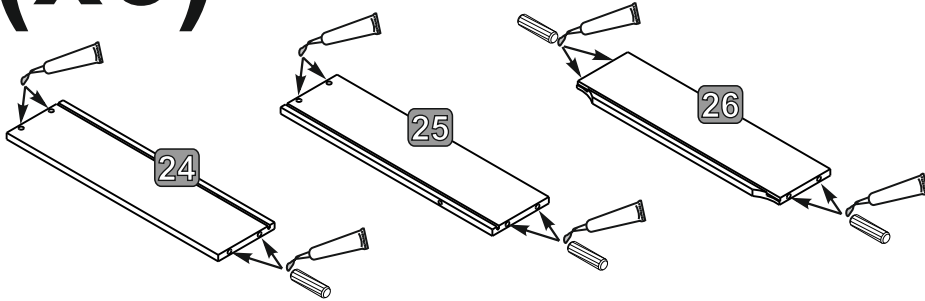
19



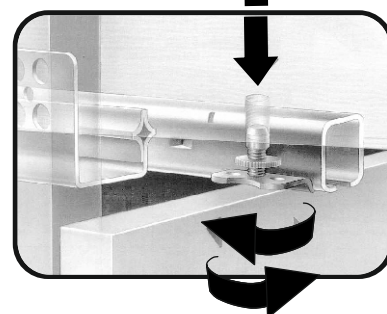
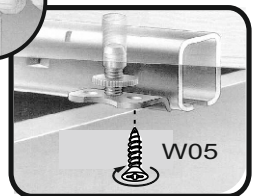
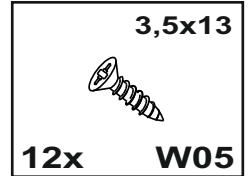
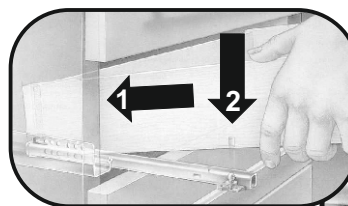
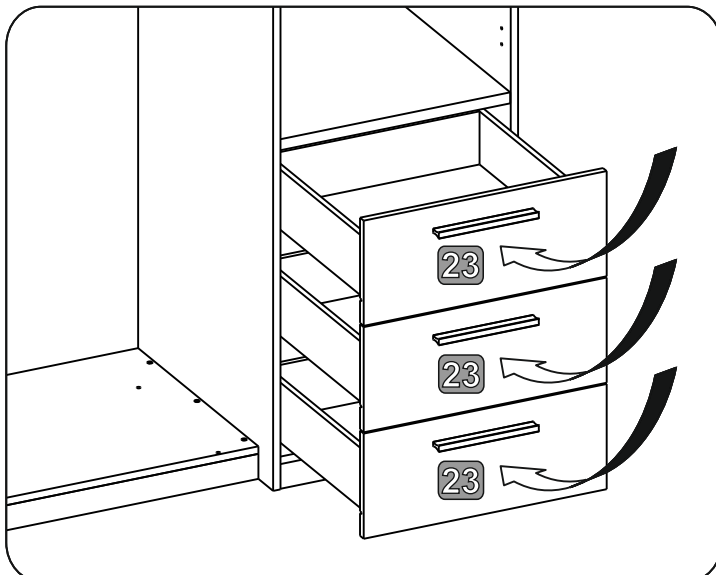
20



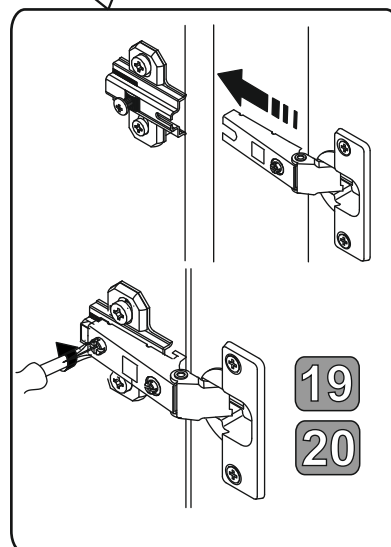
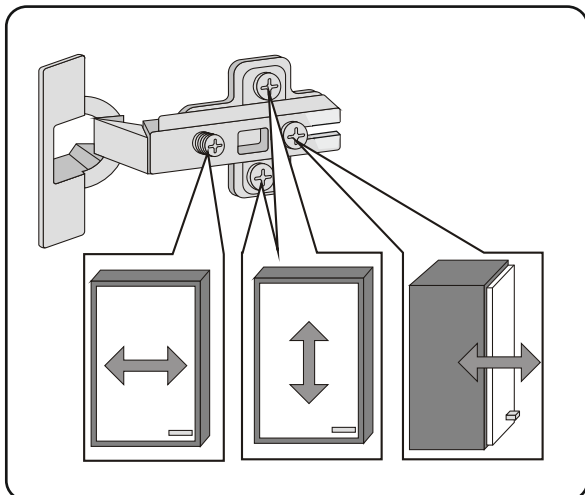
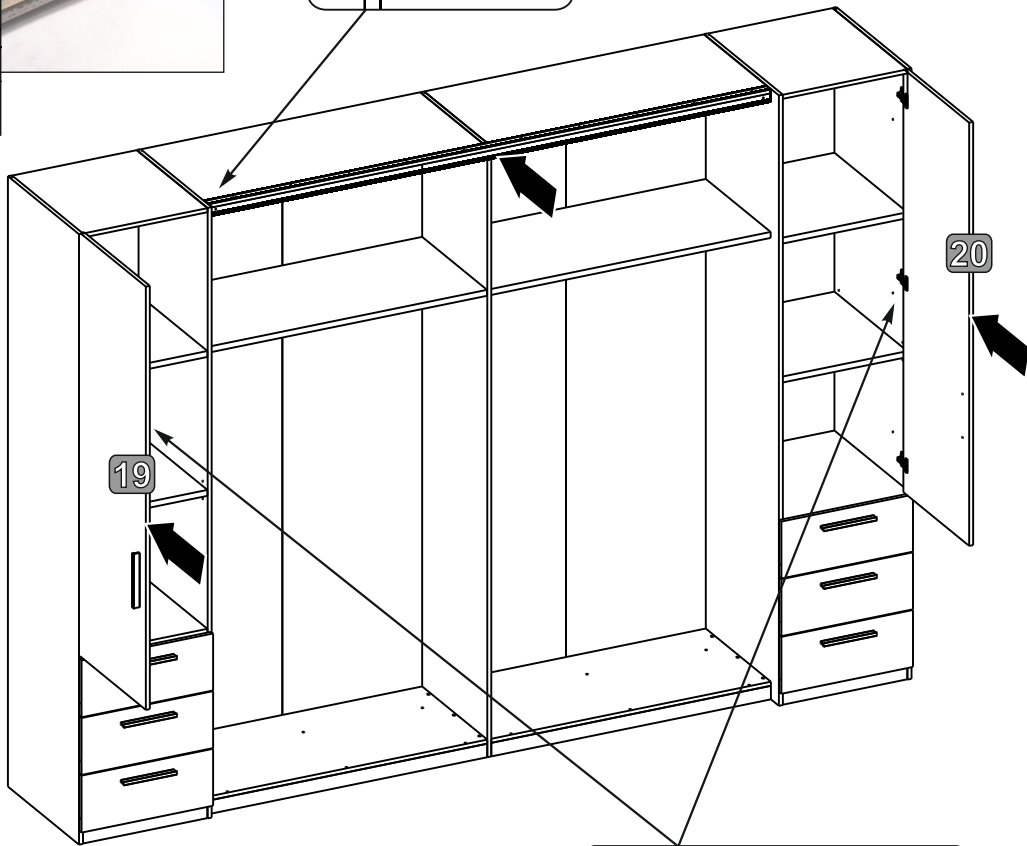
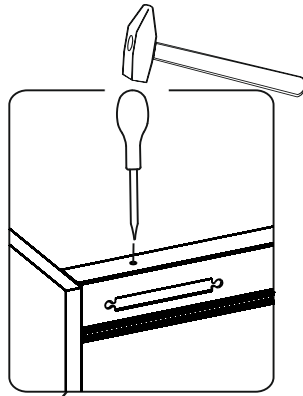
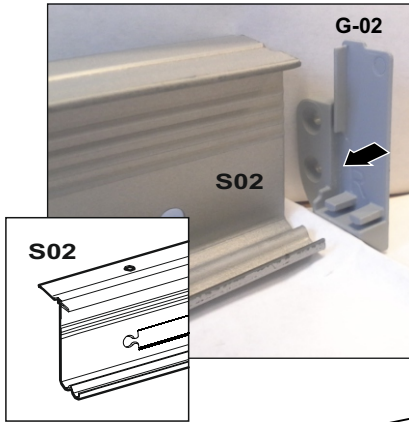
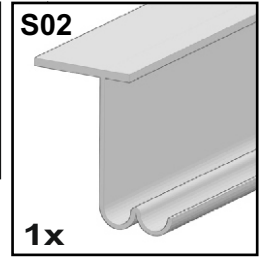
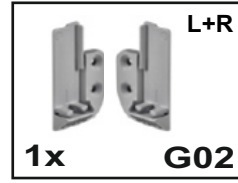
21 (x6)



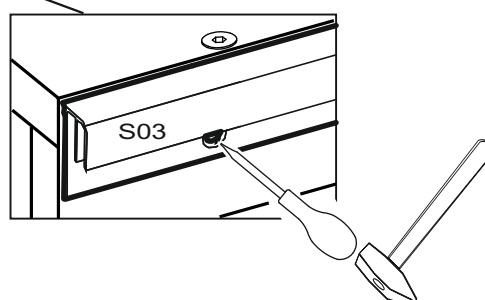
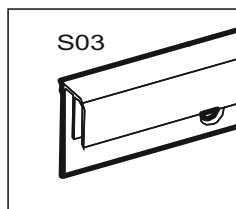
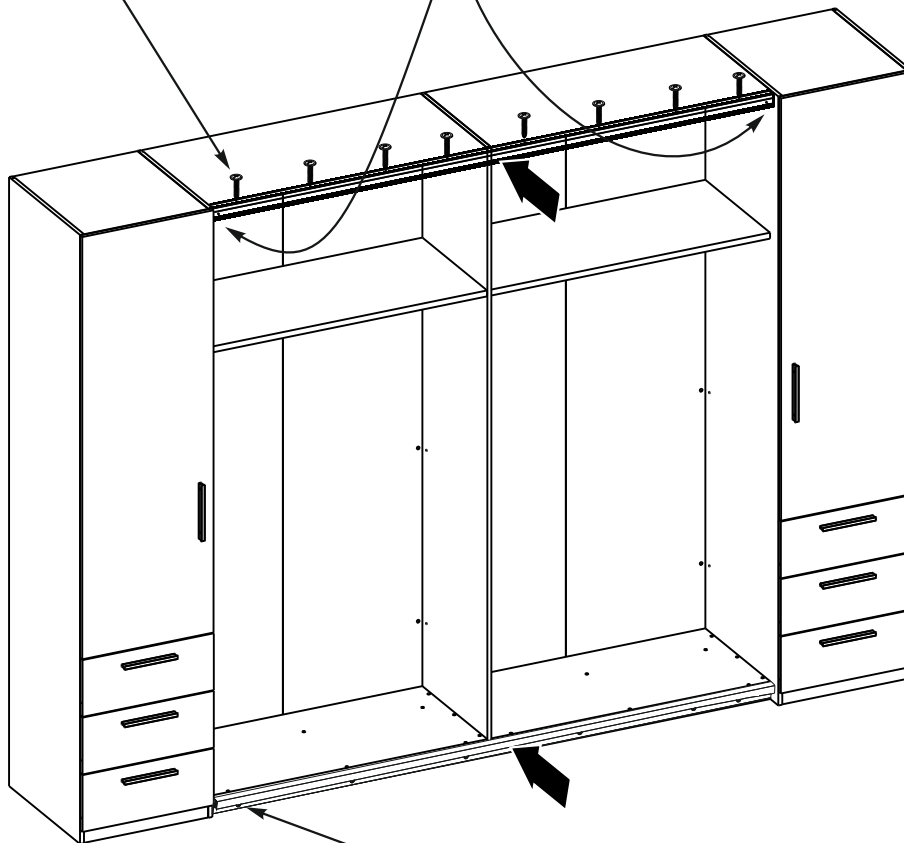
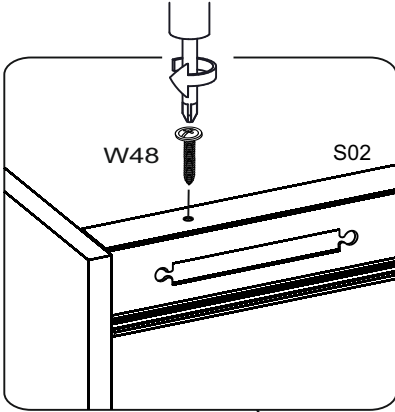
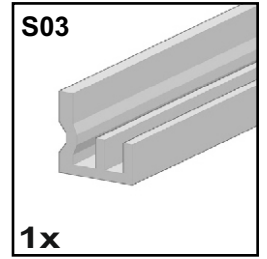
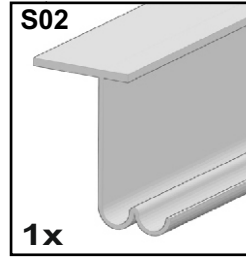
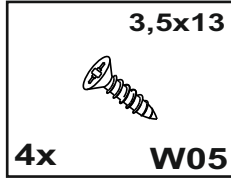
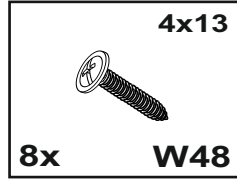
22



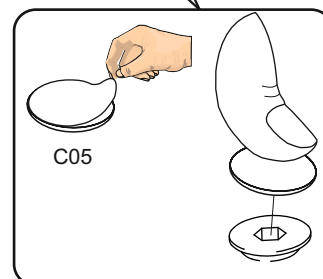
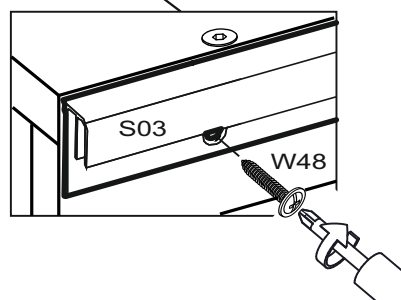
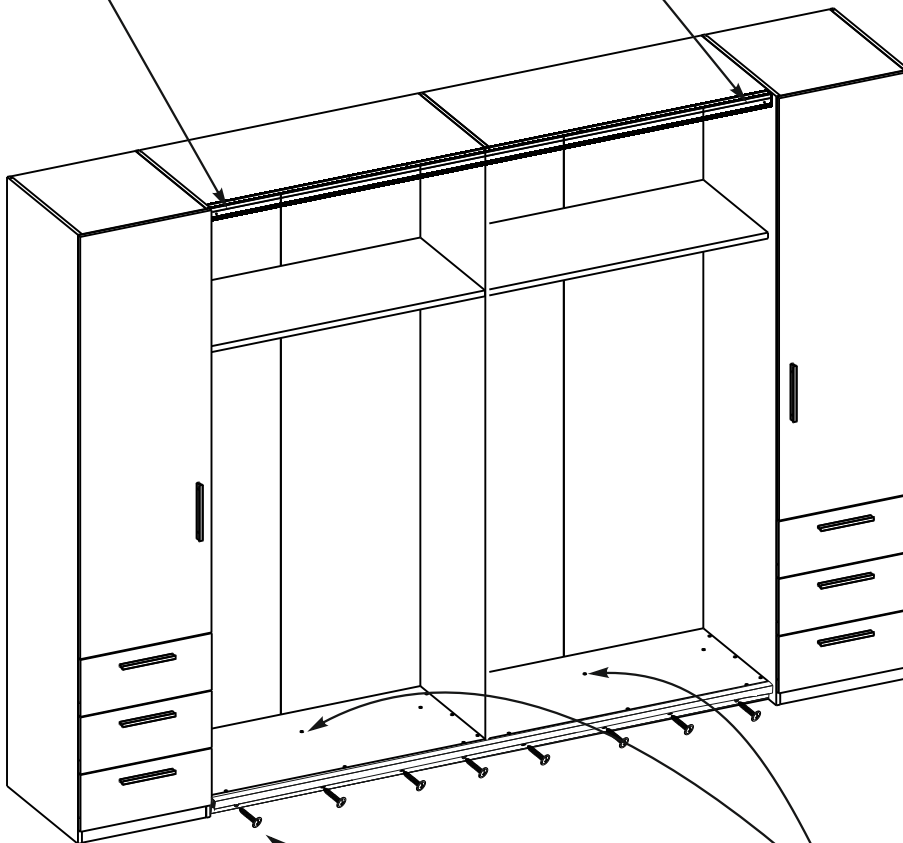
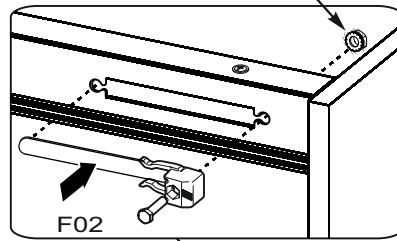
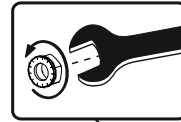
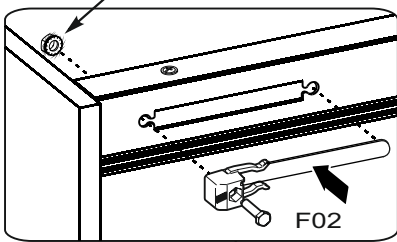
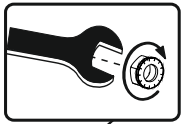
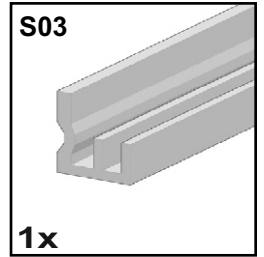
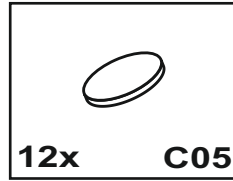
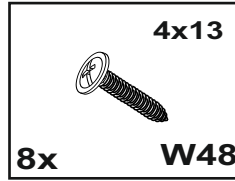
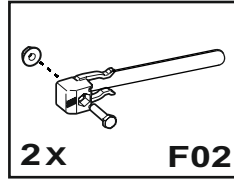
23




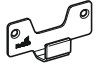

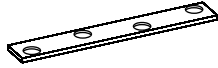

24

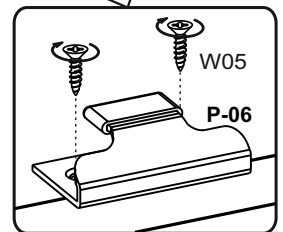
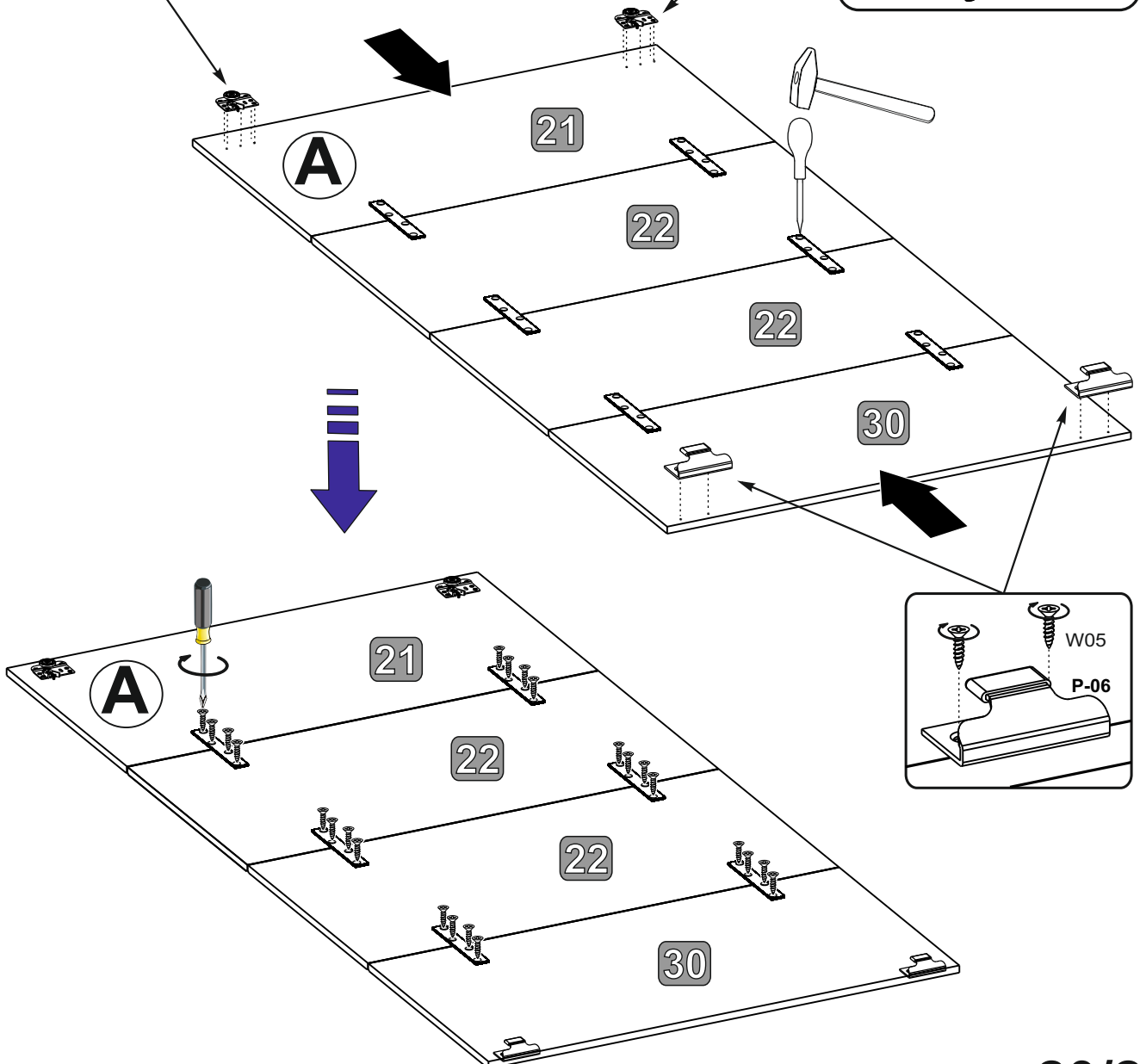
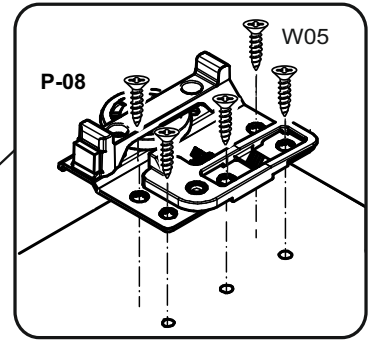
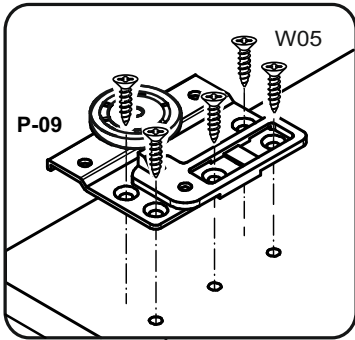


25

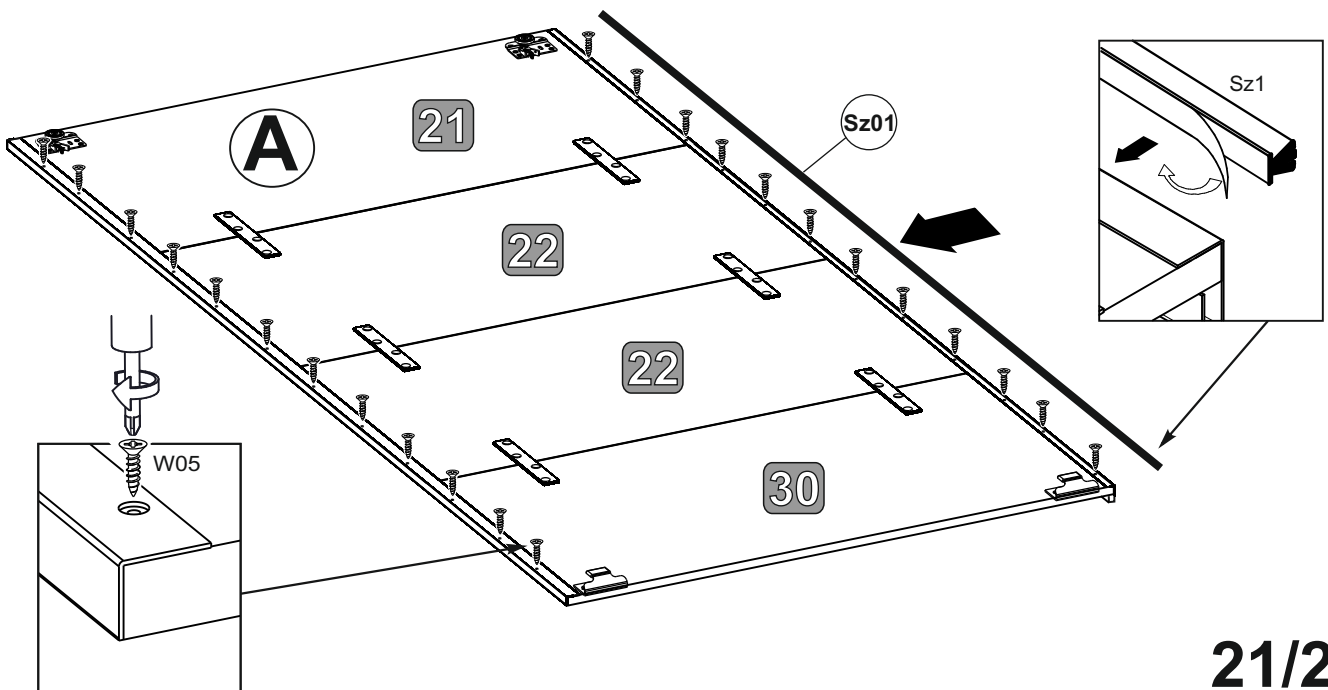
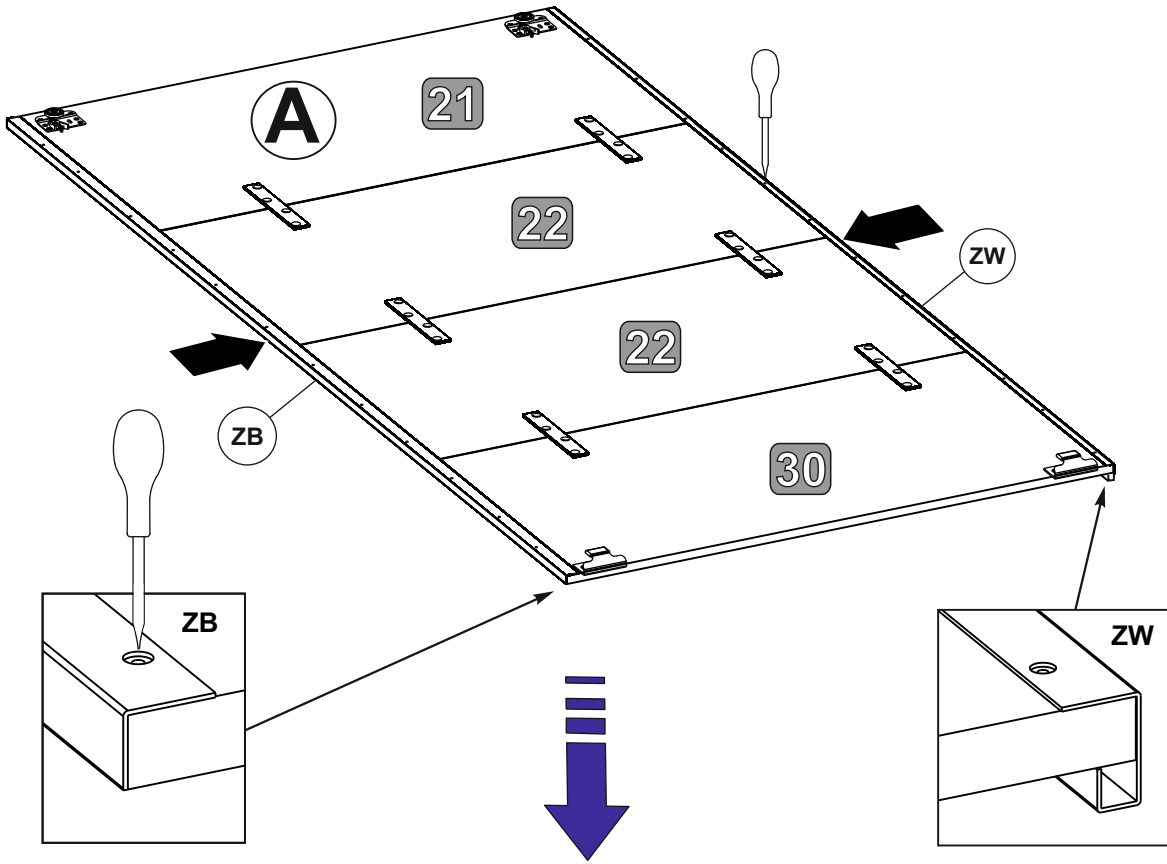
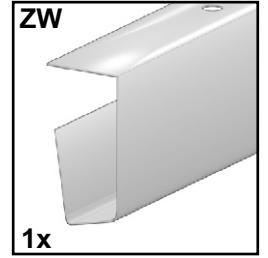
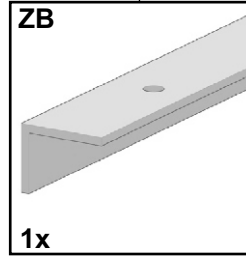
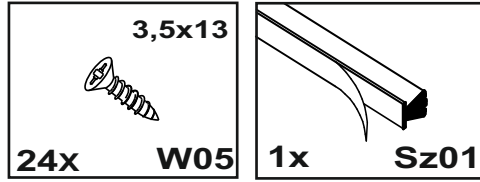


26

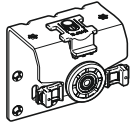
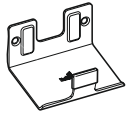
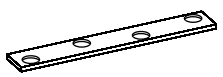

 1x P09	 2x P06	 1x P08	 6x B10	 3,5x13 38x W05
---	---	---	---	--

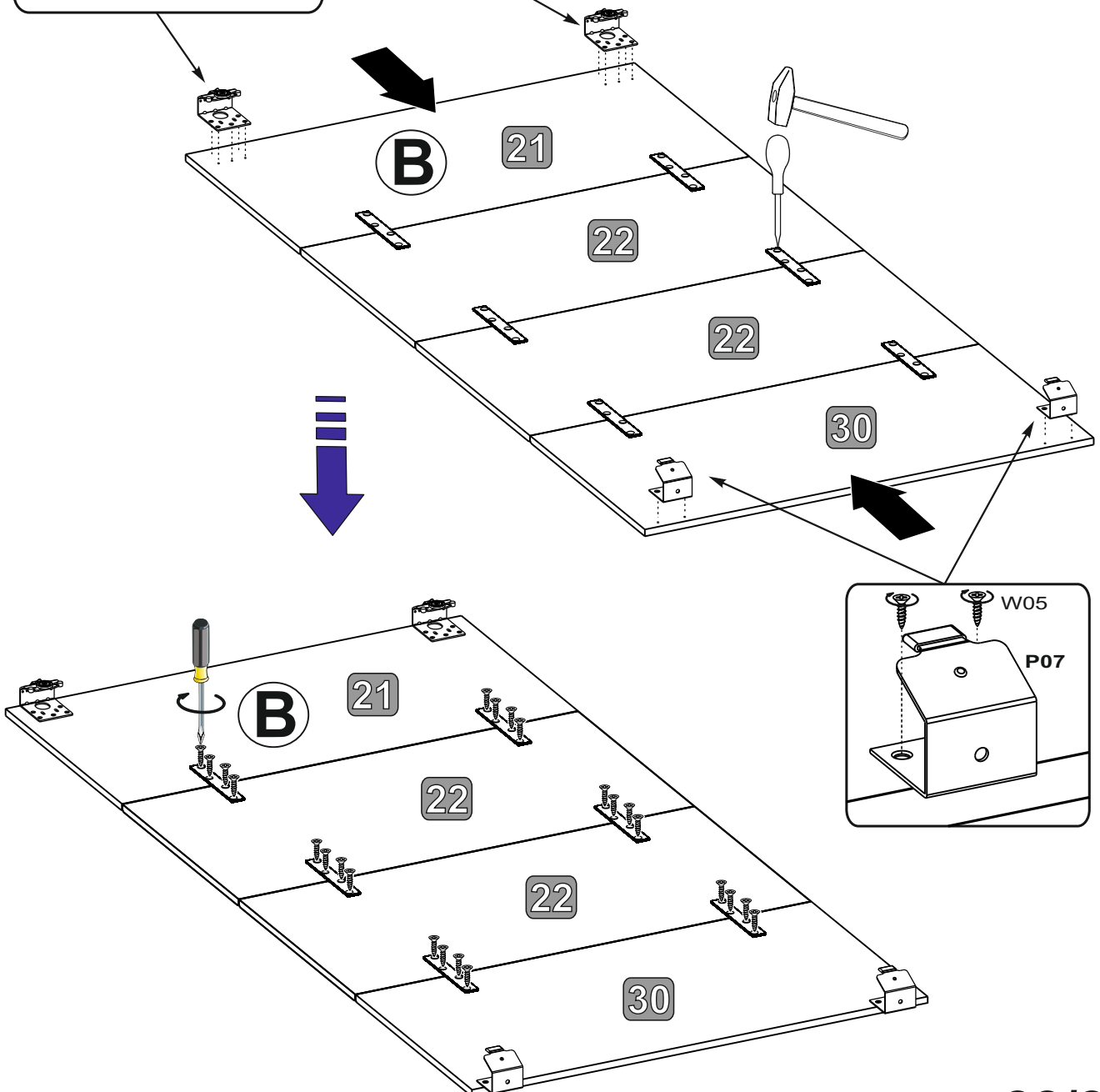
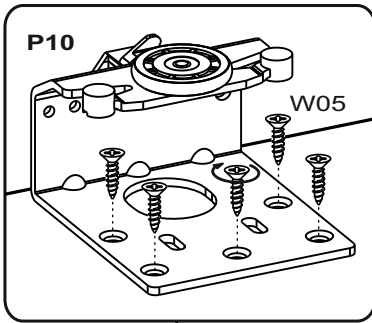


27

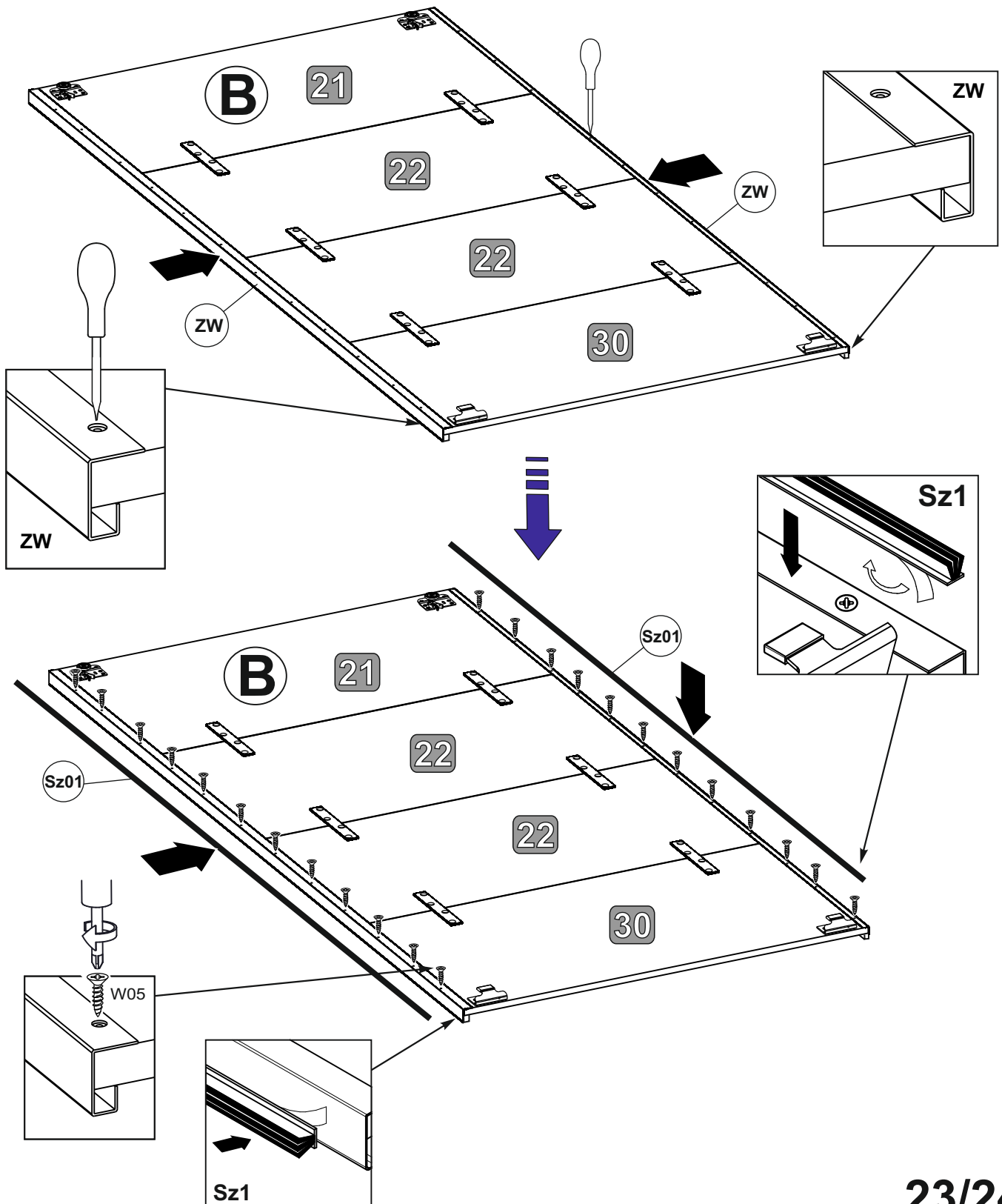
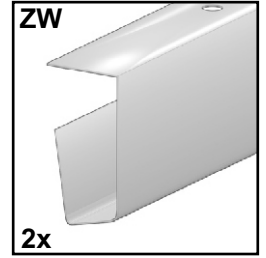
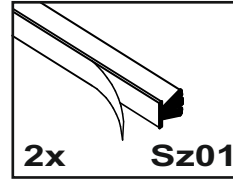
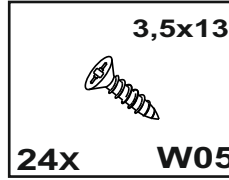


28

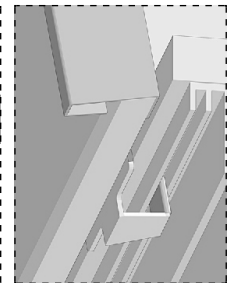
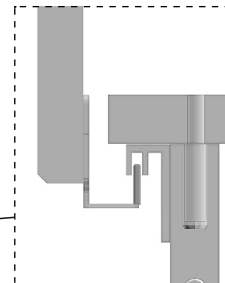
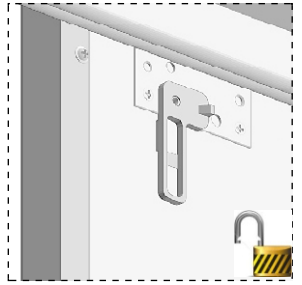
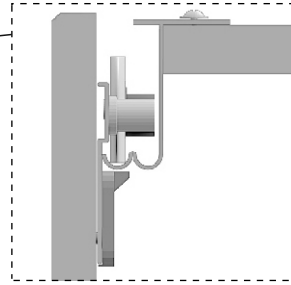
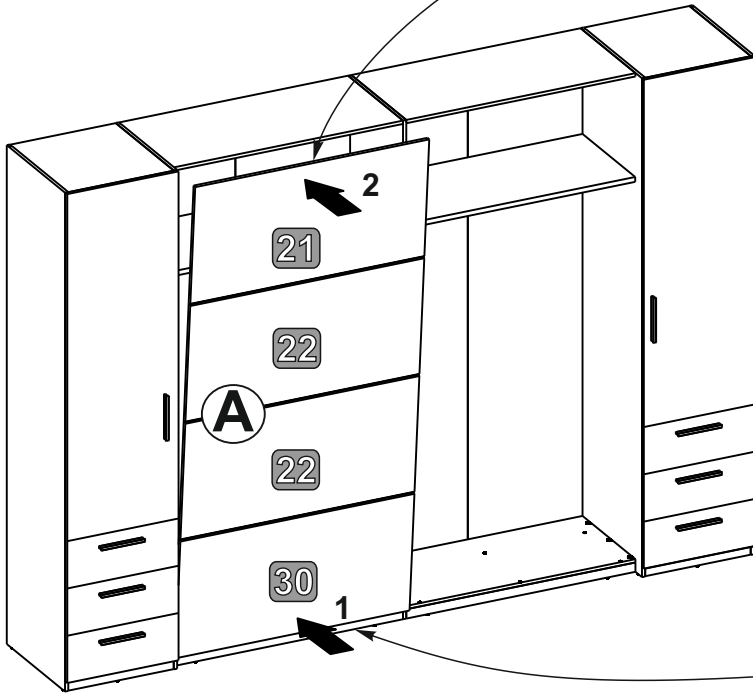
 2x P10	 2x P07	 6x B10	 3,5x13 38x W05
---	---	---	--



29



30



31

