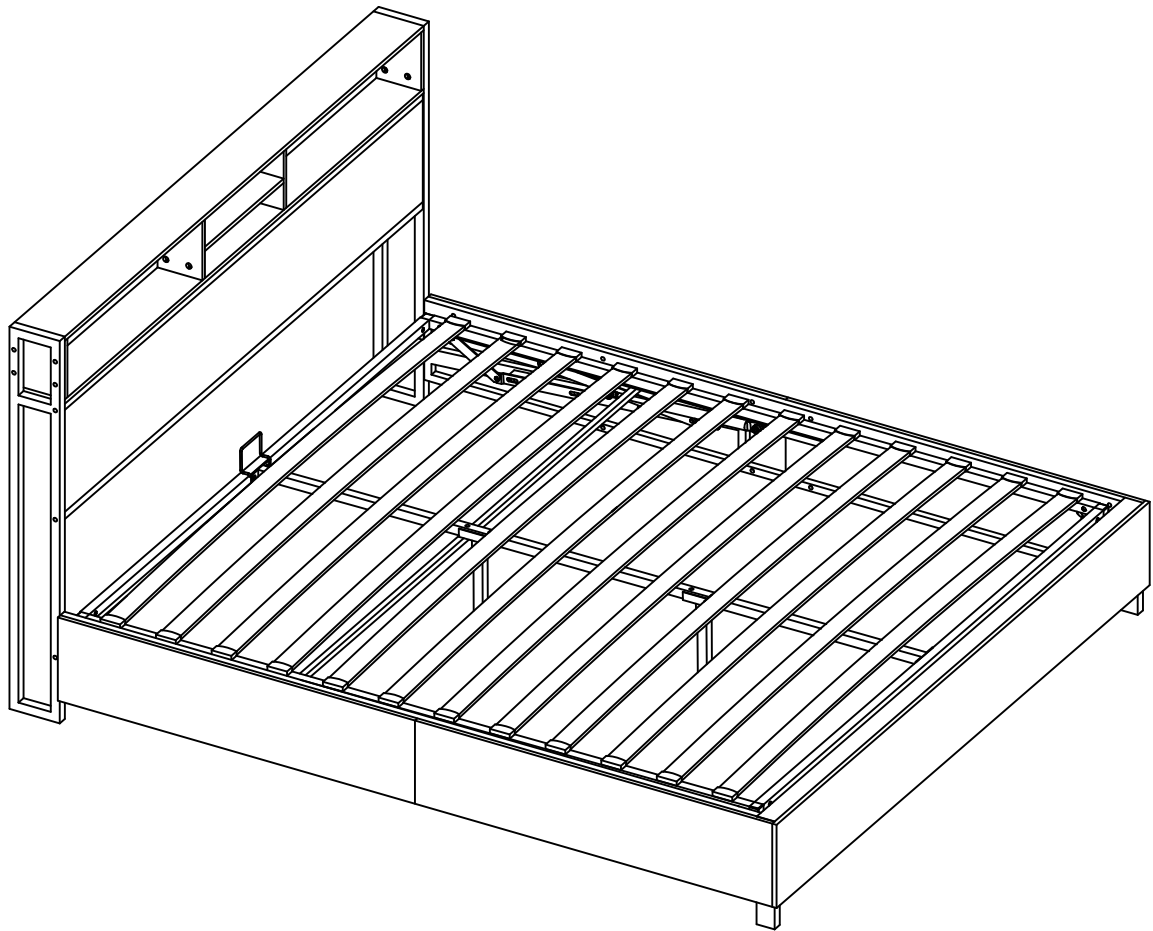
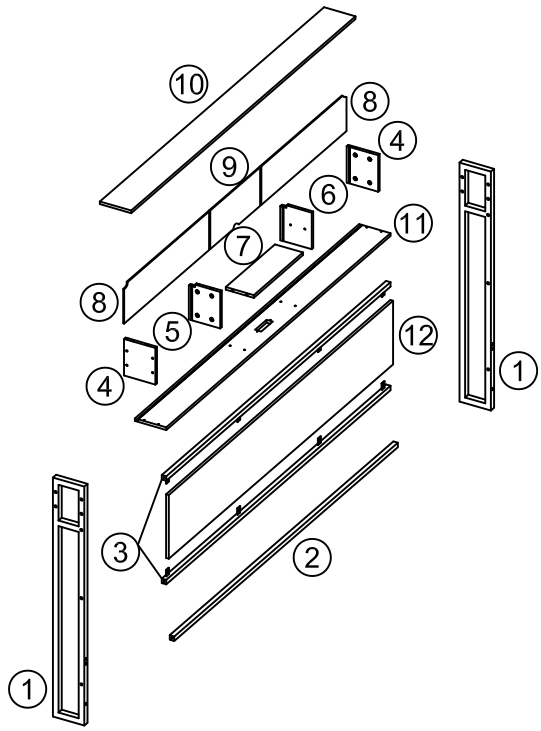
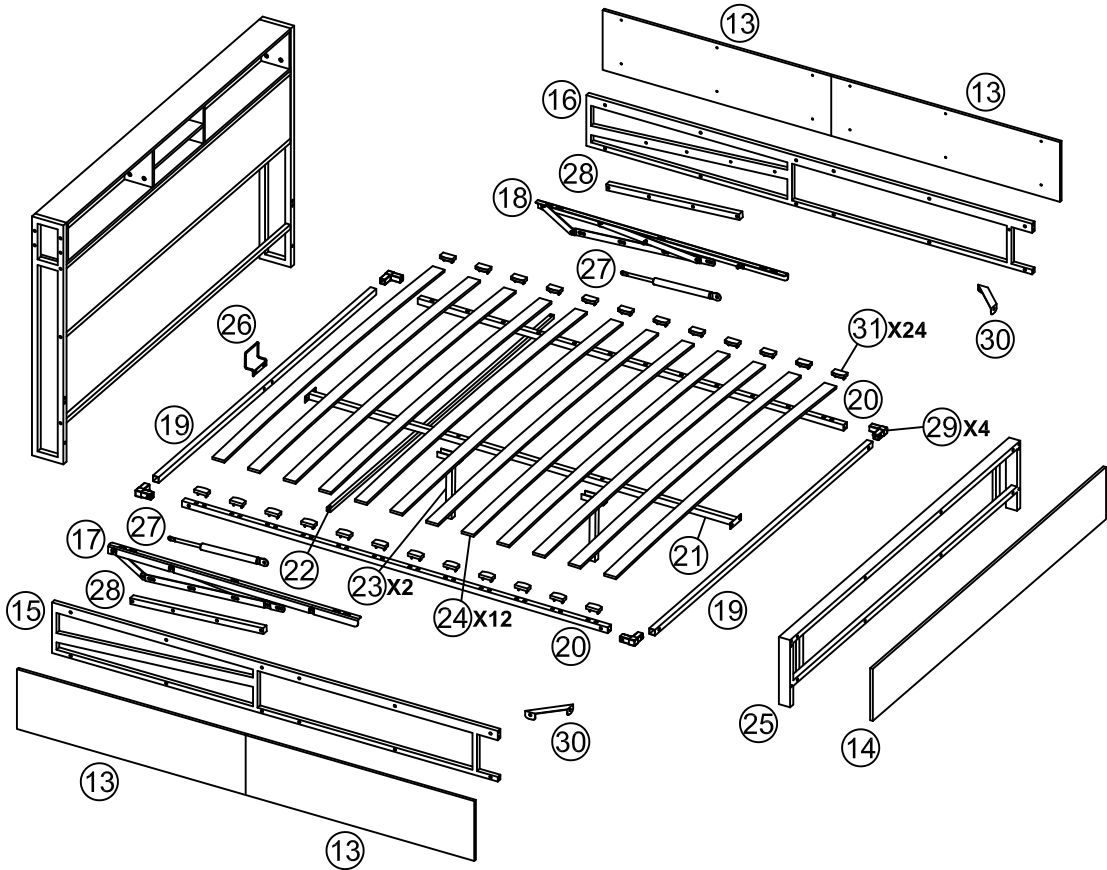


# Assembly Instruction

SKU:WF321565  
SKU:WF321566

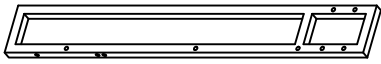


# Parts list



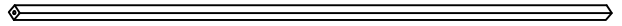
# Parts list for WF321565

①



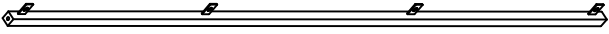
X2

②



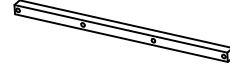
X1

③



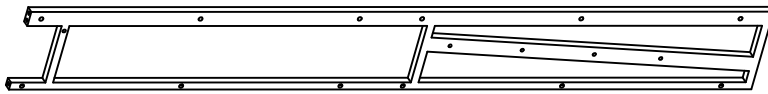
X2

②8



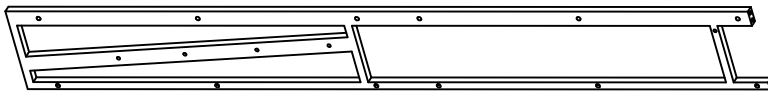
X2

⑮



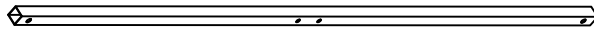
X1

⑮



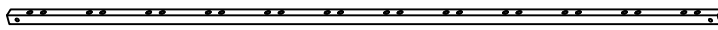
X1

⑮



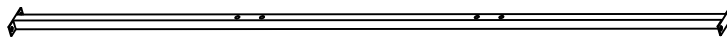
X2

⑮



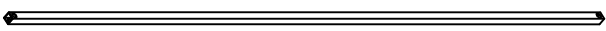
X2

⑮



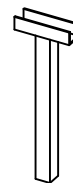
X1

⑮



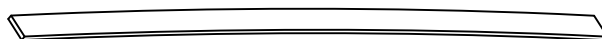
X1

⑮



X2

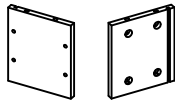
⑮



X12

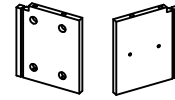
# Parts list for WF321566

④



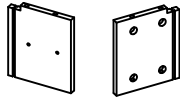
X2

⑤



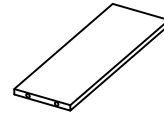
X1

⑥



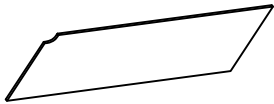
X1

⑦



X1

⑧



X2

⑨



X1

⑩



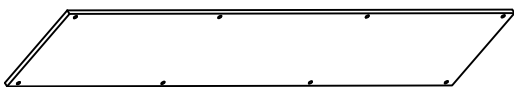
X1

⑪



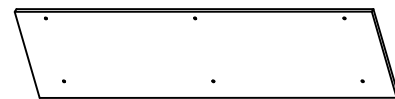
X1

⑫



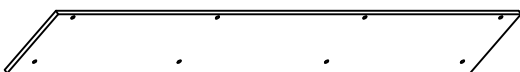
X1

⑬



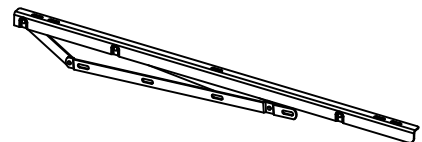
X4

⑭



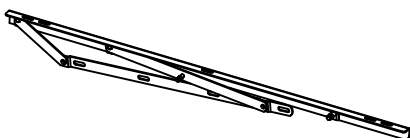
X1

⑰



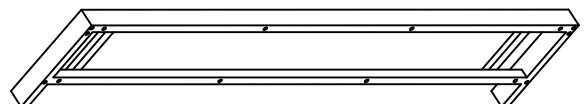
X1

⑱



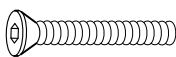
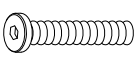






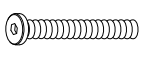
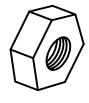


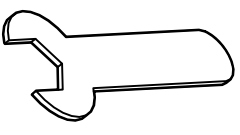
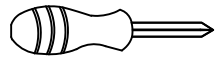
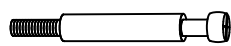


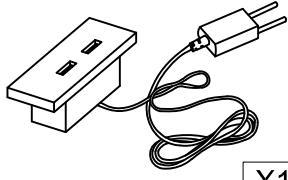

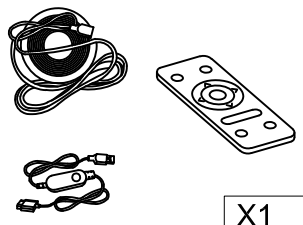
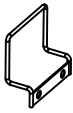
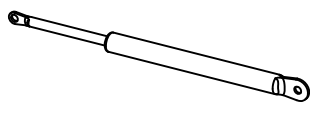
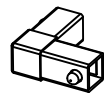


X1

⑳

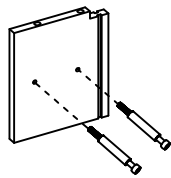
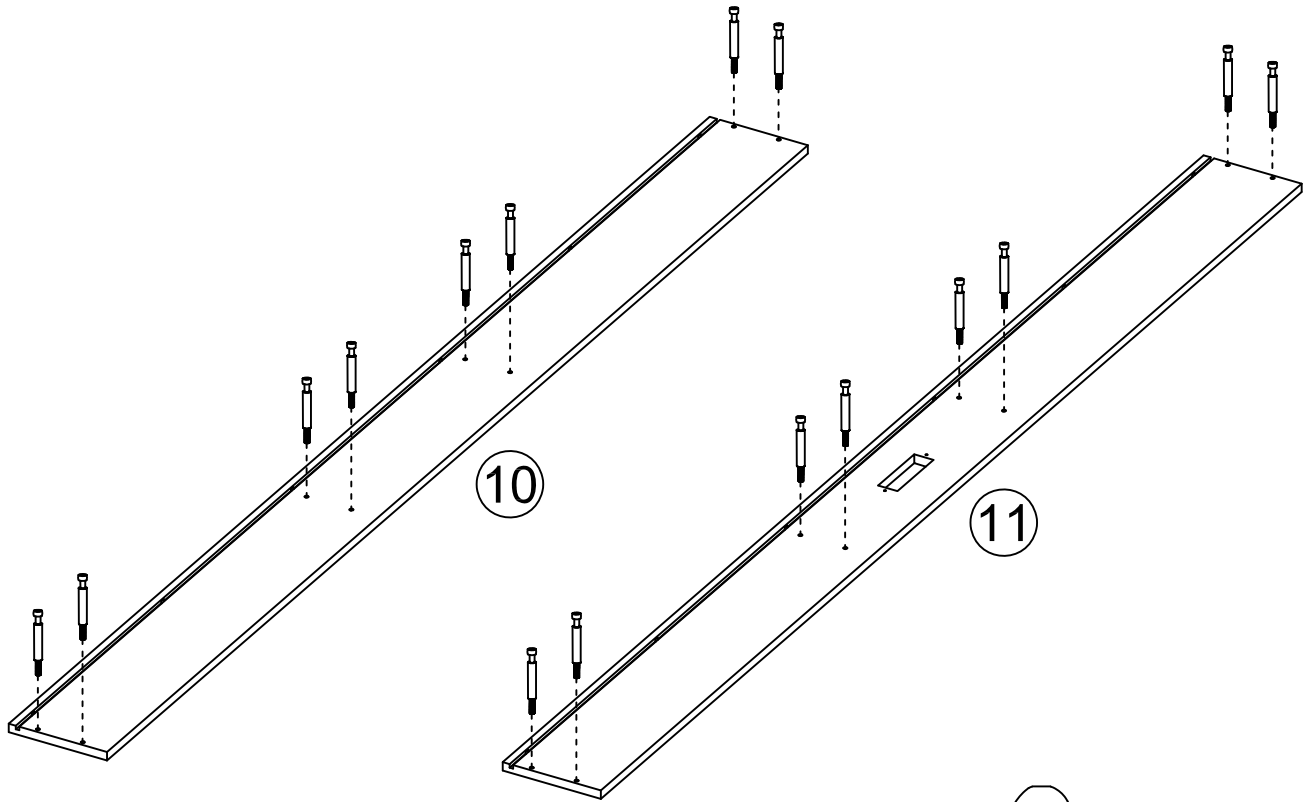


X1

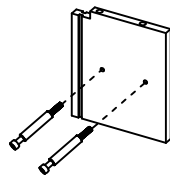
# Hardware list for WF321565

<p>(A)</p>  <p>M8×70mm</p> <p>X6</p>	<p>(B)</p>  <p>M8×45mm</p> <p>X20</p>	<p>(C)</p>  <p>M8×35mm</p> <p>X4</p>	<p>(D)</p>  <p>M6×12mm</p> <p>X8</p>
<p>(E)</p>  <p>M6×15mm</p> <p>X4</p>	<p>(F)</p>  <p>M6×20mm</p> <p>X12</p>	<p>(G)</p>  <p>M6×30mm</p> <p>X24</p>	<p>(H)</p>  <p>M6×35mm</p> <p>X14</p>
<p>(I)</p>  <p>M6×60mm</p> <p>X4</p>	<p>(J)</p>  <p>M8</p> <p>X4</p>	<p>(K)</p>  <p>M4</p> <p>X1</p>	<p>(L)</p>  <p>M5</p> <p>X1</p>
<p>(M)</p>  <p>M8</p> <p>X1</p>	<p>(N)</p>  <p>X1</p>	<p>(O)</p>  <p>X20</p>	<p>(P)</p>  <p>X20</p>
<p>(Q)</p>  <p>M3x12mm</p> <p>X2</p>	<p>(R)</p>  <p>X1</p>	<p>(S)</p>  <p>X1</p>	<p>(T)</p>  <p>X1</p>
<p>(26)</p>  <p>X1</p>	<p>(27)</p>  <p>X2</p>	<p>(29)</p>  <p>X4</p>	
<p>(30)</p>  <p>X2</p>	<p>(31)</p>  <p>X24</p>		

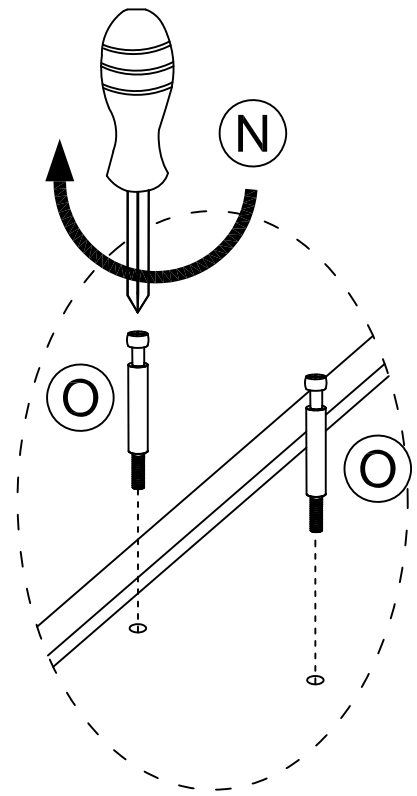
1



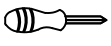



5

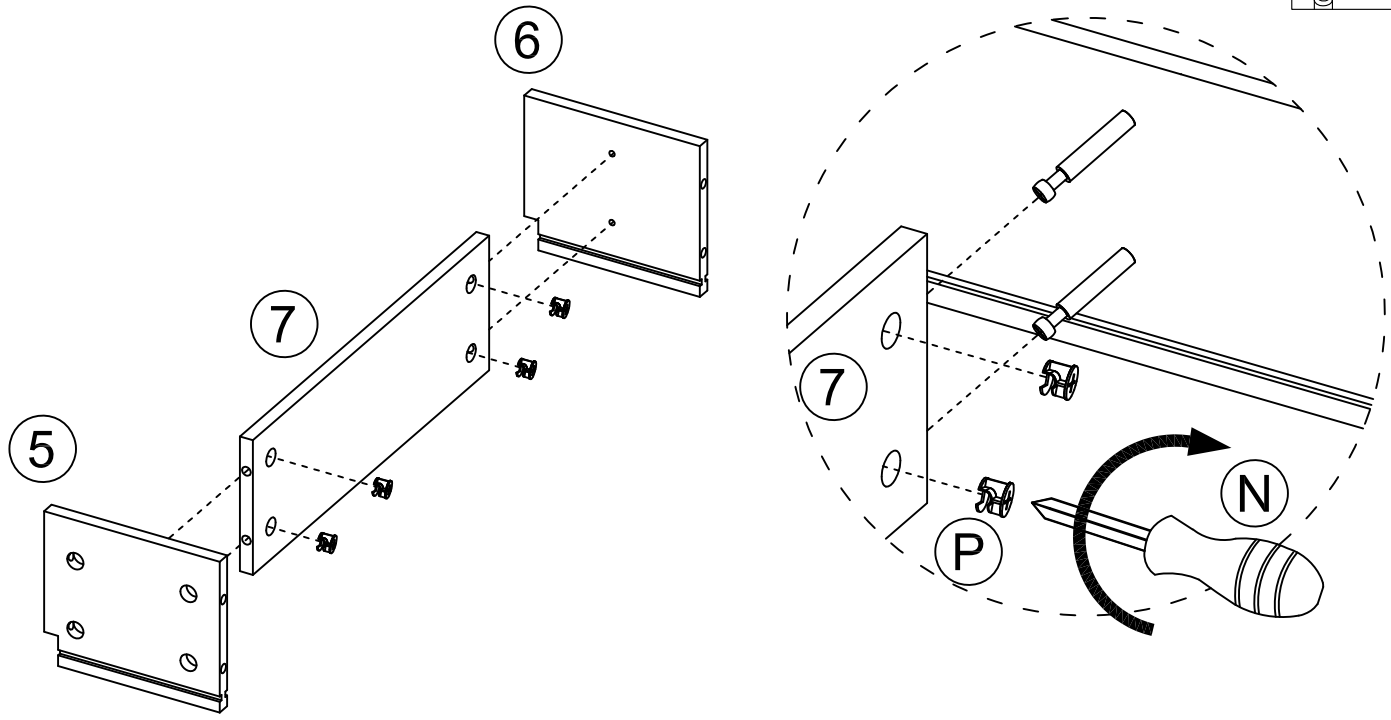
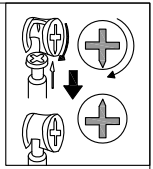



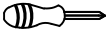
6



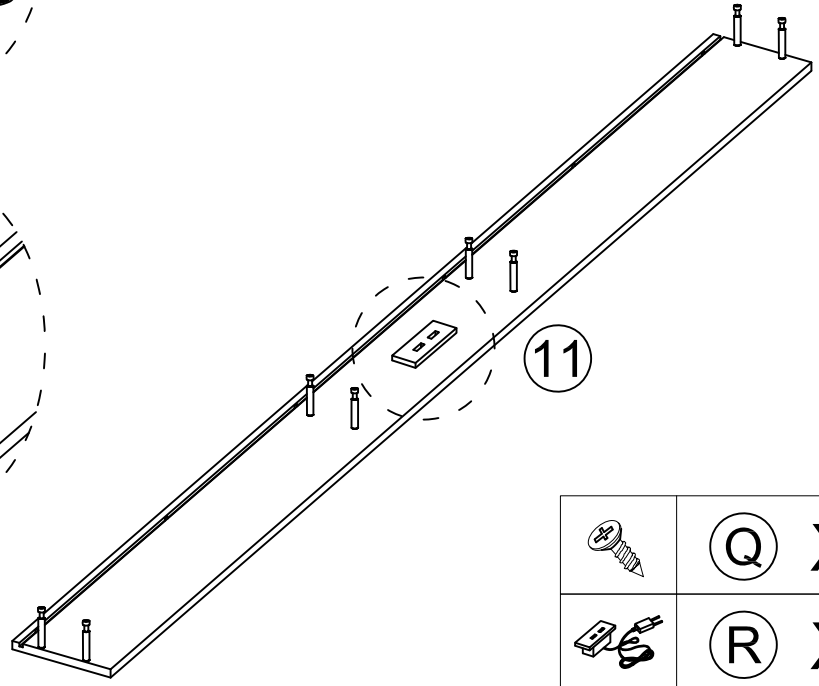
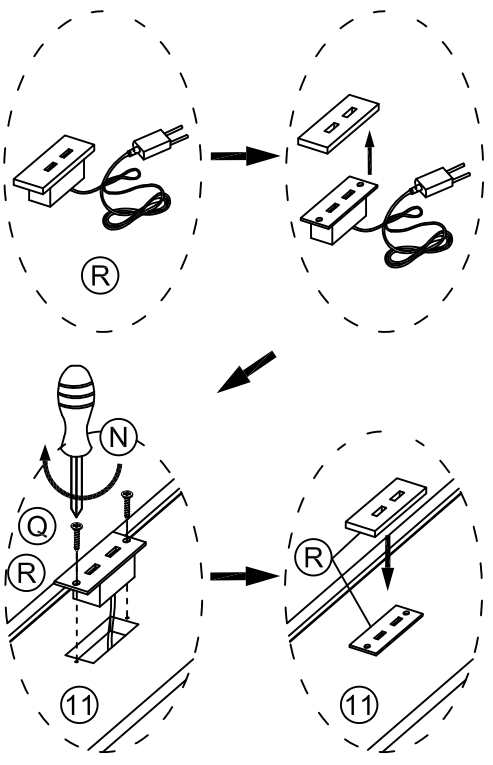
	 X20
	 X1



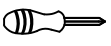
2



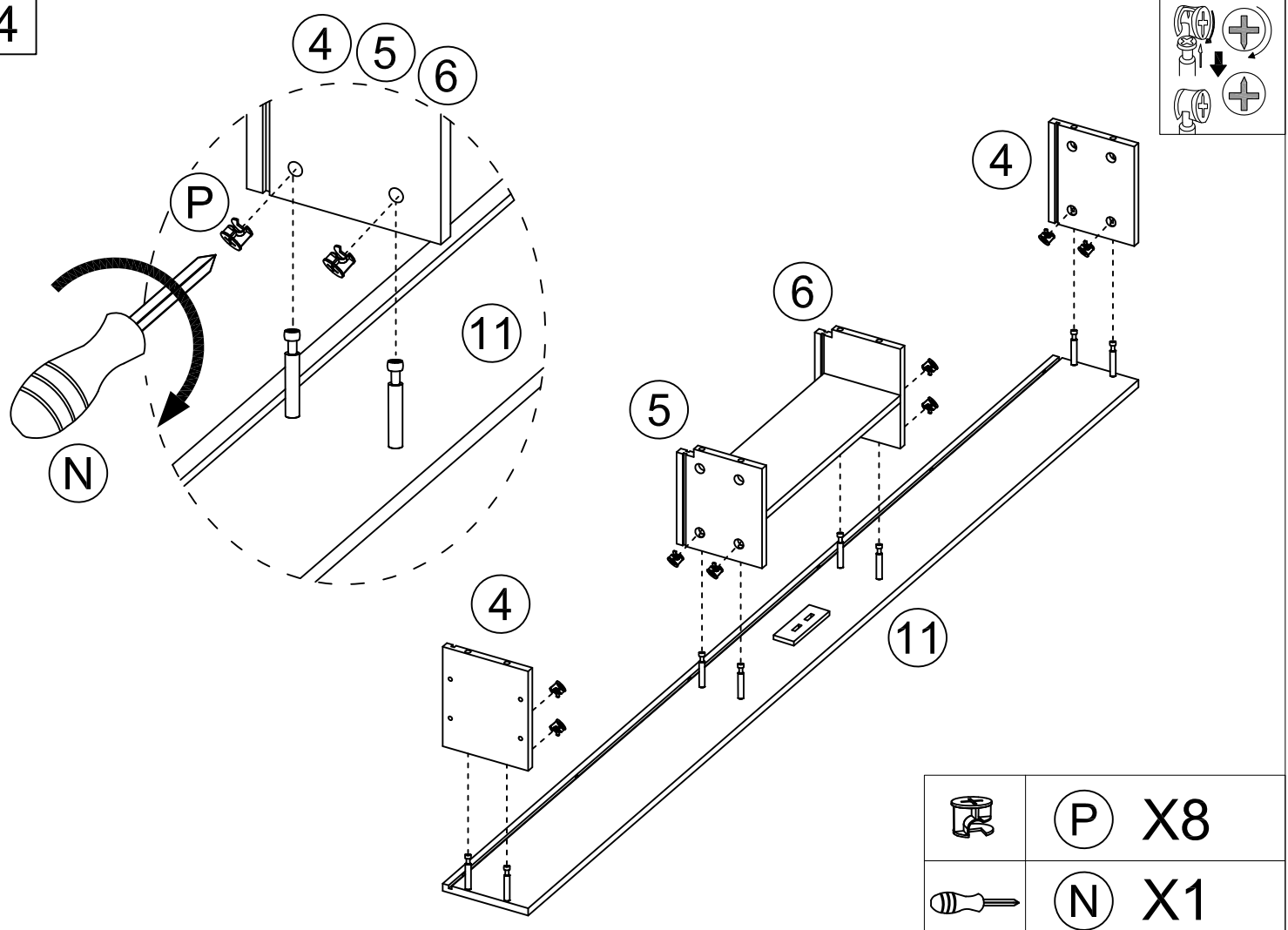
	<b>P</b> X4
	<b>N</b> X1

3

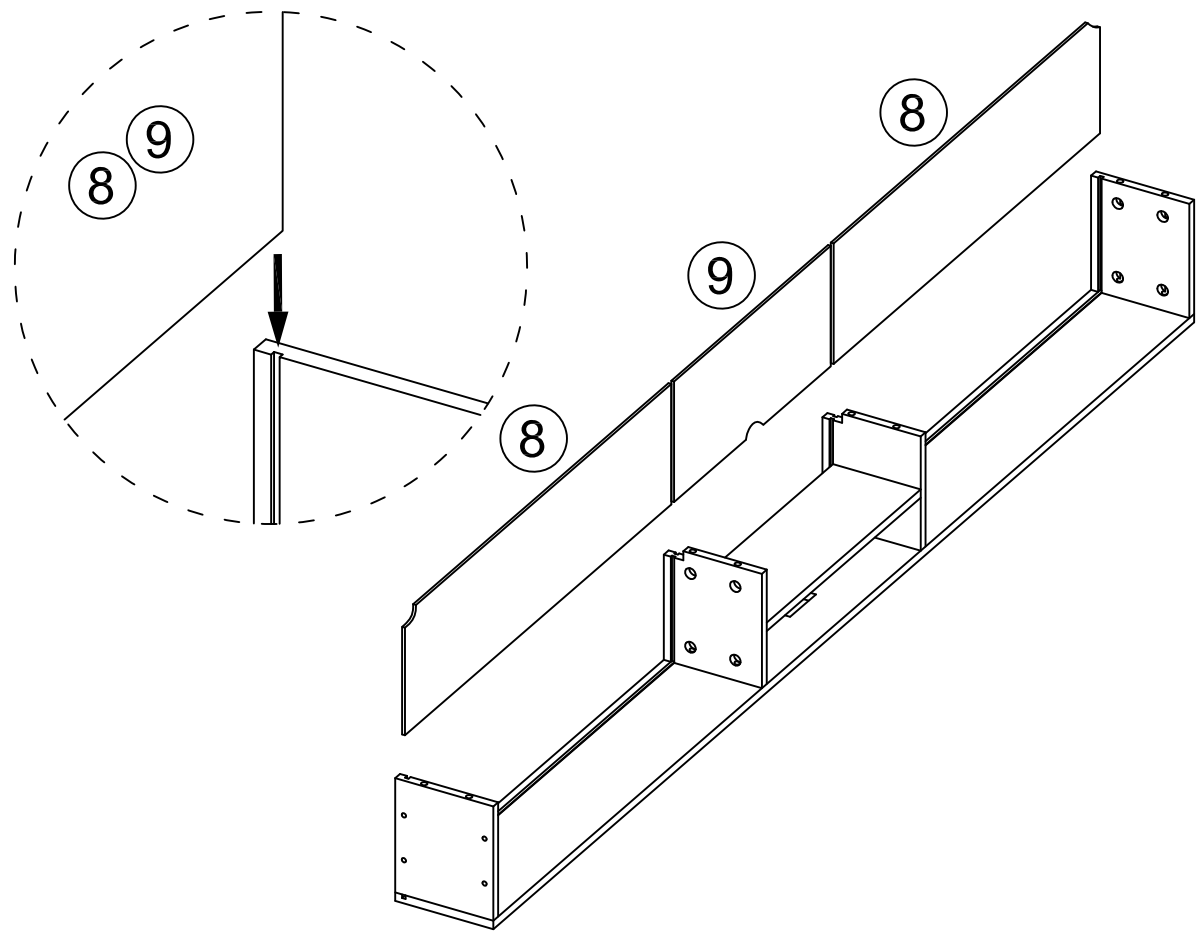


	<b>Q</b> X2
	<b>R</b> X1
	<b>N</b> X1

4

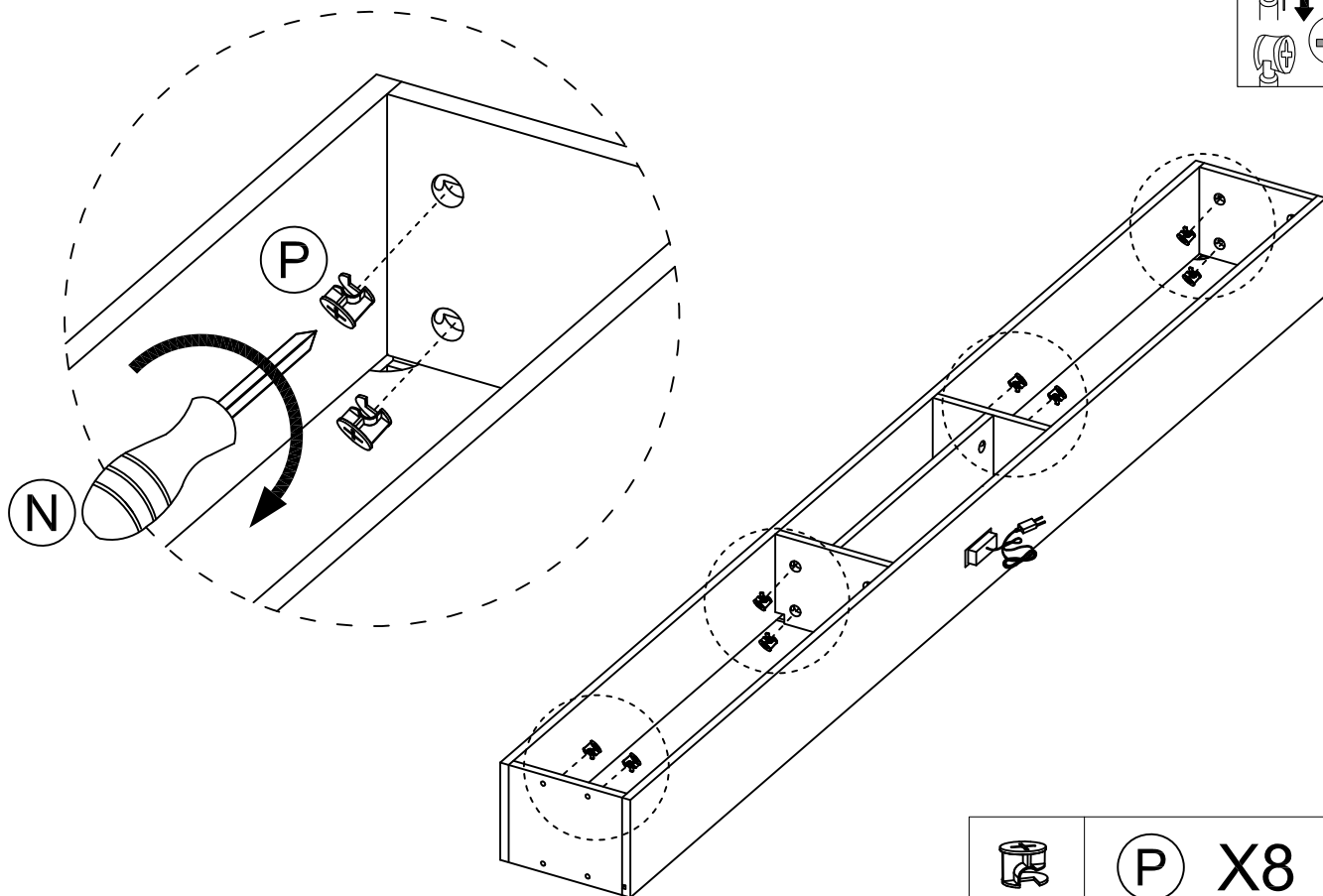
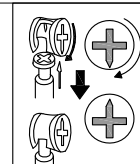


5



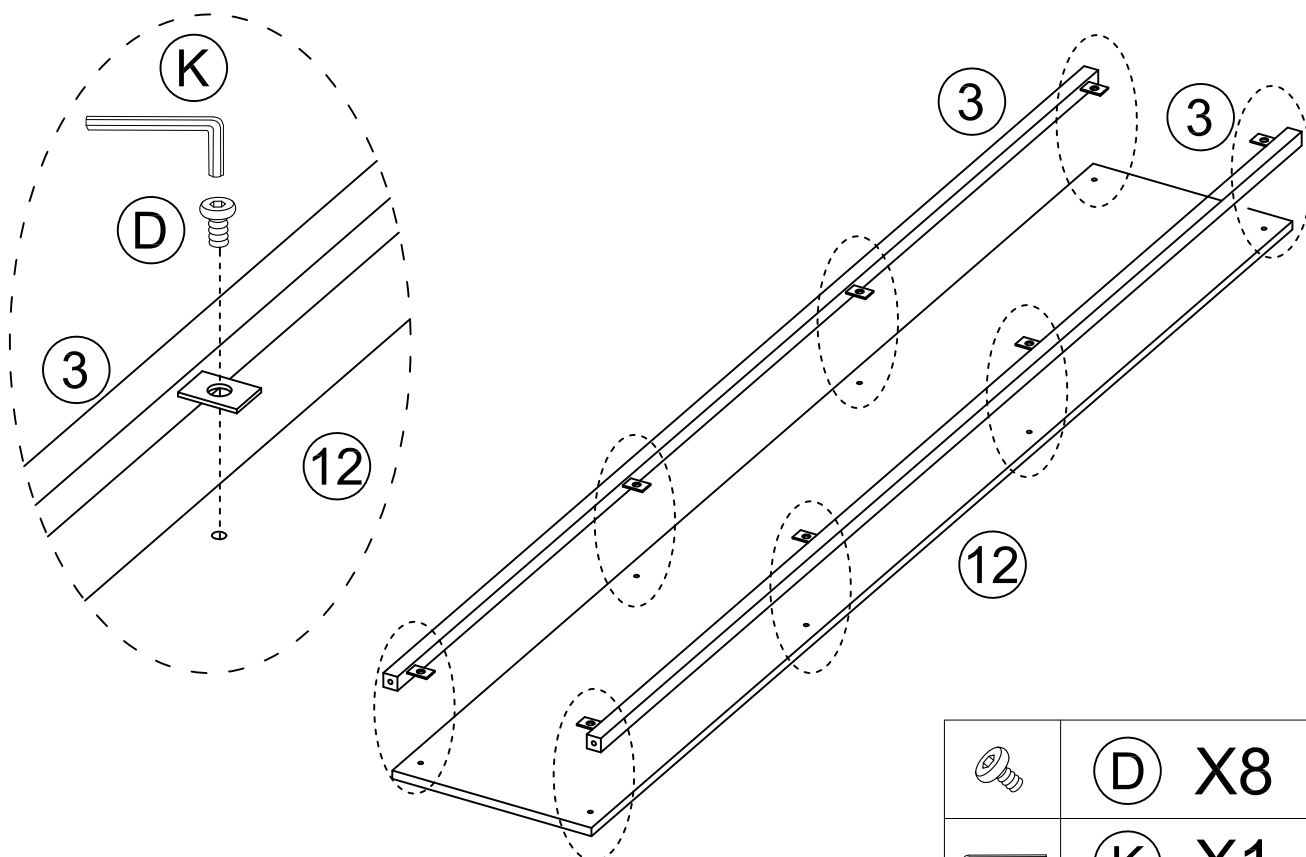


6



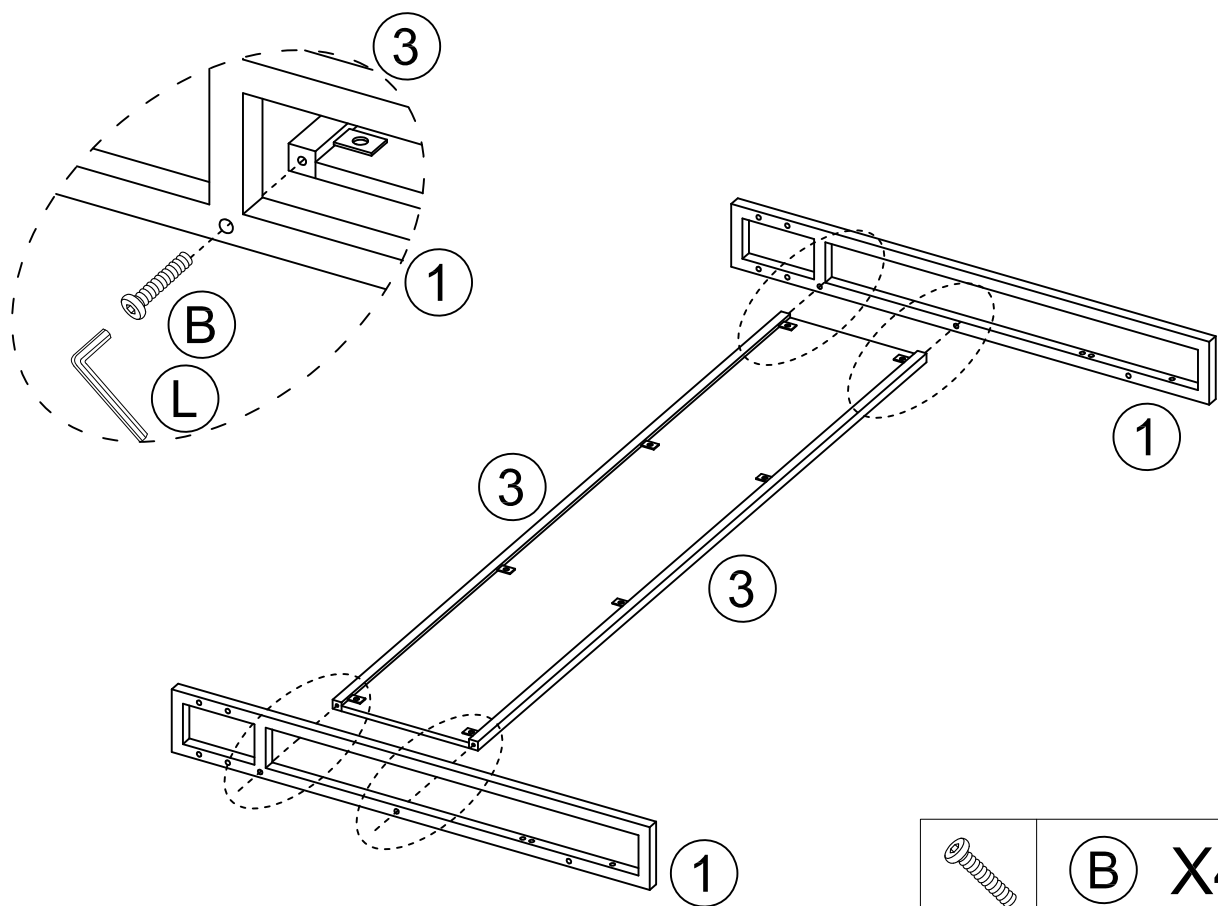
	<b>P</b> X8
	<b>N</b> X1



7



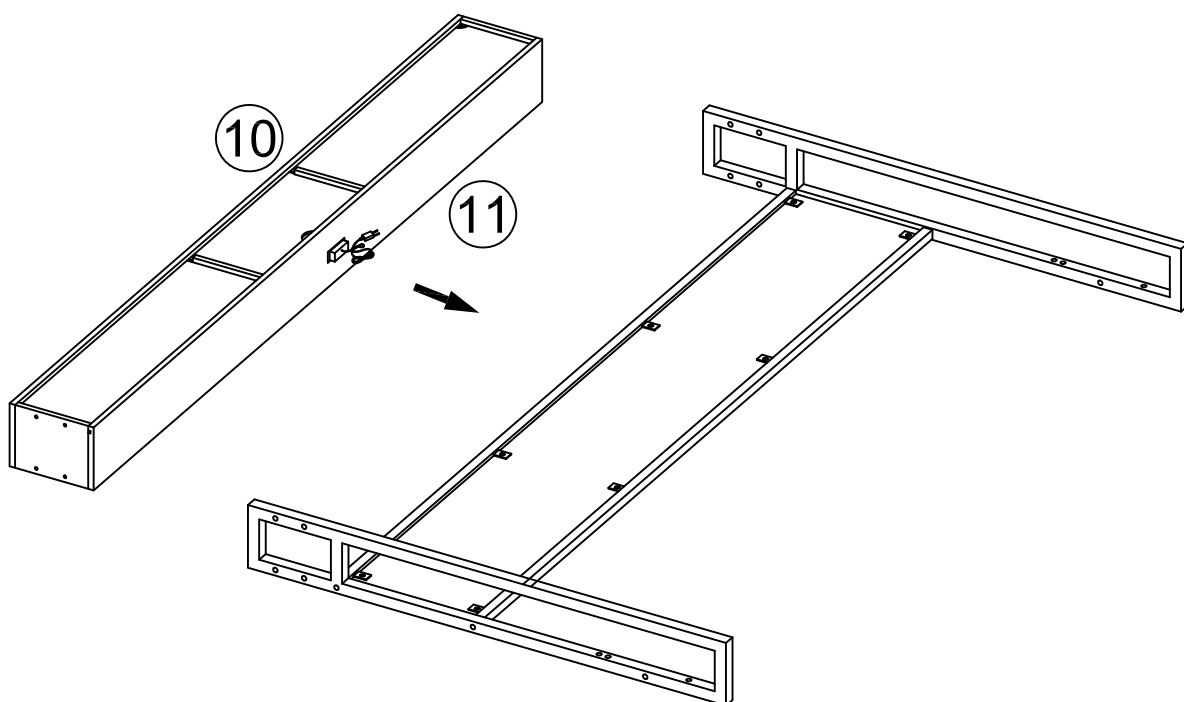
	<b>D</b> X8
	<b>K</b> X1

8

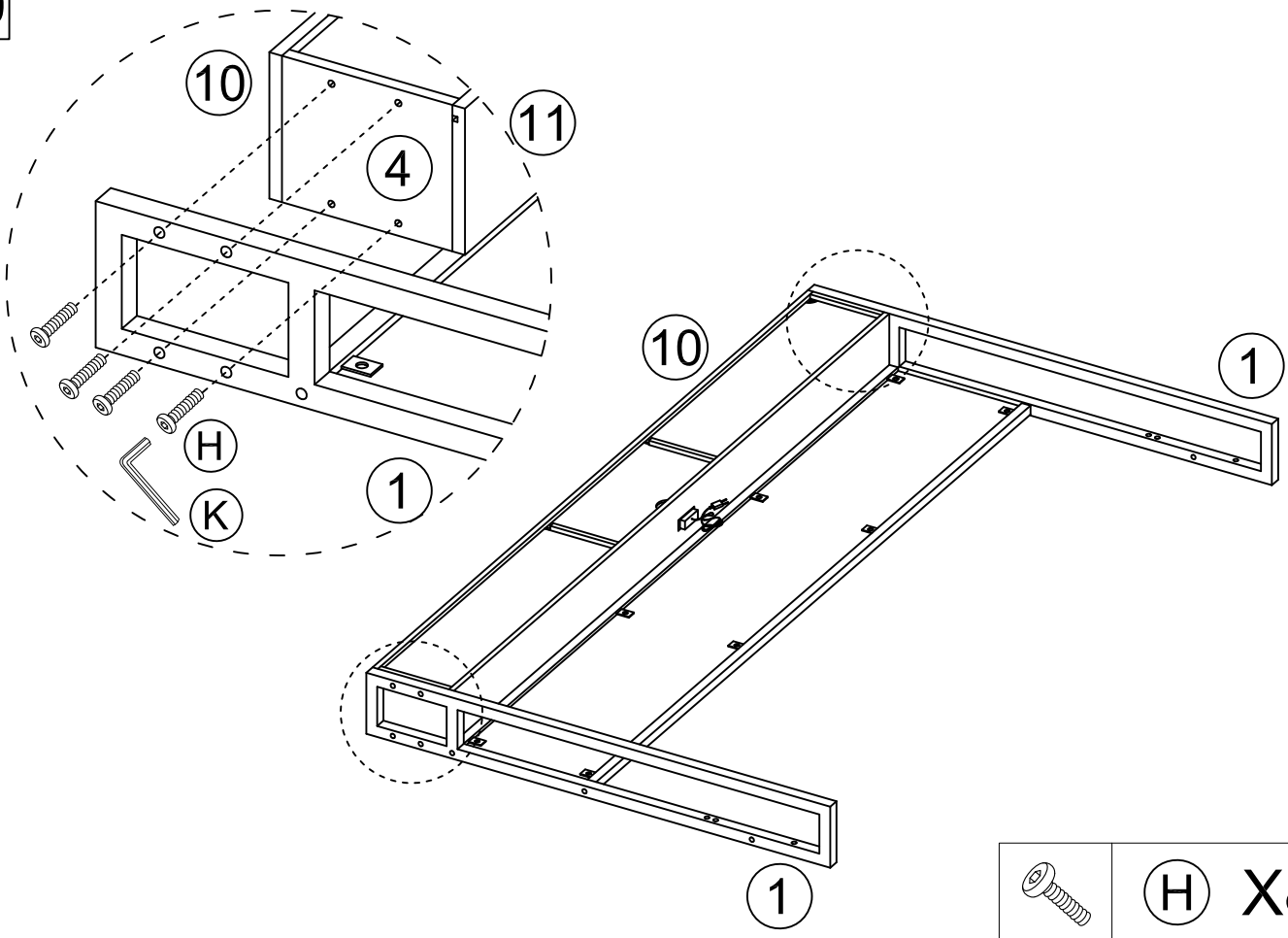




	<b>(B)</b> X4
	<b>(L)</b> X1

9

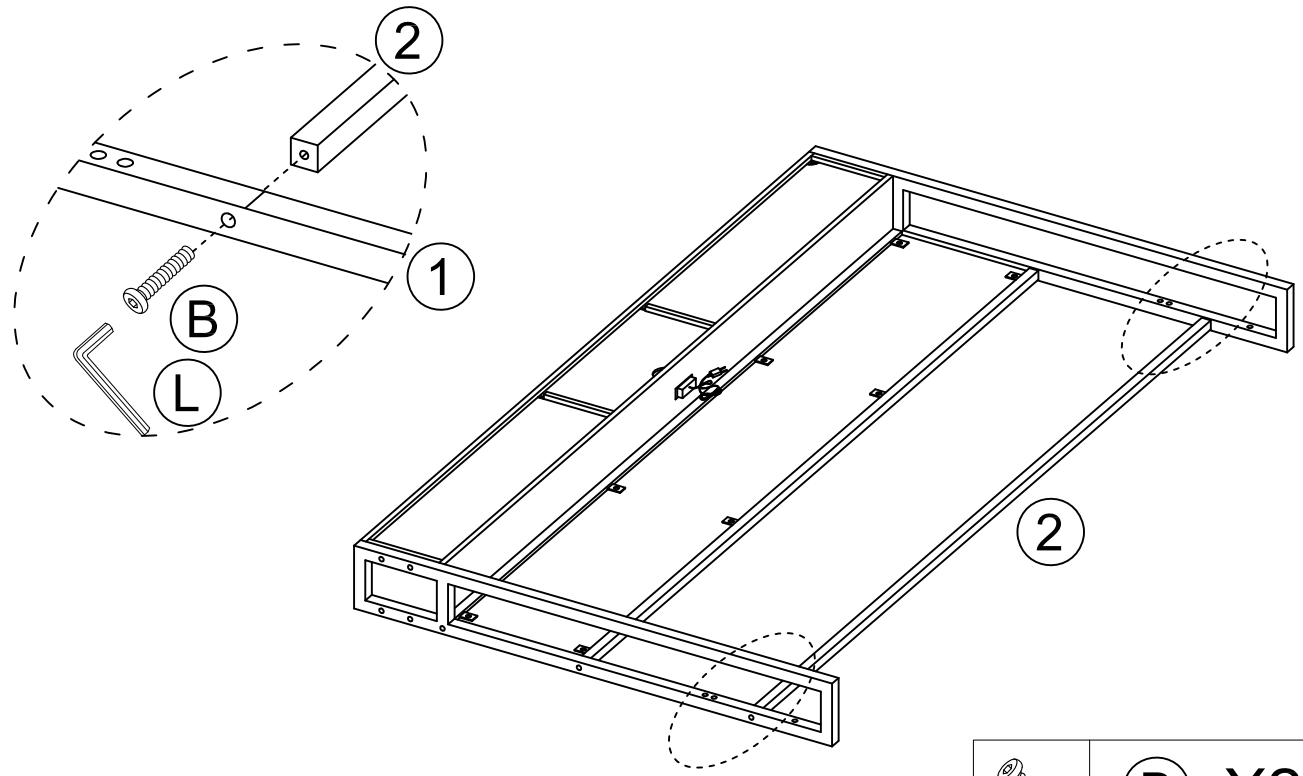




10



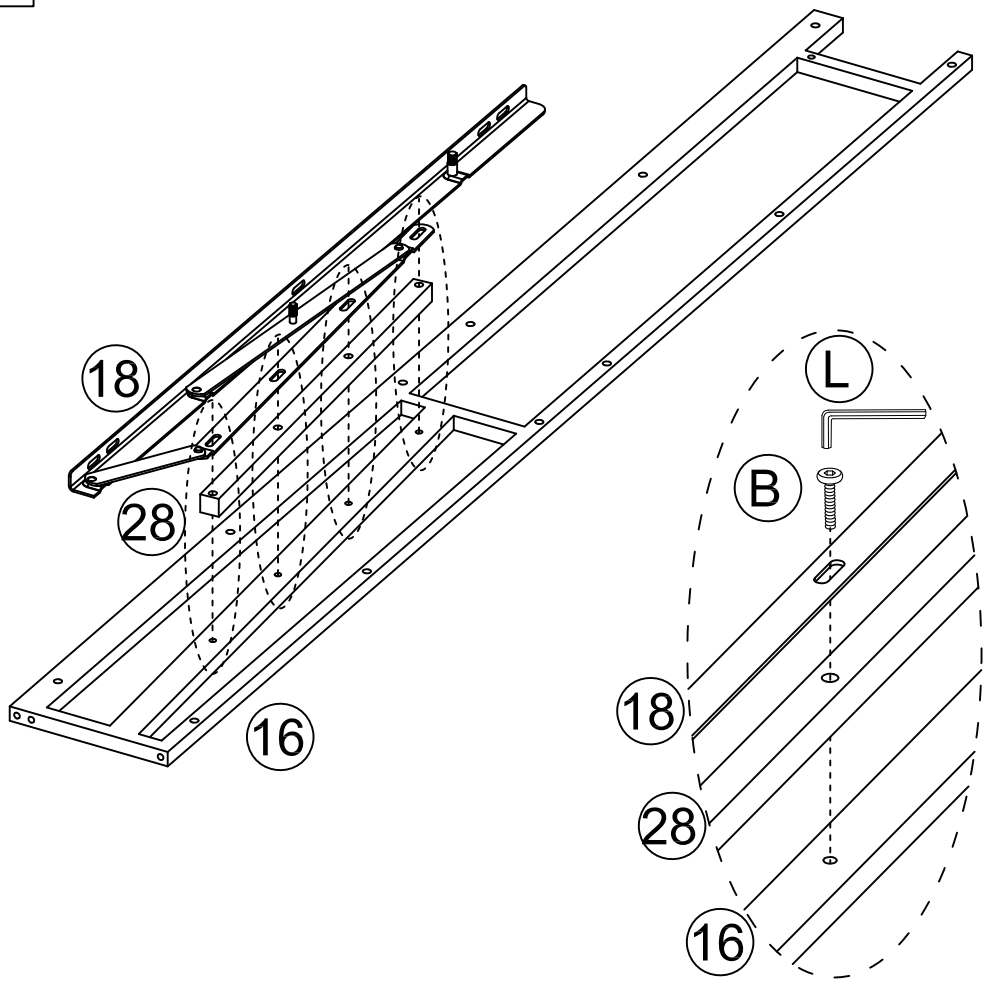
	(H) X8
	(K) X1



11



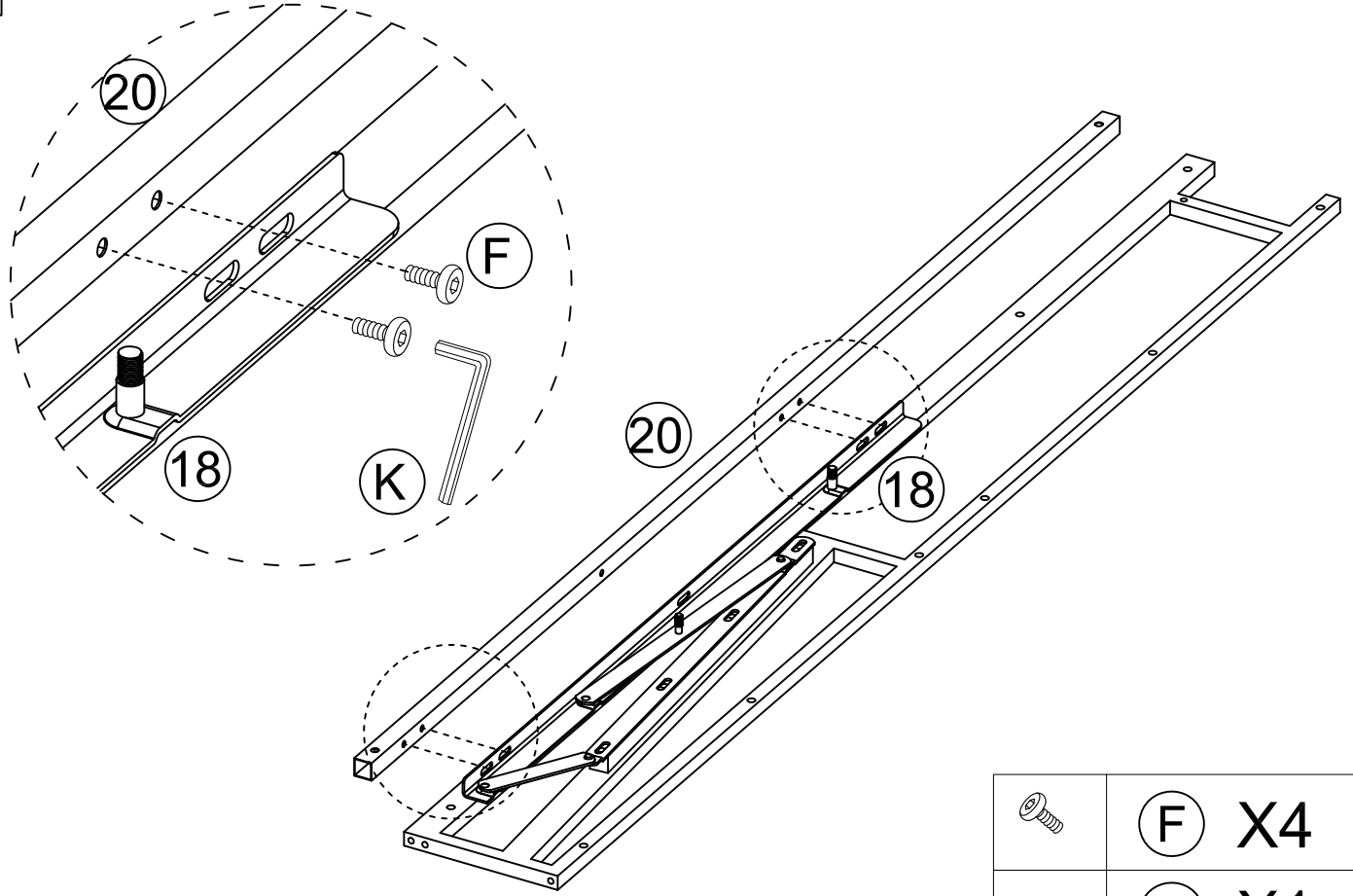
	(B) X2
	(L) X1



12



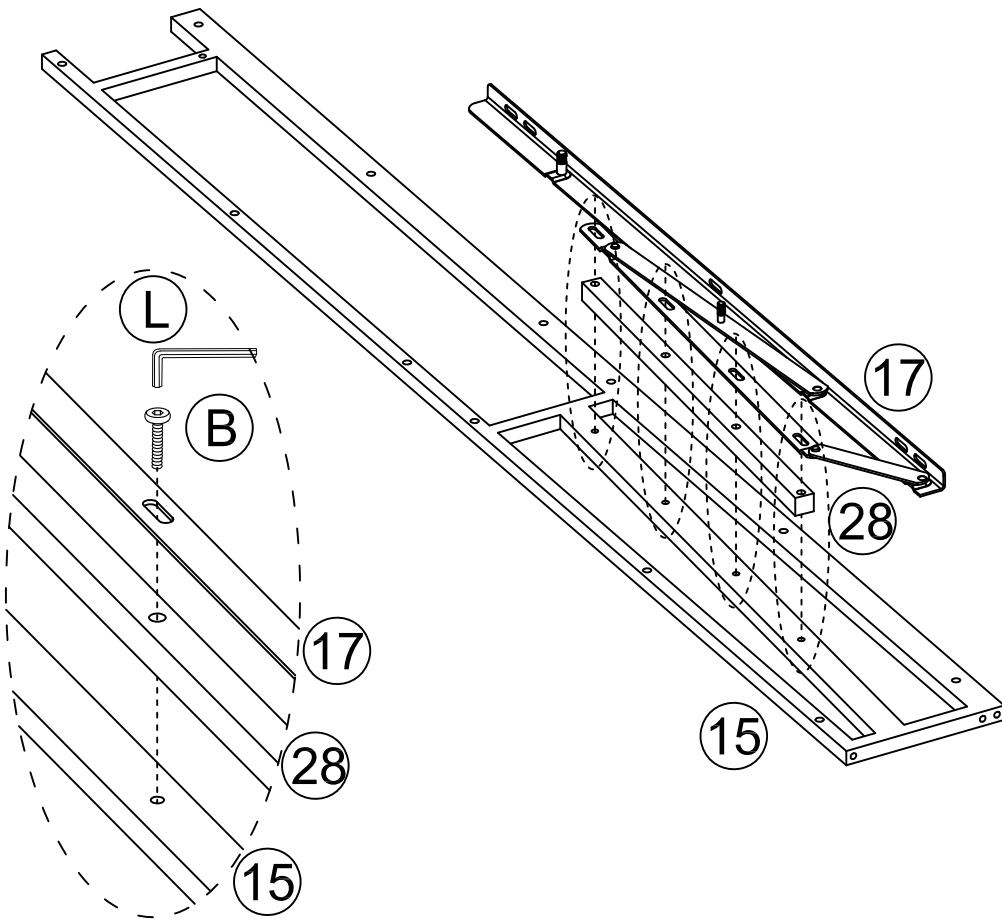
	<b>(B) X4</b>
	<b>(L) X1</b>



13



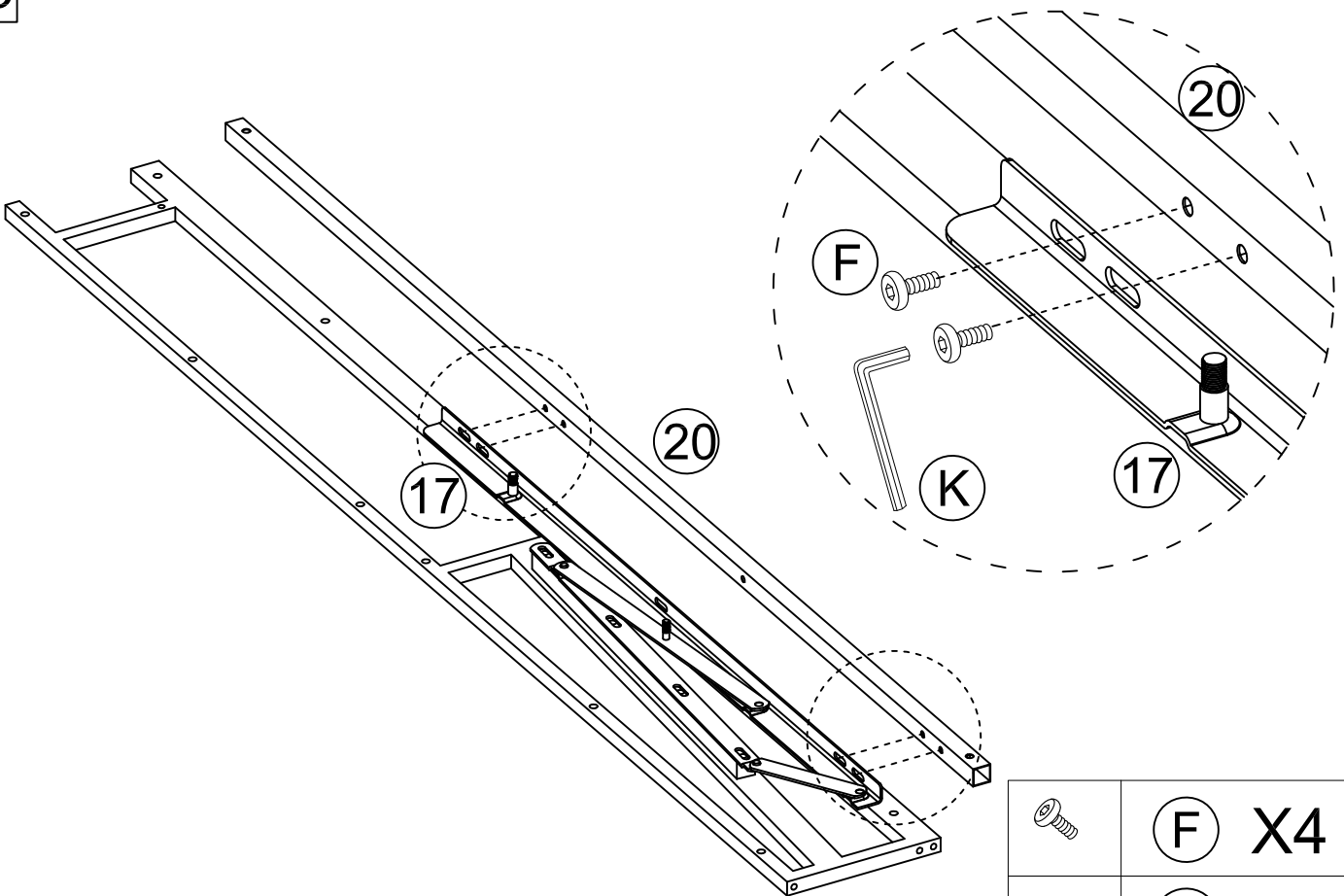
	<b>(F) X4</b>
	<b>(K) X1</b>



14



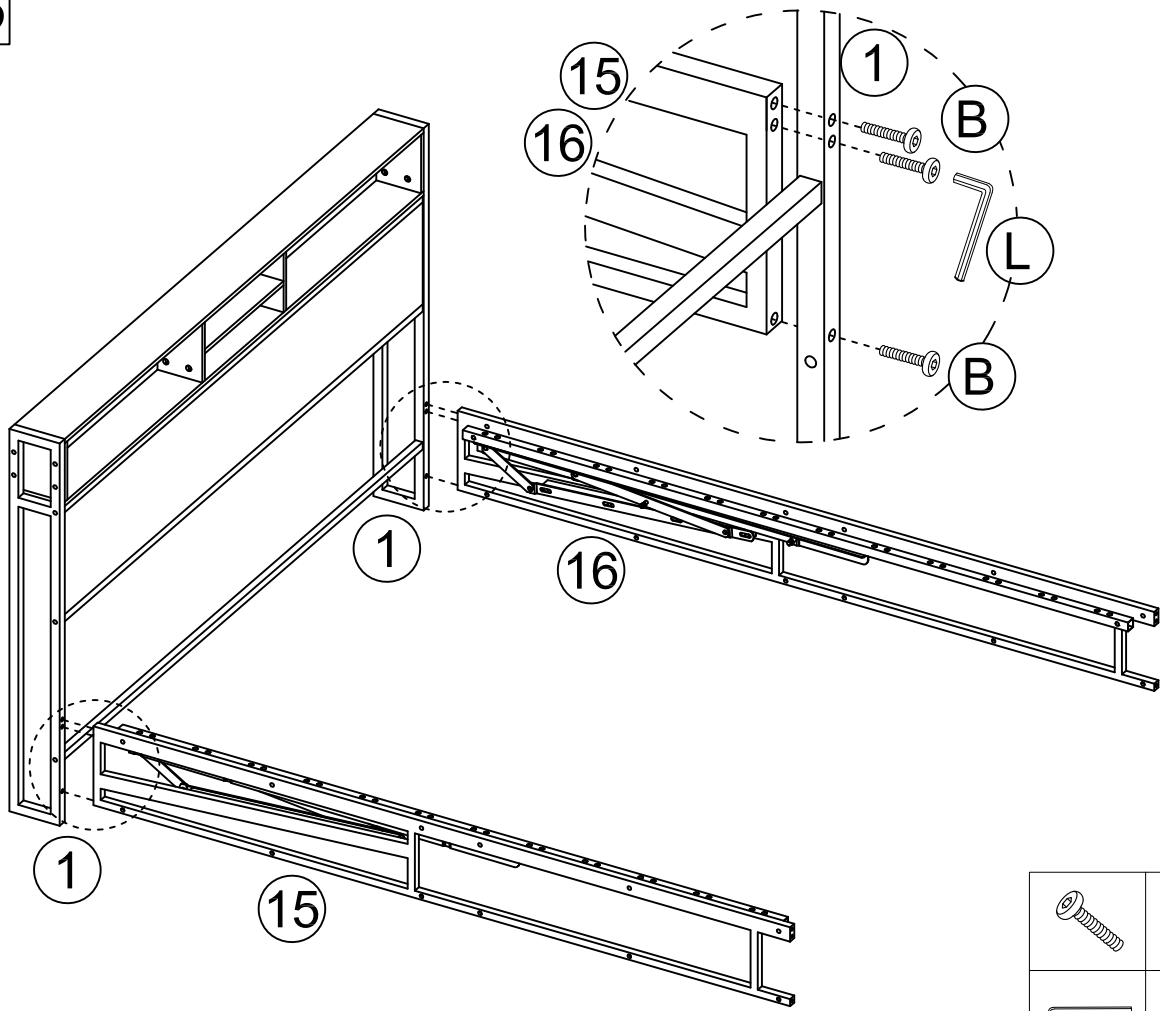
	(B) X4
	(L) X1



15



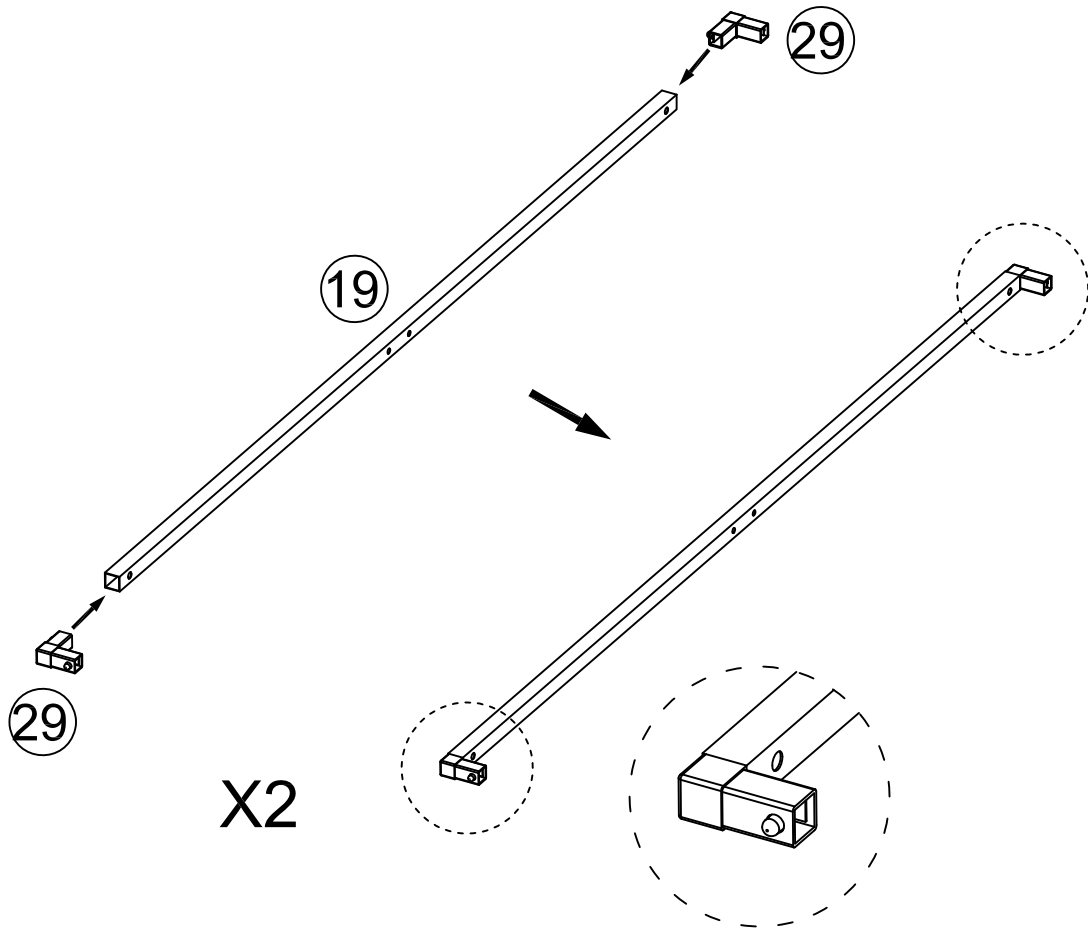
	(F) X4
	(K) X1

16



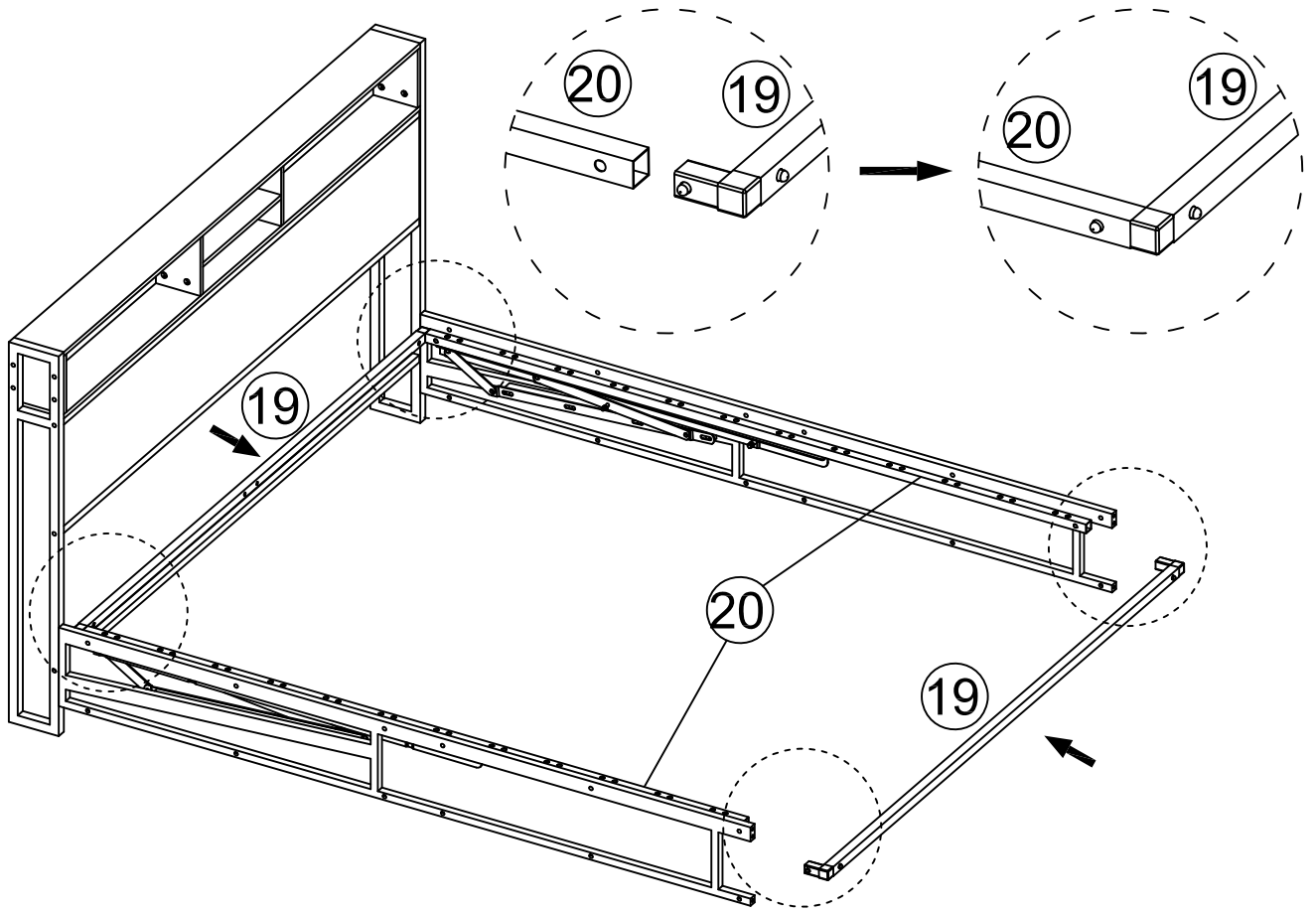
	<b>(B) X6</b>
	<b>(L) X1</b>

17

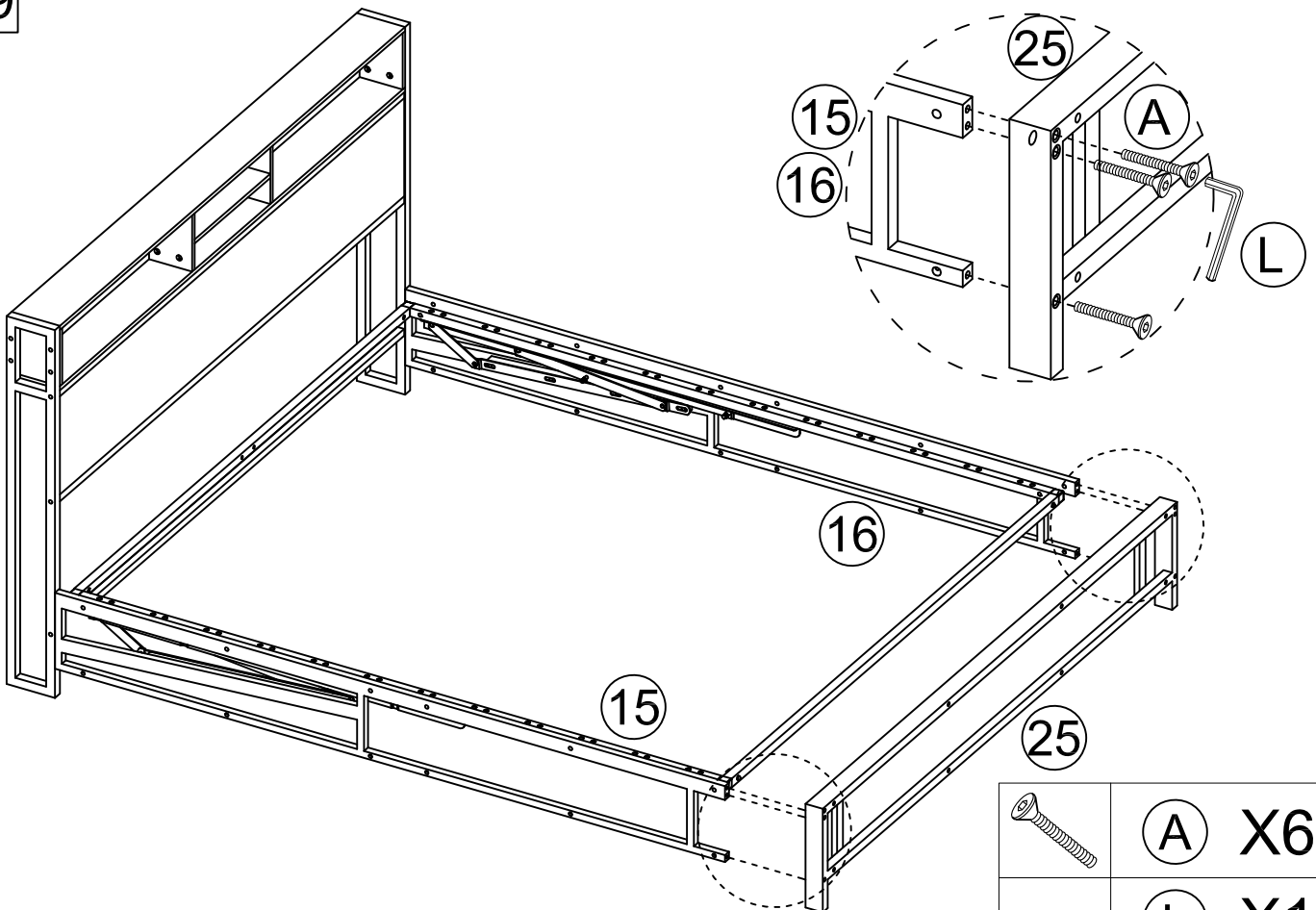


X2

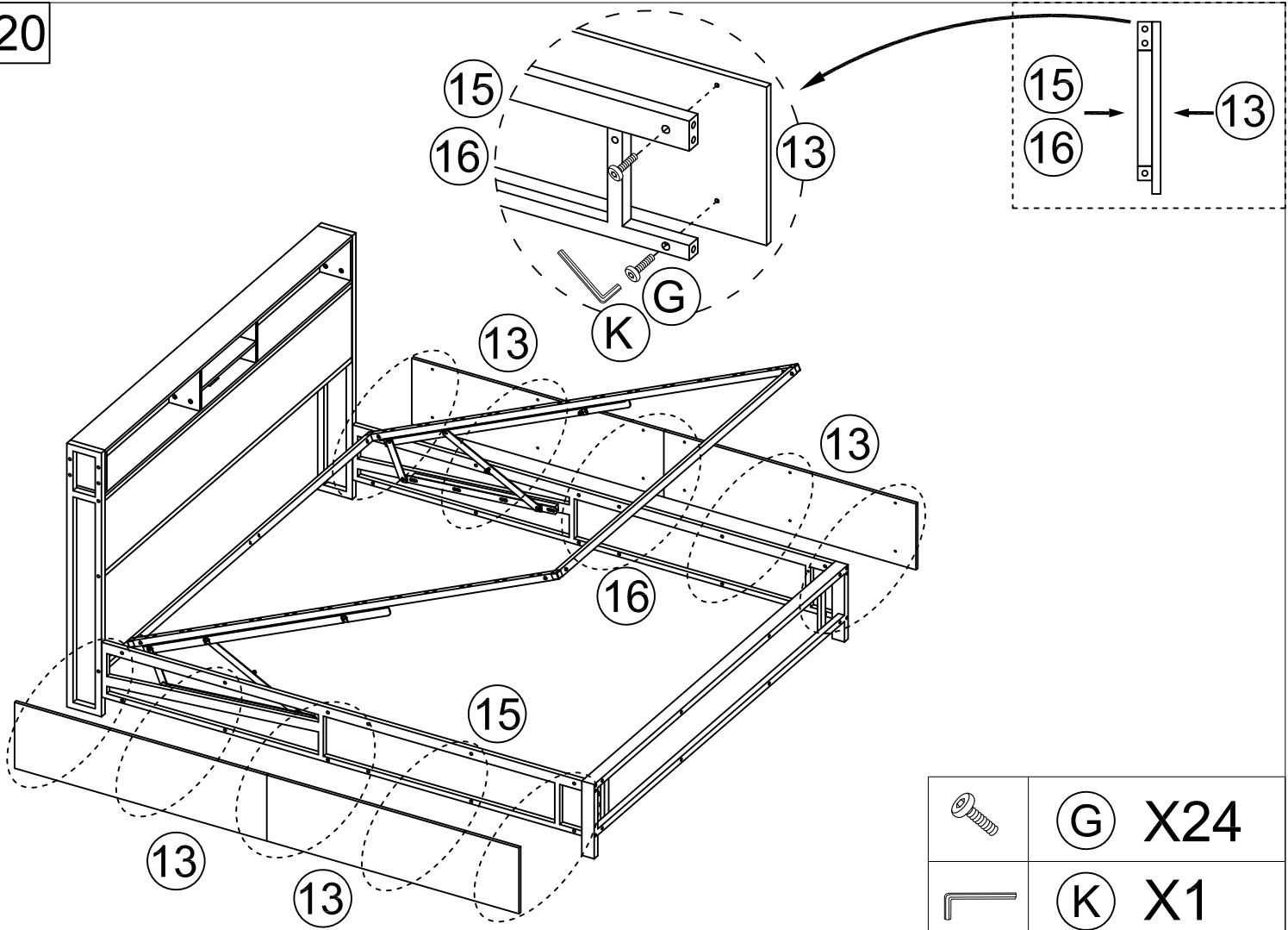
18





19

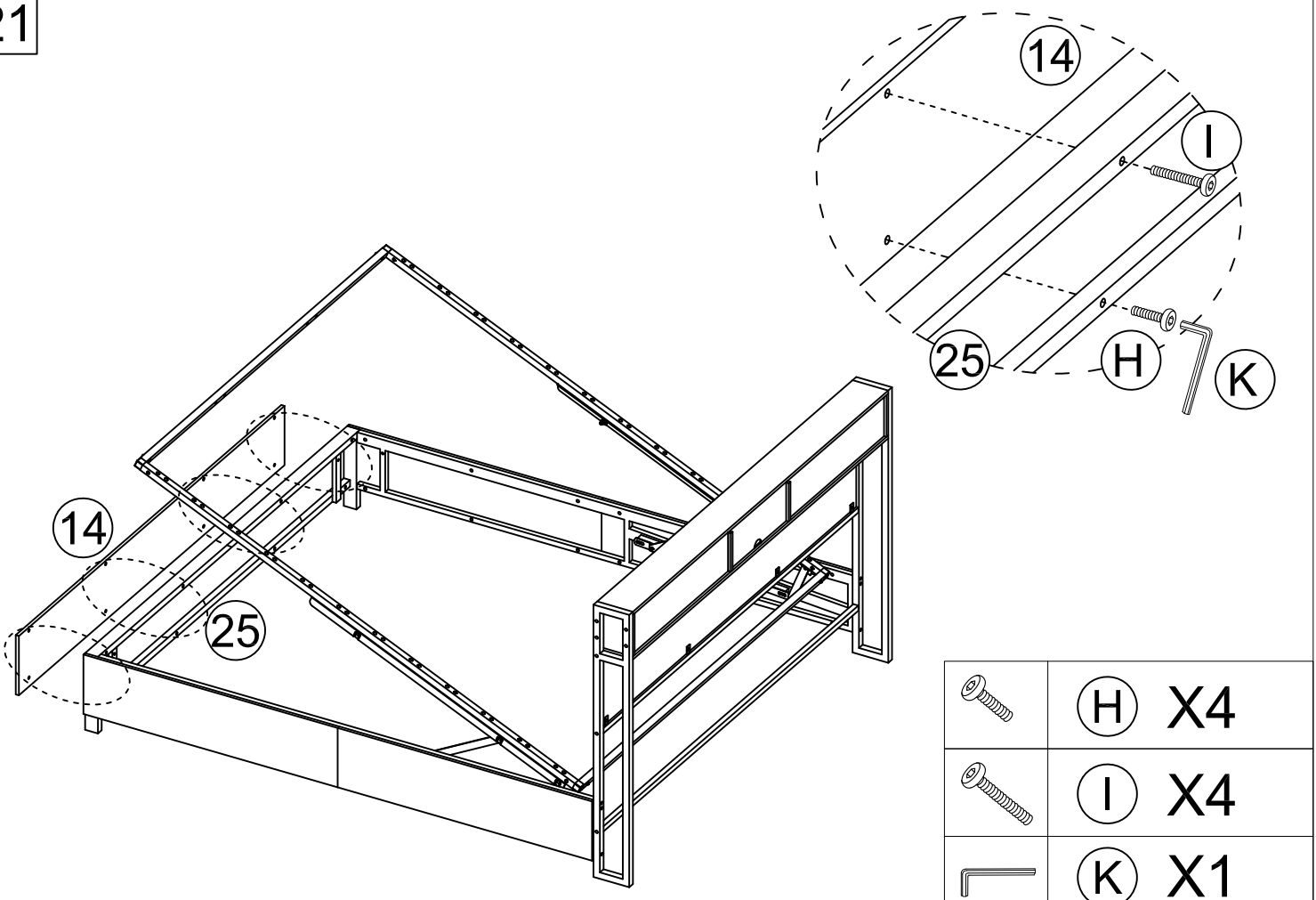





20



	<b>G</b> X24
	<b>K</b> X1

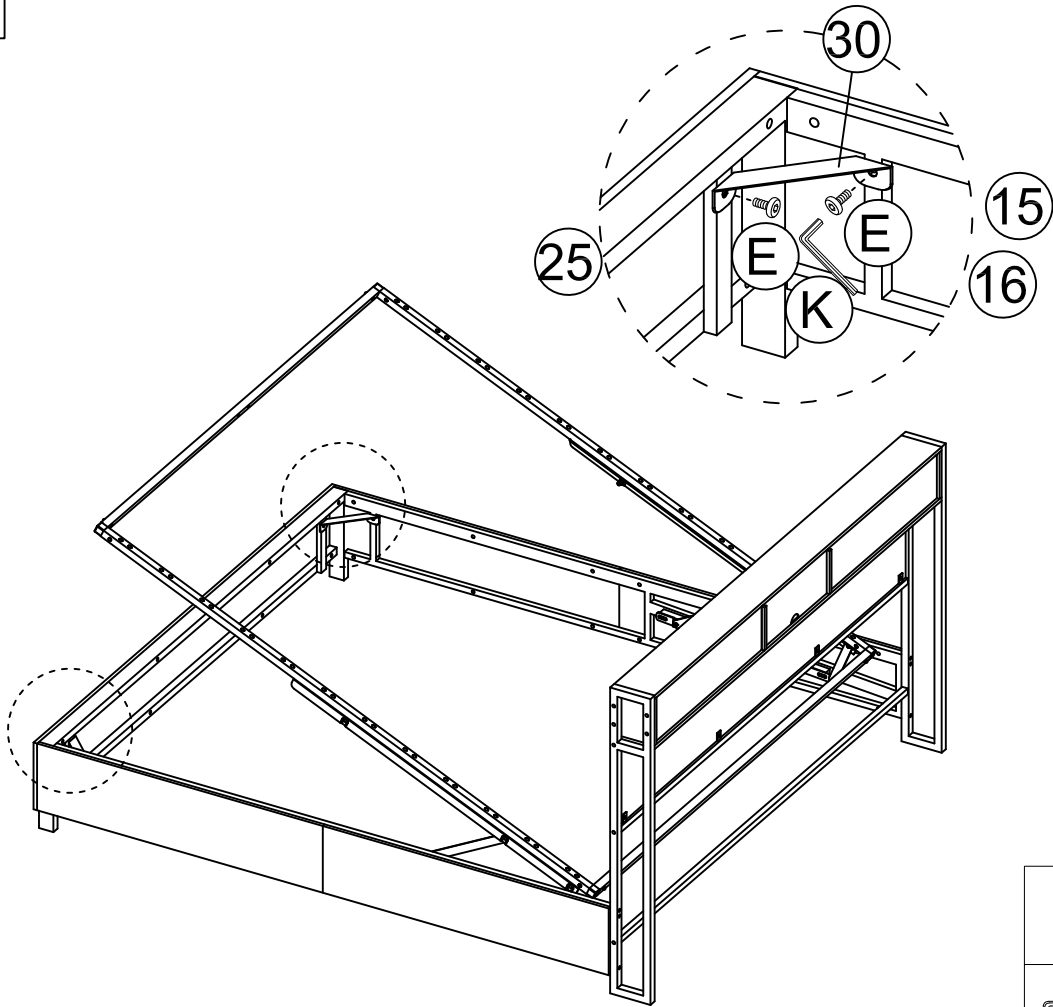
21





	<b>H</b> X4
	<b>I</b> X4
	<b>K</b> X1

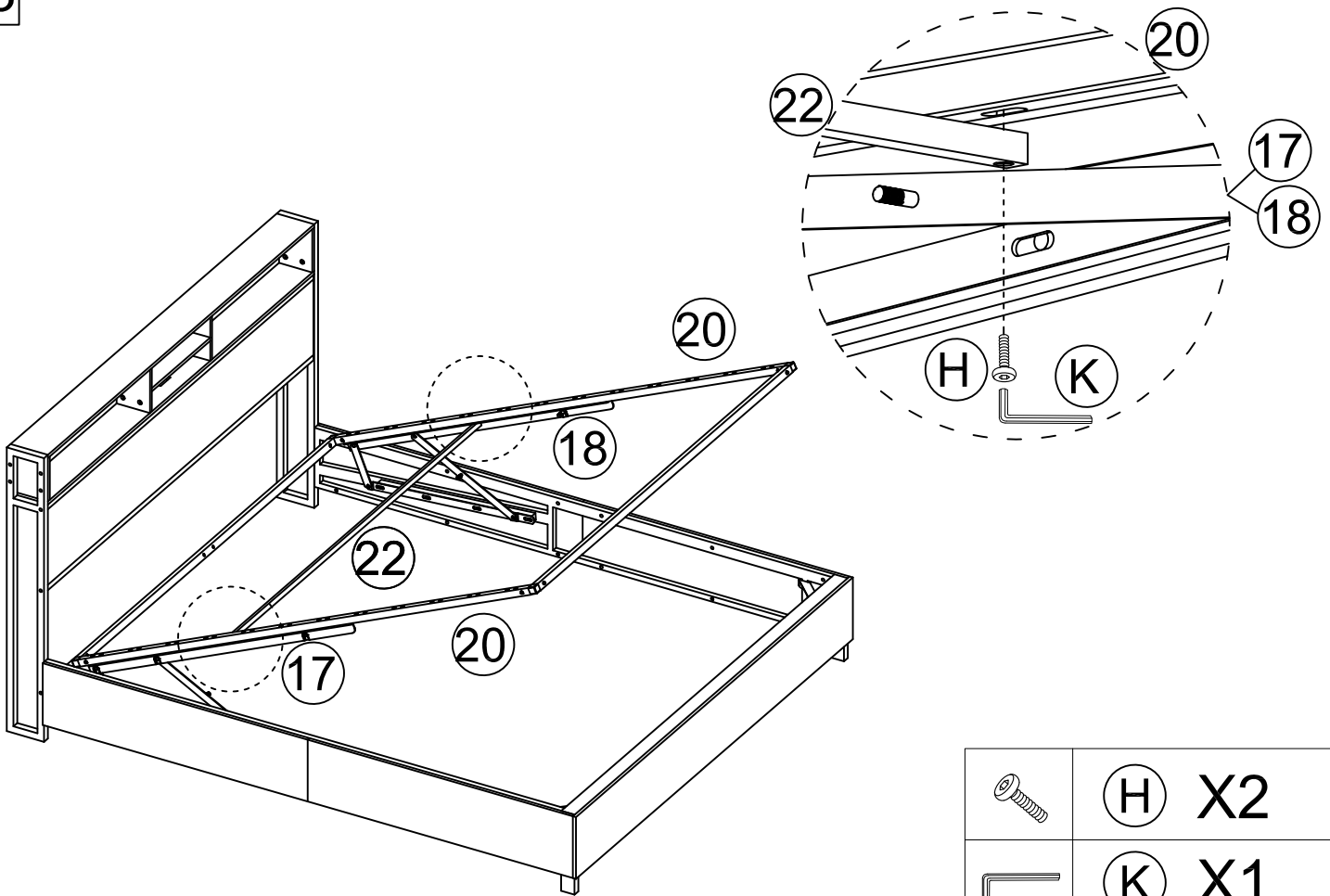




22



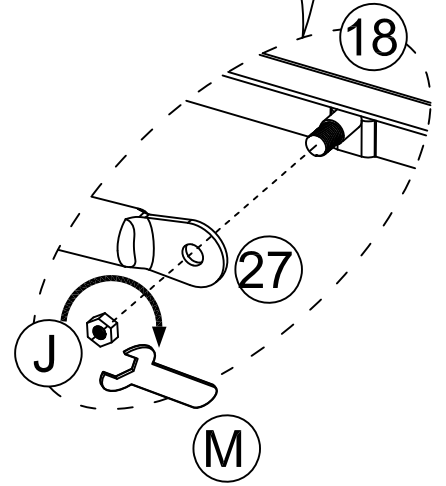
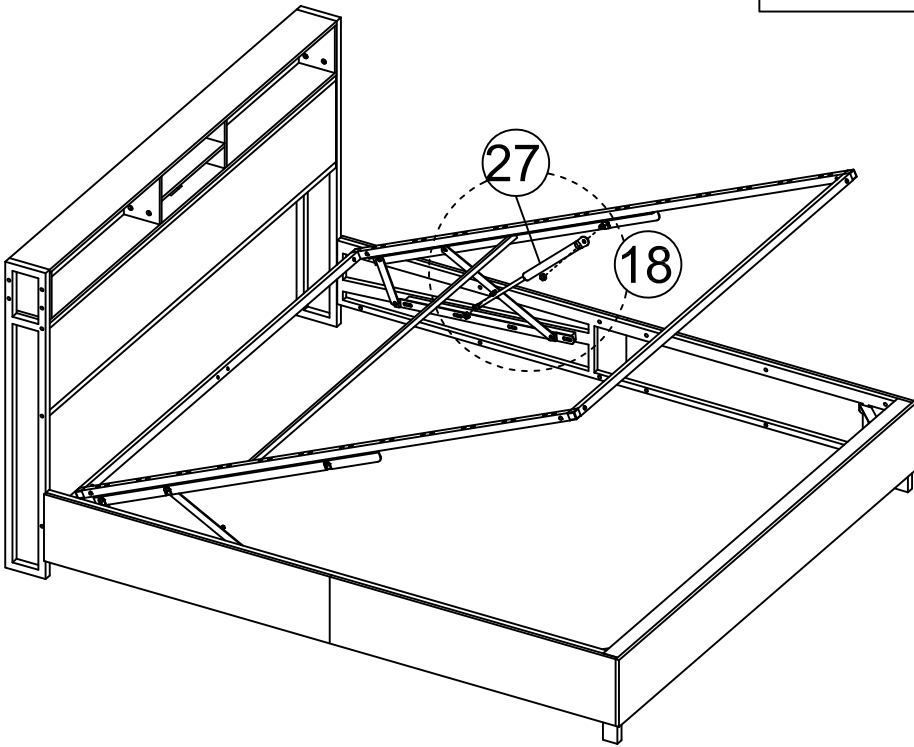
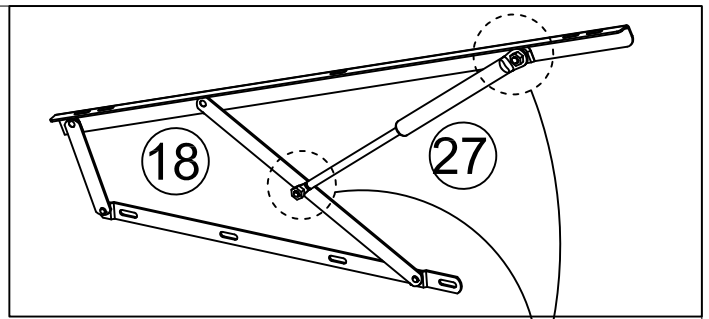
	<b>E</b> X4
	<b>K</b> X1



23



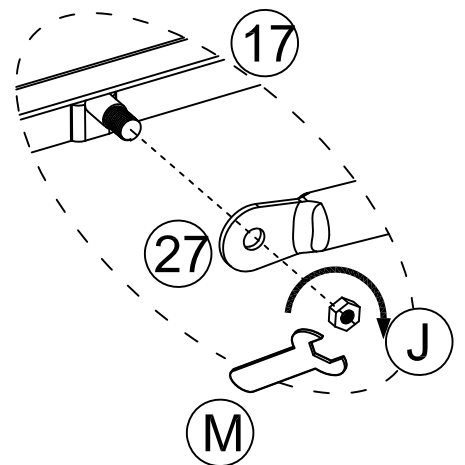
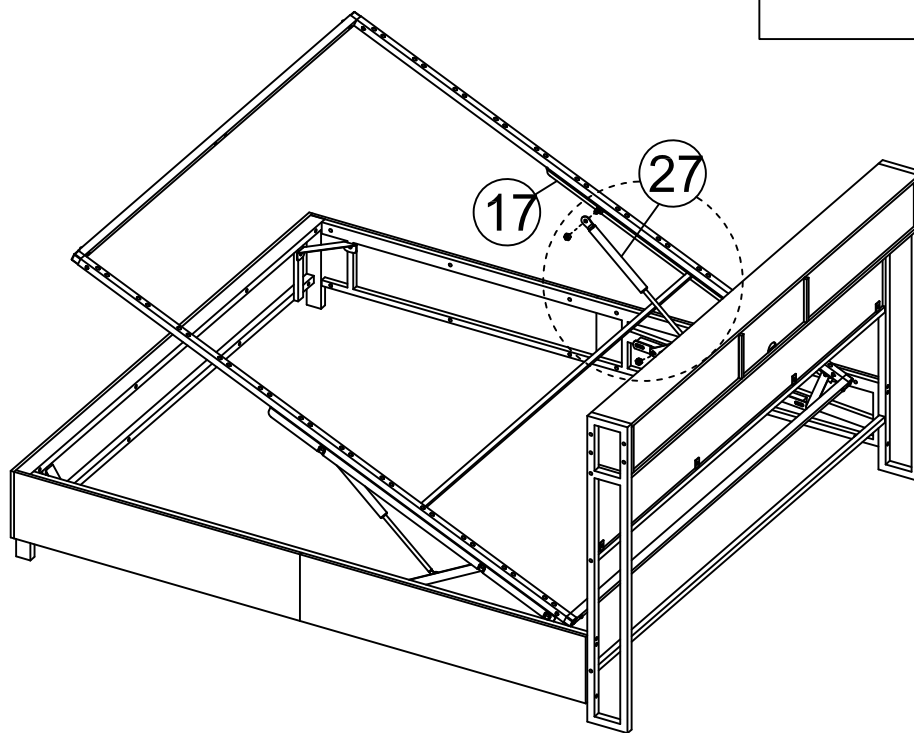
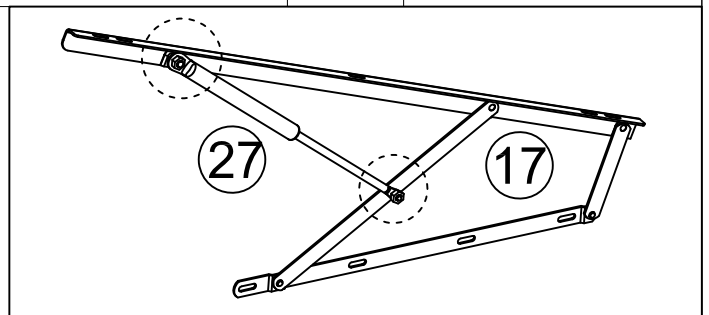
	<b>H</b> X2
	<b>K</b> X1



24



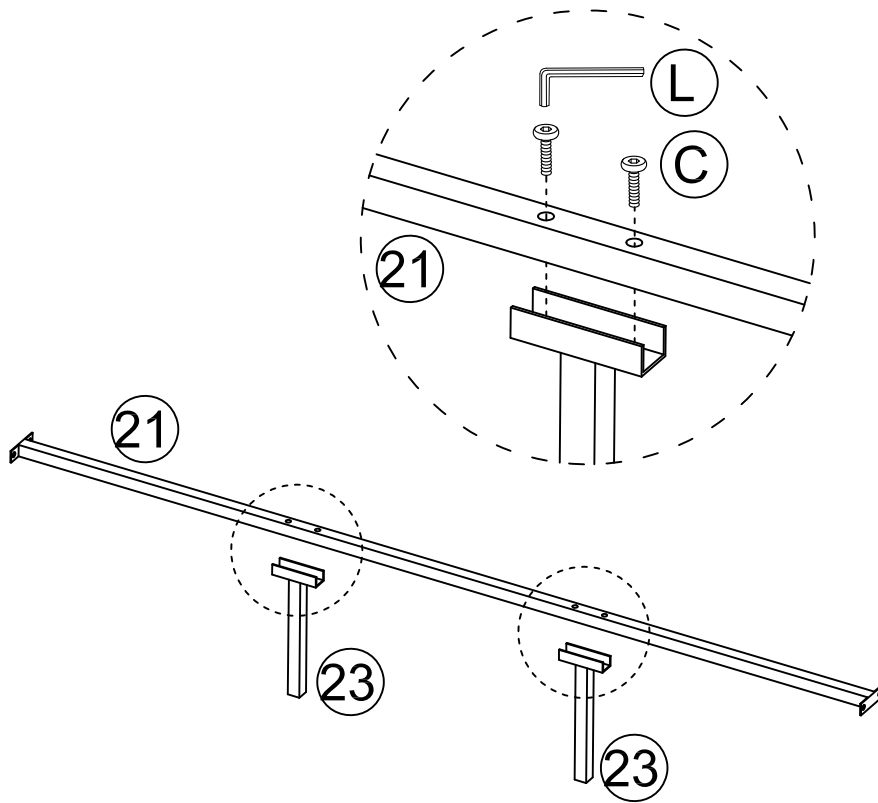
	<b>J X2</b>
	<b>M X1</b>



25



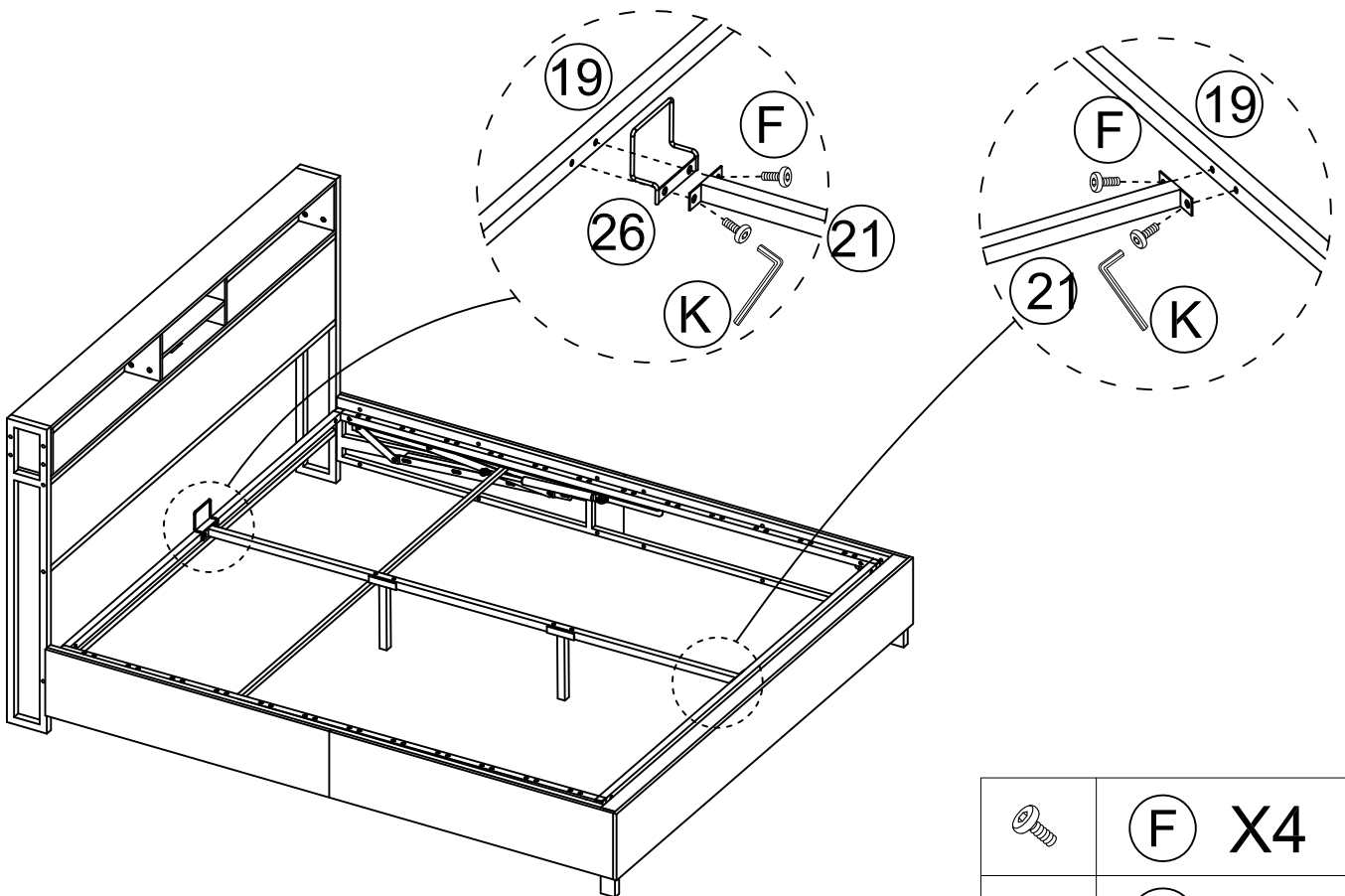
	<b>J X2</b>
	<b>M X1</b>



26



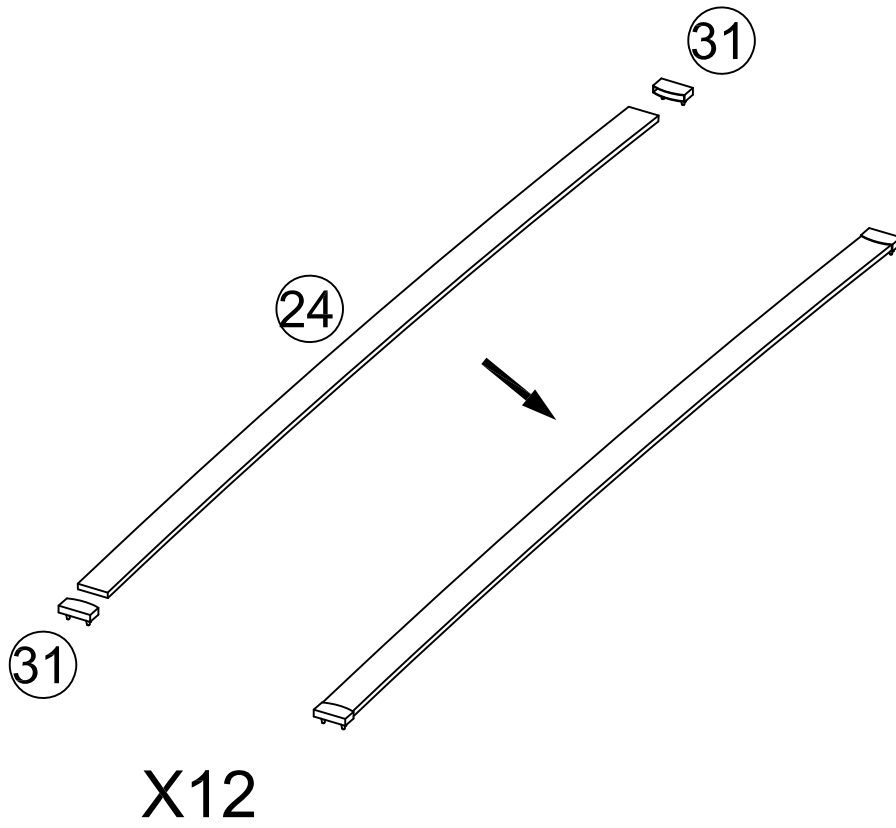
	<b>(C) X4</b>
	<b>(L) X1</b>

27

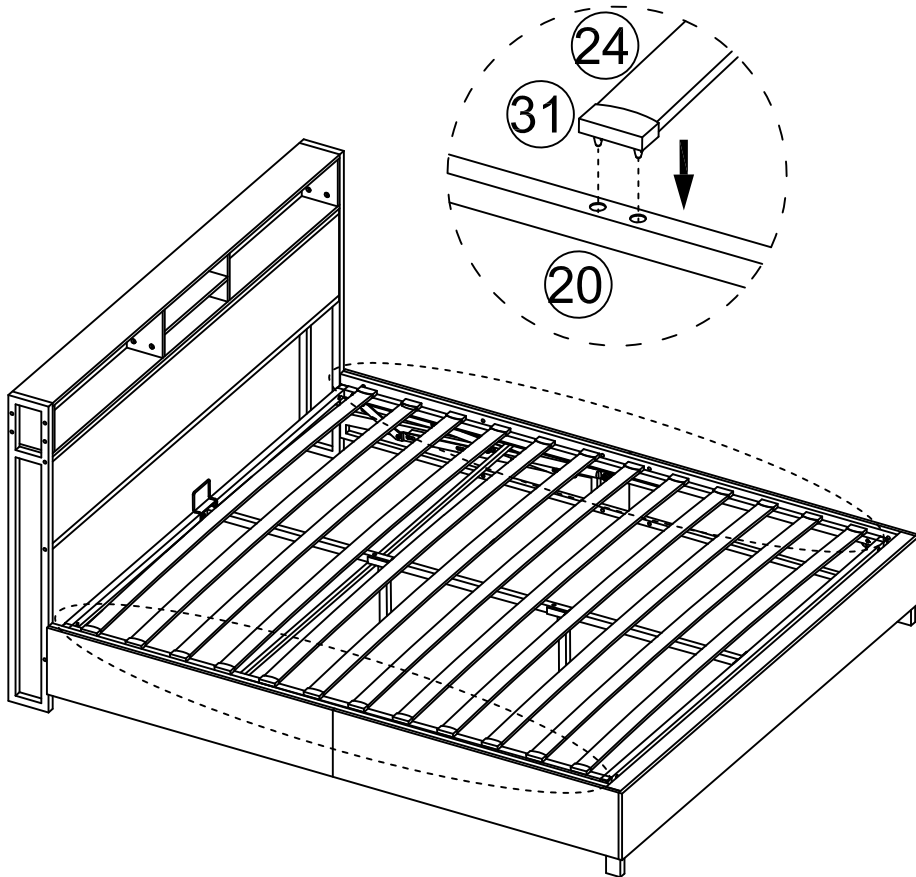


	<b>(F) X4</b>
	<b>(K) X1</b>

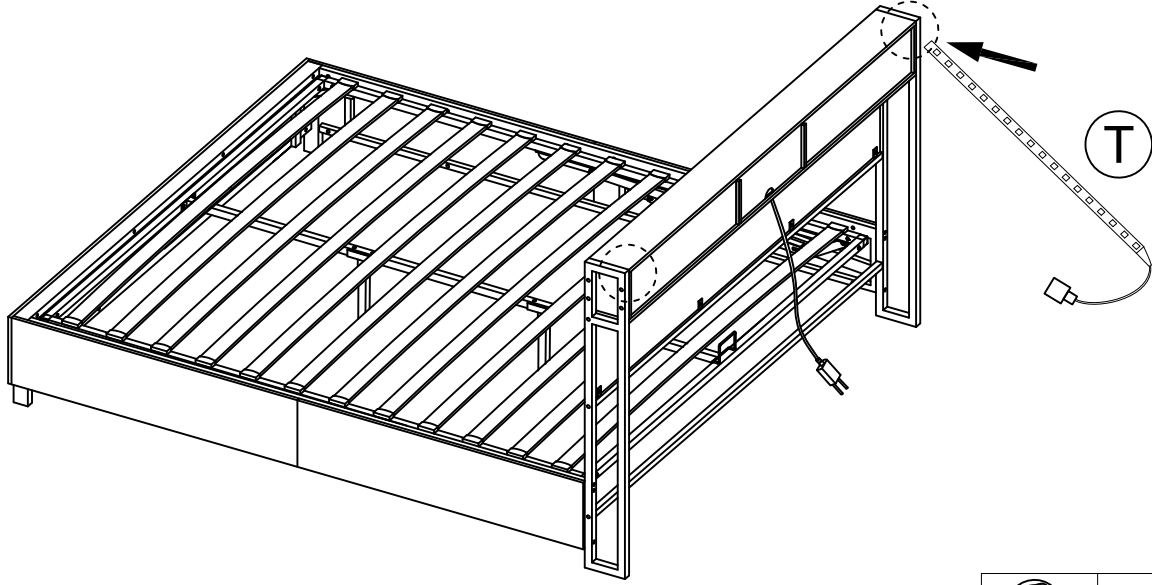
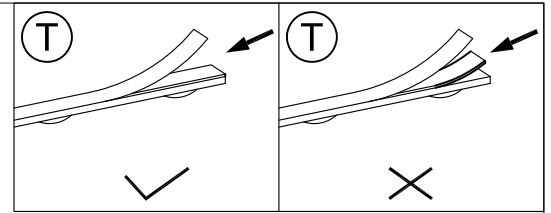
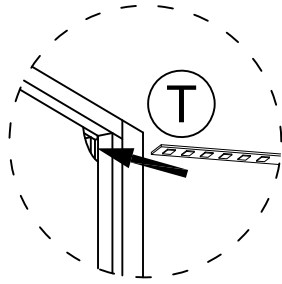
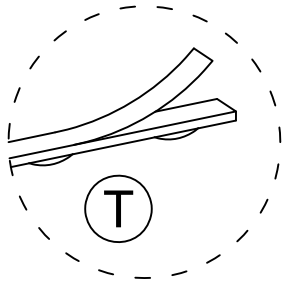
28



29

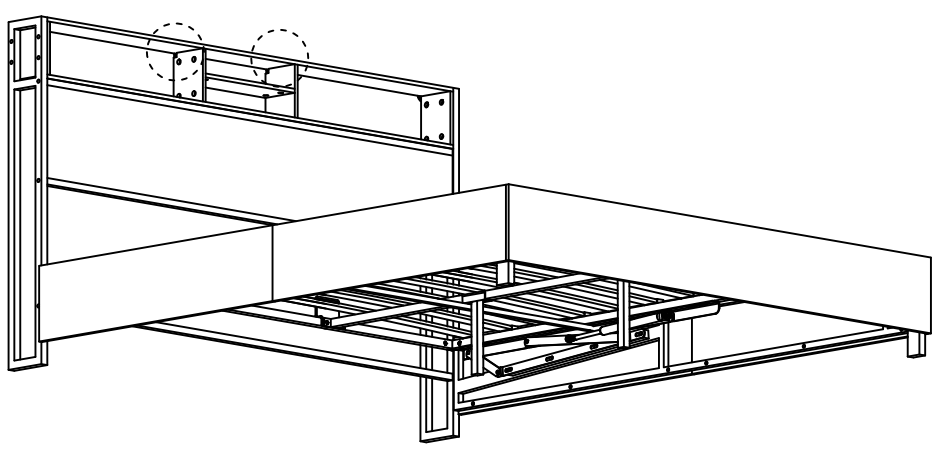
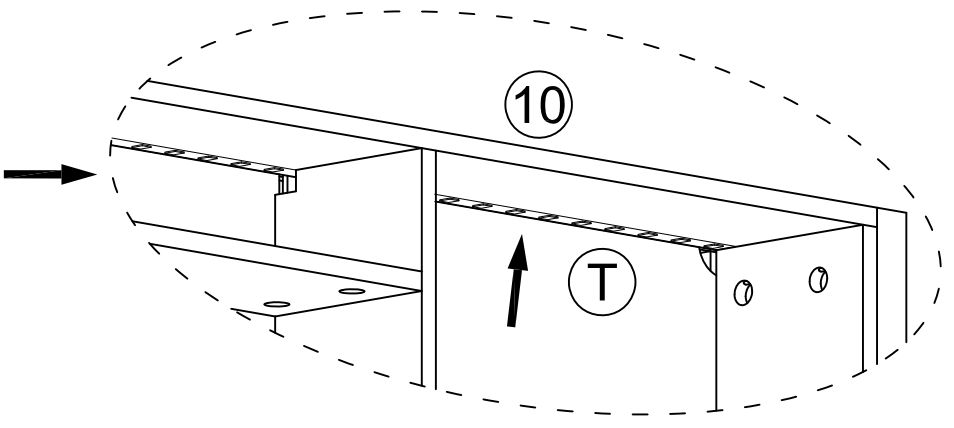
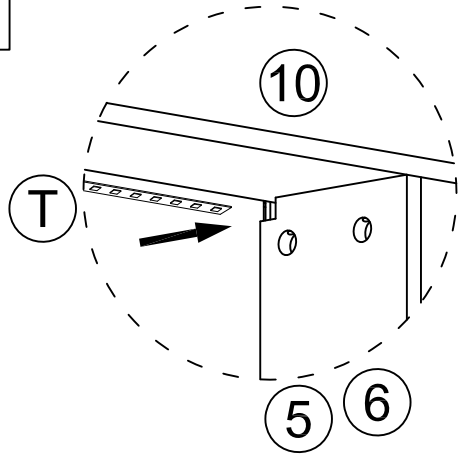


30

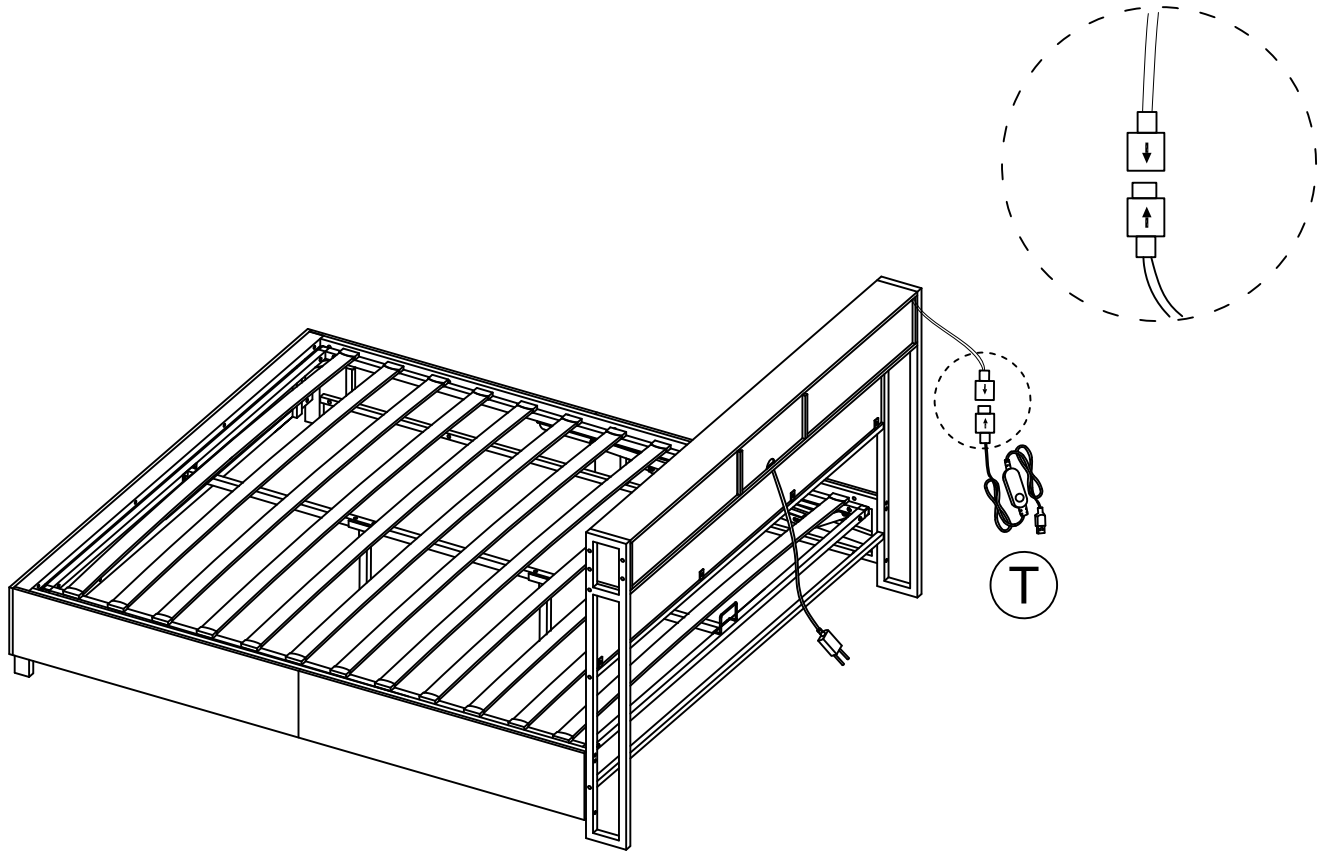



T X1

31

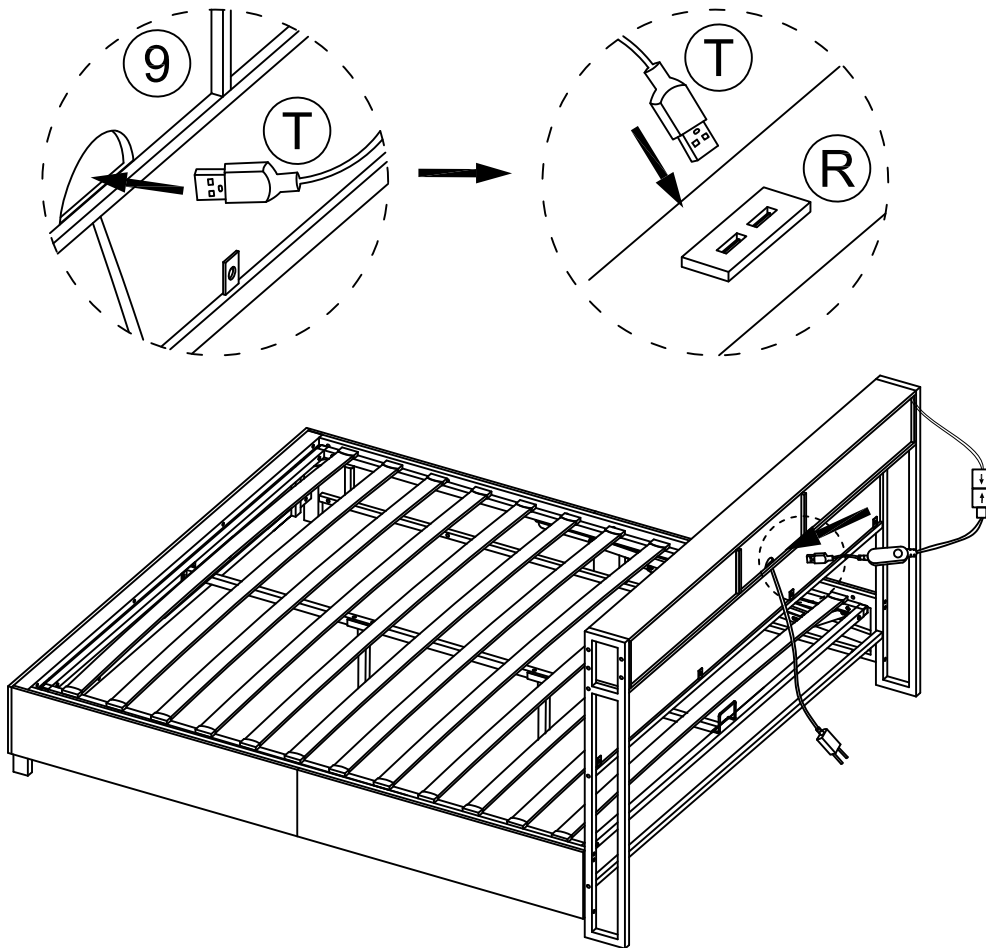


32

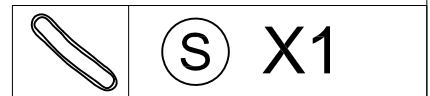
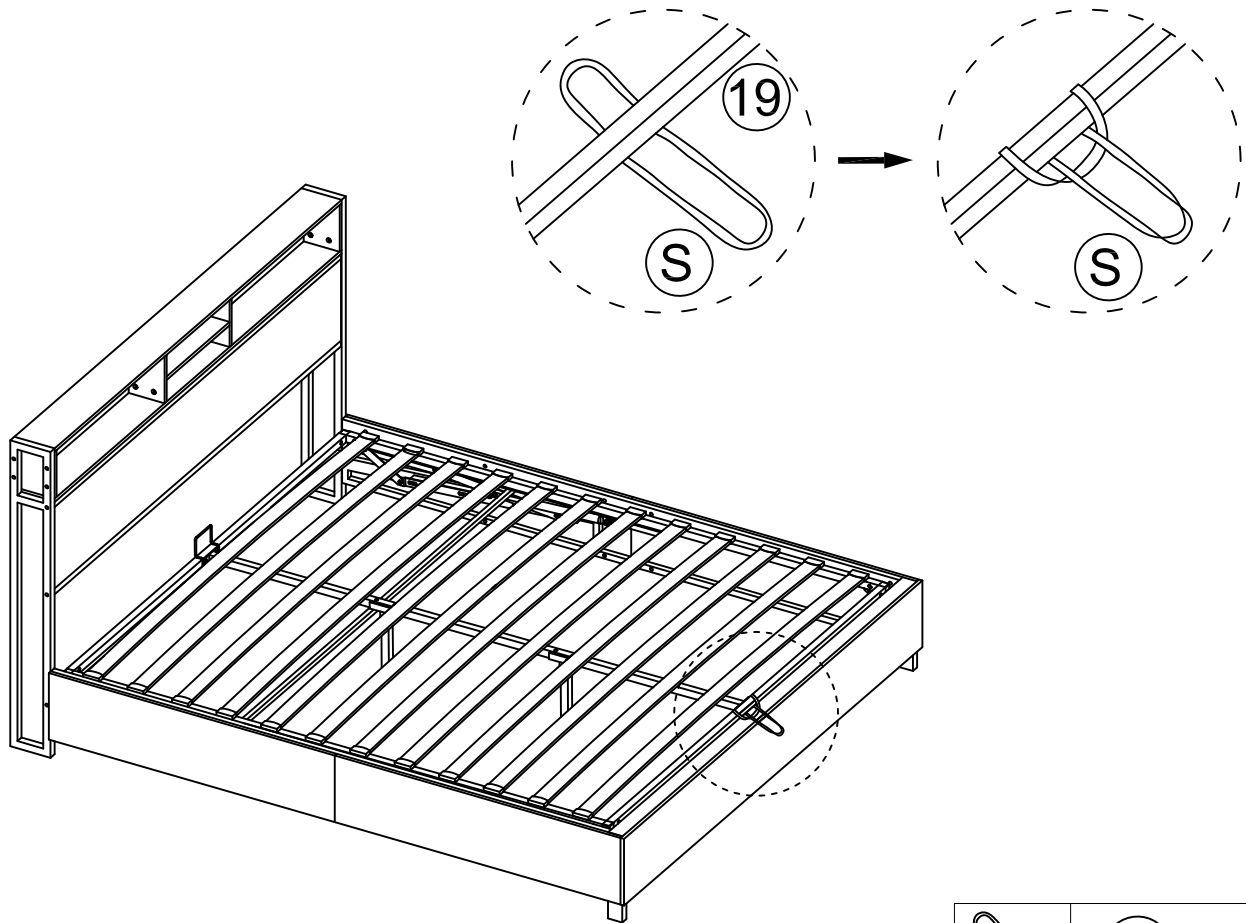


 (T) X1

33



34



35

