

# ASSEMBLY INSTRUCTION

Item Number: WF324360 / WF324362

Upholstered Bed: 90x200

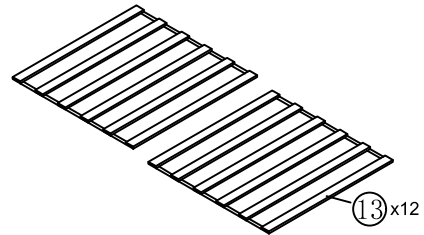
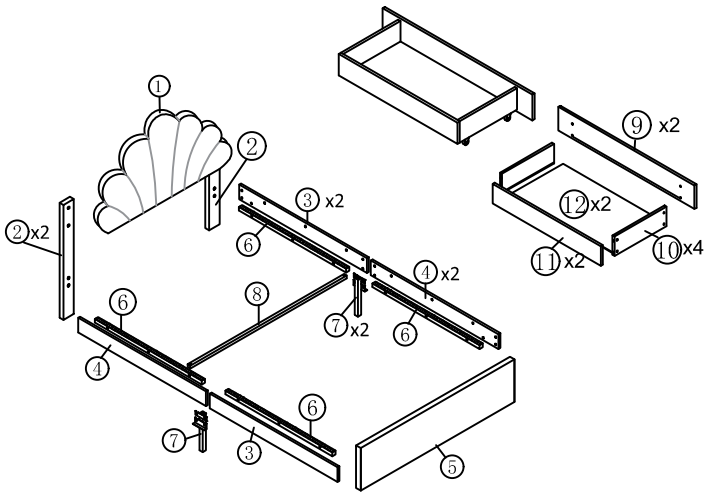
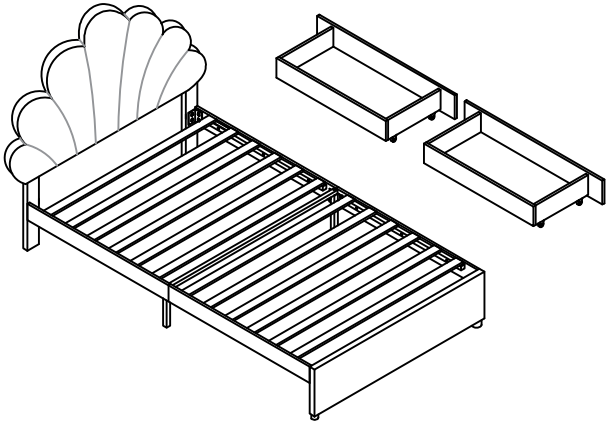
## TIPS

1. This product is divided into 2 parcels for delivery. They may not arrive at the same time. Please wait patiently.

2. Please read the instructions fully before assembly. These instructions include important information which could ensure correct assembly. We have been working on providing high quality products for you. However, in the rare instance that your product is defective, missing parts or there are some issues, please don't hesitate to contact our customer service to submit parts requirements, assembly suggestion, or warranty claims, and we will give the best solution as soon as possible. If necessary, we need you to provide some more clear pictures of the issue.

3. Insert the screws in holes and tighten the screws, but not too tight, 70%~80% is ok, finally tighten all the screws. If some issues happened that some screws can not target to the hole or some parts are difficult to install, please adjust the tightness of the screws.

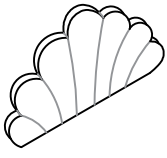

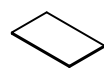
4. 2 people are recommended to finish



Parts List			Hardware List		
NO	ITEM	QTY	NO	ITEM	QTY
1	Head board	1	A	Allen Key 	1
2	Head board legs	2	B	Bolts (M8x45mm) 	4
3	Siderails	2	C	Bolts (M8x18mm) 	26
4	Siderails	2	D	Bolts (M8x40mm) 	14
5	Foot board	1	E	Stopper 	2
6	Side rails support bar	4	F	"7" Connector 	4
7	Side rails support legs	2	G	Legs 	2
8	Cross bar	1	H	Wheel 	8
9	Drawer outer board	2	I	Drawer fittings 	16
10	Drawer board	4	J	Drawer fittings 	16
11	Drawer board	2	K	Nails (M3x20mm) 	16
12	Drawer bottom board	2			
13	Slats	12			


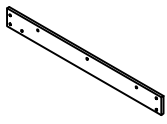
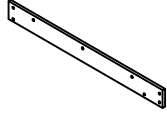
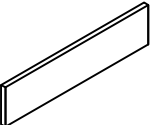
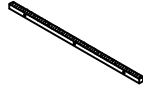

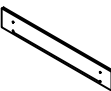
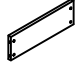
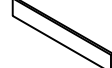
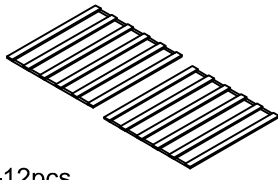
# Part List

WF324360

<p><b>1</b></p>  <p>Head board-1pc</p>	<p><b>8</b></p>  <p>Cross bar-1pc</p>	<p><b>12</b></p>  <p>Drawer bottom board-2pcs</p>
---	--	--

# Part List

Hardware List+WF324362

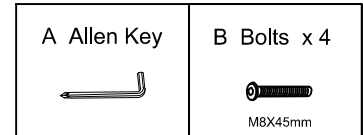
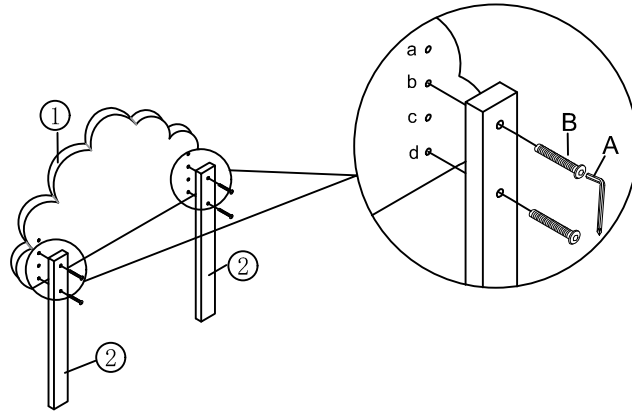
<p><b>2</b></p>  <p>Head board legs-2pcs</p>	<p><b>3</b></p>  <p>Side rails-2pcs</p>	<p><b>4</b></p>  <p>Side rails-2pcs</p>
<p><b>5</b></p>  <p>Foot board-1pc</p>	<p><b>6</b></p>  <p>Side rails support bar-4pcs</p>	<p><b>7</b></p>  <p>Side rails support legs-2pcs</p>
<p><b>9</b></p>  <p>Drawer outer board-2pcs</p>	<p><b>10</b></p>  <p>Drawer board-4pcs</p>	<p><b>11</b></p>  <p>Drawer board-2pcs</p>
<p><b>13</b></p>  <p>Slats-12pcs</p>		

Attention: Do not tighten the screws before completing the entire installation. If you have any difficulty with the installation process, please feel free to contact us.

## Step 1

Fix the Headboard legs (2) to the Headboard (1) with Bolt B by using Allen key A. You can chose the holes a and c or b and d.

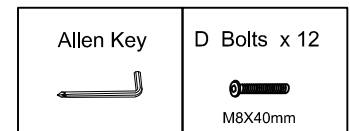
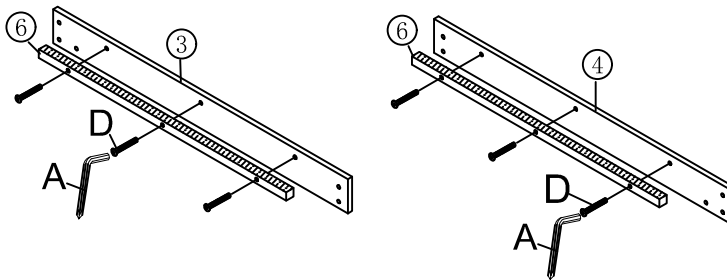
(Befestigen Sie die Kopfteilbeine (2) am Kopfteil (1) mit Bolzen B mit Inbusschlüssel A. Sie knnen die Lcher a und c oder b und d whlen.)



## Step 2 x2

Connect Siderail support bar (6) to Siderails (3) and (4) with Bolts D by using Allen key A.

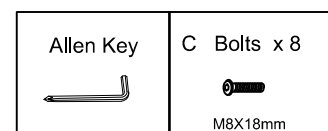
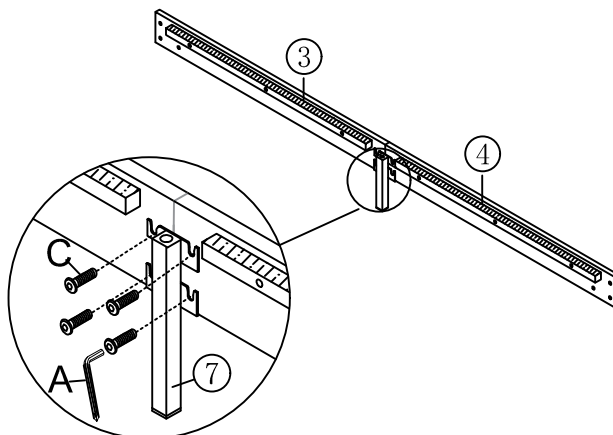
(Verbinden Sie die Seitengitter-Stützstange (6) mit den Schrauben D und dem Inbusschlüssel A mit den Seitengittern (3) und (4).)



## Step 3 x2

Fix the side rails support leg (7) to the side rail (3) and (4) with Bolts C by using Allen key A.

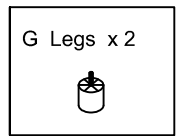
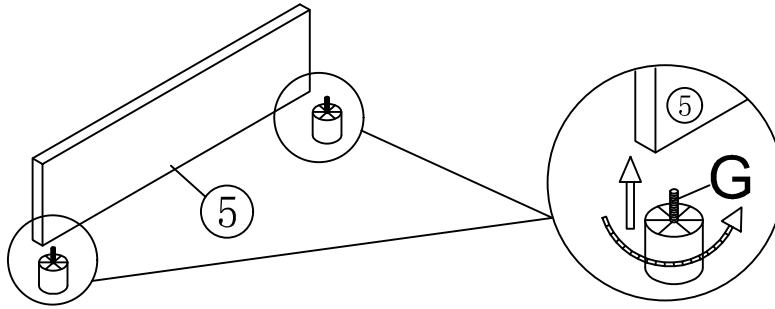
(Befestigen Sie das Seitengitter-Stützbein (7) mit den Schrauben C und dem Inbusschlüssel A an den Seitengittern (3) und (4).)



## Step 4

Fix the two legs G to the footboard ⑤.

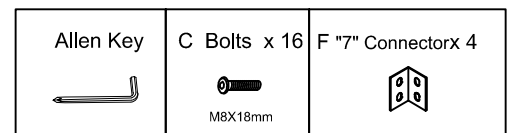
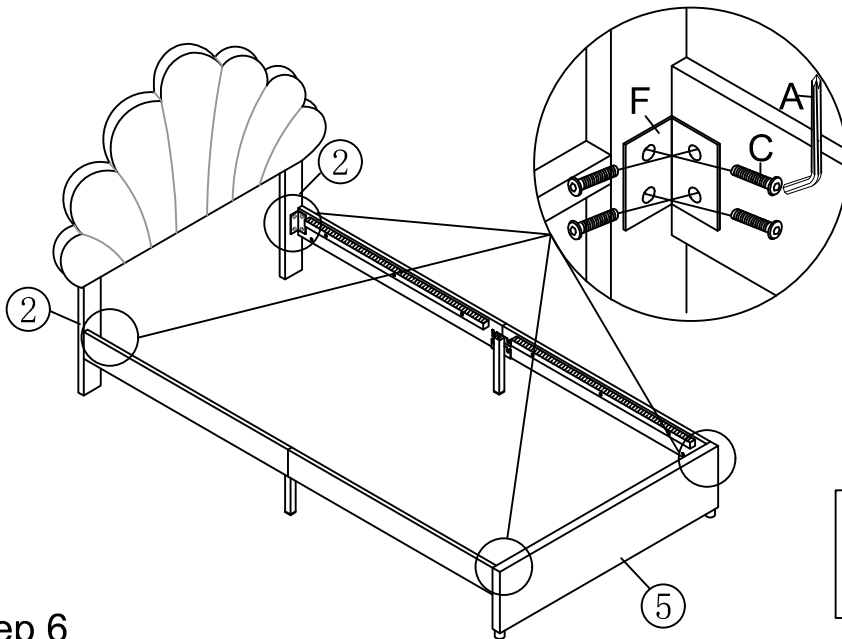
(Fixieren Sie die beiden Beine G am Trittbrett ⑤.)



## Step 5

Fix the assembled siderail to the Headboard legs ② and footboard ⑤ with Bolts C and "7" Connector F by using Allen key A.

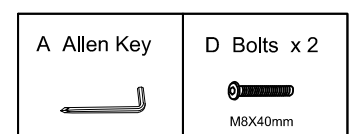
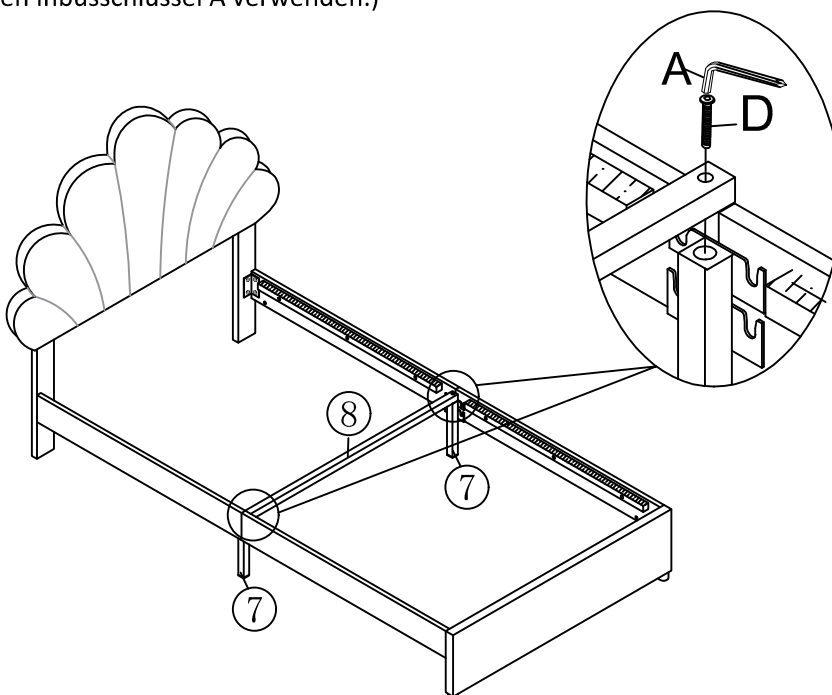
(Befestigen Sie das zusammengebaute Seitengitter mit den Schrauben C und dem „7“-Anschluss F unter Verwendung des Inbusschlüssels A an den Kopfteilbeinen ② und dem Fußteil ⑤.)



## Step 6

Fix the cross bar ⑧ to the side rails support legs ⑦ with Bolts D by using Allen key A.

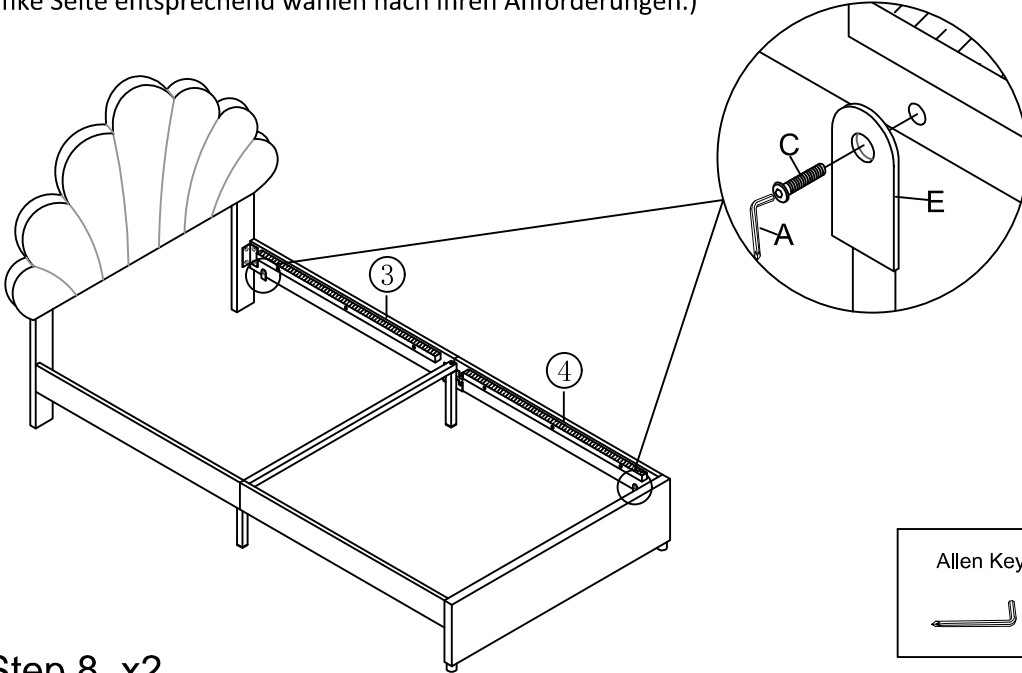
(Befestigen Sie die Stützstange ⑧ an den Stützfüße der Seitenplatte ⑦ mit den Schrauben D, indem Sie den Inbusschlüssel A verwenden.)






## Step 7

Fix the Stopper E To the Siderails with Bolts C by using Allen key A, you can chose right side or left side according to your requirements.

(Fixieren Sie den Stopper E an den Seitenschienen mit Schrauben C mit Inbusschlüssel A, Sie können die rechte oder linke Seite entsprechend wählen nach Ihren Anforderungen.)

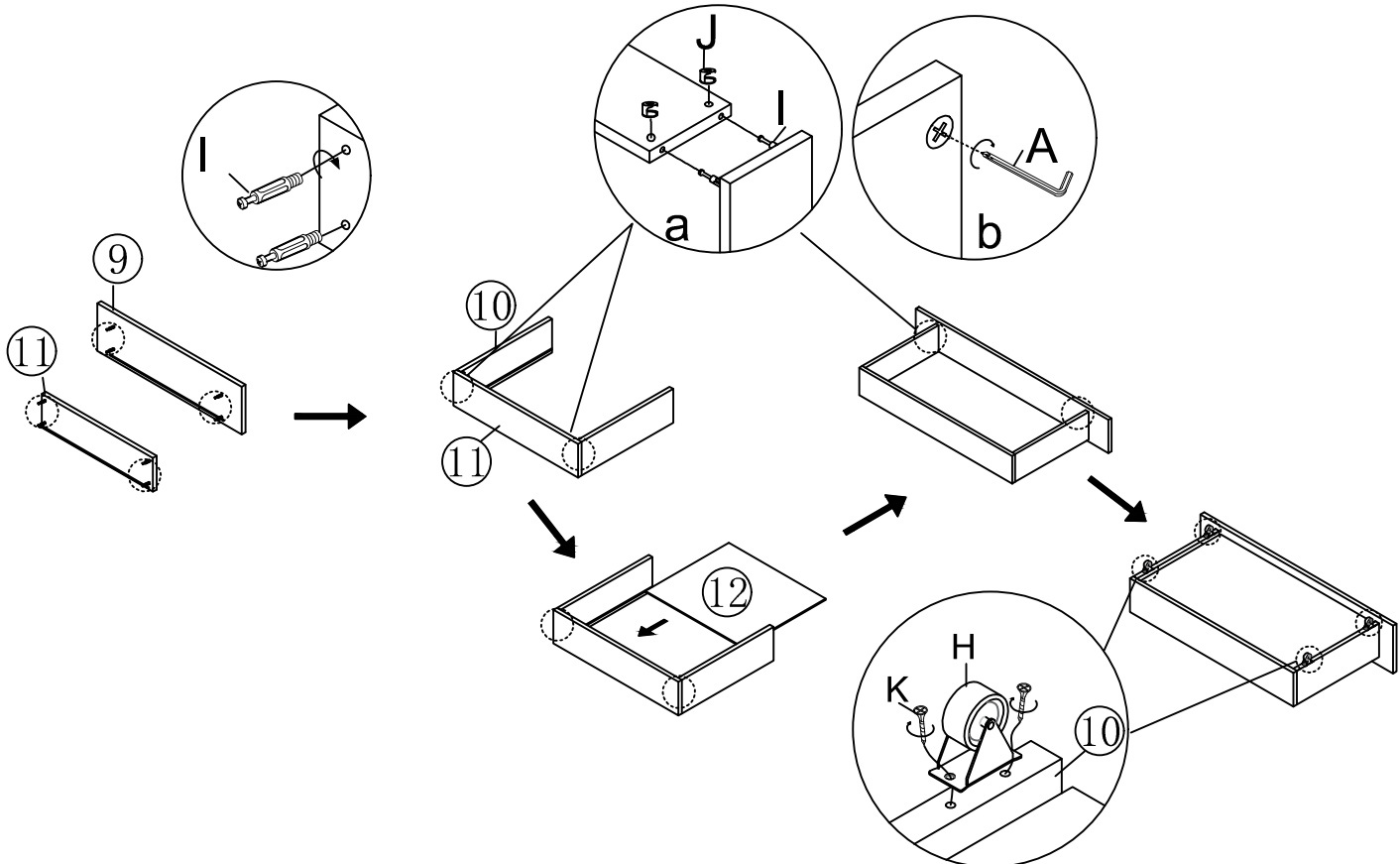







Allen Key	C Bolts x 2	E Stopper x2
	 M6X18mm	

## Step 8 x2

Assembled the Drawer with Drawer fittings I and J. Fix the Wheel H to the Drawer board (10) with Nails K by using Electric drill or Screw driver.

(Montieren Sie die Schublade mit Schubladeneinrichtungen I und J. Fixieren Sie das Rad H an der (10) Schubladeneinrichtung mit Nägeln K mit Elektrobohrer oder Schraubendreher.)

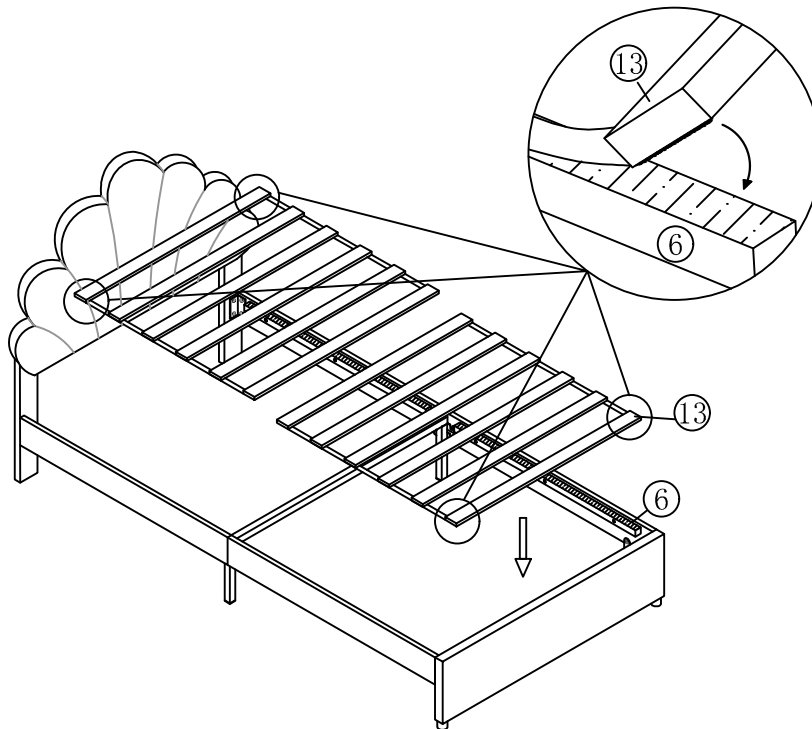


A Allen Key	H Wheel x8	I Drawer fittings x 16	J Drawer fittings x 16	K Nails x 16
				 M3X20mm

## Step 9

Fix the slats (13) to the side support bar (6) .

(Befestigen Sie die Lamellen (13) an der seitlichen Stützstange (6) .)



## Step 10

Push the two drawers into the bed then assembled is finished, now please tighten all hard ware and enjoy the bed.

(Schieben Sie die beiden Schubladen in das Bett dann montiert ist fertig, jetzt ziehen Sie bitte alle Hartwaren fest und genießen Sie das Bett.)

